

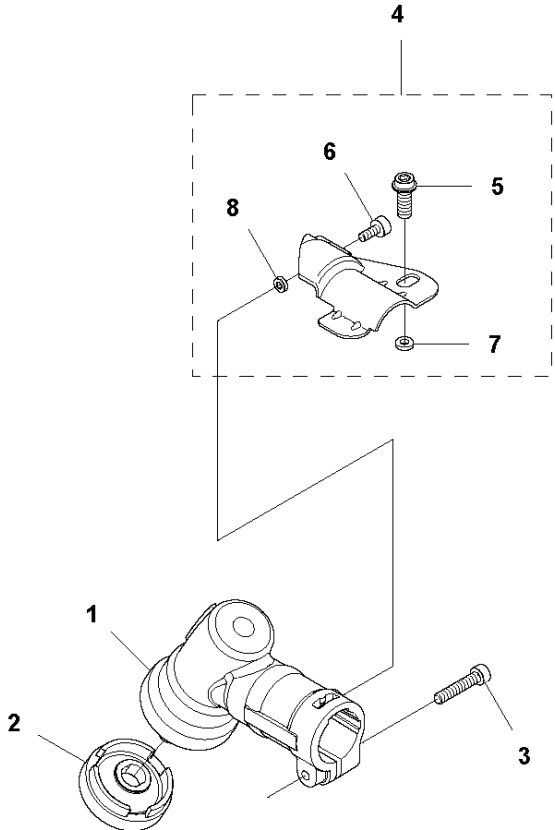


SPARE PARTS LIST

TRIMMERS/EDGERS

T22 LS, 9666319-01, 2012-01

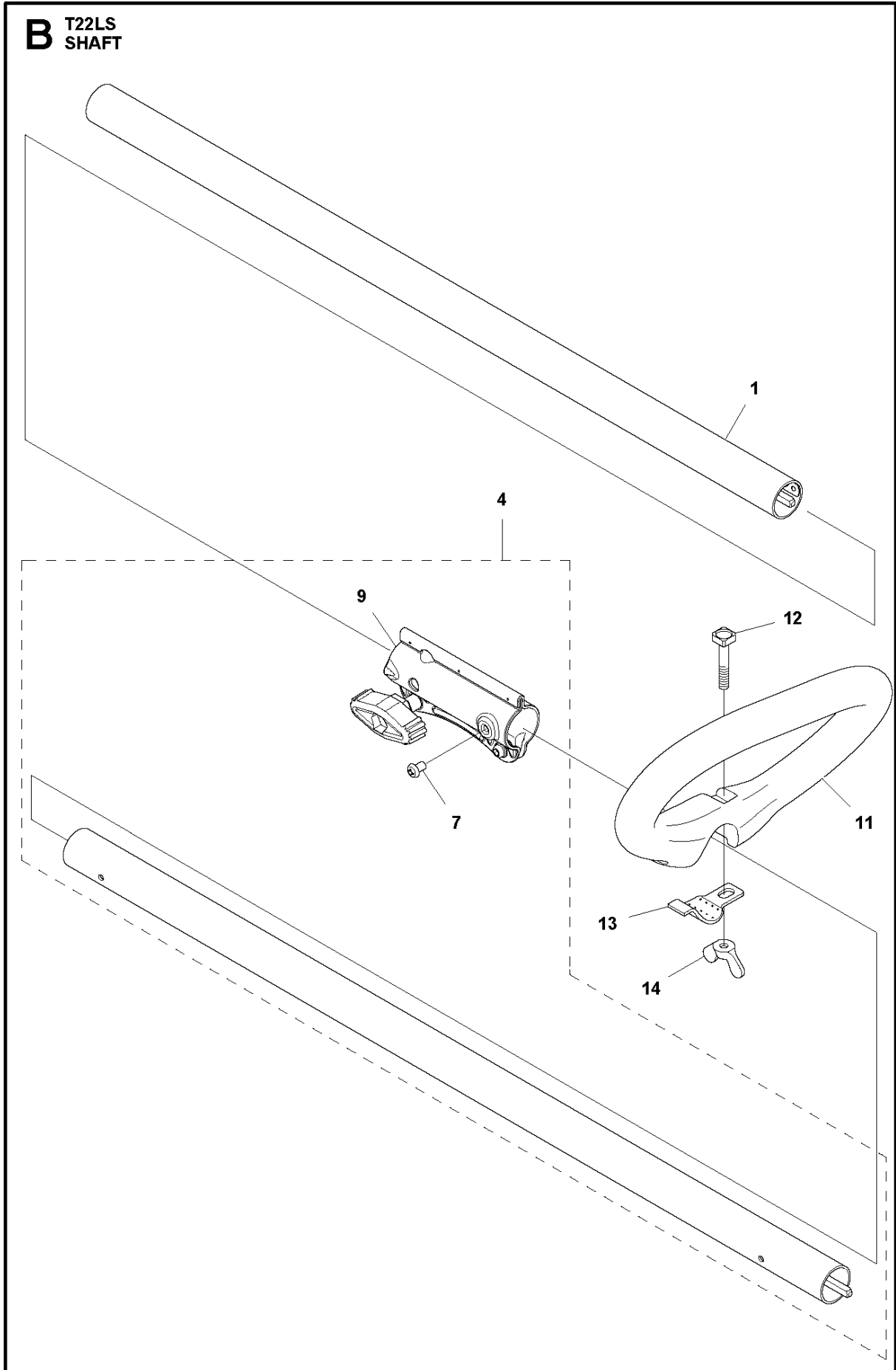
A T22LS
BEVEL GEAR



BEVEL GEAR

T22 LS, 9666319-01, 2012-01

| Ref | Part No | Description | Remark | QTY | KIT |
|-----|--------------|-----------------|--------|-----|-----|
| 1 | 578 16 00-01 | BEVEL GEAR ASSY | | 1 | 1 |
| 2 | 578 18 52-01 | CUP | | 1 | |
| 3 | 530 01 60-14 | SCREW | | 1 | |
| 4 | 575 72 57-01 | BRACKET | | 1 | |
| 5 | 522 75 19-01 | SCREW ITXSCFM | | 1 | 4 |
| 6 | 577 74 59-01 | SCREW ITXSCT | | 1 | 4 |
| 7 | 574 40 44-01 | LOCK NUT | | 1 | 4 |
| 8 | 574 03 95-01 | LOCK NUT | | 1 | 4 |

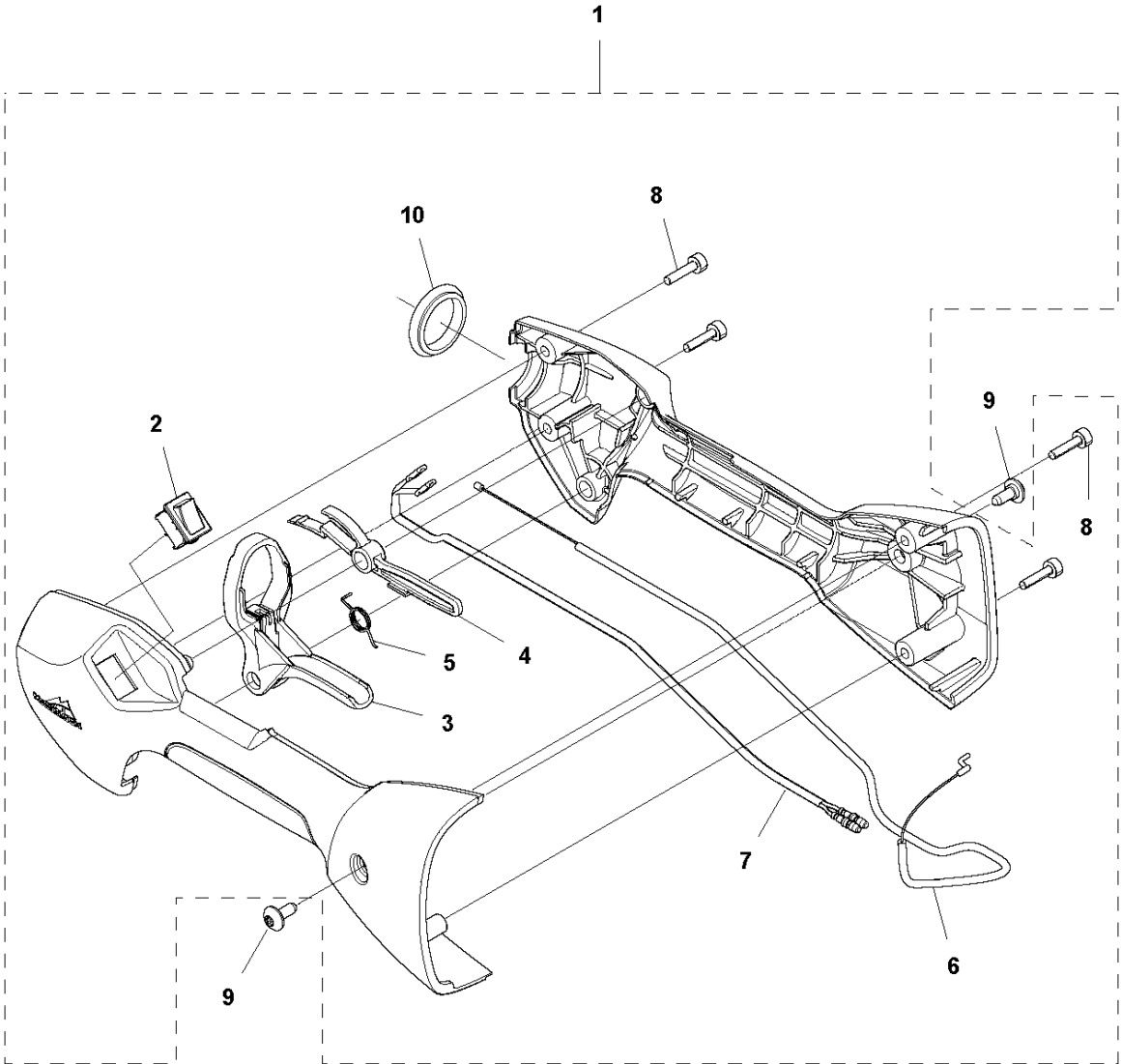


SHAFT

T22 LS, 9666319-01, 2012-01

| Ref | Part No | Description | Remark | QTY | KIT |
|-----|--------------|-------------|--------|-----|-----|
| 1 | 578 91 02-01 | TUBE | | 1 | |
| 4 | 578 91 00-01 | TUBE | | 1 | |
| 7 | 574 18 21-01 | SCREW | | 1 | 4 |
| 9 | 578 83 63-01 | COUPLER | | 1 | 4 |
| 11 | 574 29 02-02 | HANDLE | | 1 | |
| 12 | 577 24 50-01 | SCREW | | 1 | |
| 13 | 574 29 04-01 | CLAMP | | 1 | |
| 14 | 577 24 49-01 | WING NUT | | 1 | |

C T22LS
THROTTLE CONTROLS

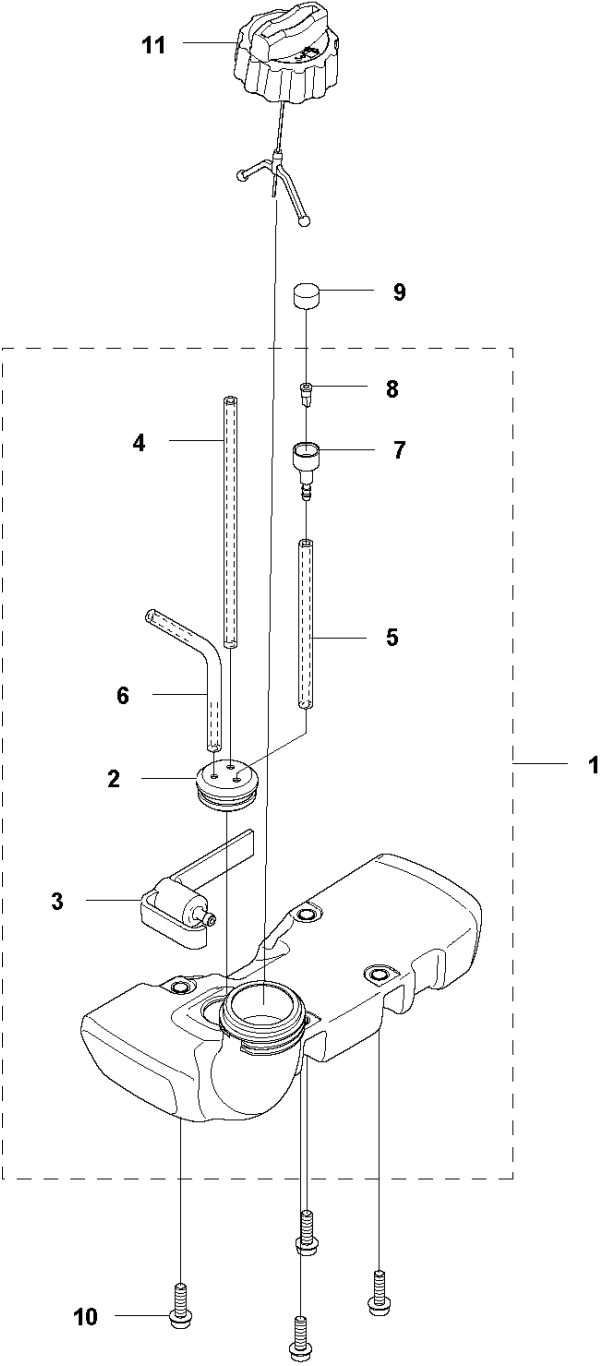


THROTTLE CONTROLS

T22 LS, 9666319-01, 2012-01

| Ref | Part No | Description | Remark | QTY | KIT |
|-----|--------------|-----------------------|--------|-----|-----|
| 1 | 574 19 31-01 | HANDLE ASSY | | 1 | |
| 2 | 575 31 58-01 | STOP SWITCH | | 1 | 1 |
| 3 | 574 19 29-01 | TRIGGER | | 1 | 1 |
| 4 | 574 19 28-01 | THROTTLE LOCKOUT | | 1 | 1 |
| 5 | 576 85 17-01 | SPRING | | 1 | 1 |
| 6 | 574 48 90-02 | THROTTLE ASSY | | 1 | 1 |
| 7 | 574 48 88-01 | SHORT CIRCUIT CABLE | | 1 | 1 |
| 8 | 574 44 40-01 | SCREW ITXSCT | | 4 | 1 |
| 9 | 574 27 32-01 | SCREW ITXPANT | | 2 | |
| 10 | 574 82 44-01 | ANTIVIBRATION ELEMENT | | 1 | 1 |

D T22LS
FUEL TANK

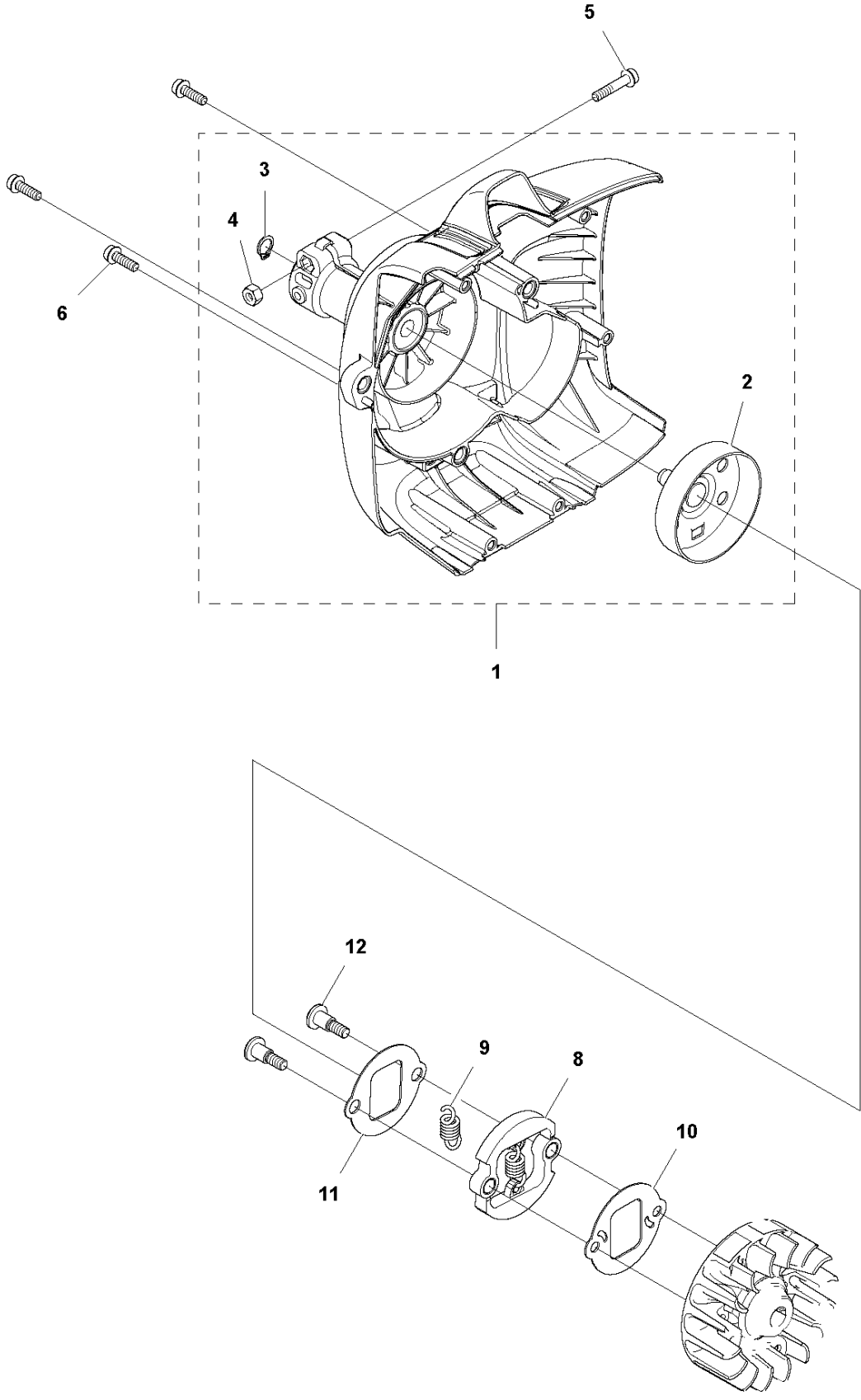


FUEL TANK

T22 LS, 9666319-01, 2012-01

| Ref | Part No | Description | Remark | QTY | KIT |
|-----|--------------|---------------|--------|-----|-----|
| 1 | 577 04 48-01 | FUEL TANK | | 1 | |
| 2 | 574 26 30-01 | GROMMET | | 1 | 1 |
| 3 | 574 60 39-01 | FUEL FILTER | | 1 | 1 |
| 4 | 574 60 02-02 | HOSE | 150mm | 1 | 1 |
| 5 | 574 60 01-01 | HOSE | 155mm | 1 | 1 |
| 6 | 578 97 56-03 | FUEL HOSE | 225mm | 1 | 1 |
| 7 | 575 48 44-01 | VALVE HOUSING | | 1 | 1 |
| 8 | 575 48 45-01 | VALVE NIPPLE | | 1 | 1 |
| 9 | 575 48 46-01 | FILTER | | 1 | |
| 10 | 525 75 51-01 | SCREW ITXSCFM | | 4 | |
| 11 | 574 26 90-01 | TANK CAP ASSY | | 1 | |

E T22LS
CLUTCH

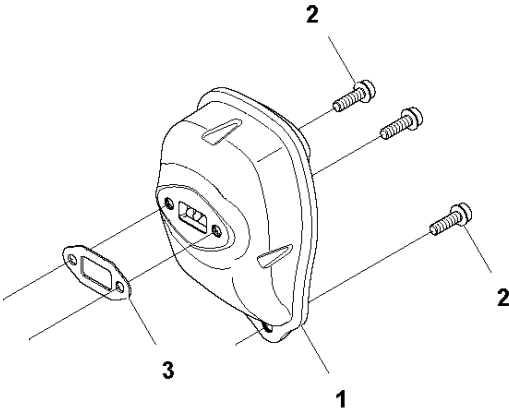


CLUTCH

T22 LS, 9666319-01, 2012-01

| Ref | Part No | Description | Remark | QTY | KIT |
|-----|--------------|-------------------|--------|-----|-----|
| 1 | 578 22 41-01 | CLUTCH COVER ASSY | | 1 | |
| 2 | 525 59 37-01 | CLUTCH DRUM ASSY | | 1 | 1 |
| 3 | 735 31 12-00 | CIRCLIP | | 1 | 1 |
| 4 | 731 23 14-01 | HEXAGON NUT | | 1 | 1 |
| 5 | 525 75 51-04 | SCREW ITXSCFM | | 1 | |
| 6 | 525 75 51-01 | SCREW ITXSCFM | | 3 | |
| 8 | 537 03 22-01 | CLUTCH ASSY | | 1 | |
| 9 | 503 81 60-01 | CLUTCH SPRING | | 1 | 8 |
| 10 | 537 04 68-02 | WASHER | | 1 | |
| 11 | 537 04 67-02 | WASHER | | 1 | |
| 12 | 503 84 29-02 | SCREW | | 2 | |

F T22LS
MUFFLER

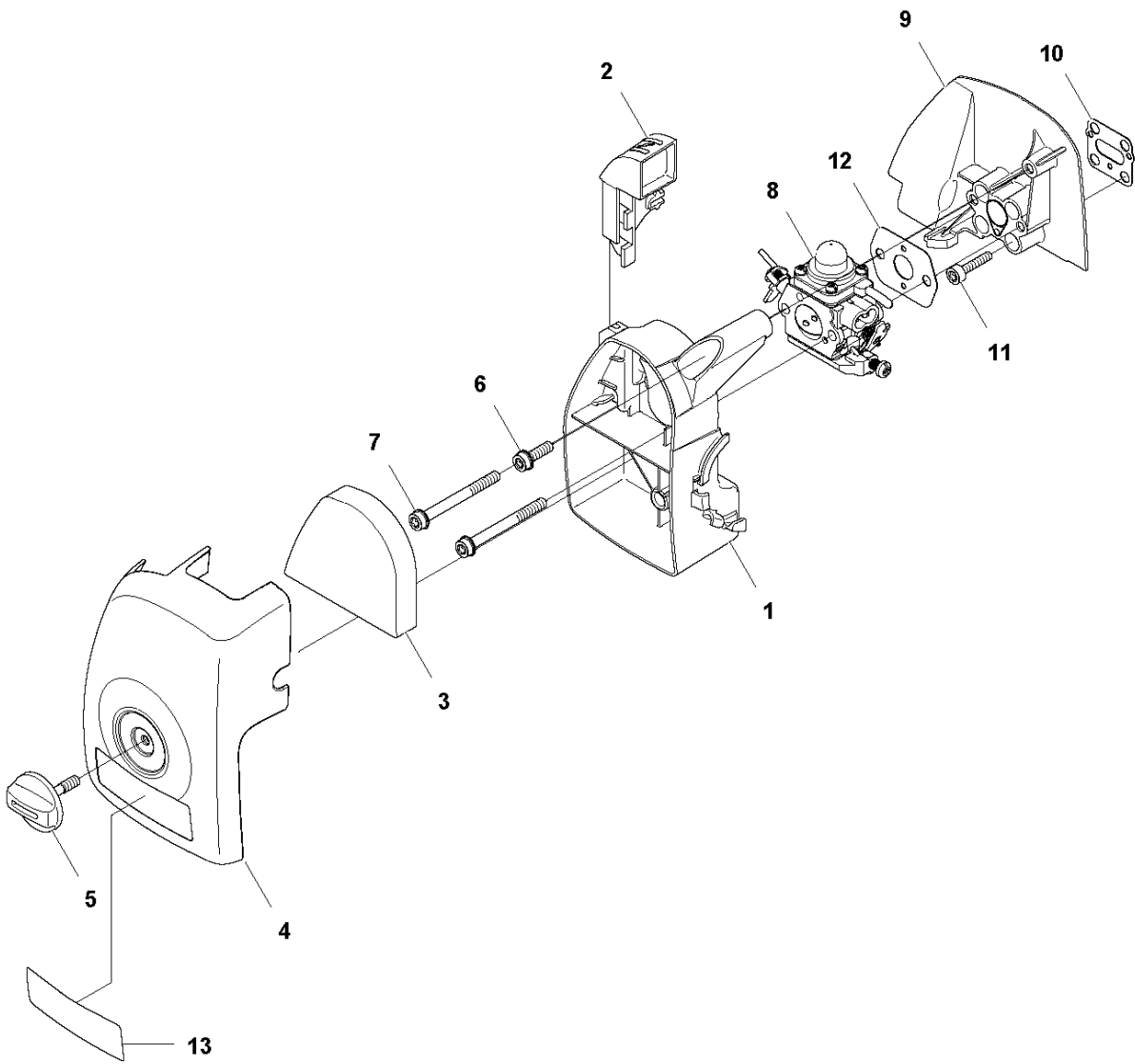


MUFFLER

T22 LS, 9666319-01, 2012-01

| Ref | Part No | Description | Remark | QTY KIT |
|-----|--------------|---------------|--------|---------|
| 1 | 523 01 16-01 | MUFFLER ASSY | | 1 |
| 2 | 525 75 51-01 | SCREW ITXSCFM | | 3 |
| 3 | 522 99 73-01 | GASKET | | 1 |

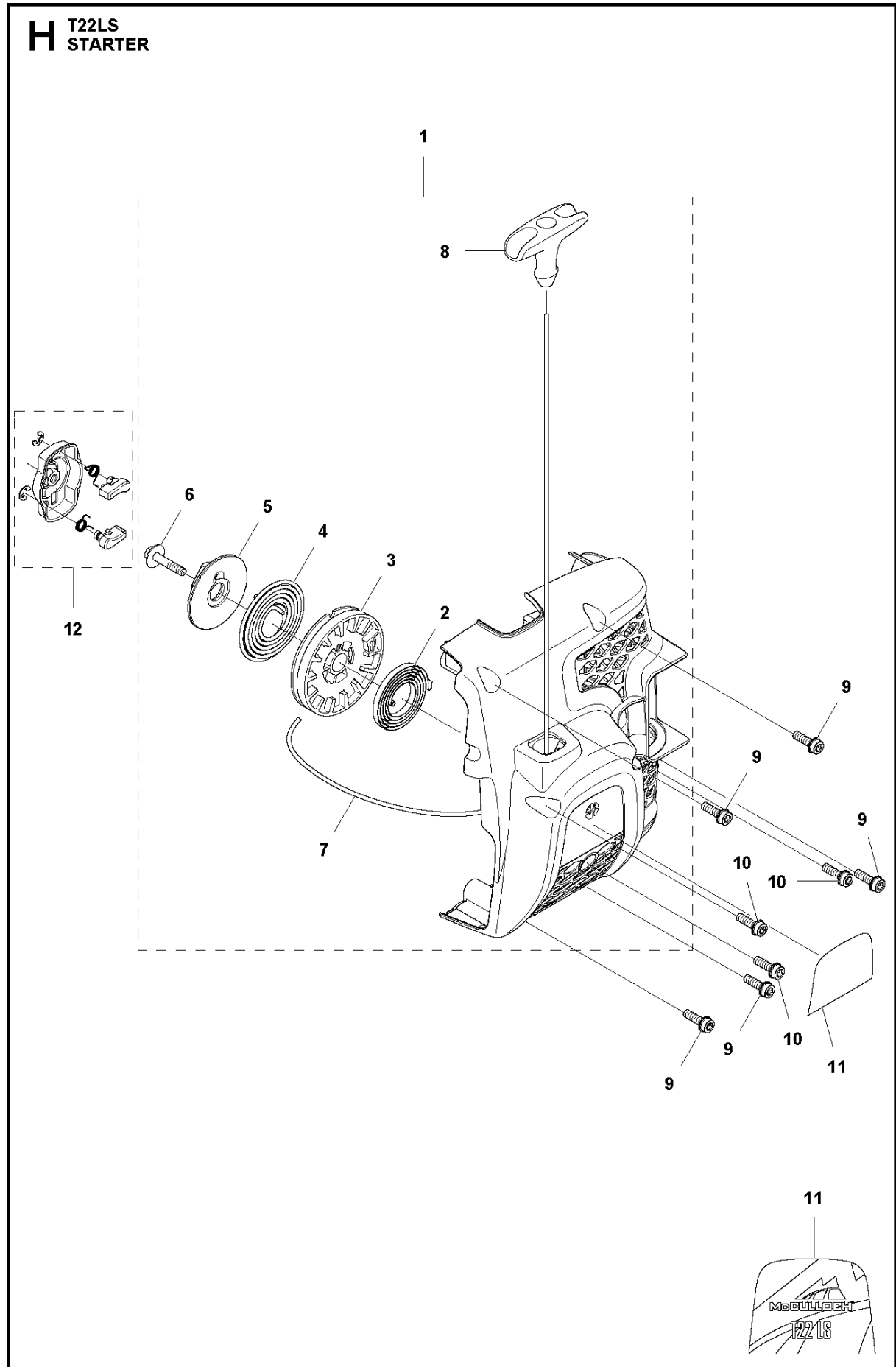
G T22LS
CARBURETOR & AIRFILTER



CARBURETOR & AIR FILTER

T22 LS, 9666319-01, 2012-01

| Ref | Part No | Description | Remark | QTY KIT |
|-----|--------------|--------------------|--------|---------|
| 1 | 576 88 73-01 | FILTER HOLDER ASSY | | 1 |
| 2 | 524 85 37-01 | CHOKE BUTTON | | 1 |
| 3 | 574 24 27-01 | AIR FILTER | | 1 |
| 4 | 578 18 83-01 | FILTER COVER | | 1 |
| 5 | 537 21 32-02 | KNOB | | 1 |
| 6 | 573 92 58-01 | SCREW ITXSCFT | | 1 |
| 7 | 573 92 58-02 | SCREW ITXSCFT | | 2 |
| 8 | 574 38 67-01 | CARBURETTOR | | 1 |
| 9 | 522 91 12-01 | INSULATION WALL | | 1 |
| 10 | 522 91 85-01 | GASKET | | 1 |
| 11 | 525 76 09-04 | SCREW ITXSCM | | 4 |
| 12 | 525 54 85-01 | GASKET | | 1 |
| 13 | 579 22 88-01 | DECAL | | 1 |

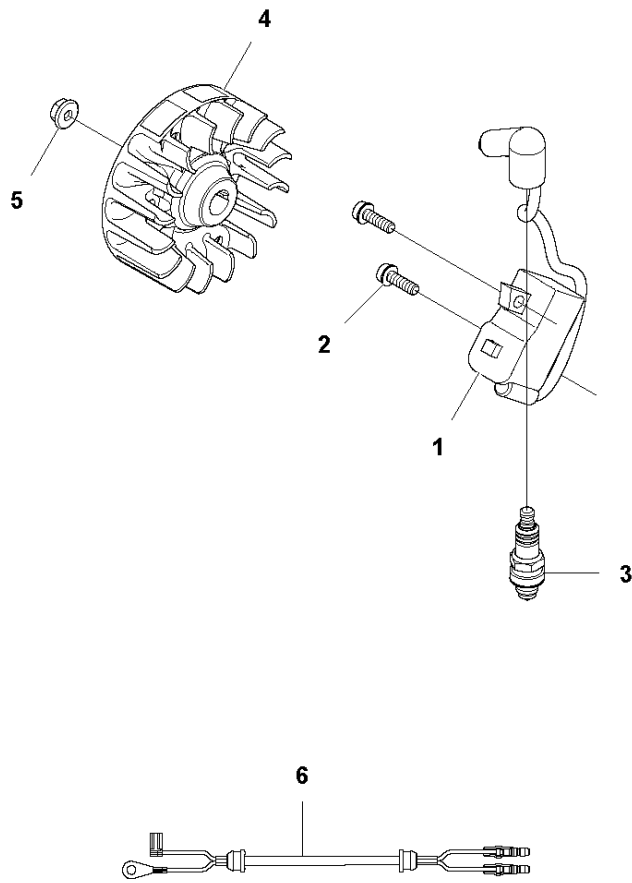


STARTER

T22 LS, 9666319-01, 2012-01

| Ref | Part No | Description | Remark | QTY | KIT |
|-----|--------------|----------------|--------|-----|-----|
| 1 | 578 22 45-01 | STARTER ASSY | | 1 | |
| 2 | 525 83 83-01 | SPRING | | 1 | 1 |
| 3 | 525 59 38-01 | STARTER PULLEY | | 1 | 1 |
| 4 | 525 59 40-01 | SPRING | | 1 | 1 |
| 5 | 525 59 39-01 | DRIVER | | 1 | 1 |
| 6 | 577 22 61-03 | SCREW ITXSCT | | 1 | 1 |
| 7 | 574 28 69-01 | STARTER CORD | | 1 | 1 |
| 8 | 577 27 16-01 | STARTER HANDLE | | 1 | 1 |
| 9 | 573 92 58-01 | SCREW ITXSCT | | 5 | |
| 10 | 525 75 51-01 | SCREW ITXSCTFM | | 3 | |
| 11 | 579 21 84-02 | DECAL | | 1 | |
| 12 | 503 87 33-05 | STARTER PAWL | | 1 | |

J T22LS
IGNITION SYSTEM

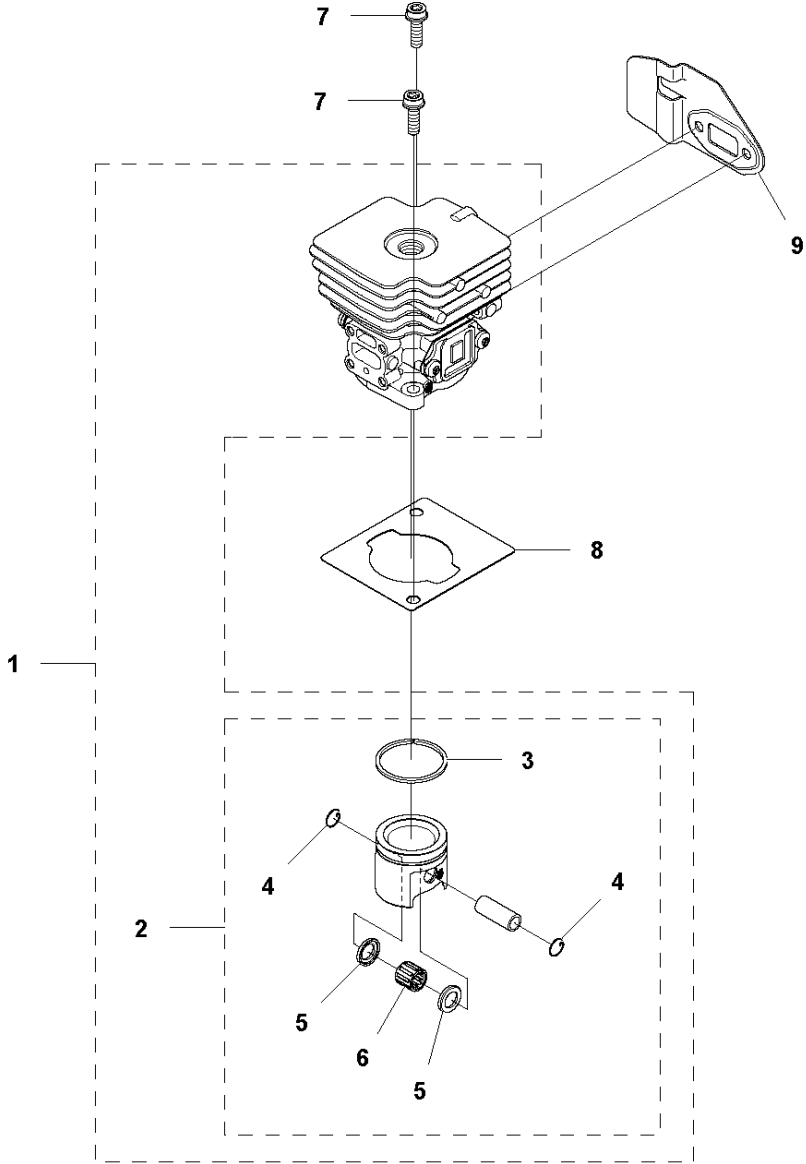


IGNITION SYSTEM

T22 LS, 9666319-01, 2012-01

| Ref | Part No | Description | Remark | QTY KIT |
|-----|--------------|---------------------|--------|---------|
| 1 | 585 07 41-02 | IGNITION SYSTEM | | 1 |
| 2 | 525 75 51-01 | SCREW ITXSCFM | | 2 |
| 3 | 503 23 54-01 | SPARK PLUG | | 1 |
| 4 | 537 24 96-02 | FLYWHEEL | | 1 |
| 5 | 731 71 16-51 | HEXAGON NUT FLANGE | | 1 |
| 6 | 574 48 89-01 | SHORT CIRCUIT CABLE | | 1 |

K T22LS
CYLINDER & PISTON

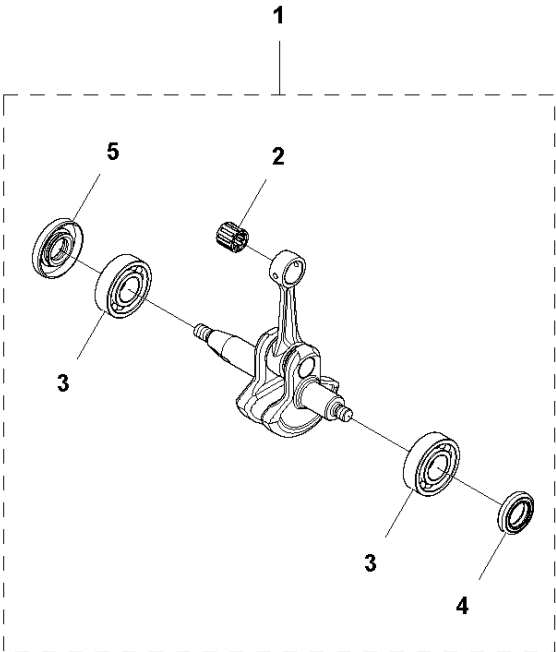


CYLINDER PISTON

T22 LS, 9666319-01, 2012-01

| Ref | Part No | Description | Remark | QTY KIT | |
|-----|--------------|----------------|--------|---------|-----|
| 1 | 577 38 03-01 | CYLINDER | | | |
| 2 | 510 22 36-02 | PISTON ASSY | | 1 | 1 |
| 3 | 505 15 58-01 | PISTON RING | | 1 | 1,2 |
| 4 | 737 44 08-00 | CIRCLIP | | 2 | 1,2 |
| 5 | 525 57 77-01 | WASHER | | 2 | 1,2 |
| 6 | 575 50 49-01 | NEEDLE BEARING | | 1 | 1,2 |
| 7 | 525 75 51-02 | SCREW ITXSCFM | | 2 | |
| 8 | 522 91 84-01 | GASKET | | 1 | |
| 9 | 522 99 74-01 | AIR CONDUCTOR | | 1 | |

L T22LS
CRANK SHAFT

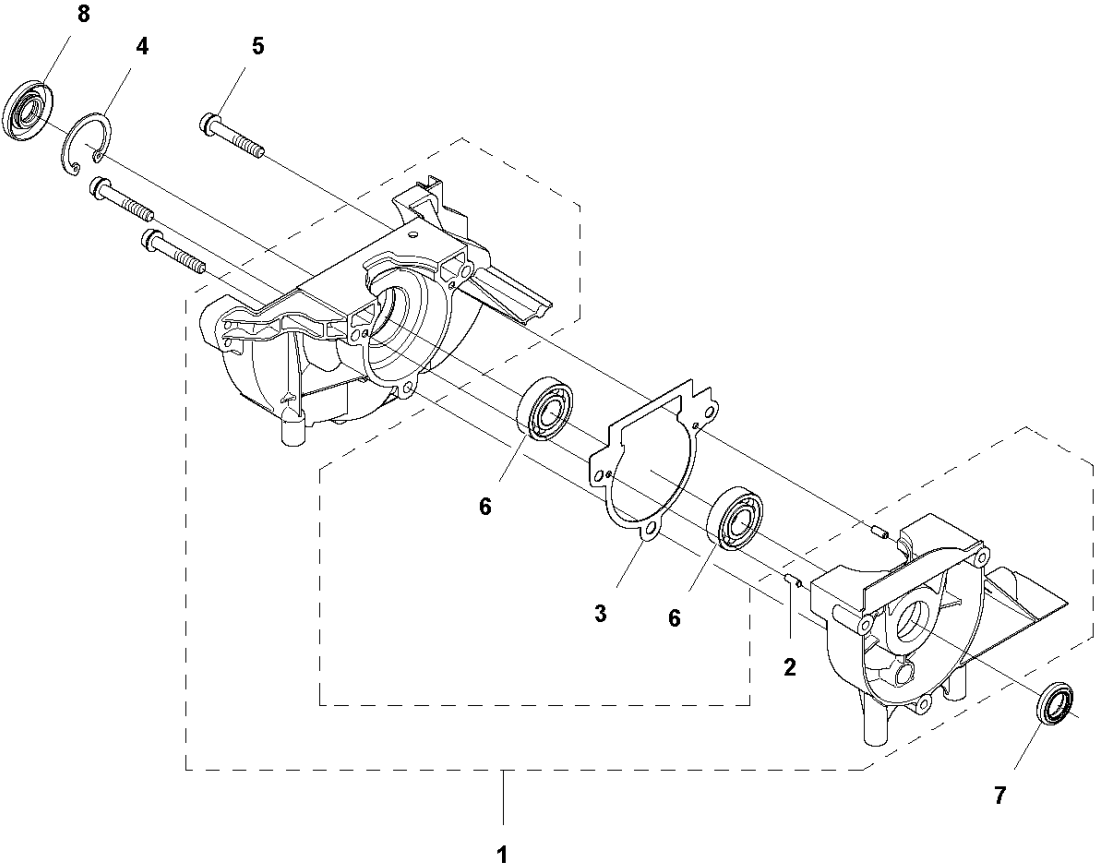


CRANKSHAFT

T22 LS, 9666319-01, 2012-01

| Ref | Part No | Description | Remark | QTY | KIT |
|-----|--------------|----------------|--------|-----|-----|
| 1 | 577 38 05-01 | CRANKSHAFT | | 1 | |
| 2 | 575 50 49-01 | NEEDLE BEARING | | 1 | 1 |
| 3 | 738 21 01-10 | BALL BEARING | | 2 | 1 |
| 4 | 503 26 02-02 | SEALING RING | | 1 | 1 |
| 5 | 574 48 20-01 | RADIAL SEAL | | 1 | 1 |

M T22LS
CRANKCASE

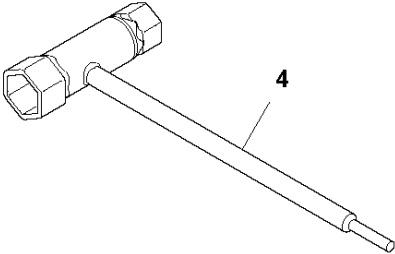
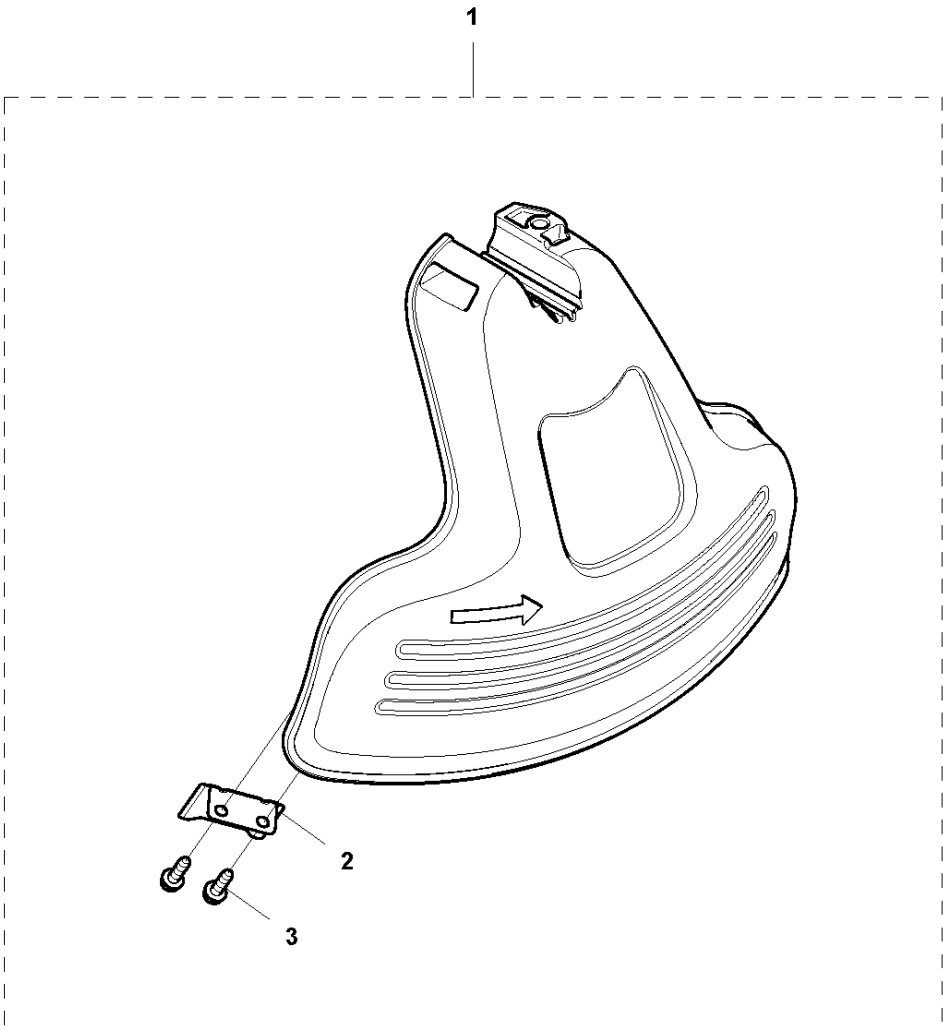


CRANKCASE

T22 LS, 9666319-01, 2012-01

| Ref | Part No | Description | Remark | QTY | KIT |
|-----|--------------|----------------|--------|-----|-----|
| 1 | 522 87 83-01 | CRANKCASE ASSY | | 1 | |
| 2 | 522 87 84-01 | PIN | | 2 | 1 |
| 3 | 522 91 83-01 | GASKET | | 1 | |
| 4 | 735 31 28-10 | CIRCLIP | | 1 | |
| 5 | 525 75 51-03 | SCREW ITXSCFM | | 3 | |
| 6 | 738 21 01-10 | BALL BEARING | | 2 | |
| 7 | 503 26 02-02 | SEALING RING | | 1 | |
| 8 | 574 48 20-01 | RADIAL SEAL | | 1 | |

N T22LS
ACCESSORIES



ACCESSORIES

T22 LS, 9666319-01, 2012-01

| Ref | Part No | Description | Remark | QTY | KIT |
|-----|--------------|--------------------|--------|-----|-----|
| 1 | 574 55 72-01 | TRIMMER GUARD ASSY | | 1 | |
| 2 | 530 05 22-86 | LINE | | 1 | 1 |
| 3 | 530 01 58-14 | SCREW | | 2 | 1 |
| 4 | 575 73 82-01 | COMBINATION WRENCH | | 1 | |

Illustrated Parts List - IPL Update



Product Name(s)

T22LS

Description of change

Increased spark duration time. Better runability and reduced time for the warm-up of engine.

Comments

FULLY INTERCHANGEABLE

Introduced from

| Serial number / Date | Remark |
|----------------------|------------------------------|
| 2019-11 | Ignition module 585 07 41-02 |
| | |
| | |
| | |

IPL updates

| Page title | Ref . no | New part no | Name | Excl. part no. | Remark |
|-----------------|----------|-------------|-----------------|----------------|--------|
| IGNITION SYSTEM | 1 | 585074102 | Ignition module | 585074101 | |
| | | | | | |
| | | | | | |
| | | | | | |
| | | | | | |