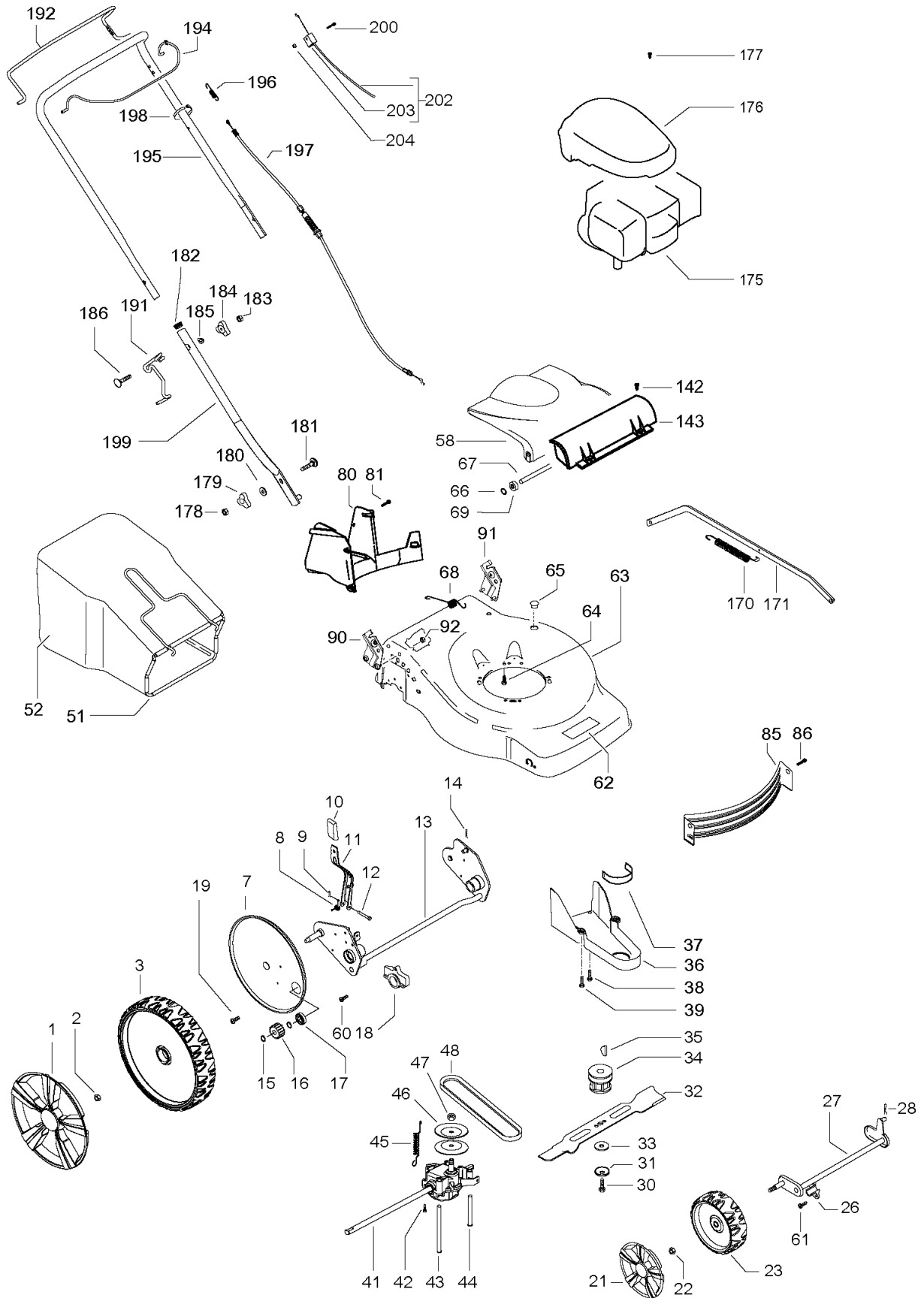




SPARE PARTS LIST

LAWN MOWERS: CONSUMER
WALK-BEHINDS

M51-140 WR Classic+, 96768300101,
2019-03



PRODUCT COMPLETE

M51-140 WR Classic+, 96768300101, 2019-03

| Ref | Part No | Description | Remark | QTY KIT |
|-----|--------------|---------------------|---------------------------|---------|
| 1 | 574 39 66-01 | HUB CAP | d.280 | 2 |
| 2 | 504 85 78-01 | NUT | M8, self locking, flanged | 2 |
| 3 | 574 41 53-04 | WHEEL | d.280 | 2 |
| 7 | 504 53 99-01 | HUB CAP | d.280 | 2 |
| 8 | 583 95 13-02 | SPRING | | 1 |
| 9 | 531 20 74-08 | PIN RETAINING SCREW | | 1 |
| 10 | 574 61 05-01 | KNOB | | 1 |
| 11 | 582 75 93-01 | LEVER ASSY | | 1 |
| 12 | 587 19 82-01 | PIN | | 1 |
| 13 | 596 95 26-01 | REAR AXLE | | 1 |
| 14 | 531 20 66-53 | PIN | | 1 |
| 15 | 531 20 87-72 | WASHER | | 4 |
| 16 | 582 70 17-01 | PINION | | 2 |
| 17 | 531 20 87-78 | BEARING | | 2 |
| 18 | 531 20 59-44 | SUPPORT | | 2 |
| 19 | 531 20 78-56 | SCREW | M5x10 | 4 |
| 21 | 574 39 64-01 | HUB CAP | d.190 | 2 |
| 22 | 504 85 78-01 | NUT | M8, self locking, flanged | 2 |
| 23 | 574 41 50-04 | WHEEL | d.190 | 2 |
| 26 | 577 38 42-01 | SUPPORT | | 2 |
| 27 | 504 85 65-01 | FRONT AXLE ASSY | | 1 |
| 28 | 531 20 66-53 | PIN | | 1 |
| 30 | 531 20 80-08 | SCREW | 3/8" | 1 |
| 31 | 531 20 72-37 | WASHER | | 1 |
| 32 | 504 11 33-10 | BLADE | | 1 |
| 33 | 531 20 72-43 | WASHER | | 1 |
| 34 | 581 84 30-01 | BLADE SUPPORT | | 1 |
| 35 | 505 29 09-01 | KEY | | 1 |
| 36 | 502 09 36-01 | BELT GUARD | | 1 |
| 37 | 501 18 90-02 | BELT GUIDE | | 1 |
| 38 | 817 41 13-12 | SCREW | | 1 |
| 39 | 531 20 78-56 | SCREW | 5x10 | 2 |
| 41 | 504 54 14-03 | GEARBOX | | 1 |
| 42 | 510 03 75-01 | SCREW | 4x16, self threading | 2 |
| 43 | 504 10 31-01 | BELT GUIDE | | 1 |
| 44 | 544 93 43-01 | BELT GUIDE | | 1 |
| 45 | 544 93 47-01 | SPRING | | 1 |
| 46 | 504 54 79-01 | PULLEY | | 2 |
| 47 | 504 54 80-01 | NUT | | 1 |
| 48 | 504 10 33-01 | BELT | Z30 10X765 | 1 |
| 51 | 582 82 18-01 | BAG FRAME | | 1 |
| 52 | 589 35 72-03 | GRASS BAG ASSY | | 1 |
| 58 | 544 25 55-01 | HATCH | | 1 |
| 60 | 531 20 66-77 | SCREW | 4.8x19, self threading | 2 |
| 61 | 525 43 31-01 | SCREW | 4x16, self threading | 4 |
| 62 | 581 02 17-01 | DECAL | McCulloch | 1 |
| 63 | 582 89 07-02 | CHASSIS | | 1 |
| 64 | 532 15 04-06 | BOLT | 3/8" | 3 |
| 65 | 597 01 75-01 | PLUG | | 1 |
| 66 | 584 81 69-03 | LOCKWASHER | | 2 |
| 67 | 531 20 50-60 | SHAFT | | 1 |
| 68 | 531 20 59-99 | SPRING | | 1 |
| 69 | 531 20 57-32 | SPACER | | 1 |
| 80 | 502 09 39-01 | INSERT | | 1 |
| 81 | 589 81 44-01 | SCREW | | 6 |
| 85 | 588 90 71-01 | BAFFLE | | 1 |
| 86 | 817 00 05-10 | BOLT | | 2 |
| 90 | 582 75 07-02 | HANDLE BRACKET | right | 1 |
| 91 | 582 75 03-02 | HANDLE BRACKET | left | 1 |
| 92 | 596 72 80-01 | NUT | M8 | 4 |
| 142 | 576 13 60-06 | SCREW | M5x8 | 2 |
| 143 | 579 30 09-01 | SEAL | | 1 |
| 170 | 579 24 53-02 | SPRING | | 1 |
| 171 | 580 96 32-01 | ROD | | 1 |

PRODUCT COMPLETE

M51-140 WR Classic+, 96768300101, 2019-03

| Ref | Part No | Description | Remark | QTY | KIT |
|-----|--------------|---------------------|--|-----|-----|
| 175 | N/A | TBD | engine, Briggs & Stratton, model number 09P6020029H5 | 1 | |
| 176 | 580 44 56-01 | SHROUD | | 1 | |
| 177 | 532 18 16-98 | SCREW | | 3 | |
| 178 | 531 20 79-82 | NUT | M8 | 2 | |
| 179 | 531 20 49-23 | WING NUT | | 2 | |
| 180 | 531 20 49-22 | WASHER | | 2 | |
| 181 | 531 20 49-21 | SCREW | M8x25 | 2 | |
| 182 | 531 20 89-50 | PLUG | | 2 | |
| 183 | 531 20 79-82 | NUT | M8 | 2 | |
| 184 | 531 20 49-23 | WING NUT | | 2 | |
| 185 | 531 20 70-90 | WASHER | | 2 | |
| 186 | 531 20 70-89 | SCREW | M8x50 | 2 | |
| 191 | 504 70 86-01 | HOOK | | 1 | |
| 192 | 504 70 84-01 | HANDLE | | 1 | |
| 194 | 504 70 83-04 | HANDLE | | 1 | |
| 195 | 504 70 80-01 | HANDLE | upper half | 1 | |
| 196 | 580 76 19-01 | SPRING | | 1 | |
| 197 | 544 90 80-02 | CABLE | | 1 | |
| 198 | 531 20 55-81 | CLIP | | 2 | |
| 199 | 531 20 60-71 | HANDLE | lower half | 2 | |
| 200 | 580 83 36-01 | SCREW EHHM | M5x40 | 1 | |
| 202 | 582 19 21-02 | CABLE ASSY | | 1 | |
| 203 | 531 20 80-43 | BRACKET | | 1 | 202 |
| 204 | 581 55 12-01 | HEXAGON LOCKING NUT | | 1 | |