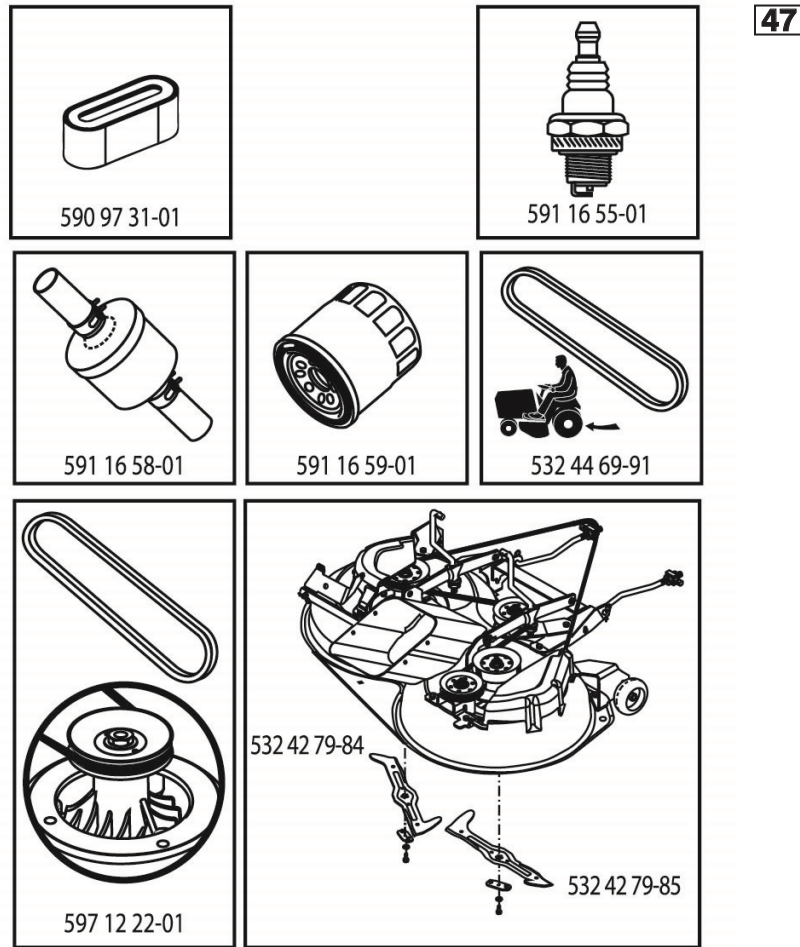


ILLUSTRATED PARTS LIST

MFG. ID NO. 96051016601

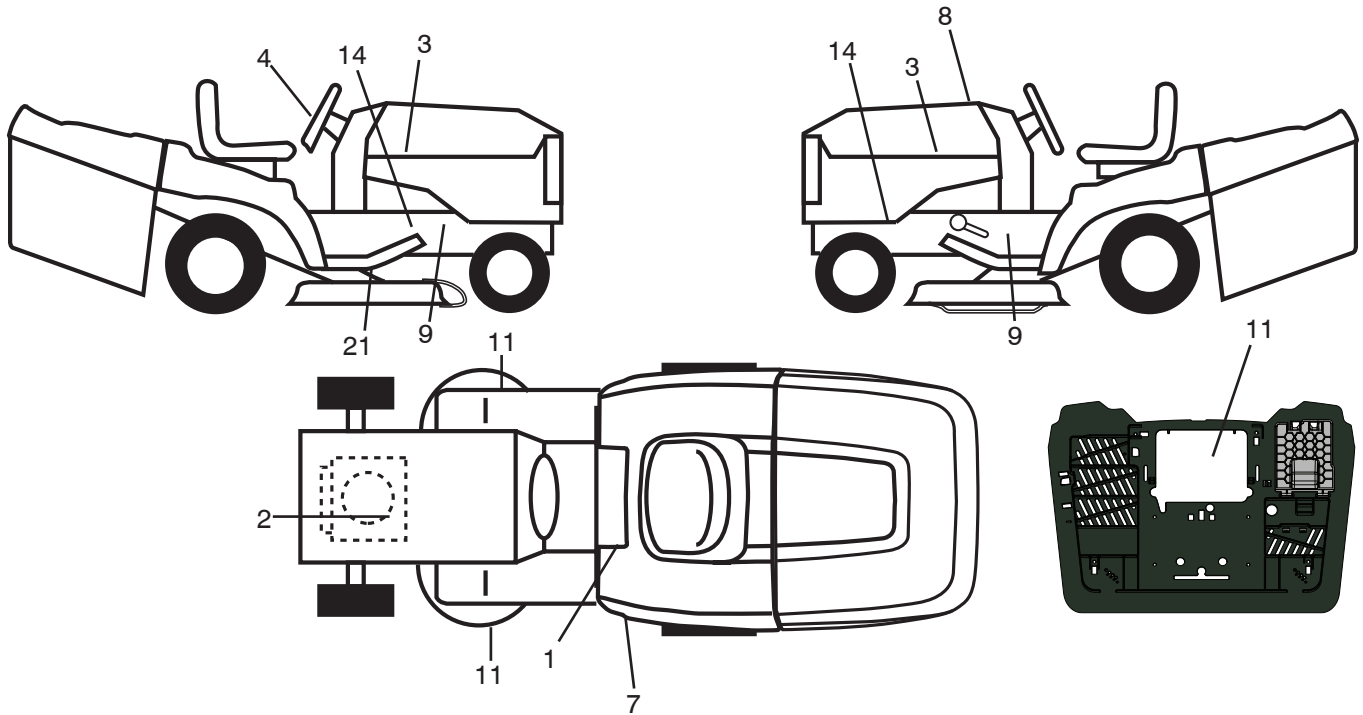
CUSTOMER CATALOG NO. M165-97TC CLASSIC

PRODUCT NO. 960 51 01-66



596506901

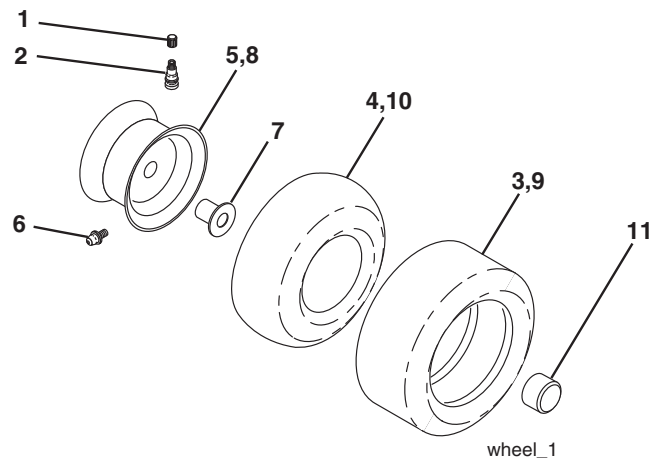
TRACTOR-MODEL NO. M165-97TC CLASSIC (96051016601), PROD. NO. 96051 01-66
DECALS 27



KEY NO.	PART NO.	DESCRIPTION
1	581 57 83-01	Decal, Warning
2	581 57 97-01	Decal, Warning Eng. Sym.
3	581 09 12-01	Decal, Hood RH/LH
4	501 49 43-01	Decal, Steering Wheel
7	591 20 54-01	Decal, Fender
8	596 50 69-01	Decal, Replacement
9	581 57 98-01	Decal, Warning Service/Fire
11	581 57 91-01	Decal, Mower Cut Finger Symbol
14	581 57 96-01	Decal, Chassis Hot Muffler

KEY NO.	PART NO.	DESCRIPTION
21	592 98 02-01	Decal, Belt Sch CRD
--	532 44 27-44	Decal, Battery
--	532 42 59-86	Pad Footrest RH
--	532 42 59-76	Pad Footrest LH
--	583 90 19-01	Decal, Bypass
--	114 06 94-20	Manual Operator's (Euro)
--	114 06 95-10	Manual Operator's (Scan)
--	114 06 96-50	Manual Operator's (E-Bloc)
--	114 06 97-40	Manual Operator's (Baltic)

WHEELS & TIRES



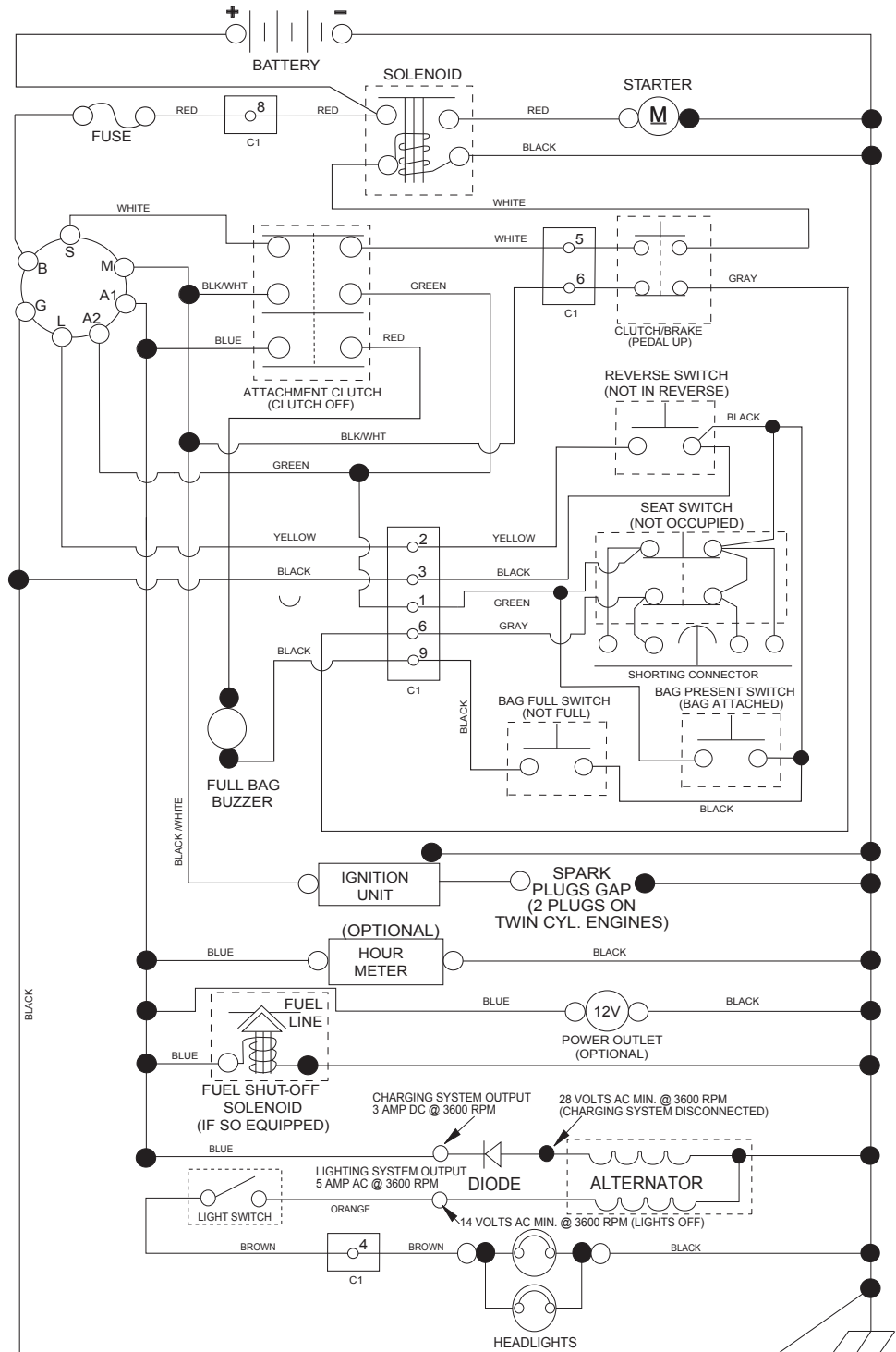
KEY NO.	PART NO.	DESCRIPTION
1	532 05 91-92	Cap Valve Tire
2	532 06 51-39	Stem Valve
3	532 10 62-22	Tire Front 15 x 6-6
4	532 05 99-04	Tube Inner Front #35060
5	532 12 51-21	Rim Asm 6" Front Silver Service
6	532 12 49-57	Fitting Grease
7	532 12 49-59	Bearing Flange
8	532 12 51-22	Rim Asm 8" Rear Silver Service
9	532 12 46-35	Tire Rear 18 x 8.5-8
10	532 12 49-26	Tube Rear 9.5 x 8
11	532 19 32-68	Cap Axle
--	532 14 43-34	Sealant, Tire (10 oz. Tube)

NOTE: All component dimensions given in U.S. inches
 1 inch = 25.4 mm

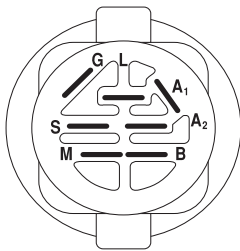
TRACTOR - MODEL NO. M165-97TC CLASSIC (96051016601), PROD. NO. 96051 01-66

SCHEMATIC **38**

SCH17

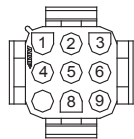


NOTE
YOUR TRACTOR IS EQUIPPED WITH A SPECIAL ALTERNATOR SYSTEM. THE LIGHTS ARE NOT CONNECTED TO THE BATTERY, BUT HAVE THEIR OWN ELECTRICAL SOURCE. BECAUSE OF THIS, THE BRIGHTNESS OF THE LIGHTS WILL CHANGE WITH ENGINE SPEED. AT IDLE THE LIGHTS WILL DIM. AS THE ENGINE SPEED IS INCREASED, THE LIGHTS WILL BECOME THEIR BRIGHTEST.

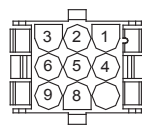


IGNITION SWITCH

POSITION	CIRCUIT	"MAKE"
OFF	M+G+A1	
RUN/OVERRIDE	B+A1	
RUN	B+A1	L+A2
START	B + S + A1	



CHASSIS HARNESS CONNECTOR (C1) (MATING SIDE)



DASH HARNESS CONNECTOR (C1) (MATING SIDE)

WIRING INSULATED CLIPS
NOTE: IF WIRING INSULATED CLIPS WERE REMOVED FOR SERVICING OF UNIT, THEY SHOULD BE RE-INSTALLED TO PROPERLY SECURE YOUR WIRING.

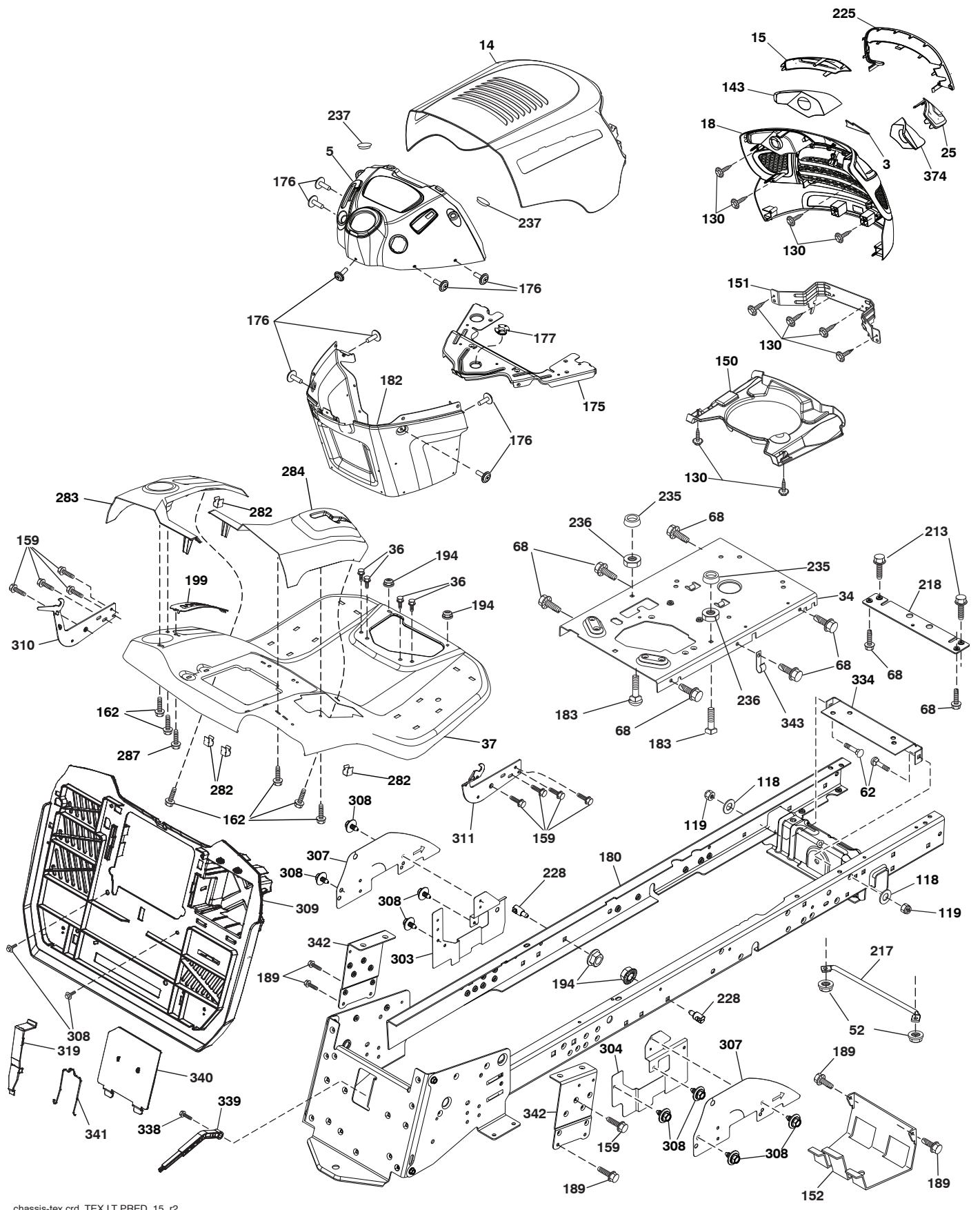
NON-REMOVABLE CONNECTIONS
REMOVABLE CONNECTIONS

**TRACTOR-MODEL NO. M165-97TC CLASSIC (96051016601), PROD. NO. 96051 01-66
ELECTRICAL 32**

KEY NO.	PART NO.	DESCRIPTION
1	532 43 71-57	Battery
2	532 44 09-23	Screw Hex Hd Cap M6 x 1.12mm
16	532 17 61-38	Switch Interlock
21	532 40 02-52	Harness Asm Light w/4152J
22	532 00 41-52	Bulb Light #1156
25	581 48 98-01	Cable Battery Red
26	532 17 51-58	Fuse
27	873 51 04-00	Nut Keps Hex 1/4-20 unc
28	581 48 98-02	Cable Ground Black
29	532 40 15-45	Switch Seat
30	532 19 33-50	Switch Ignition
33	532 41 19-35	Key/Chain
34	532 11 07-12	Switch Light
40	532 42 10-02	Harness Ignition Dash
43	582 04 28-01	Solenoid
55	817 06 05-12	Screw 5/16-18 x 3/4
71	581 02 33-01	Harness Chassis
79	532 17 52-42	Socket Asm.
83	532 43 67-74	Nut Square M6 x 1 x 8.5 x 11mm
87	532 42 10-60	Switch Railmount
99	817 00 05-12	Screw 5/16-18 x 3/4
102	581 02 35-01	Harness Pigtail
105	532 40 75-68	Switch Rev
107	532 18 03-79	Switch Full Bagger Indicator
108	532 42 10-62	Switch Snapmount

NOTE: All component dimensions given in U.S. inches
1 inch = 25.4 mm

TRACTOR-MODEL NO.M165-97TC CLASSIC (96051016601), PROD.NO.9605101-66
CHASSIS AND ENCLOSURES **39**



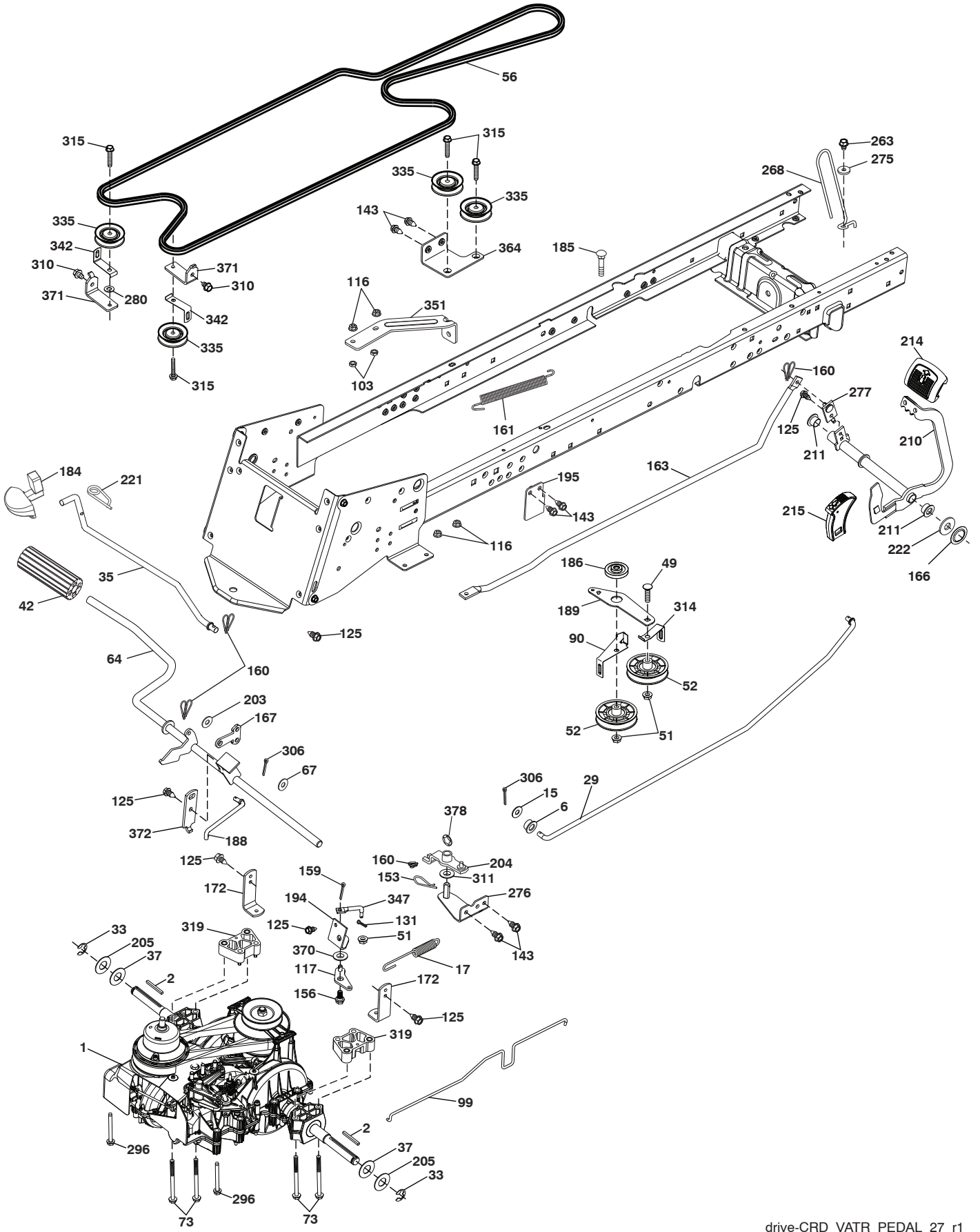
chassis-tex crd_TEX LT PRED_15_r2

**TRACTOR-MODEL NO. M165-97TC CLASSIC (96051016601), PROD. NO. 96051 01-66
CHASSIS AND ENCLOSURES 39**

KEY NO.	PART NO.	DESCRIPTION	KEY NO.	PART NO.	DESCRIPTION
3	578 89 71-01	Emblem Mount	217	532 40 91-67	Rod Pivot Hood
5	532 42 57-72	Dash	218	532 19 63-95	X-Piece Hood Stop
14	532 40 95-98	Hood	225	581 05 62-01	Trim Ring
15	581 05 58-01	Lens LH	228	532 19 51-61	Stud Fastener
18	581 05 57-01	Grille	235	532 40 61-29	Spacer Fender
25	581 05 59-01	Lens RH	236	873 93 05-00	Nut Lock 5/16-18 unc
34	580 91 09-01	Plate Engine	237	532 40 37-04	Plug Mount Cargo
36	817 06 05-12	Screw 5/16-18 x 3/4	282	532 41 41-10	Clip Retainer
37	532 44 08-49	Fender	283	532 44 03-61	Console Deck Lift
52	873 68 05-00	Nut Crown Lock 5/16	284	532 44 03-60	Console Shift RH
62	872 11 06-08	Bolt 3/8-16 x 1 Gr. 5	287	817 60 04-06	Screw Hex Washhead 1/4-20 x 3/8
68	539 99 08-58	Screw Thdrol. 5/16-18 x 1/2	303	589 00 76-02	Shield LH
118	819 13 13-16	Washer 13/32 x 13/16 x 16 Ga.	304	589 41 27-02	Shield RH
119	873 68 06-00	Nut 3/8-16 unc	307	587 49 45-01	Shield Upper
130	532 41 63-58	Screw #10 x 0.750 BOS Thread	308	532 17 18-77	Bolt 5/16-18 unc x 3/4
143	581 05 60-01	Insert Reflective LH	309	501 18 83-01	Backplate Bagger
150	532 40 83-10	Duct, Air	310	532 44 54-24	LH Adjust Hanger
151	532 18 75-68	Bracket Pivot Hood	311	532 44 54-29	RH Adjust Hanger
152	532 19 95-35	Shield Browning	319	532 17 46-62	Lever Bagger
159	817 00 06-12	Screw Hexwsh Thdr 3/8-16 x 3/4	334	532 44 25-37	Engine Plate
162	532 14 24-32	Screw Hex Wsh. Hi-Lo 1/4 x 1/2 unc	338	532 43 66-40	Bolt Shoulder
175	532 19 94-72	Crossmember	339	532 43 66-41	Lever Bagger Full
176	532 40 07-76	Screw 10-24 x 5/8	340	532 44 09-31	Door Battery
177	532 19 52-28	Bushing Steering	341	582 06 08-01	Latch Battery Door
180	582 74 60-01	Chassis	342	582 82 68-02	Support Fender
182	532 40 71-76	Dash Lower	343	532 44 07-49	Clip
183	874 52 05-20	Bolt 5/16-18 x 1-1/4	374	581 05 60-02	Insert Reflective RH
189	817 00 05-12	Screw 5/16-18 x 3/4			
194	873 90 05-00	Nut Lock Hex Flange 5/16-18			
199	532 41 87-39	Plate Deck Lift			
213	539 97 69-34	Bolt 5/16-18 x 3/4 Gr. 5 ZD			

NOTE: All component dimensions given in U.S. inches
1 inch = 25.4 mm

TRACTOR-MODEL NO. M165-97TC CLASSIC (96051016601), PROD. NO. 9605101-66
 DRIVE **40**

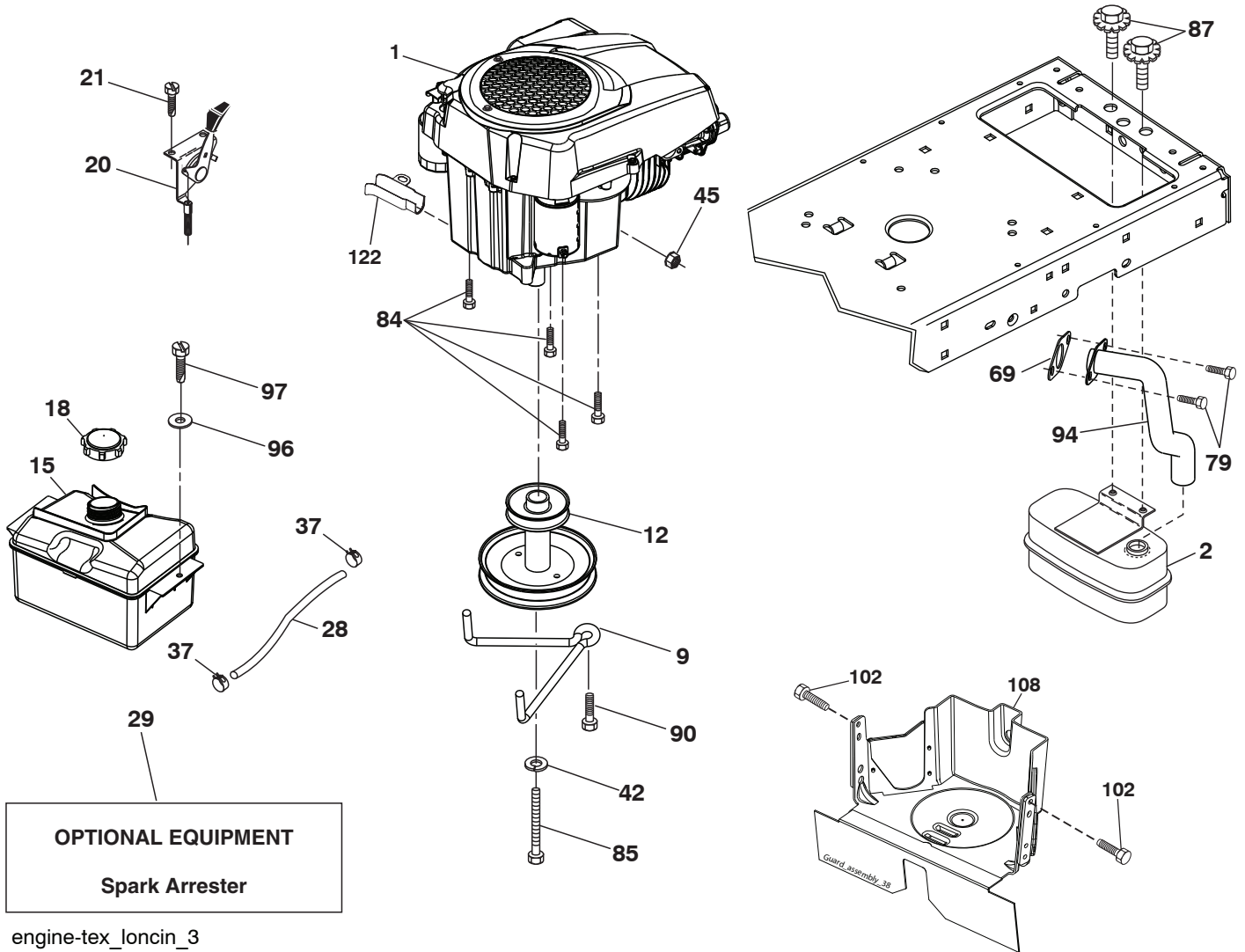


**TRACTOR-MODEL NO. M165-97TC CLASSIC (96051016601), PROD. NO. 96051 01-66
DRIVE 40**

KEY NO.	PART NO.	DESCRIPTION	KEY NO.	PART NO.	DESCRIPTION
1	-----	Transaxle, Gentrans Fast VATR. (590277701) (Order parts from transaxle manufacturer.)	188	582 21 70-01	Link Clutch Ground Drive Long
2	532 12 35-83	Key Square .2.0 x .1845/.1865	189	532 43 36-11	Bellcrank Groundrive
6	532 12 40-28	Bushing Snap	194	583 87 86-01	Bellcrank Brake
15	819 13 13-16	Washer 13/32 x 13/16 x 16 Ga.	195	580 45 69-02	Brake Bracket
17	580 32 52-01	Spring Brake	203	819 11 11-16	Washer 11/32 x 11/16 x 16 Ga.
29	581 18 74-01	Rod Brake	204	584 99 70-01	Link Pivot Pedal
33	812 00 00-01	E-Ring. #5133-75	205	532 12 17-48	Washer 25/32 x 1-5/8 x 16 Ga.
35	532 40 10-31	Rod Brake Parking. Lt.Tex	210	588 92 10-01	Weldment Pedal
37	532 18 89-67	Washer Harden .793 x 1.637 x 060	211	532 12 01-83	Bearing Nylon
42	532 12 48-72	Cover Pedal Blk Round	214	532 42 12-63	Pedal Forward Pad
49	872 11 06-14	Bolt Rdhd 3/8-16 Unc x 1-3/4.Gr 5	215	591 10 01-01	Cap Pedal Reverse
51	873 90 06-00	Nut, Hex, Flangelock 3/8-16	221	532 40 31-87	Retainer Spring Clip Handle
52	532 19 43-26	Idler V-Groove Offset	222	879 21 20-10	Washer 21/32 x 1-1/4 10 Ga.
56	532 44 69-91	Belt Drive	263	817 00 06-12	Screw Hxwsh Thdr 3/8-16 x 3/4
64	589 67 14-01	Shaft Asm. Pedal Brake	268	532 18 24-02	Guard Muffler
67	582 58 01-01	Washer Nylon 13/32 x 13/16 x 1.09	276	590 63 01-02	Bracket Control Pedal
73	580 83 04-01	Bolt Shoulder Transaxle	275	819 13 16-14	Washer 13/32 x 14 Ga.
90	532 44 36-05	Keeper Belt	277	532 44 85-00	Subasm. Link Rocker Pedal
99	581 28 09-01	Rod Bypass	280	819 11 10-12	Washer 11/32 x 5/8 x 12 Ga.
103	873 35 05-00	Nut Hex Jam 5/16-18 UNC	296	532 42 04-71	Screw Thdrol 5/16-18 x 3
116	873 90 05-00	Nut, Lock Hex Flange 5/16-18 unc	306	876 02 04-16	Pin Cotter 1/8 x 1
117	580 38 29-01	Subasm Bellcrank Brake	310	817 49 06-08	Screw Thdrol 3/8-16 x 1/2
125	817 00 05-12	Screw 5/16-18 x 3/4 Smgml Tap/Bl	311	585 07 20-01	Washer Nylon
131	876 02 03-08	Pin Cotter 3/32 x 1/2	314	532 44 47-13	Keeper Belt
143	539 99 08-58	Screw Thdrol 5/16-18 x 1/2 Tytt	315	817 58 05-20	Screw Thdrol 5/16-18 x 1.25
153	532 12 49-61	Retainer Clip	319	580 45 74-01	Spacer Transaxle
156	580 36 90-01	Bolt Shoulder Brake	335	532 19 95-34	Pulley V-Idler
159	876 02 04-12	Pin Cotter 1/8 x 3/4	342	580 96 10-02	Keeper Belt Idler
160	532 16 94-84	Retainer Clip(M).Dia.290	347	580 32 51-01	Rod Connecting Brake
161	532 10 57-09	Spring Return Clutch 6.75	351	532 43 69-98	Bracket Swaybar
163	581 18 73-01	Rod Control Pedal	364	532 44 30-32	Bracket Idler
166	532 42 91-64	Nut Push .625	370	878 12 16-32	Washer Thrust 3/8 x 1 x .032
167	532 40 52-57	Latch Brake Parking	371	580 96 07-03	Bracket Idler
172	532 44 82-76	Strap Torque LH/RH	372	581 47 52-01	Arm Control Brake
184	532 41 14-84	Handle Parking Brake	378	584 28 77-01	Nut Push
185	872 11 06-22	Bolt Rdhd.3/8-16 Unc x 2-3/4 Gr.5			
186	532 19 43-21	Spacer Retainer			

NOTE: All component dimensions given in U.S. inches
1 inch = 25.4 mm

TRACTOR-MODEL NO. M165-97TC CLASSIC (96051016601), PROD. NO. 9605101-66
ENGINE 24



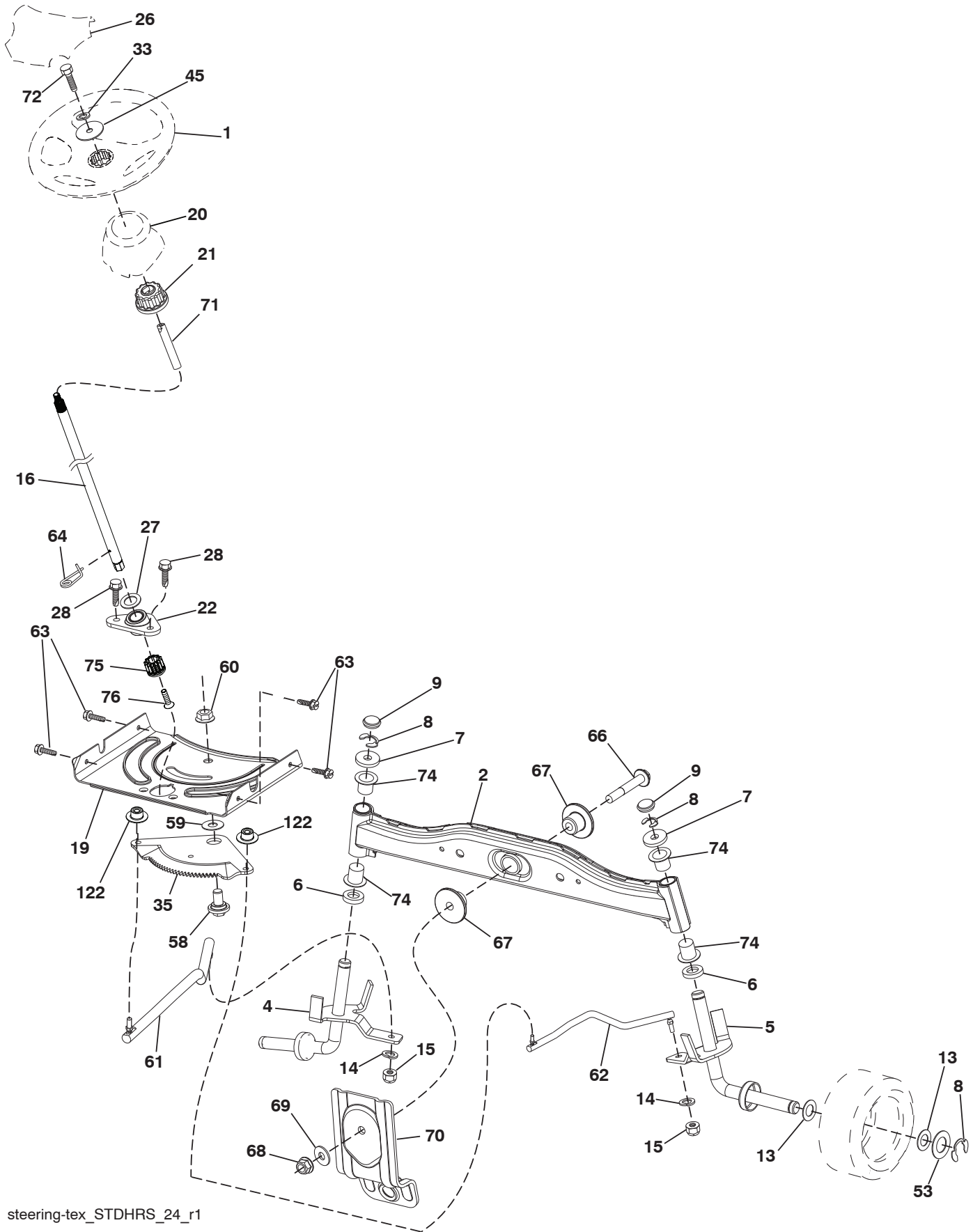
engine-tex_loncin_3

**TRACTOR-MODEL NO. M165-97TC CLASSIC (96051016601), PROD. NO. 96051 01-66
ENGINE 24**

KEY NO.	PART NO.	DESCRIPTION
1	— — — — —	Engine McCulloch Model SVC Eng 452 (591071301)(Order parts from engine manufacturer.)
2	532 18 86-55	Muffler
9	583 84 78-01	Keeper Belt Engine
12	586 47 85-01	Pulley Engine
15	581 28 99-01	Tank Fuel
18	532 43 02-20	Cap Fuel
20	532 18 38-97	Control Throttle/Choke
21	532 41 63-58	Screw #10 x 0.750
28	532 13 70-40	Line Fuel
29	532 13 71-80	Kit Spark Arrester (Flat Scrn)
37	532 12 34-87	Clamp Hose Blk
42	539 99 02-47	Washer SLW STD 7/16
45	593 35 64-01	Nut Hex Flange M6 Serrated
69	590 86 35-01	Gasket Muffler
79	532 18 39-06	Screw 5/16-18 x 1
84	817 12 06-16	Screw 3/8-16 x 1
85	501 60 65-01	Bolt 7/16-20 x 4 x Gr. 5-1.5 THR
87	532 17 18-77	Bolt 5/16 - 18 unc x 3/4
90	817 00 06-16	Screw 3/8-16 x 1
94	590 86 47-01	Tube Exhaust
96	819 09 14-16	Washer 9/32 x 7/8 x 16 Ga.
97	817 67 04-12	Screw Hexwsh Thdrol 1/4-20 x 3/4
102	817 06 05-16	Screw
108	587 17 95-10	Cover Pulley Engine w/SHLD
122	532 42 19-22	Extension Drain Oil

NOTE: All component dimensions given in U.S. inches
1 inch = 25.4 mm

TRACTOR-MODEL NO. M165-97TC CLASSIC (96051016601), PROD. NO. 9605101-66
STEERING ASSEMBLY [41]



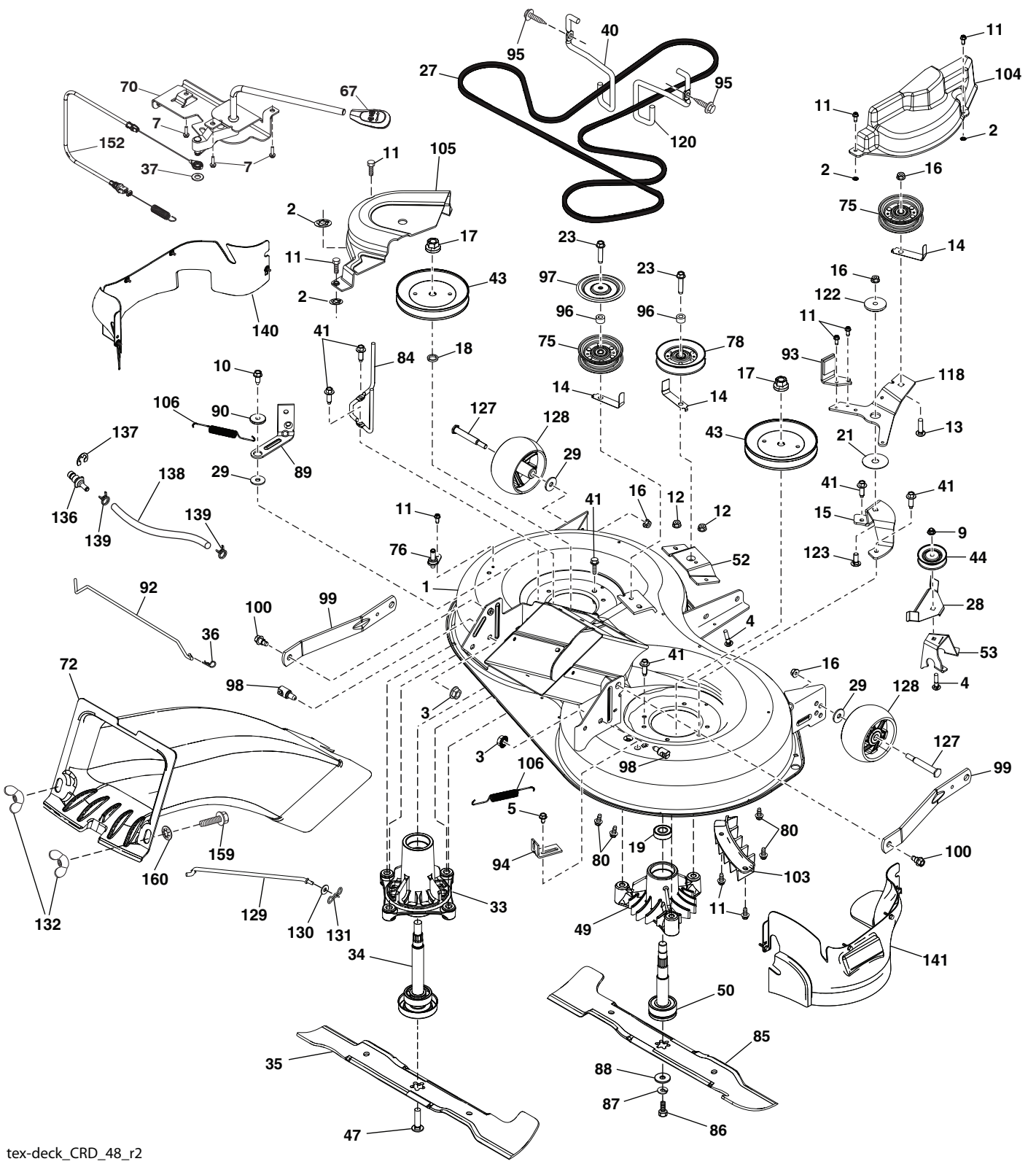
steering-tex_STDHRS_24_r1

TRACTOR-MODEL NO. M165-97TC CLASSIC (96051016601), PROD. NO. 96051 01-66
STEERING ASSEMBLY 41

KEY NO.	PART NO.	DESCRIPTION
1	532 42 45-43	Wheel, Steering
2	532 41 81-68	Axle Asm.
4	532 40 30-87	Spindle Asm., LH
5	532 40 30-88	Spindle Asm., RH
6	532 12 49-31	Bearing, Race Thrust Harden
7	532 12 17-48	Washer 25/32 x 1-5/8 x 16 Ga.
8	812 00 00-29	Ring, Klip #T5304-75
9	532 12 12-32	Cap, Spindle
13	532 12 17-49	Washer 25/32 x 1-1/4 x 16 Ga.
14	539 99 01-18	Washer, SLW ZD 3/8
15	873 54 06-00	Nut, Crown Lock 3/8-24 unf
16	585 86 92-02	Steering Shaft
19	532 19 47-29	Plate Steering
20	532 40 97-63	Boot, Steering
21	532 18 67-37	Adapter, Wheel Steering
22	585 02 98-02	Bearing
26	532 42 46-91	Insert, Wheel Steering
27	819 21 16-16	Washer 21 x 32 x 1 x 16 Ga.
28	817 00 06-12	Screw 3/8-16 x 3/4
33	539 99 01-87	Washer Lock 5/16
35	532 19 47-32	Gear, Sector Plate
45	819 11 38-12	Washer 11/32 x 3/8 x 12 Ga.
53	532 18 89-67	Washer Hardened .793 x 1.637 x .060
58	532 19 47-47	Bolt Shoulder Sector Pivot CFM
59	532 19 47-48	Washer Thrust Sector Steering
60	873 97 10-00	Nut Flange Lock 5/8-11
61	532 19 47-40	Draglink, LH
62	532 19 47-41	Draglink, RH
63	817 00 05-12	Screw 5/16-18 x 3/4
64	532 19 98-49	Retainer Clip Spring Steering
66	871 02 07-48	Bolt Hex Fghd 7/16-14 x 3 Serr
67	532 19 47-37	Bushing PM Front Axle
68	873 90 07-00	Nut Lock Flange 7/16-14 Gr. 5
69	532 19 91-62	Washer 1.5 x .505 x .118
70	585 33 88-01	Bracket Deck Susp. Front
71	532 19 07-52	Shaft Extension Steering
72	532 42 89-82	Bolt Fin Hx 5/16-18 x 4
74	532 12 49-37	Bearing
75	580 68 37-01	Pinion
76	580 68 36-01	Screw Head Sock
122	532 44 49-62	Cap Gear Sector

NOTE: All component dimensions given in U.S. inches
1 inch = 25.4 mm

TRACTOR-MODEL NO. M165-97TC CLASSIC (96051016601), PROD. NO. 9605101-66
MOWER DECK 44



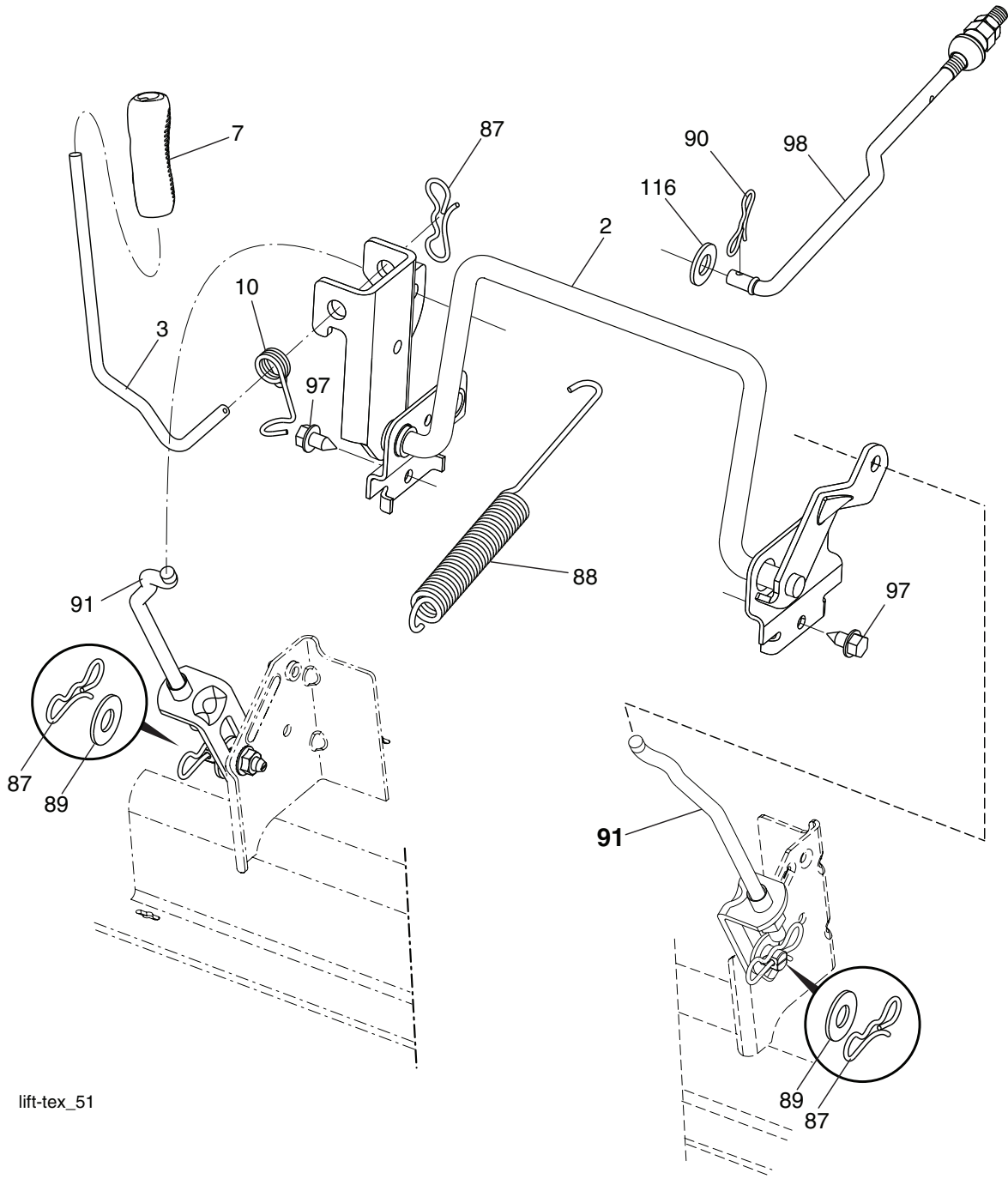
tex-deck_CRD_48_r2

TRACTOR-MODEL NO. M165-97TC CLASSIC (96051016601), PROD. NO. 96051 01-66
MOWER DECK 44

KEY NO.	PART NO.	DESCRIPTION	KEY NO.	PART NO.	DESCRIPTION
1	596 58 21-01	Kit SVC Deck Weldment	85	532 42 79-85	Blade
2	532 42 30-62	Palnut 1/4	86	532 18 17-13	Bolt 3/8-24 x 1.50
3	873 90 05-00	Nut 5/16 - 18	87	539 99 01-18	Washer Lock
4	872 11 05-10	Bolt Carr 5/16-18 x 1-1/4 Gr. 5	88	532 14 02-96	Washer Hard Blade
5	817 00 05-10	Bolt 5/16-18	89	532 43 81-24	Arm Brake
7	532 41 63-58	Screw #10	90	532 19 90-92	Spacer Retainer
9	585 69 13-01	Nut Hex Flg Nylock	92	592 85 57-01	Rod Brake 97 CRD Link
10	817 00 06-16	Screw 3/8-16 x 1	93	592 85 49-02	Arm Brake
11	532 13 77-29	Screw 1/4-20 x 5/8	94	532 19 72-50	Bracket Clutch Cable
12	539 11 28-99	Nut 5/16-18 Hex Flange Nyloc	95	817 00 06-12	Screw Hexwsh 3/8-16 x 3/4
13	872 11 06-12	Bolt 3/8-16 x 1-1/2	96	532 40 02-71	Spacer
14	532 15 60-85	Keeper Belt Idler	97	532 18 20-61	Shield Idler Mower
15	592 85 47-02	CRD Idler Arm Mount Bracket	98	532 19 51-61	Stud Fastener
16	873 90 06-00	Nut 3/8-16	99	532 19 51-86	Arm Suspension
17	532 40 02-34	Nut	100	532 19 65-39	Bolt Shoulder
18	532 18 76-90	Washer Spacer Mandrel	103	532 43 69-92	Guard Front Vent
19	585 32 39-01	Bearing Mandrel	104	592 84 81-01	Mandrel Cover RH
21	532 17 85-15	Washer Flat Hardened	105	532 43 87-44	Mandrel Cover LH
23	817 49 06-28	Screw Thdrol 3/8-16 x 1-3/4	106	532 19 32-16	Spring Brake Return
27	597 12 22-01	Belt 97 Manual	118	592 85 48-02	Arm Clutching
28	592 85 56-02	Keeper 97 CRD Angled Idler	120	532 19 72-59	Keeper Belt Engine RH
29	819 12 14-14	Washer 5/16 Flat Ste Std ZD	122	532 16 57-23	Retainer Spring
35	532 42 79-84	Blade	123	872 11 06-10	Carriage Bolt 3/8-16 x 1.25
33	532 18 72-81	Housing Mandrel	127	532 19 34-06	Bolt 3/8-16 x 3-5/8
34	587 25 65-01	Shaft Asm.	128	589 52 73-01	Wheel Gauge Rally
36	532 12 47-88	Retainer Spring	129	532 40 48-51	Rod Anti-Sway
37	819 13 13-16	Washer 13/32 x 13/16 16 Ga.	130	819 13 13-12	Washer 13/32 x 13/16 x 12 Ga.
40	532 19 72-58	Keeper Belt Engine LH	131	532 19 42-08	Pin Cotter 5/16 Bow Tie Lock
41	584 95 39-01	Bolt Hex Wshrd .313-18 x 1.19	132	532 17 88-99	Knob Handle 3/8-16
43	532 19 74-73	Pulley Mandrel	136	532 43 96-39	Washout Port Hookup
44	532 19 95-34	Pulley V-Idler Grnd Dr Plated	137	812 00 00-29	Ring Klip
47	584 30 93-01	Screw LH Blade 7/16 x 1	138	532 44 07-43	Hose 3/8 Long 12"
49	532 12 87-74	Housing Mandrel	139	532 44 07-42	Hose 3/8 Clamp
50	532 16 54-82	Shaft Asm	140	501 57 94-01	Guard Asm. LH
52	595 09 80-03	Bracket V-Idler Bolt Center	141	501 57 93-01	Guard Asm. RH
53	595 09 81-03	Bracket V-Idler Bolt Angled	152	532 44 04-88	Cable Clutch Manual W/Spring
67	532 40 30-12	Handle Clutch Cable	159	872 14 06-14	Bolt 3/8-16 unc x 1-3/4
70	532 40 12-46	Clutch Asm Manual	160	532 16 89-37	Nut Push
72	582 03 56-01	Chute Upper	--	587 25 33-01	MANDREL ASSEMBLY
75	532 17 34-38	Pulley Idler Flat	--	596 58 24-01	Replacement Mower Complete
76	532 43 96-40	Washout Port			
78	532 17 39-02	Pulley Idler V-Gr Plated 4.25			
80	539 99 03-16	Carriage Bolt 5/16-18 3/4			
84	589 67 61-02	Keeper Belt Mandrel			

NOTE: All component dimensions given in U.S. inches
1 inch = 25.4 mm

TRACTOR-MODEL NO. M165-97TC CLASSIC (96051016601), PROD. NO. 9605101-66
MOWER LIFT 45



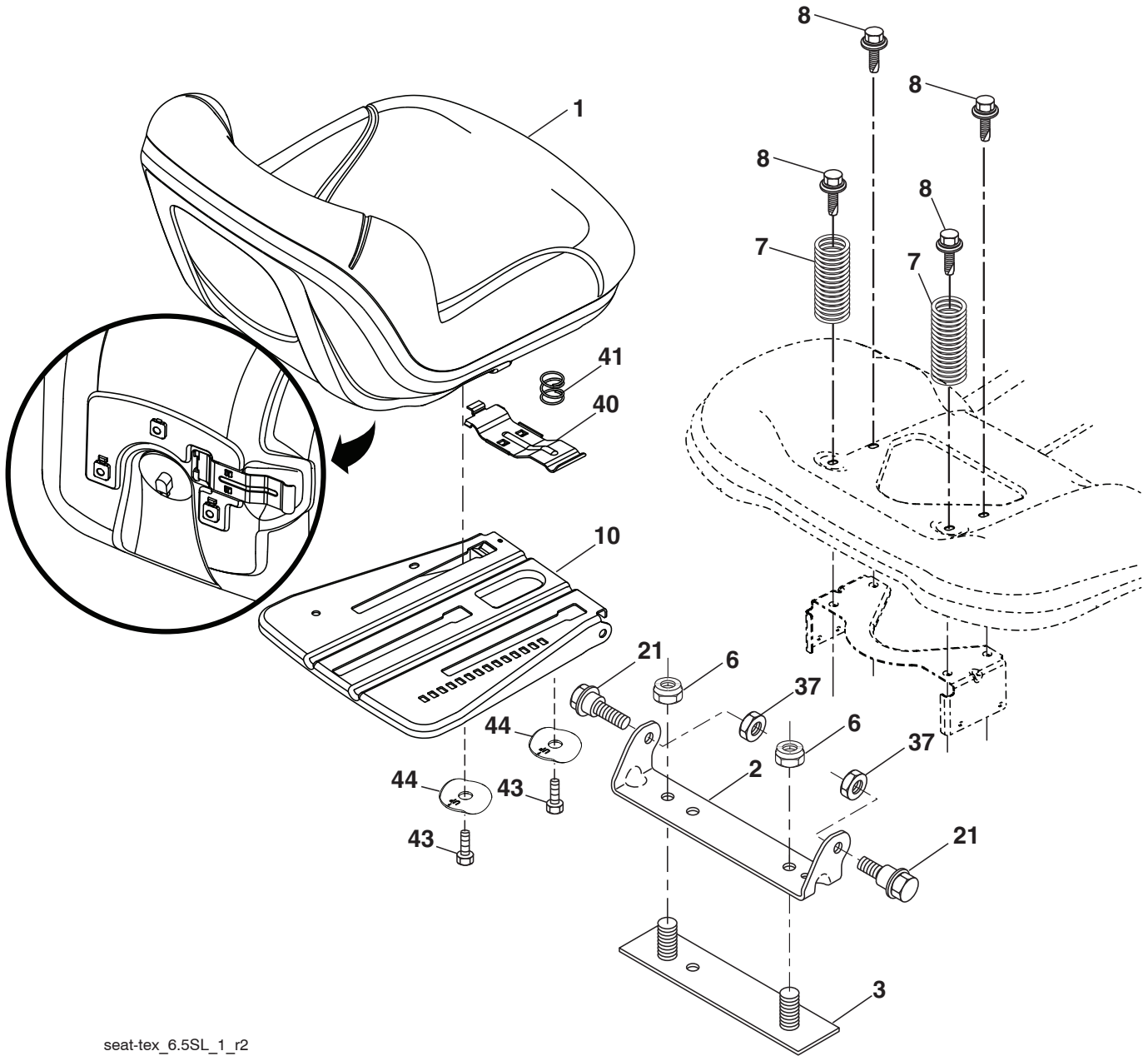
lift-tex_51

KEY NO.	PART NO.	DESCRIPTION
2	532 43 69-96	Deck Lift
3	532 19 52-31	Lever Asm., Lift RH
7	580 96 23-01	Grip, Lever
10	532 19 63-14	Spring Torsion
87	532 19 42-09	Pin Cotter 7/16 Bow Tie Lock
88	532 43 69-95	Spring Lift Assist
89	819 19 19-12	Washer 17/32 x 1-3/16 x 12 Ga.
90	532 19 42-08	Pin Cotter 5/16 Bow Tie Lock

KEY NO.	PART NO.	DESCRIPTION
91	532 19 51-81	Link Lift Susp Mower Rear
97	817 49 06-08	Screw 3/8-16 x 1/2
98	532 42 05-25	Link Lift Susp. Front Mower
116	819 15 15-16	Washer 15/32 x 15/16 x 16 Ga.

NOTE: All component dimensions given in U.S. inches
 1 inch = 25.4 mm

**TRACTOR-MODEL NO. M165-97TC CLASSIC (96051016601), PROD. NO. 96051 01-66
SEAT ASSEMBLY 42**



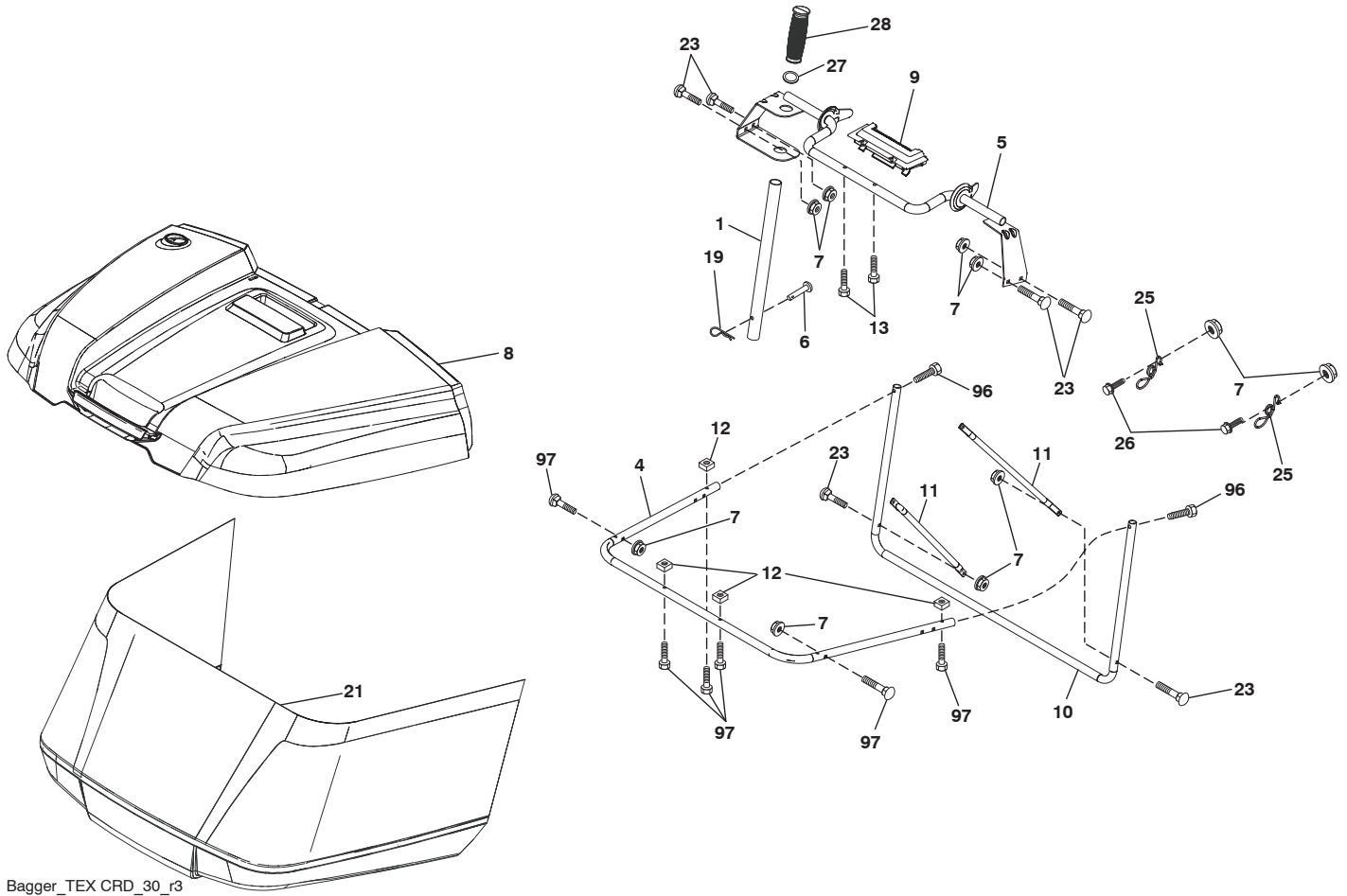
seat-tex_6.5SL_1_r2

KEY NO.	PART NO.	DESCRIPTION
1	581 46 20-01	Seat
2	532 18 01-66	Bracket Pnt Pivot Fender
3	532 14 06-75	Strap
6	873 80 06-00	Nut Lock Hex w/Ins 3/8-16
7	589 48 35-01	Spring Seat Cprsn 2 250 Blk Zi
8	532 17 18-77	Bolt 5/16-18 unc x 3/4
10	587 23 20-02	Pan Pnt Seat
21	587 90 78-01	Bolt Shoulder 5/16-18 x 5/8

KEY NO.	PART NO.	DESCRIPTION
37	873 80 05-00	Nut Hex Lock w/Ins 5/16-18
40	532 19 76-61	Handle Slide
41	532 19 82-00	Spring Latch
43	874 76 06-12	Bolt 3/8-16 unc x 3/4
44	501 05 18-01	Washer Winged 3/8 ID x 1.5 OD

NOTE: All component dimensions given in U.S. inches
1 inch = 25.4 mm

TRACTOR-MODELNO.M165-97TCCLASSIC (96051016601), PROD.NO.9605101-66
BAGGER **46**



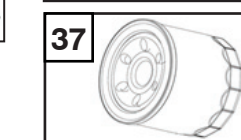
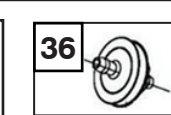
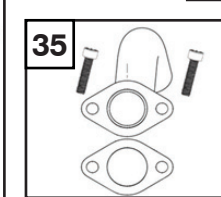
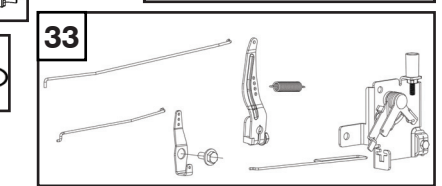
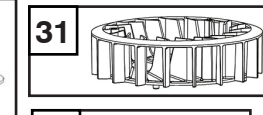
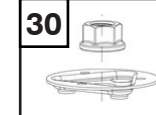
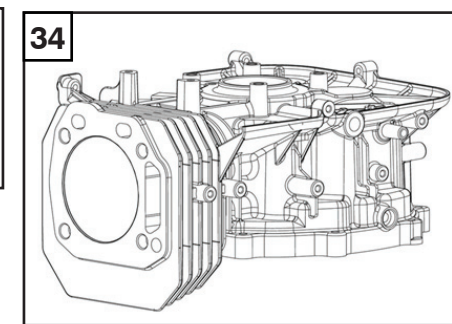
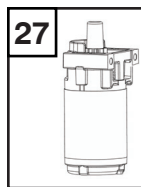
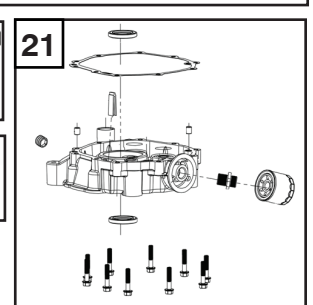
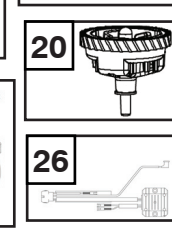
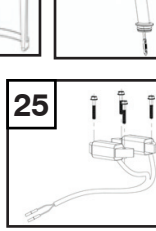
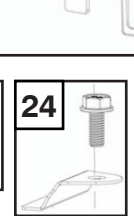
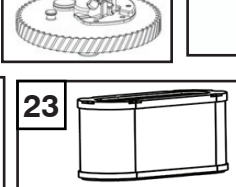
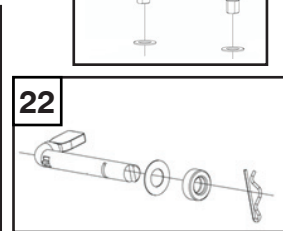
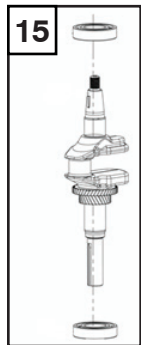
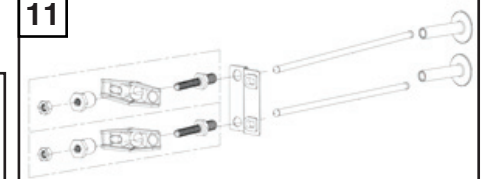
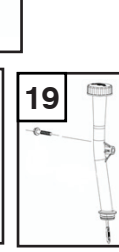
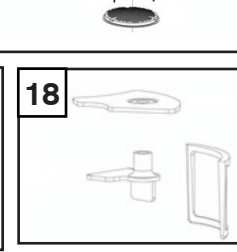
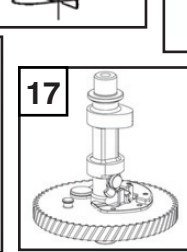
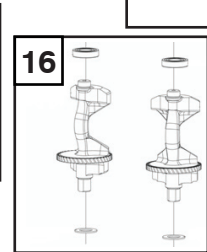
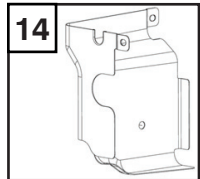
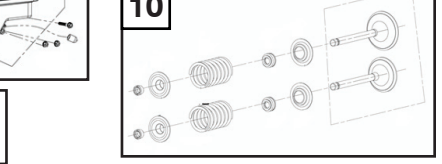
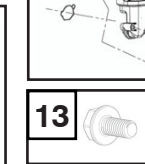
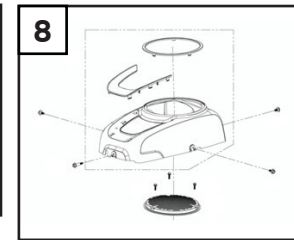
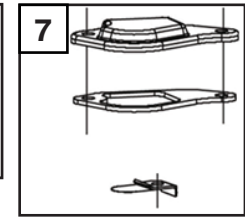
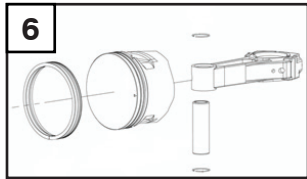
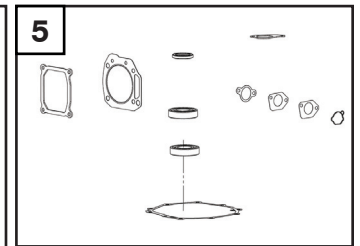
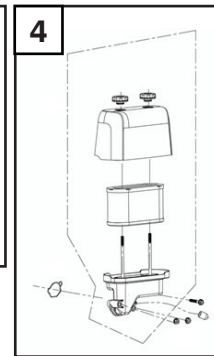
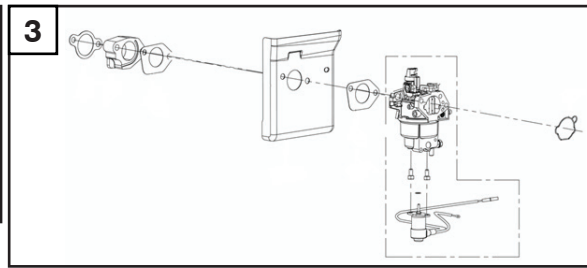
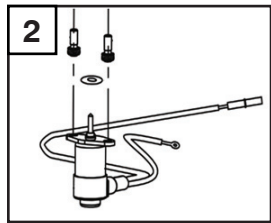
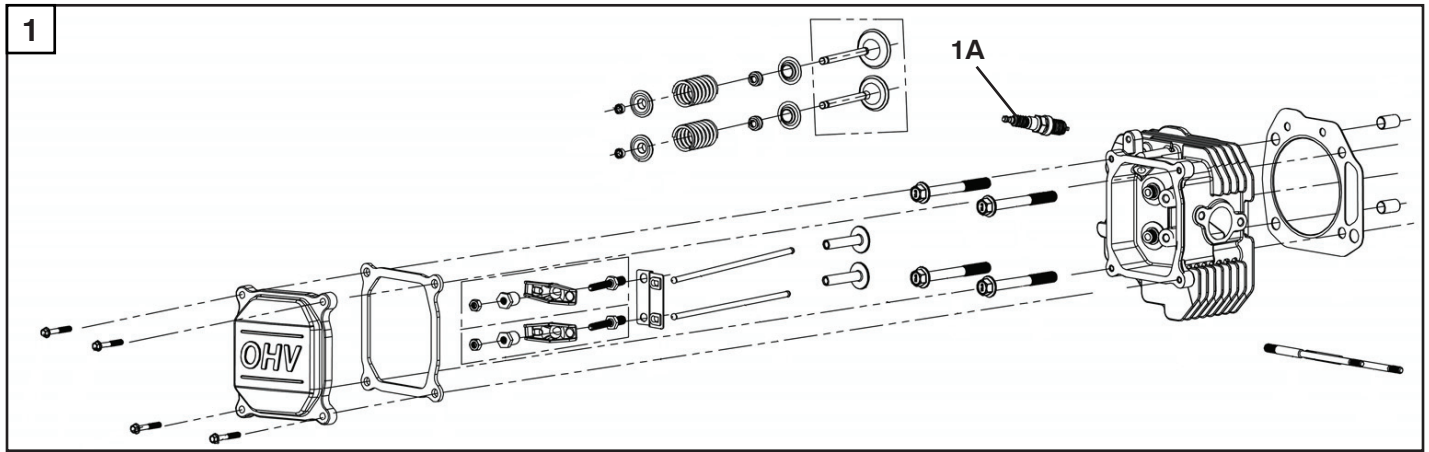
Bagger_TEX CRD_30_r3

**TRACTOR-MODEL NO. M165-97TC CLASSIC (96051016601), PROD. NO. 96051 01-66
BAGGER 46**

KEY NO.	PART NO.	DESCRIPTION
1	532 42 86-10	Tube Handle Bagger
4	579 78 54-01	Frame Asm Bagger Top
5	532 41 76-32	Frame Asm Top Bagger
6	532 12 68-75	Rivet Drilled
7	873 90 04-00	Nut Hex Flange 1/4-20 unc
8	532 42 59-54	Cover Bagger
9	532 41 76-29	Insert Handle Bagger
10	532 43 67-70	Frame Front
11	532 43 67-71	Tubing Brace Bagger
12	532 42 17-93	Nut Square 1/4
13	532 42 17-80	Screw 1/4 x 1.150
19	532 19 42-08	Cotter Pin 5/16 Bow Tie
21	581 33 70-01	Bag Asm
23	872 04 04-10	Bolt Carr. 1/4-20
25	532 42 16-14	Spring Latch
26	817 49 04-12	Screw 1/4-20
27	532 42 12-62	Grommet Rubber
28	532 16 57-87	Grip Handle Black
96	501 40 66-01	Screw Hex Cap 1/4-20 x 1.500
97	590 10 57-01	Screw Torx Butn HD 1/4-20-1.5"

NOTE: All component dimensions given in U.S. inches
1 inch = 25.4 mm

**TRACTOR-MODEL NO.M165-97TC CLASSIC (96051016601), PROD.NO.9605101-66
MCCULLOCH ENGINE (452 CC)**



**TRACTOR-MODEL NO. M165-97TC CLASSIC (96051016601), PROD. NO. 96051 01-66
MCCULLOCH ENGINE (452 CC)**

ITEM NO.	PART NO.	DESCRIPTION	QTY.
1	590 90 49-01	CYLINDER HEAD COMP KIT	1
1A	591 16 55-01	SPARK PLUG	1
2	590 90 51-01	SOLENOID KIT	1
3	590 90 52-01	CARBURETOR KIT	1
4	590 90 53-01	AIR CLEANER KIT	1
5	590 90 54-01	GASKET AND SEAL KIT	1
6	590 90 55-01	PISTON AND RING SET, PISTON KIT	1
7	590 90 56-01	COVER COMP BREATHER AND STRAINER FUEL KIT	1
8	590 90 57-01	START COVER KIT	1
10	590 97 17-01	VALVE KIT	1
11	590 97 18-01	ROCKER ARM KIT	1
13	590 97 19-01	HEXAGON BOLT WITH FLANGE	1
14	590 97 21-01	AIR DEFLECTOR	1
15	590 97 22-01	CRANKSHAFT KIT	1
16	590 97 23-01	BALANCING SHAFT KIT	1
17	590 97 24-01	CAMSHAFT ASSY	1
18	590 97 25-01	OIL STRAINER KIT	1
19	590 97 26-01	FILL TUBE KIT	1
20	590 97 27-01	COMPONENTS OF GOVERNOR GEAR	1
21	590 97 28-01	CRANKCASE COVER KIT	1
22	590 97 29-01	SPEED REGULATING ARM KIT	1
23	590 97 31-01	AIR FILTER ELEMENT COMBINATION	1
24	590 97 35-01	PRESSING PLATE KIT	1
25	590 97 36-01	CHARGING ARMATURE KIT	1
26	590 97 38-01	VOLTAGE RECTIFIER	1
27	590 97 43-01	STARTER MOTOR KIT	1
28	590 97 58-01	COIL ASSY.,IGNNTION	1
29	590 97 80-01	FLYWHEEL COMP	1
30	590 99 22-01	STARTING DISC KIT	1
31	590 99 23-01	IMPELLER	1
32	590 96 59-01	BREATHER TUBE	1
33	590 99 25-01	THROTTLE LEVER KIT	1
34	592 95 11-01	CRANKCASE BODY KIT	1
35	592 95 20-01	EXHAUST PIPE KIT	1
36	591 16 58-01	FUEL FILTER	1
37	591 16 59-01	OIL FILTER	1

