

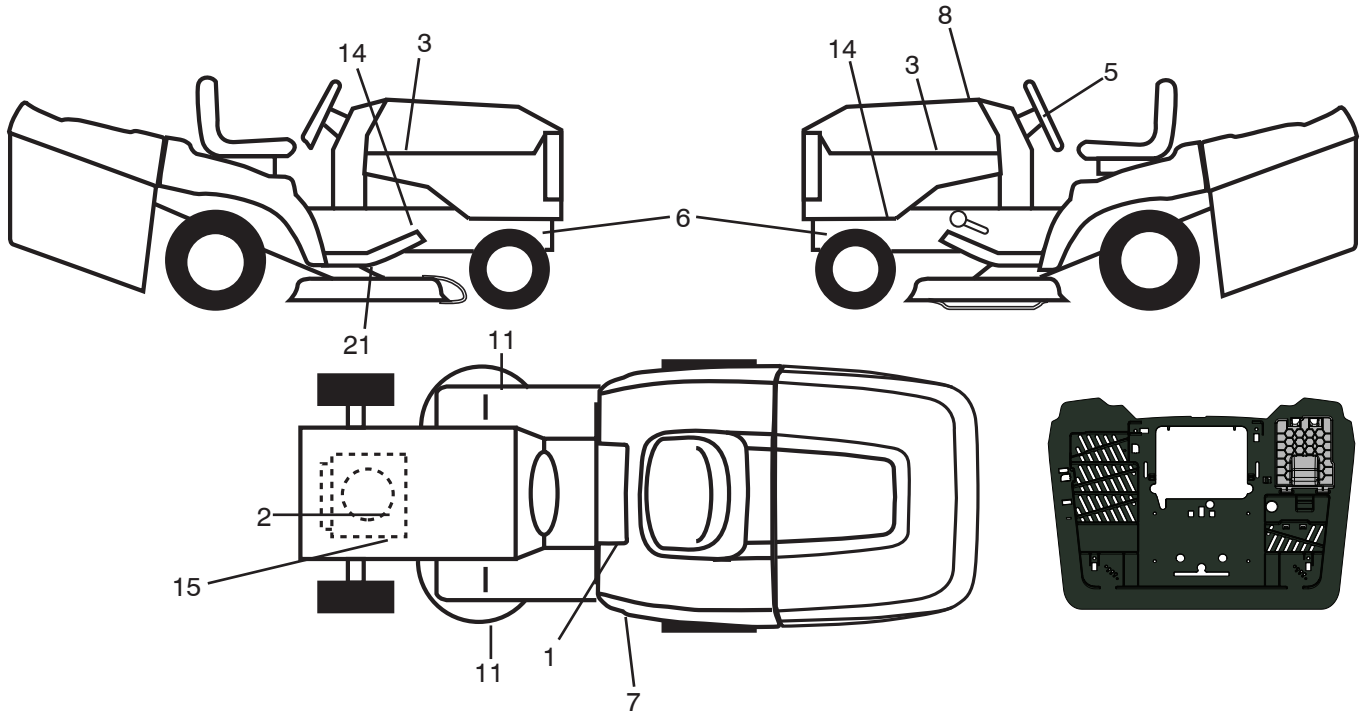
ILLUSTRATED PARTS LIST

MFG. ID NO. 96051015300

CUST. CAT. NO. M200-107TC POWERDRIVE

PRODUCT NO. 960 51 01-53

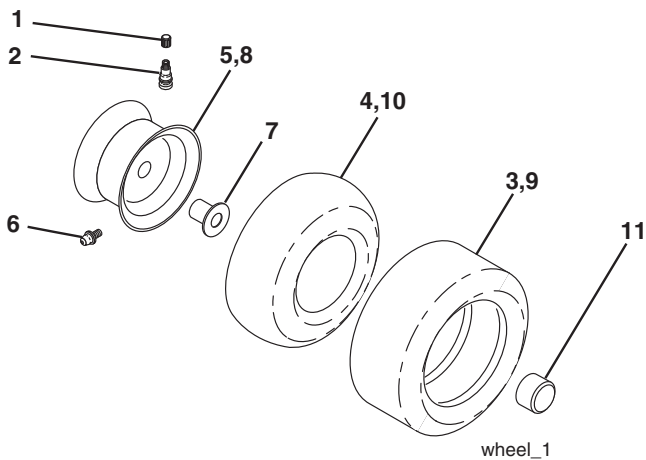
TRACTOR - MODEL NO. M200-107TC (96051015300), PROD. NO. 960 51 01-53
DECALS 27



| KEY NO. | PART NO. | DESCRIPTION |
|---------|--------------|----------------------------|
| 1 | 581 57 83-01 | Decal, Warning |
| 2 | 581 57 97-01 | Decal, Warning Eng. Sym. |
| 3 | 581 09 12-01 | Decal, Hood RH/LH |
| 5 | 501 49 43-01 | Decal, Steering Wheel |
| 6 | 581 57 98-01 | Decal, Warning |
| 7 | 581 96 50-01 | Decal, SDFNDR |
| 8 | 582 87 96-01 | Decal, Replacement |
| 11 | 581 57 91-01 | Decal, Cut Finger |
| 14 | 581 57 96-01 | Decal, Chassis Hot Muffler |

| KEY NO. | PART NO. | DESCRIPTION |
|---------|--------------|----------------------------|
| 15 | 581 25 90-01 | Decal, Engine HP |
| 21 | 532 44 11-89 | Decal, Belt Sch CRD |
| -- | 583 90 19-01 | Decal, Bypass |
| -- | 532 42 59-86 | Pad Footrest RH |
| -- | 532 42 59-76 | Pad Footrest LH |
| -- | 115 85 16-40 | Manual Operator's (Euro) |
| -- | 115 85 17-50 | Manual Operator's (Scan) |
| -- | 115 85 18-20 | Manual Operator's (E-Bloc) |
| -- | 115 85 19-30 | Manual Operator's (Baltic) |

WHEELS & TIRES



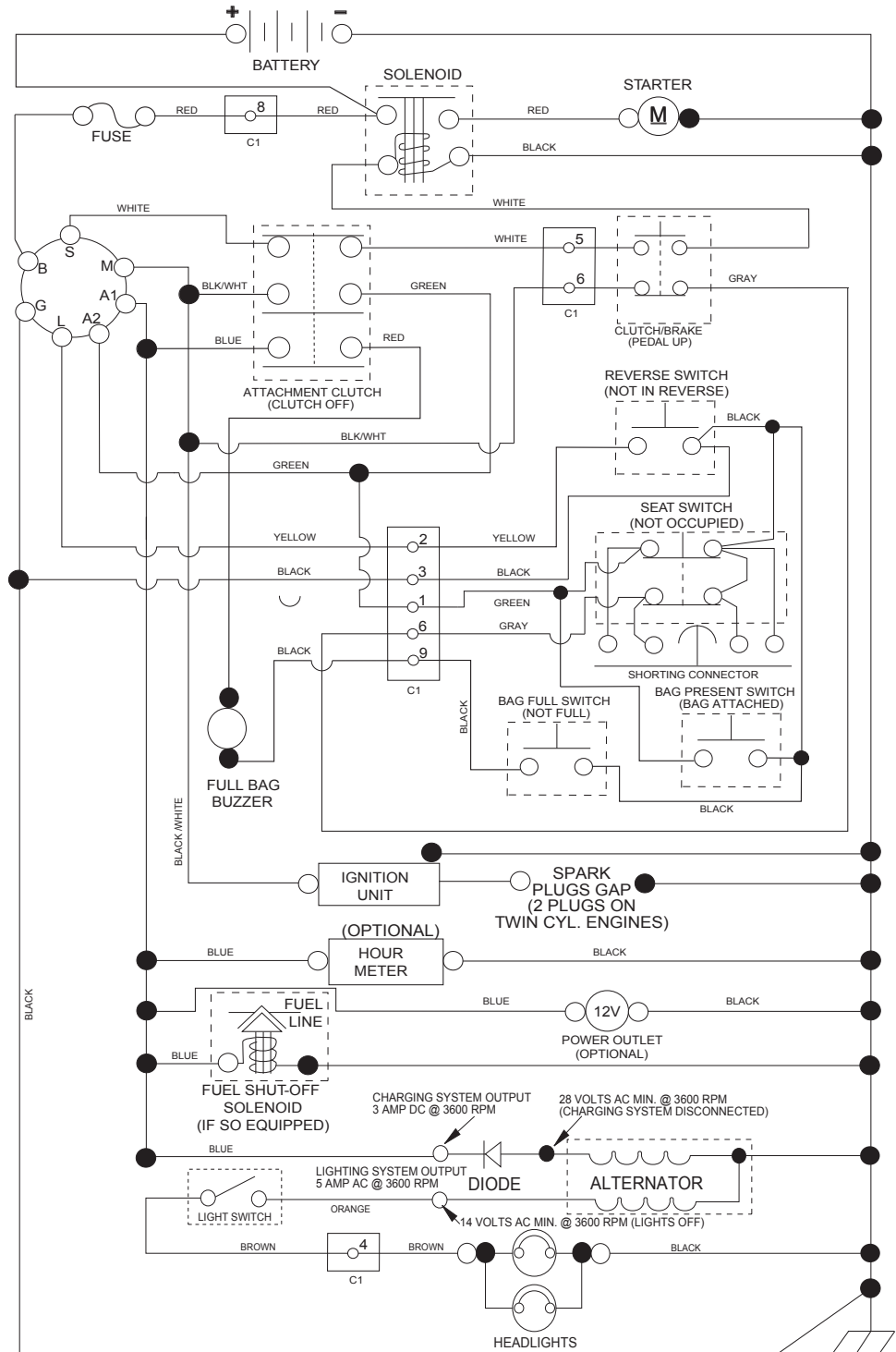
| KEY NO. | PART NO. | DESCRIPTION |
|---------|--------------|-----------------------------|
| 1 | 532 05 91-92 | Cap Valve Tire |
| 2 | 532 06 51-39 | Stem Valve |
| 3 | 532 10 62-22 | Tire Front 15 x 6-6 |
| 4 | 532 05 99-04 | Tube Inner Front #35060 |
| 5 | 532 12 51-21 | Rim Asm 6" Front Service |
| 6 | 532 12 49-57 | Fitting Grease |
| 7 | 532 12 49-59 | Bearing Flange |
| 8 | 532 12 51-22 | Rim Asm 8" Rear Service |
| 9 | 532 42 05-31 | Tire Rear 18 x 9.5-8 |
| 10 | 532 12 49-26 | Tube Rear 9 5 x 8 Service |
| 11 | 532 19 32-68 | Cap Axle |
| -- | 532 14 43-34 | Sealant, Tire (10 oz. Tube) |

NOTE: All component dimensions given in U.S. inches
 1 inch = 25.4 mm

TRACTOR - MODEL NO. M200-107TC (96051015300), PROD. NO. 960 51 01-53

SCHEMATIC 38

SCH17



NOTE
YOUR TRACTOR IS EQUIPPED WITH A SPECIAL ALTERNATOR SYSTEM. THE LIGHTS ARE NOT CONNECTED TO THE BATTERY, BUT HAVE THEIR OWN ELECTRICAL SOURCE. BECAUSE OF THIS, THE BRIGHTNESS OF THE LIGHTS WILL CHANGE WITH ENGINE SPEED. AT IDLE THE LIGHTS WILL DIM. AS THE ENGINE SPEED IS INCREASED, THE LIGHTS WILL BECOME THEIR BRIGHTEST.

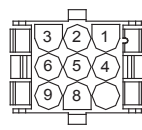


IGNITION SWITCH

| POSITION | CIRCUIT | "MAKE" |
|--------------|------------|--------|
| OFF | M+G+A1 | |
| RUN/OVERRIDE | B+A1 | |
| RUN | B+A1 | L+A2 |
| START | B + S + A1 | |



CHASSIS HARNESS CONNECTOR (C1) (MATING SIDE)



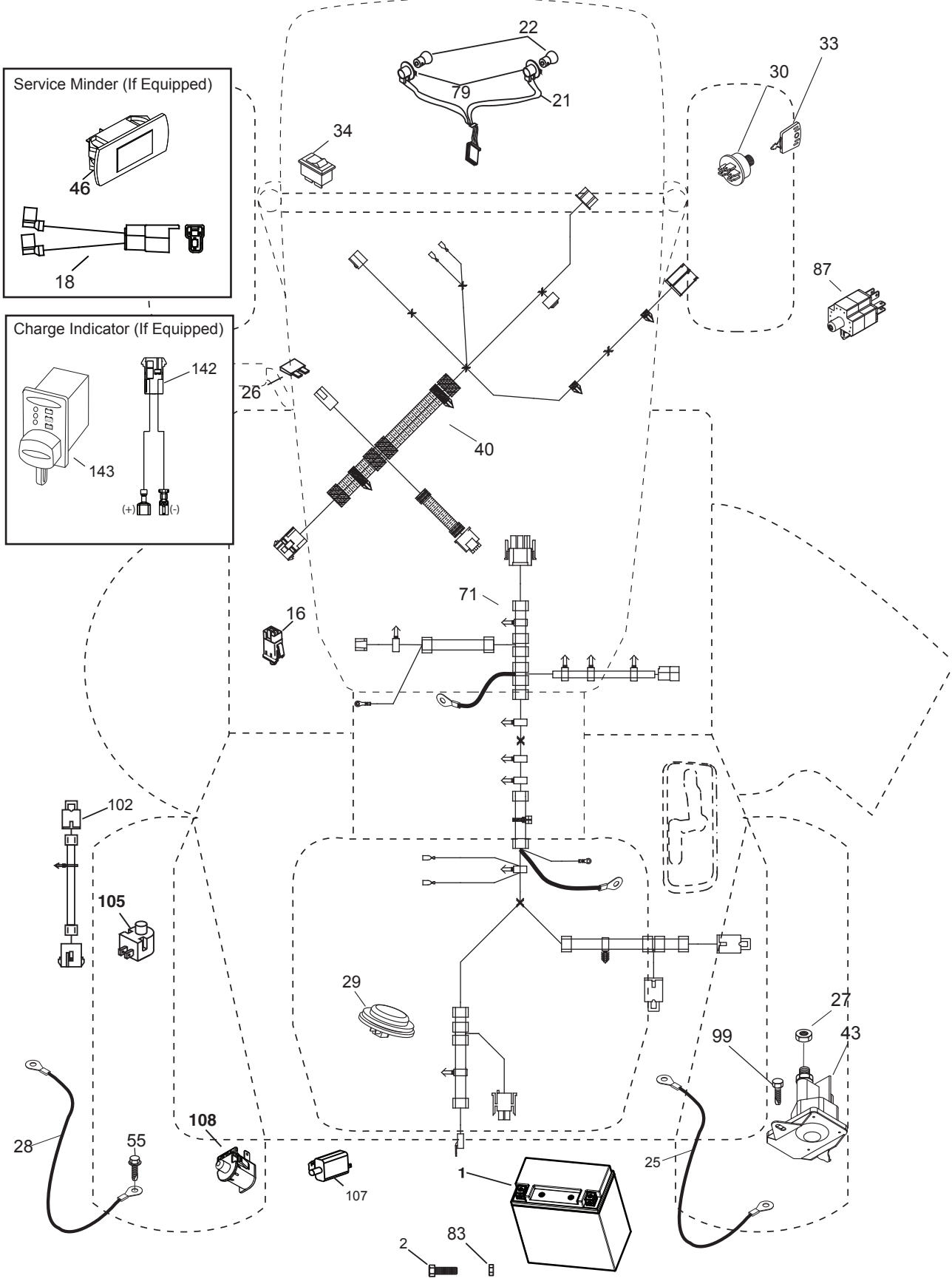
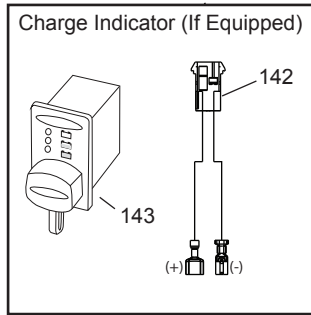
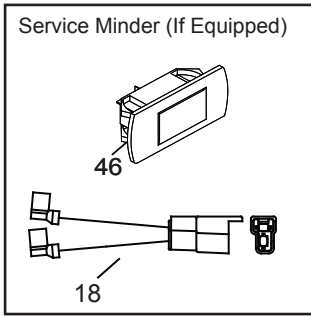
DASH HARNESS CONNECTOR (C1) (MATING SIDE)

WIRING INSULATED CLIPS
NOTE: IF WIRING INSULATED CLIPS WERE REMOVED FOR SERVICING OF UNIT, THEY SHOULD BE RE-INSTALLED TO PROPERLY SECURE YOUR WIRING.

NON-REMOVABLE CONNECTIONS
REMOVABLE CONNECTIONS

TRACTOR - MODEL NO. M200-107TC (96051015300), PROD. NO. 960 51 01-53
ELECTRICAL 32

TC03S

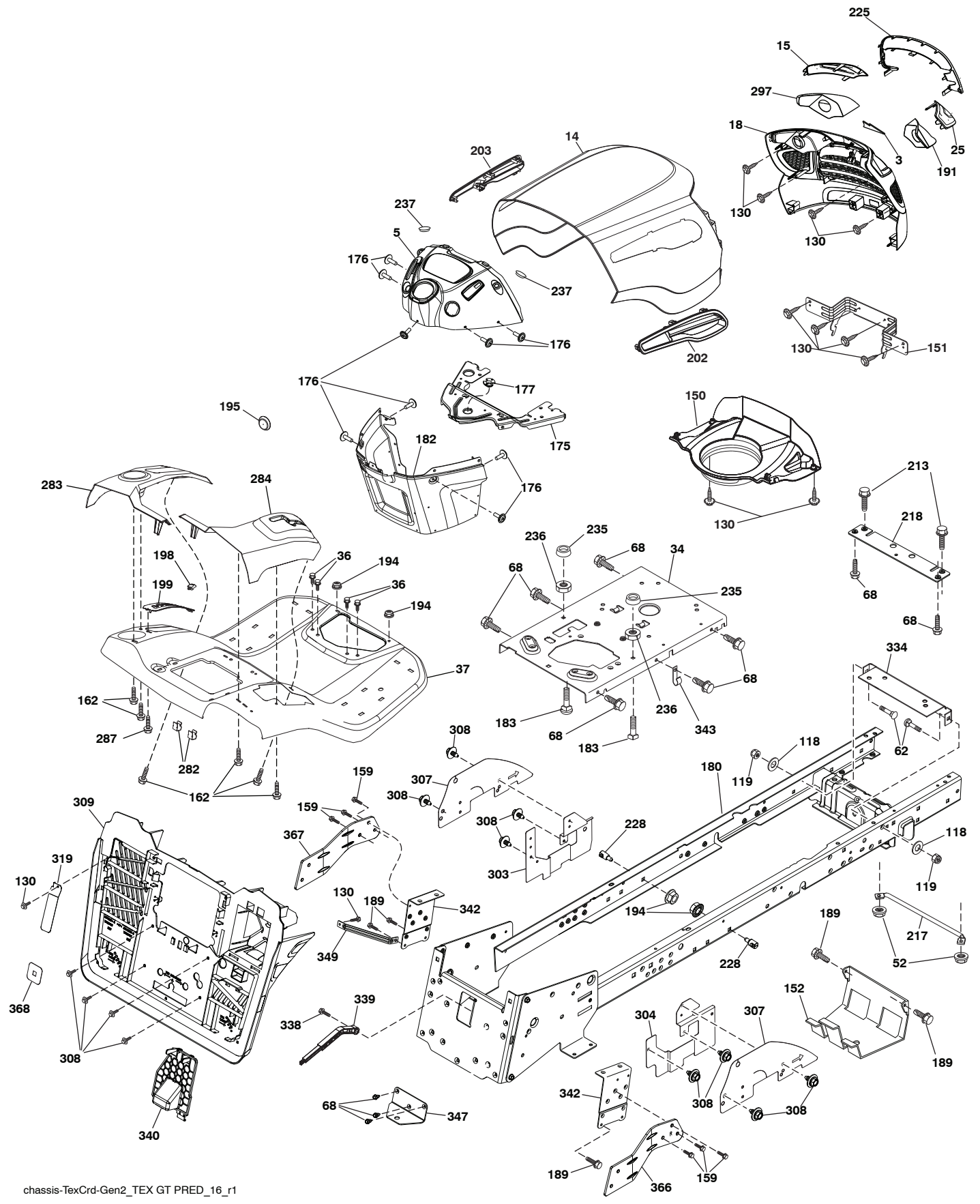


**TRACTOR - MODEL NO. M200-107TC (96051015300), PROD. NO. 960 51 01-53
ELECTRICAL 32**

| KEY NO. | PART NO. | DESCRIPTION |
|----------------|-----------------|--------------------------------|
| 1 | 532 43 71-57 | Battery |
| 2 | 532 44 09-23 | Screw Hex Hd Cap M6 x 1.12mm |
| 16 | 532 17 61-38 | Switch Interlock |
| 21 | 532 40 02-52 | Harness Asm Light w/4152J |
| 22 | 532 00 41-52 | Bulb Light #1156 |
| 25 | 532 44 13-82 | Cable Battery Red |
| 26 | 532 17 51-58 | Fuse |
| 27 | 873 51 04-00 | Nut Keps Hex 1/4-20 unc |
| 28 | 532 44 13-83 | Cable Ground Black |
| 29 | 532 40 15-45 | Switch Seat |
| 30 | 532 19 33-50 | Switch Ignition |
| 33 | 532 41 19-35 | Key/Chain |
| 34 | 532 11 07-12 | Switch Light |
| 40 | 532 42 10-02 | Harness Ignition Dash |
| 43 | 582 04 28-01 | Solenoid |
| 55 | 817 06 05-12 | Screw 5/16-18 x 3/4 |
| 71 | 581 02 33-01 | Harness Chassis |
| 79 | 532 17 52-42 | Socket Asm. |
| 83 | 532 43 67-74 | Nut Square M6 x 1 x 8.5 x 11mm |
| 87 | 532 42 10-60 | Switch Railmount |
| 99 | 817 00 05-12 | Screw 5/16-18 x 3/4 Thdrol |
| 102 | 581 02 35-01 | Harness Pigtail |
| 105 | 532 40 75-68 | Switch Reverse |
| 107 | 532 18 03-79 | Switch Full Bagger Indicator |
| 108 | 532 42 10-62 | Switch Snapmount |

NOTE: All component dimensions given in U.S. inches
1 inch = 25.4 mm

TRACTOR - MODEL NO. M200-107TC (96051015300), PROD. NO. 960 51 01-53
CHASSIS AND ENCLOSURES **39**

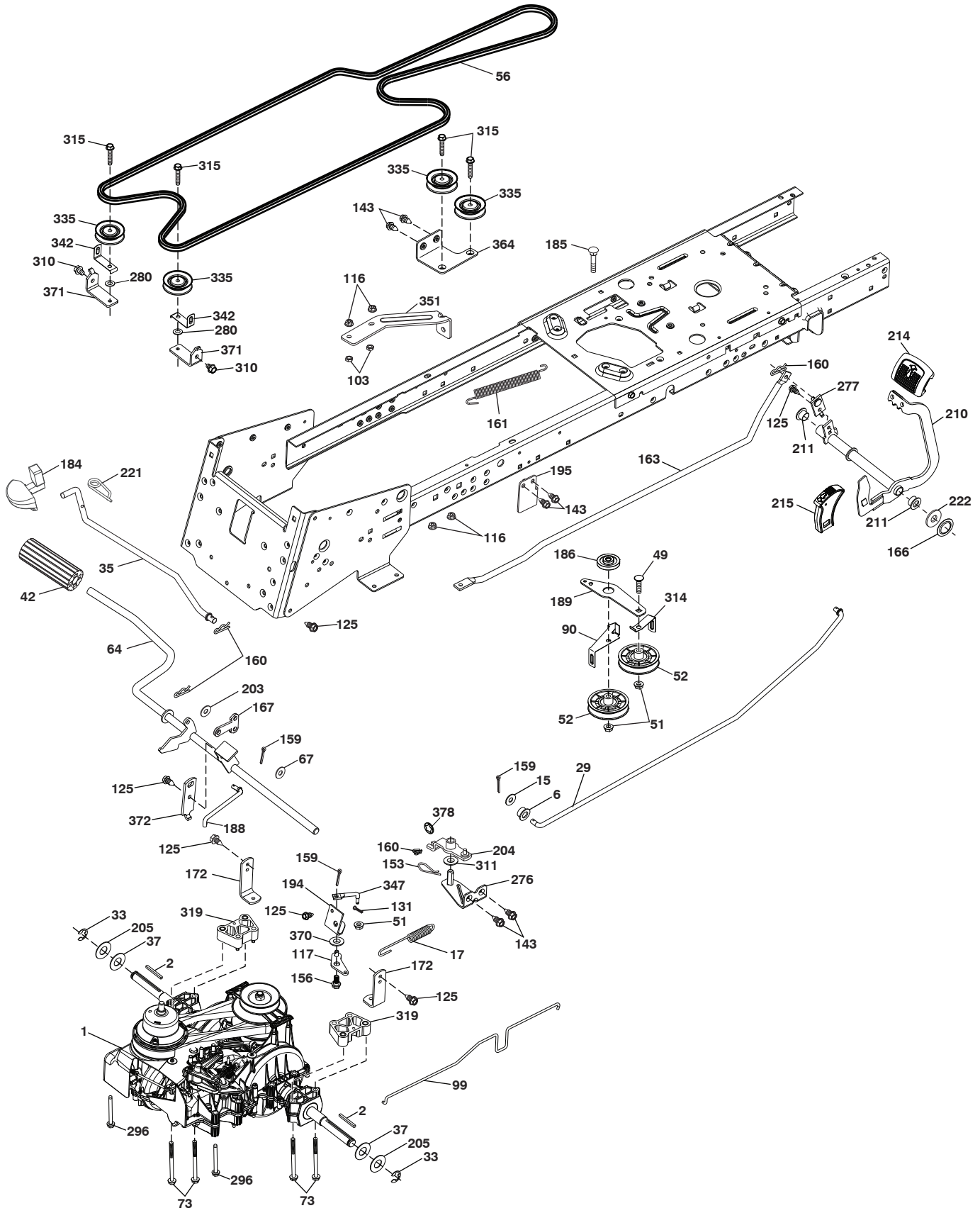


**TRACTOR - MODEL NO. M200-107TC (96051015300), PROD. NO. 960 51 01-53
CHASSIS AND ENCLOSURES 39**

| KEY NO. | PART NO. | DESCRIPTION | KEY NO. | PART NO. | DESCRIPTION |
|------------|--------------|-----------------------------------|------------|--------------|---------------------------------|
| 3 | 578 89 71-01 | Emblem Mount | 217 | 532 40 91-67 | Rod Pivot Hood |
| 5 | 532 44 18-82 | Dash | 218 | 532 19 63-95 | X-Piece Hood Stop |
| 14 | 532 44 80-42 | Hood | 225 | 581 10 32-01 | Trim Ring |
| 15 | 581 10 31-01 | Lens LH | 228 | 532 19 51-61 | Stud Fastener |
| 18 | 581 10 29-01 | Grille | 235 | 532 40 61-29 | Spacer Fender |
| 25 | 581 10 30-01 | Lens RH | 236 | 873 93 05-00 | Nut Lock 5/16-18 unc |
| 34 | 580 91 09-01 | Plate Engine | 237 | 532 40 37-04 | Plug Mount Cargo |
| 36 | 817 06 05-12 | Screw 5/16-18 x 3/4 | 282 | 532 41 41-10 | Clip Retainer |
| 37 | 532 44 08-49 | Fender | 283 | 532 44 76-71 | Console Deck Lift |
| 52 | 873 68 05-00 | Nut Crown Lock 5/16 | 284 | 532 44 72-11 | Console Shift RH |
| 62 | 872 11 06-08 | Bolt 3/8-16 x 1 Gr. 5 | 287 | 817 60 04-06 | Screw Hex Washhead 1/4-20 x 3/8 |
| 68 | 539 99 08-58 | Screw Thdr 5/16-18 x 1/2 TYTT | 297 | 581 22 36-01 | Insert Reflective LH |
| 118 | 819 13 13-16 | Washer 13/32 x 13/16 x 16 Ga. | 303 | 587 49 31-02 | Shield, LWR LH |
| 119 | 873 68 06-00 | Nut 3/8-16 unc | 304 | 589 41 30-02 | Shield, LWR RH |
| 130 | 532 41 63-58 | Screw #10 x 0.750 BOS Thread | 307 | 587 49 45-01 | Shield, Chassis Upper |
| 150 | 584 86 29-01 | Duct, Air | 308 | 532 17 18-77 | Bolt 5/16-18 unc x 3/4 |
| 151 | 532 44 54-94 | Bracket Pivot Hood | 309 | 581 32 89-11 | Backplate Bagger |
| 152 | 532 19 95-35 | Shield Browning | 319 | 581 31 39-06 | Lever Bagger |
| 159 | 817 00 06-12 | Screw Hexwsh Thdr 3/8-16 x 3/4 | 334 | 532 44 25-37 | Engine Plate |
| 162 | 532 14 24-32 | Screw HexWsh. Hi-Lo 1/4 x 1/2 unc | 338 | 532 43 66-40 | Bolt Shoulder |
| 175 | 532 19 63-04 | Crossmember | 339 | 532 43 66-41 | Lever Bagger Full |
| 176 | 532 40 07-76 | Screw 10-24 x 5/8 | 340 | 581 32 90-01 | Door Battery |
| 177 | 532 19 52-28 | Bushing Steering | 342 | 582 82 68-02 | Support Fender |
| 180 | 582 74 61-01 | Chassis | 343 | 532 44 07-49 | Clip |
| 182 | 586 73 86-02 | Dash Lower | 347 | 532 44 58-32 | Hitch |
| 183 | 874 52 05-20 | Bolt 5/16-18 x 1-1/4 | 349 | 532 43 66-06 | Bracket, Support |
| 189 | 817 00 05-12 | Screw 5/16-18 x 3/4 | 366 | 581 31 46-02 | Bracket RH Front Bagger |
| 191 | 581 22 35-01 | Insert Reflective RH | 367 | 581 31 45-02 | Bracket LH Front Bagger |
| 194 | 873 90 05-00 | Nut Lock Hex Flange 5/16-18 | 368 | 581 42 48-01 | Full Lever Bagger |
| 195 | 532 40 41-37 | Plug 12V Adapter | -- | 532 44 11-26 | Plug Dash |
| 198 | 532 44 80-48 | Indicator Deck Lift | -- | 532 40 09-44 | Bumper |
| 199 | 532 41 87-39 | Plate Deck Lift | | | |
| 202 | 581 85 91-01 | Vent Hood RH | | | |
| 203 | 581 85 92-01 | Vent Hood LH | | | |
| 213 | 874 76 05-12 | Bolt 5/16-18 x 3/4 | | | |

NOTE: All component dimensions given in U.S. inches
1 inch = 25.4 mm

TRACTOR - MODEL NO. M200-107TC (96051015300), PROD. NO. 960 51 01-53
DRIVE **40**

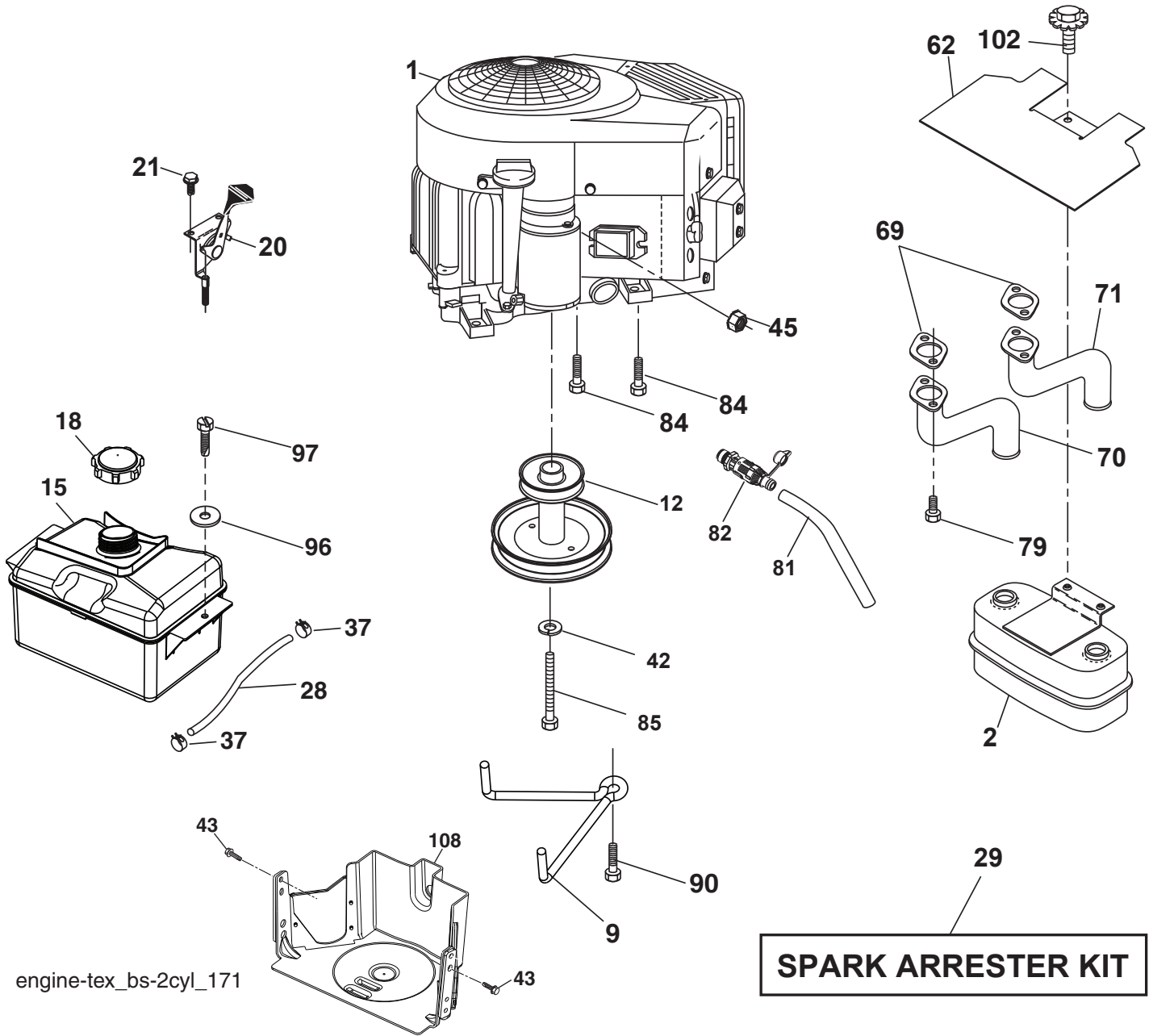


**TRACTOR - MODEL NO. M200-107TC (96051015300), PROD. NO. 960 51 01-53
DRIVE 40**

| KEY NO. | PART NO. | DESCRIPTION | KEY NO. | PART NO. | DESCRIPTION |
|------------|--------------|---|------------|--------------|-----------------------------------|
| 1 | ----- | Transmission, Gentrans VATR. (582491201) (Order parts from transaxle manufacturer.) | 185 | 872 11 06-22 | Bolt Rdhd.3/8-16 Unc x 2-3/4 Gr.5 |
| 2 | 532 12 35-83 | Key Square .20 x .1845/.1865 | 186 | 532 19 43-21 | Spacer Retainer |
| 6 | 532 12 40-28 | Bushing Snap | 188 | 582 21 70-01 | Link Clutch Ground Drive Long |
| 15 | 819 13 13-16 | Washer 13/32 x 13/16 x 16 Ga. | 189 | 532 43 36-11 | Bellcrank Groundrive |
| 17 | 580 32 52-01 | Spring Brake | 194 | 583 87 86-01 | Bellcrank Brake |
| 29 | 581 50 35-01 | Rod Brake | 195 | 580 45 69-02 | Brake Bracket |
| 33 | 812 00 00-01 | E-Ring. #5133-75 | 203 | 819 11 11-16 | Washer 11/32 x 11/16 x 16 Ga. |
| 35 | 583 86 45-01 | Rod Control Parking | 204 | 584 99 70-01 | Link Pivot Pedal |
| 37 | 532 18 89-67 | Washer Harden .793 x 1.637 x 060 | 205 | 532 12 17-48 | Washer 25/32 x 1-5/8 x 16 Ga. |
| 42 | 532 12 48-72 | Cover Pedal Blk Round | 210 | 588 92 10-01 | Pedal Asm Rocker VATR |
| 49 | 872 11 06-14 | Bolt Rdhd 3/8-16 Unc x 1-3/4.Gr 5 | 211 | 532 12 01-83 | Bearing Nylon |
| 51 | 873 90 06-00 | Nut, Hex, Flangelock 3/8-16 | 214 | 532 42 12-63 | Pedal Forward Pad |
| 52 | 532 19 43-26 | Idler V-Groove Offset | 215 | 582 53 28-01 | Cap Pedal Reverse |
| 56 | 532 44 69-91 | Belt Drive | 221 | 532 40 31-87 | Retainer Spring Clip Handle |
| 64 | 532 44 83-53 | Shaft Asm. Pedal Brake | 222 | 879 21 20-10 | Washer 21/32 x 1-1/4 10 Ga. |
| 67 | 582 58 01-01 | Washer Nylon 13/32 x 13/16 x 1.09 | 276 | 590 63 01-02 | Bracket Control Pedal |
| 73 | 580 83 04-01 | Bolt Shoulder Transaxle | 277 | 532 44 85-00 | Subasm. Link Rocker Pedal |
| 90 | 532 44 36-05 | Keeper Belt | 280 | 819 11 10-12 | Washer 11/32 x 5/8 x 12 Ga. |
| 99 | 580 35 40-01 | Rod Bypass | 296 | 532 42 04-71 | Screw Thdrol 5/16-18 x 3 |
| 103 | 873 35 05-00 | Nut Hex Jam 5/16-18 UNC | 310 | 817 49 06-08 | Screw Thdrol 3/8-16 x 1/2 |
| 116 | 873 90 05-00 | Nut, Lock Hex Flange 5/16-18 unc | 311 | 585 07 20-01 | Washer Nylon |
| 117 | 580 38 29-01 | Subasm Bellcrank Brake | 314 | 532 44 47-13 | Keeper Belt |
| 125 | 817 00 05-12 | Screw 5/16-18 x 3/4 Smgml Tap/Bl | 315 | 817 58 05-20 | Screw Thdrol 5/16-18 x 1.25 |
| 131 | 876 02 03-08 | Pin Cotter 3/32 x 1/2 | 319 | 580 45 74-01 | Spacer Transaxle |
| 143 | 539 99 08-58 | Screw Thdrol 5/16-18 x 1/2 Tytt | 335 | 532 19 95-34 | Pulley V-Idler |
| 153 | 532 12 49-61 | Retainer Clip | 342 | 580 96 10-02 | Keeper Belt Idler |
| 156 | 580 36 90-01 | Bolt Shoulder Brake | 347 | 580 32 51-01 | Rod Connecting Brake |
| 159 | 876 02 04-12 | Pin Cotter 1/8 x 3/4 | 351 | 532 43 69-98 | Bracket Swaybar |
| 160 | 532 16 94-84 | Retainer Clip(M).Dia.290 | 364 | 532 44 30-32 | Bracket Idler |
| 161 | 532 10 57-09 | Spring Return Clutch 6.75 | 370 | 878 12 16-32 | Washer Thrust 3/8 x 1 x .032 |
| 163 | 532 44 82-72 | Rod Control Pedal | 371 | 580 96 07-02 | Bracket Idler CRD VATR |
| 166 | 532 42 91-64 | Nut Push .625 | 372 | 581 47 52-01 | Arm Control Brake |
| 167 | 532 40 52-57 | Latch Brake Parking | 378 | 584 28 77-01 | Nut Push |
| 172 | 532 44 82-76 | Strap Torque LH/RH | | | |
| 184 | 587 65 37-01 | Handle Parking Brake | | | |

NOTE: All component dimensions given in U.S. inches
1 inch = 25.4 mm

TRACTOR - MODEL NO. M200-107TC (96051015300), PROD. NO. 960 51 01-53
ENGINE 24



**TRACTOR - MODEL NO. M200-107TC (96051015300), PROD. NO. 960 51 01-53
ENGINE 24**

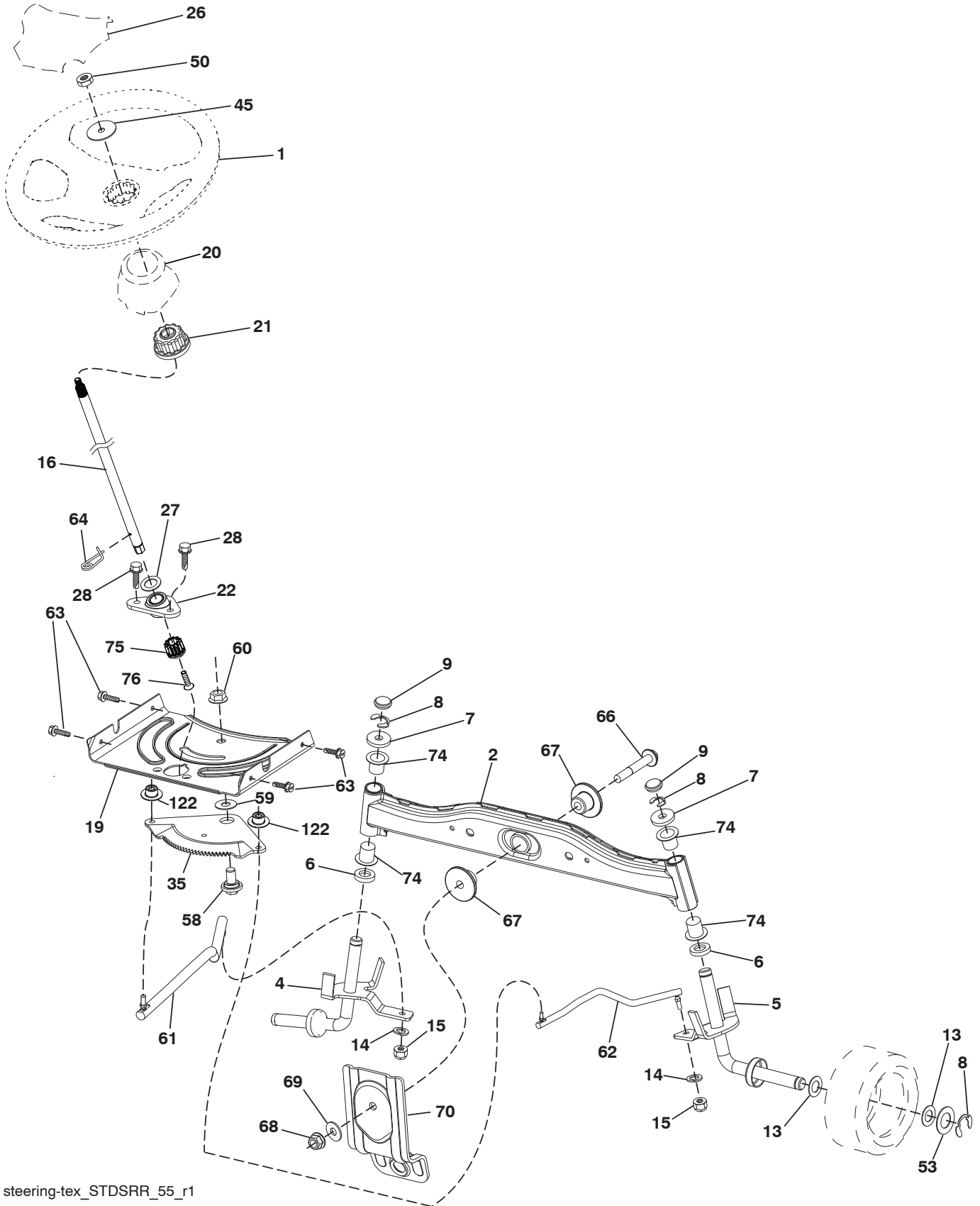
| KEY NO. | PART NO. | DESCRIPTION |
|---------|--------------|--|
| 1 | — — — — — | Engine Briggs Model 40N777-0006-B1 (501257701) (Order parts from engine manufacturer) |
| 2 | 532 14 97-23 | Muffler |
| 9 | 583 84 78-01 | Keeper Belt Engine |
| 12 | 586 47 85-01 | Pulley Engine |
| 15 | 581 29 01-01 | Tank Fuel |
| 18 | 532 43 02-20 | Cap Fuel |
| 20 | 532 42 35-02 | Control Throttle/Choke |
| 21 | 532 41 63-58 | Screw #10 x 0.750 |
| 28 | 532 13 70-40 | Line Fuel |
| 29 | 532 13 71-80 | Kit Spark Arrester (Flat Scrn) |
| 37 | 532 12 34-87 | Clamp Hose Blk |
| 42 | 539 99 02-47 | Washer Lock 7/16 |
| 43 | 817 06 05-16 | Screw 5/16-18 x 1 |
| 45 | 873 51-04-00 | Nut Keps Hex 1/4-20 unc |
| 62 | 532 43 40-17 | Shield Heat Muffler |
| 69 | 532 16 53-91 | Gasket Muffler |
| 70 | 581 88 11-01 | Exhaust Tube LH |
| 71 | 581 88 10-01 | Exhaust Tube RH |
| 79 | 532 18 39-06 | Screw |
| 81 | 532 14 84-56 | Tube Drain |
| 82 | 532 42 82-87 | Valve Oil Drain |
| 84 | 817 06 06-20 | Screw 3/8-16 x 1-1/4 |
| 85 | 501 60 65-01 | Bolt 7/16-20 x 4 x Gr. 5-1.5 Hx Blue |
| 90 | 817 00 06-16 | Screw 3/8-16 x 1 |
| 96 | 819 09 14-16 | Washer 9/32 x 7/8 x 16 Ga. |
| 97 | 817 67 04-12 | Screw Hexwsh Thdrol 1/4-20 x 3/4 |
| 102 | 817 00 05-12 | Screw 5/16-18 x 3/4 |
| 108 | 587 17 95-10 | Cover Pulley Engine w/SHLD |

NOTE: All component dimensions given in U.S. inches
1 inch = 25.4 mm

Engine Power Rating Information

The gross power rating for individual gas engine models is labeled in accordance with SAE (Society of Automotive Engineers) code J1940 (Small Engine Power & Torque Rating Procedure), and rating performance has been obtained and corrected in accordance with SAE J1995 (Revision 2002-05). Torque values are derived at 3060 RPM; horsepower values are derived at 3600 RPM. Actual gross engine power will be lower and is affected by, among other things, ambient operating conditions and engine-to-engine variability. Given both the wide array of products on which engines are placed and the variety of environmental issues applicable to operating the equipment, the gas engine will not develop the rated gross power when used in a given piece of power equipment (actual “on-site” or net power). This difference is due to a variety of factors including, but not limited to, accessories (air cleaner, exhaust, charging, cooling, carburetor, fuel pump, etc.), application limitations, ambient operating conditions (temperature, humidity, altitude), and engine-to-engine variability. Due to manufacturing and capacity limitations, Briggs & Stratton may substitute an engine of higher rated power for this Series engine.

TRACTOR - MODEL NO. M200-107TC (96051015300), PROD. NO. 960 51 01-53
STEERING ASSEMBLY [41]



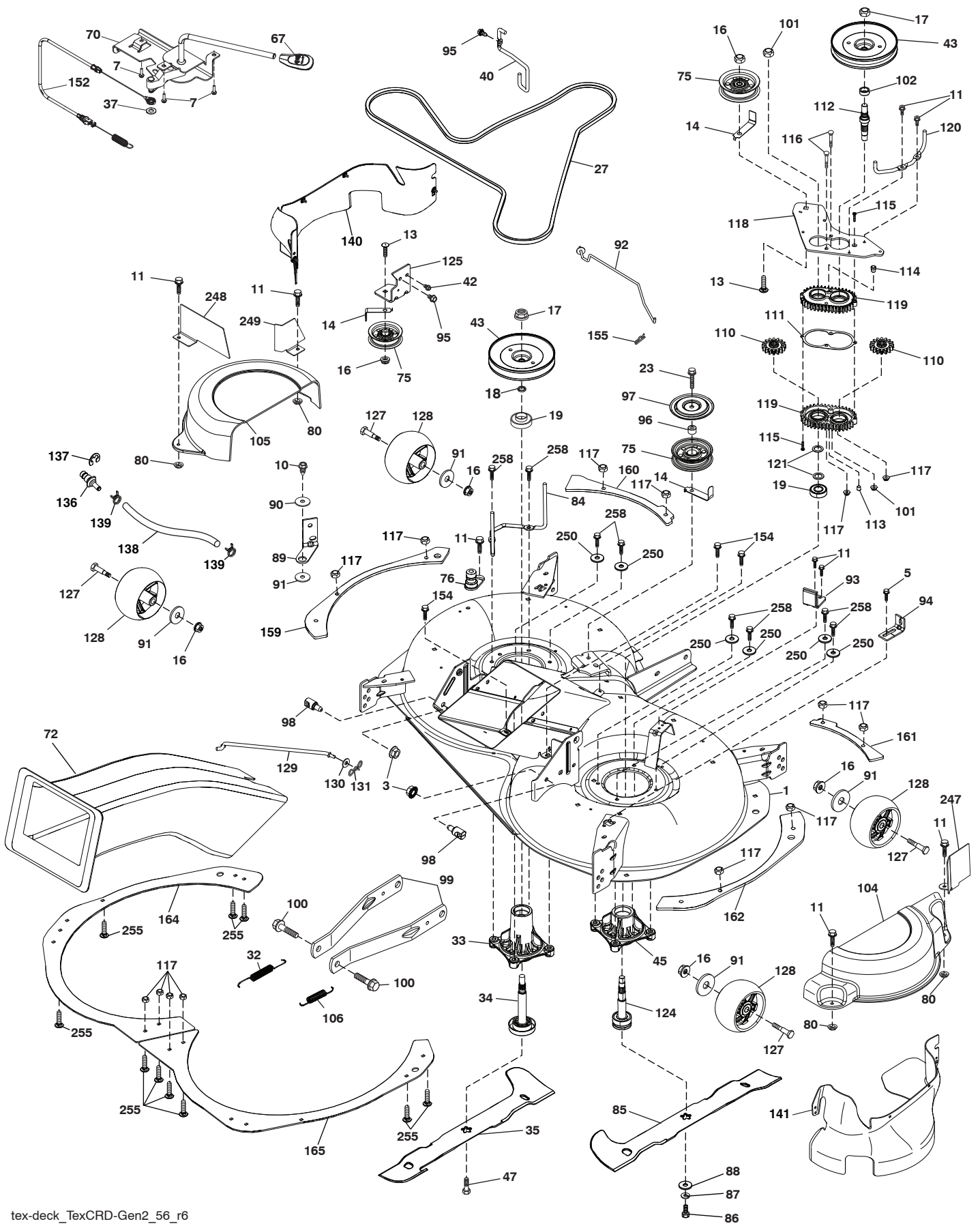
steering-tex_STDSRR_55_r1

**TRACTOR - MODEL NO. M200-107TC (96051015300), PROD. NO. 960 51 01-53
STEERING ASSEMBLY 41**

| KEY NO. | PART NO. | DESCRIPTION |
|----------------|-----------------|-------------------------------------|
| 1 | 532 42 45-51 | Wheel, Steering |
| 2 | 532 41 81-68 | Axle Asm., Front |
| 4 | 532 40 30-87 | Spindle Asm., LH |
| 5 | 532 40 30-88 | Spindle Asm., RH |
| 6 | 532 12 49-31 | Bearing, Race Thrust Harden |
| 7 | 532 12 17-48 | Washer 25/32 x 1-5/8 x 16 Ga. |
| 8 | 812 00 00-29 | Ring, Klip #T5304-75 |
| 9 | 532 12 12-32 | Cap, Spindle |
| 13 | 532 12 17-49 | Washer 25/32 x 1-1/4 x 16 Ga. |
| 14 | 539 99 01-18 | Washer, SLW ZD |
| 15 | 873 54 06-00 | Nut, Crown Lock 3/8-24 unf |
| 16 | 587 01 60-02 | Steering Shaft |
| 19 | 532 19 47-29 | Plate Steering |
| 20 | 532 42 47-40 | Boot, Steering |
| 21 | 586 84 02-01 | Adapter Wheel Steering |
| 22 | 585 02 98-02 | Bearing |
| 26 | 532 42 45-53 | Insert, Wheel Steering |
| 27 | 819 21 16-16 | Washer |
| 28 | 817 00 06-12 | Screw 3/8-16 x 3/4 |
| 35 | 532 19 47-32 | Gear, Sector Plate |
| 45 | 587 01 64-01 | Washer 3/8 ID 2-3/8 OD 12 Ga. PLTD |
| 50 | 873 90 06-00 | Nut Lock Flg 3/8-16 unc |
| 53 | 532 18 89-67 | Washer Hardened .793 x 1.637 x .060 |
| 58 | 532 19 47-47 | Bolt Shoulder Sector Pivot CFM |
| 59 | 532 19 47-48 | Washer Thrust Sector Steering |
| 60 | 873 97 10-00 | Nut Flange Lock 5/8-11 |
| 61 | 532 19 47-40 | Draglink, LH |
| 62 | 532 19 47-41 | Draglink, RH |
| 63 | 817 00 05-12 | Screw 5/16-18 x 3/4 |
| 64 | 532 19 98-49 | Retainer Clip Spring Steering |
| 66 | 871 02 07-48 | Bolt Hex Fghd 7/16-14 x 3 Serr |
| 67 | 532 19 47-37 | Bushing PM Front Axle |
| 68 | 873 90 07-00 | Nut Lock Flange 7/16-14 Gr. 5 |
| 69 | 532 19 91-62 | Washer 1.5 x .505 x .118 |
| 70 | 585 33 88-01 | Bracket Deck Susp. Front |
| 74 | 532 12 49-37 | Bearing |
| 75 | 580 68 37-01 | Pinion |
| 76 | 580 68 36-01 | Screw Head Sock |
| 122 | 532 44 49-62 | Cap Gear Sector |

NOTE: All component dimensions given in U.S. inches
1 inch = 25.4 mm

TRACTOR - MODEL NO. M200-107TC (96051015300), PROD. NO. 960 51 01-53
MOWER DECK 44



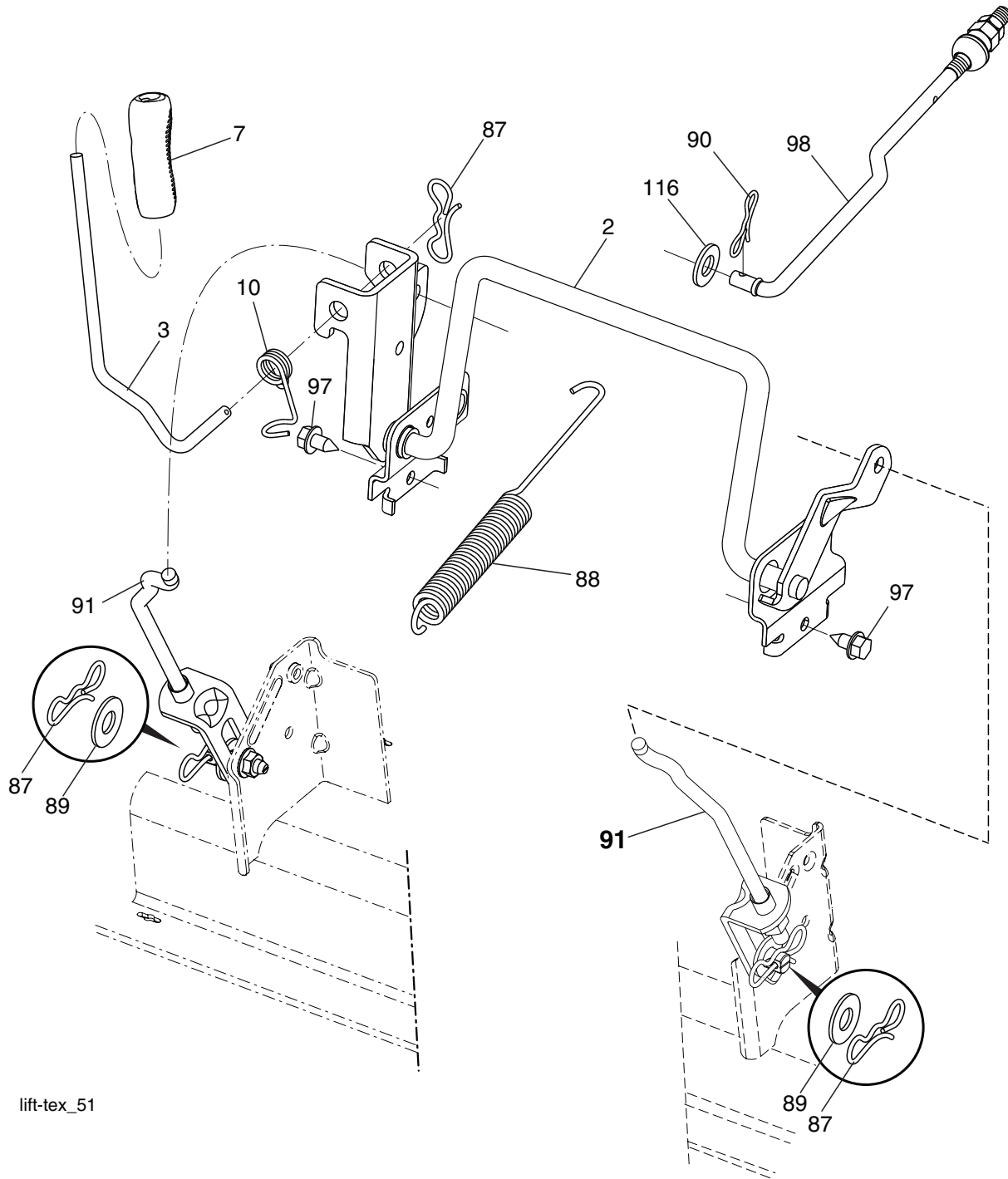
tex-deck_TexCRD-Gen2_56_r6

TRACTOR - MODEL NO. M200-107TC (96051015300), PROD. NO. 960 51 01-53
MOWER DECK 44

| KEY NO. | PART NO. | DESCRIPTION | KEY NO. | PART NO. | DESCRIPTION |
|---------|--------------|-------------------------------------|---------|--------------|---|
| 1 | 532 44 77-36 | Deck Weldment | 117 | 873 90 04-00 | Nut Hex Flg. 1/4-20 unc |
| 3 | 873 90 05-00 | Nut Lock Hex Flange 5/16 - 18 | 118 | 532 44 32-32 | Arm Clutching |
| 5 | 817 00 05-10 | Bolt 5/16-18 | 119 | 532 43 81-66 | Gearcase Subasm |
| 7 | 532 41 63-58 | Screw #10 x 0.750 BOS Thread | 120 | 532 44 32-36 | Keeper Belt RH |
| 10 | 817 00 06-16 | Screw 3/8-16x1 smgml tap | 121 | 532 43 69-85 | Washer |
| 11 | 532 13 77-29 | Screw Thd Roll 1/4 - 20 X 5/8 | 124 | 581 65 07-01 | Non Greasable Mandrel Shaft |
| 13 | 872 11 06-12 | Bolt Carr Sh 3/8 - 16 X 1-1/2 Gr. 5 | 125 | 532 44 04-20 | Bracket Idler Chassis |
| 14 | 532 15 60-85 | Keeper Belt Idler | 127 | 532 19 34-06 | Bolt Shoulder 3/8-16 x 3-5/8 Gr. 5 |
| 16 | 873 90 06-00 | Nut Lock FIG 3/8 - 16 unc | 128 | 589 52 73-01 | Wheel Gauge |
| 17 | 532 40 02-34 | Nut Flange Lock Top | 129 | 532 44 32-37 | Rod Anti-Sway |
| 18 | 532 18 76-90 | Washer Spacer Mandrel | 130 | 819 13 13-12 | Washer 13/32 x 13/16 x 12 Ga. |
| 19 | 585 32 39-01 | Bearing Mandrel | 131 | 532 19 42-08 | Pin Cotter 5/16 Bow Tie Lock |
| 23 | 817 49 06-28 | Screw Thdrol 3/8 - 16 X 1-3/4 | 136 | 532 43 96-39 | Washout Port Remote Hook-up |
| 27 | 532 44 58-80 | V-Belt Drive | 137 | 812 00 00-29 | Ring Klip |
| 32 | 532 40 18-72 | Spring Return Deck | 138 | 532 44 76-67 | Washout Port Hose |
| 33 | 580 79 61-01 | Mandrel Asm Tall | 139 | 532 44 07-42 | Hose 3/8 Clamp |
| 34 | 580 85 47-01 | Shaft Asm Mndrl | 140 | 501 58 00-01 | Guard Asm LH |
| 35 | 581 51 79-01 | Blade Mower LH | 141 | 501 57 96-02 | Guard Asm RH |
| 37 | 819 13 13-16 | Washer 13/32 x 13/16 x 16 Ga. | 152 | 532 44 76-66 | Cable Clutch Manual w/Spring |
| 40 | 532 19 72-58 | Keeper Belt Engine LH | 154 | 532 19 98-55 | Screw Thd Roll 1/4-20 x 1/2 |
| 42 | 817 00 05-12 | Screw 5/16-18 x 3/4 | 155 | 532 12 47-88 | Retainer Spring 1" |
| 43 | 532 44 32-39 | Pulley Mandrel | 159 | 585 30 95-05 | Reinforce Plate LHS Bolt |
| 45 | 581 65 08-01 | Mandrel Asm Short | 160 | 585 30 94-05 | Reinforce Plate LH Front |
| 47 | 584 30 93-01 | Screw | 161 | 585 31 60-05 | Reinforce Plate RH Front |
| 67 | 532 40 30-12 | Handle Clutch Cable | 162 | 585 31 61-05 | Reinforce Plate RH SD Blt |
| 70 | 532 19 99-72 | Clutch Asm Manual LT Pred | 164 | 589 35 85-02 | Baffle Plate Left |
| 72 | 581 45 41-03 | Chute Upper | 165 | 587 42 61-02 | Baffle Plate Right |
| 75 | 532 13 14-94 | Pulley Idler Flat | 247 | 589 00 96-02 | Steel Guard |
| 76 | 532 43 96-40 | Washout Port | 248 | 581 26 36-02 | LH Rear Steel Guard |
| 80 | 532 42 30-62 | Pal Nut | 249 | 581 26 35-02 | LH Rear Steel Guard |
| 84 | 532 44 32-35 | Keeper Belt LH Mandrel | 250 | 819 11 12-12 | Washer 11/32 x 3/4 x 12 Ga. |
| 85 | 581 51 80-01 | Blade Mower RH | 255 | 589 10 98-00 | Carriage Bolt 1/4-20 x 1 Gr. 5 |
| 86 | 532 18 17-13 | Bolt 3/8-24 x 1.50 Gr. 8 | 258 | 584 95 39-01 | Bolt Hex Wsh Hd .313-18 x 1.19 |
| 87 | 539 99 01-18 | Washer SLW ZD 3/8 | -- | 587 12 61-05 | Mandrel Asm. Tall (Includes Housing (key#33), Shaft Assembly (key#34) and Bearing Only (key#19) - Pulley/Nut/Washer And Blade Bolt/Washers Not Included) |
| 88 | 532 14 02-96 | Washer Hard | | | |
| 89 | 532 19 72-61 | Arm Brake 97 LH | | | |
| 90 | 532 19 90-92 | Spacer Retainer | | | |
| 91 | 819 13 20-12 | Washer 13/32 x 1-1/4 x 12 Ga. | -- | 581 65 05-01 | Mandrel Asm. Short (Includes Housing (key#45), Shaft Assembly (key#124) and Bearing Only (key#19) - Pulley/Nut/Washer And Blade Bolt/Washers Not Included) |
| 92 | 532 44 32-33 | Rod Brake Assembly | | | |
| 93 | 532 43 81-25 | Arm Brake RH | | | |
| 94 | 532 19 72-50 | Bracket Clutch Cable | | | |
| 95 | 817 00 06-12 | Screw 3/8-16 x 3/4 | | | |
| 96 | 532 40 02-71 | Spacer | -- | 532 44 81-32 | Gear Case Kit. Use .75 oz. Shell 460 Oil. (Include Gear Output (key #110), Gasket Gearcase (key #111), Shaft Gearcase (key #112), Plug Oil (key #113), Vent Breather 1/8 NPT (key #114), Screw Torx (key #115), Gearcase Subasm (key #119). |
| 97 | 532 18 20-61 | Shield Idler Mower | | | |
| 98 | 532 19 51-61 | Stud Fastener | | | |
| 99 | 532 19 51-86 | Arm Suspension Mower Rear | | | |
| 100 | 532 19 65-39 | Bolt Shoulder | | | |
| 101 | 873 68 09-00 | Nut Crownlock 9/16 - 18 unc | | | |
| 102 | 532 40 25-11 | Spacer Bearing Swing Plate | | | |
| 104 | 581 71 40-01 | Mandrel Cover RH | | | |
| 105 | 532 44 47-55 | Mandrel Cover LH | | | |
| 106 | 532 19 32-16 | Spring Brake Return | -- | 581 96 49-01 | Replacement Mower Complete |
| 110 | 587 93 48-01 | Gear Output | | | |
| 111 | 532 43 69-79 | Gasket Gearcase | | | |
| 112 | 532 44 38-52 | Shaft Gearcase Adapter | | | |
| 113 | 532 43 85-33 | Plug Oil | | | |
| 114 | 588 17 05-01 | Valve Relief | | | |
| 115 | 818 03 10-16 | Screw Torx #10-24 x 1 | | | |
| 116 | 872 11 04-14 | Bolt 1/4-20 x 1.75 Gr. 5 | | | |

NOTE: All component dimensions given in U.S. inches
1 inch = 25.4 mm

TRACTOR - MODEL NO. M200-107TC (96051015300), PROD. NO. 960 51 01-53
MOWER LIFT 45



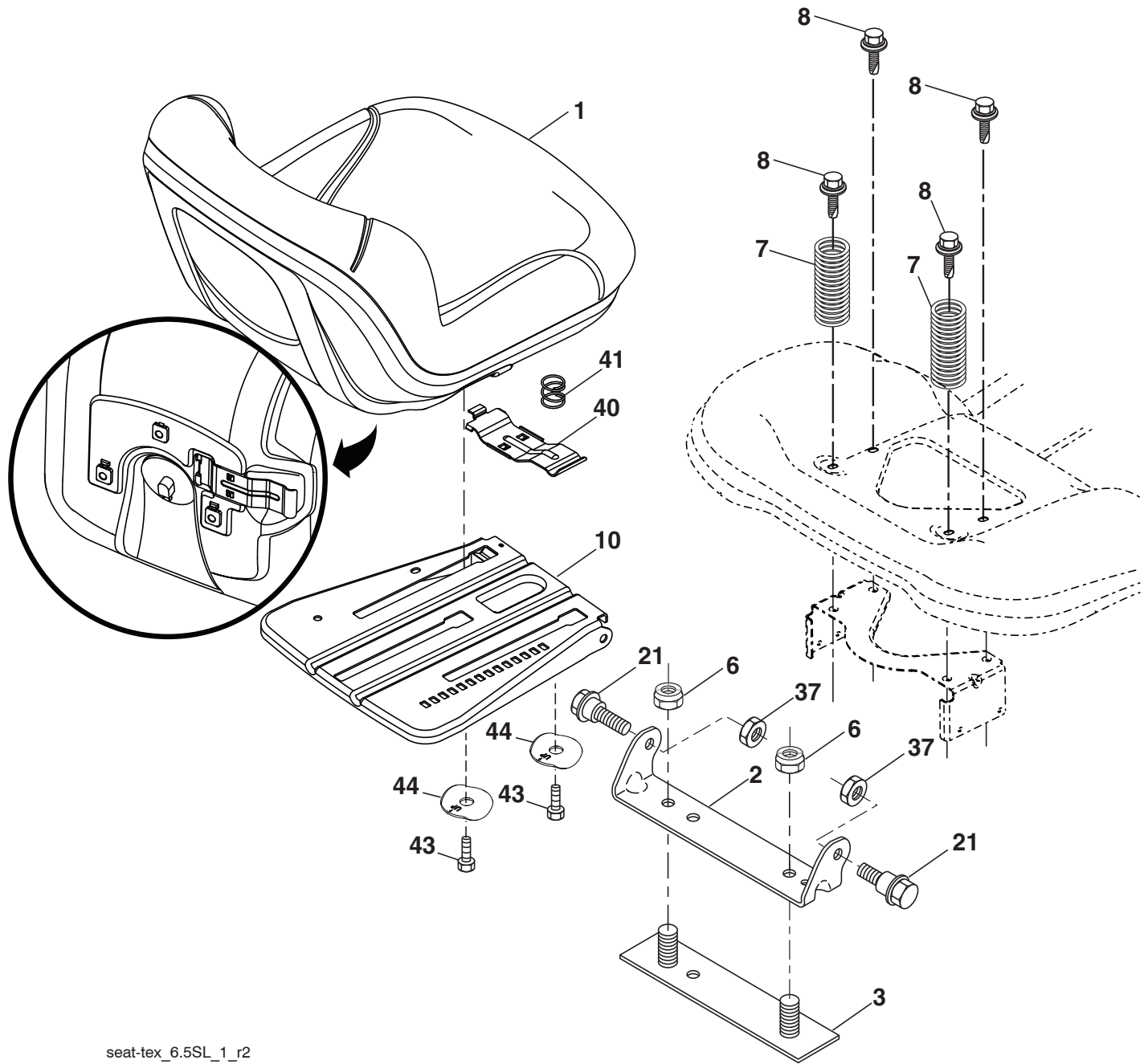
lift-tex_51

| KEY NO. | PART NO. | DESCRIPTION |
|---------|--------------|--------------------------------|
| 2 | 532 43 69-96 | Deck Lift |
| 3 | 532 19 52-31 | Lever Asm., Lift RH |
| 7 | 580 96 23-01 | Grip, Lever |
| 10 | 532 19 63-14 | Spring Torsion |
| 87 | 532 19 42-09 | Pin Cotter 7/16 Bow Tie Lock |
| 88 | 532 44 54-96 | Spring Lift Assist |
| 89 | 819 19 19-12 | Washer 17/32 x 1-3/16 x 12 Ga. |
| 90 | 532 19 42-08 | Pin Cotter 5/16 Bow Tie Lock |

| KEY NO. | PART NO. | DESCRIPTION |
|---------|--------------|-------------------------------|
| 91 | 532 19 51-81 | Link Lift Susp Mower Rear |
| 97 | 817 49 06-08 | Screw 3/8-16 x 1/2 |
| 98 | 532 42 05-25 | Link Lift Susp. Front Mower |
| 116 | 819 15 15-16 | Washer 15/32 x 15/16 x 16 Ga. |

NOTE: All component dimensions given in U.S. inches
 1 inch = 25.4 mm

TRACTOR - MODEL NO. M200-107TC (96051015300), PROD. NO. 960 51 01-53
SEAT ASSEMBLY 42



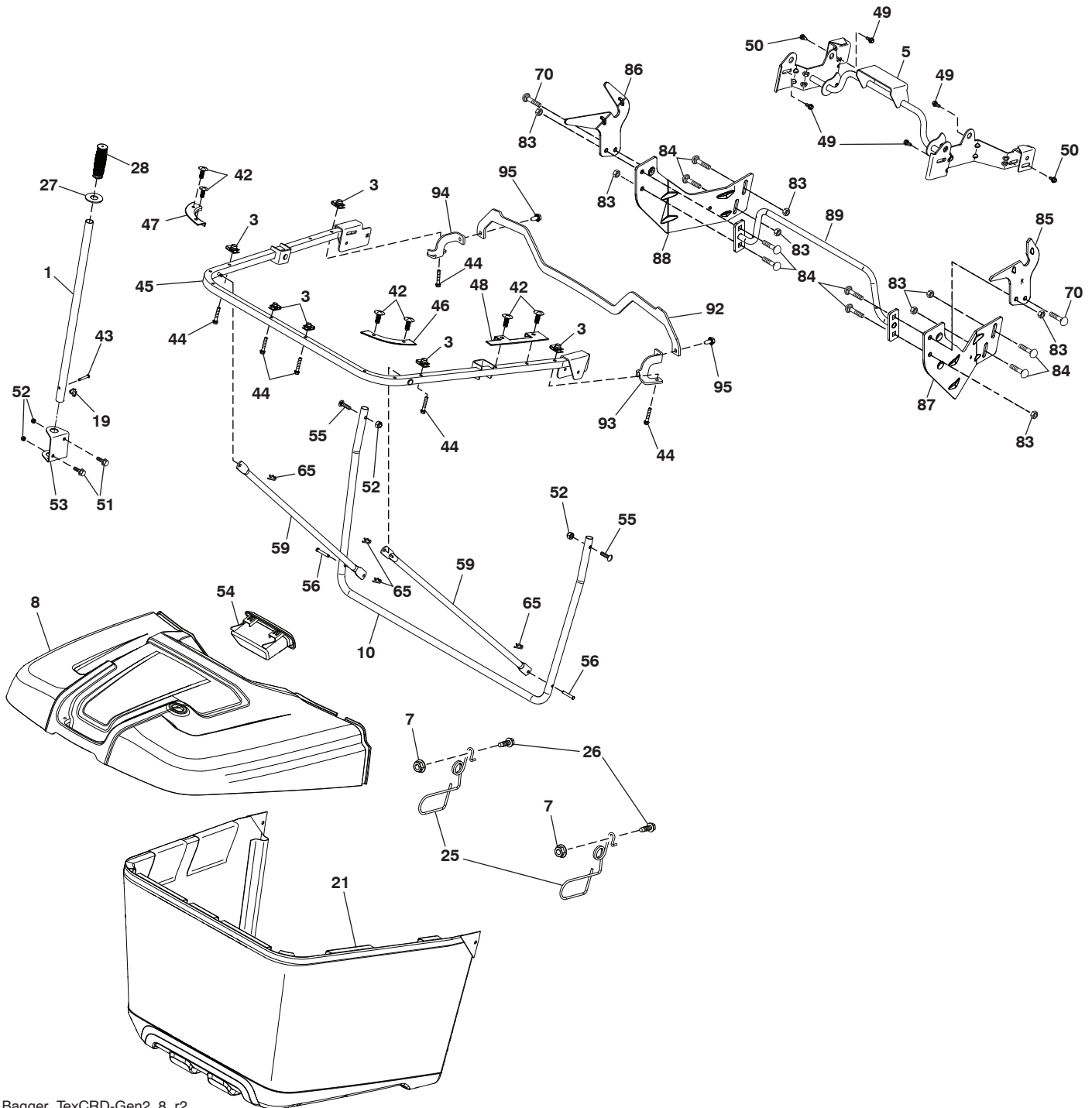
seat-tex_6.5SL_1_r2

| KEY NO. | PART NO. | DESCRIPTION |
|---------|--------------|-----------------------------|
| 1 | 581 46 22-01 | Seat |
| 2 | 532 18 01-66 | Bracket Pnt Pivot Fender |
| 3 | 532 14 06-75 | Strap Asm. Fender |
| 6 | 873 80 06-00 | Nut Lock Hex w/Ins 3/8-16 |
| 7 | 589 48 35-01 | Spring Seat Cprsn |
| 8 | 532 17 18-77 | Bolt 5/16-18 unc x 3/4 |
| 10 | 587 23 20-02 | Pan Pnt Seat |
| 21 | 587 90 78-01 | Bolt Shoulder 5/16-18 x 5/8 |

| KEY NO. | PART NO. | DESCRIPTION |
|---------|--------------|----------------------------|
| 37 | 873 80 05-00 | Nut Hex Lock w/Ins 5/16-18 |
| 40 | 532 19 76-61 | Handle Slide |
| 41 | 532 19 82-00 | Spring Latch |
| 43 | 874 76 06-12 | Bolt 3/8-16 unc x 3/4 |
| 44 | 501 05 18-01 | Washer, Winged |

NOTE: All component dimensions given in U.S. inches
 1 inch = 25.4 mm

TRACTOR - MODEL NO. M200-107TC (96051015300), PROD. NO. 960 51 01-53
BAGGER **46**



Bagger_TexCRD-Gen2_8_r2

**TRACTOR - MODEL NO. M200-107TC (96051015300), PROD. NO. 960 51 01-53
BAGGER 46**

| KEY NO. | PART NO. | DESCRIPTION |
|----------------|-----------------|------------------------------------|
| 1 | 532 42 86-10 | Tube Handle Bagger |
| 3 | 532 17 48-14 | Nut Push |
| 5 | 532 44 37-62 | Frame Asm Top Bagger |
| 7 | 873 90 04-00 | Nut Hex Flange 1/4-20 unc |
| 8 | 532 44 78-28 | Cover Bagger |
| 10 | 532 44 37-55 | Frame Front |
| 19 | 532 19 42-08 | Cotter Pin 5/16 Bow Tie |
| 21 | 581 33 71-04 | Bag Asm |
| 25 | 532 44 55-28 | Latch Bagger |
| 26 | 817 49 04-12 | Screw Hexwsh Thdrol 1 1/4-20 x 3/4 |
| 27 | 532 44 55-29 | Grommet Rubber |
| 28 | 532 16 57-87 | Grip Handle Black |
| 42 | 532 44 04-28 | Christmas Tree Clip |
| 43 | 532 12 68-75 | Clevis Pin |
| 44 | 532 19 96-87 | Bolt 1/4-20 1.50 |
| 45 | 532 44 37-54 | Upper U Frame Weldment |
| 46 | 532 44 55-41 | Bagger Corner Close-Out RH |
| 47 | 532 44 40-79 | Bagger Corner Close-Out LH |
| 48 | 532 44 40-80 | Top Bagger Side Close-Out |
| 49 | 532 17 18-73 | Bolt Shoulder 5/16~ 18 TT |
| 50 | 532 17 18-77 | Bolt 5/16-18 unc x 3/4 W/SEMS |
| 51 | 872 11 05-06 | Bolt RDHDSQNK 5/16-18 unc x 3/4 |
| 52 | 873 80 05-00 | Nut Lock HX W/INS 5/16-18 UNC |
| 53 | 532 44 41-95 | Bracket Dump Handle |
| 54 | 532 44 75-43 | Bagger TOP Front Handle |
| 55 | 872 14 05-12 | Bolt Rdhd Sq 5/16-18UNCX1 1/2 |
| 56 | 532 42 03-06 | Pin Clevis .1830DX1.26 long |
| 59 | 532 44 47-63 | Bagger Spread Tube |
| 65 | 532 12 47-88 | Retainer Spring 1" |
| 70 | 817 00 06-12 | Bolt 3/8-16X3/4 |
| 83 | 873 80 06-00 | Nut Lock Hex w/Ins 3/8-16 |
| 84 | 872 11 06-08 | Bolt RDHD SQNK 3/8-16 x 1 Gr. 5 |
| 85 | 581 31 44-02 | Bracket RH Pivot |
| 86 | 581 31 43-02 | Bracket LH Pivot |
| 87 | 581 31 48-02 | Bracket RH |
| 88 | 581 31 47-02 | Bracket LH |
| 89 | 581 31 51-04 | Weldment Offset |
| 92 | 586 05 23-02 | Bracket PNT Bagger Top |
| 93 | 586 05 24-02 | Bracket PNT RH Support |
| 94 | 586 05 25-02 | Bracket PNT LH Support |
| 95 | 817 00 05-12 | Screw 5/16-18 x 3/4 smgml |

NOTE: All component dimensions given in U.S. inches
1 inch = 25.4 mm

