

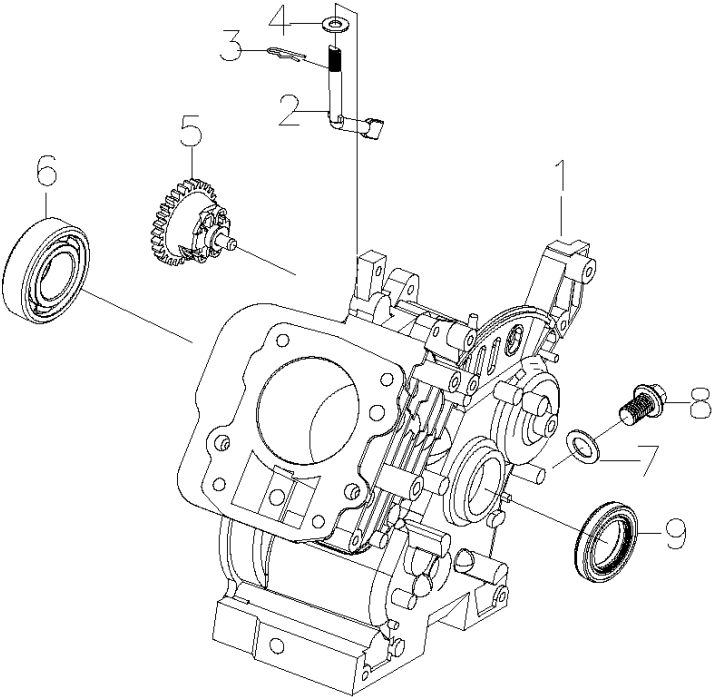


SPARE PARTS LIST

CULTIVATORS/TILLERS

MFT44 100, 967097201, 2017-01

CRANKCASE ASSY

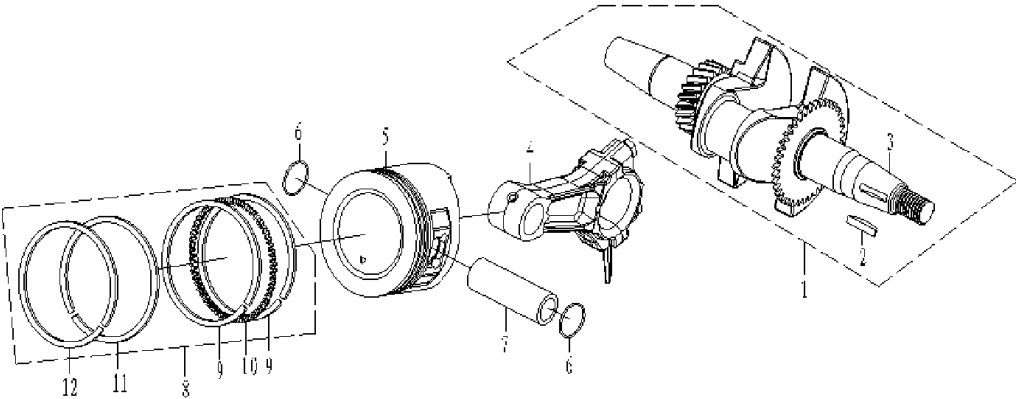


CRANKCASE

MFT44 100, 967097201, 2017-01

Ref	Part No	Description	Remark	QTY KIT
1	589 85 67-01	CRANKCASE	CRANKCASE COMP	1
2	589 85 69-01	ARM	GOVERNOR ARM SHAFT	1
3	588 00 11-01	KEEPER	LOCKER GOVERNOR ARM SHAFT	1
4	589 85 70-01	WASHER	PLAIN WASHER 13x6.2x1	1
5	589 85 77-01	GOVERNOR KIT	GOVERNOR KIT	1
6	589 85 80-01	BEARING	BEARING 6203/P6	1
7	589 91 14-01	WASHER	PLAIN WASHER 10x15x2	2
8	589 85 82-01	BOLT	BOLT DRAIN PLUG M10x10x1.25	2
9	589 86 95-01	SEAL	OIL SEAL 25x41.25x6	1

CRANK-CONNECTING ROD ASSY

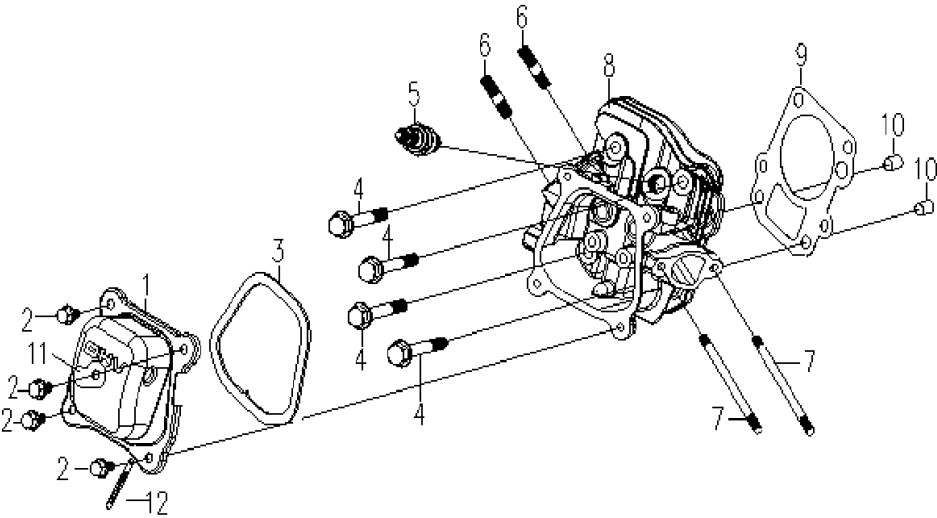


CRANKSHAFT

MFT44 100, 967097201, 2017-01

Ref	Part No	Description	Remark	QTY KIT
1	589 87 01-01	CRANKSHAFT ASSY	CRANK SHAFT ASSY	1
2	589 87 03-01	WOODRUFF KEY	SPECIAL WOODRUFF KEY	1
3	589 87 04-01	CRANKSHAFT	CRANK SHAFT	1
4	589 87 05-01	CONNECTING ROD ASSY	CONNECTING ROD ASSY	1
5	589 87 09-01	PISTON	PISTON	1
6	589 87 11-01	CLIP	CLIP PISTON PIN	2
7	589 87 12-01	PIN	PIN PISTON	1
8	589 87 15-01	PISTON RING	PISTON RING ASSY	1
9	589 93 26-01	LOOP	FILM LOOP	1
10	589 87 16-01	BUSH	BUSH RING	1
11	589 87 17-01	PISTON RING	GAS RING TWO	1
12	589 87 19-01	PISTON RING	GAS RING ONE	1

HEAD ASSY

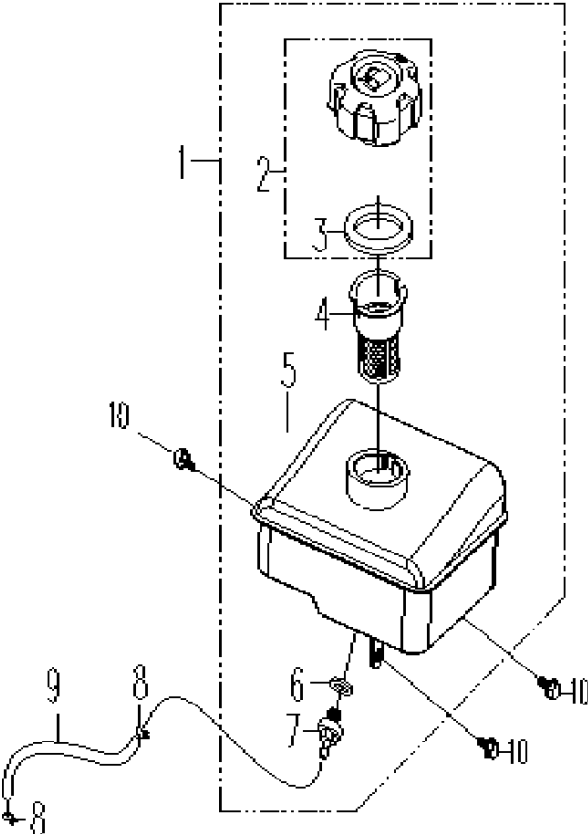


CYLINDER

MFT44 100, 967097201, 2017-01

Ref	Part No	Description	Remark	QTY KIT
1	589 85 53-01	COVER	HEAD COVER	1
2	589 92 56-01	BOLT	BOLT GB/T5789 M6x12	4
3	589 85 55-01	GASKET	GASKET HEAD COVER	1
4	589 85 57-01	BOLT	BOLT GB/T5789 M8x50	4
5	589 85 58-01	PLUG	PLUG SPARK E5TC	1
6	587 99 98-01	BOLT	BOLT STUD, M8x35	1
7	589 85 59-01	BOLT	BOLT STUD, M6x90	1
8	589 85 61-01	CYLINDER HEAD	CYLINDER HEAD ASSY	1
9	589 85 63-01	GASKET	GASKET CYLINDER HEAD	1
10	589 85 65-01	PIN	PIN DOWEL 8x16	2
11	590 17 72-01	CLAMP	WIRE CLAMP	1
12	590 17 73-01	CLAMP	WIRE CLAMP	1

FULE OIL ASSY

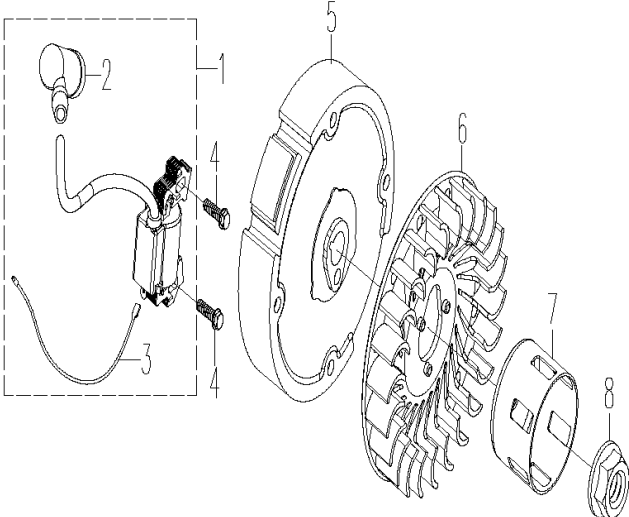


FUEL TANK

MFT44 100, 967097201, 2017-01

Ref	Part No	Description	Remark	QTY KIT
1	589 89 66-01	FUEL TANK ASSY	TANK FUEL COMP.	1
2	589 89 67-01	FUEL CAP	CAP COMP,FUEL FILLER	1
3	589 89 69-01	GASKET	PACKING,FUEL FILLER	1
4	589 89 71-01	FILTER	FILTER FUEL	1
5	589 89 72-01	FUEL TANK	FUEL TANK	1
6	589 93 19-01	GASKET	PACKING	1
7	589 93 20-01	JOINT	JOINT,FUEL TANK	1
8	588 17 81-01	CLIP	CLIP, TUBE	2
9	589 89 75-01	FUEL HOSE	TUBE ,FUEL	1
10	589 92 56-01	BOLT	BOLT GB/T5789 M6x12	3

FLYWHEEL AND IGNITION ASSY

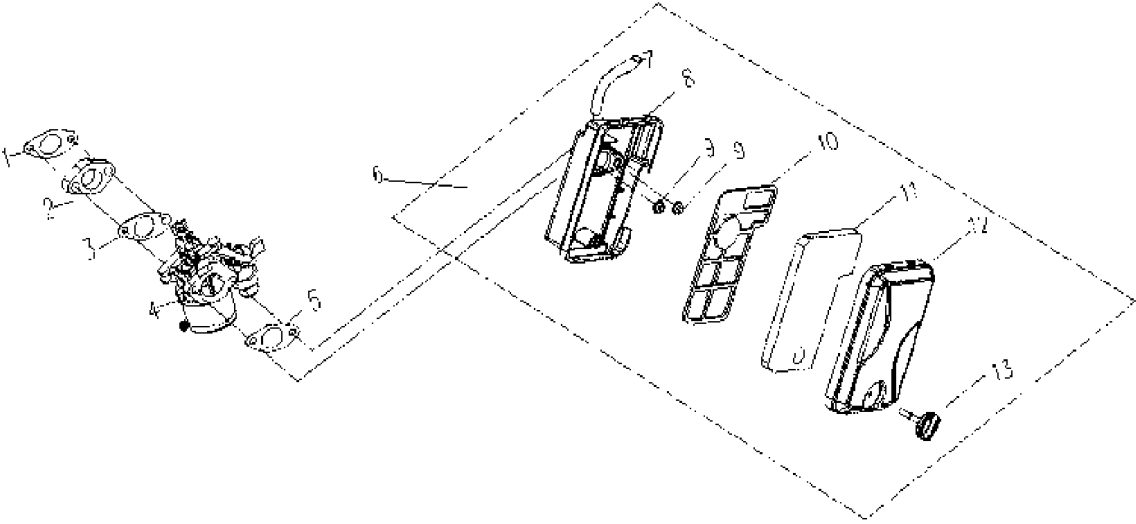


IGNITION SYSTEM

MFT44 100, 967097201, 2017-01

Ref	Part No	Description	Remark	QTY KIT
1	589 89 28-01	IGNITION KIT	IGNITION	1
2	589 89 29-01	CAP	CAP,IGNITION	1
3	589 89 30-01	CORD	CORD,STOP SWITCH	1
4	589 91 83-01	BOLT	BOLT M6x22	2
5	589 89 31-01	FLYWHEEL	FLYWHEEL	1
6	589 89 32-01	FAN	FAN COOLING	1
7	589 89 33-01	PULLEY	PULLEY STARTER	1
8	589 89 36-01	NUT	NUT M12x1.25	1

INLET ASSY

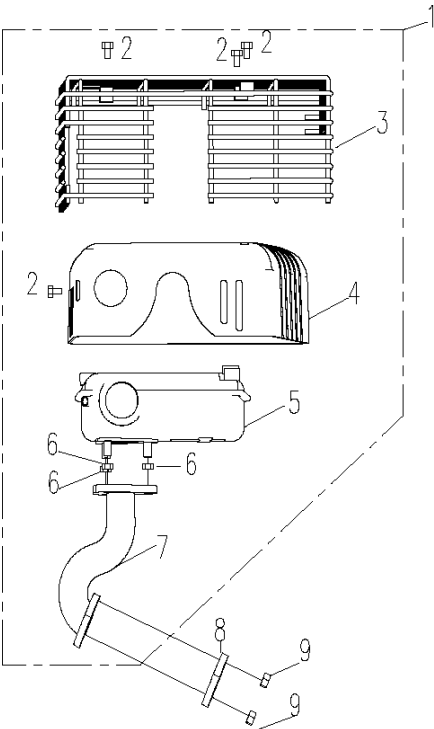


INTAKE SYSTEM

MFT44 100, 967097201, 2017-01

Ref	Part No	Description	Remark	QTY KIT
1	590 17 75-01	GASKET	Gasket	1
2	590 17 76-01	INSULATOR	INSULATOR	1
3	590 17 80-01	GASKET	PACKING CARBURETOR	1
4	590 17 78-01	CARBURETTOR	CARBURETOR	1
5	590 17 75-01	GASKET	GASKET AIR CLEANER	1
6	590 17 81-01	AIR CLEANER	AIR CLEANER ASSY	1
7	590 17 82-01	PIPE	WASTE GAS PIPE	1
8	590 17 83-01	COVER	Cover	1
9	588 00 77-01	BOLT	NUT M6	2
10	590 17 87-01	INSERT	Insert	1
11	590 17 89-01	FILTER	Filter	1
12	590 17 91-01	COVER	Cover, Air leaner	1
13	590 17 92-01	BOLT	Bolt Cover, Air leaner	1

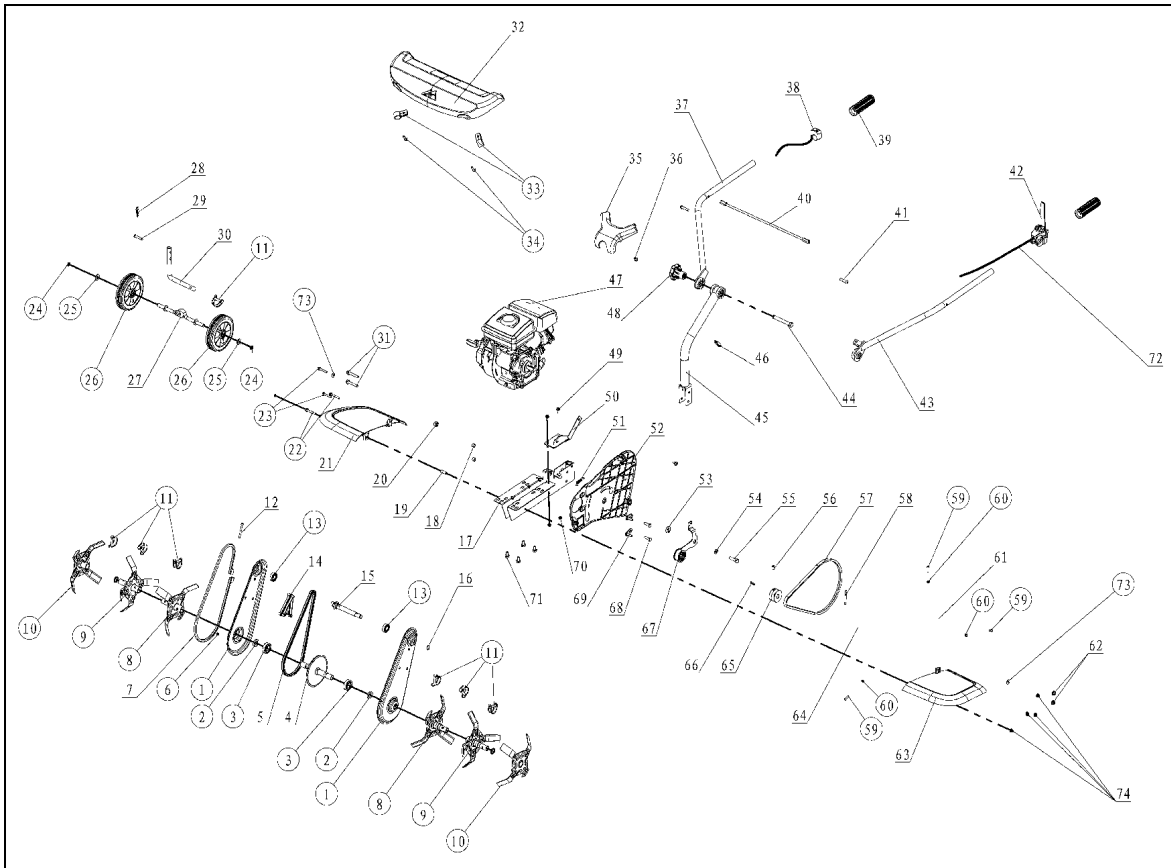
EXHAUST ASSY



MUFFLER

MFT44 100, 967097201, 2017-01

Ref	Part No	Description	Remark	QTY KIT
1	589 89 37-01	MUFFLER	MUFFLER COMP	1
2	589 92 56-01	BOLT	BOLT GB/T5787 M6x12	4
3	589 89 38-01	PROTECTION	ANTI SCALD NET	1
4	589 89 57-01	COVER	COVER	1
5	589 89 61-01	BODY	MUFFLER BODY	1
6	588 00 77-01	BOLT	NUT M6	3
7	589 89 62-01	TUBE	GAS VENT	1
8	589 89 63-01	WASHER	AIR EXHAUST WASHER	1
9	589 93 09-01	NUT	NUT M8	2



PRODUCT COMPLETE

MFT44 100, 967097201, 2017-01

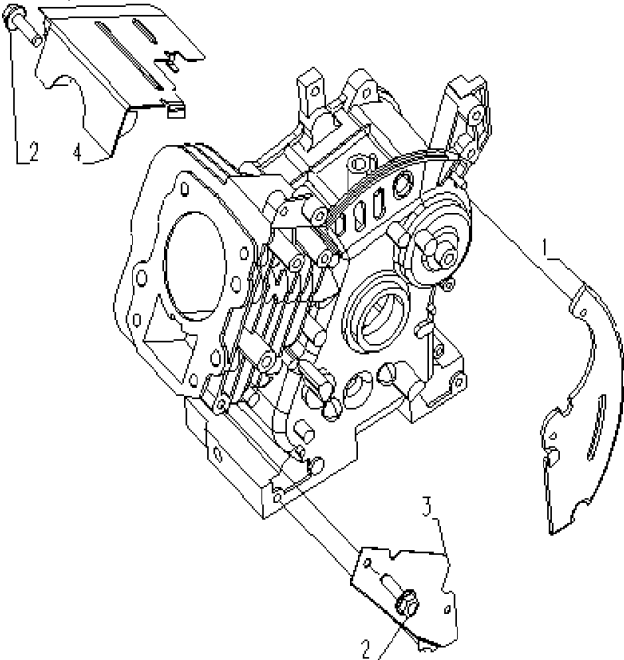
Ref	Part No	Description	Remark	QTY KIT
1	590 03 69-01	CASE	gearbox case	2
2	590 03 70-01	COLLAR	felt collar 30x20x5	2
3	590 03 72-01	BALL BEARING	deep groove ball bearing 6004-2RS	2
4	590 03 73-01	SHAFT	driven sprocket's shaft assy	1
5	590 03 75-01	CHAIN	chain06B-1-84	1
6	589 93 44-01	HEXAGON LOCKING NUT	hexgon locking nut M6(non-metallic)	1
7	590 03 76-01	RING	RING	1
8	590 03 77-01	TINE	main tine	2
9	590 17 93-01	TINE	sub-tine-2	2
10	590 03 78-01	TINE	sub-tine-1	2
11	589 93 47-01	TORSION SPRING	torsional spring pin 8	7
12	590 03 79-01	SCREW	Hexagon socket head cap screws M6x55	1
13	590 03 81-01	BALL BEARING	deep groove ball bearing 6003-2RS	2
14	590 03 82-01	SHOE	supporting shoe for chain	1
15	590 03 83-01	SHAFT	driving sprocket's shaft assy	1
16	590 03 84-01	SNAP RING	snap ring No.15	1
17	590 03 86-01	SUPPORT	engine support	1
18	589 95 02-01	SPACER	spacer bush 9x13x9	2
19	590 03 87-01	SLEEVE	support sleeve	1
20	590 03 91-01	HEXAGON LOCKING NUT	hexgon locking nut M10(non-metallic)	1
21	590 03 93-01	COVER	COVER	1
22	590 03 97-01	BOLT	Hexagon flange bolt M6x45	2
23	590 04 01-01	BOLT	Hexagon flange bolt M6x50	2
24	590 04 03-01	SNAP RING	snap ring No.12	2
25	590 04 04-01	WASHER	flat washer No.12	2
26	590 04 08-01	WHEEL	walking wheel	2
27	590 04 09-01	BAR	strut bar for walking wheel	1
28	590 02 02-01	RING	jump ring B	1
29	590 04 10-01	PIN	pin 8x40	1
30	590 04 12-01	ROD	resistance rod	1
31	590 04 13-01	BOLT	Hexagon flange bolt M8x50	2
32	589 94 75-01	COVER	upper cover	1
33	589 94 71-01	PLUG	PLUG	2
34	589 94 32-01	BOLT	Hexagon flange bolts M6x25	2
35	589 94 29-01	COVER	Tidy cover	1
36	589 94 84-01	BOLT	Hexagon flange bolts M6x12	2
37	589 94 68-01	CONNECTION ROD	connecting pipe (R) for handle set	1
38	590 04 17-01	SWITCH	shut down switch	1
39	589 94 77-01	GRIP	grip 22	2
40	589 94 79-01	BAR	handrail for handle set	1
41	589 94 72-01	SCREW	Hexagon socket button head screws M8x30	2
42	589 94 81-01	HANDLE	clutch handle	1
43	589 94 80-01	CONNECTING ROD	connecting pipe (L) for handle set	1
44	589 94 82-01	BOLT	hexagon bolt M12x90	1
45	590 04 18-01	PIPE	stand pipe	1
46	589 94 85-01	HOLDER	wire holder	1
47	590 04 20-01	ENGINE	WM156F/P-M gasoline engine	1
48	589 94 34-01	KNOB	Locking knob for handle set	1
49	590 04 24-01	BOLT	Hexagon flange bolt M6x16	2
50	590 05 36-01	PLATE	supporting plate	1
51	590 17 94-01	SPRING	spring for tensioner	1
52	590 05 37-01	PLATE	belt cover baseplate	1

PRODUCT COMPLETE

MFT44 100, 967097201, 2017-01

Ref	Part No	Description	Remark	QTY KIT
53	590 05 38-01	SLEEVE	supporting sleeve for baseplate	1
54	590 05 39-01	WASHER	flat washer No.10	1
55	590 05 41-01	BOLT	hexagon bolt M10x35	2
56	589 96 57-01	SCREW	hexagon socket set screw with cone point M8x16	1
57	590 05 42-01	BELT	belt 13x945LW	1
58	589 95 06-01	PIN	round pin 6x60	1
59	590 05 43-01	SCREW	Hexagon socket button head screws M6x20	3
60	590 05 44-01	WASHER	flat washer No.6	3
61	590 05 45-01	PLATE	belt cover	1
62	589 94 02-01	HEXAGON LOCKING NUT	hexgon locking nut M8(non-metallic)	2
63	590 05 46-01	COVER	COVER	1
64	590 05 47-01	PULLEY	driven pulley	1
65	590 05 48-01	PULLEY	driving pulley	1
66	590 05 52-01	KEY	flat key 5x5x25	1
67	590 05 54-01	TENSION ROLLER	TENSION ROLLER	1
68	590 05 55-01	BOLT	hexagon bolt M8*16	2
69	590 05 56-01	BAR	belt strut bar	2
70	589 94 96-01	HEXAGON NUT FLANGE	Hexagon flange nuts M6	2
71	590 05 57-01	BOLT	Hexagon flange bolt M8x50	4
72	590 05 58-01	CABLE	main clutch cable	1
73	590 05 59-01	WASHER	flat washer No.6	2
74	590 05 60-01	HEXAGON LOCKING NUT	hexgon locking nut M6 (non-metallic)	4

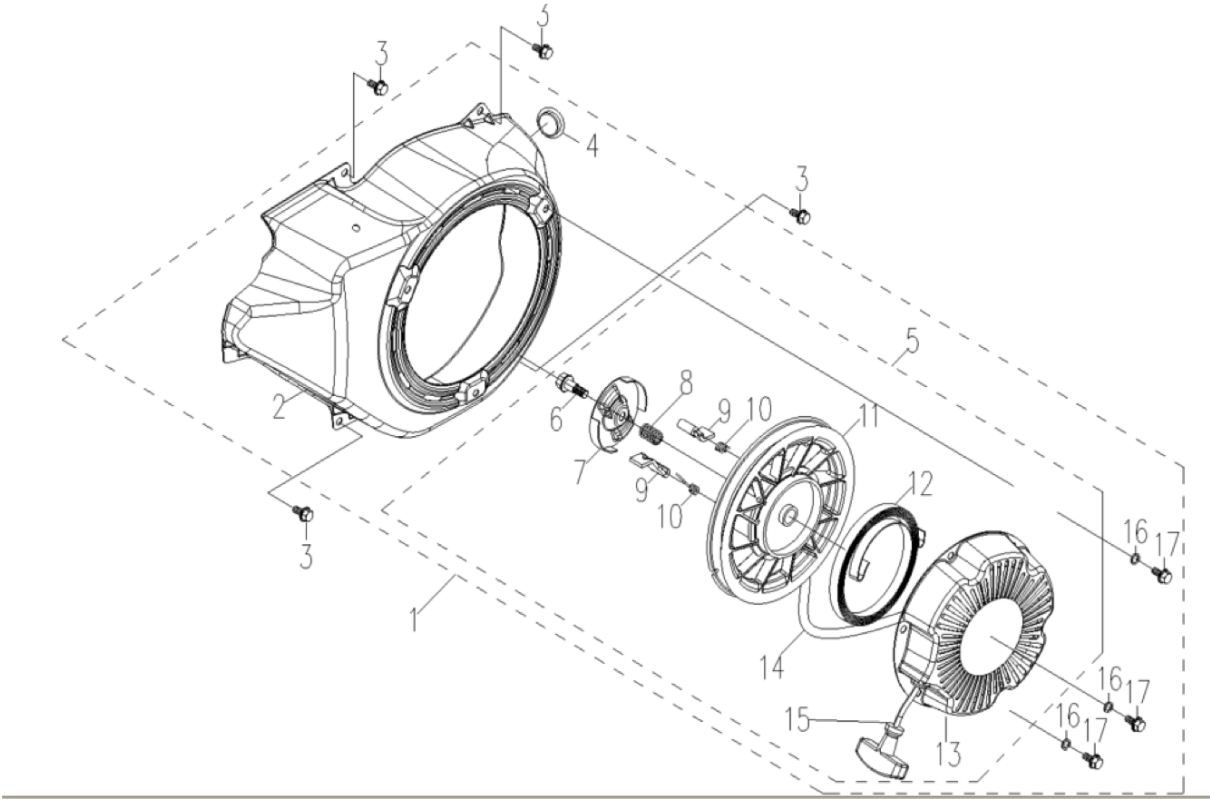
WIND DEFLECTOR



SHIELD

MFT44 100, 967097201, 2017-01

Ref	Part No	Description	Remark	QTY KIT
1	589 89 77-01	SHROUD	SHROUD COMP	1
2	589 92 56-01	BOLT	BOLT GB/T5789 M6x12	2
3	589 90 89-01	SHROUD	SHROUD COMP	1
4	589 90 90-01	SHIELD	WINDSHIELD	1

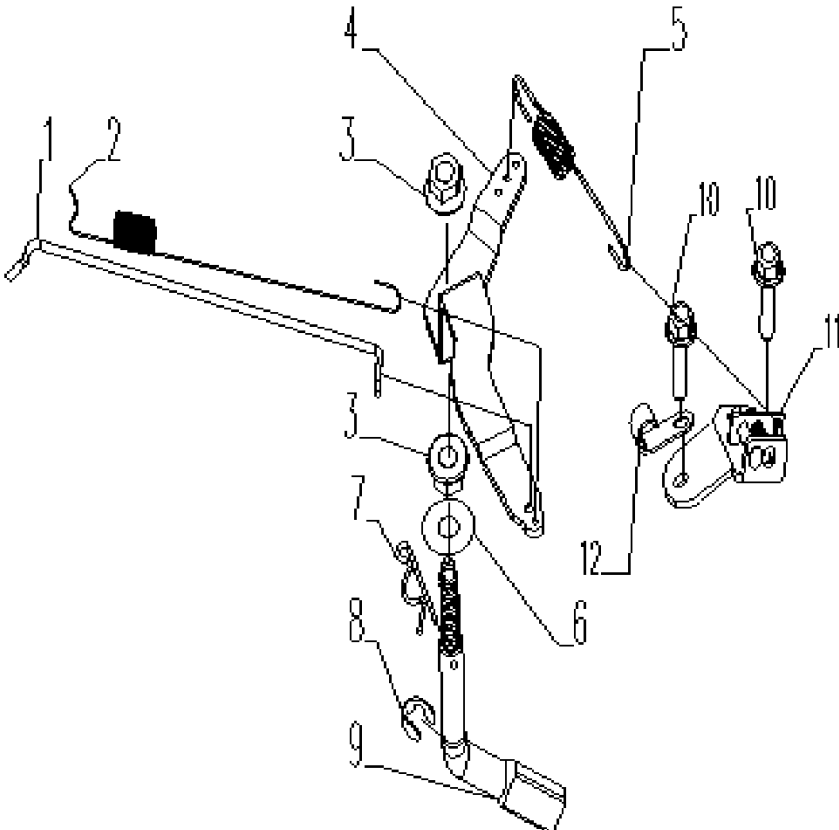


STARTER

MFT44 100, 967097201, 2017-01

Ref	Part No	Description	Remark	QTY KIT
1	589 87 38-01	STARTER ASSY	RECOIL STARTER ASSY	1
2	589 87 39-01	STARTER HOUSING	WIND SCOOPER	1
3	589 92 56-01	BOLT	BOLT M6x12	4
4	589 91 27-01	PLUG	PLUG,RECOIL STARTER	1
5	589 87 40-01	STARTER	STARTER COMP RECOIL	1
6	589 87 41-01	BOLT	CENTER POSITION BOLT	1
7	589 87 42-01	RATCHET	RATCHET GUIDE	1
8	589 87 43-01	SPRING	CENTER POSITION SPRING	1
9	589 87 44-01	RATCHET	RATCHET STARTER	2
10	589 87 45-01	SPRING	SPRING RETURN	2
11	589 87 46-01	REEL	REEL RECOIL STARTER	1
12	589 87 48-01	SPRING	SPRING STARTER RETURN	1
13	589 87 47-01	COVER ASSY	STARTER COVER COMP RECOIL	1
14	589 87 49-01	ROPE	ROPE RECOIL STARTER	1
15	589 87 95-01	HANDLE	HANDLE STARTER	1
16	589 91 42-01	STARTER ASSY	RECOIL STARTER ASSY 6	3
17	589 91 43-01	BOLT	BOLT M6x10	3

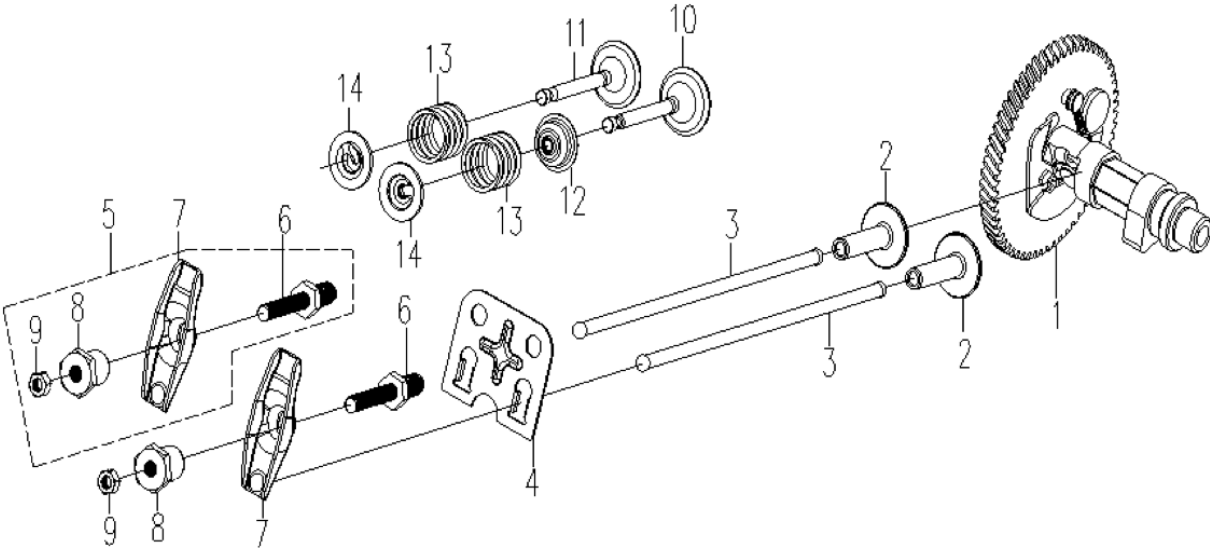
THROTTLE CONTROL ASSY



THROTTLE CONTROLS

MFT44 100, 967097201, 2017-01

Ref	Part No	Description	Remark	QTY KIT
1	589 88 41-01	TIE ROD	TIE ROD	1
2	589 88 43-01	SPRING	FINE ADJUSTMENT SPRING	1
3	589 88 44-01	NUT	NUT GB/T6177/M6	2
4	589 88 46-01	ARM	ARM GOVERNOR	1
5	589 88 47-01	SPRING	GOVERNING SPRING	1
6	589 88 48-01	WASHER	PLAIN WASHER 8x17x1	1
7	588 00 11-01	KEEPER	LOCKER,GOVERNOR ARM SHAFT	1
8	589 88 49-01	RING	OPENING RING	1
9	589 85 69-01	ARM	GOVERNOR ARM SHAFT	1
10	589 92 56-01	BOLT	BOLT GB/T16674/M6x12	2
11	589 88 50-01	THROTTLE CONTROL	THROTTLE CONTROL ASSY	1
12	589 89 27-01	CLAMP	OIL PIPE CLAMP	1



VALVES

MFT44 100, 967097201, 2017-01

Ref	Part No	Description	Remark	QTY KIT
1	589 87 20-01	CAMSHAFT	CAMSHAFT ASSY	1
2	589 93 28-01	VALVE	LIFTER VALVE	2
3	589 87 22-01	ROD	ROD PUSH	2
4	589 87 23-01	PLATE	PLATE PUSH ROD GUIDE	1
5	589 87 24-01	ARM	ARM ASSY VALVE ROCKER	2
6	589 87 25-01	BOLT	BOLT PIVOT	2
7	589 87 26-01	ARM	ARM VALVE ROCKER	2
8	589 87 28-01	NUT	ADJUSTING NUT VALVE	2
9	589 87 29-01	NUT	NUTT PIVOT LOCKING	2
10	589 87 30-01	INLET	VALVE INLET	1
11	589 87 31-01	EXHAUST VALVE	VALVE EXHAUST	1
12	589 87 34-01	SEAL	VALVE SEAL	1
13	589 87 35-01	SPRING	SPRING VALVE	2
14	589 87 37-01	SPRING HOLDER	INTAKE VALVE SPRING SEAT	2