

EN Operator's manual 9-14

BG Ръководство за експлоатация 15-20

HR Priručnik 21-26

CZ Návod k použití 27-32

DA Brugsanvisning 33-38

NL Gebruiksaanwijzing 39-44

ET Käsitsemisõpetus 45-50

FI Käyttöohje 51-56

FR Manuel d'utilisation 57-62

DE Bedienungsanleitung 63-68

GR Οδηγίες χρήσεως 69-74

HU Használati utasítás 75-80

IT Istruzioni per l'uso 81-86

LV Lietošanas pamācība 87-92

LT Naudojimosi instrukcijos 93-98

NO Bruksanvisning 99-104

PL Instrukcja obsługi 106-110

PT Instruções para o uso 111-116

RO Instrucțiuni de utilizare 117-122

RU Руководство по эксплуатации 123-128

SK Návod na obsluhu 129-134

SL Navodila za uporabo 135-140

ES Manual de instrucciones 141-146

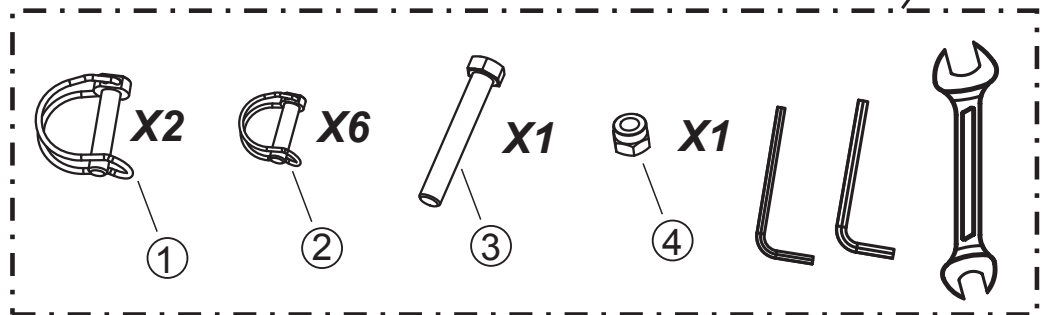
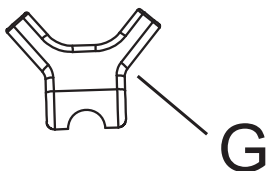
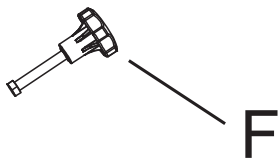
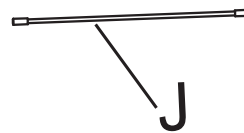
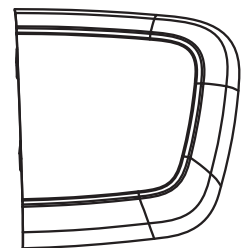
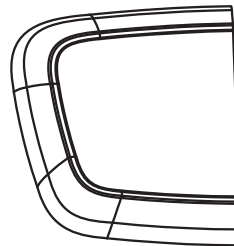
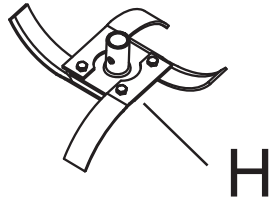
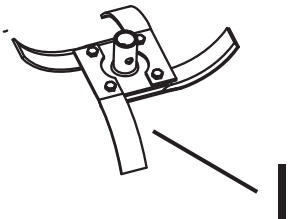
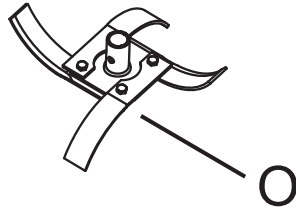
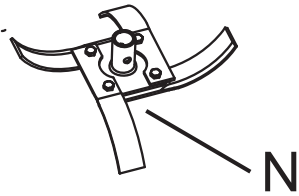
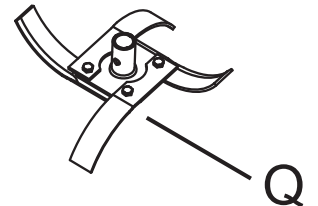
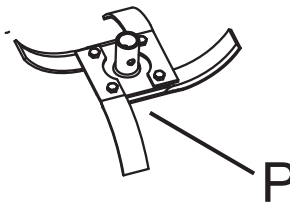
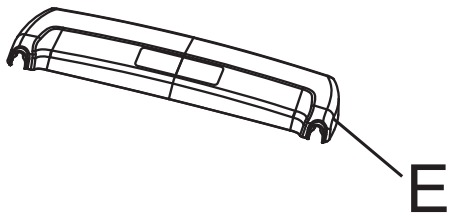
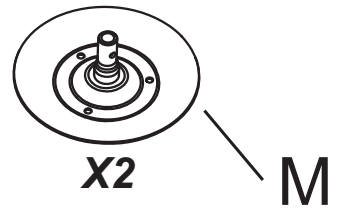
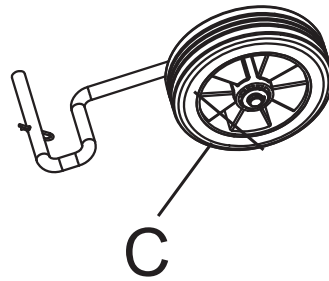
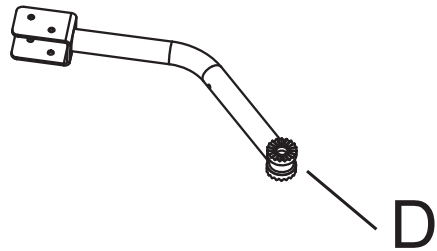
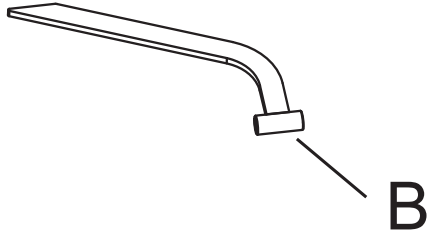
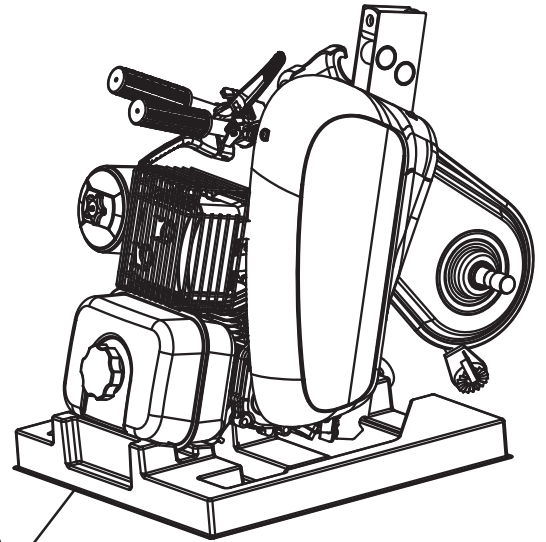
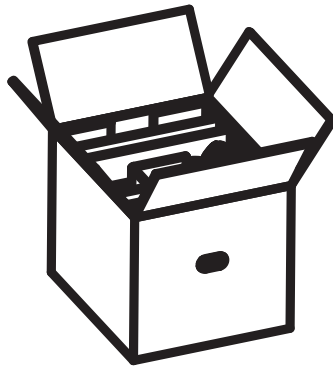
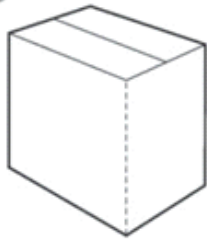
SE Bruksanvisning 147-152

TR Kullanım kılavuzu 153-158

UK Посібник користувача 159-164

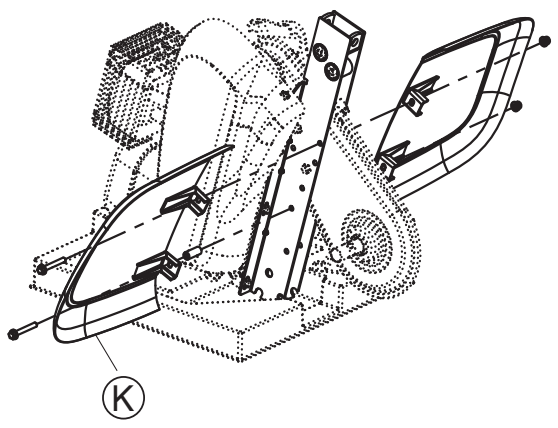
MFT85 210R



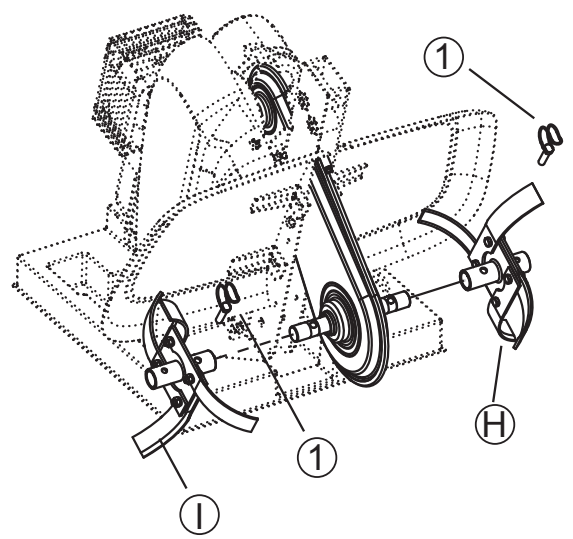




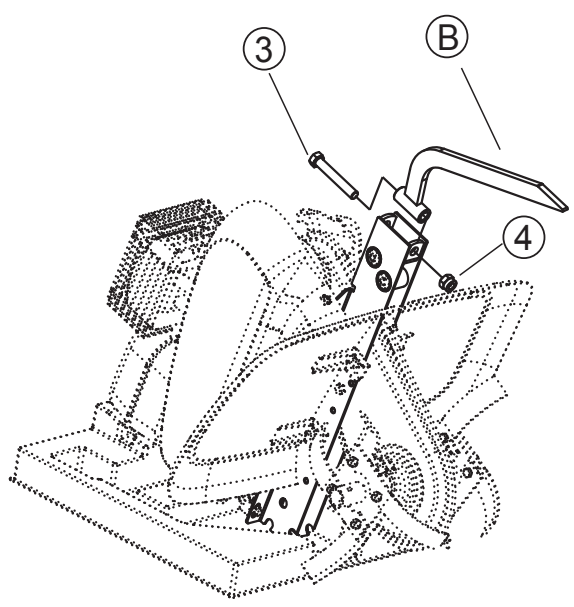
1



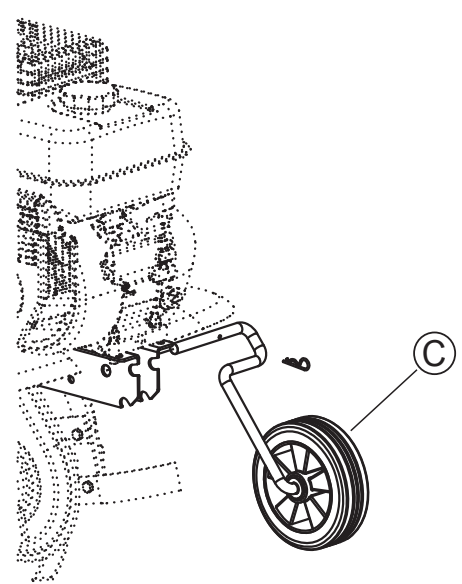
2



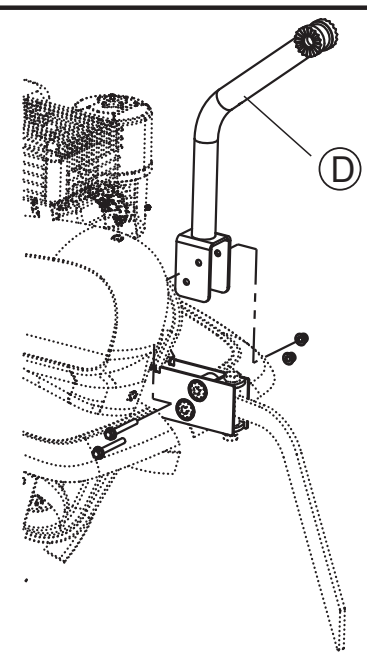
3



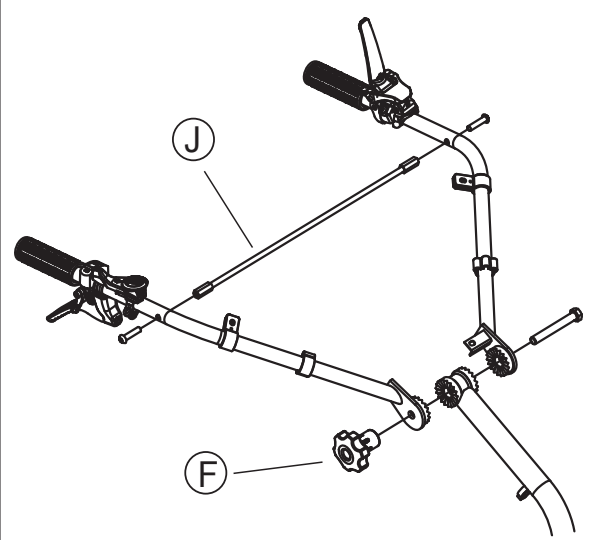
4



5



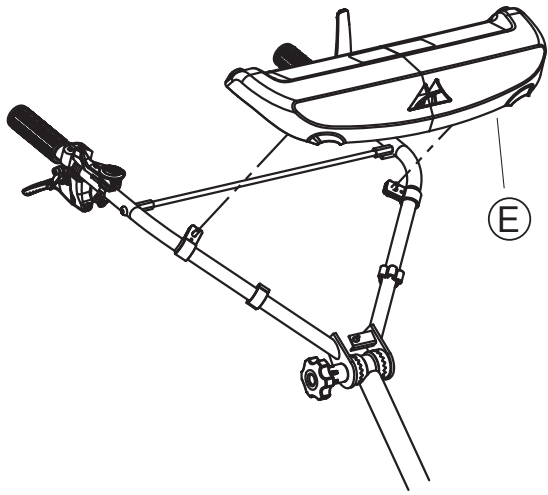
6



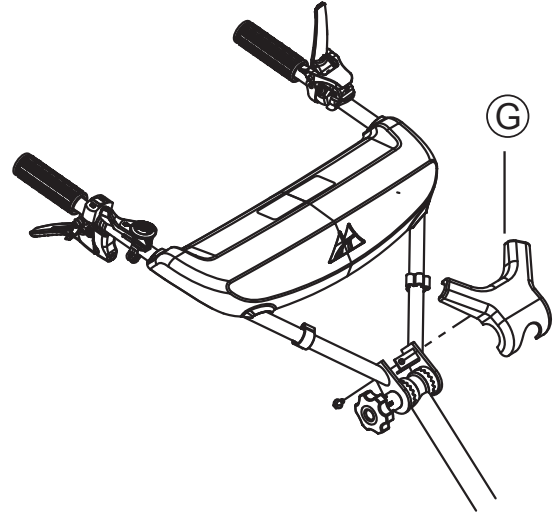


1-2

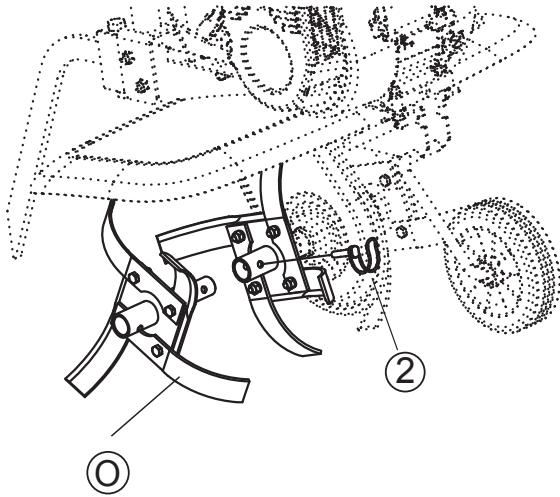
7



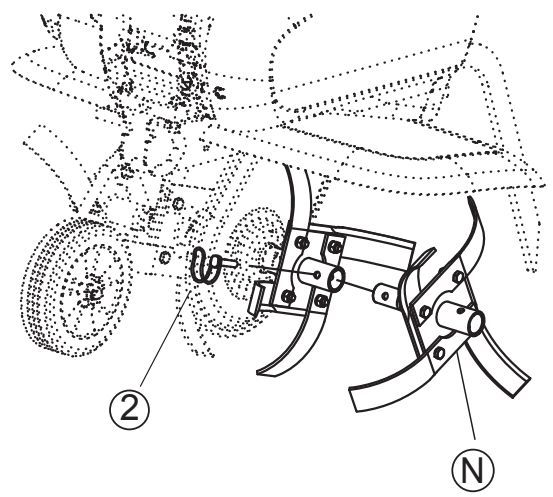
8



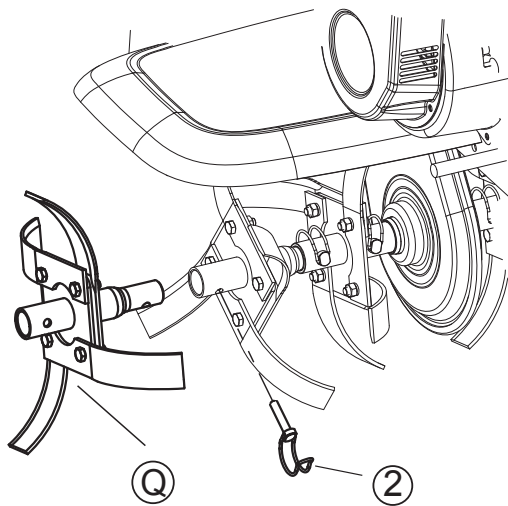
9



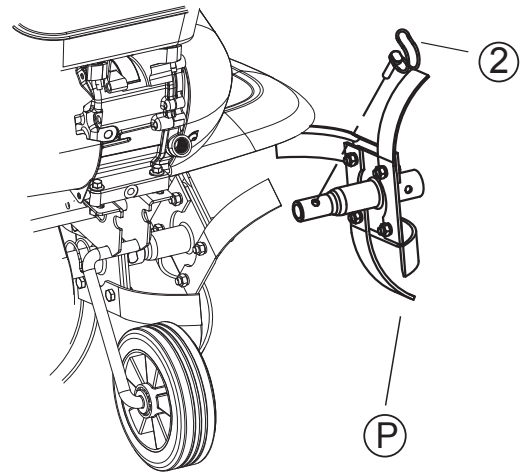
10



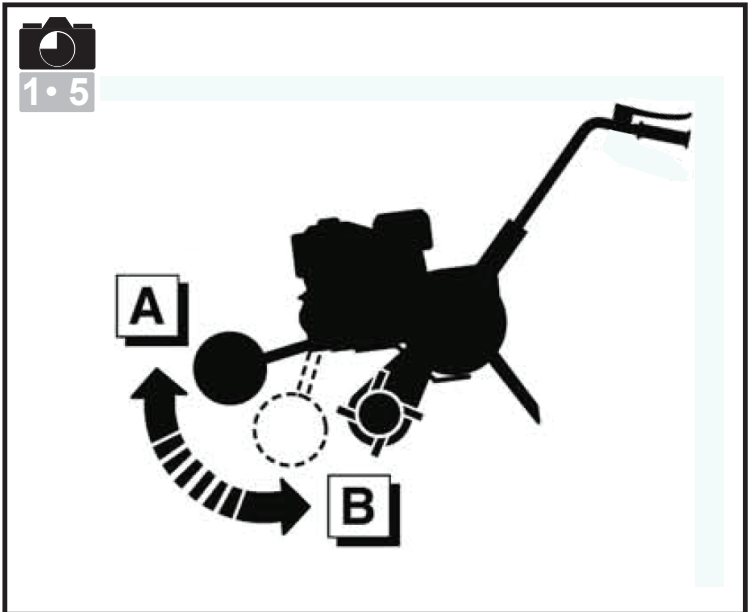
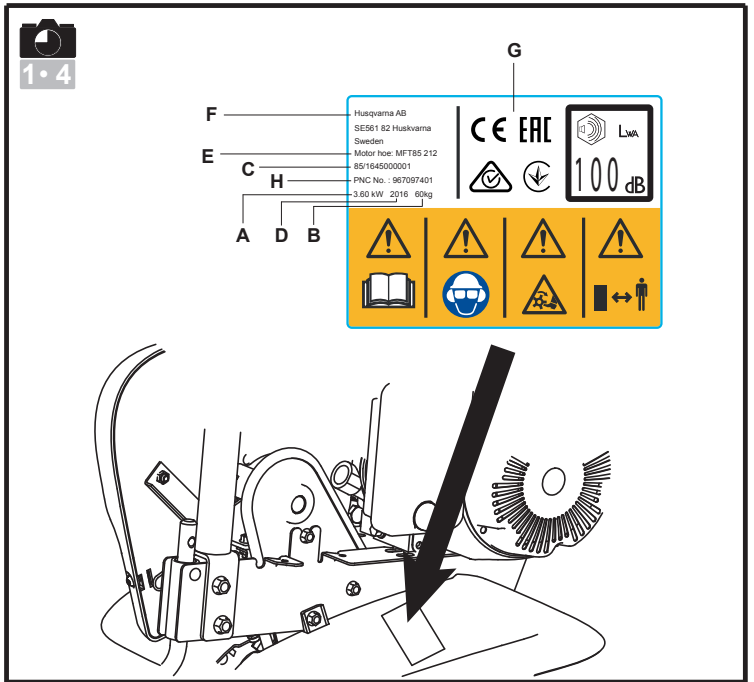
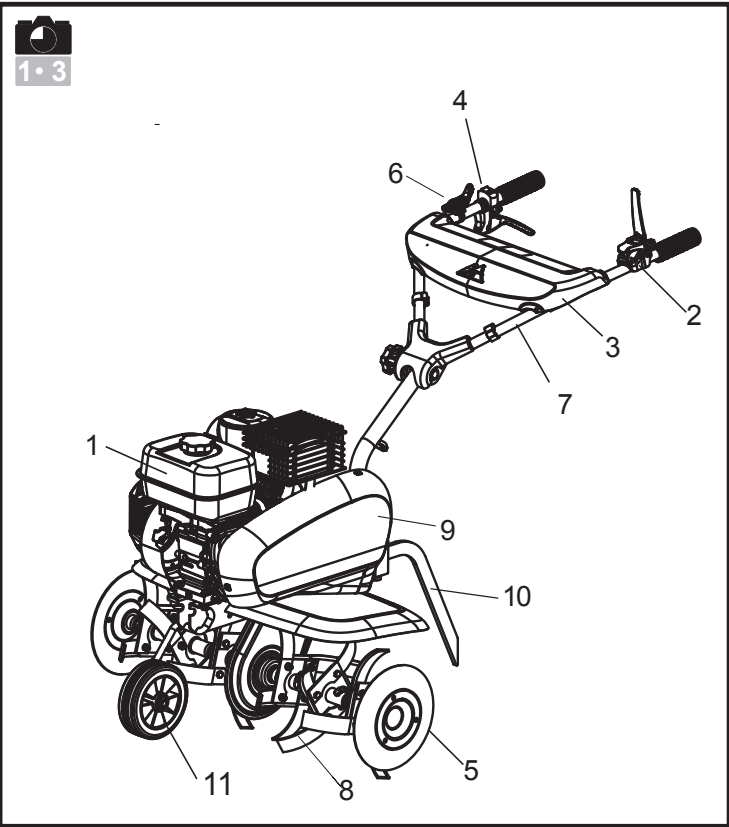
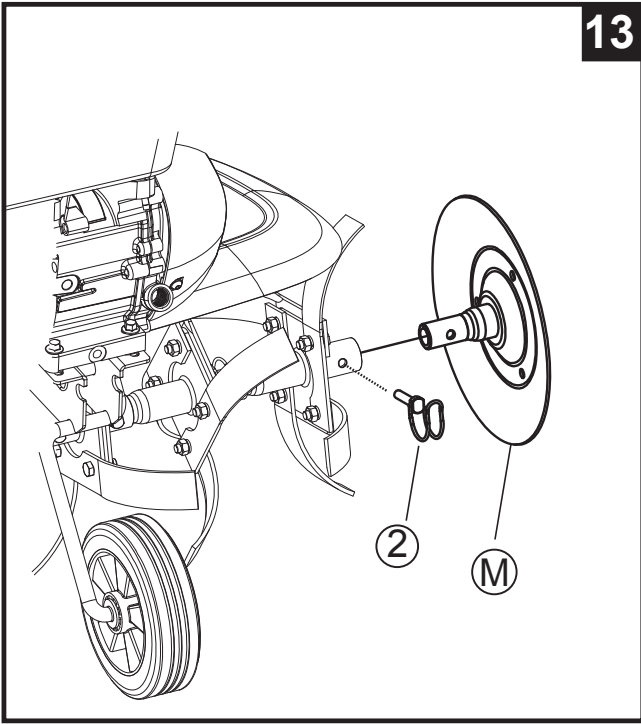
11

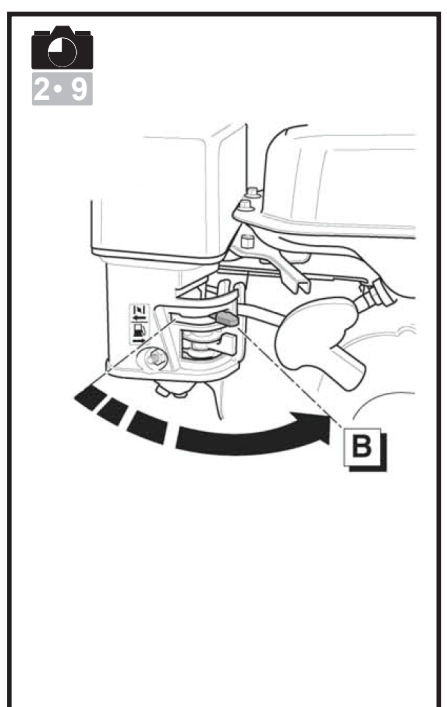
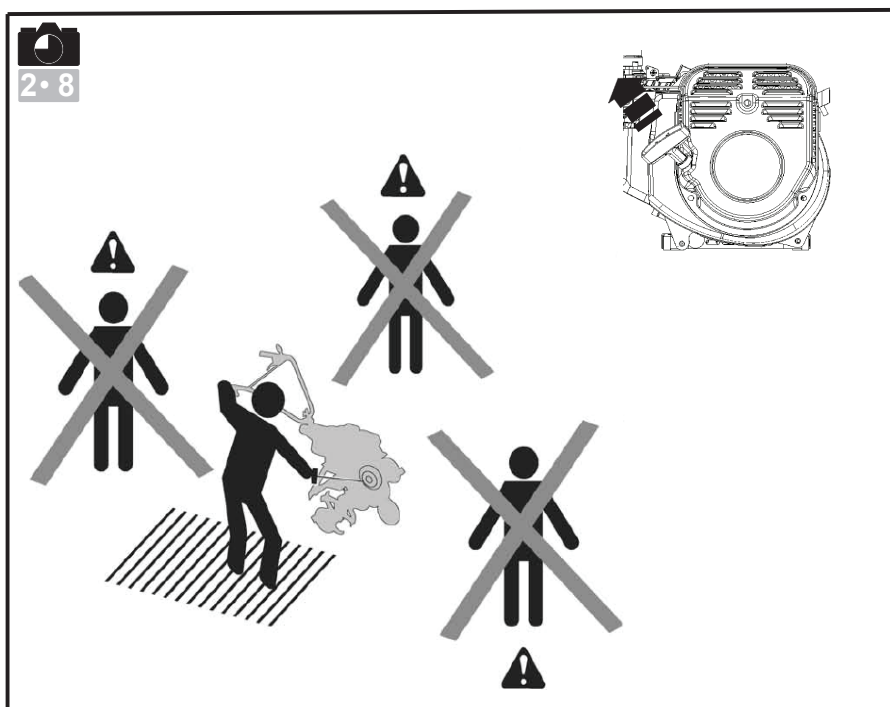
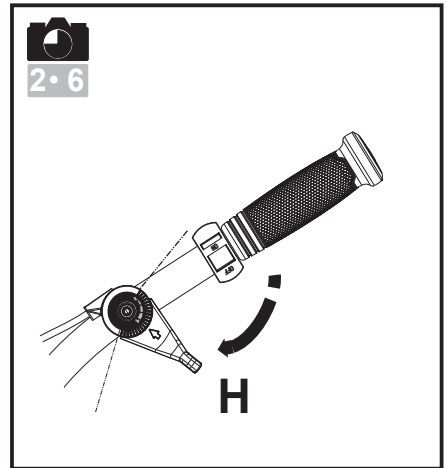
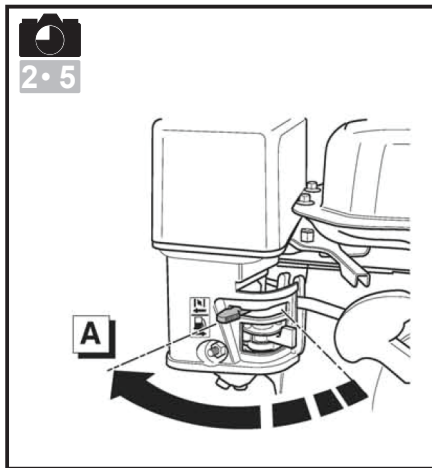
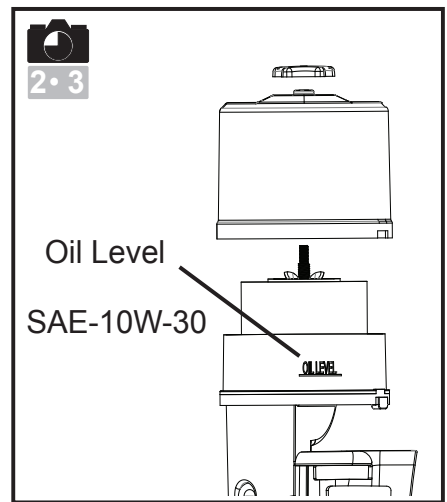
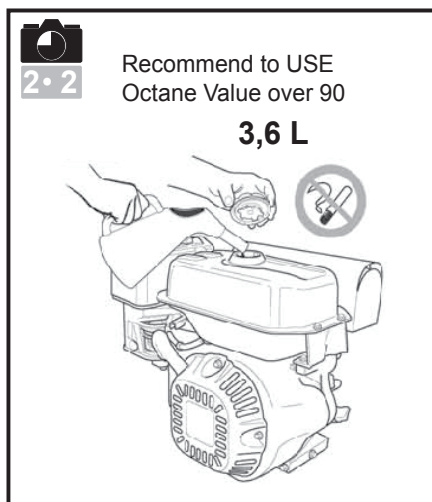
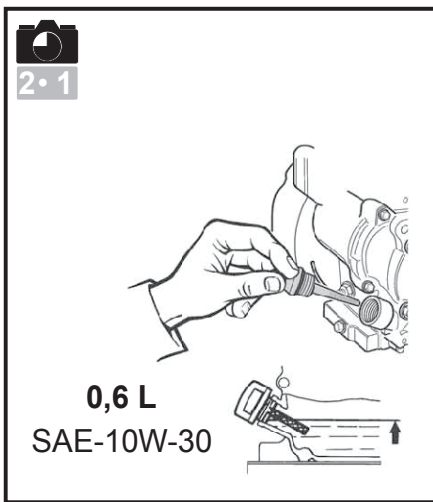


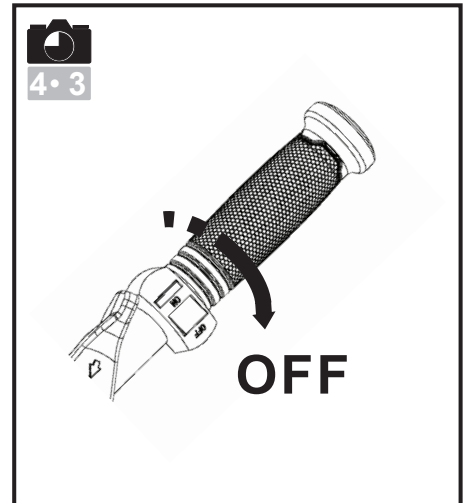
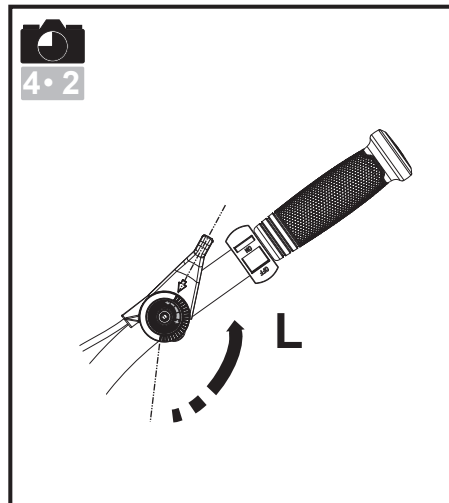
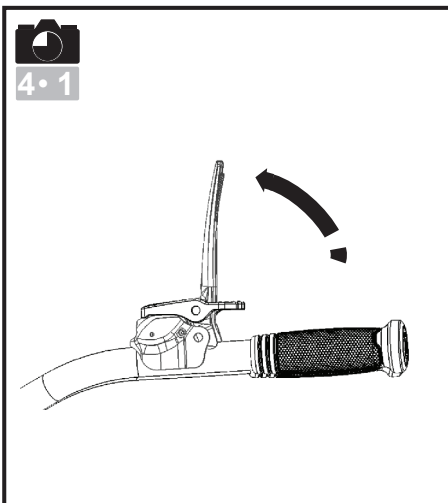
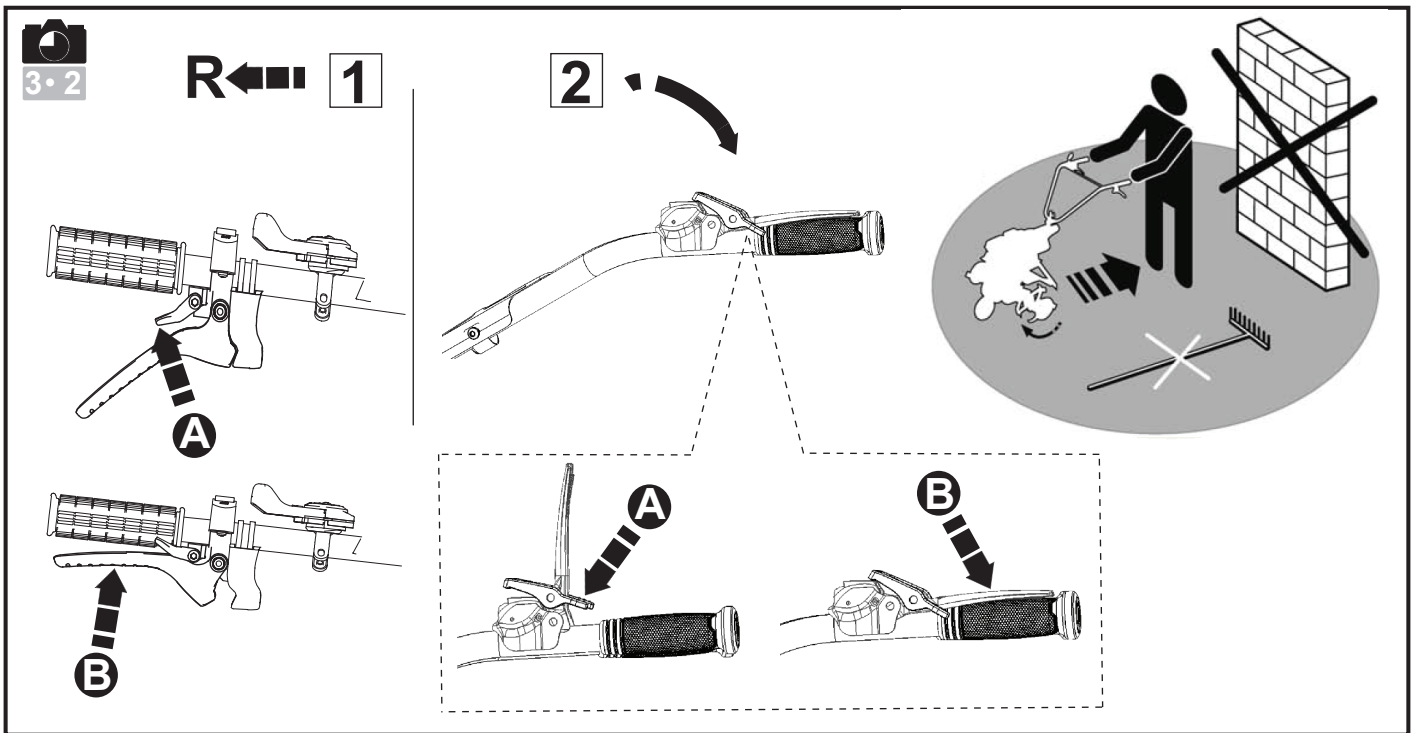
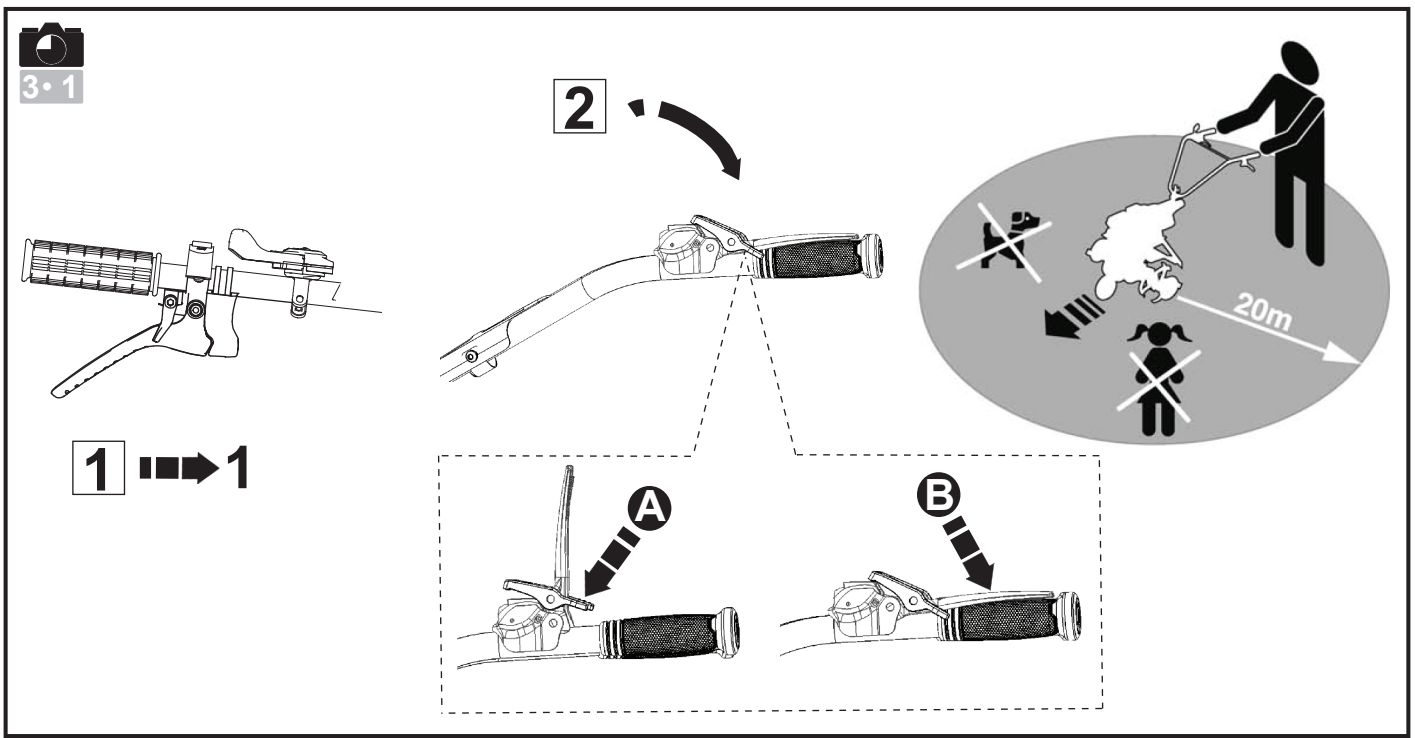
12

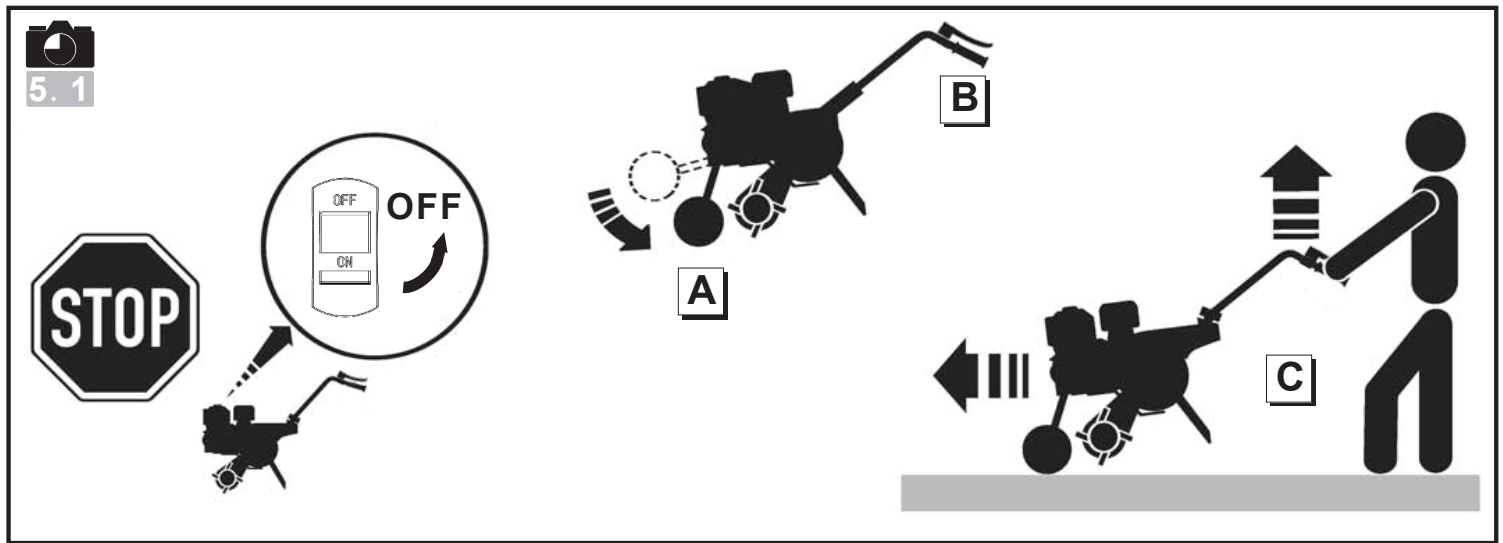


13









SAFETY PRECAUTIONS

Pay particular care to the sections marked as follows:



DANGER : This indicates a strong likelihood of serious or even fatal injury if the instruction are not follow.

WARNING : This indicates a risk of injury or damage to the equipment if the instructions are not followed.

NOTE : This indicates useful information.



This symbol reminds you to take care with certain operations.

If you have any problems or questions about the cultivator, please contact your approved supplier.



DANGER : The machine is designed for safe and reliable service if used as instructed. Before using your machine, please make sure you have understood the contents of this manual. Otherwise you could be injured and your equipment could be damaged.

Training / Information

Familiarise yourself with the correct use and the controls before using the machine. Know how to stop the motor rapidly.

The machine must always be used according to the recommendations given in the instruction manual.

Remember that the user is responsible for any accidents or dangerous reactions occurring to other people or their belongings. It is his responsibility to assess the potential risks of the ground to be cleared and to take all precautions necessary to ensure it is safe, in particular on slopes and on loose, slippery or uneven ground.

Never allow children or people unfamiliar with these instructions to use the machine. here may be local laws which set a minimum age for users.

Never work when there are people, especially children, or animals within a radius of 20 meters of the machine; the operator must necessarily remain at the controls of the handles.

Do not use the machine if you have been taking medicine or other substances that might slow your reactions or make you drowsy.

Pay particular attention on hard ground, because the machine has the tendency to be much less stable than on cultivated ground.

Always wear sturdy, non-slip footwear and tight long trousers when working. Do not use the machine in bare feet or sandals. Ear protectors are recommended.

Use the machine for the purpose it is designed for - digging the ground. Any other use may be dangerous or cause damage to the machine.

Preparation

Carefully inspect the area where the machine is to be used and remove any objects that might be projected by the machine (stones, wire, glass, metal objects...).

Before use, always check over the machine to ensure that the tools are not worn or damaged. Replace any worn or damaged parts.

Maintain the electrical cables that stop the motor in good condition so that you can be sure to turn the motor off.

Check that no petrol or oil are leaking.

Do not use the machine without its protective casings and ensure that all the fittings are tight.

Use

Never transport people on the machine.

Take care when starting the motor, following the manufacturer's instructions and keeping your feet away from the blade(s).

Stop the motor when the machine is not in use.

When holding the machine, walk don't run.

Take great care when pulling the machine towards you or reversing the direction of rotation (if liked).

Keep a safe distance from the rotating blades, set by the length of the steering column.

Do not place your hands or feet near or beneath rotating parts.

If there is :

- abnormal vibration,
- a blockage,
- a problem engaging or disengaging the clutch,
- a collision with a foreign object,
- deterioration of the engine halt cable.

Stop the engine immediately (if the Engine halt cable is severed, use the starter control as described in paragraph "start the engine" to stop the Engine), let the machine cool down, unplug the spark-plug lead, inspect the machine and have the necessary repairs carried out by an approved repairer before using again.

Work only by daylight or in good artificial light.

Do not use the machine on slopes greater than 20°.

Work across slopes, not up or down them.

Make sure to keep your footing on sloping ground, change direction very carefully.

Using accessories other than those recommended may make the machine dangerous and cause damage to your machine which will not be covered by your guarantee.

Maintenance / storage

Stop the motor and disconnect the spark plug before cleaning, inspecting, adjusting or maintaining the machine or changing the tool(s).

Stop the motor, disconnect the spark plug and use thick gloves when changing the tool(s).

Keep all nuts and bolts tight to ensure safe conditions of use.

To reduce fire risk, keep the motor, the silencer and the fuel storage area free of plants, waste oil, or any other inflammable material.

If the exhaust silencer is defective, have it replaced by an approved repairer.

Do not mend parts; replace them by the maker's own spares.

Replace the cutting blades in complete sets to keep them balanced.

For your own safety, do not alter the characteristics of your machine. Do not change the motor speed settings and do not run the motor at excess speeds. Regular maintenance is essential for safety and to maintain the level of performance.

Allow the motor to cool down before putting the machine away.

Danger ! Petrol is highly inflammable!

Store fuel in containers specially designed for it. Always fill the tank outdoors and do not smoke while doing it.

Do not unscrew the fuel cap or top up with petrol while the motor is running or still hot.

If petrol is spilled on the ground, do not try to start the motor; Carry the machine elsewhere and avoid all naked flames until the petrol vapour has dispersed.

Store the machine in a dry place. Never store the machine in a building where the petrol vapour can reach a flame, spark or source of intense heat.

Replace the caps of the fuel tank and the petrol can correctly.

Limit the amount of petrol in the tank to reduce spillage.

Do not run the motor in a confined space where carbon monoxide vapour might accumulate.

Carbon monoxide can be fatal. Ensure good ventilation.

Moving, handling transporting

Any action on the machine apart from ground digging must be performed with engine stopped.

Except when (ground digging) the machine must be moved by using the transport wheel as described in "Moving" chapter.

Handling: do not try and lift the machine. The machine's weight is indicated on the manufacturer's plate, at the end of this manual. Use a method of handling adapted to the weight of the machine and to the situation to guarantee the safety.

When loading or unloading the machine to or from a trailer, use a suitable ramp. Lash the machine down correctly for safe transport.

The machine should be transported in a trailer; do not use any other method of transport.

EN

BG

HR

CZ

DA

NL

ET

FI

FR

DE

GR

HU

IT

LV

LT

NO

PL

PT

RO

RU

SK

SL

ES

SE

TR

UK

DEFINITION OF THE PICTOGRAMS

- 

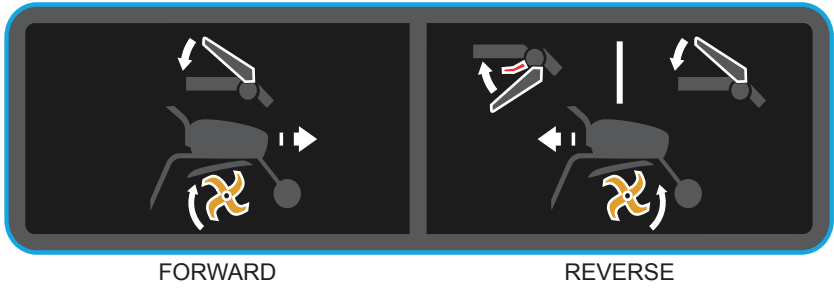
WARNING
Danger
- 

WARNING
Keep safe distance
- 

WARNING
Rotating tools
- 

WARNING
Consult the Operator Manual and remove the sparkplug before performing any work.
- 

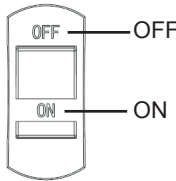
WARNING
Read the Operator Manual



FORWARD

REVERSE

Stop switch



Guaranteed sound power level



Ear protection must be used.

TECHNICAL INFORMATION

Model	MFT85 210R	Nominal power hp (kW) @ rpm	4.8 (3.6) @ 3100
Tilling width (mm)	780	Gears	-1,0,1
Tilling depth (mm)	100-200	Transmission oil	Grease
Engine type	McCulloch 210 (WM170F-2/P)	Gross weight (kg)	65.0
Fuel	Gasoline	Net weight (kg)	60.0
Fuel tank capacity (L)	3.60	Packaging size(mm)	780x500x660
Oil capacity (L)	0.35	Certification	CE, EAC
Displacement	212 cc	Guaranteed acoustic pressure level	2 dB(A)
Sound pressure level	78 dB(A)	Uncertainty of vibration	2%
Sound power level	98 dB(A)	Handle vibration value	Left handle: 7.2mm/s ² Right handle: 7.4mm/s ²
Uncertainty of noise	2 dB(A)		

UNPACKING / ASSEMBLY

Note: In his constant desire to improve his products, the manufacturer states that the whole of this manual is not contractual and reserves the right to modify the specifications of his machines without notice.

1.1 Unpacking

WARNING: Take care not to cut the cables or scratch the machine's paintwork when cutting the edges of the case.

Ref.	Contents of the case
A	Engine part
B	Resistance rod
C	Front Wheel
D	Stand pipe
E	Handrail cover
F	Knob
G	Tidy cover
H	Main tine, Right
I	Main tine, Left
J	Rail
K	Tine cover
L	Tool Pouch
M	Plant guard
N	Sub tine-1, Left
O	Sub tine-1, Right
P	Sub tine-2, Left
Q	Sub tine-2, Right

1.2 Assembling

WARNING: Inappropriate assembly of this rotary tiller could cause severe injuries. Ensure that you follow all the instructions carefully.

- 1** Fitting the tine cover.
- 2** Fitting the first tine group.
Make sure the sharp edges face one side.
- 3** Fitting the resistance rod.
- 4** Fitting the front wheel.
- 5** Fitting the stand pipe.
- 6** Fitting the rail.
- 7** Fitting the handrail cover.
- 8** Fitting the tidy cover.
- 9** Fitting the second tine group -right.
- 10** Fitting the second tine group -left.
- 11 12** Fitting the third tine group -left&right.
- 13 14** Fitting the plant guard.

Warning: After assembling the machine completely, tighten all the bolts and screws with moderation: do not overtighten.

Note: Any dismantling operation must only be performed by an approved workshop.

1.3 Description of the components

- 1 -Engine
- 2 -Clutch handle
- 3 -Handrail cover
- 4 -ON/OFF switch
- 5 -Plant guard
- 6 -Throttle control
- 7 -Handle set
- 8 -Lever shifting
- 9 -Tine
- 10 -Resistance rod
- 11 -Front wheel

1.4 Machine identification plate

1.5 Transport wheel

A = Working position.
B = Transport position.

STARTING THE MACHINE

2.1 Filling with engine oil and checking the level

2.2 Topping up the petrol

2.3 Injecting oil to identified position

2.4 Open the petrol switch

2.5 Set the choke in position A

2.6 Throttle control

Put the lever to: **H**

2.7 Set the on/off switch to "on"

2.8 Pull the recoil start handle

2.9 Set the choke in position B

Warning: When the machine starts, remain within the safety zone.

EN

BG

HR

CZ

DA

NL

ET

FI

FR

DE

GR

HU

IT

LV

LT

NO

PL

PT

RO

RU

SK

SL

ES

SE

TR

UK

USE

- EN
- BG
- HR
- CZ
- DA
- NL
- ET
- FI
- FR
- DE
- GR
- HU
- IT
- LV
- LT
- NO
- PL
- PT
- RO
- RU
- SK
- SL
- ES
- SE
- TR
- UK

Forward



1. Leave the reverse clutch as it is.
- 2-A. Unlock the clutch handle.
- 2-B. Depress the clutch handle



Maintain a safety zone of 20 m in radius around the machine.

Reverse



- 1-A. Toggle red reverse switch
- 1-B. Squeeze the reverse handle
- 2-A. Unlock the clutch handle.
- 2-B. Depress the clutch handle



Maintain a safety zone of 20 m in radius around the machine.



The use of reverse is dangerous. Ensure that there are no obstacles behind you and reduce the engine revs before engaging the clutch.

STOPPING


Stopping the rotating tools



Release the clutch lever.

Reduce the gas



Set the throttle control to: 

Stopping the engine



Set the on/off switch to OFF.

Set the choke in position A



Close the fuel tap



MAINTENANCE TABLE


Daily check

Before starting the engine check the following points.

- There must be no loosened or broken nuts or bolts.

Cleanliness of the air filter element



 Do not use inflammable solvent to clean the foam air filter element.

Check lub oil level



- No leaks of petrol or lub oil.

Sufficient petrol



- Keep the machine clean.
- Environment protection.
- No abnormal vibrations or excessive noise.

After the first 20 hours or every month

- Change the lub. oil of engine and gearbox.

Every 50 hours or every 3 months

- Clean the air filter* (2 Fig. 4.5).

Every 100 hours or every 6 months

- Clean the filter.
- Change the lub. oil of engine and gearbox.
- Clean the spark plug.
- Clean the spark plug shield.

Every 300 hours or once a year

- Replace the air filter *.
- Check the play in the valve **.
- Replace the spark plug.
- Clean the fuel filter **.
- Clean combustion chamber **.
- Set the tickover **.
- Check the fuel circuit **.

* Clean more often in condition of use where the air is dusty or laden with aerial debris.

** Not essential except in the event of performance problems (to be conducted by an approved workshop).

MAINTENANCE TABLE



Moving



Stop the engine.

A Set the wheel in movement position.

B Set the handlebars in the low position to facilitate moving the machine.

C Lift the blades from the ground using the handlebars and then advance forwards.

EN

BG

HR

CZ

DA

NL

ET

FI

FR

DE

GR

HU

IT

LV

LT

NO

PL

PT

RO

RU

SK

SL

ES

SE

TR

UK

- EN
- BG
- HR
- CZ
- DA
- NL
- ET
- FI
- FR
- DE
- GR
- HU
- IT
- LV
- LT
- NO
- PL
- PT
- RO
- RU
- SK
- SL
- ES
- SE
- TR
- UK



EC DECLARATION OF CONFORMITY



For the following machinery

Product name: Motor Hoe
 Commercial name: N/A
 Function: Motor Hoe (without driven wheels)
 Type: Gasoline
 Model No.: MFT85 210R
 Serial No.: 16H190570

is here with confirmed to fulfill all the relevant provisions of

Machinery Directive (2006/42/EC)

and the following harmonized standard have been complied with

EN 709: 1997 + A4: 2009
 EN 709: 1997 + A4/AC:2012

is herewith confirmed to fulfill all the relevant provisions of

Electromagnetic Compatibility Directive (2014/30/EU)

and the following harmonized standard have been complied with:

EN ISO 14982: 2009

Responsible for marking this declaration is the

Manufacture's Name : Husqvarna AB
 Manufacturer's Address : SE561 82 HUSKVARNA SWEDEN

Person responsible for compiling the technical files established within the EU

Name, Surname : Husqvarna AB
 Address : SE561 82 HUSKVARNA SWEDEN

Person responsible for making this declaration

Name, Surname : John Thompson
 Position/Title : Product & Marketing Director, Consumer Division EUAP
 Place : Husqvarna UK Ltd, Preston Road
 Aycliffe Industrial Park. Newton Aycliffe
 Co.Durham,DL5 6UP
 Date : 15th November 2016

 (Company stamp and legal signature)

Обръщайте особено внимание на разделите, обозначени по следния начин:



ОПАСНОСТ: Обозначава голяма вероятност за сериозно и дори смъртоносно нараняване, ако инструкциите не се съблюдават.

ПРЕДУПРЕЖДЕНИЕ: Обозначава опасност от нараняване или повреда на машината, ако инструкциите не се съблюдават.

ЗАБЕЛЕЖКА: Обозначава полезна информация.



Този символ Ви напомня да внимавате при определени операции.

Ако имате проблеми или въпроси относно култиватора, свържете се с Вашия одобрен доставчик.



ОПАСНОСТ: Машината е предназначена за безопасна и надеждна работа, когато се използва според указанията. Преди да използвате Вашата машина, моля, погрижете се да прочетете и разберете съдържанието на това ръководство. В противен случай е възможно да се нараните или да се повреди Вашата машина.

Обучение/информация

Запознайте се с правилната употреба и начина на управление на машината, преди да пристъпите към употребата. Научете как да спирате бързо двигателя.

Машината трябва винаги да се използва в съответствие с препоръките, дадени в ръководството за експлоатация.

Не забравяйте, че потребителят е отговорен за всички злополуки или опасни реакции, настъпили с други хора или техни вещи. Негова е отговорността за оценка на потенциалните рискове, свързани с терена, които да бъдат отстранени, и да се вземат всички предпазни мерки, необходими за гарантирането, че работата с машината е безопасна особено когато се работи по наклони и по ронлива почва, хлъзгав или неравен терен.

Никога не позволявайте на деца или хора, непознати с тези инструкции, да използват машината. Възможно е да има закони, които определят минимална възраст за потребителите.

Никога не работете, когато в радиус от 20 метра от машината се намират хора, особено деца или животни. Операторът трябва задължително да поддържа управлението на ръкохватките.

Не използвайте машината, ако сте приели лекарства или други вещества, които е възможно да забавят реакциите Ви или да Ви направят сънливи.

Обръщайте особено внимание, когато работите върху твърда почва, тъй като машината ще бъде много по-нестабилна, отколкото при обработена почва.

Винаги носете здрави, непълзгащи се обувки и плътни дълги панталони по време на работа с машината. Не използвайте машината, когато сте боси или със сандали. Препоръчва се използването на антифони.

Използвайте машината за целта, за която е предназначена – копаене на земята. Всяка друга употреба може да бъде опасна или да причини повреда на машината.

Подготовка

Внимателно инспектирайте участъка, където ще бъде използвана машината, и отстранете предметите, които могат да бъдат хвърлени от машината (камъни, тел, стъкла, метални предмети...).

Преди да пристъпите към употреба на машината, винаги я проверявайте, за да се уверите, че инструментите не са износени или повредени. Сменяйте всички износени или повредени части.

Поддържайте в добро работно състояние електрическите кабели, с които се спира двигателя, за да е сигурно, че ще можете да го изключите.

Проверете дали не са протекли бензин, или масло.

Не използвайте машината без обезопасителния корпус и проверявайте дали всички крепежни елементи са затегнати.

Употреба

Никога не превозвайте хора върху машината.

Погрижете се, когато стартирате мотора, да следвате инструкциите на производителя и да пазите краката си от ножа(овете).

Спрете мотора, когато машината не се използва.

Когато държите машината, ходете, не тичайте.

Обръщайте голямо внимание, когато дърпате машината към Вас или когато обръщате посоката на въртене (когато желаете).

Поддържайте безопасно разстояние от въртящите се ножове, установено от дължината на кормилната колонка.

Не поставяйте ръцете или краката си в близост до или под въртящите се части.

Ако има:

- аномална вибрация,
- блокиране,
- проблем със зацепването или отцепването на съединителя,
- сблъсък с чужд предмет,
- разрушаване на кабела за спиране на двигателя.

Спрете двигателя незабавно (ако кабелът за спиране на двигателя е прекъснат, използвайте стартера, както е описано в параграф "Стартиране на двигателя", за да го спрете), оставете машината да изстине, разкачете проводника на запалителната свещ, проверете машината и ако са необходими ремонтни работи, нека те да бъдат изпълнени от одобрен ремонтен сервиз, преди да подновите използването на машината.

Работете само при дневна светлина или добро изкуствено осветление.

Не използвайте машината по наклони по-големи от 20°.

Работете напречно по склоновете, не нагоре или надолу по тях.

Погрижете се да поддържате устойчиво положение на краката си по наклонения терен, сменяйте посоката много внимателно.

Използването на аксесоари, различни от препоръчаните, може да направи машината опасна и да я повреди, което не се покрива от гаранцията.

Поддръжка/съхранение

Спирайте двигателя и разкачайте запалителната свещ преди почистване, проверка, настройка или поддръжка на машината или смяна на инструмента(ите).

Спрете двигателя, разкачете запалителната свещ и използвайте дебели ръкавици, когато сменяте инструмента(ите).

Поддържайте всички гайки и болтове добре, за да осигурите безопасни условия на употреба.

За да намалите риска от пожар, не съхранявайте растения, отработено масло или други запалителни материали около мотора, заглушителя и мястото за съхранение на горивото.

Ако заглушителят на шума от отработените газове е дефектен, той трябва да бъде подменен от одобрен ремонтен сервиз.

Не ремонтирайте части; сменяйте ги с резервни части от производителя им.

Сменяйте режещите ножове като пълен комплект, за да ги поддържате балансирани.

За Ваша собствена безопасност не изменяйте характеристиките на Вашата машина. Не променяйте настройките на оборотите на двигателя и не го използвайте при по-големи обороти. Редовната поддръжка е от съществено значение за безопасността и за поддръжката на нивото на производителност.

Оставете двигателят да изстине, преди да прибирате машината.

Опасност! Бензинът е силно запалим!

Съхранявайте гориво в специално предназначени за това съдове. Винаги зареждайте резервоара навън и не пушете, докато правите това.

Не развивайте капачката за горивото и не доливайте с бензин, докато двигателят работи или е все още горещ.

Ако бензинът се разлее по земята, не се опитвайте да стартирате двигателя. Пренесете машината другаде и изгъвайте всякакви източници на открит пламък, докато не се разсеят бензиновите изпарения.

Съхранявайте машината на сухо място. Никога не съхранявайте машината в сграда, където бензиновите изпарения могат да достигнат до пламък, искри или източник на интензивна топлина.

Заменяйте капачките на резервоара за гориво и съда с бензин правилно.

Ограничете количеството бензин в резервоара, за да намалите разливането му.

Двигателят не трябва да работи в ограничени пространства, където могат да се съберат изпарения от въглеродния окис.

Въглеродният окис може да бъде смъртоносен. Осигурете добра вентилация.

Преместване, повдигане, транспортиране

Всяко действие върху машината, с изключение на копаене на земя, трябва да бъде изпълнявано при спрян двигател.

С изключение на копаене на земя, машината трябва да се придвижва, като се използват транспортните колела, както е описано в глава "Преместване".

Повдигане: не се опитвайте и не вдигайте машината. Теглото на машината е посочено на фабричната табелка в края на това ръководство. Използвайте метод за повдигане, подходящ за теглото на машината и за ситуацията, за да гарантирате безопасността.

Когато машината се товари на или разтоварва от ремарке, използвайте подходяща рампа. Укрепвайте машината правилно с товарозахватни приспособления, за да осигурите безопасно транспортиране.

Машината трябва да бъде транспортирана в ремарке. Не използвайте каквито и да е други начини на транспортиране.

EN

BG

HR

CZ

DA

NL

ET

FI

FR

DE

GR

HU

IT

LV

LT

NO

PL

PT

RO

RU

SK

SL

ES

SE

TR

UK

ОПРЕДЕЛЕНИЕ НА ПИКТОГРАМИТЕ

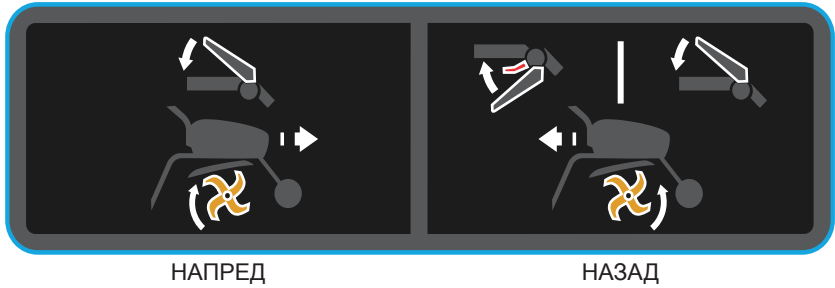
 **ПРЕДУПРЕЖДЕНИЕ**
Опасност

 **ПРЕДУПРЕЖДЕНИЕ**
Поддържайте безопасно разстояние

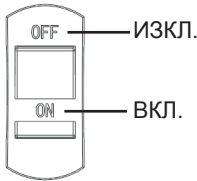
 **ПРЕДУПРЕЖДЕНИЕ**
Въртящи се инструменти

 **ПРЕДУПРЕЖДЕНИЕ**
Консултирайте се с Ръководството за експлоатация и сваляйте запалителната свещ преди изпълнението на каквато и да е работа.


 **ПРЕДУПРЕЖДЕНИЕ**
Прочете Ръководството за експлоатация



Превключвател за изключване



Гарантирано ниво на звукова мощност

 Трябва да се използват антифони.

ТЕХНИЧЕСКА ИНФОРМАЦИЯ

Модел	MFT85 210R	Номинална мощност кс (kW) @ об/мин	4,8 (3,6) @ 3100
Ширина на оране (mm)	780	Предавки	-1,0,1
Дълбочина на оране (mm)	100 – 200	Масло на трансмисията	Грес
Тип на двигателя	McCulloch 210 (WM170F-2/P)	Брутно тегло (kg)	65,0
Горивна смес	Бензин	Нетно тегло (kg)	60,0
Вместимост на резервоара за гориво (L)	3,60	Размер в опаковано състояние (mm)	780x500x660
Вместимост на маслената система (L)	0,35	Сертификация	CE, EAC
Обем	212 cc	Гарантирано ниво на акустично налягане	2 dB(A)
Ниво на звуково налягане	78 dB(A)	Неопределеност на вибрациите	2%
Ниво на звукова мощност	98 dB(A)	Стойност на вибрациите на ръкохватката	Лява ръкохватка: 7,2 mm/s ² Дясна ръкохватка: 7,4 mm/s ²
Неопределеност на шума	2 dB(A)		

РАЗОПАКОВАНЕ/СГЛОБЯВАНЕ

Забележка: В своето постоянно желание за подобряване на продуктите си производителят заявява, че цялото ръководство не представлява договорни отношения и си запазва правото да променя спецификациите на своите машини без предизвестие.

Разопаковане

1.1



ПРЕДУПРЕЖДЕНИЕ:

Внимавайте да не отрежете кабелите или да надраскате боядисаните повърхности на машината, когато режете по ръбовете на кашона.

Реф.	Съдържание на кашона
A	Двигател, част
B	Стабилизиращ прът
C	Предно колело
D	Тръба на стойката
E	Капак на дръжката
F	Бутон
G	Плътен капак
H	Основно острие, дясно
I	Основно острие, ляво
J	Релса
K	Капак на острие
L	Плик с инструменти
M	Предпазител на растения
N	Подострие – 1, ляво
O	Подострие – 1, дясно
P	Подострие – 2, ляво
Q	Подострие – 2, дясно



1.2



Сглобяване

ПРЕДУПРЕЖДЕНИЕ:

Неправилното сглобяване на тази почвообработваща фреза би довело до сериозни наранявания. Следвайте внимателно всички инструкции.

- 1 Монтиране на капака на острието.
- 2 Монтиране на първата група остриета.
Уверете се, че остриетата съчат на една страна.
- 3 Монтиране на стабилизиращия прът.
- 4 Монтиране на предното колело.
- 5 Монтиране на тръбата на стойката.
- 6 Монтиране на релсата.
- 7 Монтиране на капака на дръжката.
- 8 Монтиране на плътния капак.
- 9 Монтиране на втора група остриета – дясно.
- 10 Монтиране на втора група остриета – ляво.
- 11 12 Монтиране на трета група остриета – ляво и дясно.
- 13 14 Монтиране на предпазителя на растения.



Предупреждение:

След като сглобите напълно машината, стегнете всички болтове и винтове умерено, не ги пренатягайте.

Забележка: Всякакви операции по разглобяване трябва да бъдат изпълнявани от одобрен сервизен център.



1.3

Описание на компонентите

- 1 – Двигател
- 2 – Дръжка на съединителя
- 3 – Капак на дръжката
- 4 – Прекъсвач ВКЛ./ИЗКЛ.
- 5 – Предпазител на растения
- 6 – Регулатор на дроселната клапа
- 7 – Ръкохватка
- 8 – Лостов превключвател
- 9 – Острие
- 10 – Стабилизиращ прът
- 11 – Предно колело



1.4

Фабрична табелка на машината



1.5

Транспортно колело

A = Работно положение.
B = Положение при транспортиране.

СТАРТИРАНЕ НА МАШИНАТА



2.1

Зареждане с моторно масло и проверка на нивото



2.2

Доливане на бензин



2.3

Инжектиране на масло в посочената позиция



2.4

Отваряне на превключвателя за бензин



2.5

Установете смукача в положение A



2.6

Управление на газта

Поставете лоста в: **H**



2.7

Поставете прекъсвача в положение "on" (вкл.)



2.8

Издърпайте възвратната ръчка за стартиране



2.9

Установете смукача в положение B



Предупреждение:

Когато машината стартира, останете в безопасната зона.

EN

BG

HR

CZ

DA

NL

ET

FI

FR

DE

GR

HU

IT

LV

LT

NO

PL

PT

RO

RU

SK

SL

ES

SE

TR

UK

УПОТРЕБА



Напред

1. Оставете съединителя за заден ход както си е.
- 2-А. Отключете дръжката на съединителя.
- 2-В. Натиснете дръжката на съединителя



Поддържайте безопасна зона в радиус на 20 m около машината.



Назад

- 1-А. Натиснете червения превключвател за обратно въртене
- 1-В. Стиснете дръжката за обратно въртене
- 2-А. Отключете дръжката на съединителя.
- 2-В. Натиснете дръжката на съединителя



Поддържайте безопасна зона в радиус на 20 m около машината.



Използването на обратно въртене е опасно. Уверете се, че няма препятствия зад Вас и намалете оборотите на двигателя, преди да зацепите съединителя.

СПИРАНЕ



Спиране на въртящите се инструменти

Освободете лоста на съединителя.



Намаляване на газта

Поставете регулатора на дроселната клапа в:



Спиране на двигателя

Поставете прекъсвача в положение "OFF" (ИЗКЛ).



Установете смукача в положение А



Затваряне на крана за гориво

ТАБЛИЦА ЗА ТЕХНИЧЕСКА ПОДДРЪЖКА

Ежедневна проверка

Преди стартиране на двигателя проверете следното.

- Не трябва да има разхлабени или счупени гайки или болтове.



■ Чистота на елемента на въздушния филтър



Не използвайте запалим разтворител за почистване на пенестия елемент на въздушния филтър.



■ Проверка на нивото на смазочното масло

- Няма течове на бензин или смазочно масло.



■ Достатъчно бензин

- Поддържайте машината чиста.

- Опазване на околната среда.

- Без аномални вибрации или твърде голям шум.

След първите 20 часа или на всеки месец

- Сменяйте смазочното масло на двигателя и скоростната кутия.

На всеки 50 часа или на всеки 3 месеца

- Почиствайте въздушния филтър* (2 Фиг. 4.5).

На всеки 100 часа или на всеки 6 месеца

- Почиствайте горивния филтър.
- Сменяйте смазочното масло на двигателя и скоростната кутия.
- Почиствайте запалителната свещ.
- Почиствайте предпазителя на запалителната свещ.

На всеки 300 часа или веднъж годишно

- Подмяна на въздушния филтър*.
- Проверявайте луфта на клапана**.
- Подменете запалителната свещ.
- Почиствайте горивния филтър**.
- Почиствайте камерата на горенето**.
- Задайте работа на празен ход**.
- Проверявайте контура за горивото**.

* Почиствайте по-често при условия на употреба, при които въздухът е замърсен или е натоварен със замърсители на въздуха.

** Без съществено изключение в случай на проблем с технически характеристики (да се провежда от одобрен сервиз).



5.1

← Преместване



Спрете двигателя.

A

Поставете колелото в позиция на движение.

B

Поставете кормилото в долна позиция, за да улесните преместването на машината.

C

Повдигнете ножовете от земята, като използвате дръжките и след това придвижете напред.

EN

BG

HR

CZ

DA

NL

ET

FI

FR

DE

GR

HU

IT

LV

LT

NO

PL

PT

RO

RU

SK

SL

ES

SE

TR

UK

- EN
- BG**
- HR
- CZ
- DA
- NL
- ET
- FI
- FR
- DE
- GR
- HU
- IT
- LV
- LT
- NO
- PL
- PT
- RO
- RU
- SK
- SL
- ES
- SE
- TR
- UK



ЕО ДЕКЛАРАЦИЯ ЗА СЪОТВЕТСТВИЕ



За следното оборудване

Име на продукта: Мотокултиватор
 Търговско наименование: Не е приложимо
 Функция: Мотокултиватор (без задвижвани колела)
 Тип: Бензинов
 Модел №: MFT85 210R
 Сериен №: 16H190570

потвърждава изпълнението на всички приложими разпоредби на

Директива на машините (2006/42/ЕО)

и съответствието със следния хармонизиран стандарт

EN 709: 1997 + A4: 2009
 EN 709: 1997 + A4/AC:2012

потвърждава изпълнението на всички приложими разпоредби на

Директива за електромагнетична съвместимост (2014/30/ЕС)

и съответствието със следния хармонизиран стандарт:

EN ISO 14982: 2009

Отговорен за съставянето на тази декларация е

Име на производителя : Husqvarna AB
 Адрес на производителя : SE561 82 HUSKVARNA SWEDEN

Отговорен за съставянето на техническите досиета, установени в рамките на ЕС

Име, фамилия : Husqvarna AB
 Адрес : SE561 82 HUSKVARNA SWEDEN

Отговорен за съставянето на тази декларация

Име, фамилия : John Thompson
 Позиция/длъжност : Продуктов и маркетингов директор, Отдел "Клиенти" EUAP
 Място : Husqvarna UK Ltd, Preston Road
 Aycliffe Industrial Park. Newton Aycliffe
 Co.Durham,DL5 6UP
 Дата : 15 ноември 2016 г.

(Печат на компанията и подпис на упълномощено лице)

MJERE OPREZA

Posebno obratite pozornost na sljedeće odjeljke:



OPASNOST: Označava veliku vjerojatnost teških ozljeda ili smrti u slučaju nepridržavanja uputa.

UPOZORENJE: Označava opasnost od ozljeda ili oštećenja opreme u slučaju nepridržavanja uputa.

NAPOMENA: Označava korisne informacije.



Taj vas simbol podsjeća na oprez prilikom određenih postupaka.

Ako imate bilo kakva pitanja ili probleme s kulti-vatorom, obratite se ovlaštenom dobavljaču.



OPASNOST: Upotrebom u skladu s uputama osigurat ćete siguran i pouzdan rad stroja. Prije upotrebe stroja s razumijevanjem pročitajte sadržaj ovog priručnika. U protivnom bi moglo doći do ozljeda ili oštećenja opreme.

Obuka/informacije

Prije upotrebe stroja upoznajte se s njegovim upravljačkim elementima i pravilnom upotrebom. Morate znati kako brzo zaustaviti motor.

Stroj se mora uvijek koristiti u skladu s preporukama u priručniku za upotrebu.

Imajte na umu da je korisnik odgovoran za sve nezgode i opasne reakcije kojima ugrozi druge osobe ili njihovu imovinu. Korisnik mora procijeniti potencijalne opasnosti terena koji se obrađuje i poduzeti sve mjere opreza kako bi omogućio što veću sigurnost u radu, osobito na padinama te na rastresitom, klizavom ili neravnom terenu.

Upotrebu stroja nemojte dopustiti djeci ni osobama koje nisu upoznate s ovim uputama. Zakonima možda je utvrđena minimalna dob korisnika.

Nemojte koristiti stroj ako u krugu od 20 metara ima drugih osoba, a posebice djece ili životinja. Rukovatelj mora čitavo vrijeme imati kontrolu nad ručkama za upravljanje.

Nemojte koristiti stroj ako ste uzeli lijekove ili druge tvari koje bi mogle izazvati sporije reakcije ili pospanost.

Budite posebno oprezni na tvrdom terenu jer je stroj na njemu nestabilniji nego na obrađenom tlu.

Tijekom rada uvijek nosite čvrstu obuću koja se ne kliže i duge uske hlače. Nemojte koristiti stroj bosonogi ni u sandalama. Preporučuju se štitnici za uši.

Stroj koristite u svrhe za koje je namijenjen, odnosno za kopanje tla. Svaka druga upotreba stroja može biti opasna ili uzrokovati oštećenja.

Priprema

Pažljivo pregledajte područje na kojem ćete koristiti stroj i uklonite sve predmete koje bi stroj mogao odbaciti (kamenje, žicu, staklo, metalne predmete...).

Prije upotrebe uvijek pregledajte stroj kako biste provjerili nisu li alati istrošeni ili oštećeni. Zamijenite sve oštećene dijelove.

Električne kabele kojima se zaustavlja motor održavajte u dobrom stanju kako biste bili sigurni da će isključiti motor.

Provjerite ne curi li benzin ili ulje.

Ne koristite stroj bez zaštitnih poklopaca i provjerite jesu li svi spojevi zategnuti.

Upotreba

Na stroju nemojte prevoziti druge osobe.

Prilikom pokretanja motora budite oprezni, pridržavajte se uputa proizvođača i noge držite podalje od noževa.

Dok se stroj ne koristi, zaustavite motor.

Strojem upravljajte hodajući, a ne trčeći.

Budite izuzetno oprezni dok stroj vučete prema sebi ili po potrebi mijenjate smjer vrtnje.

Držite se na sigurnoj udaljenosti od rotirajućih noževa, u skladu s duljinom upravljačke poluge.

Ruke i noge nemojte stavljati blizu ni ispod rotirajućih dijelova.

Ako primijetite:

- neuobičajene vibracije
- blokadu
- poteškoće s aktiviranjem ili otpuštanjem spojke
- udar o strano tijelo
- istrošenost kabela za zaustavljanje motora

Odmah zaustavite motor. Ako je kabel za zaustavljanje motora presječen, motor zaustavite upravljačkim elementom za pokretanje kao što je opisano u odjeljku "Pokretanje motora". Pustite da se motor ohladi, odspojite vod iz svjećice i pregledajte stroj. Prije ponovne upotrebe ovlaštenu servisera mora provesti sve nužne popravke.

Koristite samo pri dnevnom svjetlu ili dobrom umjetnom svjetlu.

Stroj nemojte koristiti na padinama strmijima od 20°.

Po padinama se strojem krećite poprečno, a ne prema gore ili dolje.

Na padinama pažljivo koračajte i budite vrlo oprezni prilikom promjene smjera.

Dodatna oprema koja nije preporučena može stroj učiniti opasnim ili na stroju prouzročiti oštećenja koja nisu pokrivena jamstvom.

Održavanje/čuvanje

Prije čišćenja, pregledavanja, podešavanja ili održavanja stroja i zamjene alata zaustavite motor i odspojite svjećicu.

Prilikom zamjene alata zaustavite motor, odspojite svjećicu i koristite debele zaštitne rukavice.

Kako bi se osigurali sigurni radni uvjeti, sve matice i vijci moraju biti zategnuti.

Kako biste smanjili opasnost od požara, u prostoru za čuvanje motora, prigušivača i goriva nemojte držati biljke, otpadno ulje ni druge zapaljive materijale.

Ako je prigušivač ispuha neispravan, zatražite od ovlaštenog servisera da ga zamijeni.

Nemojte popravljati dijelove, već ih zamijenite rezervnim dijelovima originalnog proizvođača.

Noževe zamjenjujte u kompletu kako bi ostali uravnoteženi.

Radi vlastite sigurnosti nemojte mijenjati značajke stroja. Nemojte mijenjati postavke brzine motora ni puštati da motor radi prevelikom brzinom. Kako biste sačuvali sigurnost i učinkovitost stroja, ključno je redovito održavanje.

Prije pospremanja stroja pustite da se motor ohladi.

Opasnost! Benzin je izuzetno zapaljiv!

Gorivo čuvajte u spremnicima koji su za to posebno oblikovani. Spremnik za gorivo stroja uvijek puniti na otvorenom i pritom nemojte pušiti.

Dok motor radi ili je još vruć, nemojte odvrtni čep za gorivo ni dolijevati benzin.

Ako benzin proljetje po tlu, nemojte pokušavati pokrenuti motor. Prenesite stroj na drugo mjesto i izbjegavajte otvoreni plamen sve dok se benzinske pare ne rasprše.

Stroj čuvajte na suhom mjestu. Stroj nemojte čuvati u prostoru u kojem benzinske pare mogu dospjeti do plamena, iskre ili izvora intenzivne topline.

Čepove spremnika za gorivo i posude za benzin pravilno vratite na mjesto.

Ograničite količinu benzina u spremniku kako biste izbjegli prolijevanje.

Nemojte pustiti da motor radi u zatvorenom prostoru gdje može doći do nakupljanja ugljičnog monoksida.

Ugljični monoksid može biti smrtonosan. Osigurajte dobro provjetranje.

Premještanje, rukovanje i transport

Osim kopanja tla, sve radnje na stroju moraju se obavljati kada je motor zaustavljen.

Izuzetak je situacija u kojoj je (prilikom kopanja tla) stroj potrebno premjestiti pomoću kotača za transport kao što je opisano u poglavlju "Premještanje".

Rukovanje: nemojte pokušavati podići stroj. Masa stroja naznačena je na deklaraciji proizvođača na kraju ovog priručnika. Radi vlastite sigurnosti strojem rukujte u skladu s njegovom masom i situacijom.

Za utovar stroja na prikolici i njegov istovar koristite odgovarajuću rampu. Radi sigurnog transporta stroj pravilno pričvrstite.

Stroj se mora prevoziti u prikolici. Nemojte koristiti nikakva druga sredstva prijevoza.

EN

BG

HR

CZ

DA

NL

ET

FI

FR

DE

GR

HU

IT

LV

LT

NO

PL

PT

RO

RU

SK

SL

ES

SE

TR

UK

DEFINICIJA PIKTOGRAMA



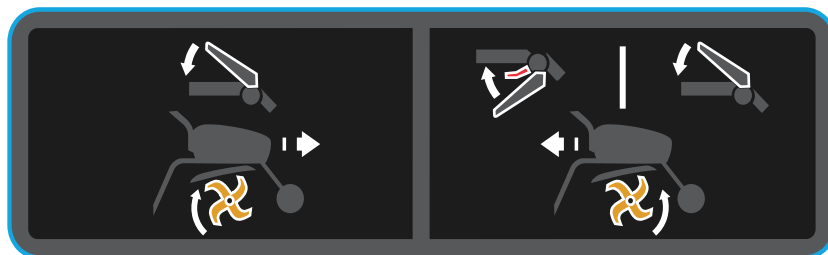
UPOZORENJE
Opasnost

UPOZORENJE
Održavajte sigurnu udaljenost

UPOZORENJE
Rotirajući alati

UPOZORENJE
Pogledajte priručnik za rukovatelja i izvadite svjeću prije daljnjih postupaka.

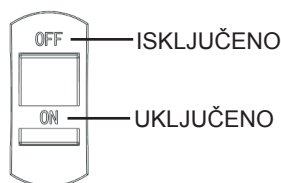
UPOZORENJE
Pročitajte priručnik za rukovatelja



NAPRIJED

UNATRAG

Prekidač za zaustavljanje



Zajamčena razina jakosti zvuka



Potrebno je koristiti štitnike za uši.

TEHNIČKE INFORMACIJE

Model	MFT85 210R	Nominal power hp (kW) @ rpm	4,8 (3,6) pri 3100
Širina obrade tla (mm)	780	Stupnjevi prijenosa	-1, 0, 1
Dubina obrade tla (mm)	100 – 200	Ulje u sustavu prijenosa	Mazivo
Vrsta motora	McCulloch 210 (WM170F-2/P)	Bruto masa (kg)	65,0
Pogonsko gorivo	Benzin	Neto masa (kg)	60,0
Zapremnina spremnika za gorivo (l)	3,60	Dimenzije paketa (mm)	780 x 500 x 660
Količina ulja (l)	0,35	Certifikat	CE, EAC
Zapremnina	212 cm ³	Zajamčena akustična razina buke	2 dB(A)
Razina tlaka zvuka	78 dB(A)	Nesigurnost vibracija	2%
Razina jakosti zvuka	98 dB(A)	Vrijednost vibracije rukohvata	Lijeva drška: 7,2 mm/s ² Desna drška: 7,4 mm/s ²
Nesigurnost buke	2 dB(A)		

RASPAKIRAVANJE/SASTAVLJANJE

Napomena: Proizvođač konstantno nastoji poboljšati proizvod i stoga izjavljuje da sadržaj ovog priručnika nije ugovorni te pridržava pravo izmjene specifikacija strojeva bez obavijesti.

Raspakiranje

UPOZORENJE: Pripazite da prilikom rezanja rubova paketa ne prerežete kabele i ne ogrebete boju na stroju.

Ref.	Sadržaj paketa
A	Dio motora
B	Uporišna šipka
C	Prednji kotač
D	Oslonac
E	Poklopac rukohvata
F	Gumb
G	Štitnik
H	Glavni zubac, desni
I	Glavni zubac, lijevi
J	Šina
K	Poklopac zubaca
L	Torba za alat
M	Štitnik za biljke
N	Zubac nižeg reda 1, lijevi
O	Zubac nižeg reda 1, desni
P	Zubac nižeg reda 2, lijevi
Q	Zubac nižeg reda 2, desni

Sastavljanje

UPOZORENJE: Nepravilno sastavljanje ovog rotacijskog orača može dovesti do teških ozljeda. Pažljivo se pridržavajte svih uputa.

- 1 Montaža štitnika za zupce.
- 2 Postavljanje prve skupine zubaca.
Pripazite da oštri bridovi budu okrenuti na jednu stranu.
- 3 Montaža uporišne šipke.
- 4 Montaža prednjeg kotača.
- 5 Montaža oslonca.
- 6 Montaža prečke.
- 7 Montaža poklopca za rukohvat.
- 8 Montaža štitnika.
- 9 Montaža druge skupine zubaca – desno.
- 10 Montaža druge skupine zubaca – lijevo.
- 11 12 Montaža treće skupine zubaca – lijevo i desno.
- 13 14 Montaža štitnika za biljke.

Upozorenje: Nakon potpunog sastavljanja stroja umjereno zategnite sve vijke i matice: nemojte ih pretjerano zategnuti.

Napomena: Bilo kakvo rastavljanje dopušteno je samo ovlaštenih radionicama.

Opis dijelova

- 1 - Motor
- 2 - Ručka spojke
- 3 - Poklopac rukohvata
- 4 - Prekidač za uključivanje/isključivanje
- 5 - Štitnik za biljke
- 6 - Regulacija gasa
- 7 - Komplet ručica
- 8 - Pomicanje poluga
- 9 - Zubac
- 10 - Uporišna šipka
- 11 - Prednji kotač

Identifikacijska pločica stroja

Kotač za transport

A = radni položaj.
B = položaj za transport.

POKRETANJE STROJA

2.1 Ulijevanje motornog ulja i provjera razine

2.2 Ulijevanje benzina

2.3 Ubrizgavanje ulja na predviđeno mjesto

2.4 Otvorite prekidač za benzin

2.5 Čok postavite u položaj A

2.6 Regulator gasa
Polugu postavite ovako: **H**

2.7 Prekidač za uključivanje/isključivanje postavite u položaj "on" (uključeno).

2.8 Povucite povratnu ručku za pokretanje

2.9 Čok postavite u položaj B

Upozorenje: Prilikom pokretanja stroja budite na sigurnoj udaljenosti.

EN

BG

HR

CZ

DA

NL

ET

FI

FR

DE

GR

HU

IT

LV

LT

NO

PL

PT

RO

RU

SK

SL

ES

SE

TR

UK

UPOTREBA



Naprijed

1. Spojku za kretanje unatrag ostavite na mjestu.
- 2-A. Otključajte ručicu spojke.
- 2-A. Pritisnite ručicu spojke



Pazite na sigurnosnu zonu u krugu od 20 m oko stroja.



Kretanje prema natrag

- 1-A. Prebacite crveni prekidač za kretanje unatrag
- 1-B. Stisnite ručicu za kretanje unatrag
- 2-A. Otključajte ručicu spojke.
- 2-A. Pritisnite ručicu spojke



Pazite na sigurnosnu zonu u krugu od 20 m oko stroja.



Kretanje unatrag je opasno. Pazite da iza vas nema prepreka i prije aktiviranja spojke smanjite broj okretaja motora.

ZAUSTAVLJANJE



Zaustavljanje rotirajućih alata

Otpustite ručicu spojke.



Smanjite gas

Regulator gasa postavite ovako: **L**



Zaustavljanje motora

Prekidač za uključivanje/isključivanje postavite u položaj OFF (Isključeno).



Čok postavite u položaj A



Zatvorite ventil goriva

TABLICA ODRŽAVANJA

Svakodnevna provjera

Prije pokretanja motora provjerite sljedeće pojedinosti.

- Ne smije biti olabavljenih ni slomljenih vijaka ni matica.



■ Čistoća filtra za zrak



Za čišćenje filtra za zrak nemojte koristiti zapaljiva otapala.



■ Provjerite razinu ulja za podmazivanje

- Provjera curenja benzina ili ulja za podmazivanje.



■ Dovoljno benzina

- Održavajte stroj čistim.

- Zaštita okoliša.

- Nema neuobičajenih vibracija ni pretjerane buke.

Nakon prvih 20 sati ili svakog mjeseca

- Zamijenite ulje za podmazivanje motora i mjenjačke kutije.

Svaki 50 sati ili svaka tri mjeseca

- Očistite filtar zraka* (2 sl. 4.5).

Svaki 100 sati ili svakih šest mjeseci

- Očistite filtar.
- Zamijenite ulje za podmazivanje motora i mjenjačke kutije.
- Očistite svjećicu.
- Očistite štitnik svjeće.

Svaki 300 sati ili jedanput godišnje

- Zamijenite filtar zraka*.
- Provjerite zračnost ventila**.
- Promijenite svjećicu.
- Očistite filtar za gorivo**.
- Očistite komoru za sagorijevanje**.
- Postavite prazan hod**.
- Provjerite sustav prolaska goriva**.

* Čistite češće ako u okruženju ima mnogo prašine ili nečistoća u zraku.

** Nije ključno osim u slučaju problema s performansama (postupak provodi ovlaštena radionica).

EN

BG

HR

CZ

DA

NL

ET

FI

FR

DE

GR

HU

IT

LV

LT

NO

PL

PT

RO

RU

SK

SL

ES

SE

TR

UK



Prijenos



Zaustavite motor.

A Kotač postavite u položaj za kretanje.

B Rukohvate postavite u donji položaj kako biste olakšali kretanje stroja.

C Podignite noževe s tla pomoću rukohvata i krenite naprijed.

EN

BG

HR

CZ

DA

NL

ET

FI

FR

DE

GR

HU

IT

LV

LT

NO

PL

PT

RO

RU

SK

SL

ES

SE

TR

UK

- EN
- BG
- HR**
- CZ
- DA
- NL
- ET
- FI
- FR
- DE
- GR
- HU
- IT
- LV
- LT
- NO
- PL
- PT
- RO
- RU
- SK
- SL
- ES
- SE
- TR
- UK



EC DEKLARACIJA USKLAĐENOSTI



Za sljedeći stroj

Naziv proizvoda: motorni kopač
Trgovački naziv: nema podataka
Funkcija: motorni kopač (bez kotača za vožnju)
Vrsta: benzinski
Br. modela: MFT85 210R
Serijski br.: 16H190570

ovime se potvrđuje da ispunjava sve relevantne odredbe

Direktive o strojevima (2006/42/EZ)

i primijenjene su sljedeće usklađene norme

EN 709: 1997 + A4: 2009.
EN 709: 1997 + A4/AC:2012

ovime se potvrđuje da ispunjava sve relevantne odredbe

Direktive o elektromagnetskoj usklađenosti (2014/30/EU)

i primijenjene su sljedeće usklađene norme:

EN ISO 14982: 2009.

Odgovornost za izradu ove izjave snosi

Naziv proizvođača : Husqvarna AB
Adresa proizvođača : SE561 82 HUSKVARNA, ŠVEDSKA

Osoba odgovorna za prikupljanje tehničkih datoteka utvrđenih unutar EU

Ime, prezime : Husqvarna AB
Adresa : SE561 82 HUSKVARNA, ŠVEDSKA

Osobe odgovorne za izradu ove izjave

Ime, prezime : John Thompson
Položaj/funkcija : direktor za proizvode i marketing, potrošački odjel EUAP
Lokacija : Husqvarna UK Ltd, Preston Road
Aycliffe Industrial Park. Newton Aycliffe
Co.Durham,DL5 6UP
Datum: : 15. studenog 2016.

(Žig tvrtke i pravovaljani potpis)

BEZPEČNOSTNÍ OPATŘENÍ

Pozornost věnujte obzvláště částem označeným následovně:



NEBEZPEČÍ: Takto se označuje velká pravděpodobnost vážného nebo smrtelného úrazu při nedodržení pokynů.

VAROVÁNÍ: Takto je označeno nebezpečí poranění nebo poškození vybavení při nedodržení pokynů.

POZNÁMKA: Takto jsou označeny užitečné informace.



Tento symbol připomíná, abyste u určitých úkonů byli opatrní.

Pokud máte jakékoli problémy nebo dotazy týkající se kultivátoru, obraťte se na schváleného dodavatele.



NEBEZPEČÍ: Zařízení je konstruováno tak, aby při použití podle pokynů fungovalo bezpečně a spolehlivě. Před použitím stroje se ujistěte, že jste porozuměli obsahu této příručky. Jinak byste mohli utrpět zranění a mohlo by dojít k poškození vybavení.

Školení/informace

Před použitím stroje se obeznamte se správným používáním a ovládacími prvky. Naučte se rychle vypnout motor.

Stroj se musí vždy používat v souladu s doporučeními uvedenými v uživatelské příručce.

Mějte na paměti, že uživatel nese odpovědnost za veškeré nehody nebo nebezpečné reakce způsobené jiným osobám nebo jejich majetku. Povinností uživatele je vyhodnotit možná rizika spojená s půdou, která se má čistit, a podniknout veškerá bezpečnostní opatření nezbytná k zajištění bezpečnosti, zejména na svazích a na nepevné, kluzké nebo nerovné půdě.

Nikdy nedovolte dětem nebo osobám, které se neseznámily s těmito pokyny, aby výrobek používaly. Mohou existovat místní zákony, které stanoví minimální věk uživatelů.

Nikdy nepracujte na místech, kde jsou v okruhu 20 metrů od stroje lidé, zejména děti, nebo zvířata; uživatel musí mít nezbytně stále pod kontrolou ovládání rukojeti.

Nepoužívejte stroj, pokud užíváte léky nebo jiné látky, které by mohly zpomalit vaše reakce nebo vám navodit pocit malátnosti.

Opatrnosti dbejte zejména na tvrdé půdě, protože na ní má stroj tendenci k mnohem nižší stabilitě než na obdělávané půdě.

Při práci vždy noste odolnou obuv, která neklouže, a přílehavé dlouhé kalhoty. Stroj nepoužívejte, pokud jste bosí nebo máte na nohou sandály. Doporučuje se použít ochranu sluchu.

Stroj používejte k účelu, ke kterému je určen, tj. k hloubení otvorů v zemi. Jakékoli jiné použití může být nebezpečné nebo způsobit poškození stroje.

Příprava

Pečlivě prohlédněte oblast, kde se bude přístroj používat, a odstraňte všechny předměty, které by zařízení mohlo promítat (kamery, dráty, sklo, kovové předměty...).

Před použitím přístroj vždy zkontrolujte a ujistěte se, že nástroje nejsou opotřebené nebo poškozené. Veškeré opotřebené nebo poškozené díly vyměňte.

Elektrické kabely, které zastavují motor, udržujte v dobrém stavu, abyste mohli motor s jistotou vypnout.

Zkontrolujte, zda neuniká benzín nebo nafta.

Nepoužívejte stroj bez ochranných krytů a zajistěte, aby byly všechny spojky dotažené.

Použití

Ve stroji nikdy nepřevážte osoby.

Při startování motoru buďte opatrní, postupujte podle pokynů výrobce a nohy udržujte mimo dosah nožů.

Když se stroj nepoužívá, vypněte motor.

Když stroj držíte, neběhejte, pouze chodte.

Když stroj přitahujete k sobě nebo měníte směr otáčení (pokud chcete), buďte velmi opatrní.

Udržujte bezpečnou vzdálenost od rotujících nožů, která je dána délkou sloupku řízení.

Nedávejte ruce ani nohy do blízkosti rotujících částí ani pod ně.

Pokud nastanou následující situace:

- abnormální vibrace,
 - zablokování,
 - problém s aktivací nebo deaktivací spojky,
 - kolize s vizím předmětem,
 - špatný stav lanka zastavení motoru,
- motor ihned vypněte (pokud je lanko zastavení motoru přetřesené, použijte k zastavení motoru ovládací startéru, jak je popsáno v odstavci „startování motoru“), nechte stroj vychladnout, odpojte kabel zapalovací svíčky, zkontrolujte stroj a před opětovným použitím nechte schváleného opraváře provést nezbytné opravy.

Pracujte pouze za denního světla nebo při dobrém umělém osvětlení.

Nepoužívejte stroj na svazích s vyšším sklonem než 20 °.

Na svazích pracujte příčným směrem, nikoli směrem nahoru a dolů.

Na svažujícím se povrchu neustále udržujte rovnováhu a směr měňte velmi opatrně.

Při použití jiného než doporučeného příslušenství může být stroj nebezpečný a může dojít k poškození stroje, na které se nebudou vztahovat záruka.

Údržba/uložení

Před čištěním, kontrolou, nastavením nebo údržbou stroje nebo výměnou nástrojů zastavte motor a odpojte zapalovací svíčku.

Při výměně nástrojů zastavte motor, odpojte zapalovací svíčku a použijte silné rukavice.

Abyste zajistili bezpečné podmínky používání, musí být všechny matice a šrouby stále dotažené.

Aby se snížilo nebezpečí požáru, dbejte, aby na motoru, tlumiči a v oblasti uložení paliva nebyly rostliny, vyjetý olej nebo jiný hořlavý materiál.

Pokud je tlumič výfukových plynů vadný, nechte jej vyměnit schváleným opravářem.

Součásti neopravujte; nahraďte je náhradními díly původního výrobce.

Břity vyměňujte po celých sadách, aby zůstaly vyvážené.

V zájmu vlastní bezpečnosti neměřte vlastnosti stroje. Neměňte nastavení rychlosti motoru a nespouštějte motor na příliš vysokou rychlost. Pro bezpečnost a udržení úrovně výkonu má zásadní význam pravidelná údržba.

Než stroj uklidíte na místo, nechte motor vychladnout.

Nebezpečí ! Benzín je vysoce hořlavý!

Palivo skladujte v nádobách, které jsou k tomu speciálně určeny. Nádrž vždy plňte venku a při jejím plnění nekuřte.

Když motor běží nebo je ještě horký, neodšroubovávejte víčko palivové nádrže ani ji nedolévejte benzinem.

Pokud je na zemi rozlitý benzín, nepokoušejte se nastartovat motor; přeneste stroj jinam a dokud se benzinové páry nerozptýlí, vyhybte se veškerému otevřenému ohni.

Stroj ukládejte na suchém místě. Nikdy stroj neskladujte v budově, kde se mohou benzinové páry dostat do kontaktu s ohněm, jiskrou nebo silným zdrojem tepla.

Na palivovou nádrž a plechovku s benzinem vracejte řádně uzávěry.

Abyste zabránili vylití, omezte množství benzínu v nádrži.

Motor nespouštějte ve stísněném prostoru, kde by se mohly hromadit páry kyslíčnicku uhelnatého.

Kyslíčnick uhelnatý může být smrtelný. Zajistěte dobré odvětrávání.

Přesuny, manipulace a přeprava

Jakákoli činnost se strojem kromě hloubení otvorů v zemi se musí provádět s vypnutým motorem.

S výjimkou (hloubení otvorů v zemi) se stroj musí přesunovat pomocí přepravního kolečka, jak je popsáno v kapitole „Přesuny“.

Manipulace: stroj se nepokoušejte zvedat. Hmotnost stroje je uvedena na štítku výrobce na konci této příručky. Abyste zajistili bezpečnost, používejte způsob manipulace přizpůsobený hmotnosti stroje a dané situaci.

Při nakládání stroje na přívěs nebo jeho vykládání z přívěsu použijte vhodnou rampu. Abyste zajistili bezpečnou přepravu, stroj řádně zajistěte řemeny.

Stroj by se měl přepravovat na přívěsu; jiný způsob přepravy nepoužívejte.

EN

BG

HR

CZ

DA

NL

ET

FI

FR

DE

GR

HU

IT

LV

LT

NO

PL

PT

RO

RU

SK

SL

ES

SE

TR

UK

DEFINICE PIKTOGRAMŮ



VAROVÁNÍ
Nebezpečí



VAROVÁNÍ
Udržujte bezpečnou vzdálenost



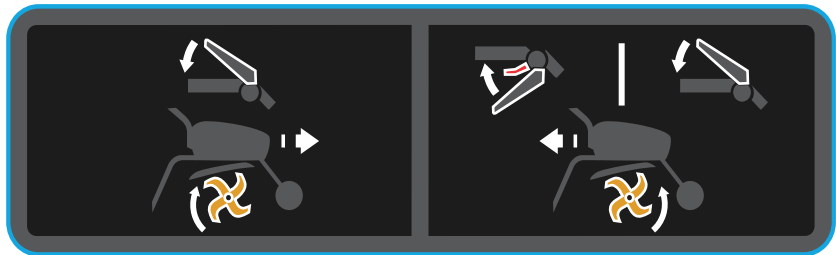
VAROVÁNÍ
Rotující nástroje



VAROVÁNÍ
Před prováděním jakékoli činnosti se podívejte do návodu k použití a vyjměte zapalovací svíčku.



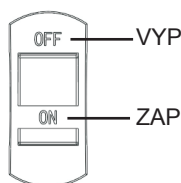
VAROVÁNÍ
Čtěte návod k použití



DOPŘEDU

ZPĚTNÝ CHOD

Stop spínač (vypínač zapalování)



Garantovaná hladina akustického výkonu



Je nutné používat ochranu sluchu.

TECHNICKÉ INFORMACE

Model	MFT85 210R	Jmenovitý výkon hp (kW) @ ot/min	4,8 (3,6) @ 3100
Šíře obdělávání (mm)	780	Převody	-1,0,1
Hloubka obdělávání (mm)	100–200	Převodový olej	Mazivo
Typ motoru	McCulloch 210 (WM170F-2/P)	Hrubá hmotnost (kg)	65,0
Palivo	Benzín	Čistá hmotnost (kg)	60,0
Objem palivové nádrže (l)	3,60	Rozměr balení (mm)	780 x 500 x 660
Kapacita oleje (l)	0,35	Certifikace	CE, EAC
Objem válce	212 cm ³	Garantovaná hladina akustického tlaku	2 dB(A)
Hladina akustického tlaku	78 dB(A)	Odchylka vibrace	2%
Hladina akustického výkonu	98 dB(A)	Úroveň vibrací rukojetí	Levá rukojeť: 7.2 mm/s ² Pravá rukojeť: 7.4 mm/s ²
Odchylka hluku	2 dB(A)		

VYBALENÍ / MONTÁŽ

Poznámka: Výrobce v neustálé snaze zlepšovat své produkty prohlašuje, že tato příručka jako celek nemá smluvní charakter a vyhrazuje si právo bez předchozího upozornění upravovat specifikace svých strojů.

1.1 Vybalení

VAROVÁNÍ:
Dejte pozor, abyste při prořezávání hran krabice nepřezřeli kabely nebo nepoškrábali nátěr na stroji.

Ref.	Obsah krabice
A	Součást motoru
B	Odporová tyč
C	Přední kolo
D	Trubka stojanu
E	Kryt madla
F	Křídlatý šroub
G	Úpravný kryt
H	Hlavní hroty, vpravo
I	Hlavní hroty, vlevo
J	Kolejnice
K	Kryt hrotů
L	Pouzdro na nástroje
M	Ochranný kryt rostlin
N	Dílčí hroty -1, vlevo
O	Dílčí hroty -1, vpravo
P	Dílčí hroty -2, vlevo
Q	Dílčí hroty -2, vpravo

1.2 Montáž

VAROVÁNÍ:
nesprávná montáž tohoto rotačního kypřiče by mohla způsobit vážná zranění. Veškeré pokyny je třeba důsledně dodržovat.

- 1 Upevnění krytu s hroty.
- 2 Upevnění první skupiny hrotů.
Ujistěte se, že ostré okraje směřují na jednu stranu.
- 3 Upevnění odporové tyče.
- 4 Upevnění předního kola.
- 5 Upevnění trubky stojanu.
- 6 Upevnění lišty.
- 7 Upevnění krytu madla.
- 8 Upevnění úpravného krytu.
- 9 Upevnění druhé skupiny hrotů – vpravo.
- 10 Upevnění druhé skupiny hrotů – vlevo.
- 11 12 Upevnění třetí skupiny hrotů – vlevo a vpravo.
- 13 14 Upevnění ochranného krytu rostlin.

Varování:
Po úplné montáži stroje mírně dotáhněte všechny svorníky a šrouby: neutahujte je příliš.

Poznámka: Jakékoli demontážní práce smí provádět pouze schválená dílna.

1.3 Popis součástí

- 1 -Motor
- 2 -Rukojeť spojky
- 3 -Kryt madla
- 4 -Vypínač
- 5 -Ochranný kryt rostlin
- 6 -Ovládání plynu
- 7 -Sestava rukojeti
- 8 -Posun páky
- 9 -Hroty
- 10 -Odporová tyč
- 11 -Přední kolo

1.4 Identifikační štítek stroje

1.5 Transportní kolečko

A = Pracovní poloha.
B = Přepravní poloha.

SPUŠTĚNÍ STROJE

2.1 Doplnění motorového oleje a kontrola hladiny

2.2 Doplnění benzínu

2.3 Vstřikování oleje do určené pozice

2.4 Otevřete spínač benzínu

2.5 Nastavte sytič do polohy A

2.6 Ovládání plynu
Posuňte páčku do polohy. H

2.7 Nastavte vypínač do polohy „on“ (zapnuto)

2.8 Zatáhněte za rukojeť startovací šňůry

2.9 Nastavte sytič do polohy B

Varování:
Po nastartování stroje zůstaňte v bezpečnostní zóně.

EN

BG

HR

CZ

DA

NL

ET

FI

FR

DE

GR

HU

IT

LV

LT

NO

PL

PT

RO

RU

SK

SL

ES

SE

TR

UK

POUŽITÍ



Dopředu

1. Ponechte vratnou spojku tak, jak je.
- 2-A. Uvolněte rukojeť spojky.
- 2-B. Stlačte rukojeť spojky.



Dodržujte kolem stroje bezpečnostní zónu o poloměru 20 m.



Dozadu

- 1-A. Vypněte a zapněte červený spínač pro jízdu vzad
- 1-B. Stiskněte rukojeť zpátečky
- 2-A. Uvolněte rukojeť spojky.
- 2-B. Stlačte rukojeť spojky.



Dodržujte kolem stroje bezpečnostní zónu o poloměru 20 m.



Použití zpátečky je nebezpečné. Před aktivací spojky se ujistěte, že za vámi nejsou žádné překážky a snižte otáčky motoru.

VYPNUTÍ



Zastavení rotujících nástrojů

Uvolněte páčku spojky.



Zastavení motoru

Přepněte spínač do polohy „OFF“ (Vypnuto).



Zavřete víčko palivové nádrže.



Ubrání plynu

Nastavte ovládání plynu do polohy:



Nastavte sytič do polohy A

TABULKA ÚDRŽBY

Každodenní kontrola

Před nastartováním motoru zkontrolujte následující body.

- Žádné matice ani šrouby nesmí být uvolněné ani polámané.



■ Čistota vložky vzduchového filtru



K čištění pěnové vložky vzduchového filtru nepoužívejte hořlavé čisticí prostředky.



■ Zkontrolujte hladinu lubrikačního oleje

- Neuniká benzín ani lubrikační olej.



■ Dostatečné množství benzínu

- Udržujte stroj v čistotě.

- Je zajištěna ochrana životního prostředí.

- Stroj nevykazuje abnormální vibrace ani nevypadá nadměrný hluk.

Po prvních 20 hodinách nebo každý měsíc

- Vyměňte lubrikační olej v motoru a převodovku.

Každých 50 hodin nebo každé 3 měsíce

- Vyčistěte vzduchový filtr* (2 Obr. 4.5).

Každých 100 hodin nebo každých 6 měsíců

- Vyčistěte filtr.
- Vyměňte lubrikační olej v motoru a převodovku.
- Vyčistěte zapalovací svíčku.
- Vyčistěte kryt zapalovací svíčky.

Každých 300 hodin nebo jednou za rok

- Vyměňte vzduchový filtr*.
- Zkontrolujte akci ve ventilu**.
- Vyměňte zapalovací svíčku.
- Vyčistěte palivový filtr**.
- Vyčistěte spalovací komoru**.
- Nastavte chod naprázdno**.
- Zkontrolujte okruh paliva**.

* Čistěte častěji v podmínkách použití, kde je ve vzduchu prach nebo drobné polévané nečistoty.

** Nemá zásadní význam s výjimkou problémů s výkonem (provede schválená dílna).

EN

BG

HR

CZ

DA

NL

ET

FI

FR

DE

GR

HU

IT

LV

LT

NO

PL

PT

RO

RU

SK

SL

ES

SE

TR

UK



5.1

← Přemístování



Vypněte motor.

A Nastavte kolo do přepravní polohy.

B Sklopte řídicí rukojeť, aby se zjednodušila přeprava stroje.

C Pomocí řídicí rukojeti zvedněte hroty ze země a jedte dopředu.

EN

BG

HR

CZ

DA

NL

ET

FI

FR

DE

GR

HU

IT

LV

LT

NO

PL

PT

RO

RU

SK

SL

ES

SE

TR

UK

- EN
- BG
- HR
- CZ**
- DA
- NL
- ET
- FI
- FR
- DE
- GR
- HU
- IT
- LV
- LT
- NO
- PL
- PT
- RO
- RU
- SK
- SL
- ES
- SE
- TR
- UK



PROHLÁŠENÍ O SHODĚ EU



Pro následující strojní zařízení

Název výrobku: Motorová motyka
Komerční název: Není k dispozici
Funkce: Motorová motyka (bez poháněných koleček)
Typ: Benzínová
Č. modelu: MFT85 210R
Sériové číslo: 16H190570

se tímto potvrzuje, že splňuje všechny relevantní předpisy

Směrnice pro strojní zařízení (2006/42/ES)

a vyhovuje následující harmonizované normě

EN 709: 1997 + A4: 2009
EN 709: 1997 + A4/AC:2012

je tímto potvrzeno, že splňuje všechny relevantní předpisy

Směrnice pro elektromagnetickou kompatibilitu (2014/30/EU)

a vyhovuje následující harmonizované normě:

EN ISO 14982: 2009

Odpovědnost za toto prohlášení nese

Název výrobce : Husqvarna AB
Adresa výrobce : SE561 82 HUSKVARNA ŠVÉDSKO

Osoba odpovědná za shromáždění technických záznamů stanovených v rámci EU

Jméno, příjmení : Husqvarna AB
Adresa : SE561 82 HUSKVARNA ŠVÉDSKO

Osoba odpovědná osoba za toto prohlášení

Jméno, příjmení : John Thompson
Pozice/titul : Produktový a marketingový ředitel, spotřebitelská divize EUAP
Místo : Husqvarna UK Ltd, Preston Road
Aycliffe Industrial Park. Newton Aycliffe
Co.Durham,DL5 6UP
Datum : 15. listopadu 2016

(razítko společnosti a podpis statutárního zástupce)

Vær særligt opmærksom på afsnit, der er markeret på følgende måde:



FARE: Dette indikerer en stor risiko for alvorlige eller dødelige skader hvis instruktion ikke følges.

ADVARSEL: Dette angiver, at der er risiko for personskader eller beskadigelse af udstyret, hvis instruktionerne ikke overholdes.

BEMÆRK: Dette indikerer nyttige oplysninger.



Dette symbol minder brugeren om at passe på med bestemte handlinger.

Hvis du har problemer eller spørgsmål om fræseren, bedes du kontakte din godkendte leverandør.



FARE: Maskinen er beregnet til sikker og pålidelig service, hvis anvendt som beskrevet. Før brug af din maskine skal du sørge for, at du har forstået indholdet i denne vejledning. Ellers kan du komme til skade, og udstyret kan blive beskadiget.

Uddannelse / Information

Sæt dig ind i den korrekte anvendelse og styrefunktionerne, inden maskinen tages i brug. Lær, hvordan du stopper motoren hurtigt.

Maskinen skal altid bruges i henhold til anbefalingerne i brugervejledningen.

Husk, at brugeren er ansvarlig for alle ulykker eller farlige reaktioner for andre personer eller deres ejendele. Det er brugerens ansvar at vurdere de potentielle risici ved den jord, der skal ryddes og at træffe alle nødvendige forholdsregler for at sikre, at det er sikkert, især på skrånninger og på løse, glatte eller ujævne underlag.

Lad aldrig børn eller personer, der ikke er bekendt med disse anvisninger, bruge maskinen. kan være lokal lovgivning, der fastsætter en minimumsalder for brugere.

Arbejd aldrig når der er personer, især børn eller dyr, inden for en radius af 20 meter af maskinen; brugeren skal forblive ved styrehåndtagene.

Brug ikke maskinen, hvis du har taget medicin eller andre stoffer, som kan nedsætte din reaktionssevne eller gøre dig døsig.

Vær særlig opmærksom på hård jord, da maskinen der har en tendens til at være meget mindre stabil end på opdyrket jord.

Brug altid robust og skridsikkert fodtøj og tætsiddende lange bukser under arbejdet. Brug ikke maskinen med bare fødder eller sandaler. Høreværn anbefales.

Brug kun maskinen til det formål, den er beregnet til, nemlig at grave jord. Enhver anden anvendelse kan være farlig eller forårsage skade på maskinen.

Klargøring

Undersøg omhyggeligt det område, hvor maskinen skal bruges, og fjern alle genstande, der kan blive slynget ud af maskinen (sten, kabler, glas, metalgenstande ...).

Før brug skal du altid kontrollere maskinen for at sikre, at værktøjet ikke er slidt eller beskadiget. Slidte eller beskadigede dele skal udskiftes.

Vedligehold de elektriske kabler, der standser motoren, så du kan være sikker på at kunne slukke motoren.

Kontrollér, at der ikke lækker benzin eller olie.

Brug ikke maskinen uden dens beskyttende kabinetter og sørg for, at alle beslag er spændt.

Brug

Transporter aldrig personer på maskinen.

Vær forsigtig ved start af motoren. Følg producentens anvisninger, og hold dine fødder væk fra kniven(e).

Stop motoren, når maskinen ikke er i brug.

Når du holder maskinen, skal du gå og ikke løbe.

Vær yderst forsigtig, når du trækker maskinen mod dig eller vender omdrejningsretning (hvis ønsket).

Hold sikker afstand til de roterende knive, der er angivet af længden på ratstammen.

Sæt ikke hænder eller fødder tæt ved eller under roterende dele.

Hvis der er:

- unormale vibrationer,
- en blokering,
- et problem med tilkobling eller frakobling af koblingen,
- et sammenstød med et fremmedlegeme,
- forringelse af motorens stopkabel.

Stands motoren med det samme (hvis motorens stopkabel er skåret over, så brug starterstyring som beskrevet i afsnittet "Start motoren" for at stoppe motoren), lad maskinen køle af, frakobl tændrørsledningen og efterse maskinen. Få de nødvendige reparationer udført af en godkendt reparatør før brug igen.

Arbejd kun i dagslys eller i god kunstig belysning.

Brug ikke maskinen på skrånninger, der hælder mere end 20°.

Arbejd på tværs af skrånninger, ikke op eller ned af dem.

Sørg for at stå godt fast på skrånende terræn, og skift retning meget omhyggeligt.

Brug af andet tilbehør end det anbefalede kan medføre, at maskinen bliver farlig, og det kan forårsage skade på maskinen, som ikke bliver dækket af garantien.

Vedligeholdelse/opbevaring

Stop motoren, og frakobl tændrøret før rengøring, kontrol, justering eller vedligeholdelse af maskinen eller udskiftning af værktøj(er).

Stands motoren, frakobl tændrøret og brug tykke handsker ved udskiftning af værktøj(er).

Sørg for, at alle møtrikker og bolte er spændt for at sikre sikker brug.

For at mindske brandfare skal du holde motoren, lyddæmperen og brændstofområdet fri for planter, spildolie eller andre brændbare materialer.

Hvis lyddæmperen er defekt, skal den udskiftes af en autoriseret reparatør.

Undlad at reparere dele. Udskift dem med producentens egne reservedele.

Udskift knivene i hele sæt for at holde dem afbalanceret.

Af hensyn til din egen sikkerhed må du ikke ændre egenskaberne for din maskine. Du må ikke ændre motorhastighedsindstillingerne, og du må ikke køre motoren ved for høj hastighed. Regelmæssig vedligeholdelse er afgørende for sikkerheden og for at opretholde ydeevnen.

Lad motoren køle af, før maskinen stilles væk.

Fare / Benzin er meget brandfarligt!

Opbevar brændstof i beholdere, der er specielt designet til det. Fyld altid tanken udendørs, og ryg ikke, mens du gør det.

Skrub ikke tankdækslet af eller fyld op med brændstof, mens motoren kører eller stadig er varm.

Hvis der spildes benzin på jorden, skal du ikke forsøge at starte motoren; bær maskinen et andet sted hen, og undgå al åben ild, indtil benzindampene er forsvundet.

Opbevar maskinen på et tørt sted. Opbevar ikke maskinen i en bygning, hvor benzindamp kan nå åben ild, gnister eller kilde med intens varme.

Udskift dækslerne til brændstofftanken og benzindunken korrekt.

Begræns mængden af benzin i tanken for at reducere spild.

Start ikke motoren i lukkede rum, hvor kulilte damp kan samle sig.

Kulilte kan være livstruende. Sørg for god ventilation.

Flytning, håndtering af transport

Alle handlinger på maskinen, bortset fra gravning, skal udføres med motoren standset.

Undtagen ved (gravning) skal maskinen flyttes ved hjælp af transporthjulet som beskrevet i kapitlet "Flytning".

Håndtering: prøv ikke at løfte maskinen. Maskinens vægt er angivet på fabrikationsskiltet i slutningen af denne vejledning. Brug en metode til håndtering, der er tilpasset til maskinens vægt og til situationen for at garantere sikkerheden.

Ved på- eller aflæsning af maskinen til eller fra en anhænger, skal der bruges en passende rampe. Sur maskinen korrekt fast for sikker transport.

Maskinen skal transporteres på en anhænger; brug ikke nogen anden transportform.

EN

BG

HR

CZ

DA

NL

ET

FI

FR

DE

GR

HU

IT

LV

LT

NO

PL

PT

RO

RU

SK

SL

ES

SE

TR

UK

DEFINITION AF PIKTOGRAMMER



ADVARSEL
Fare



ADVARSEL
Hold sikker afstand



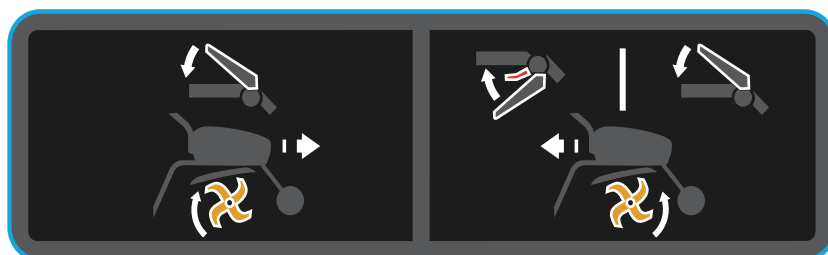
ADVARSEL
Roterende værktøjer



ADVARSEL
Se brugervejledningen og
frakobl tændrøret, inden
der udføres arbejde.



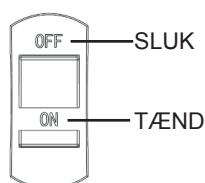
ADVARSEL
Læs brugervejledningen



FREMAD

BAGLÆNS

Stopkontakt



SLUK

TÆND



Garanteret
støjniveau



Høreværn skal bruges.

TEKNISK INFORMATION

Model	MFT85 210R	Nominal power hp (kW) @ rpm	4,8 (3,6) ved 3100
Fræsningsbredde (mm)	780	Gear	-1,0,1
Fræsningsdybde (mm)	100-200	Gearkasseolie	Fedt
Motortype	McCulloch 210 (WM170F-2/P)	Bruttovægt (kg)	65,0
Brændstoffer	Benzin	Nettovægt (kg)	60,0
Brændstoftankens kapacitet (l)	3,60	Emballagestørrelse (mm)	780 x 500 x 660
Oliekapacitet, (l)	0,35	Certificering	CE, EAC
Slagvolumen	212 ccm	Garanteret lydtryk-niveau	2 dB(A)
Lydtryksniveau	78 dB(A)	Vibrationsusikkerhed	2%
Lydeffektniveau	98 dB(A)	Værdi for håndtagsvibration	Venstre håndtag: 7,2 mm/s ² Højre håndtag: 7,4 mm/s ²
Støjusikkerhed	2 dB(A)		

UDPAKNING / SAMLING

Bemærk: Med ønsket om konstant forbedring af produkterne fremfører producenten, at hele denne vejledning ikke er bundet af en kontrakt og forbeholder sig ret til at ændre i specifikationerne for maskinerne uden varsel.

Udpakning 1.1

ADVARSEL:
Pas på ikke at skære kablerne eller ridse maskinens lak ved skæring langs kanterne på kassen.

Ref.	Kassens indhold
A	Motoren
B	Modstandsstang
C	Forhjul
D	Standerrør
E	Gelænderdæksel
F	Greb
G	Kabelskjuler
H	Primær kniv, højre
I	Primær kniv, venstre
J	Skinne
K	Knivskærm
L	Værktøjsholder
M	Planteværn
N	Underkniv-1, venstre
O	Underkniv-1, højre
P	Underkniv-2, venstre
Q	Underkniv-2, højre

Montering 1.2

ADVARSEL:
Forkert montering af denne roterende fræser kan forårsage alvorlige personskader. Sørg for at overholde alle instruktionerne grundigt.

- 1 Montering af knivskærm.
- 2 Montering af første knivgruppe.
Sørg for, at skarpe kanter vender samme vej.
- 3 Montering af modstandsstangen.
- 4 Montering af forhjulet.
- 5 Montering af standerrøret.
- 6 Montering af skinnen.
- 7 Montering af gelænderdæksel.
- 8 Montering af kabelskjuleren.
- 9 Montering af anden knivgruppe - højre.
- 10 Montering af anden knivgruppe - venstre.
- 11 12 Montering af tredje knivgruppe - venstre og højre.
- 13 14 Montering af planteværn.

Advarsel:
Efter montering af maskinen spændes alle bolte og skruer moderat: spænd ikke for hårdt.
Bemærk: Enhver demontering må kun udføres af et godkendt værksted.

Beskrivelse af komponenter 1.3

- 1 - Motor
- 2 - Koblingshåndtag
- 3 - Gelænderdæksel
- 4 - On/off-kontakt
- 5 - Planteværn
- 6 - Gashåndtag
- 7 - Håndtagssæt
- 8 - Håndtagsskift
- 9 - Kniv
- 10 - Modstandsstang
- 11 - Forhjul

Maskinens identifikationsplade 1.4

Transporthjul 1.5

A = arbejdsposition.
B = transportposition.

START MASKINEN

2.1 Fyld med motorolie og kontroller niveauet

2.2 Efterfyldning af benzin

2.3 Indsprøjtning af olie til identificeret position

2.4 Åbn benzinkontakten

2.5 Sæt chokeren i position A

2.6 Gashåndtag
Sæt håndtaget i: **H**

2.7 Indstil on/off-kontakten på "on"

2.8 Træk i snorestart-håndtaget

2.9 Sæt chokeren i position B

Advarsel:
Når maskinen starter, skal du blive inden for sikkerhedszonen.

EN

BG

HR

CZ

DA

NL

ET

FI

FR

DE

GR

HU

IT

LV

LT

NO

PL

PT

RO

RU

SK

SL

ES

SE

TR

UK

BRUG

EN

BG

HR

CZ

DA

NL

ET

FI

FR

DE

GR

HU

IT

LV

LT

NO

PL

PT

RO

RU

SK

SL

ES

SE

TR

UK



3.1

Fremad

1. Lad bak-koblingen være, som den er.

2-A. Åbn koblingshåndtaget.

2-B. Tryk koblingshåndtaget ned



Oprethold en sikkerhedszone på 20 m i radius omkring maskinen.



3.2

Baglæns

1-A. Skift den røde bakkontakt

1-B. Tryk på bakhåndtaget

2-A. Åbn koblingshåndtaget.

2-B. Tryk koblingshåndtaget ned



Oprethold en sikkerhedszone på 20 m i radius omkring maskinen.



Brugen af bakkfunktion er farligt. Sørg for, at der ikke er nogen forhindringer bag dig, og reducer motoromdrejningerne før aktivring af koblingen.

STOP



4.1

Standstning af roterende værktøjer

Slip koblingsarmen.



4.3

Standstning af motoren

Indstil on/off-kontakten på OFF.



4.5

Luk brændstofhanen



4.2

Reducer gassen

Indstil gashåndtaget til:



4.4

Sæt chokeren i position A

VEDLIGEHOLDELSESTABEL

Daglig kontrol

Før du starter motoren, kontrolleres følgende punkter.

- Der må ikke være løse eller ødelagte møtrikker eller bolte.



4.5

- Renhed for luftfilterelementet



Brug ikke brændbare opløsningsmidler til rengøring af skumluftfilterelementet.



2.1

- Kontroller smøreoliestanden

- Ingen lækager af benzin eller smøreolie.



2.2

- Tilstrækkelig benzin

- Hold maskinen ren.

- Beskyttelse af miljøet.

- Ingen unormale vibrationer eller overdreven støj.

Efter de første 20 driftstimer eller hver måned

- Skift smøreolie på motoren og gearkassen.

For hver 50 driftstimer eller hver 3. måned

- Rens luftfilteret* (2 fig. 4.5).

For hver 100 driftstimer eller hver 6. måned

- Rengør filteret.
- Skift smøreolie på motoren og gearkassen.
- Rens tændrøret.
- Rens tændrørsskærmen.

For hver 300 driftstimer eller en gang om året

- Udskift luftfilteret*.
- Kontroller slør i ventilen**.
- Udskift tændrøret
- Rens brændstoffilteret**.
- Rens forbrændingskammeret**.
- Sæt i tomgang**.
- Kontroller brændstofkredsløbet**.

*Rengør oftere, hvor der er støv eller snavs i luften.

**Ikke afgørende undtagen i tilfælde af problemer med ydeevnen (skal udføres af et godkendt værksted).



Flytning



Stop motoren.

A Sæt hjulet i bevægelsesposition.

B Sæt håndtagene i lav position for at flytte maskinen.

C Løft knivene fra jorden vha. håndtagene og derefter fremad.

EN

BG

HR

CZ

DA

NL

ET

FI

FR

DE

GR

HU

IT

LV

LT

NO

PL

PT

RO

RU

SK

SL

ES

SE

TR

UK

- EN
- BG
- HR
- CZ
- DA**
- NL
- ET
- FI
- FR
- DE
- GR
- HU
- IT
- LV
- LT
- NO
- PL
- PT
- RO
- RU
- SK
- SL
- ES
- SE
- TR
- UK

CE EU-OVERENSSTEMMELSESERKLÆRING CE

For følgende maskiner

Produkt navn: Motorhakke
handelsnavn: N/A
funktion: Motorhakke-type (uden trækkende hjul) Benzin
modelnr.: MFT85 210R
serienr.: 16H190570

bekræftes hermed at opfylde de relevante bestemmelser i
maskindirektivet (2006/42/EF)

og følgende harmoniserede standard er overholdt

EN 709: 1997 + A4: 2009
EN 709: 1997 + A4/AC:2012

bekræftes hermed at opfylde de relevante bestemmelser i
Direktiv om elektromagnetisk kompatibilitet (2014/30/EU)

og følgende harmoniserede standard er overholdt:

EN ISO 14982: 2009

Ansvarlig for denne erklæring er

Producentens navn : Husqvarna AB
Producentens adresse : SE561 82 HUSKVARNA SVERIGE

Person, der er ansvarlig for at udarbejde det tekniske dossier inden for EU

Navn, efternavn : Husqvarna AB
Adresse : SE561 82 HUSKVARNA SVERIGE

Personen med bemyndigelse til at afgive denne erklæring

Navn, efternavn : John Thompson
Stilling/Titel : Product & Marketing Director, Consumer Division EUAP
Sted : Husqvarna UK Ltd, Preston Road
Aycliffe Industrial Park. Newton Aycliffe
Co.Durham,DL5 6UP
Dato : 15. november 2016



(Firmastempel og juridisk underskrift)

Let in het bijzonder op de secties met de volgende aanduidingen:



GEVAAR: Dit duidt op een grote kans op ernstig of zelfs dodelijk letsel als de instructies niet worden opgevolgd.

WAARSCHUWING: Dit duidt op een gevaar van letsel of schade aan de apparatuur als de instructies niet worden opgevolgd.

OPMERKING: Dit duidt op nuttige informatie.



Dit symbool herinnert u eraan dat u voorzichtig te werk moet gaan bij bepaalde activiteiten.

Neem contact op met uw erkende leverancier als u problemen of vragen over de cultivator heeft.



GEVAAR: De machine is ontworpen voor een veilige en betrouwbare werking, als de machine wordt gebruikt volgens de instructies. Zorg ervoor dat u vóór het gebruik van de machine de inhoud van deze handleiding hebt begrepen. Anders kunt u gewond raken en kan uw apparatuur beschadigd raken.

Training / Informatie

Maak uzelf vertrouwd met het correcte gebruik en de bedieningselementen voordat u de machine gebruikt. Zorg dat u weet hoe de motor snel kan worden stopgezet.

De machine moet altijd worden gebruikt in overeenstemming met de aanbevelingen in de handleiding.

Vergeet niet dat de gebruiker verantwoordelijk is voor ongevallen of gevaarlijke reacties die zich bij andere personen of hun eigendommen kunnen voordoen. Het is de verantwoordelijkheid van de gebruiker om de mogelijke risico's te beoordelen van de grond die moet worden verplaatst, en om alle nodige voorzorgsmaatregelen te treffen om er zeker van te zijn dat de grond veilig is, vooral op hellingen en op losse, gladde of ongelijke grond.

Laat kinderen of personen die deze handleiding niet kennen, de machine niet gebruiken. Er kan lokale wetgeving van toepassing zijn waarin een minimumleeftijd is voorgeschreven voor gebruikers.

Gebruik de machine nooit wanneer er zich personen, en met name kinderen of dieren, in een straal van 20 meter rondom de machine bevinden; de gebruiker moet de hendels blijven bedienen.

Gebruik de machine niet als u geneesmiddelen of andere stoffen heeft genomen die uw reacties zouden kunnen vertragen of die u slaperig zouden kunnen maken.

Let vooral op bij harde grond, omdat de machine dan gewoonlijk veel minder stabiel is dan op bewerkte grond.

Draag altijd stevige antislipschoenen en een strakke lange broek tijdens de werkzaamheden. Gebruik de machine niet blootvoets of als u sandalen draagt. Gehoorbescherming wordt aanbevolen.

Gebruik de machine voor het doel waarvoor deze is ontworpen - graven in de grond. Andere vormen van gebruik kunnen gevaarlijk zijn of schade veroorzaken aan de machine.

Vorbereitung

Inspecteer zorgvuldig de zone waar de machine zal worden gebruikt en verwijder alle voorwerpen die misschien kunnen worden weggeslingerd door de machine (stenen, kabels, glas, metalen voorwerpen ...).

Controleer vóór het gebruik altijd de machine, om er zeker van te zijn dat de gereedschappen niet versleten of beschadigd zijn. Vervang versleten of beschadigde onderdelen.

Zorg ervoor dat de elektrische kabels waarmee de motor wordt gestopt in goede staat blijven, zodat u er zeker van bent dat de motor kan worden uitgeschakeld.

Controleer of er geen benzine- of olie lekkage is.

Gebruik de machine niet zonder de beschermkappen, en controleer of alle verbindingen vastzitten.

Gebruik

Vervoer nooit personen op de machine.

Let op wanneer u de motor start. Volg de aanwijzingen van de fabrikant en houd uw voeten weg van het mes of de messen.

Stop de motor als de machine niet wordt gebruikt.

Loop langzaam met de machine, loop er niet hard mee.

Wees uiterst voorzichtig wanneer u de machine naar u toe trekt of wanneer u de draairichting omkeert (indien gewenst).

Houd een veilige afstand tot de draaiende messen, die bepaald wordt door de lengte van de stuurkolom.

Plaats uw handen of voeten niet in de buurt van of onder draaiende onderdelen.

In geval van:

- abnormale trilling,
- een verstopping,
- een probleem bij het in- of uitschakelen van de koppeling,
- een botsing met een vreemd voorwerp,
- slijtage van de kabel voor het stoppen van de motor.

moet de motor onmiddellijk worden stopgezet (als de kabel voor het stoppen van de motor is doorgesneden, gebruikt u de starthendel, zoals is beschreven in de paragraaf "Motor starten", om de motor te stoppen. Laat de machine afkoelen, trek de bougiekabel eruit, inspecteer de machine en laat de nodige reparaties uitvoeren door een erkende reparateur voordat u de machine opnieuw gebruikt.

Werk alleen bij daglicht of goed kunstlicht.

Gebruik de machine niet op hellingen die steiler zijn dan 20°.

Werk dwars op hellingen, en niet omhoog of omlaag.

Zorg dat u stevig staat op hellende grond, en verander zeer voorzichtig van richting.

Als u accessoires gebruikt die niet zijn aanbevolen voor de machine, levert de machine mogelijk gevaar op en kan schade aan de machine optreden die niet wordt gedekt door uw garantie.

Onderhoud / opslag

Stop de motor en koppel de bougie los voordat u de machine reinigt, inspecteert, afstelt of onderhoudt of voordat u het gereedschap of de gereedschappen vervangt.

Stop de motor, koppel de bougie los en gebruik dikke handschoenen bij het vervangen van een of meerdere gereedschappen.

Zorg ervoor dat alle moeren en bouten goed vastgedraaid blijven, om zeker te zijn van veilige gebruiksomstandigheden.

Houd de motor, de demper en de brandstofopslagruimte vrij van planten, afgewerkte olie of ander brandbaar materiaal, om brandgevaar te beperken.

Laat de uitlaatdemper als deze defect is, vervangen door een erkende reparateur.

Repareer geen onderdelen; vervang ze door de reserveonderdelen van de fabrikant.

Vervang de messen in volledige sets om ze in evenwicht te houden.

Breng voor uw eigen veiligheid geen wijzigingen aan de kenmerken van uw machine aan. Wijzig de toerentalinstellingen van de motor niet en laat de motor niet op te hoge toerentallen draaien. Regelmatig onderhoud is essentieel voor de veiligheid en om het prestatieniveau te handhaven.

Laat de motor afkoelen voordat u de machine opbergt.

Gevaar! Benzine is zeer licht ontvlambaar!

Bewaar brandstof in speciaal ontworpen tanks. Vul de tank altijd buiten en rook niet tijdens het vullen van de tank.

Schroef de dop van de brandstoftank niet los of vul geen benzine bij terwijl de motor draait of nog warm is.

Probeer de machine niet te starten als er benzine op de grond is gemorst. Breng de machine naar een andere plek en vermijd open vuur tot de benzinedamp is vervluchtigd.

Bewaar de machine op een droge plaats. Bewaar de machine nooit in een gebouw waar de benzinedamp een vlam, een vonk of een bron van intense hitte kan bereiken.

Breng de doppen van de brandstoftank en de jerrycan weer correct aan.

Giet geen grote hoeveelheden brandstof in de tank, om morsen te beperken.

Laat de motor niet draaien in afgesloten ruimtes waar zich koolstofmonoxidestof kan verzamelen.

Koolstofmonoxide kan dodelijk zijn. Zorg voor goede ventilatie.

Verplaatsing, hantering, vervoer

Behalve tijdens het graven in de grond moet elke handeling op de machine worden uitgevoerd terwijl de motor is stopgezet.

Behalve tijdens het graven in de grond moet de machine worden verplaatst met het transportwiel, zoals is beschreven in het hoofdstuk "Verplaatsing".

Hantering: probeer de machine niet op te tillen. Het gewicht van de machine is aangegeven op het plaatje van de fabrikant, aan het einde van deze handleiding. Volg bij de hantering een methode die is aangepast aan het gewicht van de machine en aan de situatie, om de veiligheid te garanderen.

Gebruik een geschikte oprijplaat wanneer u de machine op een trailer laadt of van een trailer afaadt. Sij de machine correct vast voor een veilig transport.

De machine moet worden vervoerd op een trailer; gebruik geen ander vervoermiddel.

EN

BG

HR

CZ

DA

NL

ET

FI

FR

DE

GR

HU

IT

LV

LT

NO

PL

PT

RO

RU

SK

SL

ES

SE

TR

UK

DEFINITIE VAN DE PICTOGRAMMEN

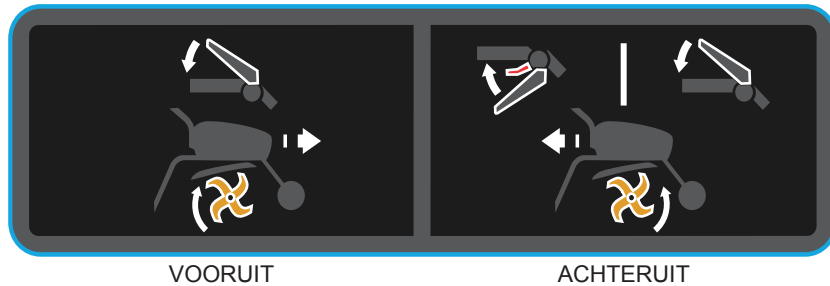
 **WAARSCHUWING**
Gevaar

 **WAARSCHUWING**
Houd een veilige afstand

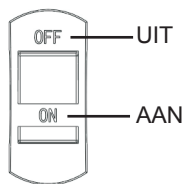
 **WAARSCHUWING**
Draaiende gereedschappen

 **WAARSCHUWING**
Raadpleeg de gebruikershandleiding en verwijder de bougie voor u werkzaamheden gaat uitvoeren.

 **WAARSCHUWING**
Lees de gebruikershandleiding



Stopschakelaar



Gegarandeerd geluidsvermogeniveau



Er moet gehoorbescherming worden gebruikt.

TECHNISCHE INFORMATIE

Model	MFT85 210R	Nominaal vermogen pk (kW) bij omw/min	4,8 - (3,6) bij 3100
Bewerkingsbreedte (mm)	780	Versnellingen	-1,0,1
Bewerkingsdiepte (mm)	100-200	Transmissieolie	Smeervet
Type motor	McCulloch 210 (WM170F-2/P)	Brutogewicht (kg)	65,0
Brandstof	Benzine	Nettogewicht (kg)	60,0
Inhoud brandstoftank (l)	3,60	Grootte verpakking (mm)	780x500x660
Oliecapaciteit (l)	0,35	Certificering	CE, EAC
Cilinderinhoud	212 cc	Gegarandeerd akoestisch geluidsniveau	2 dB(A)
Geluidsdruk niveau	78 dB(A)	Onzekerheidsmarge van trilling	2%
Geluidsvermogen-niveau	98 dB(A)	Hengeltrillingswaarde	Linkerhendel: 7,2 mm/s ² Rechterhendel: 7,4 mm/s ²
Onzekerheidsmarge van geluid	2 dB(A)		

UITPAKKEN / MONTAGE

Opmerking: Omdat de fabrikant zijn producten continu wil verbeteren, verklaart de fabrikant dat deze handleiding in haar geheel niet contractueel bindend is, en behoudt hij zich het recht voor om zonder kennisgeving de specificaties van zijn machines te wijzigen.

Uitpakken

1.1



WAARSCHUWING:

Let er bij het afsnijden van de randen van de verpakking op dat u de kabels niet doorsnijdt of geen krassen veroorzaakt op het lakwerk van de machine.

Ref.	Inhoud van de verpakking
A	Motoronderdeel
B	Weerstandsstang
C	Voorwiel
D	Standpijp
E	Handrailafdekking
F	Knop
G	Schoonmaakkap
H	Hoofdtand, rechts
I	Hoofdtand, links
J	Rail
K	Tandafdekking
L	Gereedschapstas
M	Plantbeschermer
N	Ondertand-1, links
O	Ondertand-1, rechts
P	Ondertand-2, links
Q	Ondertand-2, rechts



1.2

Montage



WAARSCHUWING:

Onjuiste montage van deze grondfrees kan leiden tot ernstig letsel. Zorg ervoor dat u alle instructies nauwkeurig opvolgt.

- 1** De tandafdekking monteren.
- 2** De eerste tandengroep monteren.
Zorg ervoor dat de scherpe randen naar één kant zijn gericht.
- 3** De weerstandsstang monteren.
- 4** Het voorwiel monteren.
- 5** De standpijp monteren.
- 6** De rail monteren.
- 7** De handrailafdekking monteren.
- 8** De schoonmaakkap monteren.
- 9** De tweede tandengroep monteren - rechts.
- 10** De tweede tandengroep monteren - links.
- 11 12** De derde tandgroep monteren - links en rechts.
- 13 14** De plantbeschermer monteren.



Waarschuwing:

Draai alle bouten en schroeven met mate vast nadat de machine volledig is gemonteerd: draai ze niet te vast aan.

Opmerking: Alle demontagewerkzaamheden mogen alleen worden uitgevoerd door een goedgekeurde werkplaats.



1.3

Beschrijving van de onderdelen

- 1 -Motor
- 2 -Koppelingshendel
- 3 -Handrailafdekking
- 4 -AAN/UIT-schakelaar
- 5 -Plantbeschermer
- 6 -Gashendel
- 7 -Hendelset
- 8 -Schakelhendel
- 9 -Tand
- 10 -Weerstandsstang
- 11 -Voorwiel



1.4

Machine-identificatieplaat



1.5

Transportwiel

A = werkstand.
B = transportstand.

MACHINE STARTEN



2.1

Vullen met motorolie en het peil controleren



2.2

Benzine bijvullen



2.3

Olie inspuiten tot het aangegeven niveau



2.4

Open de benzineschakelaar



2.5

Zet de choke in stand A



2.6

Gashendel

Zet de hendel op: **H**



2.7

Zet de aan/uitschakelaar op "aan"



2.8

Trek aan de hendel van het startkoord



2.9

Zet de choke in stand B



Waarschuwing:

Blijf na het starten van de machine in de veiligheidszone.

EN

BG

HR

CZ

DA

NL

ET

FI

FR

DE

GR

HU

IT

LV

LT

NO

PL

PT

RO

RU

SK

SL

ES

SE

TR

UK

GEBRUIK



Vooruit

3.1

1. Laat de keerkoppeling in dezelfde stand.
- 2-A. Ontgrendel de koppelingshendel.
- 2-B. Druk de koppelingshendel in



Handhaaf een veiligheidszone met een straal van 20 m rondom de machine.



Achteruit

3.2

- 1-A. Rode toggle-keerschakelaar
- 1-B. Druk de keershendel samen
- 2-A. Ontgrendel de koppelingshendel.
- 2-B. Druk de koppelingshendel in



Handhaaf een veiligheidszone met een straal van 20 m rondom de machine.



Het gebruik van de achteruit is gevaarlijk. Controleer of er zich geen obstakels achter u bevinden en verlaag het toerental van de motor voordat u de koppeling inschakelt.

STOPPEN



De draaiende gereedschappen stoppen

4.1

Laat de koppelingshendel los.



Neem gas terug

4.2

Zet de gashendel op:



De motor stoppen

4.3

Zet de aan/uit-schakelaar op UIT.



Zet de choke in stand A

4.4



Sluit het brandstofkraantje

4.5

ONDERHOUDSTABEL

Dagelijkse controle

Controleer voordat u de motor start de volgende punten.

- Er mogen geen bouten loszitten of afgebroken zijn.



4.5

Reinheid van het luchtfilterelement



Gebruik geen brandbaar oplosmiddel voor de reiniging van het schuimluchtfilterelement.



2.1

Smeeroliepeil controleren

- Geen benzine- of smeeroiliekkage.



2.2

Voldoende benzine

- Houd de machine schoon.

- Bescherming van de omgeving.

- Geen abnormale trillingen of teveel lawaai.

Na de eerste 20 uren of elke maand

- Smeerolie van de motor en de versnellingsbak verversen.

Om de 50 uren of om de 3 maanden

- Luchtfilter reinigen* (2 Afb. 4.5).

Om de 100 uren of om de 6 maanden

- Filter reinigen.
- Smeerolie van de motor en de versnellingsbak verversen.
- Bougie reinigen.
- Bougieaafscherming reinigen.

Om de 300 uren of eenmaal per jaar

- Luchtfilter vervangen*.
- Speling in de klep controleren**.
- Bougie vervangen.
- Brandstoffilter reinigen**.
- Verbrandingskamer reinigen**.
- Stationair toerental instellen**.
- Brandstofcircuit controleren**.

* Vaker reinigen bij gebruik in stoffige lucht of in lucht met zwevende afvaldeeltjes.

** Niet essentieel, behalve in geval van prestatieproblemen (moet worden uitgevoerd door een goedgekeurde werkplaats).

EN

BG

HR

CZ

DA

NL

ET

FI

FR

DE

GR

HU

IT

LV

LT

NO

PL

PT

RO

RU

SK

SL

ES

SE

TR

UK



Verplaatsen



Stop de motor.

A Zet het wiel in de bewegingsstand.

B Zet de handgrepen in de lage stand om de machine gemakkelijk te kunnen verplaatsen.

C Til de messen op van de grond met de handgrepen en beweeg vervolgens voorwaarts.

EN

BG

HR

CZ

DA

NL

ET

FI

FR

DE

GR

HU

IT

LV

LT

NO

PL

PT

RO

RU

SK

SL

ES

SE

TR

UK

- EN
- BG
- HR
- CZ
- DA
- NL**
- ET
- FI
- FR
- DE
- GR
- HU
- IT
- LV
- LT
- NO
- PL
- PT
- RO
- RU
- SK
- SL
- ES
- SE
- TR
- UK



EG-CONFORMITEITSVERKLARING



Voor de volgende machine

Productnaam: motorhak
Handelsnaam: n.v.t.
Functie: motorhak (zonder aangedreven wielen)
Type: Benzine
Modelnr.: MFT85 210R
Serienr.: 16H190570

wordt hiermede bevestigd dat deze machine voldoet aan alle relevante bepalingen van de
Machinerichtlijn (2006/42/EG)

en in overeenstemming is met de volgende geharmoniseerde normen

EN 709: 1997 + A4: 2009
EN 709: 1997 + A4/AC:2012

wordt hiermede bevestigd dat deze machine voldoet aan alle relevante bepalingen van de
Richtlijn inzake elektromagnetische compatibiliteit (2014/30/EU)

en in overeenstemming is met de volgende geharmoniseerde norm:

EN ISO 14982: 2009

Verantwoordelijk voor de markering van deze verklaring is

Naam fabrikant : Husqvarna AB
Adres fabrikant : SE561 82 HUSKVARNA ZWEDEN

Verantwoordelijke voor het opstellen van de technische dossiers binnen de EU

Naam, achternaam : Husqvarna AB
Adres : SE561 82 HUSKVARNA ZWEDEN

Verantwoordelijke voor het opstellen van deze verklaring

Naam, achternaam : John Thompson
Functie/titel : Product & Marketing Director, Consumer Division EUAP
Plaats : Husqvarna UK Ltd, Preston Road
Aycliffe Industrial Park. Newton Aycliffe
Co.Durham,DL5 6UP
Datum : 15 november 2016

(Bedrijfsstempel en rechtsgeldige handtekening)

Pöörake erilist tähelepanu järgmise märgistusega jaotistele.



OHT! See tähistab raskete või isegi surmaga lõppevate vigastuste suurt tõenäosust juhiste eiramise korral.

HOIATUS! See tähistab vigastuste või seadmekahjustuste ohtu, kui juhiseid ei järgita.

MÄRKUS. See näitab kasulikku teavet.



See sümbol tuletab meelde tähelepanelikkuse vajaduse teatud toimingute korral.

Kui teil on mullafreesiga seoses probleeme või küsimusi, pöörduge heakskiidetud tarnija poole.



OHT! Seade on juhiste järgimise korral ohutu ja töökindel. Enne kui hakkate seadet kasutama, veenduge, et olete selle juhendi sisust aru saanud. Vastasel juhul võite vigastada saada ja seadmed võivad kahjustuda.

Koolitus/teave

Enne seadme kasutamist tutvuge seadme õige kasutuse ja juhtseadistega. Õppige, kuidas mootorit kiiresti seisata.

Seadet tuleb alati kasutada vastavalt juhendis antud soovitudele.

Võtke arvesse, et kasutaja vastutab teiste inimeste või nende kuuluvate esemetega juhtunud õnnetuste või ohtlike olukordade eest. Seadme omanik vastutab selle eest, et maapinnal poleks takistusi, et tarvitusele oleks võetud kõik ohutusabinõud ohutuse tagamiseks eriti nõlvadel ja lahtisel, libedal või ebatasasel pinnal töötamise ajal.

Ärge kunagi lubage seadet kasutada lastel või isikutel, kes pole nende juhistega tutvunud. Võivad kehtida kohalikud seadused.

Ärge töötage kunagi, kui seadmest 20 meetri raadiuses on teisi inimesi, eriti lapsi või loomi. Kasutaja peab kindlasti jääma käepidemete juhtseadiste juurde.

Ärge kasutage seadet, kui olete tarvitanud ravimeid või muid aineid, mis võivad vähendada reaktsioonikiirust või tekitada unisust.

Pöörake erilist tähelepanu kõvale pinnasele, kuna seade kipub kõval pinnasel olema ebastabiilsem kui haritud pinnasel.

Kandke töötamise ajal alati vastupidavaid, mitte-libisevaid jalatseid ja pikki pükse. Ärge töötage seadmega paljajalu või sandaalides. Soovitatav on kasutada kuulmiskaitset.

Kasutage seadet ettenähtud ostarbel – maa kobestamiseks. Mis tahes muu kasutus võib olla ohtlik või kahjustada seadet.

Ettevalmistus tööks

Kontrollige hoolikalt ala, kus seadet kasutama hakatakse ja eemaldage kõik objektid, mis võivad takistada seadme tööd (kivid, traat, klaas, metallist esemed...).

Kontrollige seadet alati enne kasutamist, et veenduda, et tööseadised pole kulunud ega kahjustunud. Asendage kõik kulunud või kahjustunud osad.

Hooldage kõiki mootorit seiskavaid elektrijuhtmeid, et mootor kindlasti seiskuks.

Kontrollige, et ei oleks bensiini- või õlilekkeid.

Ärge kasutage kaitsekatteta seadet ja veenduge, et kõik kinnitused on kinni.

Kasutamine

Ärge vedage seadme peal inimesi.

Käivitage mootor vastavalt tootja juhistele ja hoidke jalgu terade eest.

Seisake mootor, kui seadet ei kasutata.

Seadmega töötades ärge jookske, vaid kõndige.

Olge hoolikas seadet enda poole tõmmates või pöörlemissuunda muutes (vajadusel).

Hoidke pöörlevatest teradest roolisamba pikkusega määratud ohutut vahekaugust.

Ärge pange käsi või jalgu pöörlevate osade lähedale või alla

- kui tekib ebaharilik vibratsioon;
- blokeerumise korral;
- kui tekib probleem siduri vajutamisel või vabastamisel;
- kokkupõrkel võõrkehaga;
- mootori seiskamisjuhtme kahjustuse korral.

Seisake mootor kohe (kui mootori seiskamisjuhe on kahjustunud, kasutage mootori seiskamiseks starterit vastavalt kirjeldusele peatükis „Mootori käivitamine“), laske seadmel maha jahtuda, lahutage süüteküünla juhe, kontrollige seadet ja enne seadme uuesti kasutamist laske heakskiidetud remonditöökojas teha seadmele vajalikud remonditööd.

Töötage ainult päevavalguses või hea kunstliku valgustusega.

Ärge kasutage seadet nõlvadel, mille kalle on üle 20°.

Töötage piki nõlva, mitte nõlvast üles või alla.

Seiske nõlvadel kindlalt maapinnal ja muutke suunda väga ettevaatlikult.

Teistsuguste kui soovitatud liseseadmete kasutamine võib muuta seadme ohtlikuks ja põhjustada seadmekahjustusi, mida garantii ei kata.

Hoolitus/hoiustamine

Seisake mootor ja lahutage süüteküünal enne seadme puhastamist, kontrollimist, reguleerimist või hooldustööd või tööriista(de) vahetamist.

Seisake mootor, lahutage süüteküünal ja kasutage tööseadiste vahetamisel pakse kindaid.

Ohutute töötingimuste tagamiseks peavad kõik mutrid ja poldid olema korralikult kinni keeratud.

Tulekahjuohu vältimiseks ärge hoidke mootori, summuti ja kütuse hoiukoha läheduses kuivanud taimi, kasutatud õli ega muid kergesti süttivaid materjale.

Kui summuti on kahjustatud, laske see asendada heakskiidetud remonditöökojas.

Ärge parandage osi, asendage need tootja varuosadega.

Asendage lõiketerade täiskomplekt nende tasakaalus hoidmiseks.

Enda ohutuse huvides ärge muutke seadme karakteristikuid. Ärge muutke mootori kiiruseseadeid ja ärge käitage mootorit üleliigsel kiirusel. Regulaarne hooldus on oluline ohutuse tagamiseks ja jõudlustaseme säilitamiseks.

Laske enne seadme hoiustamist mootoril jahtuda.

Oht! Bensiin on väga tuleohtlik!

Hoidke kütust selleks ettenähtud nõudes. Täitke paak alati väljas ja ärge suitsetage seda tehes.

Ärge keerake lahti kütuse täiteava korki ega lisage bensiini, kui mootor töötab või on veel kuum.

Ärge käivitage mootorit, kui bensiin on maapinnale valgunud. Viige seade majale ja vältige lahtist tuld, kuni bensiinaurud on hajunud.

Paigutage seade kuiva kohta. Ärge hoidke seadet kunagi ehitises, kus bensiinaurud võivad ulatuda leekide, sädemete või suure kuumuseallikani.

Keerake kütusepaagi ja bensiinkanistri korgid korralikult kinni.

Mahavalgumise vältimiseks piirake kütuse hulka paagis.

Ärge käitage mootorit piiratud aladel, kuhu võivad koguneda vingugaasiaurud.

Vingugaas võib olla surmav. Tagage korralik ventilatsioon.

Teisaldamine, transportimine

Kõiki toiminguid peale maapinna kobestamise tuleb teha seisatud mootoriga,

välja arvatud juhul, kui seadet tuleb teisaldada transpordirastete abil vastavalt peatükis „Teisaldamine“ kirjeldatule.

Käsitsemine: ärge püüdke seadet tõsta. Seadme mass on esitatud tootja tüübisildil selle juhendi lõpus. Kasutage seadme massile kohandatud käsitsemismeetodit ja olukorras, mis tagab ohutuse.

Seadme laadimisel järelhaagisele või sellelt maha kasutage sobivat kaldteed. Ohutu transportimise tagamiseks kinnitage seade.

Seadet tuleb transportida järelhaagisel. Ärge kasutage muid transpordiviise.

EN

BG

HR

CZ

DA

NL

ET

FI

FR

DE

GR

HU

IT

LV

LT

NO

PL

PT

RO

RU

SK

SL

ES

SE

TR

UK

EN

BG

HR

CZ

DA

NL

ET

FI

FR

DE

GR

HU

IT

LV

LT

NO

PL

PT

RO

RU

SK

SL

ES

SE

TR

UK

PIKTOGRAMMIDE SELGITUS



HOIATUS
Oht



HOIATUS
Hoidke ohutut kaugust



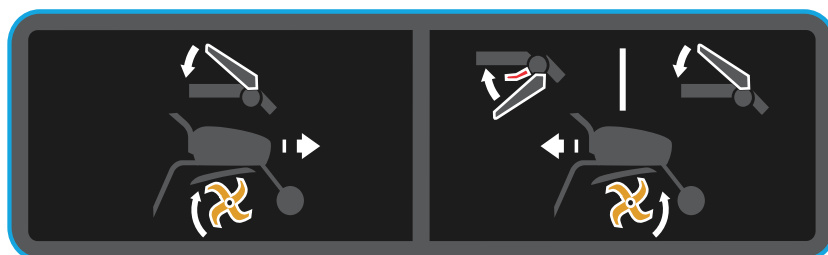
HOIATUS
Pöörlevad tööseadised



HOIATUS
Lugege kasutusjuhendit ja eemaldage süüteküünlal enne mis tahes hoolduse või remondi alustamist



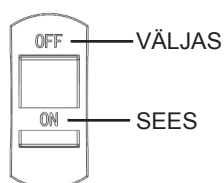
HOIATUS
Lugege kasutusjuhendit



EDASI

TAGASI

Seiskamislüliti



Garanteeritud helivõimsuse tase



Kasutada tuleb kuulmiskaitset.

TEHNILINE TEAVE

Mudel	MFT85 210R	Nimivõimsus hj (kW) p/min	4,8 (3,6) 3100 p/min
Kobestuslaius (mm)	780	Käigud	-1, 0, 1
Kobestussügavus (mm)	100–200	Transmissiooniõli	Määre
Mootori tüüp	McCulloch 210 (WM170F-2/P)	Brutomass (kg)	65,0
Kütus	Bensiin	Netomass (kg)	60,0
Kütusepaagi maht (l)	3,60	Pakendi suurus (mm)	780×500×660
Õli mahutavus (l)	0,35	Sertifitseerimine	CE, EAC
Kubatuur	212 cm ³	Garanteeritud helirõhutase	2 dB(A)
Helirõhutase	78 dB(A)	Vibratsioonitaseme määramatus	2%
Helivõimsuse tase	98 dB(A)	Vibratsioonitaseme kontrollimine	Vasak käepide: 7,2 mm/s ² Parem käepide: 7,4 mm/s ²
Mürataseme määramatus	2 dB(A)		

LAHTIPAKKIMINE/KOKKUPANEK

NB! Täiustame pidevalt oma tooteid ja seetõttu teatab tootja, et kogu selle juhendi sisu pole siduv ja jätab endale õiguse muuta ette teatamata selle seadme tehnilisi andmeid.



Lahtipakkimine



HOIATUS!
Karbi servi lõigates jälgige, et te ei lõika katki juhtmeid ega kraabi maha seadme värvi.

Viide	Karbi sisu
A	Mootori osa
B	Tõkkevarras
C	Esiratas
D	Püsttoru
E	Käepideme kate
F	Nupp
G	Puhas kate
H	Põhipii, parem
I	Põhipii, vasak
J	Juhik
K	Piikate
L	Tööriistatasku
M	Taimede kaitse
N	Abipii 1, vasak
O	Abipii 1, parem
P	Abipii 2, vasak
Q	Abipii 2, parem



Kokkupanek



HOIATUS!
Selle mullafreesi vale kokkupanek võib põhjustada raskeid kehavigastusi. Järgige hoollega kõiki juhiseid.

- 1 Pii kate paigaldamine
- 2 Esimese piiderühma paigaldamine
Veenduge, et teravad servad on ühele poole.
- 3 Tõkkevarda paigaldamine
- 4 Esiratta paigaldamine
- 5 Püsttoru paigaldamine
- 6 Juhiku paigaldamine
- 7 Käsipuu kate paigaldamine
- 8 Puhta kate paigaldamine
- 9 Teise piiderühma paigaldamine – parempoolne
- 10 Teise piiderühma paigaldamine – vasakpoolne
- 11 12 Kolmanda piiderühma paigaldamine – vasak- ja parempoolne.
- 13 14 Taimepiirde paigaldamine



Hoiatus!
Pärast seadme täielikku kokkupanekut pingutage kõik poldid ja mutrid mõõdukalt: ärge keerake neid liiga tugevasti kinni.

NB! Seadet tohib lahti võtta ainult heakskiidetud töökoda.



Osade kirjeldus

- 1 – Mootor
- 2 – Sidur
- 3 – Käepideme kate
- 4 – Käivituslüüti
- 5 – Taimede kaitse
- 6 – Gaasihoovastik
- 7 – Käepidemete komplekt
- 8 – Hoova nihutamine
- 9 – Pii
- 10 – Tõkkevarras
- 11 – Esiratas



Seadme teahaseandmete silt



Transpordiratas

A = tööasend.
B = transpordiasend.

SEADME KÄIVITAMINE



Mootoriõli lisamine ja taseme kontrollimine



Bensiini lisamine



Õli pritsimine ettenähtud kohta



Bensiinilüliti avamine



Viige õhuklapp asendisse A



Gaasihoovastik

Pange hoob **H** asendisse:



Seadke käivituslüüti asendisse ON (sees).



Tõmmake käivitusnööri



Viige õhuklapp asendisse B



Hoiatus!
Kui seade käivitub, jääge ohutusse kaugusesse

EN

BG

HR

CZ

DA

NL

ET

FI

FR

DE

GR

HU

IT

LV

LT

NO

PL

PT

RO

RU

SK

SL

ES

SE

TR

UK

KASUTAMINE



3.1

Edasi

1. Jätke tagasikäigusidur samasse asendisse.
- 2-A. Vabastage siduri käepide.
- 2-A. Vajutage siduri käepide alla.



Hoidke ohutusse kaugusesse 20 m raadiuses ümber seadme



3.2

Tagasikäik

- 1-A. Aktiveerige punane suunamuutuse lüliti
- 1-B. Vajutage tagasikäigu käepidet
- 2-A. Vabastage siduri käepide.
- 2-A. Vajutage siduri käepide alla.



Hoidke ohutusse kaugusesse 20 m raadiuses ümber seadme



Tagasikäigu kasutamine on ohtlik. Veenduge, et taga pole takistusi ja vähendage enne siduri kasutamist mootori pöördeid.

SEISKAMINE



4.1

Pöörlevate tööseadiste seiskamine

Vabastage sidurihoob.



4.3

Mootori seiskamine

Seadke käivituslülitit asendisse OFF (Väljas).



4.5

Kütusekraani sulgemine



4.2

Vähendage gaasi

Seadke gaasihoovastik asendisse:



4.4

Viige õhuklapp asendisse A

HOOLDUSTABEL

Igapäevane kontrollimine

Enne mootori käivitamist kontrollige järgmisi kohti.

- Seadmel ei tohi olla lahtisi või katkisi mutreid ega polte.



4.5

- Õhufiltrielemendi puhtus



Ärge kasutage vahtkummist õhufiltri puhastamiseks süttivaid lahuseid.



2.1

- Mootoriõli taseme kontrollimine

- Pole bensiini- ega määrdeõlilekkeid.



2.2

- Piisavalt bensiini

- Hoidke seade puhas.

- Keskkonnakaitse.

- Puudub ebatavaline vibratsioon või liigne müra.

Esimese 20 tunni järel või iga kuu

- Vahetage mootori ja käigukasti määrdeõli.

Iga 50 töötundi või iga 3 kuu järel

- Puhastage õhufiltrit (2, joonis 2.5)

Iga 100 töötundi või iga 6 kuu järel

- Puhastage filter.
- Vahetage mootori ja käigukasti määrdeõli.
- Puhastage süüteküüнал.
- Puhastage süüteküünlakate.

Iga 300 töötundi järel või kord aastas

- Vahetage õhufilter*.
- Kontrollige klapi lötku**.
- Vahetage süüteküüнал.
- Puhastage kütusefilter**.
- Puhastage põlemiskamber**.
- Määrake tühikäik**.
- Kontrollige kütusevoolikut**.

* Puhastage sagedamini tingimustes, kus õhk on tolmune või õhus on palju prahti.

** Pole oluline, välja arvatud jõudlusprobleemide korral (teostama peab heakskiidetud töökoda).

EN

BG

HR

CZ

DA

NL

ET

FI

FR

DE

GR

HU

IT

LV

LT

NO

PL

PT

RO

RU

SK

SL

ES

SE

TR

UK



Transpor- timine



Seisake mootor.

A Asetage ratas teisaldusasensisse.

B Seadme hõlpsamaks teisaldamiseks seadke käepidemed alumisse asendisse.

C Tõstke juhtraua abil löiketerad maapinnalt ja liikuge edasi.

EN

BG

HR

CZ

DA

NL

ET

FI

FR

DE

GR

HU

IT

LV

LT

NO

PL

PT

RO

RU

SK

SL

ES

SE

TR

UK

- EN
- BG
- HR
- CZ
- DA
- NL
- ET**
- FI
- FR
- DE
- GR
- HU
- IT
- LV
- LT
- NO
- PL
- PT
- RO
- RU
- SK
- SL
- ES
- SE
- TR
- UK



EÜ VASTAVUSDEKLARATSIOON



järgmiste seadmete kohta

Toote nimetus: mootoriga mullafrees
Kaubanimi: pole kohaldatav
Funktsioon: mootoriga mullafrees (vedavate ratasteta) Tüüp: bensiin
Mudeli nr: MFT85 210R
Seerianumber: 16H190570

vastab

masinadirektiivi (2006/42/EÜ) asjakohastele sätetele

ning järgmistele ühtlustatud standarditele:

EN 709: 1997 + A4: 2009
EN 709: 1997 + A4/AC:2012

vastab

elektromagnetilise ühilduvuse direktiivi (2014/30/EL) asjakohastele sätetele

ning järgmistele ühtlustatud standarditele:

EN ISO 14982: 2009

Selle avalduse koostamise eest vastutab

Tootja nimi : Husqvarna AB
Tootja aadress : SE561 82 HUSKVARNA, ROOTSI

Euroopa Liidu piires kehtestatud tehniliste failide koostamise eest vastutab

Ees- ja perekonnanimi : Husqvarna AB
Aadress : SE561 82 HUSKVARNA, ROOTSI

Selle avalduse koostamise eest vastutav isik

Ees- ja perekonnanimi : John Thompson
Ametikoht/ametinimetus : Toote- ja turundusjuht, tarbijakaitseosakond EUAP
Asukoht : Husqvarna UK Ltd, Preston Road
Aycliffe Industrial Park. Newton Aycliffe
Co.Durham,DL5 6UP
Kuupäev : 15. november 2016

(Ettevõtte pitsar ja seaduslik allkiri)

Kiinnitä erityistä huomiota kohtiin, jotka on merkitty seuraavasti:



VAARA: Kertoo erittäin suuresta vakavien ruumiinvammojen todennäköisyydestä tai jopa hengenvaarasta, jos ohjeita ei noudateta.

VAROITUS: Kertoo ruumiinvammojen tai laitteen vahingoittumisen mahdollisuudesta, jos ohjeita ei noudateta.

HUOMAA: Antaa hyödyllisiä tietoja.



Tämä merkki kehottaa varovaisuuteen tiettyjen toimenpiteiden aikana.

Käännä valtuutetun jälleenmyyjän puoleen ongelmatilanteissa tai jos sinulla on kysyttävää koneesta.



VAARA: Kone on suunniteltu toimimaan varmasti ja luotettavasti, jos sitä käytetään käyttöohjeiden mukaisesti. Tutustu huolellisesti tämän käyttöohjeen sisältöön ennen kuin alat käyttää konetta. Muussa tapauksessa voit loukkaantua ja kone voi vaurioitua.

Koneeseen tutustuminen / ohjeita

Tutustu koneen oikeaan käyttöön ja hallintalaitteisiin ennen käyttöä. Opettele miten moottori pysäytetään nopeasti.

Konetta on aina käytettävä käyttöohjeen suositusten mukaisesti.

Muista, että koneen käyttäjä on vastuussa kaikista muille ihmisille tai heidän omaisuudelleen aiheutuneista vahingoista. Käyttäjän vastuulla on arvioida työstettävän maa-alan mahdollisesti aiheuttamat vaaratilanteet, ja lisäksi käyttäjän on varmistettava turvallinen työskentely asianmukaisilla varoimilla. Tämä koskee erityisesti rinteiden sekä irtonaisten, liukkaiden tai epätasaisten maa-alojen työstämistä.

Älä koskaan anna lasten tai koneen käyttöohjeita tuntemattomien henkilöiden käyttää konetta. Paikallinen lainsäädäntö voi määrittellä vähimmäisikärajan koneen käyttäjälle.

Älä koskaan käytä konetta, jos koneen läheisyydessä 20 metrin etäisyydellä on ihmisiä, erityisesti lapsia, tai eläimiä. Koneen käyttäjän on säilytettävä koneen hallinta.

Älä käytä konetta, jos olet käyttänyt lääkkeitä tai muita valmisteita, jotka voivat vaikuttaa reagoitukykyysi tai tarkkaavaisuuteesi.

Jos maa on kovaa, käytä konetta erityisen varovasti, koska kone on tällöin paljon epävakaampi kuin työstetyllä maalla.

Käytä aina koneella työskennellessäsi tukevia, luistamattomia jalkineita ja kepealahkeisia pitkiä housuja. Älä käytä konetta avojaloin tai sandaalit jalassa. On suositeltavaa käyttää kuulonsuojaimia.

Käytä konetta vain sen alkuperäiseen käyttötarkoitukseen eli maan työstämiseen. Kaikenlainen muu käyttö voi olla vaarallista tai vaurioittaa konetta.

Valmistelu

Tutki huolellisesti alue, jolla aiot käyttää konetta, ja poista kaikki esineet, jotka saattavat olla koneen tiellä (kivet, johdot ja langat, lasi, metalliesineet jne.).

Tarkasta kone aina silmämääräisesti ennen käyttöä ja varmista, että terät eivät ole kuluneet tai vaurioituneet. Vaihda kuluneet tai vaurioituneet osat.

Varmista, että moottorin pysäyttävät sähköjohdot eivät ole vaurioituneet, jotta moottori varmasti sammuu.

Varmista, että bensiiniä tai öljyä ei vuoda.

Älä käytä konetta ilman suojakoteloita. Varmista kaikkien liitäntöjen tiukkuus.

Käyttö

Älä koskaan kuljeta ihmisiä koneen päällä.

Ole varovainen käynnistäessäsi moottoria ja noudata valmistajan ohjeita. Pidä jalkasi poissa terien läheisyydestä.

Sammuta moottori, kun konetta ei käytetä.

Kun käytät konetta, älä juokse vaan kulje kävellen.

Ole erityisen varovainen, kun vedät konetta itseesi päin tai kun käytät suunnanvaihdinta (jos varusteena).

Pidä ohjauspylvään mittainen turvallinen välimatka pyöriviin teriin.

Älä vie käsiäsi tai jalkojasi pyörivien osien lähelle tai alle.

Jos havaitset

- epänormaalia tärinää
- jumiumumisen
- kytkinongelmia
- törmäyksen esineeseen
- moottorin pysäytyskaapelin vaurion:

Pysäytä moottori välittömästi (jos moottorin pysäytyskaapeli on vaurioitunut, käytä moottorin pysäyttämiseen käynnistyskytkintä kohdassa Moottorin käynnistäminen kuvatulla tavalla). Anna koneen jäähtyä, irrota sytytystulpan johto ja tarkasta kone. Tee tarvittavat korjaukset valtuutetussa huoltoilikkeessä ennen kuin otat koneen uudelleen käyttöön.

Käytä konetta vain päivänvalossa tai riittävän hyvässä keinovalaistuksessa.

Älä käytä konetta rinteissä, joiden kaltevuus on yli 20°.

Työskentele rinteissä poikittain, älä ylös- ja alaspäin.

Varmista, että pystyt kävelemään rinteessä vakaasti. Vaihda suuntaa erittäin varovasti.

Muiden kuin suositeltujen lisävarusteiden käyttö voi tehdä koneesta vaarallisen, ja ne voivat aiheuttaa koneelle vaurioita, joita takuu ei kata.

Huolto ja varastointi

Sammuta moottori ja irrota sytytystulppa ennen kuin puhdistat, tarkastat, säädät tai huollat konetta tai vaihdat teriä.

Sammuta moottori, irrota sytytystulppa ja käytä paksuja käsineitä, kun vaihdat teriä.

Varmista koneen turvallinen käyttökunto pitämällä kaikki mutterit ja pultit hyvin kiristettyinä.

Vähennä tulipalon vaaraa pitämällä moottori, äänenvaimennin ja polttoainesäiliön alue puhtaana kasveista, liiasta öljystä ja muista helposti syttyvistä aineista.

Vaihdata pakoputken viallinen äänenvaimennin valtuutetussa huoltoilikkeessä.

Älä korjaa osia, vaan vaihda vaurioituneen osan tilalle valmistajan alkuperäinen varaosa.

Vaihda leikkuuterät aina kokonaisina sarjoina, jotta koneen tasapaino säilyy.

Älä muuta koneen ominaisuuksia, jotta turvallisuutesi ei vaarannu. Älä muuta moottorin nopeusasetuksia äläkä käytä moottoria liian suurilla nopeuksilla. Kone on huollettava säännöllisesti, jotta sitä voidaan käyttää turvallisesti ja jotta sen suorituskyky säilyy.

Anna moottorin jäähtyä ennen koneen varastointia.

Vaara! Bensiini on erittäin helposti syttyvää!

Säilytä polttoaine siihen erityisesti tarkoitetuissa astioissa. Täytä polttoainesäiliö aina ulkotiloissa äläkä tupakoi täytön aikana.

Älä irrota polttoainesäiliön korkkia tai lisää polttoainetta, kun moottori käy tai on vielä kuuma.

Jos polttoainetta roiskuu maahan, älä käynnistä moottoria. Siirrä kone toiseen paikkaan ja pidä se etäällä avotulesta, kunnes bensiinihöyry on haihtunut.

Säilytä kone kuivassa paikassa. Älä koskaan varastoi konetta rakennuksessa, jossa bensiinihöyryt voivat yltää avotuleen, kipinöihin tai voimakkaaseen lämmönlähteeseen.

Kiinnitä polttoainesäiliön ja bensiiniastian korkit takaisin paikoilleen asianmukaisesti.

Älä täytä säiliötä liian täyteen, jotta bensiiniä ei roisku.

Älä käytä moottoria suljetuissa tiloissa, joihin voi kertyä hiilimonoksidihöyryä.

Hiilimonoksidi voi olla hengenvaarallista. Huolehdi hyvästä ilmanvaihdosta.

Siirtäminen, käsittely ja kuljettaminen

Kun koneella ei työstetä maata, kaikki muut toimenpiteet on tehtävä moottori sammutettuna.

Koneen siirtäminen (muutoin kuin maata työstettäessä) on tehtävä siirtopyörää käyttämällä kohdassa Siirtäminen kuvatulla tavalla.

Käsittely: älä yritä nostaa konetta. Koneen paino on ilmoitettu valmistuskilvessä ja tämän käyttöohjeen lopussa. Varmista turvallisuus huomioimalla koneen paino ja olosuhteet, kun käsittelet konetta.

Käytä luiskaa, kun lastaat konetta perävaunuun tai otat sitä pois perävaunusta. Varmista turvallisuus kuljetuksen aikana kiinnittämällä kone asianmukaisesti.

Koneen kuljetuksessa on käytettävä perävaunua, älä kuljeta konetta muulla tavalla.

EN

BG

HR

CZ

DA

NL

ET

FI

FR

DE

GR

HU

IT

LV

LT

NO

PL

PT

RO

RU

SK

SL

ES

SE

TR

UK

EN

BG

HR

CZ

DA

NL

ET

FI

FR

DE

GR

HU

IT

LV

LT

NO

PL

PT

RO

RU

SK

SL

ES

SE

TR

UK

SYMBOLIEN MERKITYS



VAROITUS:
Vaara



VAROITUS:
Pidä turvallinen välimatka



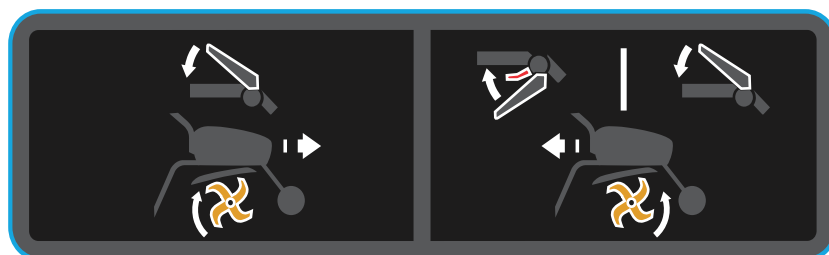
VAROITUS:
Pyörivät terät



VAROITUS:
Lue käyttöohje ja irrota
syttytystulppa ennen töiden
aloittamista.



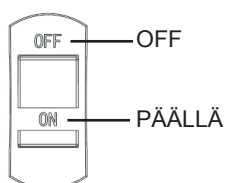
VAROITUS:
Lue käyttöohje



ETEENPÄIN

TAAKSE

Pysäytin



Taattu äänitehotaso



Käytä kuulonsuojaimia.

TEKNISET TIEDOT

Malli	MFT85 210R	Nimellisteho hv (kW) @ r/min	4,8 (3,6) @ 3100
Muokkausleveys (mm)	780	Vaihteet	-1, 0, 1
Muokkaussyvyys (mm)	100–200	Vaihteistoöljy	Rasva
Moottorin tyyppi	McCulloch 210 (WM170F-2/P)	Kokonaispaino (kg)	65,0
Polttoaine	Bensiini	Nettopaino (kg)	60,0
Polttoainesäiliön tilavuus (l)	3,60	Pakkauksen koko (mm)	780 x 500 x 660
Öljysäiliön tilavuus (l)	0,35	Sertifiointi	CE, EAC
Sylinterin tilavuus	212 cc	Taattu äänenpainetaso	2 dB(A)
Äänenpainetaso	78 dB(A)	Tärinän epävarmuus	2 %
Melutaso	98 dB(A)	Kahvan tärinätaso	Vasen kahva: 7.2 mm/s ² Oikea kahva: 7.2 mm/s ²
Melun epävarmuus	2 dB(A)		

PAKKAUKSESTA PURKAMINEN JA KOKOAMINEN

Huomaa: Jatkuvan tuotekehityksen vuoksi valmistaja huomauttaa, että tämä käyttöohje ei ole sitova. Valmistaja varaa oikeuden muuttaa koneiden ominaisuuksia ilman erillistä ilmoitusta.



Pakkauksen purkaminen



VAROITUS:

Ole varovainen, ettet leikkaa johtoja tai vahingoita koneen maalipintaa, kun leikkaat pakkausta auki.

Viite nro	Pakkauksen sisältö
A	Moottorin osat
B	Vastustanko
C	Etupyörä
D	Ohjaisaisa
E	Tukiaisan suojus
F	Nuppi
G	Peitesuojus
H	Pääterä, oikea
I	Pääterä, vasen
J	Tukiaisa
K	Jyrsinterän suojus
L	Työkalupussi
M	Kasvisuoja
N	Alaterä 1, vasen
O	Alaterä 1, oikea
P	Alaterä 2, vasen
Q	Alaterä 2, oikea



Asennus



VAROITUS:

Tämän jyrsimen virheellinen asennus voi aiheuttaa vakavia vammoja. Varmista, että noudatat tarkasti kaikkia ohjeita.

- 1 Teräsuojuksen asentaminen.
- 2 Ensimmäisen teräryhmän asentaminen.
Varmista, että terävät reunat ovat samalla puolella.
- 3 Vastustangon asentaminen.
- 4 Etupyörän asentaminen.
- 5 Ohjaisaisan asentaminen.
- 6 Tukiaisan asentaminen.
- 7 Tukiaisan suojuksen asentaminen.
- 8 Peitesuojuksen asentaminen.
- 9 Toisen teräryhmän asentaminen oikealle.
- 10 Toisen teräryhmän asentaminen vasemmalle.
- 11 12 Kolmannen teräryhmän asentaminen oikealle ja vasemmalle.
- 13 14 Kasvisuojuksen asentaminen.



Varoitus:

Kun koneen asennus on täysin valmis, kiristä kaikki pultit ja ruuvit, mutta älä kiristä liian tiukalle.

Huomaa: Kaikki purkutoimenpiteet on tehtävä valtuutetussa huoltoliikkeessä.



Osien kuvaus

- 1 - Moottori
- 2 - Kytinkahva
- 3 - Tukiaisan suojus
- 4 - Virtakytkin
- 5 - Kasvisuoja
- 6 - Kaasuliipaisin
- 7 - Kahvasarja
- 8 - Vaihtovipu
- 9 - Jyrsinterä
- 10 - Vastustanko
- 11 - Etupyörä



Koneen arvokilpi



Siirtopyörä

A = käyttöasento.
B = siirtoasento.

KONEEN KÄYNNISTÄMINEN



Moottoriöljyn täyttö ja öljytason tarkistus



Bensiinin lisääminen



Öljyn lisääminen merkittyyn kohtaan asti



Avaa bensiinikytkin



Aseta rikastin asentoon A



Kaasuliipaisin

Aseta vipu asentoon H



Siirrä virtakytkin ON-asentoon



Vedä käynnistyskahvasta



Aseta rikastin asentoon B



Varoitus:

Pysy turva-alueella, kun käynnistät konetta.

EN

BG

HR

CZ

DA

NL

ET

FI

FR

DE

GR

HU

IT

LV

LT

NO

PL

PT

RO

RU

SK

SL

ES

SE

TR

UK

KÄYTTÖ



Eteenpäin

3.1

1. Älä siirrä peruutuskytkintä.
- 2-A. Vapauta kytkinkahva.
- 2-B. Paina kytkinkahva alas.



Jätä koneen ympärille 20 metrin turva-alue.



Peruutus

3.2

- 1-A. Siirrä punainen peruutuskytkin.
- 1-B. Purista peruutuskahvaa.
- 2-A. Vapauta kytkinkahva.
- 2-B. Paina kytkinkahva alas.



Jätä koneen ympärille 20 metrin turva-alue.



Peruutusvaihteen käyttö on vaarallista. Varmista, että takanasi ei ole esteitä ja laske moottorin tehoa ennen kytkimen käyttöä.

PYSÄYTTÄMINEN



Pyörivien terien pysäyttäminen

4.1

Vapauta kytkinvipu.



Vähennä kaasua

4.2

Aseta kaasuliipaisin asentoon L



Moottorin sammuttaminen

4.3

Siirrä virtakytkin OFF-asentoon.



Aseta rikastin asentoon A

4.4



Sulje polttoainehana

4.5

HUOLTOTAULUKKO

Päivittäiset tarkastukset

Tee seuraavat tarkastukset ennen moottorin käynnistämistä.

- Tarkista, että mutterit ja pultit eivät ole löystyneet tai vaurioituneet.



- Ilmansuodatinelementin puhdistaminen



Älä käytä helposti syttyvää liuotinta ilmansuodatinelementin vaahtomuoviosan puhdistamiseen.



- Tarkista voiteluöljyn taso.

- Tarkista, että bensiiniä tai voiteluöljyä ei vuoda.



- Bensiinin täyttömäärä

- Pidä kone puhtaana.

- Noudata ympäristönsuojeluohjeita.

- Varmista, että epänormaalia tärinää tai ylimääräisiä ääniä ei kuulu.

20 ensimmäisen käyttötunnin jälkeen tai kuukausittain

- Vaihda moottori- ja vaihteistoöljy.

50 käyttötunnin välein tai 3 kuukauden välein

- Puhdista ilmansuodatin* (2 kuva 4.5).

100 käyttötunnin välein tai 6 kuukauden välein

- Puhdista suodatin.
- Vaihda moottori- ja vaihteistoöljy.
- Puhdista sytytystulppa.
- Puhdista sytytystulpan suojus.

300 käyttötunnin välein tai kerran vuodessa

- Vaihda ilmansuodatin*.
- Tarkista venttiilin vällys**.
- Vaihda sytytystulppa.
- Puhdista polttoainesuodatin**.
- Puhdista palotila**.
- Aseta joutokäynti**.
- Tarkasta polttoainepiiri**.

*Puhdista kone useammin, jos käyttöympäristön ilma on pölyistä tai likaista.

**Ei tarpeen, ellei koneen suorituskyvyssä ilmene ongelmia (ota yhteyttä valtuutettuun huoltoliikkeeseen).



Liikuttaminen



Pysäytä moottori.

A Aseta pyörä siirtoasentoon.

B Aseta kahvat ala-asentoon koneen siirtämisen helpottamiseksi.

C Nosta terät maasta kahvojen avulla ja siirrä konetta eteenpäin.

EN

BG

HR

CZ

DA

NL

ET

FI

FR

DE

GR

HU

IT

LV

LT

NO

PL

PT

RO

RU

SK

SL

ES

SE

TR

UK

- EN
- BG
- HR
- CZ
- DA
- NL
- ET
- FI**
- FR
- DE
- GR
- HU
- IT
- LV
- LT
- NO
- PL
- PT
- RO
- RU
- SK
- SL
- ES
- SE
- TR
- UK

CE EU:N VAATIMUSTENMUKAISUUSVAKUUTUS CE

Seuraava kone

Tuotenimi: puutarhajyrsin
Myyntinimike: –
Käyttötarkoitus: puutarhajyrsin (ei vetäviä pyöriä)
Tyyppi: bensiini
Mallinumero: MFT85 210R
Sarjanumero: 16H190570

on konedirektiivin (2006/42/EY)

asiaankuuluvien säännösten mukainen

ja on seuraavan yhdenmukaistetun standardin mukainen

EN 709: 1997 ja A4: 2009
EN 709: 1997 ja A4/AC:2012

on sähkömagneettista yhteensopivuutta koskevan direktiivin (2014/30/EU)

asiaankuuluvien säännösten mukainen

ja on seuraavan yhdenmukaistetun standardin mukainen:

EN ISO 14982: 2009

Tämän vakuutuksen laadinnasta vastaa

Valmistajan nimi : Husqvarna AB
Valmistajan osoite : SE561 82 HUSKVARNA, RUOTSI

EU:n alueelle sijoittunut henkilö, joka on valtuutettu kokoamaan teknisen tiedoston

Etunimi, sukunimi : Husqvarna AB
Osoite : SE561 82 HUSKVARNA, RUOTSI

Tämän vakuutuksen laadinnasta vastaava henkilö

Etunimi, sukunimi : John Thompson
Asema/titteli : Tuote- ja markkinointipäällikkö, kuluttajadivisioona, EUAP
Paikka : Husqvarna UK Ltd, Preston Road
Aycliffe Industrial Park. Newton Aycliffe
Co.Durham,DL5 6UP
Päivämäärä : 15.11.2016



(Yrityksen leima ja allekirjoitus)

PRÉCAUTIONS DE SÉCURITÉ

Prêtez une attention particulière aux sections marquées comme suit :



DANGER : Cela indique une forte probabilité de blessures graves, voire mortelles si l'instruction n'est pas suivie.

AVERTISSEMENT : Cela signifie qu'il existe un risque de blessures graves ou de dommages à l'équipement en cas de non-respect des instructions.

REMARQUE : Cela indique des informations utiles.



Ce symbole vous rappelle de faire attention lors de certaines opérations.

Si vous avez des problèmes ou des questions au sujet du cultivateur, veuillez contacter votre fournisseur agréé.



DANGER : La machine est conçue pour une utilisation sûre et fiable si elle est utilisée conformément aux instructions. Avant d'utiliser votre machine, veuillez vous assurer que vous avez bien compris le contenu de ce manuel. Dans le cas contraire, vous risquez d'être blessé et votre équipement pourrait être endommagé.

Formation / information

Familiarisez-vous avec l'usage correct et les commandes avant d'utiliser la machine. Sachez comment arrêter le moteur rapidement.

La machine doit toujours être utilisée conformément aux recommandations fournies dans le manuel d'instructions.

N'oubliez pas que l'utilisateur est responsable de tout accident ou de toute réaction dangereuse qui toucherait d'autres personnes ainsi que leurs effets personnels. Il est de sa responsabilité d'évaluer les risques potentiels du sol à dégager et de prendre toutes les précautions nécessaires pour s'assurer sa sécurité, en particulier sur les pentes et sur des sols meubles, glissants ou irréguliers.

N'autorisez jamais des enfants ou des personnes qui n'ont pas pris connaissance de ces instructions à se servir de la machine. Certaines lois locales peuvent définir un âge minimum pour les utilisateurs.

Ne travaillez jamais lorsqu'il y a des gens, en particulier des enfants, ou des animaux dans un rayon de 20 mètres autour de la machine ; l'opérateur doit obligatoirement rester aux commandes.

N'utilisez pas la machine si vous avez pris des médicaments ou d'autres substances qui risquent de ralentir vos réactions ou vous faire somnoler.

Il convient d'être particulièrement attentif sur sol dur, car la machine a tendance à être beaucoup moins stable que sur les sols cultivés.

Portez toujours des chaussures solides et antidérapantes et un pantalon long et serré pendant le travail. N'utilisez pas la machine pieds nus ou en sandales. Le port de protections auditives est recommandé.

Utilisez la machine aux fins auxquelles elle a été conçue en ce qui concerne le creusement des sols. Toute autre utilisation peut être dangereuse ou causer des dommages à la machine.

Préparation

Inspectez soigneusement la zone où la machine va être utilisée et retirez tous les objets qui pourraient être projetés par la machine (pierres, fils, verre, objets métalliques...).

Avant toute utilisation, vérifiez toujours la machine pour vous assurer que les outils ne sont pas usés ou endommagés. Remplacez toute pièce usée ou endommagée.

Maintenez les câbles électriques qui arrêtent le moteur en bon état afin de vous assurer de pouvoir couper le moteur.

Vérifiez l'absence de fuite d'essence ou d'huile.

N'utilisez pas la machine sans ses gaines de protection et assurez-vous que tous les raccords sont bien serrés.

Utilisation

Ne transportez jamais des personnes sur la machine.

Faites attention lors du démarrage du moteur, suivez les instructions du fabricant et gardez les pieds à distance de la/des lame(s).

Arrêtez le moteur lorsque la machine n'est pas utilisée.

Lorsque vous tenez la machine, marchez, ne courez pas.

Faites très attention lorsque vous tirez la machine vers vous ou vous inversez le sens de rotation (selon votre préférence).

Gardez une distance de sécurité avec les lames en rotation, selon la longueur de la colonne de direction.

Ne placez pas les mains ou les pieds à proximité ou en dessous des pièces rotatives.

Si vous observez :

- des vibrations anormales,
- un blocage,
- des difficultés à engager ou à désengager l'embrayage,
- une collision avec un corps étranger,
- la détérioration du câble d'arrêt du moteur.

Arrêtez immédiatement le moteur (si le câble d'arrêt du moteur est sectionné, utilisez la commande de démarreur comme décrit dans le paragraphe « démarrer le moteur » pour arrêter le moteur), laissez la machine refroidir, débranchez le fil de bougie, inspectez la machine et faites effectuer les réparations nécessaires par un réparateur agréé avant toute nouvelle utilisation.

Travaillez uniquement de jour ou sous un bon éclairage artificiel.

N'utilisez pas la machine sur des pentes de plus de 20°.

Travaillez en travers des pentes, et non pas dans la direction de la pente.

Assurez-vous de garder l'équilibre sur les terrains en pente, faites très attention lorsque vous changez de direction.

L'utilisation d'accessoires autres que ceux recommandés peuvent rendre la machine dangereuse et lui causer des dommages qui ne seront pas couverts par votre garantie.

Entretien / Stockage

Arrêtez le moteur et débranchez la bougie d'allumage avant de procéder au nettoyage, à l'inspection, au réglage ou à l'entretien de la machine, ou avant de changer d'outil(s).

Arrêtez le moteur, débranchez la bougie d'allumage et utilisez des gants épais lors du changement d'outil(s).

Maintenez tous les écrous et les boulons bien serrés pour assurer la sécurité des conditions d'utilisation.

Afin de réduire les risques d'incendie, maintenez le moteur, le silencieux et la zone de stockage de carburant exempts de plantes, d'huile usagée, ou de tout autre matériau inflammable.

Si le silencieux d'échappement est défectueux, faites-le remplacer par un réparateur agréé.

Ne réparez pas les pièces ; remplacez-les par les pièces de rechange du constructeur.

Remplacez les lames de coupe par jeux complets pour maintenir leur équilibre.

Pour votre propre sécurité, ne modifiez pas les caractéristiques de votre machine. Ne modifiez pas les réglages de vitesse du moteur et ne faites pas tourner le moteur à des vitesses excessives. Un entretien régulier est essentiel pour maintenir la sécurité et le niveau de performance.

Laissez refroidir le moteur avant de ranger la machine.

Danger ! L'essence est hautement inflammable !

Conservez le carburant dans des récipients spécialement conçus à cet effet. Remplissez toujours le réservoir à l'extérieur et ne fumez pas pendant cette opération.

Ne dévissez pas le bouchon du réservoir de carburant et ne faites pas l'appoint avec de l'essence pendant que le moteur tourne ou est encore chaud.

Si de l'essence est renversée sur le sol, n'essayez pas de démarrer le moteur. Déplacez la machine ailleurs et évitez toute flamme nue jusqu'à dispersion des vapeurs d'essence.

Entreposez la machine dans un endroit sec. Ne remisez jamais la machine dans un bâtiment où les vapeurs d'essence peuvent atteindre une flamme, une étincelle ou une source de chaleur intense.

Revissez les bouchons de réservoir de carburant et de bidon d'essence correctement.

Limitez la quantité d'essence dans le réservoir afin de réduire les déversements.

Ne faites pas tourner le moteur dans un espace confiné où les vapeurs de monoxyde de carbone peuvent s'accumuler.

Le monoxyde de carbone peut être mortel. Assurez une bonne ventilation.

Déplacement, manipulation, transport

Toute action sur la machine en dehors le creusement du sol doit être effectuée avec le moteur arrêté.

Sauf, en plus du creusement des sols, lorsque la machine doit être déplacée en utilisant la roue de transport, comme décrit dans le chapitre « Déplacement ».

Manipulation : n'essayez pas de soulever la machine. Le poids de la machine est indiqué sur la plaque du constructeur et à la fin de ce manuel. Utilisez une méthode de manutention adaptée au poids de la machine et à la situation pour garantir la sécurité.

Lors du chargement ou du déchargement de la machine depuis ou vers une remorque, utilisez une rampe. Attachez correctement la machine au sol pour un transport sécurisé.

Il convient de transporter la machine dans une remorque ; n'utilisez pas d'autre méthode de transport.

EN

BG

HR

CZ

DA

NL

ET

FI

FR

DE

GR

HU

IT

LV

LT

NO

PL

PT

RO

RU

SK

SL

ES

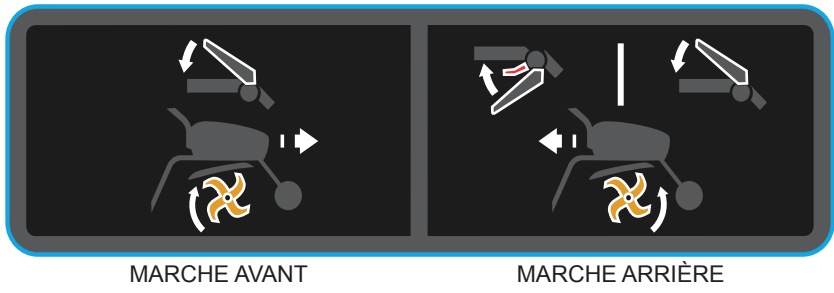
SE

TR

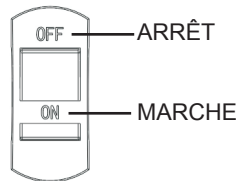
UK

DÉFINITION DES ICÔNES

-  **AVERTISSEMENT**
Danger
-  **AVERTISSEMENT**
Conserver une distance de sécurité
-  **AVERTISSEMENT**
Outils rotatifs
-  **AVERTISSEMENT**
Se reporter au manuel de l'opérateur et retirer la bougie avant de réaliser la moindre tâche.
-  **AVERTISSEMENT**
Lire le manuel de l'opérateur



Bouton d'arrêt



Niveau sonore garanti



Des protections auditives doivent être utilisées.

INFORMATIONS TECHNIQUES

Modèle	MFT85 210R	Puissance max en ch (kW) @ tr/min	4.8 (3,6) @ 3100
Largeur de labourage (mm)	780	Vitesses	-1,0,1
Profondeur de labourage (mm)	100-200	Huile de transmission	Graisse
Type de moteur	McCulloch 210 (WM170F-2/P)	Poids brut (kg)	65,0
Carburant	Essence	Poids Net (kg)	60,0
Capacité du réservoir de carburant (L)	3,60	Taille de l'emballage (mm)	780x500x660
Contenance du réservoir d'huile (L)	0,35	Certification	CE, EAC
Cylindrée	212 cm ³	Incertitude sonore	2 db (A)
Niveau de pression acoustique	78 db (A)	Valeur de protection sonore	2%
Mesure de puissance sonore	98 db (A)	Valeur des vibrations de la poignée	Left handle: 7.2 mm/s ² Right handle: 7.4 mm/s ²
Incertitude vibratoire	2 db (A)		

DÉBALLAGE / ASSEMBLAGE

Remarque : Dans le souci constant d'améliorer ses produits, le fabricant déclare que l'ensemble de ce manuel n'est pas contractuel et se réserve le droit de modifier les spécifications de ses machines sans préavis.

1.1 Déballage



AVERTISSEMENT :
Veillez à ne pas couper les câbles ou rayer la peinture de la machine lorsque vous coupez les bords de la boîte.

Réf.	Contenu du boîtier
A	Pièce de moteur
B	Tige de résistance
C	Roue avant
D	Tuyau de support
E	Capot de main courante
F	Bouton
G	Capot de rangement
H	Dent principale, droite
I	Dent principale, gauche
J	Rail
K	Capot de protection des dents
L	Trousse à outils
M	Étrier de protection des plantes
N	Sous dent-1, gauche
O	Sous dent-1, droite
P	Sous dent-2, gauche
Q	Sous dent-2, droite



Montage



AVERTISSEMENT :
Une utilisation inappropriée de ce motoculteur rotatif peut provoquer de graves blessures. Assurez-vous de suivre attentivement toutes les instructions.

- 1** Montage du capot de protection des dents.
- 2** Montage du premier groupe de dents.
Assurez-vous que les bords tranchants font face au même côté.
- 3** Montage de la tige de résistance.
- 4** Montage de la roue avant.
- 5** Montage du tuyau de support.
- 6** Montage du rail.
- 7** Montage du capot de main courante.
- 8** Montage du capot de rangement.
- 9** Montage du deuxième groupe de dents - droite.
- 10** Montage du deuxième groupe de dents - gauche.
- 11 12** Montage du troisième groupe de dents - gauche et droite.
- 13 14** Montage de la protection des plantes.



AVERTISSEMENT :
Après l'assemblage complet de la machine, serrez tous les boulons et vis avec modération : ne serrez pas trop fort.

Remarque : Toute opération de démontage doit être effectuée uniquement par un atelier agréé.



Description des composants

- 1 - Moteur
- 2 - Poignée de l'embrayage
- 3 - Capot de main courante
- 4 - Interrupteur MARCHE/ARRÊT
- 5 - Protection des plantes
- 6 - Commande d'accélération
- 7 - Kit de poignée
- 8 - Passage de vitesses
- 9 - Dents
- 10 - Tige de résistance
- 11 - Roue avant



Plaque d'identité de la machine



Roue de transport

A = Position de travail
B = Position de transport

DÉMARRAGE DE LA MACHINE



Ajoutez l'huile moteur et vérifiez le niveau



Faites l'appoint en essence



Injectez l'huile au niveau de la position identifiée



Ouvrez le contacteur à essence



Placez le starter en position A



Commande d'accélération

Poussez le levier vers : **H**



Réglez l'interrupteur on/off sur « on » (marche)



Tirez sur la poignée du démarreur



Placez le starter en position B



AVERTISSEMENT :
Lorsque l'appareil démarre, restez dans la zone de sécurité.

EN

BG

HR

CZ

DA

NL

ET

FI

FR

DE

GR

HU

IT

LV

LT

NO

PL

PT

RO

RU

SK

SL

ES

SE

TR

UK

UTILISATION



Marche avant

1. Laissez l'embrayage de marche arrière en l'état.
- 2-A. Déverrouillez la poignée d'embrayage.
- 2-B. Appuyez sur la poignée d'embrayage.



Maintenez une zone de sécurité dans un rayon de 20 m autour de l'appareil.



Marche arrière

- 1-A. Faites basculer le commutateur rouge de marche arrière.
- 1-B. Appuyez sur la poignée de marche arrière.
- 2-A. Déverrouillez la poignée d'embrayage.
- 2-B. Appuyez sur la poignée d'embrayage.



Maintenir une zone de sécurité de 20 m de rayon autour de l'appareil.



Il est dangereux de reculer. Veillez à l'absence d'obstacles et diminuez la vitesse du moteur avant d'engager l'embrayage.

ARRÊT



Arrêtez les outils rotatifs

Relâchez le levier d'embrayage.



Coupez le moteur

Placez l'interrupteur on/off sur OFF (arrêt).



Arrêtez les outils rotatifs



Réduisez la vitesse

Placez la commande d'accélération sur : 



Placez le starter en position A

TABLEAU D'ENTRETIEN

Vérification quotidienne

Avant de démarrer le moteur, vérifiez les points suivants.

- Vous ne devez pas trouver d'écrous ou de boulons desserrés ou cassés.



■ Propreté de l'élément de filtre à air



N'utilisez pas de solvant inflammable pour nettoyer l'élément en mousse de filtre à air.



■ Vérifiez le niveau d'huile de lubrification

- Aucune fuite d'essence ou d'huile moteur.



■ Essence suffisante

- Maintenez la machine propre.
- Protection de l'environnement.
- Aucune vibration anormale ou bruit excessif.

Après les 20 premières heures ou tous les mois

- Changez l'huile de lubrification du moteur et de la boîte de vitesses.

Toutes les 50 heures ou tous les 3 mois

- Nettoyez le filtre à air* (2 Fig. 4.5).

Toutes les 100 heures ou tous les 6 mois

- Nettoyez le filtre.
- Changez l'huile de lubrification du moteur et de la boîte de vitesses.
- Nettoyez la bougie.
- Nettoyez la protection de bougie.

Toutes les 300 heures ou une fois par an

- Remplacez le filtre à air*.
- Contrôlez le jeu aux soupapes**.
- Remplacez la bougie.
- Nettoyez le filtre à carburant**.
- Nettoyez les chambres de combustion**.
- Réglez le ralenti**.
- Contrôlez le circuit de carburant**.

* Nettoyez-le plus souvent en cas d'utilisation dans un environnement où l'air est poussiéreux ou chargé de débris.

** Pas indispensable, sauf en cas de problèmes de performance (à effectuer dans un atelier agréé).

EN

BG

HR

CZ

DA

NL

ET

FI

FR

DE

GR

HU

IT

LV

LT

NO

PL

PT

RO

RU

SK

SL

ES

SE

TR

UK



Déplacement



Coupez le moteur.

A Mettez la roue en position de transport.

B Placez le guidon en position basse pour faciliter le déplacement de la machine.

C Soulevez les lames du sol à l'aide du guidon, puis avancez vers l'avant.

EN

BG

HR

CZ

DA

NL

ET

FI

FR

DE

GR

HU

IT

LV

LT

NO

PL

PT

RO

RU

SK

SL

ES

SE

TR

UK

- EN
- BG
- HR
- CZ
- DA
- NL
- ET
- FI
- FR**
- DE
- GR
- HU
- IT
- LV
- LT
- NO
- PL
- PT
- RO
- RU
- SK
- SL
- ES
- SE
- TR
- UK



DÉCLARATION DE CONFORMITÉ CE



Pour la machine suivante

Nom du produit : Motobineuse
Nom commercial : N/A
Fonction : Motobineuse (sans roues entraînées)
Type : Essence
N° de modèle : MFT85 210R
N° de série : 16H190570

est confirmée par la présente satisfaisante à toutes les dispositions pertinentes de

Directive machines (2006/42/CE)

et la norme harmonisée suivante est en accord avec

Norme EN 709 : 1997 + A4 : 2009
Norme EN 709 : 1997 + A4/AC:2012

est confirmée par la présente satisfaisante à toutes les dispositions pertinentes de

Directive relative à la compatibilité électromagnétique (2014/30/UE)

et la norme harmonisée suivante est en accord avec :

EN ISO 14982 : 2009

La personne responsable du marquage de cette déclaration est

Nom du fabricant : Husqvarna AB
Adresse du fabricant : SE561 82 HUSKVARNA, SUÈDE

Personne responsable de la compilation des dossiers techniques établie dans l'Union européenne

Prénom, Nom de famille : Husqvarna AB
Adresse : SE561 82 HUSKVARNA, SUÈDE

Personne responsable de cette déclaration

Prénom, Nom de famille : John Thompson
Poste/Titre : Directeur produit et marketing, Division client EUAP
Lieu : Husqvarna UK Ltd, Preston Road
Aycliffe Industrial Park. Newton Aycliffe
Co. Durham, DL5 6UP
Date : 15 novembre 2016

(Cachet de la société et signature légale)

SICHERHEITSMASSNAHMEN

Achten Sie besonders auf die wie folgt gekennzeichneten Bereiche:



GEFAHR: Diese Kennzeichnung weist auf eine hohe Wahrscheinlichkeit ernster oder sogar tödlicher Verletzungen hin, die möglich sind, wenn Anweisungen nicht befolgt werden.

WARNUNG: Diese Kennzeichnung bezieht sich auf das Verletzungs- oder Beschädigungsrisiko für die Ausstattung, das besteht, wenn Anweisungen nicht befolgt werden.

HINWEIS: Dies weist auf nützliche Informationen hin.



Dieses Symbol erinnert Sie daran, bei bestimmten Vorgängen besonders vorsichtig vorzugehen.

Wenn Sie Probleme mit dem Kultivator haben oder Fragen dazu stellen möchten, kontaktieren Sie bitte den zugelassenen Lieferanten.



GEFAHR: Die Maschine wurde für einen sicheren und zuverlässigen Betrieb unter Berücksichtigung der Anweisungen entwickelt. Stellen Sie sicher, dass Sie vor dem Einsatz der Maschine die Inhalte der Bedienungsanleitung verstanden haben. Andernfalls können Sie sich verletzen oder die Maschine beschädigen.

Schulung/Informationen

Machen Sie sich mit dem korrekten Einsatz und den Steuerungen vor dem Benutzen der Maschine vertraut. Bringen Sie in Erfahrung, wie Sie den Motor sofort unterbrechen können.

Die Maschine muss immer unter Berücksichtigung der im Benutzerhandbuch dargelegten Empfehlungen verwendet werden.

Denken Sie daran, dass der Benutzer für alle Unfälle und Gefahren für andere Personen oder deren Eigentum verantwortlich ist. Es liegt in der Verantwortung des Benutzers, die potenziellen Risiken des Untergrunds abzuschätzen, der bearbeitet werden soll, und entsprechende Vorsichtsmaßnahmen zu ergreifen, um die Sicherheit, besonders an Hängen, auf losem, rutschigen oder unebenem Untergrund zu gewährleisten.

Verhindern Sie, dass Kinder oder Personen, die mit den Anweisungen nicht vertraut sind, das Gerät benutzen. Hierzu müssen möglicherweise örtliche Gesetze beachtet werden, die ein Mindestalter für den Benutzer vorschreiben.

Arbeiten Sie niemals mit der Maschine, wenn sich Personen, besonders Kinder, oder Tiere im Umkreis von 20 Metern der Maschine befinden. Der Benutzer muss die Kontrolle über die Bedienungen der Griffe behalten.

Sie dürfen die Maschine nicht einsetzen, wenn Sie Medikamente oder andere Substanzen zu sich genommen haben, die Ihre Reaktionsfähigkeit beeinträchtigen oder schläfrig machen.

Gehen Sie besonders auf hartem Untergrund behutsam vor, da die Maschine dazu neigt, dort weniger stabil zu arbeiten als auf bereits bearbeitetem Untergrund.

Tragen Sie jederzeit stabile und rutschfeste Schuhe sowie enge, lange Hosen. Verwenden Sie die Maschine niemals barfuß oder mit Sandalen bekleidet. Das Tragen eines Gehörschutzes wird empfohlen.

Verwenden Sie die Maschine nur für den vorgesehenen Zweck: zum Umgraben des Bodens. Jegliche andere Verwendung kann eine Gefahr bedeuten oder Beschädigungen an der Maschine hervorrufen.

Vor der Inbetriebnahme

Überprüfen Sie den Bereich, in dem die Maschine eingesetzt werden soll, und entfernen Sie eventuell Objekte, die eventuell von der Maschine aufgenommen werden könnten (Steine, Kabel, Glas, Metallobjekte usw.).

Überprüfen Sie vor dem Gebrauch die Maschine, um sicherzustellen, dass die Werkzeuge nicht abgenutzt oder beschädigt sind. Entfernen Sie alle abgenutzten oder beschädigten Teile.

Achten Sie auf einen guten Zustand des elektrischen Kabels, welches den Motor unterbricht, sodass Sie sicherstellen können, den Motor jederzeit ausschalten zu können.

Überprüfen Sie, dass kein Benzin oder Öl heraustritt.

Verwenden Sie die Maschine niemals ohne Schutzgehäuse, und stellen Sie sicher, dass diese gut befestigt sind.

Gebrauch

Transportieren Sie niemals Personen auf der Maschine.

Gehen Sie beim Starten des Motors vorsichtig vor, befolgen Sie die Anweisungen des Herstellers und halten Sie Ihre Füße von den Klingen fern.

Unterbrechen Sie den Motor, sobald Sie die Maschine nicht mehr verwenden.

Laufen Sie nicht umher, während Sie die Maschine in den Händen halten.

Gehen Sie äußerst vorsichtig vor, wenn Sie die Maschine in Ihre Richtung bewegen oder einen Richtungswechsel anstreben (sofern nötig).

Halten Sie einen sicheren Abstand zu den rotierenden Klingen ein, der von der Lenksäule vorgegeben ist.

Halten Sie mit Händen und Füßen Abstand zu rotierenden Teilen.

Bei:

- ungewöhnlichen Vibrationen,
- einer Blockierung,
- einem Problem beim Kuppeln,
- einem Zusammenstoß mit einem fremden Gegenstand,
- einer Beschädigung des Kabels zum Unterbrechen des Motors

müssen Sie sofort den Motor unterbrechen (sofern ein Kabel zum Unterbrechen des Motors vorhanden ist. Verwenden Sie den Anlasser wie im Abschnitt „Motor starten“ beschrieben, um den Motor zu unterbrechen), lassen Sie die Maschine abkühlen, trennen Sie die Zündkerze, untersuchen Sie die Maschine und lassen Sie von einem zugelassenen Zulieferer notwendige Reparaturen durchführen, bevor Sie die Maschine erneut einsetzen.

Arbeiten Sie nur bei Tageslicht oder einwandfreier künstlicher Beleuchtung.

Verwenden Sie die Maschine nicht auf Hängen mit mehr als 20° Neigung

Arbeiten Sie quer zum Hang, nicht von oben nach unten oder von unten nach oben.

Achten Sie darauf, Ihre Füße auf dem Hang zu lassen, und ändern Sie nur ganz vorsichtig die Richtung.

Der Einsatz von Zubehör, welches nicht ausdrücklich für die Maschine empfohlen wird, kann eine Gefahr bedeuten und Ihre Maschine beschädigen, diese Beschädigungen sind nicht von der Garantie abgedeckt.

Wartung/Lagerung

Unterbrechen Sie den Motor, und trennen Sie die Zündkerze, bevor Sie die Maschine reinigen, überprüfen, einstellen oder warten oder Teile austauschen.

Unterbrechen Sie den Motor, trennen Sie die Zündkerze und verwenden Sie dicke Handschuhe beim Austausch von Teilen.

Ziehen Sie alle Muttern und Schrauben fest an, um einen sicheren Zustand zu gewährleisten.

Um das Brandrisiko zu senken, reinigen Sie den Motor, den Schalldämpfer und den Bereich des Kraftstoffbehälters von Pflanzen, Altöl oder anderen brennbaren Materialien.

Wenn der Schalldämpfer defekt ist, lassen Sie ihn durch einen zugelassenen Techniker ersetzen.

Biegen Sie niemals Teile. Ersetzen Sie Teile nur durch Teile des Herstellers.

Ersetzen Sie die Schneidklingen nur im kompletten Satz, um eine gleichmäßige Leistung zu gewährleisten.

Ändern Sie zu Ihrer eigenen Sicherheit keine Eigenschaften der Maschine. Ändern Sie nicht die Geschwindigkeitseinstellungen des Motors, und überschreiten Sie diese nicht. Eine regelmäßige Wartung ist ausschlaggebend für die Sicherheit und die Aufrechterhaltung der Leistungsfähigkeit der Maschine.

Lassen Sie den Motor abkühlen, bevor Sie die Maschine verstauen.

Gefahr! Benzin ist leicht entzündlich!

Bewahren Sie Kraftstoff nur in dafür vorgesehene Behälter auf. Befüllen Sie den Tank nur im Freien, rauchen Sie dabei nicht.

Bei laufendem Motor oder noch nicht abgekühltem Motor darf der Tankdeckel nicht geöffnet werden und es darf nicht getankt werden.

Wenn Kraftstoff auf dem Untergrund verschüttet wird, darf der Motor nicht gestartet werden. Tragen Sie die Maschine an einen anderen Ort und vermeiden Sie offenes Feuer, bis sich der Kraftstoffdampf aufgelöst hat.

Lagern Sie die Maschine an einem trockenen Ort. Lagern Sie die Maschine niemals in einem Gebäude, in dem Kraftstoffdampf mit offenem Feuer, Funken oder extremen Wärmequellen in Kontakt kommen kann.

Schließen Sie sorgfältig die Deckel des Kraftstofftanks und des Benzinkanisters.

Füllen Sie nur eine begrenzte Menge Benzin in den Tank, um ein Überschwappen zu verhindern.

Betreiben Sie nicht den Motor in beengten Bereichen, in denen sich Kohlenmonoxidämpfe ansammeln können.

Kohlenmonoxid kann tödlich sein. Sorgen Sie für eine gute Lüftung.

Transport, Handhabung während des Transports

Alle Maßnahmen an der Maschine, die nichts mit dem Umgraben des Untergrunds zu tun haben, müssen bei ausgeschaltetem Motor erfolgen.

Dies gilt nicht, wenn (beim Umgraben) die Maschine mithilfe des Transportrads, wie im Kapitel „Bewegen“ beschrieben, bewegt werden soll.

Handhabung: Versuchen Sie nicht, die Maschine zu heben. Das Gewicht der Maschine ist auf dem Typenschild des Herstellers am Ende dieses Benutzerhandbuchs angegeben. Handhaben Sie die Maschine nach ihrem Gewicht und nach der Situation, in der die Sicherheit gewährleistet werden kann.

Beim Be- und Entladen der Maschine auf oder von einem Anhänger muss eine geeignete Rampe verwendet werden. Verzurren Sie die Maschine ordnungsgemäß, um einen sicheren Transport zu garantieren.

Die Maschine muss auf einem Anhänger transportiert werden, andere Transportmöglichkeiten sind nicht zulässig.

EN

BG

HR

CZ

DA

NL

ET

FI

FR

DE

GR

HU

IT

LV

LT

NO

PL

PT

RO

RU

SK

SL

ES

SE

TR

UK

DEFINITION DER PIKTOGRAMME

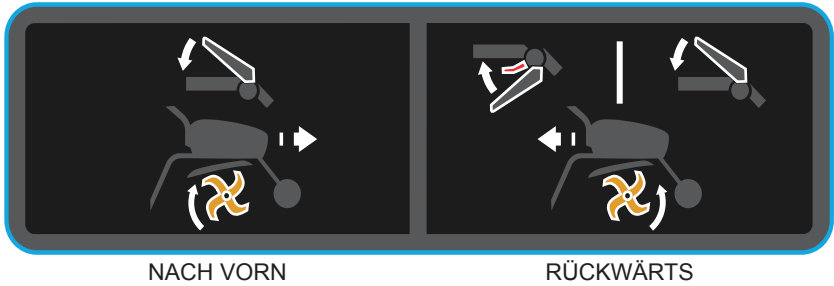
! WARNUNG
Gefahr

⚠️ WARNUNG
Sicherheitsabstand halten

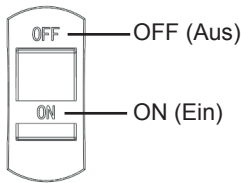
⚙️ WARNUNG
Rotierende Werkzeuge

📖 WARNUNG
Lesen Sie die Bedienungsanleitung und entfernen Sie vor allen Arbeiten die Zündkerze.

📖 WARNUNG
Lesen Sie die Bedienungsanleitung



Stopschalter



Garantierter Schalleistungspegel



Es muss Gehörschutz getragen werden.

TECHNISCHE INFORMATIONEN

Modell	MFT85 212R	Nennleistung: PS (kW) bei U/min	4,8 (3,6) bei 3100
Bearbeitungsbreit (mm)	780	Gänge	-1,0,1
Bearbeitungstiefe (mm)	100-200	Hydrauliköl	Fett
Motortyp	McCulloch 210 (WM170F-2/P)	Gesamtgewicht (kg)	65,0
Kraftstoff	Benzin	Nettogewicht (kg)	60,0
Fassungsvermögen des Kraftstofftanks (L)	3,60	Packmaß (mm)	780 x 500 x 660
Ölfüllmenge (L)	0,35	Zertifizierung	CE, EAC
Hubraum	212 cm ³	Garantierter, akustischer Druckpegel	2 db (A)
Schalldruckpegel	78 db (A)	Vibrationsunsicherheit	2 %
Schalleistungspegel	98 db (A)	Wert der Griffvibrationen	Linker Griff: 7,2mm/s ² Rechter Griff: 7,4mm/s ²
Schallunsicherheit	2 db (A)		

AUSPACKEN/MONTAGE

Hinweis: Der Hersteller ist stets bestrebt, seine Produkte zu verbessern, daher weist er darauf hin, dass die Aussagen dieses Benutzerhandbuchs keinerlei Vertragscharakter haben und dass er sich das Recht vorbehält, Spezifikationen seiner Maschinen ohne vorherige Ankündigung zu ändern.

1.1 Auspacken

! WARNUNG: Achten Sie darauf, dass Sie keine Kabel durchtrennen oder lackierte Teile zerkratzen, wenn Sie in der Nähe von Kanten arbeiten.

Ref.	Gehäuseinhalt
A	Motorteil
B	Widerstandsstange
C	Vorderrad
D	Standrohr
E	Handlaufabdeckung
F	Knauf
G	Reinigungsabdeckung
H	Hauptblech, rechts
I	Hauptblech, links
J	Schiene
H	Blechabdeckung
L	Werkzeugtasche
M	Pflanzenschutz
N	Unterer Zinken 1, links
O	Unterer Zinken 1, rechts
P	Unterer Zinken 2, links
Q	Unterer Zinken 2, rechts

1.2 Einbau

! WARNUNG: Eine unsachgemäße Montage dieser Drehmotorhacke kann zu schwerwiegenden Verletzungen führen. Stellen Sie sicher, dass alle Anweisungen sorgfältig beachtet werden.

- 1** Einbau des Schutzbleches.
- 2** Einbau der ersten Blechgruppe.
Stellen Sie sicher, dass die scharfen Kanten alle zu einer Seite zeigen.
- 3** Einbau der Widerstandsstange.
- 4** Einbau des Vorderrads.
- 5** Einbau des Standrohrs.
- 6** Einbau der Schiene.
- 7** Einbau der Handlaufabdeckung.
- 8** Anbringen der Reinigungsabdeckung.
- 9** Anbringen der zweiten Blechgruppe – rechts.
- 10** Anbringen der zweiten Blechgruppe – links.
- 11 12** Einbau des dritten Blechgruppe – links und rechts.
- 13 14** Einbau des Pflanzenschutzes.

! Warnung: Nach der abgeschlossenen Montage der Maschine müssen die Schrauben und Muttern ordnungsgemäß und mit Vorsicht angezogen werden, ein Überdrehen ist zu vermeiden.

Hinweis: Jegliches Ausbauen darf nur durch eine zugelassene Reparaturwerkstatt ausgeführt werden.

1.3 Beschreibung der Komponenten

- 1 – Motor
- 2 – Kupplungsgriff
- 3 – Handlaufabdeckung
- 4 – EIN/AUS-Schalter
- 5 – Pflanzenschutz
- 6 – Gashebel
- 7 – Griffeneinstellung
- 8 – Hubhebel
- 9 – Blech
- 10 – Widerstandsstange
- 11 – Vorderrad

1.4 Identifikationstypenschild der Maschine

1.5 Transportrolle

A = Betriebslage.
B = Transportstellung.

STARTEN DER MASCHINE

 2.1 Einfüllen von Motoröl und Überprüfung des Ölstands


 2.2 Nachfüllen von Benzin

 2.3 Einfüllen von Öl an der angegebenen Position

 2.4 Öffnen Sie den Benzinschalter

 2.5 Stellen Sie den Choke in Position A.

 2.6 Gashebel
Stellen Sie den Schalthebel auf: **H**

 2.7 Stellen Sie den Ein-/Ausschalter auf „Ein“

 2.8 Ziehen Sie den Startergriff

 2.9 Stellen Sie den Choke in Position B.

! Warnung: Bleiben sie im Sicherheitsbereich, wenn der Motor zündet.

EN

BG

HR

CZ

DA

NL

ET

FI

FR

DE

GR

HU

IT

LV

LT

NO

PL

PT

RO

RU

SK

SL

ES

SE

TR

UK

ANWENDUNG



3.1

Weiter

1. Behalten Sie den Rückwärtsgang bei.
- 2-A. Lösen Sie die Kupplung.
- 2-B. Betätigen Sie die Kupplung.



Richten Sie einen Sicherheitsbereich von 20 m um die Maschine herum ein.



3.2

Rückwärts

- 1-A. Betätigen Sie den roten Rückwärtsgangschalter
- 1-B. Drücken Sie den Rückwärtshebel
- 2-A. Lösen Sie die Kupplung.
- 2-B. Betätigen Sie die Kupplung.



Richten Sie einen Sicherheitsbereich von 20 m um die Maschine herum ein.



Die Nutzung des Rückwärtsgangs ist gefährlich. Stellen Sie sicher, dass sich hinter Ihnen keine Hindernisse befinden, und senken Sie die Drehzahl des Motors, bevor Sie die Kupplung betätigen.

STOPPEN



4.1

Stoppen der sich drehenden Werkzeuge

Lösen Sie den Kupplungshebel.



4.3

Stoppen des Motors

Stellen Sie den Ein-/Ausschalter auf AUS.



4.5

Schließen Sie den Benzinhahn



4.2

Gas vermindern

Stellen Sie den Gashebel auf: L



4.4

Stellen Sie den Choke in Position A.

WARTUNGSTABELLE

Tägliche Überprüfung

Überprüfen Sie die folgenden Punkte, bevor Sie den Motor anlassen.

- Es dürfen keine Muttern oder Schrauben lose oder beschädigt sein.



4.5

■ Sauberkeit des Luftfilterelements



Verwenden Sie keine entflammenden Lösungsmittel zum Reinigen der Schaumstoffelemente des Luftfilters.



2.1

■ Überprüfen Sie den Schmierölstand

- Es darf kein Benzin oder Schmieröl austreten.



2.2

■ Ausreichend Benzin

- Halten Sie das Gerät sauber.

- Umweltschutz.

- Keine anormalen Vibrationen/übermäßigen Geräusche.

Nach den ersten 20 Betriebsstunden oder monatlich

- Wechseln Sie das Schmieröl des Motors und der Kupplung.

Alle 50 Betriebsstunden oder alle 3 Monate

- Reinigen Sie den Luftfilter * (2 Abb. 4.5).

Alle 100 Betriebsstunden oder alle 6 Monate

- Reinigen Sie den Filter.
- Wechseln Sie das Schmieröl des Motors und der Kupplung.
- Zündkerze reinigen.
- Reinigen Sie die die Abdeckung der Zündkerze.

Alle 300 Betriebsstunden oder einmal pro Jahr

- Tauschen Sie den Luftfilter aus*.
- Überprüfen Sie das Spiel im Ventil**.
- Tauschen Sie die Zündkerze aus.
- Reinigen Sie den Kraftstofffilter**.
- Reinigen Sie die Verbrennungskammer**.
- Stellen Sie den Leerlauf ein**.
- Überprüfen Sie den Kraftstoffkreislauf**.

* Reinigen Sie öfters, wenn Sie die Maschine in staubigen oder verunreinigten Umgebungen eingesetzt haben.

** Nicht notwendig, außer bei Leistungsproblemen (Ausführung nur durch zugelassene Werkstätten).

EN

BG

HR

CZ

DA

NL

ET

FI

FR

DE

GR

HU

IT

LV

LT

NO

PL

PT

RO

RU

SK

SL

ES

SE

TR

UK



Bewegen



Den Motor stoppen.

A Stellen Sie das Rad in die Transportposition.

B Stellen Sie die Handgriffe in die untere Position, um die Maschine einfacher zu bewegen.

C Heben Sie mit Hilfe der Handgriffe die Klängen vom Boden an und bewegen Sie sich nach vorne.

EN

BG

HR

CZ

DA

NL

ET

FI

FR

DE

GR

HU

IT

LV

LT

NO

PL

PT

RO

RU

SK

SL

ES

SE

TR

UK

- EN
- BG
- HR
- CZ
- DA
- NL
- ET
- FI
- FR
- DE**
- GR
- HU
- IT
- LV
- LT
- NO
- PL
- PT
- RO
- RU
- SK
- SL
- ES
- SE
- TR
- UK



EU-KONFORMITÄTSERKLÄRUNG



Für die folgenden Maschinen

Produktbezeichnung: Motorhacke
 Handelsbezeichnung: N/A
 Funktion: Motorhacke (ohne angetriebene Räder)
 Typ: Benzin
 Modellnr.: MFT85 210R
 Seriennummer: 16H190570

Hiermit wird die Einhaltung aller relevanten Maßnahmen der

Maschinenrichtlinie (2006/42/EC)

und der folgenden harmonisierten Norm bestätigt

EN 709: 1997 + A4: 2009
 EN 709: 1997 + A4/AC:2012

Hiermit wird die Einhaltung aller relevanten Maßnahmen der

Richtlinie „über elektromagnetische Verträglichkeit“ (2014/30/EU)

und der folgenden harmonisierten Norm bestätigt

EN ISO 14982: 2009

Verantwortlich für die Markierung der Erklärung ist

Herstellername: Husqvarna AB
 Herstelleradresse: SE561 82 Huskvarna, Schweden

Für die Zusammenstellung der technischen Dateien, die innerhalb der EU erstellt wurden, verantwortliche Person

Name, Nachname : Husqvarna AB
 Adresse : SE561 82 Huskvarna, Schweden

Vor die Erstellung dieser Erklärung verantwortliche Person

Name, Nachname : John Thompson
 Position/Titel : Leiter der Produkt- und Marketingabteilung, Abteilung Verbraucher EUAP
 Ort : Husqvarna UK Ltd, Preston Road
 Aycliffe Industrial Park. Newton Aycliffe
 Co.Durham,DL5 6UP
 Datum : 15. November 2016

 (Firmenstempel und Unterschrift)

Δώστε ιδιαίτερη προσοχή στις ενότητες με τις εξής επισημάνσεις:



ΚΙΝΔΥΝΟΣ: Υποδεικνύει μεγάλη πιθανότητα σοβαρού ή ακόμα και θανατηφόρου τραυματισμού εάν δεν τηρηθούν οι οδηγίες.

ΠΡΟΕΙΔΟΠΟΙΗΣΗ: Υποδεικνύει κίνδυνο τραυματισμού ή πρόκλησης ζημιάς στον εξοπλισμό εάν δεν τηρηθούν οι οδηγίες.

ΣΗΜΕΙΩΣΗ: Υποδεικνύει χρήσιμες πληροφορίες.



Αυτό το σύμβολο σας υπενθυμίζει να είστε προσεκτικοί με ορισμένες εργασίες.

Εάν αντιμετωπίζετε προβλήματα ή έχετε ερωτήσεις σχετικά με τον καλλιεργητή, επικοινωνήστε με τον εγκεκριμένο προμηθευτή σας.



ΚΙΝΔΥΝΟΣ: Το μηχάνημα έχει σχεδιαστεί για ασφαλή και αξιόπιστη λειτουργία εάν χρησιμοποιείται σύμφωνα με τις οδηγίες. Πριν χρησιμοποιήσετε το μηχάνημα, βεβαιωθείτε ότι έχετε κατανοήσει τα περιεχόμενα αυτού του χειριδίου. Διαφορετικά, υπάρχει κίνδυνος να τραυματιστείτε και να προκληθεί ζημιά στον εξοπλισμό σας.

Εκπαίδευση/πληροφορίες

Εξοικειωθείτε με τη σωστή χρήση και τα χειριστήρια πριν από τη χρήση του μηχανήματος. Μάθετε πώς να διακόπτετε γρήγορα τη λειτουργία του κινητήρα.

Το μηχάνημα πρέπει να χρησιμοποιείται πάντα σύμφωνα με τις συστάσεις που παρέχονται στο χειριδίδιο οδηγιών.

Μην ξεχνάτε ότι ο χρήστης είναι υπεύθυνος για τυχόν ατυχήματα ή επικίνδυνες αντιδράσεις που μπορούν να προκληθούν σε άλλα άτομα ή στην περιουσία του. Αποτελεί δική του ευθύνη να αξιολογήσει τους πιθανούς κινδύνους του εδάφους που πρόκειται να καθαριστεί και να λάβει όλες τις απαραίτητες προφυλάξεις για την ασφάλεια των εργασιών, ιδιαίτερα σε πλαγιές και σε χαλαρό, ολισθηρό ή ανώμαλο έδαφος.

Μην επιτρέπετε ποτέ σε παιδιά ή άτομα που δεν έχουν εξοικειωθεί με αυτές τις οδηγίες να χρησιμοποιήσουν το μηχάνημα. Ενδέχεται να υπάρχει τοπική νομοθεσία που καθορίζει την ελάχιστη ηλικία των χρηστών.

Μην εργάζεστε ποτέ σε περιόδους στην οποίες υπάρχουν άτομα, ιδιαίτερα παιδιά, ή ζώα σε ακτίνα 20 μέτρων από το μηχάνημα. Ο χειριστής πρέπει απαραίτητα να διατηρεί τον έλεγχο των χειριστηρίων στις λαβές.

Μην χρησιμοποιείτε το μηχάνημα εάν παίρνετε φάρμακα ή άλλες ουσίες που θα μπορούσαν να επιβραδύνουν τις αντιδράσεις σας ή να σας προκαλέσουν υπνηλία.

Δώστε ιδιαίτερη προσοχή όταν εργάζεστε σε σκληρό έδαφος, καθώς η σταθερότητα του μηχανήματος μειώνεται σημαντικά σε σύγκριση με το καλλιεργημένο έδαφος.

Φοράτε πάντα ανθεκτικά, αντιολισθητικά παπούτσια και στενό, μακρύ παντελόνι όταν εργάζεστε. Μην χρησιμοποιείτε το μηχάνημα με γυμνά πόδια ή φορώντας σανδάλια. Συνιστάται η χρήση προστασίας για τα αυτιά.

Χρησιμοποιείτε το μηχάνημα για το σκοπό για τον οποίο έχει σχεδιαστεί, δηλαδή για το εκσκαφή του εδάφους. Οποιαδήποτε άλλη χρήση μπορεί να είναι επικίνδυνη ή να προκαλέσει ζημιά στο μηχάνημα.

Προετοιμασία

Επιθεωρήστε προσεκτικά την περιοχή όπου θα χρησιμοποιηθεί το μηχάνημα και αφαιρέστε τυχόν αντικείμενα που θα μπορούσαν να εκτοξευτούν από το μηχάνημα (πέτρες, σύρματα, γυαλιά, μεταλλικά αντικείμενα κ.λπ.).

Πριν από τη χρήση, ελέγχετε πάντα το μηχάνημα για να διασφαλίσετε ότι δεν υπάρχουν φθαρμένα ή κατεστραμμένα εργαλεία. Αντικαταστήστε τα φθαρμένα ή κατεστραμμένα μέρη.

Διατηρήστε σε καλή κατάσταση τα ηλεκτρικά καλώδια που διακόπτουν τη λειτουργία του κινητήρα, ώστε να είστε σίγουροι ότι μπορείτε να απενεργοποιήσετε τον κινητήρα.

Βεβαιωθείτε ότι δεν υπάρχει διαρροή βενζίνης ή λαδιού.

Μην χρησιμοποιείτε το μηχάνημα χωρίς τα προστατευτικά περιβλήματα και βεβαιωθείτε ότι όλα τα εξαρτήματα είναι σφιγμένα.

Χρήση

Μην μεταφέρετε ποτέ άτομα στο μηχάνημα.

Να είστε προσεκτικοί κατά την εκκίνηση του κινητήρα. Ακολουθήστε τις οδηγίες του κατασκευαστή και διατηρήστε τα πόδια σας μακριά από τις λεπίδες.

Διακόψτε τη λειτουργία του κινητήρα όταν το μηχάνημα δεν χρησιμοποιείται.

Να περπατάτε και να μην τρέχετε όταν κρατάτε το μηχάνημα.

Να είστε ιδιαίτερα προσεκτικοί όταν τραβάτε το μηχάνημα προς το μέρος σας ή όταν αντιστρέφετε την κατεύθυνση της περιστροφής (εάν θέλετε).

Διατηρήστε απόσταση ασφαλείας από τις περιστρεφόμενες λεπίδες, που ορίζεται από το μήκος της κολόνας του συστήματος διεύθυνσης.

Μην τοποθετείτε τα χέρια ή τα πόδια σας κοντά ή κάτω από κινούμενα μέρη.

Εάν υπάρχουν:

- ασυνήθιστοι κραδασμοί,
- εμπόδια,
- προβλήματα με τη σύμπλεξη ή την αποσύμπλεξη του συμπλέκτη,
- πρόσκρουση με ξένο αντικείμενο,
- φθορά του καλωδίου ακινητοποίησης του κινητήρα

Διακόψτε αμέσως τη λειτουργία του κινητήρα (εάν έχει κοπεί το καλώδιο ακινητοποίησης του κινητήρα, διακόψτε τη λειτουργία χρησιμοποιώντας το χειριστήριο της μίζας, όπως περιγράφεται στην παράγραφο "Εκκίνηση του κινητήρα"), αφήστε το μηχάνημα να κρυώσει, αποσυνδέστε το καλώδιο του μπουζί, επιθεωρήστε το μηχάνημα και ζητήστε από ένα εγκεκριμένο κέντρο επισκευών να πραγματοποιήσει τις απαραίτητες επισκευές πριν το χρησιμοποιήσετε ξανά.

Να εργάζεστε μόνο στο φως της ημέρας ή με καλό τεχνητό φωτισμό.

Μην χρησιμοποιείτε το μηχάνημα σε πλαγιές με κλίση μεγαλύτερη από 20°.

Να εργάζεστε σε επιφάνειες πλαγιές κατά μήκος και όχι προς τα επάνω ή κάτω.

Φροντίζετε να βαδίζετε προσεκτικά σε κεκλιμένο έδαφος και να αλλάζετε κατεύθυνση πολύ προσεκτικά.

Η χρήση άλλων αξεσουάρ εκτός από αυτά που προτείνονται ενδέχεται να καταστήσει το μηχάνημα επικίνδυνο ή να προκαλέσει βλάβη στο μηχάνημα σας, η οποία δεν θα καλύπτεται από την εγγύηση.

Συντήρηση/αποθήκευση

Διακόψτε τη λειτουργία του κινητήρα και αποσυνδέστε το μπουζί πριν από τον καθαρισμό, την επιθεώρηση, τη ρύθμιση ή τη συντήρηση του μηχανήματος ή πριν από την αλλαγή εργαλείων.

Διακόψτε τη λειτουργία κινητήρα, αποσυνδέστε το μπουζί και χρησιμοποιήστε χοντρά γάντια κατά την αλλαγή των εργαλείων.

Διατηρείτε όλα τα παξιμάδια και τα μπουλόνια σφιγμένα, για να διασφαλίσετε τις ασφαλείς συνθήκες χρήσης.

Για να μειωθεί ο κίνδυνος πυρκαγιάς, διατηρείτε τον κινητήρα, το σιγαστήρα και την περιοχή αποθήκευσης καυσίμου καθαρά από φυτά, απόβλητα λαδιού ή οποιοδήποτε άλλο εύφλεκτο υλικό.

Εάν ο σιγαστήρας της εξάτμισης είναι ελαττωματικός, ζητήστε την αντικατάστασή του από ένα εγκεκριμένο κέντρο επισκευών.

Μην επιδιορθώνετε εξαρτήματα. Αντικαταστήστε τα με ανταλλακτικά του κατασκευαστή.

Αντικαταστήστε τις λεπίδες κοπής σε πλήρη σετ για να διατηρείται η απαραίτητη ισοροπία.

Για τη δική σας ασφάλεια, μην τροποποιείτε τα χαρακτηριστικά του μηχανήματός σας. Μην αλλάζετε τις ρυθμίσεις των στροφών κινητήρα και μην λειτουργείτε τον κινητήρα σε υπερβολικά υψηλές στροφές. Η τακτική συντήρηση είναι απαραίτητη για την ασφάλεια και τη διατήρηση του επιπέδου της απόδοσης.

Αφήστε τον κινητήρα να κρυώσει πριν αποθηκεύσετε το μηχάνημα.

Κίνδυνος! Η βενζίνη είναι εξαιρετικά εύφλεκτη!

Αποθηκεύετε το καύσιμο σε δοχεία καυσίμου που έχουν σχεδιαστεί ειδικά για αυτόν το σκοπό. Γεμίστε το ντεπόζιτο με καύσιμο σε εξωτερικούς χώρους και μην καπνίζετε κατά τη διάρκεια αυτής της διαδικασίας.

Μην ξεβιδώνετε την τάπα καυσίμου και μην συμπληρώνετε βενζίνη ενώ ο κινητήρας λειτουργεί ή είναι ακόμα ζεστός.

Σε περίπτωση διαρροής βενζίνης στο έδαφος, μην προσπαθήσετε να θέσετε σε λειτουργία τον κινητήρα. Μεταφέρετε το μηχάνημα σε άλλο χώρο και αποφύγετε τις ακάλυπτες φλόγες μέχρι να εξατμιστούν οι αναθυμιάσεις της βενζίνης.

Αποθηκεύστε το μηχάνημα σε στεγνό χώρο. Μην αποθηκεύετε ποτέ το μηχάνημα σε κτίριο όπου οι αναθυμιάσεις της βενζίνης μπορεί να έρθουν σε επαφή με ακάλυπτες φλόγες, σπινθήρες ή πηγές έντονης θερμότητας.

Επανατοποθετήστε σωστά τις τάπες στο ντεπόζιτο καυσίμου και στο δοχείο βενζίνης.

Περιορίστε την ποσότητα της βενζίνης στο ντεπόζιτο για τη μείωση των διαρροών.

Μην θέτετε σε λειτουργία τον κινητήρα σε περιορισμένο χώρο, όπου ενδέχεται να υπάρξει συσσώρευση αναθυμιάσεων μονοξειδίου του άνθρακα.

Το μονοξείδιο του άνθρακα μπορεί να είναι θανατηφόρο. Εξασφαλίστε επαρκή εξαερισμό.

Μεταφορά, χειρισμός μεταφοράς

Οποιαδήποτε ενέργεια στο μηχάνημα εκτός από την εκσκαφή εδάφους πρέπει να εκτελείται με τον κινητήρα απενεργοποιημένο.

Εκτός από τη χρήση του για εκσκαφή εδάφους, το μηχάνημα πρέπει να μετακινείται χρησιμοποιώντας τον τροχό μεταφοράς, όπως περιγράφεται στο κεφάλαιο "Μετακίνηση".

Χειρισμός: Μην προσπαθήσετε να ανασκώσετε το μηχάνημα. Το βάρος του μηχανήματος αναγράφεται στην πινακίδα του κατασκευαστή, όπως αναφέρεται στο τέλος αυτού του χειριδίου. Χρησιμοποιήστε μια μέθοδο χειρισμού σύμφωνα με το βάρος του μηχανήματος και την κατάσταση που να εγγυάται την ασφάλεια.

Κατά τη φόρτωση ή την εκφόρτωση του μηχανήματος από ρυμουλκούμενο, χρησιμοποιήστε μια κατάλληλη ράμπα. Προσδέστε το μηχάνημα σωστά για ασφαλή μεταφορά.

Το μηχάνημα θα πρέπει να μεταφέρεται σε ρυμουλκούμενο. Μην χρησιμοποιείτε οποιαδήποτε άλλη μέθοδο μεταφοράς.

EN

BG

HR

CZ

DA

NL

ET

FI

FR

DE

GR

HU

IT

LV

LT

NO

PL

PT

RO

RU

SK

SL

ES

SE

TR

UK

ΟΡΙΣΜΟΣ ΕΙΚΟΝΟΓΡΑΜΜΑΤΩΝ

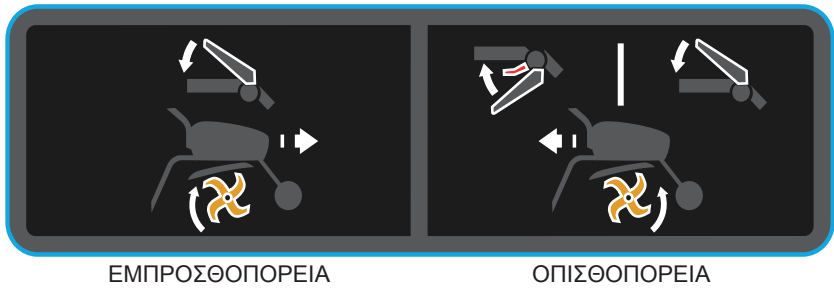
ΠΡΟΕΙΔΟΠΟΙΗΣΗ
Κίνδυνος

ΠΡΟΕΙΔΟΠΟΙΗΣΗ
Διατηρήστε απόσταση ασφαλείας

ΠΡΟΕΙΔΟΠΟΙΗΣΗ
Περιστρεφόμενα εργαλεία

ΠΡΟΕΙΔΟΠΟΙΗΣΗ
Συμβουλευθείτε το εγχειρίδιο χρήσης και αφαιρέστε το μπουζί πριν εκτελέσετε οποιαδήποτε εργασία.

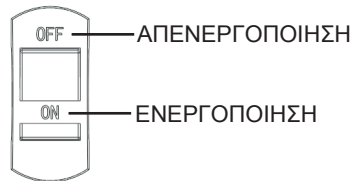
ΠΡΟΕΙΔΟΠΟΙΗΣΗ
Διαβάστε το εγχειρίδιο χρήσης



ΕΜΠΡΟΣΘΟΠΟΡΕΙΑ

ΟΠΙΣΘΟΠΟΡΕΙΑ

Διακόπτης διακοπής λειτουργίας



Εγγυημένη στάθμη ηχητικής ισχύος

Απαιτείται χρήση προστασίας αυτιών.

ΤΕΧΝΙΚΕΣ ΠΛΗΡΟΦΟΡΙΕΣ

Μοντέλο	MFT85 210R	Ονομαστική ισχύς hp (kW) @ rpm	4,8 (3,6) σε 3100
Πλάτος φρεζαρίσματος (mm)	780	Μηχανισμός μετάδοσης	-1,0,1
Βάθος φρεζαρίσματος (mm)	100-200	Λάδι συστήματος μετάδοσης κίνησης	Γράσο
Τύπος κινητήρα	McCulloch 210 (WM170F-2/P)	Μικτό βάρος (kg)	65,0
Καύσιμο	Βενζίνη	Καθαρό βάρος (kg)	60,0
Χωρητικότητα ντεπόζιτου καυσίμου (L)	3,60	Διαστάσεις συσκευασίας (mm)	780x500x660
Χωρητικότητα λαδιού (L)	0,35	Πιστοποίηση	EK (CE), EAC
Εκτόπισμα	212 cc	Εγγυημένο επίπεδο ακουστικής πίεσης	2 dB(A)
Επίπεδο ηχητικής πίεσης	78 dB(A)	Αβεβαιότητα κραδασμών	2%
Επίπεδο ηχητικής ισχύος	98 dB(A)	Τιμή κραδασμών λαβής	Αριστερή λαβή: 7,2 mm/s ² Δεξιά λαβή: 7,4 mm/s ²
Αβεβαιότητα θορύβου	2 dB(A)		

ΑΠΟΣΥΣΚΕΥΑΣΙΑ/ΣΥΝΑΡΜΟΛΟΓΗΣΗ

Σημείωση: Στο πλαίσιο της σταθερής βούλησης για τη βελτίωση των προϊόντων, ο κατασκευαστής δηλώνει ότι οι πληροφορίες στο σύνολο του παρόντος εγχειριδίου δεν είναι συμβατικές και διατηρεί το δικαίωμα να τροποποιήσει τις προδιαγραφές των μηχανημάτων χωρίς προειδοποίηση.



1.1

Αποσυσκευασία



ΠΡΟΕΙΔΟΠΟΙΗΣΗ:

Προσέξτε να μην κόψετε τα καλώδια και να μην προξενήσετε γρατσουνιές στη βαφή του μηχανήματος καθώς κόβετε τα άκρα του κιβωτίου.

Αναφ.	Περιεχόμενα κιβωτίου
A	Εξάρτημα κινητήρα
B	Ράβδος αντίστασης
C	Εμπρός τροχός
D	Σωλήνας βάσης
E	Κάλυμμα ράγας χειρολαβών
F	Κομβίο
G	Κάλυμμα τακτοποίησης
H	Κύρια λεπίδα, δεξιά
I	Κύρια λεπίδα, αριστερά
J	Ράγα
K	Κάλυμμα λεπίδων
L	Θήκη εργαλείων
M	Προφυλακτήρας φυτών
N	Δευτερεύουσα λεπίδα-1, αριστερά
O	Δευτερεύουσα λεπίδα-1, δεξιά
P	Δευτερεύουσα λεπίδα-2, αριστερά
Q	Δευτερεύουσα λεπίδα-2, δεξιά



1.2

Συναρμολόγηση



ΠΡΟΕΙΔΟΠΟΙΗΣΗ:

Η ακατάλληλη συναρμολόγηση της περιστροφικής μοτοσάπας μπορεί να προκαλέσει σοβαρούς τραυματισμούς. Βεβαιωθείτε ότι ακολουθείτε όλες τις οδηγίες προσεκτικά.

1 Τοποθέτηση καλύμματος λεπίδων.

2 Τοποθέτηση πρώτης ομάδας λεπίδων.

Βεβαιωθείτε ότι τα αιχμηρά άκρα έχουν τοποθετηθεί στη μία πλευρά.

3 Τοποθέτηση ράβδου αντίστασης.

4 Τοποθέτηση μπροστινού τροχού.

5 Τοποθέτηση σωλήνα βάσης.

6 Τοποθέτηση ράγας.

7 Τοποθέτηση καλύμματος στη ράγα χειρολαβών.

8 Τοποθέτηση καλύμματος τακτοποίησης.

9 Τοποθέτηση δεύτερης ομάδας λεπίδων - δεξιά.

10 Τοποθέτηση δεύτερης ομάδας λεπίδων - αριστερά.

11 12 Τοποθέτηση τρίτης ομάδας λεπίδων- αριστερά και δεξιά.

13 14 Τοποθέτηση προφυλακτήρα φυτών.



Προειδοποίηση:

Μετά την πλήρη συναρμολόγηση του μηχανήματος, σφίξτε όλα τα μπουλόνια και βίδες με μέτρια ένταση. Μην σφίγγετε υπερβολικά.

Σημείωση: Οποιαδήποτε εργασία αποσυναρμολόγησης πρέπει να εκτελείται μόνο από εγκεκριμένο συνεργείο.



1.3

Περιγραφή εξαρτημάτων

- 1 - Κινητήρας
- 2 - Λαβή συμπλέκτη
- 3 - Κάλυμμα ράγας χειρολαβών
- 4 - Διακόπτης ON/OFF
- 5 - Προφυλακτήρας φυτών
- 6 - Χειριστήριο γκαζιού
- 7 - Σετ λαβών
- 8 - Μοχλός αλλαγής ταχυτήτων
- 9 - Λεπίδες
- 10 - Ράβδος αντίστασης
- 11 - Εμπρός τροχός



1.4

Πινακίδα ταυτοποίησης μηχανήματος



1.5

Τροχός μεταφοράς

A=Θέση εργασίας.
B=Θέση μεταφοράς.

ΕΚΚΙΝΗΣΗ ΤΟΥ ΜΗΧΑΝΗΜΑΤΟΣ



2.1

Πλήρωση με λάδι κινητήρα και έλεγχος της στάθμης



2.2

Συμπλήρωση βενζίνης



2.3

Έγχυση λαδιού στην καθορισμένη θέση



2.4

Άνοιγμα του διακόπτη βενζίνης



2.5

Τοποθετήστε το τσοκ στη θέση A



2.6

Χειριστήριο γκαζιού

Τοποθετήστε το μοχλό στη θέση:

H



2.7

Τοποθετήστε το διακόπτη ON/OFF στη θέση "ON"



2.8

Τραβήξτε το κορδόνι επανατύλιξης της λαβής συστήματος εκκίνησης



2.9

Τοποθετήστε το τσοκ στη θέση B



Προειδοποίηση:

Όταν ξεκινήσει το μηχάνημα, παραμείνετε εντός της ζώνης ασφαλείας.

EN

BG

HR

CZ

DA

NL

ET

FI

FR

DE

GR

HU

IT

LV

LT

NO

PL

PT

RO

RU

SK

SL

ES

SE

TR

UK

ΧΡΗΣΗ



3.1

Μετακίνηση προς τα εμπρός

1. Αφήστε το συμπλέκτη οπισθοπορείας στην ίδια θέση.
- 2-A. Απασφαλίστε τη λαβή συμπλέκτη.
- 2-B. Πατήστε τη λαβή συμπλέκτη



Διατηρήστε ζώνη ασφαλείας σε ακτίνα 20 m γύρω από το μηχάνημα.



3.2

Οπισθοπορεία

- 1-A. Αλλάξτε τη θέση του κόκκινου διακόπτη οπισθοπορείας
- 1-B. Πιέστε τη λαβή οπισθοπορείας
- 2-A. Απασφαλίστε τη λαβή συμπλέκτη.
- 2-B. Πατήστε τη λαβή συμπλέκτη



Διατηρήστε ζώνη ασφαλείας σε ακτίνα 20 m γύρω από το μηχάνημα.



Η χρήση της οπισθοπορείας είναι επικίνδυνη. Βεβαιωθείτε ότι δεν υπάρχουν εμπόδια πίσω σας και μειώστε τις στροφές του κινητήρα πριν χρησιμοποιήσετε το συμπλέκτη.

ΔΙΑΚΟΠΗ ΛΕΙΤΟΥΡΓΙΑΣ



4.1

Διακοπή λειτουργίας των περιστρεφόμενων εργαλείων

Αφήστε το μοχλό συμπλέκτη.



4.3

Διακοπή λειτουργίας του κινητήρα

Τοποθετήστε το διακόπτη ON/OFF στη θέση "OFF".



4.5

Κλείσιμο της τάπας καυσίμου



4.2

Μειώστε το γκάζι

Τοποθετήστε το χειριστήριο

γκαζιού στη θέση:



4.4

Τοποθετήστε το τσοκ στη θέση A

ΠΙΝΑΚΑΣ ΣΥΝΤΗΡΗΣΗΣ

Καθημερινός έλεγχος

Πριν θέσετε σε λειτουργία τον κινητήρα, ελέγξτε τα παρακάτω σημεία.

- Δεν πρέπει να υπάρχουν χαλαρά ή σπασμένα παξιμάδια ή μπουλόνια.



4.5

- Ελέγξτε την καθαριότητα του στοιχείου φίλτρου αέρα



Μην χρησιμοποιείτε εύφλεκτα διαλυτικά για να καθαρίσετε το αφρώδες στοιχείο του φίλτρου αέρα.



2.1

- Ελέγξτε τη στάθμη του λαδιού λίπανσης

- Δεν υπάρχουν διαρροές βενζίνης ή λαδιού λίπανσης.



2.2

- Επαρκής ποσότητα βενζίνης

- Διατηρείτε το μηχάνημα καθαρό.

- Προστασία του περιβάλλοντος.

- Δεν υπάρχουν ασυνήθιστοι κραδαμοί ή υπερβολικός θόρυβος.

Μετά τις πρώτες 20 ώρες ή κάθε μήνα

- Αλλάξτε το λάδι λίπανσης του κινητήρα και του κιβωτίου ταχυτήτων.

Κάθε 50 ώρες ή κάθε 3 μήνες

- Καθαρίστε το φίλτρο αέρα* (2 Εικ. 4.5).

Κάθε 100 ώρες ή κάθε 6 μήνες

- Καθαρίστε το φίλτρο.
- Αλλάξτε το λάδι λίπανσης του κινητήρα και του κιβωτίου ταχυτήτων.
- Καθαρίστε το μπουζί.
- Καθαρίστε το προστατευτικό του μπουζί.

Κάθε 300 ώρες ή μία φορά το χρόνο

- Αντικαταστήστε το φίλτρο αέρα*.
- Ελέγξτε το διάκενο της βαλβίδας**.
- Αντικαταστήστε το μπουζί.
- Καθαρίστε το φίλτρο καυσίμου**.
- Καθαρίστε το θάλαμο καύσης**.
- Ρυθμίστε το ρελαντί**.
- Ελέγξτε το κύκλωμα καυσίμου**.

* Καθαρίζετε πιο συχνά σε συνθήκες χρήσης όπου υπάρχει πολλή σκόνη ή στον αέρα ή εναέριοι ρύποι.

** Δεν απαιτείται, εκτός από την περίπτωση προβλημάτων απόδοσης (πρέπει να διεξάγεται από εγκεκριμένο συνεργείο).

EN

BG

HR

CZ

DA

NL

ET

FI

FR

DE

GR

HU

IT

LV

LT

NO

PL

PT

RO

RU

SK

SL

ES

SE

TR

UK



Μεταφορά



Διακόψτε τη λειτουργία του κινητήρα.

A Τοποθετήστε τον τροχό στη θέση κίνησης.

B Ρυθμίστε τις χειρολαβές στη χαμηλή θέση για να διευκολύνετε τη μετακίνηση του μηχανήματος.

C Ανασηκώστε τις λεπίδες από το έδαφος χρησιμοποιώντας τις χειρολαβές και κατόπιν προχωρήστε προς τα εμπρός.

EN

BG

HR

CZ

DA

NL

ET

FI

FR

DE

GR

HU

IT

LV

LT

NO

PL

PT

RO

RU

SK

SL

ES

SE

TR

UK



ΔΗΛΩΣΗ ΣΥΜΜΟΡΦΩΣΗΣ ΕΚ



Το παρακάτω μηχάνημα

Όνομασία προϊόντος: Μοτοσάππα
 Εμπορική ονομασία: Μ/Δ
 Λειτουργία: Μοτοσάππα (χωρίς κινητήριους τροχούς)
 Τύπος: Βενζίνης
 Αρ. μοντέλου: MFT85 210R
 Αρ. σειράς: 16H190570

επιβεβαιώνεται ότι πληροί όλες τις σχετικές διατάξεις της

Οδηγίας περί Μηχανημάτων (2006/42/ΕΚ)

και συμμορφώνεται με τα παρακάτω εναρμονισμένα πρότυπα

EN 709: 1997 + A4: 2009
 EN 709: 1997 + A4/AC:2012

επιβεβαιώνεται ότι πληροί όλες τις σχετικές διατάξεις της

Οδηγίας περί Ηλεκτρομαγνητικής Συμβατότητας (2014/30/ΕΕ)

και συμμορφώνεται με το παρακάτω εναρμονισμένο πρότυπο:

EN ISO 14982: 2009

Υπεύθυνος για τη δημιουργία της παρούσας δήλωσης

Επωνυμία κατασκευαστή : Husqvarna AB
 Διεύθυνση κατασκευαστή : SE561 82 HUSKVARNA SWEDEN

Υπεύθυνο άτομο για την κατάρτιση των τεχνικών αρχείων σύμφωνα με τις απαιτήσεις της ΕΕ

Όνομα, επώνυμο : Husqvarna AB
 Διεύθυνση : SE561 82 HUSKVARNA SWEDEN

Υπεύθυνο άτομο για τη δημιουργία της παρούσας δήλωσης

Όνομα, επώνυμο : John Thompson
 Θέση/Τίτλος : Διευθυντής προϊόντων και μάρκετινγκ, Τμήμα καταναλωτικών προϊόντων EUAP
 Τοποθεσία : Husqvarna UK Ltd, Preston Road
 Aycliffe Industrial Park. Newton Aycliffe
 Co.Durham, DL5 6UP
 Ημερομηνία : 15 Νοεμβρίου 2016

(Σφραγίδα εταιρείας και νόμιμη υπογραφή)

BIZTONSÁGI ÓVINTÉZKEDÉSEK

Fordítson különös figyelmet az alábbi módon jelzett szakaszokra:



VESZÉLY: Súlyos, akár végzetes személyi sérülés eshetőségét jelzi, ha az utasításokat nem követi a felhasználó.

FIGYELMEZTETÉS: Személyi sérülés vagy a berendezés károsodásának veszélyét jelzi, ha az utasításokat nem követi a felhasználó.

MEGJEGYZÉS: Hasznos információkat jelöl.



Ez a jelzés arra emlékezteti, hogy bizonyos műveleteket fokozott körültekintéssel kell végezni.

Ha probléma vagy kérdés merülne fel a kultivátorral kapcsolatban, forduljon a hivatalos képviselőhöz.



VESZÉLY: A gép biztonságosan és megbízhatóan szolgálja Önt, ha az utasítások szerint használja. Mielőtt használatba venné a gépet, feltétlenül olvassa el a jelen kézikönyvet. Ha ezt elmulasztja, személyi sérülést szenvedhet és a berendezése is károsodhat.

Képzés és tájékoztatás

A gép használata előtt ismerkedjen meg annak megfelelő használatával és a kezelőszervekkel. Legyen tisztában azzal, hogy miként állíthatja le gyorsan a motort.

A gépet mindig a jelen utasításban szereplő ajánlások szerint kell használni.

Ne feledje, hogy más személyek vagy vagyontárgaik veszélyeztetéséért, illetve a sérelmükre bekövetkezett balesetekért a felhasználó a felelős. Az ő felelőssége annak megítélése, hogy a talajt meg kell-e tisztítani, valamint, hogy minden óvintézkedést megtegyen a biztonság érdekében, különösen lejtős és laza, csúszós vagy egyenetlen talaj esetén.

Soha ne engedje, hogy gyermekek, vagy a kezelési utasításokat nem ismerő személyek használják a terméket. Törvény is előírhatja a felhasználó minimális életkorát.

Ne dolgozzon olyan területen, ahol a gép 20 méter sugarú körzetében emberek (különösen gyermekek) vagy állatok tartózkodnak; a kezelőnek a fogantyúkon található kezelőszerveknél kell maradnia.

Ne használja a gépet, ha olyan gyógyszert vagy más szert fogyaszt, ami lassíthatja a reakcióit vagy álmosíthatja.

Különösen ügyeljen a kemény talajra, mert a gép hajlamos elveszíteni a stabilitását a megművelt talajon.

Viseljen mindig stabil, csúszásmentes lábbelit és szorosan illeszkedő hosszú nadrágot a munka során. Ne használja a gépet mezítláb vagy szandálban. Fülvédő használata is javasolt.

A gépet használja arra a feladatra, amire tervezték – a talaj feladására. Minden egyéb használat veszélyes lehet vagy a gép károsodását okozhatja.

Előkészületek

Vizsgálja át alaposan a területet, ahol a gépet használni fogja, és távolítsa el minden olyan objektumot, amit a gép kidobhat (kövek, huzal, üveg, fém tárgyak stb.).

Használat előtt mindig nézze át a gépet, hogy a szerszámok nem kopottak vagy sérültek-e, cseréljen ki minden elhasznált vagy sérült alkatrészt.

Tartsa megfelelő állapotban a motort leállító vezetékeket, hogy azok biztosan leállítsák a motort, amikor kell.

Ellenőrizze, hogy nincs benzin- vagy olajszivárgás.

Ne használja a gépet védőburkolatok nélkül, és gondoskodjon róla, hogy a szerelvényei szorosan meg legyenek húzva.

Használat

Ne szállítson senkit a gépen.

Kellő körültekintéssel indítsa be a motort, követve a gyártó utasításait, és tartsa távol a lábát a kés(ek)től.

Állítsa le a motort, ha a gép nincs használatban.

Amikor a gépet tartja, csak gyalogoljon, ne fusson.

Járjon el fokozott körültekintéssel, amikor a gépet maga felé húzza, vagy megfordítja a forgásirányát (ha lehet).

Tartson biztonságos távolságot a forgó késektől, amit a kormányoszlop segítségével állíthat be.

Ne tegye a kezét vagy a lábát a forgó alkatrészek közelébe vagy alá.

Az alábbiak esetén:

- rendellenes rezgés,
- elakadás,
- probléma a tengelykapcsoló bekapcsolása vagy oldása közben,
- ütközés idegen tárggyal,
- a motorleállító bovden elhasználódása,

azonnal állítsa le a motort (ha a motorleállító bovden megsérült, a motor leállításához használja az indítás kezelőszerveit, lásd a motor beindítását taglaló részt), hagyja a gépet lehűlni, húzza le a gyertyapipát, vizsgálja át a gépet, és mielőtt újra használatba venné, végeztesse el rajta a szükséges javításokat egy jóváhagyott javítóműhellyel.

A gépet csak nappali fénynél vagy jó mesterséges megvilágításánál használja.

Ne használja a gépet 20°-nál meredekebb lejtőn.

A lejtőkön keresztirányban dolgozzon, ne felfele vagy lefele haladva.

Lejtős területen ügyeljen a gép kezelésére, nagyon óvatosan végezze az irányváltást.

A javasoltól eltérő tartozékok használata a gépet veszélyessé teheti és oly módon károsíthatja, amire nem terjed ki a garancia.

Karbantartás/tárolás

Állítsa le a motort és húzza le a gyertyapipát, mielőtt a gép tisztításába, vizsgálatába, beállításába vagy karbantartásába kezd, vagy szerszámot cserél rajta.

Szerszámcsere esetén állítsa le a motort, húzza le a gyertyapipát és vegyen fel vastag védőkesztyűt.

Mindig legyen minden anya és csavar szorosan meghúzva, ezzel gondoskodva a berendezés biztonságos üzemállapotáról.

A tűzveszély csökkentése érdekében tartsa a motort, a hangtompító és az üzemanyagtartály környékét mentesen a növényzettől, fáradt olajtól és minden egyéb gyúlékony anyagtól.

Ha a hangtompító meghibásodna, cseréltesse ki jóváhagyott javítóműhellyen.

Ne kísérelje meg az alkatrészek javítását; cserélje ki őket a gyártó saját pótalkatréseire.

A vágókéseket szettben cserélje, hogy megmaradjon a kiegyensúlyozottságuk.

A saját biztonsága érdekében ne változtassa meg a gép műszaki jellemzőit. Ne módosítsa a motor fordulatszám-beállításait, és ne járassa a motort túl nagy fordulatszámokon. A biztonság és a teljesítmény megfelelő szintjének fenntartása érdekében fontos a rendszeres karbantartás.

Mielőtt tárolásba helyezi a gépet, mindig várja meg, amíg lehűl a motorja.

Veszély! A benzin nagyon tűzveszélyes!

Csak kifejezetten üzemanyag-tárolásra gyártott tartályban tárolja. Mindig a szabadban töltsse fel az üzemanyagtartályt, és közben ne dohányozzon.

Ne vegye le a tanksapka fedelét és ne tankoljon, amíg a motor jár vagy forró.

Ha benzin került a talajra, ne próbálja meg beindítani a motort; vigye máshova a gépet, és kerülje minden nyílt láng használatát, amíg a benzingőz teljesen elillan.

Tárolja a gépet száraz helyen. Ne tárolja a gépet olyan épületben, ahol a benzingőz lánggal, szikrával vagy intenzív hőforrással találkozhat.

Zárja le az üzemanyagtartályt és a benzinkannát megfelelően.

Ne töltsse teljesen tele az üzemanyagtartályt, hogy csökkenjen a kicsordulás kockázata.

Ne járassa a motort zárt helyen, ahol szén-monoxid gyűlhet fel.

A szén-monoxid végzetes lehet. Gondoskodjon a megfelelő szellőzésről.

Mozgatás, emelés, szállítás

A géppel minden olyan műveletet, ami nem talajművelés, csak leállított motorral szabad végezni.

A gép mozgatását (a talajművelésen kívül) a közlekedő kerekei segítségével kell végezni, lásd a „Mozgatás” című fejezetet.

Emelés: ne próbálkozzon a gép megemelésével. A gép súlya a gyári adattáblán és a jelen kézikönyv végén van feltüntetve. A biztonság szavatolása érdekében használjon mindig a gép tömegéhez és az adott helyzethez megfelelő emelési módszert.

A gép utánfutóra való felrakása vagy onnan lerakása esetén használjon megfelelő rámpát. Kötözze le megfelelően a gépet a biztonságos szállításhoz.

A gépet utánfutón kell szállítani; ne alkalmazzon semmilyen más szállítási módot.

EN

BG

HR

CZ

DA

NL

ET

FI

FR

DE

GR

HU

IT

LV

LT

NO

PL

PT

RO

RU

SK

SL

ES

SE

TR

UK

EN

BG

HR

CZ

DA

NL

ET

FI

FR

DE

GR

HU

IT

LV

LT

NO

PL

PT

RO

RU

SK

SL

ES

SE

TR

UK

A PIKTOGRAMOK ISMERTETÉSE



FIGYELMEZTETÉS
Veszély



FIGYELMEZTETÉS
Tartson biztonságos távolságot



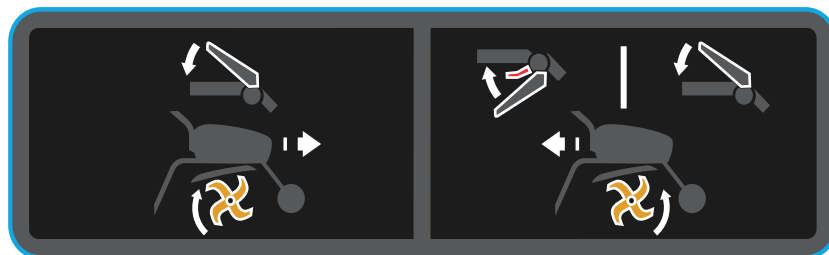
FIGYELMEZTETÉS
Forgó eszközök



FIGYELMEZTETÉS
Olvassa el a kezelői kézikönyvet és vegye le a gyertyapipát, mielőtt bármilyen munkába kezd.



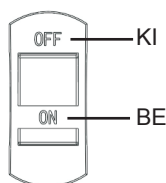
FIGYELMEZTETÉS
Olvassa el a kezelői kézikönyvet



ELŐRE MENET

HÁTRAMENET

Leállítókapcsoló



Garantált hangerőszint



Fülvédő használata kötelező.

MŰSZAKI ADATOK

Modell	MFT85 210R	Névleges teljesítmény, LE (kW)/fordulatszám (f/p)	4,8 (3,6)/3100
Talajművelési szélesség (mm)	780	Sebességi fokozatok	-1,0,1
Talajművelési mélység (mm)	100–200	Hajtóműolaj	Kenőzsír
Motortípus	McCulloch 210 (WM170FB-2/P)	Bruttó tömeg (kg)	65,0
Üzemanyag-keverék	Benzin	Nettó tömeg (kg)	60,0
Üzemanyagtartály űrtartalma (l)	3,60	Csomagolási méret (mm)	780x500x660
Olaj feltöltési mennyiség (l)	0,35	Tanúsítás	CE, EAC
Lökettérfogat	212 cm ³	Garantált akusztikusnyomás-szint	2 dB(A)
Hangnyomásszint	78 dB(A)	Rezgés bizonytalansága	2%
Hangteljesítményszint	98 dB(A)	Fogantyú rezgésének értéke	Bal fogantyú: 7.2 mm/s ² Bal fogantyú: 7.4 mm/s ²
Zaj bizonytalansága	2 dB(A)		

KICSOMAGOLÁS/ÖSSZESZERELÉS

Fontos: A gyártó kijelenti, hogy a jelen kézikönyv nem minősül szerződésesnek, és folyamatos termékfejlesztés iránti elkötelezettségéből kifolyólag fenntartja a jogot a gép műszaki jellemzőinek előzetes értesítés nélküli módosítására.

Kicsomagolás

1.1



FIGYELMEZTETÉS:

Ügyeljen rá, hogy ne vágja el a kábeleket vagy karcolja meg a gép fényezését, amikor a csomagolást bontja.

Ref.	A doboz tartalma
A	Motoralkatrész
B	Fékezőrúd
C	Első kerék
D	Tartórúd
E	Kapaszkodórúd-burkolat
F	Gomb
G	Díszburkolat
H	Fő kultivátorfog, jobb
I	Fő kultivátorfog, bal
J	Kapaszkodórúd
K	Kultivátorfog-burkolat
L	Szerszámzseb
M	Növényvédő
N	1. mellék-kultivátorfog, bal
O	1. mellék-kultivátorfog, jobb
P	2. mellék-kultivátorfog, bal
Q	2. mellék-kultivátorfog, jobb



1.2

Összeszerelés



FIGYELMEZTETÉS:

A rotációs kapa nem megfelelő összeszerelése súlyos személyi sérüléseket okozhat. Feltétlenül kövessen minden utasításokat gondosan.

- 1 A kultivátorfog-burkolat felszerelése.
- 2 Az első kultivátorfog-csoport felszerelése.
Az élek azonos irányba nézzenek.
- 3 A fékezőrúd felszerelése.
- 4 Az első kerék felszerelése.
- 5 A tartórúd felszerelése.
- 6 A kapaszkodórúd felszerelése.
- 7 A kapaszkodórúd-burkolat felszerelése.
- 8 A díszburkolat felszerelése.
- 9 A második kultivátorfog-csoport felszerelése - jobb oldalt.
- 10 A második kultivátorfog-csoport felszerelése - bal oldalt.
- 11 12 A harmadik kultivátorfog-csoport felszerelése – bal és jobb oldalt.
- 13 14 A növényvédő burkolat felszerelése.



Figyelmeztetés:

A gép teljes összeszerelését követően érzéssel húzza meg az összes csavart; ne húzza túl azokat.

Fontos: Minden bontási műveletet kizárólag jóváhagyott szerviz végezhet.



1.3

Az alkatrészek leírása

- 1 -Motor
- 2 -Tengelykapcsoló kar
- 3 -Kapaszkodórúd-burkolat
- 4 -Gyújtáskapcsoló
- 5 -Növényvédő
- 6 -Gázkar
- 7 -Fogantyú egység
- 8 -Fokozatváltó kar
- 9 -Kultivátorfog
- 10 -Fékezőrúd
- 11 -Első kerék



1.4

A gép adattáblája



1.5

Közlekedő kerék

A = munkahelyzet.
B = szállítási helyzet.

A GÉP BEINDÍTÁSA



2.1

Feltöltés motorolajjal és az olajsint ellenőrzése



2.2

Tankolás



2.3

Olaj fecskendezése a megjelölt helyre



2.4

A benzincsap kinyitása



2.5

Állítsa a hidegindító kart A helyzetbe



2.6

Gázadagoló

Állítsa a kart ebbe a helyzetbe:



2.7

Kapcsolja be a gyújtást



2.8

Húzza meg a berántó zsinór fogantyúját



2.9

Állítsa a hidegindító kart B helyzetbe



2.9

Figyelmeztetés:

Maradjon a biztonsági övezeten belül, amikor a gép beindul.

EN

BG

HR

CZ

DA

NL

ET

FI

FR

DE

GR

HU

IT

LV

LT

NO

PL

PT

RO

RU

SK

SL

ES

SE

TR

UK

HASZNÁLAT



3.1

Előremenet

1. Hagyja úgy a hátrameneti tengelykapcsolót, ahogy áll.
- 2-A. Oldja ki a tengelykapcsoló kart.
- 2-B. Nyomja meg a tengelykapcsoló kart.



Tartson fenn egy 20 m sugarú biztonsági zónát a gép körül.



3.2

Hátramenet

- 1-A. Billentse át a hátramenet piros kapcsolóját
- 1-B. Húzza be a hátramenet fogantyúját
- 2-A. Oldja ki a tengelykapcsoló kart.
- 2-B. Nyomja meg a tengelykapcsoló kart.



Tartson fenn egy 20 m sugarú biztonsági zónát a gép körül.



A hátramenet használata veszélyes. A tengelykapcsoló zárása előtt ellenőrizze, hogy nincs-e akadály a háta mögött, és csökkentse a motor fordulatszámát.

LEÁLLÍTÁS



4.1

A forgó szerszámok leállítása

Engedje el a tengelykapcsoló kart.



4.2

Vegye vissza a gázt

Állítsa a gázadagolót ebbe a helyzetbe:



4.3

A motor leállítása

Kapcsolja ki a gyújtást.



4.4

Állítsa a hidegindító kart A helyzetbe



4.5

Zárja el az üzemanyagcsapot

KARBANTARTÁSI TÁBLÁZAT

Napi ellenőrzés	Az első 20 üzemóra után vagy havonta
<p>A motor beindítása előtt ellenőrizze az alábbi pontokat.</p> <ul style="list-style-type: none"> ■ Nem lehet a gépen megfagyott vagy törött anya és csavar. 	<ul style="list-style-type: none"> ■ Cserélje le a motorolajat és hajtóműolajat.
<p> 4.5 A légszűrőbetét tisztaságának ellenőrzése</p>	<p>50 üzemóránként vagy 3 havonta</p> <ul style="list-style-type: none"> ■ Tisztítsa ki a légszűrőt* (2, 4.5 ábra).
<p> Ne használjon gyúlékony oldószert a légszűrőbetét szivacs megtisztításához.</p>	<p>100 üzemóránként vagy 6 havonta</p> <ul style="list-style-type: none"> ■ Tisztítsa ki a szűrőt. ■ Cserélje le a motorolajat és hajtóműolajat. ■ Tisztítsa meg a gyújtógyertyát. ■ Tisztítsa meg a gyertyapipát.
<p> 2.1 Ellenőrizze az olajsíntet</p>	<p>300 üzemóránként vagy évente</p> <ul style="list-style-type: none"> ■ Cserélje ki a levegőszűrőt*. ■ Ellenőrizze a szelephézagot**. ■ Cserélje le a gyújtógyertyát. ■ Tisztítsa ki az üzemanyagszűrőt**. ■ Tisztítsa ki az égésteret**. ■ Állítsa be a szikraközt**. ■ Ellenőrizze az üzemanyagkört**.
<ul style="list-style-type: none"> ■ Nem lehet benzin- vagy olajszivárgás. 	<p>* A tisztítást végezze gyakrabban, ha poros, szennyezett környezetben használja.</p> <p>** Csak teljesítményproblémák esetén szükséges (bizza jóváhagyott szervizre).</p>
<p> 2.2 Benzinszint</p>	
<ul style="list-style-type: none"> ■ Tartsa tisztán a gépet. ■ Ügyeljen a környezet védelmére. ■ Nem lehet rendellenes rezgés vagy túlzott zaj. 	



5.1

Mozgatás



Motor leállítása.

A Állítsa be a kereket mozgató helyzetbe.

B Hajtsa le a fogantyúrudat a gép szállításának megkönnyítéséhez.

C Emelje fel a késeket a talajról a fogantyúrudak segítségével, és induljon el előre.

EN

BG

HR

CZ

DA

NL

ET

FI

FR

DE

GR

HU

IT

LV

LT

NO

PL

PT

RO

RU

SK

SL

ES

SE

TR

UK

- EN
- BG
- HR
- CZ
- DA
- NL
- ET
- FI
- FR
- DE
- GR
- HU**
- IT
- LV
- LT
- NO
- PL
- PT
- RO
- RU
- SK
- SL
- ES
- SE
- TR
- UK



EK MEGFELELŐSÉGI NYILATKOZAT



Az alábbi gépekhez

terméknév: Motoros kapa
kereskedelmi neve: N/A
funkciója: Motoros kapa (hajtott kerekek nélkül)
típusa: Benzinmotoros
modellsz.: MFT85 210R
sorozatsz.: 16H190570

ezúton megerősítjük, hogy teljesíti a következő irányelv minden vonatkozó rendelkezését:

gépekről szóló irányelv (2006/42/EC),

és megfelel az alábbi harmonizált szabványok követelményeinek:

EN 709: 1997 + A4: 2009
EN 709: 1997 + A4/AC:2012

ezúton megerősítjük, hogy teljesíti a következő irányelv minden vonatkozó rendelkezését:

elektromágneses megfelelőséggel kapcsolatos irányelv (2014/30/EU),

és megfelel az alábbi harmonizált szabványok követelményeinek:

EN ISO 14982: 2009

A jelen nyilatkozat megtételéért felelős:

Gyártó neve : Husqvarna AB
Gyártó címe : SE561 82 HUSKVARNA, SVÉDORSZÁG

A műszaki dokumentációk összeállításáért felelős személy az EU-n belül:

Név, vezetéknev : Husqvarna AB
Cím : SE561 82 HUSKVARNA, SVÉDORSZÁG

A jelen nyilatkozat megtételéért felelős személy:

Név, vezetéknev : John Thompson
Beosztás/tisztség : Termék- és marketing igazgató, fogyasztói divízió, EUAP
Hely : Husqvarna UK Ltd, Preston Road
Aycliffe Industrial Park. Newton Aycliffe
Co.Durham,DL5 6UP
Dátum : 2016. november 15.

(Céges bélyegző és jogszerű aláírás)

NORME DI SICUREZZA

Prestare particolare attenzione alle sezioni contrassegnate come indicato di seguito:



PERICOLO: indica un forte rischio di lesioni gravi o mortali in caso di mancato rispetto delle istruzioni.

AVVERTENZA: indica un rischio di lesioni o danni alle apparecchiature in caso di mancata osservanza delle istruzioni.

NOTA: indica informazioni utili.



Questo simbolo ricorda di fare attenzione a determinate operazioni.

In caso di problemi o domande sulla motozappa, contattare il rivenditore autorizzato.



PERICOLO: la macchina è progettata per un uso sicuro e affidabile se utilizzata come da istruzioni. Prima di utilizzare la macchina, assicurarsi di aver compreso il contenuto del presente manuale. In caso contrario si può andare incontro a lesioni e le apparecchiature potrebbero essere danneggiate.

Formazione / Informazioni

Acquisire dimestichezza con l'uso corretto e con i comandi prima di utilizzare la macchina. È necessario sapere come spegnere il motore in modo rapido.

La macchina deve essere sempre utilizzata in base alle raccomandazioni riportate nel manuale di istruzioni.

Tenere sempre a mente che l'utente è responsabile di eventuali incidenti o reazioni pericolose causati ad altre persone o ai loro beni. È sua responsabilità valutare i potenziali rischi del terreno da eliminare e prendere tutte le precauzioni necessarie per assicurarsi che sia sicuro, in particolare su terreni in pendenza o su manti stradali poco compatti, sdruciolevoli o irregolari.

Non consentire l'uso della macchina a bambini o persone che non conoscono le istruzioni. Potrebbero essere in vigore leggi locali che stabiliscono un'età minima per gli utenti.

Non utilizzare in presenza di altre persone, in particolare bambini, o animali entro un raggio di 20 metri dalla macchina; l'operatore non deve rilasciare mai le impugnature di comando.

Non utilizzare la macchina in caso di assunzione di medicinali o altre sostanze che potrebbero rallentare le reazioni o indurre sonnolenza.

Prestare particolare attenzione sui terreni duri dove la macchina tende a essere molto meno stabile rispetto ai terreni coltivati.

Durante il lavoro indossare sempre calzature robuste con soles antiscivolo e pantaloni lunghi e aderenti. Non utilizzare la macchina a piedi nudi o con i sandali. Si raccomanda l'uso di protezioni acustiche.

Utilizzare la macchina solo per l'uso per cui è stata progettata, ossia per le operazioni di scavo del terreno. Qualsiasi altro uso può essere pericoloso o causare danni alla macchina.

Preparazione

Ispezionare accuratamente l'area in cui la macchina deve essere utilizzata e rimuovere eventuali oggetti che possono essere lanciati dalla macchina (pietre, fili, vetri, oggetti metallici...).

Prima dell'uso, eseguire sempre un controllo della macchina per assicurarsi che gli strumenti non siano usurati o danneggiati. Sostituire eventuali parti usurate o danneggiate.

Mantenere in buono stato i cavi elettrici di arresto del motore in modo da poterne garantire lo spegnimento.

Controllare che non vi siano perdite d'olio o benzina.

Non utilizzare la macchina senza le relative protezioni montate e accertarsi che tutti gli attacchi siano ben serrati.

Uso

Non trasportare persone sulla macchina.

Prestare attenzione durante l'avvio del motore, attenendosi alle istruzioni del produttore e tenendo i piedi lontani dalle lame.

Spegnere il motore quando la macchina non è in uso.

Durante l'uso della macchina camminare senza correre.

Prestare la massima attenzione quando si tira la macchina verso di sé o durante un'inversione del senso di rotazione (se lo si desidera).

Mantenere una distanza di sicurezza dalle lame rotanti, determinata dalla lunghezza del piantone dello sterzo.

Non mettere le mani o i piedi vicino o sotto le parti rotanti.

In presenza di:

- vibrazioni anomale,
- un blocco,
- un problema nell'innesto o nel disinnesto della frizione,
- una collisione con un corpo estraneo,
- deterioramento del cavo di arresto del motore.

Spegnere immediatamente il motore (se il cavo di arresto del motore è rotto, utilizzare il comando di avviamento come descritto nel paragrafo "Avviamento del motore" per arrestare il motore), lasciare raffreddare la macchina, scollegare il cavo della candela, far ispezionare ed eseguire le riparazioni necessarie da un tecnico autorizzato prima di utilizzare nuovamente la macchina.

Lavorare solo di giorno o in buone condizioni di illuminazione artificiale.

Non utilizzare la macchina su pendii superiori a 20°.

Sui pendii spostare la macchina in direzione trasversale, non seguendo il dislivello verso l'alto o verso il basso.

Assicurarsi di mantenere una postura stabile su terreni in pendenza, cambiare direzione con molta attenzione.

L'uso di accessori diversi da quelli raccomandati potrebbe rendere la macchina pericolosa e causare danni alla macchina non coperti da garanzia.

Manutenzione / Conservazione

Spegnere il motore e scollegare la candela prima di eseguire la pulizia, l'ispezione, la regolazione o la manutenzione della macchina o di sostituire gli strumenti.

Spegnere il motore, scollegare la candela e utilizzare guanti spessi durante la sostituzione degli attrezzi.

Mantenere sempre ben serrati tutti i dadi e i bulloni per garantire la massima sicurezza d'uso.

Per ridurre il rischio di incendio, mantenere il motore, il silenziatore e l'area di stoccaggio del carburante priva di piante, olio di scarico o qualsiasi altro materiale infiammabile.

Se il silenziatore di scarico è difettoso, deve essere sostituito da un tecnico autorizzato.

Non riparare i pezzi; sostituirli con i ricambi originali.

Sostituire gli interi gruppi di dischi di taglio per garantirne il bilanciamento.

Per salvaguardare la sicurezza personale, non alterare le caratteristiche della macchina. Non modificare le impostazioni della velocità del motore e non azionare il motore a velocità eccessive. Una regolare manutenzione è essenziale per la sicurezza e per mantenere il massimo livello delle prestazioni.

Far raffreddare il motore prima di riporre la macchina.

Pericolo! La benzina è altamente infiammabile!

Conservare il carburante in contenitori appositamente progettati. Riempire sempre il serbatoio all'aperto e non fumare durante questa operazione.

Non svitare il tappo del carburante o rabboccare con benzina mentre il motore è in funzione o ancora caldo.

Nel caso in cui venga versata a terra della benzina, non tentare di avviare il motore. Portare la macchina altrove ed evitare fiamme libere finché i vapori della benzina non sono dispersi.

Riporre la macchina in luogo asciutto. Non riporre la macchina in un luogo chiuso, dove i vapori della benzina possono raggiungere fiamme, scintille o fonti di calore intenso.

Sostituire correttamente i tappi del serbatoio del carburante e della latta di benzina.

Limitare la quantità di benzina nel serbatoio per ridurre eventuali versamenti.

Non avviare il motore in uno spazio ristretto in cui si possono accumulare esalazioni di monossido di carbonio.

Il monossido di carbonio può essere mortale. Assicurare una buona ventilazione.

Movimentazione, maneggio, trasporto

Qualsiasi intervento sulla macchina, ad eccezione delle operazioni di scavo del terreno, deve essere eseguito con il motore spento.

Tranne in fase di scavo del terreno, la macchina deve essere spostata utilizzando la ruota per il trasporto, come descritto nel capitolo "Movimentazione".

Maneggio: non tentare di sollevare la macchina. Il peso della macchina è indicato sulla targhetta del costruttore alla fine del presente manuale. Maneggiare la macchina utilizzando un metodo adeguato al peso della stessa e alla situazione specifica per garantire la massima sicurezza.

Durante le operazioni di carico o scarico della macchina su o da un rimorchio, utilizzare una rampa idonea. Ancorare la macchina al suolo in modo corretto per un trasporto sicuro.

La macchina deve essere trasportata con un rimorchio; non utilizzare altri metodi di trasporto.

EN

BG

HR

CZ

DA

NL

ET

FI

FR

DE

GR

HU

IT

LV

LT

NO

PL

PT

RO

RU

SK

SL

ES

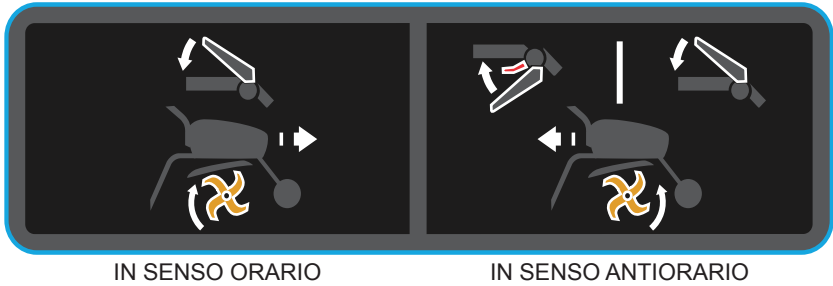
SE

TR

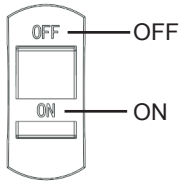
UK

DEFINIZIONE DEI PITTOGRAMMI


- 
AVVERTENZA
Pericolo
- 
AVVERTENZA
Mantenere la distanza di sicurezza
- 
AVVERTENZA
Strumenti rotanti
- 
AVVERTENZA
Consultare il manuale dell'operatore e rimuovere la candela prima di eseguire qualsiasi operazione.
- 
AVVERTENZA
Leggere il manuale dell'operatore



Interruttore di arresto



Livello di potenza acustica garantito

 È necessario l'uso di protezioni acustiche.

INFORMAZIONI TECNICHE

Modello	MFT85 210R	Potenza nominale CV (kW) a giri/min	4,8 (3,6) a 3100
Larghezza di dissdamento (mm)	780	Ingranaggi	-1,0,1
Profondità di dissdamento (mm)	100-200	Olio trasmissione	Grasso
Tipo di motore	McCulloch 210 (WM170F-2/P)	Peso lordo (kg)	65.0
Carburante	Benzina	Peso netto (kg)	60.0
Capacità serbatoio carburante (L)	3.60	Dimensioni imballo (mm)	780x500x660
Quantità di olio (L)	0.35	Certificazione	CE, EAC
Cilindrata	212 cc	Livello di pressione acustica garantita	2 dB(A)
Livello di pressione acustica	78 dB(A)	Tolleranza delle vibrazioni	2%
Livello di potenza acustica	98 dB(A)	Valore vibrazioni dell'impugnatura	Lato sinistro: 7,2 mm/s ² Lato destro: 7,4 mm/s ²
Tolleranza del rumore	2 dB(A)		

DISIMBALLAGGIO / MONTAGGIO

Nota: nel costante desiderio di migliorare i prodotti, il costruttore dichiara che il presente manuale nella sua interezza non è contrattuale e si riserva il diritto di modificare le specifiche delle relative macchine senza alcun preavviso.

Disimballaggio

AVVERTENZA: fare attenzione a non tagliare i cavi o graffiare la vernice della macchina quando si tagliano i bordi della scatola.

N.	Contenuto della scatola
A	Componente del motore
B	Asta di resistenza
C	Ruota anteriore
D	Tubo di supporto
E	Copertura manubrio
F	Manopola
G	Copri manopola di bloccaggio
H	Dente principale, lato destro
I	Dente principale, lato sinistro
J	Guida
K	Copertura dei denti
L	Borsa degli strumenti
M	Archetto di protezione
N	Dente inferiore-1, lato sinistro
O	Dente inferiore-1, lato destro
P	Dente inferiore-2, lato sinistro
Q	Dente inferiore-2, lato destro

Montaggio

AVVERTENZA: il montaggio errato della presente motozappa potrebbe provocare gravi lesioni. Seguire attentamente tutte le istruzioni.

- 1 Montaggio della copertura dei denti.
- 2 Montaggio del primo gruppo di denti.
Assicurarsi che i bordi taglienti siano rivolti su un solo lato.
- 3 Montaggio dell'asta di resistenza.
- 4 Montaggio della ruota anteriore.
- 5 Montaggio del tubo di supporto.
- 6 Montaggio della guida.
- 7 Montaggio della copertura manubrio.
- 8 Montaggio del copri manopola di bloccaggio.
- 9 Montaggio del secondo gruppo denti - lato destro.
- 10 Montaggio del secondo gruppo denti - lato sinistro.
- 11 12 Montaggio del terzo gruppo denti - lato sinistro e destro.
- 13 14 Montaggio dell'archetto di protezione.

Attenzione
Dopo aver montato completamente la macchina, serrare tutti i bulloni e le viti con moderazione: non serrare eccessivamente.

Nota: qualsiasi operazione di smontaggio deve essere eseguita esclusivamente da un'officina autorizzata.

Descrizione dei componenti

- 1 - Motore
- 2 - Impugnatura della frizione
- 3 - Copertura manubrio
- 4 - Interruttore ON/OFF
- 5 - Archetto di protezione
- 6 - Comando dell'acceleratore
- 7 - Regolazione dell'impugnatura
- 8 - Leva del cambio
- 9 - Dente
- 10 - Asta di resistenza
- 11 - Ruota anteriore

Targhetta di identificazione della macchina

Ruota per il trasporto

A = posizione di lavoro.
B = posizione di trasporto.

AVVIAMENTO DELLA MACCHINA

2.1 Rabboccare l'olio motore e controllare il livello

2.2 Rifornire di benzina

2.3 Iniettare olio nella posizione identificata

2.4 Aprire l'interruttore per la benzina

2.5 Impostare la leva dell'aria in posizione A

2.6 Comando dell'acceleratore
Posizionare la leva su: **H**

2.7 Impostare l'interruttore ON/OFF su "on".

2.8 Tirare la maniglia della fune di avviamento autoavvolgente

2.9 Impostare la leva dell'aria in posizione B

Attenzione
All'avvio della macchina, rimanere all'interno dell'area di sicurezza.

EN

BG

HR

CZ

DA

NL

ET

FI

FR

DE

GR

HU

IT

LV

LT

NO

PL

PT

RO

RU

SK

SL

ES

SE

TR

UK

USO



3.1

Avanti

1. Lasciare la frizione di retromarcia nella posizione in cui si trova.
- 2-A. Sbloccare l'impugnatura della frizione.
- 2-B. Premere l'impugnatura della frizione



Mantenere una distanza di sicurezza dalla macchina pari a un raggio di 20 metri.



3.2

Retromarcia

- 1-A. Far scattare l'interruttore di retromarcia rosso
- 1-B. Stringere l'impugnatura della retromarcia
- 2-A. Sbloccare l'impugnatura della frizione.
- 2-B. Premere l'impugnatura della frizione



Mantenere una distanza di sicurezza dalla macchina pari a un raggio di 20 metri.



L'utilizzo della retromarcia è pericoloso. Assicurarsi che non siano presenti ostacoli alle proprie spalle e ridurre i giri del motore prima di innestare la frizione.

ARRESTO



4.1

Arresto degli strumenti rotanti

Rilasciare la leva della frizione.



4.3

Arresto del motore

Impostare l'interruttore ON/OFF su OFF.



4.5

Chiudere il tappo del carburante



4.2

Ridurre il gas

Impostare il comando dell'acceleratore su:



4.4

Impostare la leva dell'aria in posizione A

TABELLA DI MANUTENZIONE

Controllo giornaliero

Prima di avviare il motore eseguire i controlli indicati di seguito.

- Non devono essere presenti dadi o bulloni allentati o rotti.



4.5

- Pulire l'elemento del filtro dell'aria



Non utilizzare solventi infiammabili per pulire l'elemento del filtro dell'aria in schiuma.



2.1

- Controllo del livello dell'olio di lubrificazione

- Verificare che non siano presenti perdite di benzina o di olio di lubrificazione.



2.2

- Benzina sufficiente

- Tenere pulita la macchina.

- l'ambiente circostante sia protetto;

- Verificare che non siano presenti vibrazioni o rumore eccessivo.

Dopo le prime 20 ore di funzionamento o ogni mese

- Sostituire l'olio di lubrificazione del motore e della trasmissione.

Ogni 50 ore o ogni 3 mesi

- Pulire il filtro dell'aria* (2 Fig. 4.5).

Ogni 100 ore o ogni 6 mesi

- Pulire il filtro.
- Sostituire l'olio di lubrificazione del motore e della trasmissione.
- Pulire la candela.
- Pulire la protezione della candela.

Ogni 300 ore o una volta all'anno

- Sostituire il filtro dell'aria *.
- Controllare il gioco della valvola **.
- Sostituire la candela.
- Pulire il filtro del carburante **.
- Pulire la camera di combustione **.
- Impostare il regime minimo **.
- Controllare il circuito del carburante **.

* Pulire con maggiore frequenza in condizioni di utilizzo in ambienti polverosi o carichi di detriti.

** Operazione non essenziale eccetto in caso di problemi di prestazioni (da eseguire in un'officina autorizzata).



Movimento



Spegnere il motore.

A Spostare la ruota in posizione di esercizio.

B Regolare il manubrio nella posizione bassa per facilitare lo spostamento della macchina.

C Sollevare le lame da terra utilizzando il manubrio e procedere in avanti.

EN

BG

HR

CZ

DA

NL

ET

FI

FR

DE

GR

HU

IT

LV

LT

NO

PL

PT

RO

RU

SK

SL

ES

SE

TR

UK

- EN
- BG
- HR
- CZ
- DA
- NL
- ET
- FI
- FR
- DE
- GR
- HU
- IT**
- LV
- LT
- NO
- PL
- PT
- RO
- RU
- SK
- SL
- ES
- SE
- TR
- UK



DICHIARAZIONE DI CONFORMITÀ CE



Per le seguenti macchine

Nome del prodotto: Motozappa
Nome commerciale: N/D
Funzione: Motozappa (senza ruote condotte)
Tipo: Benzina
N. modello: MFT85 210R
N. di serie: 16H190570

con la presente si conferma di rispondere a tutte le disposizioni pertinenti della
Direttiva macchine (2006/42/CE).

e la conformità alle seguenti norme armonizzate

EN 709: 1997 + A4: 2009
EN 709: 1997 + A4/AC:2012

con la presente si conferma di rispondere a tutte le disposizioni pertinenti della
Direttiva sulla compatibilità elettromagnetica (2014/30/UE)

e la conformità alle seguenti norme armonizzate:

EN ISO 14982: 2009

Responsabile della presente dichiarazione

Nome del produttore : Husqvarna AB
Indirizzo del produttore : SE561 82 HUSKVARNA SVEZIA

Persona responsabile per la compilazione dei fascicoli tecnici stabiliti all'interno dell'UE

Nome, Cognome : Husqvarna AB
Indirizzo : SE561 82 HUSKVARNA SVEZIA

Responsabile della presente dichiarazione

Nome, Cognome : John Thompson
Posizione/Titolo : Direttore Marketing e Prodotti, divisione Consumer EUAP
Luogo : Husqvarna UK Ltd, Preston Road
Aycliffe Industrial Park. Newton Aycliffe
Co.Durham,DL5 6UP
Data : 15 novembre 2016

(Timbro della società e firma legale)

DROŠĪBAS PASĀKUMI

Pievērsiet īpašu uzmanību sadaļām, kas atzīmētas šādi:



BĪSTAMI! Norāda uz lielu nopietnu vai pat nāvējošu ievainojumu risku instrukciju neievērošanas gadījumā.

BRĪDINĀJUMS! Norāda uz ievainojumu vai kaitējuma iekārtai risku instrukciju neievērošanas gadījumā.

PIEZĪME Norāda uz lietderīgu informāciju.



Šis simbols jums atgādina par piesardzību, veicot konkrētas darbības.

Ja jums radušās kādas problēmas vai jautājumi par kultivatoru, lūdzu, sazinieties ar savu pilnvaroto piegādātāju.



BĪSTAMI! Mašīna ir izstrādāta drošai un uzticamai lietošanai, ja to izmanto atbilstoši instrukcijām. Pirms mašīnas lietošanas, lūdzu, pārliecinieties, ka esat izpratis šīs rokasgrāmatas saturu. Pretējā gadījumā pastāv ievainojumu risks jums un bojājumu risks iekārtai.

Apmācība/informācija

Pirms mašīnas lietošanas iepazīstieties ar pareizu tās lietošanu un vadības ierīcēm. Noskaidrojiet, kā ātri apturēt dzinēju.

Mašīna vienmēr jālieto atbilstoši ieteikumiem, kas sniegti instrukciju rokasgrāmatā.

Atcerieties, ka lietotājs ir atbildīgs par visiem negadījumiem vai bīstamām darbībām attiecībā uz citiem cilvēkiem vai to īpašumu. Lietotāja pienākums ir novērtēt apstrādājamās zemes potenciālos riskus un veikt visus piesardzības pasākumus, lai garantētu drošas darbības, jo īpaši nogāzēs, kā arī uz irdenas, slidenas vai nelīdzenas virsmas.

Nekad neļaujiet bērniem vai personām, kas nav iepazīlušas un šīm instrukcijām, lietot mašīnu. Iespējams, ka spēkā ir vietējie tiesību akti, kuros noteikts minimālais mašīnas lietotāju vecums.

Nekad neestrādājiet, ja 20 metru rādiusā ap mašīnu atrodas cilvēki, jo īpaši bērni, vai dzīvnieki, un operatoram obligāti ir jāpaliek pie vadības rokturiem.

Neizmantojiet mašīnu, ja esat lietojis medikamentus vai citas vielas, kas var palēnināt jūsu reakciju vai padarīt jūs miegainu.

Esiet īpaši piesardzīgs, strādājot uz cietas virsmas, jo uz šādas virsmas mašīna parasti ir nestabilāka nekā uz kultivētas zemes.

Strādājot vienmēr valkājiet stingrus, neslīdošus apavus un piegulošas garās bikses. Nelietojiet mašīnu, kad esat basām kājām vai sandalēs. Ir ieteicams valkāt ausu aizsargus.

Lietojiet mašīnu mērķim, kam tā ir paredzēta — zemes rakšanai. Izmantošana jebkādiem citiem mērķiem var būt bīstama vai radīt kaitējumu mašīnai.

Sagatavošanās

Rūpīgi pārbaudiet teritoriju, kurā mašīna tiks izmantota, un novāciet visus objektus, ko mašīna varētu apgāzt (akmeņus, vadus, stikla un metāla priekšmetus utt.).

Pirms lietošanas vienmēr pārbaudiet mašīnu, lai pārliecinātos, ka instrumenti nav nodiluši vai bojāti, un nomainiet visas nodilušās un bojātās daļas.

Uzturiet elektriskos kabeļus, kas aptur dzinēju, labā stāvoklī, lai varat būt drošs, izslēdzot dzinēju.

Pārbaudiet, vai nav degvielas vai eļļas noplūdes.

Nelietojiet mašīnu bez tās aizsargpārsegumiem un nodrošiniet, lai visi savienojumi būtu cieši.

Lietošana

Nekad mašīnu neizmantojiet cilvēku pārvadāšanai.

Iedarbinot dzinēju, ievērojiet ražotāja instrukcijas un nestāviet asmeņa(-u) tuvumā.

Kad nelietojat mašīnu, izslēdziet tās dzinēju.

Turot mašīnu, neskrīniet, bet ejiet.

Ievērojiet lielu piesardzību, velkot mašīnu savā virzienā vai mainot rotācijas virzienu uz pretējo (ja tas ir vajadzīgs).

Turieties drošā attālumā no rotējošajiem asmeņiem — šis attālums ir stūres statņa garumā.

Nenovietojiet rokas vai kājas rotējošo daļu tuvumā vai zem tām.

Ja rodas:

- neparasta vibrācija,
- aizsprotojums,
- problēma ieslēgt vai izslēgt sajūgu,
- sadursme ar svešķermeni,
- dzinēja aptures kabeļa bojājums.

Nekavējoties apturiet dzinēju (ja dzinēja aptures kabelis ir saplīsis, dzinēja apturēšanai izmantojiet startera vadību, kā aprakstīts punktā "Dzinēja iedarbināšana"), ļaujiet mašīnai atdzist, atvienojiet aizdedzes sveces pievadu, pārbaudiet mašīnu un, pirms atkal lietojat mašīnu, nodrošiniet, lai pilnvarotā servisa pārstāvis veic nepieciešamo remontu.

Strādājiet tikai dienas gaismā vai labā maksīgajā apgaismojumā.

Nelietojiet mašīnu uz nogāzēm, kuru slīpums ir vairāk nekā 20°.

Nogāzēs strādājiet, pārvietojoties gareniski, nevis augšup un lejup.

Pārliecinieties, ka uz nogāzes stāvat stabili, virzienu mainiet ļoti piesardzīgi.

Ja izmantosit piederumus, kas nav ieteiktie piederumi, mašīna var kļūt bīstama, un tai var rasties bojājumi, uz kuriem garantija neattiecas.

Apkope/glabāšana

Pirms veicat mašīnas tīrīšanu, pārbaudi, regulēšanu vai apkopi vai instrumenta(-u) nomaigu, apturiet dzinēju un atvienojiet aizdedzes sveci.

Pirms instrumenta(-u) nomaigai apturiet dzinēju, atvienojiet aizdedzes sveci un nomaigai izmantojiet biezu cimdus.

Lai nodrošinātu drošus lietošanas apstākļus, vienmēr pārliecinieties, ka visi uzgriežņi un skrūves ir stingri pievilktas.

Lai samazinātu aizdegšanās risku, uzmaniet, lai dzinēja, klusinātāja un degvielas tvertnes tuvumā nebūtu augu, atkritumuļļu vai citu uzliesmojošu materiālu.

Ja izplūdes trokšņu slāpētājs ir bojāts, nodrošiniet, lai pilnvarotā servisa pārstāvis to nomaina.

Nelabojiet daļas, bet nomainiet tās ar ražotāja piegādātajām rezerves daļām.

Lai griešanas asmeņi saglabātu līdzsvaru, nomainiet visu asmeņu komplektu.

Savas paša drošības labas nomainiet mašīnas raksturotājus. Nomainiet dzinēja ātruma iestatījumus un nedarbiniet dzinēju pārāk lielā ātrumā. Gan drošībai, gan veikspējas līmeņa saglabāšanai būtiska ir regulāra apkope.

Pirms novietojat mašīnu vietā, ļaujiet tās dzinējam atdzist.

Bīstami! Benzīns ir ļoti viegli uzliesmojošs!

Glabājiet degvielu tam īpaši paredzētās tvertnēs. Tvertni vienmēr piepildiet ārpus telpām, un šajā laikā nesmēķējiet.

Neatskrūvējiet degvielas tvertnes vāciņu un neuzpildiet degvielu, kamēr dzinējs darbojas vai vēl ir karsts.

Ja degviela ir izlijusi uz zemes, nemēģiniet iedarbināt dzinēju, bet pārvietojiet mašīnu citā vietā un izvairieties no visām atklātajām liesmām, līdz degvielas garaiņi nav izkļēdējušies.

Glabājiet mašīnu sausā vietā. Nekad neglabājiet mašīnu ēkā, kurā degvielas garaiņi var nonākt kontaktā ar uguni, dzirksteli vai liela karstuma avotu.

Pareizi aizveriet degvielas tvertnes un benzīna kannas vāciņus.

Lai novērstu izšļakstīšanos, neielejiet tvertnē pārāk daudz benzīna.

Nedarbiniet dzinēju ierobežotā telpā, kurā var uzkrāties oglekļa monoksīda tvaiki.

Oglekļa monoksīds var izraisīt letālas sekas. Nodrošiniet labu ventilāciju.

Pārvietošana, pārkraušana, transportēšana

Visas darbības ar mašīnu, izņemot zemes rakšanu, ir jāveic, kad tās dzinējs ir izslēgts.

Izņemot gadījumus (zemes rakšana), kad mašīna ir jāpārvieto, izmantojot transportēšanas riteņus, kā aprakstīts sadaļā "Pārvietošana".

Pārkraušana: nemēģiniet pacelt mašīnu. Mašīnas svars ir norādīts uz ražotāja plāksnītes šīs rokasgrāmatas beigās. Lai garantētu drošību, pārkraušanai izmantojiet metodi, kas ir piemērota mašīnas svaram un situācijai.

Izkraujot mašīnu trailerī vai izkraujot no tā, izmantojiet piemērotu rampu. Drošas transportēšanas nolūkā mašīnu pareizi nostipriniet.

Mašīna ir jātransportē trailerī — neizmantojiet citas transportēšanas metodes.

EN

BG

HR

CZ

DA

NL

ET

FI

FR

DE

GR

HU

IT

LV

LT

NO

PL

PT

RO

RU

SK

SL

ES

SE

TR

UK

EN

BG

HR

CZ

DA

NL

ET

FI

FR

DE

GR

HU

IT

LV

LT

NO

PL

PT

RO

RU

SK

SL

ES

SE

TR

UK

PIKTOGRAMMU NOZĪME



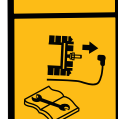
BRĪDINĀJUMS
Bīstami!



BRĪDINĀJUMS
Ievērojiet drošu attālumu



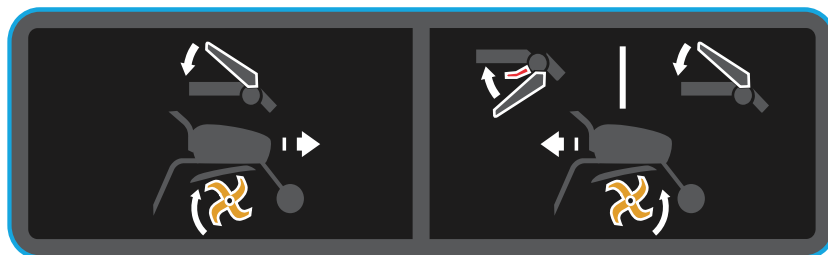
BRĪDINĀJUMS
Rotējoši instrumenti



BRĪDINĀJUMS
Pirms veicat jebkādu darbu, skatiet Lietotāja rokasgrāmatu un atvienojiet aizdedzes sveci.



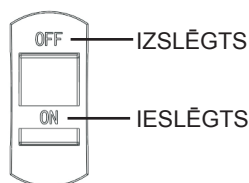
BRĪDINĀJUMS
Izlasiet Lietotāja rokasgrāmatu



UZ PRIEKŠU

ATPAKAĻGAITA

Apturēšanas slēdzis (Stop)



— IZSLĒGTS

— IESLĒGTS



Noteiktais skaņas jaudas līmenis



Jāvalkā ausu aizsargi.

TEHNISKĀ INFORMĀCIJA

Modelis	MFT85 210R	Nominalus galinguma AG (kW) esant aps./min	4,8 (3,6) @ 3100
Apstrādes platums (mm)	780	Zobrati	-1,0,1
Apstrādes dziļums (mm)	100–200	Transmisijas eļļa	Smēviela
Dzinēja tips	McCulloch 210 (WM170F-2/P)	Bruto svars (kg)	65,0
Degviela	Benzīns	Neto svars (kg)	60,0
Degvielas tvertnes tilpums (L)	3,60	Iepakojuma izmērs (mm)	780x500x660
Eļļas tilpums (L)	0,35	Sertifikācija	CE, EAC
Dzinēja litrāža	212 cc	Guaranteed acoustic pressure level	2 dB(A)
Skaņas spiediena līmenis	78 dB(A)	Aizsardzības skaņas vērtība	2%
Skaņas jaudas līmenis	98 dB(A)	Rokturu vibrācijas vērtība	Kreisais rokturis 7,2 mm/s ² Labais rokturis 7,4 mm/s ²
Trokšņa nenoteiktība	2 dB(A)		

IZPAKOŠANA/MONTĀŽA

Piezīme Vēloties nemītīgi uzlabot savus produktus, ražotājs norāda, ka līgums neattiecas uz visu šo rokasgrāmatu, un patur tiesības mainīt savu mašīnu specifikāciju bez brīdinājuma.

Izpakošana

BRĪDINĀJUMS!
Atgriežot kastes malas, uzmanieties, lai nesagrieztu vadus vai nesaskrāpētu mašīnas krāsu.

Atsauces	Kastes saturs
A	Dzinēja daļas
B	Rezistors
C	Priekšējais ritenis
D	Spiediena caurule
E	Margu pārsegs
F	Poga
G	Aizsargpārsegs
H	Galvenā ķepa, labajā pusē
I	Galvenā ķepa, kreisajā pusē
J	Margas
K	Ķepu pārsegs
L	Instrumentu maisiņš
M	Augu aizsargs
N	1. apakšķepa, kreisajā pusē
O	1. apakšķepa, labajā pusē
P	2. apakšķepa, kreisajā pusē
Q	2. apakšķepa, labajā pusē

Montāža

BRĪDINĀJUMS!
Šā rotējošā kultivatora neatbilstīga montāža var izraisīt nopietnus ievainojumus. Pārliecinieties, ka rūpīgi ievērojat visas instrukcijas.

- 1 Ķepu pārsega piemontēšana.
- 2 Pirmās ķepas grupas piemontēšana.
Pārliecinieties, ka asās malas ir vērstas uz vienu pusi.
- 3 Rezistora piemontēšana.
- 4 Priekšējā riteņa piemontēšana.
- 5 Spiediena caurules piemontēšana.
- 6 Margu piemontēšana.
- 7 Margu pārsega piemontēšana.
- 8 Aizsargpārsega piemontēšana.
- 9 Otrās ķepas grupas piemontēšana — labajā pusē.
- 10 Otrās ķepas grupas piemontēšana — kreisajā pusē.
- 11 12 Trešās ķepas grupas piemontēšana — kreisajā un labajā pusē.
- 13 14 Augu aizsarga piemontēšana.

Brīdinājums!
Pēc mašīnas pilnīgas samontēšanas mēreni pievelciet visas skrūves un uzgriežņus: nepievelciet pārāk stingri.

Piezīme Visas demontāžas darbības ir jāveic tikai pilnvarotā servisa darbnīcā.

Komponentu apraksts

- 1 -Dzinējs
- 2 -Sajūga rokturis
- 3 -Margu pārsegs
- 4 -Slēdzis ieslēgt/Izslēgt
- 5 -Augu aizsargs
- 6 -Droseļvārsta vadība
- 7 -Rokturu komplekts
- 8 -Sviru pārņemšana
- 9 -Ķepa
- 10 -Rezistors
- 11 -Priekšējais ritenis

Mašīnas identifikācijas plāksnīte

Transportēšanas riteni

A = darba pozīcija.
B = transportēšanas pozīcija.

MAŠĪNAS IEDARBINĀŠANA

2.1 Dzinēja eļļas uzpildīšana un līmeņa pārbaudīšana

2.2 Benzīna uzpildīšana

2.3 Eļļas iesmidzināšana līdz noteiktajam līmenim

2.4 Atveriet benzīna padeves slēdzi

2.5 Iestatiet droseļi pozīcijā A

2.6 Droseļvārsta vadība
Pagrieziet sviru uz: H

2.7 Ieslēdziet ieslēgšanas/izslēgšanas slēdzi stāvoklī ieslēgts

2.8 Pavelciet atgriezeniskās šļūdes palaides rokturi

2.9 Iestatiet droseļi pozīcijā B

Brīdinājums!
Kad mašīna sāk darboties, palieciet drošības zonā.

EN

BG

HR

CZ

DA

NL

ET

FI

FR

DE

GR

HU

IT

LV

LT

NO

PL

PT

RO

RU

SK

SL

ES

SE

TR

UK

LIETOŠANA



3.1

Uz priekšu

1. Atstājiet atpakaļgaitas sajūgu, kā tas ir.
- 2-A. Atbloķējiet sajūga rokturi.
- 2-B. Nospiediet sajūga rokturi.



Saglabājiet drošības zonu 20 m rādiusā ap mašīnu



3.2

Atpakaļgaita

- 1-A. Ieslēdziet sarkano atpakaļgaitas slēdzi.
- 1-B. Saspieties atpakaļgaitas rokturi.
- 2-A. Atbloķējiet sajūga rokturi.
- 2-B. Nospiediet sajūga rokturi.



Saglabājiet drošības zonu 20 m rādiusā ap mašīnu



Atpakaļgaitas izmantošana ir bīstama. Pārliecinieties, ka aizjums nav šķēršļu un pirms sajūga ieslēgšanas samaziniet dzinēja apgriezienus.

APTURĒŠANA



4.1

Rotējošo instrumentu apturēšana

Atlaidiet sajūga sviru.



4.3

Dzinēja apturēšana

Ieslēdziet ieslēgšanas/izslēgšanas slēdzi stāvoklī IZSLĒGTS.



4.5

Aiztaisiet degvielas krānu



4.2

Samaziniet benzīna padevi

Iestatiet droseļvārsta vadību uz:



4.4

Iestatiet droseli pozīcijā A

APKOPES TABULA

Ikdienas pārbaude

Pirms dzinēja iedarbināšanas pārbaudiet tālāk minētos punktus.

- Nedrīkst būt vaļīgu vai salūzušu uzgriežņu vai skrūvju.



4.5

■ Gaisa filtra elementu tīrība



Neizmantojiet uzliesmojošu šķīdinātāju gaisa filtra putu-plasta elementa tīrīšanai.



2.1

■ Pārbaudiet zieželas līmeni

- Pārbaudiet, vai nav benzīna vai zieželas noplūdes.



2.2

■ Pietiekams benzīna daudzums

- Gādājiet, lai mašīna ir tīra.

- Vides aizsardzība.

- Nav neparastas vibrācijas vai pārmērīga trokšņa.

Pēc pirmajām 20 stundām vai katru mēnesi

- Nomainiet dzinēja un ātrumkārbas zieželju.

Ik pēc 50 stundām vai ik pēc 3 mēnešiem

- Iztīriet gaisa filtru* (4.5. attēla otrais zīmējums).

Ik pēc 100 stundām vai ik pēc 6 mēnešiem

- Iztīriet filtru.
- Nomainiet dzinēja un ātrumkārbas zieželju.
- Notīriet aizdedzes sveci.
- Notīriet aizdedzes sveces aizsargu.

Ik pēc 300 stundām vai reizi gadā

- Nomainiet gaisa filtru*.
- Pārbaudiet vārsta stāvokli**.
- Nomainiet aizdedzes sveci.
- Iztīriet degvielas filtru**.
- Iztīriet degkameru**.
- Ieslēdziet dzinēju tukšgaitā**.
- Pārbaudiet degvielas ķēdi**.

* Tīriet biežāk, ja mašīnu lieto vidē, kurā gaiss ir putekļains vai ir pilns ar nosēdumiem no gaisa.

** Nav būtiski, izņemot darbības problēmas (to novēršana jāveic pilnvarotā servisa darbnīcā).



Pārvieto- šana



Apstādiniet motoru.

A Iestatiet riteni kustības pozīcijā.

B Lai atvieglotu mašīnas pārvietošanu, iestatiet rokturus apakšējā pozīcijā.

C Paceliet asmeņus no zemes, izmantojot rokturus, un tad paversiet uz priekšu.

EN

BG

HR

CZ

DA

NL

ET

FI

FR

DE

GR

HU

IT

LV

LT

NO

PL

PT

RO

RU

SK

SL

ES

SE

TR

UK

- EN
- BG
- HR
- CZ
- DA
- NL
- ET
- FI
- FR
- DE
- GR
- HU
- IT
- LV**
- LT
- NO
- PL
- PT
- RO
- RU
- SK
- SL
- ES
- SE
- TR
- UK



EK ATBILSTĪBAS DEKLARĀCIJA



Attiecībā uz šo iekārtu

Produkta nosaukums: Motorizēts kaplis
Tirdzniecības nosaukums: N/A
Funkcija: Motorizētais kaplis (bez dzenošajiem riteņiem)
Tips: Benzīns
Modeļa Nr.: MFT85 210R
Sērijas Nr.: 16H190570

ar šo tiek apstiprināta atbilstība visiem attiecīgajiem nosacījumiem, kas minēti

Direktīvā par mašīnām (2006/42/EK),

un ir ievērota atbilstība šādiem saskaņotajiem standartiem

EN 709: 1997 + A4: 2009
EN 709: 1997 + A4/AC:2012

ar šo tiek apstiprināta atbilstība visiem attiecīgajiem nosacījumiem, kas minēti

Direktīvā par dalībvalstu tiesību aktu saskaņošanu attiecībā uz elektromagnētisko savietojamību (2014/30/ES),

un ir ievērota atbilstība šādiem saskaņotajiem standartiem

EN ISO 14982: 2009

Atbildīgais par šīs deklarācijas marķēšanu

Ražotāja nosaukums : Husqvarna AB
Ražotāja adrese : SE561 82 HUSKVARNA SWEDEN

Persona, kas ir atbildīga par ES noteikto tehnisko failu sagatavošanu

Vārds, uzvārds : Husqvarna AB
Adrese : SE561 82 HUSKVARNA SWEDEN

Persona, kas ir atbildīga par šīs deklarācijas sagatavošanu

Vārds, uzvārds : *John Thompson*
Amats/tituls : Produktu vadības un mārketinga direktors, Patērētāju daļa EUAP
Vieta : Husqvarna UK Ltd, Preston Road
Aycliffe Industrial Park. Newton Aycliffe
Co.Durham,DL5 6UP
Datums : 2016. gada 15. novembris

(Uzņēmuma zīmogs un juridiskais paraksts)

Atsargumo priemonės

Itin atidžiai perskaitykite taip pažymėtus skyrius:



PAVOJUS: tai nurodo, kad nesivadovaujant instrukcijomis galima rimtai arba net mirtinai susižeisti.

ISPĖJIMAS: šis ženklas įspėja, kad nesilaikant instrukcijų gali kilti sužeidimų pavojus arba galima sugadinti įrangą.

PASTABA: šiuo ženklu žymima naudinga informacija.



Šis simbolis primena, kad konkrečius veiksmus reikia atlikti atsargiai.

Jei kyla problemų arba klausimų apie kultivatorių, susisiekite su įgaliotu pardavimo atstovu.



PAVOJUS: naudojamas vadovaujantis instrukcijomis įrenginys yra saugus ir patikimas. Prieš naudodami įrenginį įsitikinkite, kad supratote vadovo turinį. Antraip galima susižeisti arba sugadinti įrangą.

Mokymasis / informacija

Prieš naudodami įrenginį susipažinkite, kaip tinkamai jį naudoti ir kontroliuoti. Sužinokite, kaip staigiai sustabdyti variklį.

Įrenginį visada privaloma naudoti atsižvelgiant į naudojimo vadove pateikiamas rekomendacijas.

Nepamirškite, kad už nelaimingus nutikimus arba pavojingas reakcijas aplinkiniams žmonėms ir jų turtui, atsakingas naudotojas. Naudotojas įpareigotas įvertinti galimus pavojus ir pašalinti nuo žemės paviršiaus pavojingus objektus bei imtis visų priemonių, būtinų saugumui užtikrinti, ypač ant šlaitų ir ant palaidos, slidžios ir nelygios žemės.

Neleiskite vaikams bei suaugusiems, nesusipažinusiems su instrukcijomis, naudotis įrenginiu. Jūsų vietovėje amžių gali riboti vietos įstatymai.

Niekada nedirbkite, kai 20 metrų spinduliu aplink įrenginį yra žmonių, ypač vaikų arba gyvūnų; naudotojui niekada negalima paleisti valdymo rankenų.

Nenaudokite įrenginio, jei vartojate vaistus arba kitas medžiagas, dėl kurių sulėtėja reakcija arba apima mieguistumas.

Būkite ypač atsargūs judėdami kietu paviršiumi, nes ant jo įrenginys yra gerokai nestabilesnis nei ant kultivuotos žemės.

Dirbdami visada dėvėkite tvirtą, neslystantį apavą ir aptemptas ilgas kelnes. Įrenginio nenaudokite basomis arba avėdami sandalus. Rekomenduojame naudoti apsaugines ausines.

Įrenginį naudokite tik kasimo darbams. Jį naudojant kitoms paskirtims, galima sukelti pavojų arba sugadinti įrenginį.

Paruošimas

Atidžiai apžiūrėkite vietą, kurioje bus naudojamas įrenginys ir pašalinkite visus pašalinius objektus, kuriuos įrenginys gali išsviesti (akmenis, vielos gabalus, šukes, metalinius objektus...).

Prieš naudodami visada patikrinkite įrenginį, kad įsitikintumėte, ar įrankiai nesusidėvėję ir nepažeisti. Susidėvėjusias arba pažeistas dalis pakeiskite.

Rūpinkitės gera varikliui stabdyti skirtų lynų būkle, kad jie garantuotai išjungtų variklį.

Patikrinkite, ar nesisunkia benzinas arba alyva.

Nenaudokite įrenginio be jo apsauginių gaubtų ir įsitikinkite, kad visi tvirtinimo elementai priveržti.

Naudojimas

Įrenginiu niekada nevežiokite žmonių.

Užvesdami variklį vadovaukitės gamintojo instrukcijomis ir laikykite kojas atokiau peilio (-ių).

Jei įrenginys nenaudojamas, variklį išjunkite.

Nešdami įrenginį nebėkite.

Itin atsargiai traukite įrenginį link savęs atsargiai keiskite sukimosi kryptį (jeigu reikia).

Laikykites saugaus atstumo, lygaus vairo kolonėlės ilgiui, nuo besisukančių peilių.

Nekiškite rankų ar kojų prie arba po besisukančiomis dalimis.

Jeigu pastebėjote:

- neįprastą vibraciją,
- kliuvinį,
- sankabos įjungimo arba išjungimo sutrikimą,
- susidūrimą su pašaliniu objektu,
- suprastėjusią variklio stabdymo lyno būklę.

Nedelsdami sustabdykite variklį (jei variklio stabdymo lynas nutrūko, variklį išjunkite starterio rankenėle, kaip nurodyta pastraipoje „variklio užvedimas“), palaukite, kol įrenginys atauš, atjunkite uždegimo žvakę laidą, apžiūrėkite įrenginį ir prieš naudodami dar kartą, pasirūpinkite, kad įgaliotą specialistą atliktų būtinus remonto darbus.

Dirbkite tik dienos šviesoje arba esant geram apšvietimui.

Nenaudokite įrenginio ant daugiau kaip 20° statumo šlaitų.

Ant šlaitų dirbkite horizontalia, o ne vertikalia trajektorija.

Ant nuožulnios žemės stenkitės eiti kuo tvirtiau, atsargiai keiskite kryptį.

Naudojant ne rekomenduojamus priedus įrenginys gali kelti pavojų arba sugesti ir jam nebus taikoma garantinė priežiūra.

Priežiūra / saugojimas

Prieš valydami, atlikdami apžiūrą, reguliuodami, atlikdami priežiūros darbus arba keisdami įrankius išjunkite variklį ir atjunkite uždegimo žvakę.

Keisdami įrankius išjunkite variklį, atjunkite uždegimo žvakę ir apsimaukite storas pirštines.

Priveržkite visas varžles ir varžtus, kad įrenginiu būtų saugu naudotis.

Kad nekiltų gaisro pavojus, variklio, duslintuvo ir kuro saugojimo vietoje nelaikykite augalų, panaudotos alyvos ar kitų degių medžiagų.

Sugedusį duslintuvą paprašykite pakeisti įgalioto specialisto.

Dalių netaisykite; pakeiskite jas atsarginėmis gamintojo dalimis.

Kad peiliai būtų subalansuoti, iš karto keiskite visą rinkinį.

Savo pačių saugumui nekeiskite įrenginio parametrų. Nekeiskite variklio greičio nustatymų ir neleiskite varikliui veikti per dideliu greičiu. Reguliari priežiūra yra būtina saugumui užtikrinti ir nuolatiniam našumui palaikyti.

Prieš palikdami įrenginį saugojimo vietoje palaukite kol atauš variklis.

Pavojinga / Benzinas yra ypač degus!

Kurą laikykite tam pritaikytose talpose. Baką visada papildykite lauke ir tai darydami nerūkykite.

Neatsukite kuro bakelio dangtelio ir nepilkite benzino, kai variklis veikia arba yra įkaitęs.

Išlieję benzino ant žemės neužveskite variklio. Perkelkite įrenginį į kitą vietą ir saugokitės atviros liepsnos, kol išsisklaidys benzino garai.

Saugokite įrenginį sausoje vietoje. Niekada nelaikykite įrenginio patalpoje, kurioje benzino garai gali pasiekti liepsną, kibirkštis arba didelio karščio šaltinį.

Tinkamai užsukite kuro bakelio ir benzino kanistro dangtelius.

Nepilkite sklidino bakelio, kad benzinas neišsilietų.

Neleiskite varikliui veikti uždarose patalpose, kur gali susikaupti anglies monoksido garai.

Anglies monoksidas gali būti mirtinas. Pasirūpinkite geru vėdinimu.

Gabenimas, judinimas, transportavimas

Visus darbus su įrenginiu išskyrus kasimą būtina atlikti išjungus variklį.

Įrenginį būtina gabenti naudojant transportavimo ratą kaip nurodyta skyriuje „Gabenimas“, išskyrus kasant žemę.

Judinimas: nebandykite kelti įrenginio. Įrenginio svoris nurodytas gamintojo lentelėje, šio vadovo gale. Įrenginį judinkite atsižvelgdami į jo svorį ir padėtį, kad užtikrintumėte saugumą.

Įkeldami arba iškeldami įrenginį į arba iš priekabos, naudokite tinkamą rampą. Pritvirtinkite įrenginį, kad jį transportuoti būtų saugu.

Įrenginį reikia transportuoti priekaboje; netransportuokite jo jokia kitu būdu.

EN

BG

HR

CZ

DA

NL

ET

FI

FR

DE

GR

HU

IT

LV

LT

NO

PL

PT

RO

RU

SK

SL

ES

SE

TR

UK

PIKTOGRAMŲ REIKŠMĖS



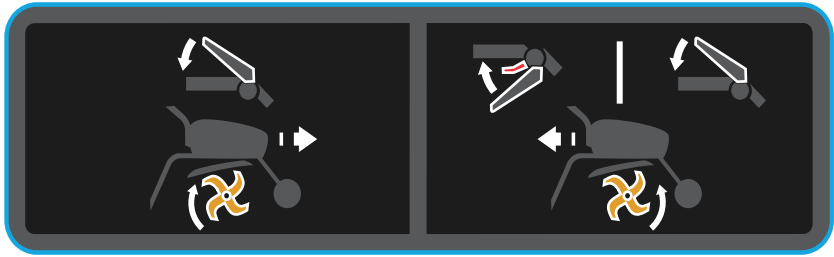
ĮSPĖJIMAS
Pavojainga

ĮSPĖJIMAS
Laikykitės saugaus atstumo

ĮSPĖJIMAS
Besisukantys įrankiai

ĮSPĖJIMAS
Prieš atlikdami darbus
atsižvelkite į naudojimo
vadovą ir išimkite uždegimo
žvakę.

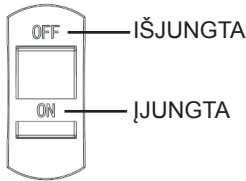
ĮSPĖJIMAS
Perskaitykite naudojimo
vadovą.



PIRMYN

ATBULINĖ EIGA

Stabdymo jungiklis



Garantuotas
triukšmingumas



Būtina naudoti apsauginės
ausines.

TECHNINĖ INFORMACIJA

Modelis	MFT85 210R	Nominalus galingumas AG (kW) esant aps./min	4.8 (3,6) esant 3100
Kasimo plotis (mm)	780	Pavaros	-1,0,1
Kasimo gylis (mm)	100–200	Transmisijos alyva	Tepalas
Variklio tipas	McCulloch 210 (WM170F-2/P)	Bendrasis svoris (kg)	65,0
Degalai	Benzinas	Grynasis svoris (kg)	60,0
Degalų bakelio talpa (L)	3,60	Pakuotės dydis, (mm)	780 x 500 x 660
Alyvos talpa (L):	0,35	Atestavimas	CE, EAC
Darbinis tūris	212 cm ³	Garantuotas garsinis slėgis	2 dB(A)
Garsinis slėgis	78 dB(A)	Vibracijos neapibrėžtis	2%
Triukšmingumas	98 dB(A)	Rankenų vibracijos reikšmė	Kairioji rankena: 7,2 mm/s ² Dešinioji rankena: 7,4 mm/s ²
Triukšmo neapibrėžtis	2 dB(A)		

IŠPAKAVIMAS / SURINKIMAS

Pastaba. Dėl nuolatinio siekio tobulinti produktus gamintojas pareiškia, kad šio vadovo vientisumas nenumatytas sutartyje, ir pasilieka teisę be išankstinio įspėjimo modifikuoti įrenginio charakteristikas.



Išpakavimas



ĮSPĖJIMAS.

Saugokitės, kad prapjaudami dėžę neperpjautumėte laidų ir nesubraižytumėte dažyto paviršiaus.

Nuor.	Pakuotės turinys
A	Variklio dalis
B	Pasipriešinimo strypas
C	Priekinis ratas
D	Stovo vamzdis
E	Laikančiojo strypo gaubtas
F	Rankenėlė
G	Akėtvirbalių gaubtas
H	Pagrindinis akėtvirbalis, dešinysis
I	Pagrindinis akėtvirbalis, akėtvirbalis
J	Bėgis
K	Akėtvirbalių gaubtas
L	Įrankių krepšys
M	Augalų apsauga
N	Papildomas akėtvirbalis 1, kairysis
O	Papildomas akėtvirbalis 1, dešinysis
P	Papildomas akėtvirbalis 2, kairysis
Q	Papildomas akėtvirbalis 2, dešinysis



Surinkimas



ĮSPĖJIMAS.

Netinkamai surinktas kultivatorius gali rimtai sužaloti. Rūpestingai vadovaukitės instrukcijomis.

1 Akėtvirbalių gaubto tvirtinimas.

2 Pirmosios akėtvirbalių grupės tvirtinimas.

Pasirūpinkite, kad visi ašmenys atsukti į tą pačią pusę.

3 Pasipriešinimo strypo tvirtinimas.

4 Priekinio rato tvirtinimas.

5 Stovo vamzdžio tvirtinimas.

6 Laikančiojo strypo tvirtinimas.

7 Laikančiojo strypo gaubto tvirtinimas.

8 Nuo nešvarumų saugančio gaubto tvirtinimas.

9 Antrosios dešinėsios akėtvirbalių grupės tvirtinimas.

10 Antrosios kairiosios akėtvirbalių grupės tvirtinimas.

11 12 Trečiosios kairiosios ir dešinėsios akėtvirbalių grupės tvirtinimas.

13 14 Augalų apsaugos montavimas



Įspėjimas:

visiškai surinkę įrenginį atsargiai priveržkite varžtus: nepriveržkite per stipriai.

Pastaba. Ardymo darbus gali atlikti tik įgaliotos dirbtuvės.



Komponentų aprašas

- 1 -Variklis
- 2 -Sankabos rankena
- 3 -Laikančiojo strypo gaubtas
- 4 -Įjungimo / išjungimo jungiklis
- 5 -Augalų apsauga
- 6 -Akceleratoriaus svirtis
- 7 -Rankenos
- 8 -Perjungimo svirtis
- 9 -Akėtvirbalis
- 10 -Pasipriešinimo strypas
- 11 -Priekinis ratas



Įrenginio identifikacijos plokštelė



Transportavimo ratukas

A = Darbinė padėtis.
B = Transportavimo padėtis

ĮRENGINIO PALEIDIMAS



Variklio alyvos pildymas ir lygio tikrinimas



Benzino pildymas



Alyvos švirkštimas į nurodytą tašką



Atverkite benzino jungiklį



Nustatykite oro sklendę į B padėtį



Akceleratoriaus gaidukas

Perstumkite svirtį į: **H**



Įjungimo / išjungimo jungiklį nustatykite į padėtį „ON“.



Patraukite rankinio paleidimo rankenėlę



Nustatykite oro sklendę į B padėtį



Įspėjimas:

paleidę įrenginį nesitraukite iš saugios zonos.

EN

BG

HR

CZ

DA

NL

ET

FI

FR

DE

GR

HU

IT

LV

LT

NO

PL

PT

RO

RU

SK

SL

ES

SE

TR

UK

NAUDOJIMAS



3.1

Pirmyn

1. Nelieskite atbulinės eigos sankabos.
- 2-A. Atrakinkite sankabos rankeną.
- 2-B. Nuspauskite sankabos rankeną.



Visada rūpinkitės, kad 20 metrų spinduliu aplink įrenginį zona būtų saugi.



3.2

Atbulinė pavara

- 1-A. Perjunkite raudoną atbulinės eigos rankeną
- 1-B. Suspauskite atbulinės eigos rankeną
- 2-A. Atrakinkite sankabos rankeną.
- 2-B. Nuspauskite sankabos rankeną.



Visada rūpinkitės, kad 20 metrų spinduliu aplink įrenginį zona būtų saugi.



Atbulinę eigą naudoti pavojinga. Prieš įjungdami sankabą įsitikinkite, kad už jūsų nėra kliūčių.

SUSTABDYMAS



4.1

Besisukančių įrankių stabdymas

Atleiskite sankabos svirtis



4.3

Variklio išjungimas

Įjungimo / išjungimo jungiklį nustatykite į padėtį OFF.



4.5

Uždarykite kuro vožtuvą



4.2

Sumažinkite akceleratoriaus lygį

Akceleratoriaus svirtį perstumkite į:



4.4

Nustatykite oro sklendę į B padėtį

PRIEŽIŪROS LENTELĖ

Kasdienis tikrinimas

Prieš paleisdami variklį patikrinkite šiuos taškus.

- Negali būti neprivertžtų arba nulūžusių varžtų.



4.5

■ Oro filtro elemento švara



Nevalykite oro filtro elemento putų degiu skiedikliu.



2.1

■ Patikrinkite tepimo alyvos lygį

- Ar nesisunkia benzinas arba tepimo alyva.



2.2

■ Pakanka benzino

- Rūpinkitės įrenginio švara.

- Aplinkos tausojimas.

- Nejprasta vibracija arba per didelis triukšmas.

Po pirmųjų 20 darbo valandų arba kiekvieną mėnesį

- Pakeiskite variklio ir pavarų dėžės tepimo alyvą.

Kas 50 valandų arba kas 3 mėnesius

- Išvalykite oro filtrą* (2 pav. 4.5).

Kas 100 valandų arba kas 6 mėnesius

- Išvalykite filtrą.
- Pakeiskite variklio ir pavarų dėžės tepimo alyvą.
- Išvalykite žvakę.
- Nuvalykite uždegimo žvakės gaubtą.

Kas 300 valandų arba kartą per metus

- Pakeiskite oro filtrą*.
- Patikrinkite vožtuvo eigą**.
- Degimo žvakės keitimas
- Išvalykite kuro filtrą**.
- Išvalykite degimo kamerą**.
- Patikrinkite akėtvirbalių gaubtą**.
- Patikrinkite kuro magistralę**.

* Naudodami dulkių siurbtuvą arba skraidančių šiukšlių gausioje aplinkoje valykite dažniau.

** Būtina tik susidūrus su veikimo problemomis (būtina priežiūra įgaliotose dirbtuvėse).

EN

BG

HR

CZ

DA

NL

ET

FI

FR

DE

GR

HU

IT

LV

LT

NO

PL

PT

RO

RU

SK

SL

ES

SE

TR

UK



Gabenimas



Sustabdykite variklį.

A Nustatykite ratą į gabenimo padėtį.

B Nuleiskite rankenas į žemesnę padėtį, kad įrenginį būtų lengviau gabenti.

C Pakelkite įrenginį už rankenų, kad peiliai pakiltų nuo žemės, ir judėkite pirmyn.

EN

BG

HR

CZ

DA

NL

ET

FI

FR

DE

GR

HU

IT

LV

LT

NO

PL

PT

RO

RU

SK

SL

ES

SE

TR

UK

- EN
- BG
- HR
- CZ
- DA
- NL
- ET
- FI
- FR
- DE
- GR
- HU
- IT
- LV
- LT**
- NO
- PL
- PT
- RO
- RU
- SK
- SL
- ES
- SE
- TR
- UK



EB ATITIKTIES DEKLARACIJA



šiam įrenginiui

Gaminio pavadinimas: Motorinis kultivatorius
Komerčinis pavadinimas: N/A
Paskirtis: Motorinis kultivatorius (be varančiųjų ratų)
Tipas: Benzininis
Modelio nr.: MFT85 210R
Serijos nr.: 16H190570 (5 zona)

šis dokumentas patvirtina, kad įrenginys atitinka visas jam taikomas sąlygas, nurodytas

Mašinų direktyvoje (2006/42/EB)

o šis darnusis standartas parengtas naudojant

EN 709: 1997 + A4: 2009
EN 709: 1997 + A4/AC:2012

šis dokumentas patvirtina, kad įrenginys atitinka visas jam taikomas sąlygas, nurodytas

Elektromagnetinės atitikties direktyvoje (2014/30/ES)

o šis darnusis standartas parengtas naudojant:

EN ISO 14982: 2009

Už šios deklaracijos žymėjimą atsakingas:

Gamintojas : Husqvarna AB
Adresas : SE561 82 HUSKVARNA ŠVEDIJA

UŽ ES techninių dokumentų rengimą atsakingas asmuo:

Vardas, pavardė : Husqvarna AB
Adresas : SE561 82 HUSKVARNA ŠVEDIJA

Už šios deklaracijos žymėjimą atsakingas asmuo:

Vardas, pavardė : John Thompson
Pareigos : Produktų ir rinkodaros vadovas, EUAP vartotojų skyrius
Vieta : „Husqvarna UK Ltd“, Preston Road
Aycliffe Industrial Park. Newton Aycliffe
Co. Durhamas, DL5 6UP
Data : 2016 m. lapkričio 15 d.

(Įmonės atspaudas ir parašas)

SIKKERHETSREGLER

Vær spesielt oppmerksom på avsnitt som er merket som følger:



FARE: Dette indikerer stor sannsynlighet for alvorlige eller livstruende skader hvis instruksjonene ikke følges.

ADVARSEL: Dette indikerer fare for personskade eller skade på utstyret hvis instruksjonene ikke følges.

MERK: Dette indikerer nyttig informasjon.



Dette symbolet minner deg om å være forsiktig med visse operasjoner.

Hvis du har problemer med eller spørsmål om jordfreseren, kan du kontakte en godkjent leverandør.



FARE: Denne maskinen er konstruert for sikker og pålitelig drift så lenge den brukes som anvist. Før du bruker maskinen, må du forsikre deg om at du har forstått innholdet i denne bruksanvisningen. Ellers kan du bli skadet, og utstyret kan bli skadet..

Opplæring/informasjon

Gjør deg kjent med riktig bruk og kontrollene før du bruker maskinen. Sørg for at du vet hvordan du stopper motoren raskt.

Maskinen må alltid brukes i henhold til anbefalingene i denne bruksanvisningen.

Husk at brukeren er ansvarlig for ulykker eller farlige situasjoner som involverer andre personer eller eiendelene deres. Det er brukerens ansvar å vurdere potensielle risikoer fra området som skal freses, og å ta alle nødvendige forholdsregler for å sikre at det er trygt, spesielt i bakker og på løst, glatt eller ujevnt underlag.

La aldri barn eller personer som ikke har satt seg inn i bruksanvisningen, bruke maskinen. Det kan være lokale lover som setter en minimumsalder for brukerne.

Arbeid aldri når det er andre mennesker, spesielt barn, eller dyr innenfor en radius på 20 meter fra maskinen. Brukeren må nødvendigvis bli værende ved styret.

Bruk ikke maskinen hvis du har tatt medisin eller andre stoffer som kan redusere reaksjonstiden eller gjøre deg søvnnig.

Vær spesielt oppmerksom når bakken er hard, for maskinen har en tendens til å være mindre stabil på hard mark enn på dyrket jord.

Bruk alltid solid og sklisikkert fotteøy og lange bukser med slank passform når du arbeider. Bruk ikke maskinen uten sko eller med sandaler. Hørselsvern anbefales.

Bruk maskinen til det formålet den er laget for, nemlig graving i bakken. All annen bruk kan være farlig eller forårsake skade på maskinen.

Forberedelse

Inspiser området der maskinen skal brukes, nøye, og fjern eventuelle gjenstander som kan slynges ut av maskinen (steiner, vaier, glass, metallobjekter ...).

Før bruk må du alltid kontrollere maskinen for å sikre at verktøyene ikke er slitte eller skadde. Bytt ut eventuelt slitte eller skadde deler.

De elektriske kablene som stopper motoren, må holdes i god stand, slik at det er sikkert at de slår av motoren.

Kontroller at det ikke lekker bensin eller olje.

Bruk ikke maskinen uten de tilhørende beskyttelsene, og kontroller at alle koblinger er stramme.

Bruk

Transporter aldri mennesker på maskinen.

Vær forsiktig når du starter motoren. Følg produsentens instruksjoner, og hold føttene unna kniven(e).

Stopp motoren når maskinen ikke er i bruk.

Når du holder i maskinen, må du gå, og ikke løpe.

Vær ytterst forsiktig når du trekker maskinen mot deg, eller når du bytter rotasjonsretning.

Hold deg på trygg avstand fra roterende kniver – dette angis av lengden på rattstammen.

Ikke ha hender og føtter i nærheten av eller under roterende deler.

Hvis noe av følgende oppstår:

- unormal vibrasjon
- en blokkering
- et problem med å trykke inn eller slippe clutchen
- en kollisjon med et fremmedlegeme
- forringelse av kabelen som stanser motoren

Stans motoren umiddelbart (hvis kabelen som stanser motoren, er ødelagt, må du bruke startkontrolleren slik det er beskrevet i avsnittet Starte motoren), la maskinen kjøle seg ned, koble fra tennpluggledningen, undersøk maskinen og få en godkjent reparatør til å utføre reparasjoner før du bruker den igjen.

Bruk maskinen kun i dagslys eller i god belysning.

Bruk ikke maskinen i skråninger som heller mer enn 20°.

Arbeid på tvers av skråninger, ikke opp eller ned skråningene.

Pass på å holde fotfestet i skrått terreng, og skift retning svært forsiktig.

Hvis du bruker annet tilbehør enn det som er anbefalt, kan maskinen bli farlig å betjene, og det kan forårsake skade på maskinen som ikke dekkes av garantien.

Vedlikehold/oppbevaring

Stopp motoren og koble fra tennpluggen før rengjøring, kontroll, justering og vedlikehold av maskinen eller verktøyskifte.

Stopp motoren, koble fra tennpluggen og bruk tykke hansker når du skifter verktøy.

Sørg for at alle mutre og bolter sitter godt, for å sikre trygg bruk.

For å redusere faren for brann må du holde området der du oppbevarer motoren, lyddemperen og drivstoffet, fritt for planter, spillolje og andre brennbare materialer.

Hvis eksospotten er defekt, må den skiftes av en godkjent reparatør.

Ikke reparer deler. Bytt dem ut med leverandørens egne reservedeler.

Bytt ut hele settet av kappskiver for å holde dem balanserte.

For din egen sikkerhet må du ikke endre maskinens egenskaper. Ikke endre turtallinnstillingene, og ikke kjør motoren ved overdreven hastighet. Regelmessig vedlikehold er viktig for sikkerheten og for å opprettholde ytelsen.

La motoren avkjøles før du setter den til oppbevaring.

Fare! Bensin er svært brannfarlig!

Oppbevar drivstoff på beholdere som er spesialdesignet for det. Fyll alltid tanken utendørs, og ikke røyk mens du gjør det.

Ikke skru av tanklokket eller fyll opp med bensin mens motoren går eller fortsatt er varm.

Hvis du søler bensin på bakken, må du ikke prøve å starte motoren. Flytt maskinen til et annet sted, og unngå åpen flamme til bensindampen har forsvunnet.

Oppbevar maskinen på et tørt sted. Oppbevar aldri maskinen i en bygning der bensindampen kan komme i kontakt med flammer, gnister eller kilder til intens varme.

Sett hettene til drivstofftanken og bensinkannen ordentlig på.

Begrens mengden bensin på tanken for å redusere søl.

Ikke kjør motoren i et lukket rom hvor det kan akkumuleres karbonmonoksid.

Karbonmonoksid kan være dødelig. Sørg for god ventilasjon.

Flytting, transport

Enhver handling på maskinen, bortsett fra bakkegraving, må utføres mens motoren er stoppet.

Bortsett fra ved bakkegraving må maskinen flyttes ved hjelp av transporthjulet, slik det er beskrevet i avsnittet Flytting.

Håndtering: Ikke prøv å løfte maskinen. Maskinens vekt er angitt på fabrikkplaten på slutten av denne bruksanvisningen. Bruk en håndteringsmetode som er tilpasset maskinens vekt og situasjonen, for å garantere sikkerheten.

Bruk en egnet rampe ved lasting eller lossing til eller fra en tilhenger. Fest maskinen på riktig vis for sikker transport.

Maskinen bør transporteres på en tilhenger, ikke bruk noen andre transportmetoder.

EN

BG

HR

CZ

DA

NL

ET

FI

FR

DE

GR

HU

IT

LV

LT

NO

PL

PT

RO

RU

SK

SL

ES

SE

TR

UK

DEFINISJON AV PIKTOGRAMMENE

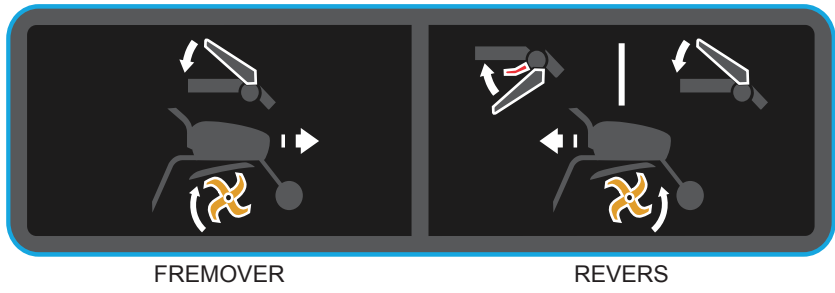
 **ADVARSEL**
Fare

 **ADVARSEL**
Hold sikker avstand

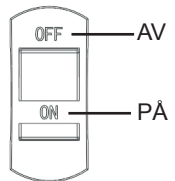
 **ADVARSEL**
Roterende verktøy

 **ADVARSEL**
Se i bruksanvisningen og fjern tennpluggen før du utfører arbeid.


 **ADVARSEL**
Les bruksanvisningen



Stoppbryter



Garantert lydeffektnivå

 Hørselsvern må brukes.

TEKNISK INFORMASJON

Modell	MFT85 210R	Nominal.power hp (kW) @ rpm	4,8 (3,6) ved 3100
Pløyebredde (mm)	780	Gir	-1,0,1
Pløyedybde (mm)	100-200	Transmisjonsolje	Fett
Motortype	McCulloch 210 (WM170F-2/P)	Bruttovekt (kg)	65,0
Drivstoff	Bensin	Nettovekt (kg)	60,0
Drivstofftankens kapasitet (l)	3,60	Pakningsstørrelse (mm)	780 x 500 x 660
Oljekapasitet (l)	0,35	Sertifisering	CE, EAC
Volum	212 cc	Garantert akustisk trykknivå	2 dB(A)
Lydtrykknivå	78 dB(A)	Vibrasjonsusikkerhet	2 %
Lydeffektnivå	98 dB(A)	Styrets vibrasjonsnivå	Venstre håndtak: 7,2 mm/s ² Høyre håndtak: 7,4 mm/s ²
Støyusikkerhet	2 dB(A)		

UTPAKKING/MONTERING

Merk: Siden produsenten stadig ønsker å forbedre produktene sine, opplyser produsenten om at hele denne bruksanvisningen ikke er kontraktsmessig, og de forbeholder seg retten til å endre maskinens spesifikasjoner uten varsel.

Utpakking

1.1



ADVARSEL:

Vær forsiktig så du ikke kutter kablene eller skraper opp malingen når du skjærer opp esken.

Ref.	Innholdet i kassen
A	Motordel
B	Motstandsstang
C	Forhjul
D	Standrør
E	Håndtaksdeksel
F	Knott
G	Samlingsdeksel
H	Hovedtinder, høyre
I	Hovedtinder, venstre
J	Skinne
K	Tinderdeksel
L	Verktøysveske
M	Plantevern
N	Undertinder -1, venstre
O	Undertinder -1, høyre
P	Undertinder -2, venstre
Q	Undertinder -2, høyre



Montering



ADVARSEL:

Feilmontering av denne roterende jordfreseren kan føre til alvorlige skader. Sørg for at du følger alle instruksjonene nøye.

1 Montering av tinderdeksel.

2 Montering av den første tindergruppen.

Pass på at de skarpe kantene vender i én retning.

3 Montering av motstandsstang.

4 Montering av forhjul.

5 Montering av standrør.

6 Montering av skinne.

7 Montering av håndtaksdeksel.

8 Montering av samlingsdeksel.

9 Montering av den andre tindergruppen – høyre.

10 Montering av den andre tindergruppen – venstre.

11 12 Montering av den tredje tindergruppen – venstre og høyre.

13 14 Montering av planteskjerm



Advarsel:

Etter at montering av maskinen er fullført, må alle bolter og skruer trekkes til. Ikke stram for mye.

Merk: Eventuell demontering må bare utføres av et godkjent verksted.



Beskrivelse av komponentene

- 1 -Motor
- 2 -Clutchhåndtak
- 3 -Håndtaksdeksel
- 4 -Strømbryter
- 5 -Plantedeksel
- 6 -Gassregulator
- 7 -Håndtakssett
- 8 -Hevarmvexling
- 9 -Tinder
- 10 -Motstandsstang
- 11 -Forhjul



Maskinens ID-skilt



Transporthjul

- A = Arbeidsstilling
- B = Transportstilling

STARTE MASKINEN



Fylling av motorolje og kontroll av nivået



Etterfylling av bensin



Fylling av olje til merket posisjon



Åpne bensinbryter



Still choken til posisjon A



Gassregulator

Sett hevarmen til: **H**



Flytt strømbryteren til ON



Trekk i håndtaket for startsnoren



Still choken til posisjon B



Advarsel:

Når maskinen starter, må du forbli i sikkerhetssonen.

EN

BG

HR

CZ

DA

NL

ET

FI

FR

DE

GR

HU

IT

LV

LT

NO

PL

PT

RO

RU

SK

SL

ES

SE

TR

UK

BRUK



Fremover

3.1

1. La reversclutchen være som den er.
- 2-A. Frigjør clutchhåndtaket.
- 2-B. Trå inn clutchhåndtaket.



Oppretthold en sikkerhetssone på 20 m i radius rundt maskinen.



Revers

3.2

- 1-A. Slå på den røde reversbryteren
- 1-B. Klem inn reversstyret
- 2-A. Frigjør clutchhåndtaket.
- 2-B. Trå inn clutchhåndtaket.



Oppretthold en sikkerhetssone på 20 m i radius rundt maskinen.



Bruk av revers er farlig. Kontroller at det ikke er noen hindringer bak deg og reduser turtallet før du kobler inn clutchen.

STOPPE MOTOREN



Stoppe roterende verktoy

4.1

Slipp opp kløtsjen.



Stoppe motoren

4.3

Flytt strømbryteren til OFF.



Lukke drivstoffkranen

4.5



Slipp opp gassen

4.2

Sett gassregulatoren til: **L**



Still choken til posisjon A

4.4

VEDLIKEHOLDSTABELL

Daglig kontroll

Før du starter motoren, må du kontrollere følgende.

- Ingen av mutrene og boltene må være løstnet eller ødelagte.



■ Rensligheten til luftfilterelementet

4.5



Ikke bruk brennbare løsemidler til rengjøring av luftfilterelementet i skum.



■ Kontroller oljenivået

2.1

- Ingen lekkasje av bensin eller olje.



■ Tilstrekkelig med bensin

2.2

- Hold maskinen ren.

- Miljøtenkning.

- Ingen unormale vibrasjoner eller kraftig støy

Etter de første 20 driftstimene eller hver måned

- Skift ut motoroljen og girkasse.

Hver 50. driftstime eller hver 3. måned

- Rengjør luftfilteret* (2 Fig. 4.5).

Hver 100. driftstime eller hver 6. måned

- Rengjør filteret:
- Skift ut motoroljen og girkasse.
- Rengjør tennpluggen.
- Rengjør tennpluggdekselet.

Hver 300. driftstime eller én gang i året

- Skift luftfilteret*.
- Kontroller for slakk i ventilen**.
- Skift tennplugg.
- Rengjør drivstoffilteret**.
- Rengjør forbrenningskamrene**.
- Angi tomgang**.
- Kontroller drivstoffkretsen**.

*Rengjør oftere hvis maskinen brukes i omgivelser der luften er støvete eller full av rusk.

**Ikke nødvendig unntatt hvis du opplever ytelsesproblemer (skal utføres av et godkjent verksted).



Flytting



Stopp motoren.

A Sett hjulet i bevegelsesposisjon.

B Sett styret i lav stilling, slik at du kan flytte maskinen.

C Løft knivene fra bakken ved hjelp av håndtakene, og beveg deg fremover.

EN

BG

HR

CZ

DA

NL

ET

FI

FR

DE

GR

HU

IT

LV

LT

NO

PL

PT

RO

RU

SK

SL

ES

SE

TR

UK

- EN EN
- BG
- HR
- CZ
- DA
- NL
- ET
- FI
- FR
- DE
- GR
- HU
- IT
- LV
- LT
- NO**
- PL
- PT
- RO
- RU
- SK
- SL
- ES
- SE
- TR
- UK



EF-SAMSVARSERKLÆRING



For følgende maskiner

Produktnavn: Motorhakke
Kommersielt navn: I/T
Funksjon: Motorhakke (uten drivhjul)
Type: Bensin
Modellnummer: MFT85 210R
Serienummer: 16H190570

bekreftes herved å oppfylle alle de relevante bestemmelsene i

Maskindirektiv (2006/42/EF)

og følgende harmoniserte standarder har blitt etterkommet

EN 709: 1997 + A4: 2009
EN 709: 1997 + A4/AC:2012

bekreftes herved å oppfylle alle de relevante bestemmelsene i

direktivet for elektromagnetisk kompatibilitet (2014/30/EU)

og følgende harmoniserte standarder har blitt etterkommet:

EN ISO 14982: 2009

Ansvarlig for markering av denne erklæringen er

Produsentens navn : Husqvarna AB
Produsentens adresse : SE561 82 HUSKVARNA SVERIGE

Personen som er ansvarlig for å utarbeide de tekniske filene som er etablert innenfor EU

Fornavn, Etternavn : Husqvarna AB
Adresse : SE561 82 HUSKVARNA SVERIGE

Personen som er ansvarlig for å lage denne erklæringen

Fornavn, Etternavn : John Thompson
Stilling/tittel : Product & Marketing Director, Consumer Division EUAP
Sted : Husqvarna UK Ltd, Preston Road
Aycliffe Industrial Park. Newton Aycliffe
Co.Durham, DL5 6UP
Dato : 15. november 2016

(Selskapets stempel og juridisk bindende signatur)

ŚRODKI BEZPIECZEŃSTWA

Należy zwrócić szczególną uwagę na części oznaczone w następujący sposób:



NIEBEZPIECZEŃSTWO: Wskazuje na wysokie prawdopodobieństwo odniesienia poważnych lub śmiertelnych obrażeń w przypadku niestosowania się do instrukcji.

OSTRZEŻENIE: Wskazuje na ryzyko odniesienia obrażeń lub uszkodzenia sprzętu w przypadku nieprzestrzegania instrukcji.

UWAGA: Wskazuje przydatne informacje.



Ten symbol przypomina o wykonaniu pewnych działań.

W przypadku problemów lub pytań dotyczących kultywatora należy skontaktować się z autoryzowanym sprzedawcą.



NIEBEZPIECZEŃSTWO: Produkt jest bezpieczny i niezawodny, jeśli jest używany zgodnie z instrukcjami. Przed użyciem produktu należy zapoznać się z niniejszą instrukcją obsługi. W innym przypadku istnieje ryzyko odniesienia obrażeń lub uszkodzenia sprzętu.

Szkolenie/informacje

Zapoznać się z prawidłową obsługą i elementami sterującymi przed użyciem produktu. Dowiedzieć się, jak nagle zatrzymać silnik.

Produkt należy zawsze używać zgodnie z zaleceniami podanymi w instrukcji obsługi.

Należy pamiętać, że użytkownik ponosi odpowiedzialność za wszystkie wypadki i niebezpieczne sytuacje dotyczące innych osób i ich mienia. Obowiązkiem użytkownika jest określenie potencjalnego zagrożenia i podjęcie działań mających na celu zabezpieczenie obszaru zwłaszcza na zboczach oraz luźnym, śliskim lub nierównym podłożu.

Nie wolno pozwalać dzieciom ani osobom, które nie zapoznały się niniejszą instrukcją obsługi, na obsługiwanie produktu. Mogą istnieć lokalne przepisy, które określają minimalny wiek użytkowników.

Nie należy używać produktu, jeśli w promieniu 20 m znajdują się inni ludzie, a zwłaszcza dzieci, lub zwierzęta; operator musi koniecznie trzymać kierownicę przy elementach sterujących.

Nie używać produktu po zażyciu leków lub innych substancji, które mogą spowodować reakcję lub wywołać senność.

Należy zwrócić szczególną uwagę na twarde podłoże, ponieważ produkt może stać się wówczas dużo mniej stabilny niż na podłożu obrobionym.

Podczas pracy zawsze należy nosić wytrzymałe obuwie z podeszwą antypoślizgową oraz przylegające długie spodnie. Nie używać produktu boso ani w sandałach. Zalecane są ochronniki słuchu.

Używać produktu zgodnie z przeznaczeniem, jakim jest uprawa gleby. Każde inne zastosowanie może być niebezpieczne lub uszkodzić produkt.

Przygotowanie

Dokładnie sprawdzić teren, na którym ma być używany produkt i usunąć wszystkie przedmioty, które mogłyby zostać przez niego wyrzucone (np. kamienie, druty, szkło, metalowe przedmioty).

Przed użyciem zawsze należy sprawdzić produkt pod kątem zużycia lub uszkodzenia narzędzi. Wymienić wszystkie zużyte lub uszkodzone części.

Utrzymywać w dobrym stanie przewody elektryczne odpowiedzialne za wyłączanie silnika, aby wyłączenie silnika było zawsze możliwe.

Sprawdzić, czy nie ma wycieków benzyny ani oleju.

Nie używać produktu bez obudowy ochronnej i upewnić się, że wszystkie elementy montażowe są dobrze dokręcone.

Użytkowanie

Nigdy nie należy przewozić osób na produkcie.

Podczas uruchamiania silnika należy przestrzegać instrukcji producenta i trzymać stopy w bezpiecznej odległości od ostrzy.

Kiedy produkt nie jest używany, należy wyłączać silnik.

Trzymając produkt, należy chodzić, a nie biegać.

Należy zachować szczególną ostrożność podczas ciągnięcia produktu w swoim kierunku lub zmiany kierunku obrotów (wedle uznania).

Należy zachowywać bezpieczną odległość od obracających się ostrzy, która jest wyznaczona długością kolumny kierownicy.

Nie umieszczać rąk ani nóg w pobliżu lub pod obrotowymi częściami produktu.

W przypadku wystąpienia:

- nietypowych drgań,
- blokady,
- problemu z włączaniem lub wyłączaniem sprzęgła,
- kolizji z innym przedmiotem,
- pogorszenia stanu linki wyłączania silnika natychmiast wyłączyć silnik (jeśli linka wyłączania silnika jest uszkodzona, skorzystać ze stacyjki w sposób opisany w części „Uruchamianie silnika”, aby wyłączyć silnik), poczekać na ostygnięcie produktu, odłączyć przewód świecy zapłonowej, sprawdzić produkt i przeprowadzić niezbędne naprawy w autoryzowanym punkcie serwisowym przed ponownym użyciem.

Pracować tylko w czasie dnia lub przy dobrym sztucznym oświetleniu.

Nie używać produktu na zboczach o nachyleniu przekraczającym 20°.

Pracować w poprzek zbocza, a nie w górę ani w dół.

Zachować stabilność na pochytej powierzchni, bardzo ostrożnie zmieniać kierunek.

Korzystanie z akcesoriów innych niż zalecane może spowodować zagrożenie i uszkodzić produkt w sposób nieobjęty gwarancją.

Konserwacja/przechowywanie

Wyłączyć silnik i odłączyć świecę zapłonową przed przystąpieniem do czyszczenia, przeglądu, regulacji lub konserwacji produktu bądź przed zmianą narzędzi.

W przypadku zmiany narzędzi wyłączyć silnik, odłączyć świecę zapłonową i założyć grube rękawice.

Dbać o prawidłowe dokręcenie wszystkich śrub i nakrętek, aby zapewnić bezpieczne użytkowanie.

Aby zmniejszyć ryzyko pożaru, z silnika, tłumika i zbiornika paliwa należy usuwać rośliny, przepracowany olej i inne łatwopalne materiały.

Jeśli tłumik wydechowy jest uszkodzony, należy wymienić go w autoryzowanym punkcie serwisowym.

Nie naprawiać części. Wymieniać je na części zamienne producenta.

Wymieniać ostrza tnące całymi zestawami, aby zachować ich wyważenie.

Dla własnego bezpieczeństwa nie należy zmieniać charakterystyki produktu. Nie zmieniać ustawień prędkości obrotowej silnika ani nie obsługiwać silnika z nadmierną prędkością obrotową. Regularne konserwacje są niezbędne w celu zachowania bezpieczeństwa i odpowiedniego poziomu wydajności.

Poczekać na ostygnięcie silnika przed odstawieniem produktu na miejsce przechowywania.

Niebezpieczeństwo! Benzyna jest wysoce łatwopalna!

Przechowywać paliwo w przystosowanych do tego zbiornikach. Zawsze należy napełniać zbiornik na zewnątrz. Podczas napełniania zbiornika nie wolno palić.

Nie odkręcać korka paliwa ani nie dolewać benzyny podczas pracy silnika lub gdy jest on nadal gorący.

Jeśli benzyna rozleje się na ziemię, nie uruchamiać silnika. Przemieścić produkt w inne miejsce i unikać stosowania otwartego ognia do czasu rozproszenia oparów benzyny.

Przechowywać produkt w suchym miejscu. Nigdy nie przechowywać produktu w budynku, w którym opary benzyny mogą zetknąć się z płomieniem, iskrą lub intensywnym źródłem ciepła.

Prawidłowo zakładać nakrętki zbiornika paliwa i pojemnika na benzynę.

Ograniczyć ilość benzyny w zbiorniku, aby zmniejszyć ryzyko rozlania.

Nie uruchamiać silnika w zamkniętej przestrzeni, ponieważ może to doprowadzić do gromadzenia się tlenu węgla.

Tlenek węgla może doprowadzić do śmierci. Zapewnić dobrą wentylację.

Przemieszczanie, przenoszenie, transport

Wszystkie prace przy produkcie z wyjątkiem uprawy ziemi muszą być wykonywane przy wyłączonym silniku.

Z wyjątkiem uprawy ziemi produkt należy przemieszczać za pomocą koła transportowego zgodnie z opisem w rozdziale „Przemieszczanie”.

Przenoszenie: nie podnosić produktu. Masa produktu jest podana na tabliczce producenta oraz na końcu tej instrukcji obsługi. Stosować metodę przenoszenia dostosowaną do masy produktu oraz do warunków, aby zachować bezpieczeństwo.

Podczas ładowania produktu na przyczepę lub jego rozładowywania należy korzystać z odpowiedniej rampy. Prawidłowo przymocować produkt, aby zapewnić bezpieczeństwo podczas transportu.

Produkt należy transportować na przyczepie. Nie należy stosować innej metody transportu.

EN

BG

HR

CZ

DA

NL

ET

FI

FR

DE

GR

HU

IT

LV

LT

NO

PL

PT

RO

RU

SK

SL

ES

SE

TR

UK

OPIS PIKTOGRAMÓW



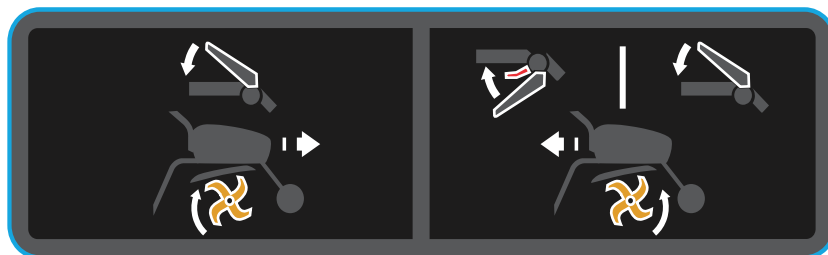
OSTRZEŻENIE
Niebezpieczeństwo

OSTRZEŻENIE
Zachować bezpieczną odległość

OSTRZEŻENIE
Obracające się narzędzia

OSTRZEŻENIE
Sprawdzić instrukcję obsługi i odłączyć świecę zapłonową przed wykonaniem jakichkolwiek czynności.

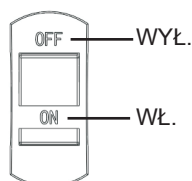
OSTRZEŻENIE
Przeczytać instrukcję obsługi



DO PRZODU

DO TYŁU

Wyłącznik



Gwarantowany poziom mocy akustycznej



Stosować ochronniki słuchu.

INFORMACJE TECHNICZNE

Model	MFT85 210R	Moc znamionowa w KM (kW) przy obr./min	4,8 (3,6) przy 3100
Szerokość uprawy (mm)	780	Biegi	-1,0,1
Głębokość uprawy (mm)	100-200	Olej przekładniowy	Smar
Typ silnika	McCulloch 210 (WM170F-2/P)	Masa brutto (kg)	65,0
Paliwo	Benzyna	Masa netto (kg)	60,0
Pojemność zbiornika paliwa (l)	3,60	Rozmiar opakowania (mm)	780x500x660
Pojemność zbiornika oleju (l)	0,35	Certyfikacja	CE, EAC
Pojemność skokowa cylindra	212 cm ³	Gwarantowany poziom ciśnienia akustycznego	2 dB(A)
Poziom ciśnienia akustycznego	78 dB(A)	Niepewność pomiaru drgań	2%
Poziom mocy akustycznej	98 dB(A)	Wartość wibracji kierownicy	Kierownica z lewej strony: 7,2 mm/s ² Kierownica z prawej strony: 7,4 mm/s ²
Niepewność pomiaru hałasu	2 dB(A)		

ROZPAKOWYWANIE/MONTAŻ

Uwaga: W związku z ciągłym ulepszaniem produktów producent oświadcza, że niniejsza instrukcja nie ma charakteru kontraktowego i zastrzega sobie prawo do zmiany specyfikacji produktów bez wcześniejszego powiadomienia.



Rozpakowanie



OSTRZEŻENIE:

Należy uważać, aby nie przeciąć przewodów ani nie porysować lakieru produktu podczas rozcinaania krawędzi opakowania.

Nr	Zawartość opakowania
A	Część silnika
B	Drażek oporowy
C	Koło przednie
D	Rura pionowa
E	Pokrywa poręczy
F	Pokrętło
G	Pokrywa porządkująca
H	Główny ząb, prawa strona
I	Główny ząb, lewa strona
J	Poręcz
K	Ośłona zębów
L	Torba z narzędziami
M	Ośłona roślin
N	Ząb pomocniczy 1, lewa strona
O	Ząb pomocniczy 1, prawa strona
P	Ząb pomocniczy 2, lewa strona
Q	Ząb pomocniczy 2, prawa strona



Montaż



OSTRZEŻENIE:

Nieprawidłowy montaż głowicy może spowodować poważne obrażenia. Należy przestrzegać instrukcji.

1

Montaż pokrywy zębów.

2

Montaż pierwszej grupy zębów.

Upewnić się, że ostre krawędzie są skierowane w jedną stronę.

3

Montaż drążka oporowego.

4

Montaż przedniego koła.

5

Montaż rury pionowej.

6

Montaż poręczy.

7

Montaż pokrywy poręczy.

8

Montaż pokrywy porządkującej.

9

Montaż drugiej grupy zębów — prawa strona.

10

Montaż drugiej grupy zębów — lewa strona.

11

12

Montaż trzeciej grupy zębów — lewa i prawa strona.

13

14

Montaż osłony roślin.



Ostrzeżenie:

Po zmontowaniu produktu dokręcić wszystkie śruby z zachowaniem umiaru: nie dokręcać zbyt mocno.

Uwaga: demontaż powinien być przeprowadzany wyłącznie w autoryzowanym warsztacie.



Opis elementów

- 1 - Silnik
- 2 - Dźwignia sprzęgła
- 3 - Pokrywa poręczy
- 4 - Wyłącznik
- 5 - Ośłona roślin
- 6 - Dźwignia przepustnicy
- 7 - Kierownica
- 8 - Dźwignia przestawiania
- 9 - Ząb
- 10 - Drażek oporowy
- 11 - Koło przednie



Tabliczka identyfikacyjna maszyny



Koło transportowe

A = Położenie robocze.
B = Położenie transportowe.

URUCHAMIANIE PRODUKTU



Napełnianie olejem silnikowym i sprawdzanie poziomu



Uzupełnianie paliwa



Wtryskiwanie oleju do określonego położenia



Otwórz przełącznik benzyny



Ustaw ssanie w położeniu A



Dźwignia przepustnicy

Ustaw dźwignię w położeniu: **H**



Ustaw wyłącznik w położeniu ON.



Pociągnij rączkę linki rozrusznika



Ustaw ssanie w położeniu B



Ostrzeżenie:

Po uruchomieniu produktu należy pozostać w strefie bezpieczeństwa.

EN

BG

HR

CZ

DA

NL

ET

FI

FR

DE

GR

HU

IT

LV

LT

NO

PL

PT

RO

RU

SK

SL

ES

SE

TR

UK

UŻYTKOWANIE



Do przodu

3.1

1. Pozostaw sprzęgło jazdy do tyłu w obecnej pozycji.
- 2-A. Odblokuj dźwignię sprzęgła.
- 2-B. Naciśnij dźwignię sprzęgła.



Zachować strefę bezpieczeństwa o promieniu 20 m wokół produktu.



Do tyłu

3.2

- 1-A. Przełącz czerwony przełącznik jazdy do tyłu.
- 1-B. Ściśnij dźwignię jazdy do tyłu.
- 2-A. Odblokuj dźwignię sprzęgła.
- 2-B. Naciśnij dźwignię sprzęgła.



Zachować strefę bezpieczeństwa o promieniu 20 m wokół produktu.



Używanie biegu wstecznego jest niebezpieczne. Upewnij się, że z tyłu nie ma żadnych przeszkód i zmniejsz obroty silnika przed włączeniem sprzęgła.

ZATRZYMYWANIE



Zatrzymywanie obracających się narzędzi

4.1

Zwolnij dźwignię sprzęgła.



Zatrzymywanie silnika

4.3

Ustaw wyłącznik w położeniu OFF.



Zamknij kurek paliwa

4.5



Zmniejsz przepustnicę

4.2

Ustaw dźwignię przepustnicy w położeniu:



Ustaw ssanie w położeniu A

4.4

TABELA KONSERWACJI

Kontrole codzienne

Przed uruchomieniem silnika należy sprawdzić następujące punkty.

- Żadna nakrętka ani śruba nie może być poluzowana lub pęknięta.



■ Czystość wkładu filtra powietrza

4.5



Nie stosować łatwopalnego środka do czyszczenia piankowego wkładu filtra powietrza.



■ Sprawdź poziom oleju smarowego

2.1

- Brak wycieków paliwa i oleju smarowego.



■ Wystarczająca ilość benzyny

2.2

- Utrzymuj czystość maszyny.

- Ochrona środowiska.

- Brak nietypowych wibracji i nadmiernego hałasu.

Po pierwszych 20 godz. pracy lub co miesiąc

- Zmień olej silnika i przekładni.

Co 50 godz. pracy lub co 3 miesiące

- Wyczyść filtr powietrza* (2, rys. 4.5).

Co 100 godz. pracy lub co 6 miesięcy

- Wyczyść filtr.
- Zmień olej silnika i przekładni.
- Wyczyść świecę zapłonową.
- Wyczyść osłonę świecy zapłonowej.

Co 300 godz. pracy lub raz w roku

- Wymień filtr powietrza*.
- Sprawdź luz zaworu**.
- Wymień świecę zapłonową.
- Wyczyść filtr paliwa**.
- Wyczyść komorę spalania**.
- Ustaw obroty biegu jałowego**.
- Sprawdź obwód paliwowy**.

* Czyścić częściej w przypadku użytkowania w warunkach zapylenia lub zanieczyszczenia powietrza.

** Nie jest to konieczne, chyba że występują problemy z działaniem (przeprowadzane przez pracowników autoryzowanego warsztatu).



Przemiesz- czanie



Wyłącz silnik.

A Ustaw koło w pozycji do prze-
mieszczania.

B Ustaw kierownicę w dolnej po-
zycji, aby ułatwić przemiesz-
czanie produktu.

C Podnieś ostrza z podłoża za
pomocą kierownicy, a następ-
nie poruszaj się do przodu.

EN

BG

HR

CZ

DA

NL

ET

FI

FR

DE

GR

HU

IT

LV

LT

NO

PL

PT

RO

RU

SK

SL

ES

SE

TR

UK

- EN
- BG
- HR
- CZ
- DA
- NL
- ET
- FI
- FR
- DE
- GR
- HU
- IT
- LV
- LT
- NO
- PL**
- PT
- RO
- RU
- SK
- SL
- ES
- SE
- TR
- UK



DEKLARACJA ZGODNOŚCI WE



Następująca maszyna

Nazwa produktu: Glebogryzarka silnikowa
Nazwa handlowa: nd.
Funkcja: Glebogryzarka silnikowa (bez napędzanych kół)
Typ: Benzyna
Nr modelu: MFT85 210R
Nr seryjny: 16H190570

jest zgodna ze wszystkimi obowiązującymi postanowieniami

dyrektywy maszynowej (2006/42/WE)

i odpowiada następującej normie zharmonizowanej:

EN 709: 1997 + A4: 2009
EN 709: 1997 + A4/AC:2012

jest zgodna ze wszystkimi obowiązującymi postanowieniami

dyrektywy kompatybilności elektromagnetycznej (2014/30/UE)

i odpowiada następującej normie zharmonizowanej:

EN ISO 14982: 2009

Odpowiedzialność za oznaczenie tej deklaracji ponosi

Nazwa producenta : Husqvarna AB
Adres producenta : SE561 82 HUSKVARNA, SZWECJA

Osoba odpowiedzialna za przygotowanie dokumentacji technicznej w UE

Imię i nazwisko : Husqvarna AB
Adres : SE561 82 HUSKVARNA, SZWECJA

Osoba odpowiedzialna za sporządzenie niniejszej deklaracji

Imię i nazwisko : John Thompson
Stanowisko/tytuł : Kierownik ds. produktów i marketingu, dział konsumencki EUAP
Miejsce : Husqvarna UK Ltd, Preston Road
Aycliffe Industrial Park. Newton Aycliffe
Co.Durham,DL5 6UP
Data : 15 listopada 2016

(pieczęć firmowa i podpis osoby uprawnionej)

PRECAUÇÕES DE SEGURANÇA

Preste especial atenção às secções assinaladas da seguinte forma:



PERIGO: Isto indica uma forte probabilidade de ferimentos graves ou mesmo fatais se não obedecer às instruções.

AVISO: Indica um risco de ferimentos ou danos no equipamento se não seguir as instruções.

NOTA: Indica uma informação útil.



Este símbolo lembra-o que tenha cuidado com determinadas operações.

Caso tenha algum problema ou questão relacionada com o cultivador, contacte o fornecedor autorizado.



PERIGO: A máquina foi concebida para um serviço seguro e fiável se for utilizada conforme as instruções. Antes de utilizar a máquina, certifique-se de que compreendeu o conteúdo deste manual. Caso contrário, pode ficar ferido e danificar o equipamento.

Formação/Informações

Familiarize-se com a utilização adequada e os controlos antes de utilizar a máquina. Saiba como desligar o motor rapidamente.

A máquina deve ser sempre utilizada de acordo com as recomendações fornecidas no manual de instruções.

Lembre-se de que o utilizador é responsável por quaisquer acidentes ou reações perigosas que ocorram com outras pessoas ou respetivos pertences. É da sua responsabilidade avaliar os potenciais riscos do solo a limpar e tomar todas as precauções necessárias para garantir a segurança, em particular em declives e em solo instável, escorregadio ou desnivelado.

Nunca permita que as crianças ou pessoas que não estejam familiarizadas com estas instruções utilizem a máquina. Podem existir leis locais que definam uma idade mínima para os utilizadores.

Nunca trabalhe quando existirem pessoas, especialmente crianças, ou animais num raio de 20 metros da máquina; o operador tem de manter necessariamente o controlo dos manípulos.

Não utilize a máquina se estiver a tomar medicamentos ou outras substâncias que possam diminuir o seu tempo de reação ou fazê-lo sentir-se sonolento.

Preste especial atenção em superfícies duras, porque a máquina tem a tendência de ser muito menos estável do que em superfícies cultivadas.

Utilize sempre calçado resistente e antideslizante, bem como calças compridas justas durante o trabalho. Não utilize a máquina descalço ou com sandálias. Recomenda-se a utilização de protetores de orelhas.

Utilize a máquina para o objetivo para que se destina: escavação do solo. Qualquer outra utilização pode ser perigosa ou causar danos na máquina.

Preparação

Inspecione cuidadosamente a área onde a máquina vai ser utilizada e remova quaisquer objetos que possam ser projetados pela máquina (pedras, fios, vidro, objetos de metal, etc.).

Antes da utilização, verifique sempre a máquina para garantir que as ferramentas não estão gastas ou danificadas; substitua quaisquer peças gastas ou danificadas.

Mantenha os cabos elétricos de desligamento do motor em boas condições, para ter a certeza de que consegue desligar o motor.

Certifique-se de que não existem fugas de gasolina ou óleo.

Não utilize a máquina sem o revestimento de proteção e certifique-se de que todos os conetores estão bem apertados.

Utilização

Nunca transporte pessoas na máquina.

Tenha cuidado ao ligar o motor, obedecendo às instruções do fabricante e mantendo os pés afastados da(s) lâmina(s).

Desligue o motor quando a máquina não estiver a ser utilizada.

Quando estiver a segurar a máquina, caminhe; não corra.

Tenha muito cuidado quando puxar a máquina na sua direção ou quando inverter o sentido de rotação (se necessário).

Mantenha uma distância segura das lâminas rotativas, definida pelo comprimento da coluna de direção.

Não coloque as mãos ou os pés perto ou por baixo de peças em rotação.

Se detetar:

- vibração anormal;
- um bloqueio;
- um problema ao engatar ou desengatar a embraiagem;
- uma colisão com um objeto estranho;
- deterioração do cabo de desligamento do motor.

Desligue imediatamente o motor (se o cabo de desligamento estiver danificado, utilize o controlo de arranque descrito no parágrafo "ligar o motor" para desligá-lo), permita que a máquina arrefeça, desligue o cabo da vela de ignição, inspecione a máquina e efetue as reparações necessárias recorrendo a um reparador autorizado antes de a utilizar novamente.

Utilize apenas à luz do dia ou com uma boa luz artificial.

Não utilize a máquina em terrenos com uma inclinação superior a 20°.

Trabalhe ao longo dos declives e não subindo ou descendo os mesmos.

Certifique-se de que mantém os pés bem colocados no chão em terreno com declives; mude de direção com muito cuidado.

A utilização de acessórios que não sejam os recomendados pode tornar a máquina perigosa; se causar danos na máquina, estes não são abrangidos pela garantia.

Manutenção/armazenamento

Desligue o motor e a vela antes de limpar, inspecionar, ajustar, efetuar manutenção da máquina ou mudar a(s) ferramenta(s).

Desligue o motor e a vela, e utilize luvas grossas quando mudar a(s) ferramenta(s).

Mantenha todas as porcas e parafusos apertados para garantir condições de utilização seguras.

Para reduzir o risco de incêndio, mantenha o motor, o silenciador e a área de armazenamento de combustível livre de plantas, óleo usado ou quaisquer outros materiais inflamáveis.

Se o silenciador de escape estiver avariado, deverá ser substituído por um reparador autorizado.

Não faça reparação de peças; substitua-as por peças sobresselentes do fabricante.

Substitua as lâminas de corte em conjuntos completos para as manter equilibradas.

Para sua própria segurança, não altere as características da sua máquina. Não mude as definições de velocidade do motor e não ponha o motor a trabalhar a velocidades excessivas. A manutenção regular é essencial para a segurança e para manter o nível de desempenho.

Permita que o motor arrefeça antes de arrumar a máquina.

Perigo! A gasolina é altamente inflamável!

Armazene combustível em recipientes especialmente concebidos para o efeito. Encha sempre o depósito no exterior e não fume enquanto o faz.

Não desaperte a tampa do depósito de combustível nem o ateste com gasolina quando o motor estiver a trabalhar ou ainda quente.

Se derramar gasolina no solo, não tente ligar o motor; leve a máquina para outro sítio e evite chamas abertas até que o vapor da gasolina tenha dispersado.

Guarde a máquina num local seco. Nunca guarde a máquina dentro de um edifício onde os vapores de gasolina possam atingir uma chama, faísca ou fonte de calor intenso.

Substitua as tampas do depósito de combustível e o recipiente de gasolina corretamente.

Limite a quantidade de gasolina no depósito para reduzir derrames.

Não ligue o motor num espaço limitado onde possa existir acumulação de vapor de monóxido de carbono.

O monóxido de carbono pode ser fatal. Certifique-se de que existe boa ventilação.

Deslocação e manuseamento para transporte

À exceção da escavação no solo, todas as ações efetuadas na máquina devem ser executadas com o motor desligado.

Excetuando os casos de escavação no solo, a máquina tem de ser deslocada através da roda de transporte, conforme descrito no capítulo "Deslocação".

Manuseamento: não tente elevar a máquina. O peso da máquina é indicado na placa do fabricante, no final deste manual. Para garantir as condições de segurança, utilize um método de manuseamento adaptado ao peso da máquina e à situação concreta.

Quando carregar a máquina para um atrelado ou a descarregar do mesmo, utilize uma rampa adequada. Fixe a máquina corretamente para garantir um transporte seguro.

A máquina deve ser transportada num reboque; não utilize qualquer outro meio de transporte.

EN

BG

HR

CZ

DA

NL

ET

FI

FR

DE

GR

HU

IT

LV

LT

NO

PL

PT

RO

RU

SK

SL

ES

SE

TR

UK

DEFINIÇÃO DOS PICTOGRAMAS

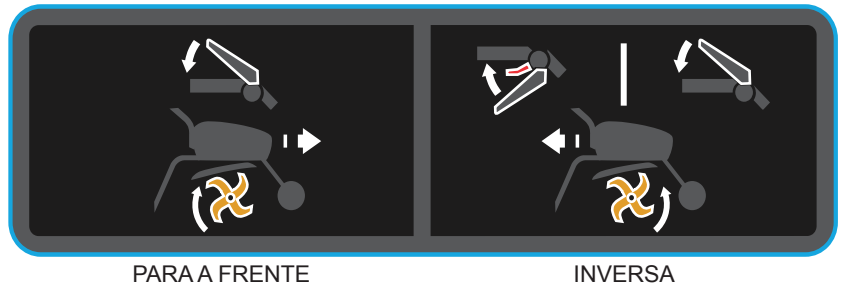
 **AVISO**
Perigo

 **AVISO**
Mantenha uma distância segura

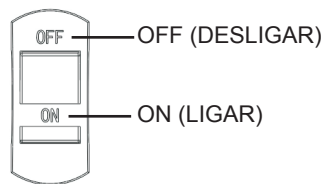
 **AVISO**
Ferramentas giratórias

 **AVISO**
Consulte o manual de operador e retire a vela de ignição antes de efetuar qualquer tarefa.

 **AVISO**
Leia o manual de operador



Interruptor de paragem



Nível de potência acústica garantido



É necessário utilizar proteção auditiva.

INFORMAÇÕES TÉCNICAS

Modelo	MFT85 210R	Potência nominal hp (kW) @ rpm	4,8 (3,6) @ 3100
Largura de fresagem (mm)	780	Engrenagens	-1,0,1
Profundidade de fresagem (mm)	100-200	Óleo de transmissão	Massa lubrificante
Tipo de motor	McCulloch 210 (WM170F-2/P)	Peso bruto (kg)	65,0
Combustível	Gasolina	Peso líquido (kg)	60,0
Capacidade do depósito de combustível (L)	3,60	Tamanho da embalagem (mm)	780x500x660
Capacidade de óleo (L)	0,35	Certificação	CE, EAC
Deslocamento	212 cc	Guaranteed acoustic pressure level	2 dB(A)
Nível de pressão sonora	78 dB(A)	Incerteza de vibração	2%
Nível de potência acústica	98 dB(A)	Valor de vibração do punho	Punho esquerdo: 7,2 mm/s ² Punho direito: 7,4 mm/s ²
Incerteza de ruído	2 dB(A)		

REMOÇÃO DA EMBALAGEM/MONTAGEM

Nota: Tendo em conta o objetivo constante de melhorar os seus produtos, o fabricante declara que o conteúdo deste manual não é contratual e reserva-se o direito de modificar as especificações das máquinas sem aviso prévio.

Desembalar 1.1

AVISO: Tenha cuidado para não cortar os cabos ou riscar a pintura da máquina ao cortar as margens da caixa.

N.º de	Conteúdos da embalagem
A	Peça do motor
B	Vareta de resistência
C	Roda dianteira
D	Tubo vertical
E	Proteção do manípulo
F	Botão
G	Proteção de embelezamento
H	Dente principal, direita
I	Dente principal, esquerda
J	Carril
K	Proteção do dente
L	Bolsa de ferramentas
M	Guarda para plantas
N	Subdente-1, esquerda
O	Subdente-1, direita
P	Subdente-2, esquerda
Q	Subdente-2, direita

Montagem 1.2

AVISO: A montagem incorreta desta fresa rotativa pode provocar ferimentos graves. Certifique-se de que segue todas as instruções cuidadosamente.

- 1 Instalar a proteção do dente.
- 2 Aplicar o primeiro grupo de dentes.
Certifique-se de que as arestas afiadas estão viradas para um lado.
- 3 Instalar a vareta de resistência.
- 4 Instalar a roda dianteira.
- 5 Aplicar o tubo vertical.
- 6 Instalar o carril.
- 7 Instalar a proteção do manípulo.
- 8 Instalar a proteção de embelezamento.
- 9 Instalar o segundo grupo de dentes: direita.
- 10 Instalar o segundo grupo de dentes: esquerda.
- 11 12 Instalação do terceiro grupo de dentes: esquerda e direita.
- 13 14 Montagem da proteção para plantas.

AVISO: Depois de montar a máquina completamente, aperte todos os parafusos e porcas com moderação: não aperte demasiado.

Nota: As operações de desmontagem só podem ser efetuadas por uma oficina aprovada.

Descrição dos componentes 1.3

- 1 - Motor
- 2 - Punho da embraiagem
- 3 - Proteção do manípulo
- 4 - Interruptor lig/desl
- 5 - Proteção para plantas
- 6 - Acelerador
- 7 - Conjunto do punho
- 8 - Alavanca das mudanças
- 9 - Dente
- 10 - Vareta de resistência
- 11 - Roda dianteira

Placa de identificação da máquina 1.4

Roda de transporte 1.5

A = Posição de trabalho.
B = Posição de transporte.

LIGAÇÃO DA MÁQUINA

2.1 Enchimento com óleo de motor e verificação do nível

2.2 Abastecimento de gasolina

2.3 Injete óleo na posição identificada

2.4 Abra o interruptor da gasolina

2.5 Defina o estrangulamento na posição A

2.6 Acelerador
Coloque a alavanca em: H

2.7 Coloque o interruptor lig/desl na posição "ligado"

2.8 Puxe o punho de arranque de recuo

2.9 Definir o estrangulamento na posição B

AVISO: Quando a máquina ligar, mantenha-se na zona de segurança.

EN

BG

HR

CZ

DA

NL

ET

FI

FR

DE

GR

HU

IT

LV

LT

NO

PL

PT

RO

RU

SK

SL

ES

SE

TR

UK

UTILIZAÇÃO



3.1

Avançar

1. Deixe a embraiagem de marcha-atrás tal como está.
- 2-A. Desbloqueie o punho da embraiagem.
- 2-B. Liberte o punho da embraiagem



Mantenha uma zona de segurança de 20 m de raio em torno da máquina.



3.2

Marcha-atrás

- 1-A. Modifique o interruptor de marcha-atrás vermelho
- 1-B. Aperte o punho de marcha-atrás
- 2-A. Desbloqueie o punho da embraiagem.
- 2-B. Liberte o punho da embraiagem



Mantenha uma zona de segurança de 20 m de raio em torno da máquina.



A utilização de marcha-atrás é perigosa. Certifique-se de que não existem obstáculos atrás de si e reduza as rotações do motor antes de engatar a embraiagem.

PARAGEM



4.1

Parar as ferramentas rotativas

Solte a alavanca da embraiagem.



4.2

Reduzir o gás

Colocar o acelerador em:



4.3

Parar o motor

Coloque o interruptor lig/desl na posição DESLIGADO.



4.4

Defina o estrangulamento na posição A



4.5

Feche a torneira de combustível

TABELA DE MANUTENÇÃO

Verificação diária	Após as primeiras 20 horas ou todos os meses
<p>Antes de ligar o motor, verifique os seguintes pontos.</p> <ul style="list-style-type: none"> ■ Não devem existir porcas ou parafusos desapertados ou partidos. 	<ul style="list-style-type: none"> ■ Substitua o óleo de lub. do motor e da caixa de velocidades.
<p> 4.5 ■ Limpeza do elemento do filtro de ar</p>	<p>A cada 50 horas ou a cada 3 meses</p> <ul style="list-style-type: none"> ■ Limpe o filtro de ar* (2 Fig. 4.5).
<p> Não utilize solventes inflamáveis para limpar a espuma do elemento do filtro de ar.</p>	<p>A cada 100 horas ou a cada 6 meses</p> <ul style="list-style-type: none"> ■ Limpe o filtro. ■ Substitua o óleo de lub. do motor e da caixa de velocidades. ■ Limpe a vela de ignição. ■ Limpe o invólucro da vela de ignição.
<p> 2.1 ■ Verificar o nível do óleo lubrificante</p>	<p>A cada 300 horas ou uma vez por ano</p> <ul style="list-style-type: none"> ■ Substitua o filtro de ar*. ■ Verifique a folga na válvula**. ■ Substitua a vela de ignição. ■ Substitua o filtro de combustível**. ■ Limpe a câmara de combustão**. ■ Selecione o visto sobre**. ■ Verifique o circuito de combustível**.
<ul style="list-style-type: none"> ■ Não existem fugas de gasolina ou de óleo lubrificante. 	<p>* Limpe com maior frequência nos casos em que as condições de utilização incluam ar com poeiras ou resíduos. ** Não essencial exceto em casos de problemas de desempenho (a ser realizado por uma oficina autorizada).</p>
<p> 2.2 ■ Gasolina suficiente</p>	
<ul style="list-style-type: none"> ■ Mantenha a máquina limpa. ■ Consciência ambiental. ■ Não existem vibrações anormais ou ruído excessivo. 	



Deslocação



Desligue o motor.

A Coloque a roda em posição de movimento.

B Coloque as barras de direção em posição: baixa para facilitar a deslocação da máquina.

C Levante as lâminas do solo com as barras de direção e, em seguida, avance.

EN

BG

HR

CZ

DA

NL

ET

FI

FR

DE

GR

HU

IT

LV

LT

NO

PL

PT

RO

RU

SK

SL

ES

SE

TR

UK

- EN
- BG
- HR
- CZ
- DA
- NL
- ET
- FI
- FR
- DE
- GR
- HU
- IT
- LV
- LT
- NO
- PL
- PT**
- RO
- RU
- SK
- SL
- ES
- SE
- TR
- UK



DECLARAÇÃO DE CONFORMIDADE CE



Para as seguintes máquinas

Nome do produto: Enxada motorizada
Designação comercial: N/A
Função: Enxada motorizada (sem rodas motrizes)
Tipo: Gasolina
Modelo n.º: MFT85 210R
N.º de série: 16H190570

confirma-se aqui a conformidade de todas as disposições relevantes da

Diretiva sobre maquinaria (2006/42/CE)

e a conformidade com as normas harmonizadas

EN 709: 1997 + A4: 2009
EN 709: 1997 + A4/AC:2012

confirma-se aqui a conformidade de todas as disposições relevantes da

Diretiva de compatibilidade eletromagnética (2014/30/UE)

e a conformidade com as normas harmonizadas:

EN ISO 14982: 2009

O responsável por esta declaração é

Nome do fabricante : Husqvarna AB
Endereço do fabricante : SE561 82 HUSKVARNA SUÉCIA

Pessoa responsável pela compilação dos ficheiros técnicos estabelecidos na UE

Nome, apelido : Husqvarna AB
Endereço : SE561 82 HUSKVARNA SUÉCIA

Pessoa responsável pela realização desta declaração

Nome, apelido : John Thompson
Cargo/Título : Diretor de Produtos e Marketing, Divisão do Consumidor, EUAP
Localização : Husqvarna UK Ltd, Preston Road
Aycliffe Industrial Park. Newton Aycliffe
Co.Durham,DL5 6UP
Data : 15 de novembro de 2016

(Carimbo da empresa e assinatura legal)

MĂSURI DE PROTECȚIE

Acordați atenție deosebită informațiilor din secțiunile marcate după cum urmează:



PERICOL: Acest marcată indică un risc ridicat de vătămări corporale grave sau chiar mortale în cazul nerespectării instrucțiunilor.

AVERTISMENT: Indică pericol de vătămări corporale sau de avariere a echipamentului dacă nu sunt respectate instrucțiunile.

NOTĂ: Indică informații utile.



Acest simbol indică necesitatea efectuării anumitor operațiuni.

Dacă aveți probleme sau întrebări cu privire la cultivator, contactați distribuitorul autorizat.



PERICOL: Echipamentul poate fi utilizat în condiții de siguranță dacă sunt respectate instrucțiunile. Înainte de utilizarea echipamentului, asigurați-vă că ați înțeles informațiile din acest manual. În caz contrar, există pericolul de vătămare corporală și de avariere a echipamentului.

Instruire/Informații

Familiarizați-vă cu utilizarea corectă a echipamentului și cu comenzile acestuia. Aflați cum să opriți rapid motorul.

Echipamentul trebuie utilizat întotdeauna conform recomandărilor din acest manual de instrucțiuni.

Nu uitați că utilizatorul este responsabil pentru accidente sau situațiile periculoase la care sunt expuse alte persoane. Utilizatorul este responsabil pentru evaluarea riscurilor posibile ridicate de terenul pe care se lucrează și trebuie să ia toate precauțiile necesare pentru siguranța lucrului, în special în pante și pe teren nesigur, alunecos sau accidentat.

Nu lăsați niciodată copii sau persoane nefamiliarizate cu aceste instrucțiuni să folosească aparatul. Ar putea exista legi locale care impun o vârstă minimă a utilizatorilor.

Nu lucrați cu echipamentul dacă pe o rază de 20 de metri există copii sau animale. Operatorul trebuie să aibă în permanență control asupra mânerelor.

Nu utilizați echipamentul dacă sunteți sub tratament cu medicamente sau substanțe care vă pot reduce viteza de reacție sau care creează o stare de somnolență.

Aveți grijă în special pe teren bălătorit, deoarece pe acesta echipamentul este mai puțin stabil decât pe teren arat.

Purtați întotdeauna încălțări antiderapante rezistente și pantaloni lungi și strâmți. Nu utilizați echipamentul desculț sau încălțat cu sandale. Se recomandă purtarea căștilor de protecție.

Utilizați echipamentul numai pentru operațiile de săpare în pământ pentru care a fost creat. Alte utilizări pot fi periculoase sau pot avaria echipamentul.

Pregătirea

Verificați cu atenție zona în care va fi utilizat echipamentul și îndepărtați obiectele care ar putea fi propulsate de acesta (pietre, cabluri, sticlă, obiecte din metal etc.).

Înainte de a utiliza echipamentul, verificați-l întotdeauna pentru a vă asigura că accesoriile nu sunt uzate sau deteriorate. Înlocuiți componentele uzate sau deteriorate.

Păstrați în stare bună cablurile electrice care opresc motorul pentru a garanta că acesta se va opri.

Asigurați-vă că nu există scurgeri de benzină sau ulei.

Nu utilizați echipamentul fără apărătorile de protecție și asigurați-vă că toate cuplajele sunt strânse.

Utilizare

Nu transportați persoane pe echipament.

Aveți grijă când porniți motorul; urmați instrucțiunile producătorului și nu țineți picioarele în apropierea lamelor.

Opriți motorul când nu utilizați echipamentul.

Pășiți, nu alergați când utilizați echipamentul.

Aveți grijă când trageți echipamentul către dvs. sau când schimbați direcția de rotație (dacă este cazul).

Păstrați față de lamele care se rotesc o distanță de siguranță dată de lungimea coloanei de direcție.

Nu puneți mâinile sau picioarele în apropierea pieselor care se rotesc sau sub acestea.

Dacă observați:

- vibrații anormale,
- un blocaj,
- o problemă la cuplarea sau decuplarea ambreiajului,
- o coliziune cu un obiect străin,
- deteriorarea unui cablu de oprire a motorului.

Opriți imediat motorul (dacă este deteriorat cablul de oprire a motorului, utilizați demarorul, așa cum este prezentat în paragraful „Pornirea motorului”, pentru a opri motorul), lăsați echipamentul să se răcească, deconectați fișa bujiei, verificați echipamentul și efectuați reparațiile necesare la un centru aprobat de reparații înainte de a-l utiliza din nou.

Lucrați numai la lumina zilei sau la o iluminare artificială foarte bună.

Nu utilizați echipamentul pe pante cu înclinația mai mare de 20°.

Când lucrați, poziționați echipamentul perpendicular pe pantă, nu paralel cu aceasta.

Pășiți cu grijă în pantă și aveți grijă la schimbarea direcției.

Utilizarea altor accesorii decât cele recomandate poate prezenta riscuri și cauza echipamentului avarii care nu sunt acoperite de garanție.

Întreținerea/Depozitarea

Opriți motorul și deconectați bujia înainte de curățarea, verificarea, și reglarea echipamentului, la executarea operațiilor de întreținere sau la schimbarea accesoriilor.

Opriți motorul, deconectați bujia și utilizați mănuși groase când schimbați accesoriile.

Asigurați-vă că toate piulițele și șuruburile sunt strânse pentru a garanta siguranța utilizării.

Pentru a reduce riscul de incendiu, curățați motorul, amortizorul și zona de depozitare a carburantului de plante, ulei ars sau alte materiale inflamabile.

Dacă amortizorul de evacuare este defect, înlocuiți-l la un centru autorizat.

Nu recondiționați piese. Schimbați-le cu piese originale.

Schimbați toate lamele de tăiere odată pentru a păstra echilibrul.

Din motive de siguranță, nu modificați caracteristicile echipamentului. Nu schimbați turația motorului și nu îl folosiți la turația maximă. Pentru a menține performanțele și siguranța echipamentului, trebuie executate periodic operațiile de întreținere.

Lăsați motorul să se răcească înainte de a depozita echipamentul.

Pericol! Benzina este extrem de inflamabilă!

Păstrați carburantul în recipiente speciale. Umpleți întotdeauna rezervorul în spații deschise și nu fumați în timpul umplerii.

Nu deșurubați capacul rezervorului de carburant și nu alimentați cu benzină când motorul funcționează sau este fierbinte.

Dacă vărsați benzină, nu porniți motorul. Deplasați mașina în alt loc și evitați focul deschis până la dispariția vaporilor de benzină.

Păstrați echipamentul într-un loc uscat. Nu depozitați niciodată echipamentul într-un loc în care vaporii de benzină pot intra în contact cu o flacără deschisă, o scânteie sau o sursă de căldură excesivă.

Puneți corect la loc capacul rezervorului de carburant și capacul canistrei de benzină.

Nu umpleți excesiv rezervorul cu benzină pentru ca aceasta să nu se verse.

Nu lăsați motorul să funcționeze în spații închise, în care se pot acumula vapori de monoxid de carbon.

Monoxidul de carbon poate fi fatal. Asigurați ventilația corespunzătoare.

Deplasarea, manipularea și transportul

În afară de săparea pământului, toate operațiile executate cu echipamentul trebuie executate cu motorul oprit.

Cu excepția situațiilor în care echipamentul este utilizat pentru săpare, acesta trebuie deplasat cu ajutorul roții de transport, așa cum este prezentat în capitolul „Deplasarea”.

Manipularea: nu încercați să ridicați echipamentul de la sol. Greutatea echipamentului este indicată în fișa de date tehnice a producătorului de la sfârșitul acestui manual. Pentru a garanta siguranța, utilizați metoda de manipulare adecvată greutatei echipamentului și situației.

La încărcarea și descărcarea echipamentului de pe o remorcă, utilizați o rampă adecvată. Fixați echipamentul corect pentru a asigura transportul în siguranță.

Echipamentul trebuie transportat pe o remorcă. Nu utilizați alt mijloc de transport.

EN

BG

HR

CZ

DA

NL

ET

FI

FR

DE

GR

HU

IT

LV

LT

NO

PL

PT

RO

RU

SK

SL

ES

SE

TR

UK

DEFINIȚIA PICTOGRAMELOR



AVERTISMENT
Pericol



AVERTISMENT
Păstrați distanța de siguranță



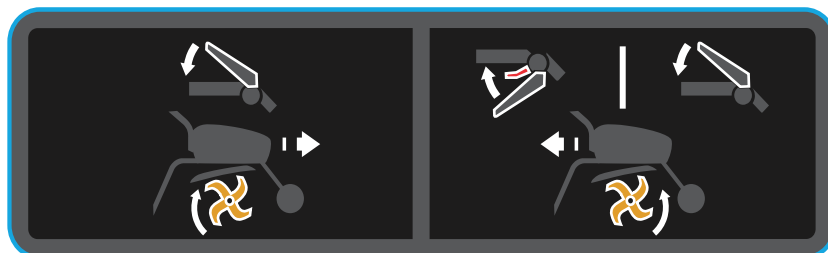
AVERTISMENT
Părți rotative



AVERTISMENT
Consultați manualul de
utilizare și scoateți bujia
înainte de a executa
lucrări de reparație sau de
întreținere.



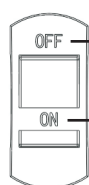
AVERTISMENT
Citiți manualul de utilizare



ÎNAINTE

ÎNAPOI

Buton oprire



OPRIT

PORNIT



Nivel garantat de
putere acustică



Trebuie purtate căști de
protecție.

INFORMAȚII TEHNICE

Model	MFT85 210R	Putere nominală în cai putere (kW) la turația	4.8 (3,6) la 3100
Lățime de lucru (mm)	780	Viteze	-1,0,1
Adâncime de lucru (mm)	100-200	Ulei de transmisie	Unsoare
Tip de motor	McCulloch 210 (WM170F-2/P)	Greutate totală (kg)	65,0
Carburant	Benzină	Greutate netă (kg)	60,0
Capacitate rezervor de carburant (l)	3,60	Dimensiuni ambalaj (mm)	780x500x660
Capacitate ulei (l)	0,35	Certificare	CE, EAC
Cilindree	212 cc	Nivel garantat de presiune acustică	2 dB(A)
Nivel de presiune acustică	78 dB(A)	Incertitudine vibrații	2%
Nivel de putere acustică	98 dB(A)	Valoare vibrații pe mânere	Mâner stânga: 7,2 mm/s ² Mâner dreapta: 7,4 mm/s ²
Incertitudine zgomot	2 dB(A)		

DESPACHETAREA/ASAMBLAREA

Notă: În încercarea permanentă de îmbunătățire a produselor, producătorul nu își asumă nicio obligație contractuală prin acest manual și își rezervă dreptul de a modifica specificațiile echipamentului fără înștiințare prealabilă.

1.1 Despachetarea

AVERTISMENT:
Aveți grijă să nu tăiați cablurile și să nu zgâriați vopseaua echipamentului când tăiați marginile cutiei.

Ref.	Conținutul pachetului
A	Piesă motor
B	Tijă de rezistență
C	Roata față
D	Bară
E	Capac balustradă
F	Buton
G	Capac de mascare
H	Dinți principali, dreapta
I	Dinți principali, stânga
J	Șină
K	Apărătoarea dinților
L	Săculeț pentru scule
M	Apărătoare de plante
N	Dinți secundari - 1, stânga
O	Dinți secundari - 1, dreapta
P	Dinți secundari - 2, stânga
Q	Dinți secundari - 2, dreapta

1.2 Asamblarea

AVERTISMENT:
Asamblarea inadecvată a acestui motocultivator rotativ poate provoca vătămări corporale grave. Asigurați-vă că respectați cu atenție toate instrucțiunile.

- 1 Montarea apărătorii dinților.
- 2 Montarea primului grup de dinți.
Asigurați-vă că marginile ascuțite sunt orientate în lateral.
- 3 Montarea tijei de rezistență.
- 4 Montarea roții față.
- 5 Montarea barei.
- 6 Montarea șinei.
- 7 Montarea capacului balustradei.
- 8 Montarea capacului de mascare.
- 9 Montarea celui de-al doilea grup de dinți - dreapta.
- 10 Montarea celui de-al doilea grup de dinți - stânga.
- 11 12 Montarea celui de-al treilea grup de dinți - stânga și dreapta.
- 13 14 Montarea apărătorii de plante.

AVERTISMENT:
După asamblarea completă a echipamentului, strângeți moderat toate șuruburile și bolțurile: nu le strângeți excesiv.

Notă: Operațiile de demontare trebuie executate numai de un atelier aprobat.

1.3 Descrierea componentelor

- 1 - Motor
- 2 - Mânerul ambreiajului
- 3 - Capac balustradă
- 4 - Întrerupător PORNIRE/OPRIRE
- 5 - Apărătoare de plante
- 6 - Control accelerație
- 7 - Mânere
- 8 - Schimbător
- 9 - Dinți
- 10 - Tijă de rezistență
- 11 - Roata față

1.4 Plăcuța de identificare a echipamentului

1.5 Roată de transport

A = Poziție de lucru.
B = Poziție de transport.

PORNIREA ECHIPAMENTULUI

2.1 Umpleți cu ulei de motor și verificați nivelul

2.2 Completați nivelul de benzină

2.3 Injectarea uleiului în poziția identificată

2.4 Deschideți comutatorul pentru benzină

2.5 Plasați șocul în poziția A

2.6 Control accelerație
Plasați maneta în poziția: **H**

2.7 Treceți întrerupătorul de pornire/oprire în poziția ON (PORNIT)

2.8 Trageți mânerul șnurului demarorului

2.9 Plasați șocul în poziția B

AVERTISMENT:
Rămâneți în zona de siguranță la pornirea echipamentului.

EN

BG

HR

CZ

DA

NL

ET

FI

FR

DE

GR

HU

IT

LV

LT

NO

PL

PT

RO

RU

SK

SL

ES

SE

TR

UK

UTILIZAREA



3.1

Înainte

1. Lăsați ambreiajul de deplasare înapoi în poziția în care se află.
- 2-A. Deblocați mânerul ambreiajului.
- 2-B. Apăsăți mânerul ambreiajului.



Mențineți o zonă de siguranță de 20 m în jurul echipamentului.



3.2

Înapoi

- 1-A. Comutați comutatorul roșu de deplasare înapoi
- 1-B. Apăsăți maneta de deplasare înapoi
- 2-A. Deblocați mânerul ambreiajului.
- 2-B. Apăsăți mânerul ambreiajului.



Mențineți o zonă de siguranță de 20 m în jurul echipamentului.



Deplasarea înapoi este periculoasă. Asigurați-vă că nu există obstacole în spate și reduceți turația motorului înainte de a acționa ambreiajul.

OPRIREA



4.1

Oprirea accesoriilor rotative

Eliberați mânerul ambreiajului.



4.3

Oprirea motorului

Treceți întrerupătorul de pornire/oprire în poziția OFF (OPRIT).



4.5

Închideți robinetul de carburant



4.2

Reduceți alimentarea cu benzină

Aduceți accelerația în poziția:



4.4

Plasați șocul în poziția A

TABEL DE ÎNTREȚINERE

Verificări zilnice

Înainte de pornirea motorului, efectuați următoarele verificări.

- Nu trebuie să existe piulițe sau șuruburi slăbite sau deteriorate.



4.5

- Curățarea elementului filtrant al filtrului de aer



Nu utilizați solvent inflamabil pentru a curăța elementul filtrant din spumă.



2.1

- Verificați nivelul uleiului de motor

- Nu există scurgeri de benzină sau de ulei de motor.



2.2

- Benzină suficientă

- Păstrați echipamentul curat.

- Protecția mediului.

- Fără vibrații anormale sau zgomot excesiv.

După primele 20 de ore sau în fiecare lună

- Schimbați uleiul de motor și uleiul din cutia de viteze.

La fiecare 50 de ore sau 3 luni

- Curățați filtrul de aer* (2 Fig. 4.5).

La fiecare 100 de ore sau 6 luni

- Curățați filtrul.
- Schimbați uleiul de motor și uleiul din cutia de viteze.
- Curățați bujia.
- Curățați protecția bujiei.

La fiecare 300 de ore sau o dată pe an

- Schimbați filtrul de aer*.
- Verificați jocul supapei**.
- Înlocuiți bujia.
- Curățați filtrul de carburant**.
- Curățați camera de ardere**.
- Setați turația de ralanti**.
- Verificați circuitul de carburant**.

* Curățați mai des la utilizarea în zone cu praf sau aer contaminat cu particule de murdărie.

** Nu este esențial decât dacă apar probleme de performanță (operația trebuie realizată la un atelier aprobat).



Deplasarea



Opriți motorul.

A Așezați roata în poziția de deplasare.

B Plasați mânerul în poziția inferioară pentru a permite deplasarea facilă a echipamentului.

C Ridicați lamele de pe sol cu ajutorul mânerelor și deplasați-vă înainte.

EN

BG

HR

CZ

DA

NL

ET

FI

FR

DE

GR

HU

IT

LV

LT

NO

PL

PT

RO

RU

SK

SL

ES

SE

TR

UK

- EN
- BG
- HR
- CZ
- DA
- NL
- ET
- FI
- FR
- DE
- GR
- HU
- IT
- LV
- LT
- NO
- PL
- PT
- RO**
- RU
- SK
- SL
- ES
- SE
- TR
- UK



DECLARAȚIE DE CONFORMITATE CE



Pentru următorul echipament

Nume produs: Motosapă
Nume comercial: N/A
Funcție: Motosapă (fără roți de acționare)
Tip: Benzină
Nr. model: MFT85 210R
Nr. de serie: 16H190570

se confirmă prin prezenta că respectă prevederile relevante ale

Directivei pentru echipamente (2006/42/CE)

și următoarele standardele armonizate

EN 709: 1997 + A4: 2009
EN 709: 1997 + A4/AC:2012

se confirmă prin prezenta că respectă prevederile relevante ale

Directivei pentru compatibilitate electromagnetică (2014/30/UE)

și următoarele standardele armonizate:

EN ISO 14982: 2009

Responsabil pentru marcarea acestei declarații

Numele producătorului : Husqvarna AB
Adresa producătorului : SE561 82 HUSKVARNA SUECIA

Persoana responsabilă pentru întocmirea fișelor tehnice în Uniunea Europeană

Prenume, nume : Husqvarna AB
Adresă : SE561 82 HUSKVARNA SUECIA

Persoană responsabilă pentru prezenta declarație

Prenume, nume : John Thompson
Funcție/Titlu : Director de produse și marketing, Divizia pentru consumatori EUAP
Locație : Husqvarna UK Ltd, Preston Road
Aycliffe Industrial Park. Newton Aycliffe
Co.Durham,DL5 6UP
Data : 15 noiembrie 2016

(Ștampila și semnătura reprezentantului companiei)

Обращайте особое внимание на разделы, отмеченные следующим образом:



ОПАСНОСТЬ: предупреждает о высокой вероятности получения серьезной или смертельной травмы при несоблюдении инструкций.

ПРЕДУПРЕЖДЕНИЕ: указывает на риск получения травмы или возможность материального ущерба при несоблюдении инструкций.

ПРИМЕЧАНИЕ: отмечает полезную информацию.



Этот символ напоминает о необходимости соблюдения осторожности при выполнении определенных действий.

В случае возникновения проблем или вопросов относительно работы культиватора обратитесь к своему сертифицированному поставщику.



ОПАСНОСТЬ: Конструкция инструмента обеспечивает его безопасную и надежную работу в случае соблюдения инструкций во время эксплуатации. Перед использованием инструмента убедитесь, что вы поняли содержимое данного руководства. В противном случае вы можете пострадать, а оборудование может получить повреждение.

Обучение / информация

Перед использованием инструмента ознакомьтесь с правилами его эксплуатации и органами управления. Узнайте, как быстро отключить двигатель.

При использовании инструмента требуется соблюдать рекомендации из данного руководства по эксплуатации.

Обратите внимание, что ответственность за несчастные случаи или опасные ситуации, угрожающие другим людям или их имуществу, несет пользователь. Именно он должен оценивать потенциальные риски, которые могут возникнуть при обработке почвы на определенном участке, и предпринимать все необходимые меры предосторожности для гарантии безопасности. Особенно это важно при проведении работ на склонах и скользких или неустойчивых участках почвы.

Ни в коем случае не позволяйте использовать инструмент детям или лицам, не ознакомившимся с данными инструкциями. В

некоторых регионах могут действовать законы, регламентирующие минимальный возраст операторов.

Ни в коем случае не выполняйте работы при нахождении посторонних (особенно детей) или животных в радиусе 20 метров от инструмента; оператор должен сохранять контроль над рукоятками в течение всего времени эксплуатации инструмента.

Не используйте инструмент после приема лекарств или других препаратов/веществ, замедляющих реакцию или вызывающих сонливость.

Соблюдайте особую осторожность при обработке твердой почвы, поскольку на ней инструмент обладает меньшей устойчивостью, чем на культивированной земле.

При работе обязательно надевайте прочную обувь с нескользящей подошвой и плотно прилегающие длинные брюки. Запрещается использовать инструмент босиком или в сандалиях. Рекомендуется использовать средства защиты органов слуха.

Используйте оборудование только в целях, для которых оно предназначено (обработка почвы). Использование оборудования в других целях чревато рисками или может привести к повреждению оборудования.

Подготовка

Внимательно осмотрите зону работы и уберите все предметы, которые могут быть отброшены работающим инструментом (камни, проволока, стекло, металлические предметы и т.д.).

Каждый раз перед эксплуатацией необходимо проводить осмотр оборудования с целью проверки инструментов на предмет износа или повреждений. Все изношенные или поврежденные детали следует заменять.

Поддерживайте электрические кабели, отвечающие за остановку двигателя, в надлежащем состоянии, чтобы вы всегда могли быть уверены в их надежности.

Проверяйте инструмент на наличие утечек бензина или масла.

Запрещается использовать инструмент без защитных кожухов. Проверяйте надежность соединительных элементов.

Эксплуатация

Запрещается использовать оборудование для перевозки людей.

Соблюдайте осторожность при запуске двигателя: следуйте инструкциям производителя и следите за тем, чтобы ваши ноги находились на безопасном расстоянии от ножа(-ей).

Останавливайте двигатель, когда инструмент не используется.

При работе с инструментом идите, а не бегите.

Будьте особо внимательны при перемещении работающего инструмента в свою сторону или изменении направления его вращения.

Держитесь на безопасном расстоянии от вращающихся ножей в соответствии с длиной рулевой колонки.

Не помещайте руки или ноги рядом с вращающимися деталями или под ними.

В случае:

- необычной вибрации;
- засора;
- трудностей при включении и выключении сцепления;
- столкновения с посторонним предметом;
- износа кабеля останова двигателя.

Требуется незамедлительно остановить двигатель (если кабель останова двигателя оборван, для остановки двигателя используйте рычаг управления стартером в соответствии с указаниями в разделе "Запуск двигателя"). Подождите, пока инструмент остынет, отключите провод зажигания свечи, осмотрите инструмент и обратитесь в сертифицированную мастерскую для проведения необходимых ремонтных работ.

Используйте инструмент только при дневном или надлежащем искусственном освещении.

Запрещается использовать инструмент на склонах с углом наклона более 20°.

При выполнении работ двигайтесь поперек склона, а не сверху вниз или снизу вверх.

Сохраняйте устойчивое положение при работе на склонах и соблюдайте особую осторожность при смене направления движения.

Использование принадлежностей, не входящих в перечень рекомендуемых, может привести к возникновению опасной ситуации или стать причиной повреждения инструмента, устранение которого не будет покрываться гарантией.

Техническое обслуживание / хранение

Перед выполнением очистки, осмотра, регулировки или технического обслуживания оборудования или замены инструмента(-ов) остановите двигатель и отключите свечу зажигания.

Перед заменой инструмента(-ов) остановите двигатель, отключите свечу зажигания и наденьте прочные перчатки.

Для обеспечения безопасности при эксплуатации инструмента следите за тем, чтобы все гайки и болты были надежно затянуты.

В целях снижения риска пожара следите за тем, чтобы в двигатель, глушитель и зону хранения топлива не попадали растения, отработанное масло и другие легковоспламеняющиеся материалы.

Если глушитель выхлопной системы неисправен, обратитесь в сертифицированную мастерскую для его замены.

Запрещается ремонтировать детали; для замены используйте только оригинальные компоненты.

Заменять режущие ножи следует комплектом для сохранения их балансировки.

В целях безопасности запрещается изменять характеристики оборудования. Запрещается изменять настройку частоты вращения двигателя и эксплуатировать двигатель на слишком высоких оборотах. Для обеспечения безопасности работы и поддержания производительности на должном уровне необходимо регулярно проводить техническое обслуживание.

Перед помещением инструмента на хранение дайте двигателю остыть.

Опасность! Бензин является легковоспламеняющейся жидкостью!

Храните топливо в специально предназначенных для этого емкостях. Заправлять топливный бак необходимо вне помещений. При выполнении этой операции запрещается курить.

Запрещается отвинчивать крышку топливного бака или доливать бензин, пока двигатель работает или еще не успел остыть.

Если вы пролили бензин на землю, ни в коем случае не запускайте двигатель. Перенесите инструмент на другое место и не допускайте попадания открытого огня на участок разлива до тех пор, пока пары бензина не выветрятся.

Храните инструмент в сухом месте. Запрещается хранить инструмент в зданиях, в которых пары бензина могут подвергаться воздействию огня, искр или высоких температур.

Надлежащим образом устанавливайте на место крышки топливного бака и канистры с бензином.

Не наливайте в бак слишком много бензина, чтобы избежать разлива.

Запрещается запускать двигатель в ограниченном пространстве, где возможно скопление угарного газа.

Наличие угарного газа может привести к смертельному исходу. Обеспечьте надлежащую вентиляцию.

Перемещение, эксплуатация, транспортировка

Перед выполнением любых действий с инструментом, кроме обработки почвы, необходимо выключать двигатель.

Перемещение инструмента должно осуществляться с помощью транспортного колеса в соответствии с указаниями в разделе "Перемещение" (кроме ситуаций обработки почвы).

Эксплуатация: не пытайтесь поднимать инструмент. Вес инструмента указан на заводской табличке, расположенной в конце данного руководства. При выполнении манипуляций с оборудованием используйте методы, соответствующие его весу и ситуации, для обеспечения безопасности.

При погрузке инструмента в прицеп или выгрузке из него необходимо использовать подходящую рампу. Закрепите инструмент надлежащим образом, чтобы обеспечить безопасность при транспортировке.

Инструмент необходимо перевозить в прицепе; использовать другие способы транспортировки запрещено.

EN

BG

HR

CZ

DA

NL

ET

FI

FR

DE

GR

HU

IT

LV

LT

NO

PL

PT

RO

RU

SK

SL

ES

SE

TR

UK

РАСШИФРОВКА ПИКТОГРАММ



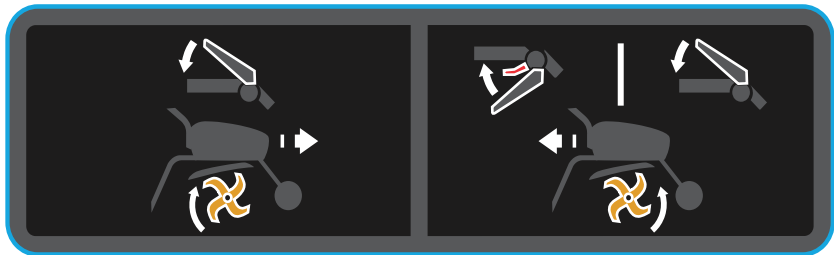
ПРЕДУПРЕЖДЕНИЕ
Опасность

ПРЕДУПРЕЖДЕНИЕ
Держитесь на безопасном расстоянии

ПРЕДУПРЕЖДЕНИЕ
Вращающиеся инструменты

ПРЕДУПРЕЖДЕНИЕ
Ознакомьтесь с руководством по эксплуатации и снимите свечу зажигания перед выполнением любых работ.

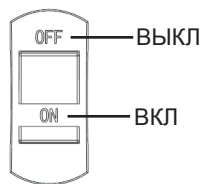
ПРЕДУПРЕЖДЕНИЕ
Ознакомьтесь с руководством по эксплуатации



ПЕРЕДНИЙ ХОД

ЗАДНИЙ ХОД

Выключатель



Гарантированный уровень мощности звука



Необходимо использовать средства защиты органов слуха.

ТЕХНИЧЕСКАЯ ИНФОРМАЦИЯ

Модель	MFT85 210R	Номинальная мощность, л.с. (кВт) при об/мин	4,8 (3,6) при 3100
Ширина культивации (мм)	780	Передачи	-1,0,1
Глубина культивации (мм)	100-200	Трансмиссионное масло	Смазка
Тип двигателя	McCulloch 210 (WM170F-2/P)	Общий вес (кг)	65,0
Топливо	Бензин	Вес нетто (кг)	60,0
Емкость топливного бака (л)	3,60	Размер упаковки (мм)	780x500x660
Емкость масляного бака (л)	0,35	Сертификация	CE, EAC
Объем	212 куб. см	Гарантированный уровень звукового давления	2 дБ(А)
Уровень звукового давления	78 дБ(А)	Погрешность вибрации	2%
Уровень мощности звука	98 дБ(А)	Уровень вибрации рукоятки	Левая рукоятка: 7,2 мм/с ² Правая рукоятка 7,4 мм/с ²
Шумовая погрешность	2 дБ(А)		

РАСПАКОВКА / СБОРКА

Примечание: Мы стремимся непрерывно улучшать качество своей продукции, а потому как производитель заявляем, что никакое содержимое данного руководства не регламентируется условиями контракта, а также оставляем за собой право вносить изменения в характеристики инструментов без предварительного уведомления.



Распаковка



ПРЕДУПРЕЖДЕНИЕ:

При разрезании краев коробки старайтесь не порезать кабели и не поцарапать лакокрасочное покрытие оборудования.

Обозн.	Содержимое комплекта
A	Блок двигателя
B	Шток сопротивления
C	Переднее колесо
D	Стойка присоединения рукоятки
E	Крышка поперечины
F	Ручка
G	Защитная крышка
H	Основная лапа, правая
I	Основная лапа, левая
J	Поперечина
K	Кожух лап
L	Сумка с инструментами
M	Защита от растений
N	Вспомогательная лапа-1, левая
O	Вспомогательная лапа-1, правая
P	Вспомогательная лапа-2, левая
Q	Вспомогательная лапа-2, правая



Сборка



ПРЕДУПРЕЖДЕНИЕ:

Ненадлежащая сборка роторного культиватора может привести к серьезным травмам. Строго соблюдайте приведенные ниже инструкции.

- 1** Установка кожуха лап.
- 2** Установка первой группы лап.
Убедитесь, что острые края направлены в одну сторону.
- 3** Установка штока сопротивления.
- 4** Установка переднего колеса.
- 5** Установка стойки присоединения рукоятки.
- 6** Установка поперечины.
- 7** Установка крышки поперечины.
- 8** Установка защитной крышки.
- 9** Установка второй группы лап — правая сторона.
- 10** Установка второй группы лап — левая сторона.
- 11 12** Установка третьей группы лап — левая и правая стороны.
- 13 14** Установка защиты от растений.



Предупреждение:

После полной сборки оборудования затяните все болты и винты с умеренным усилием. Не прикладывайте при затяжке слишком больших усилий.

Примечание: Все операции по разборке должны выполняться только в сертифицированной мастерской.



Описание КОМПОНЕНТОВ

- 1 - Двигатель
- 2 - Рукоятка сцепления
- 3 - Крышка поперечины
- 4 - Переключатель включения/выключения
- 5 - Защита от растений
- 6 - Ручка дросселя
- 7 - Набор рукояток
- 8 - Рычаг переключения
- 9 - Лапа
- 10 - Шток сопротивления
- 11 - Переднее колесо



Идентификационная табличка инструмента



Транспортное колесо

A = рабочее положение.
B = транспортное положение.

ЗАПУСК ИНСТРУМЕНТА



Заправка моторным маслом и проверка его уровня



Заправка бензином



Впрыск масла до указанного положения



Откройте переключатель бензина



Переведите заслонку в положение A



Ручка дросселя
Переведите рычаг в положение: **H**



Переведите переключатель включения/выключения в положение "on" (вкл)



Потяните рукоятку стартера



Переведите заслонку в положение B



Предупреждение:

Когда оборудование запустится, оставайтесь в безопасной зоне.

- EN
- BG
- HR
- CZ
- DA
- NL
- ET
- FI
- FR
- DE
- GR
- HU
- IT
- LV
- LT
- NO
- PL
- PT
- RO
- RU**
- SK
- SL
- ES
- SE
- TR
- UK

ЭКСПЛУАТАЦИЯ



Передний ход

1. Не изменяйте положение сцепления заднего хода.
- 2-А. Разблокируйте рукоятку сцепления.
- 2-В. Нажмите рукоятку сцепления



Убедитесь в отсутствии людей и животных в радиусе 20 м вокруг инструмента.



Задний ход

- 1-А. Измените положение красного переключателя заднего хода
- 1-В. Сожмите рукоятку заднего хода
- 2-А. Разблокируйте рукоятку сцепления.
- 2-В. Нажмите рукоятку сцепления



Убедитесь в отсутствии людей и животных в радиусе 20 м вокруг инструмента.



Использование заднего хода опасно. Убедитесь, что позади вас нет никаких препятствий, и уменьшите обороты двигателя, прежде чем включить сцепление.

ОСТАНОВКА



Остановка вращающихся инструментов

Отпустите рычаг сцепления.



Остановка двигателя

Переведите переключатель включения/выключения в положение OFF (ВЫКЛ).



Закройте кран подачи топлива



Уменьшите подачу газа

Установите ручку дросселя в положение:

L



Переведите заслонку в положение А

ТАБЛИЦА ТЕХНИЧЕСКОГО ОБСЛУЖИВАНИЯ

Ежедневная проверка

Перед запуском двигателя необходимо проверить следующее.

- Убедитесь в отсутствии ослабленных или сломанных гаек и болтов.



■ Чистота фильтрующего элемента воздушного фильтра



Запрещается использовать легковоспламеняющиеся растворители для очистки фильтрующего элемента поролонового воздушного фильтра.



■ Проверьте уровень масла

- Убедитесь в отсутствии утечек бензина или масла.



■ Надлежащий уровень бензина

- Содержите инструмент в чистоте.

- Защита окружающей среды.

- Отсутствие необычной вибрации или чрезмерного шума.

После первых 20 часов или раз в месяц

- Замените масло двигателя и редуктора.

Каждые 50 часов или раз в 3 месяца

- Очистите воздушный фильтр* (2 рис. 4.5).

Каждые 100 часов или раз в 6 месяцев

- Очистите фильтр.
- Замените масло двигателя и редуктора.
- Очистите свечу зажигания.
- Очистите колпачок свечи зажигания.

Каждые 300 часов или раз в год

- Замените воздушный фильтр*.
- Проверьте зазор в клапане**.
- Замените свечу зажигания.
- Очистите топливный фильтр**.
- Очистите камеру сгорания**.
- Отрегулируйте работу на холостом ходу**.
- Проверьте топливный контур**.

* При эксплуатации оборудования в условиях запыленного или загрязненного воздуха очистку следует проводить чаще.

** Необязательно при отсутствии проблем с производительностью (проводится в сертифицированной мастерской).



Перемещение



Остановите двигатель.

A Установите колесо в транспортное положение.

B Установите рукоятки в нижнее положение, чтобы облегчить передвижение инструмента.

C Поднимите ножи с земли с помощью рукоятки-руля и подайте вперед.

EN

BG

HR

CZ

DA

NL

ET

FI

FR

DE

GR

HU

IT

LV

LT

NO

PL

PT

RO

RU

SK

SL

ES

SE

TR

UK

- EN
- BG
- HR
- CZ
- DA
- NL
- ET
- FI
- FR
- DE
- GR
- HU
- IT
- LV
- LT
- NO
- PL
- PT
- RO
- RU**
- SK
- SL
- ES
- SE
- TR
- UK



ДЕКЛАРАЦИЯ СООТВЕТСТВИЯ ЕС



Настоящим мы подтверждаем, что следующее оборудование

Название изделия: мотокультиватор
 Коммерческое обозначение: неприменимо
 Функция: мотокультиватор (без ведомых колес)
 Тип: устройство с бензиновым двигателем
 № модели: MFT85 210R
 Серийный №: 16H190570

соответствует всем требованиям

Директивы по оборудованию (2006/42/ЕС)

и следующих согласованных стандартов

EN 709: 1997 + A4: 2009
 EN 709: 1997 + A4/AC:2012

соответствует всем требованиям

Директивы об электромагнитной совместимости (2014/30/EU)

и следующих согласованных стандартов:

EN ISO 14982: 2009

Ответственность за маркировку данной декларации лежит на

Название производителя : Husqvarna AB
 Адрес производителя : SE561 82 HUSKVARNA, ШВЕЦИЯ

Лицо, ответственное за сбор технических файлов, действующих в ЕС

Имя, фамилия : Husqvarna AB
 Адрес : SE561 82 HUSKVARNA, ШВЕЦИЯ

Лицо, ответственное за создание данной декларации

Имя, фамилия : Джон Томпсон
 Должность : Директор по маркетингу продукции, подразделение по работе с потребителями, EUAP
 Адрес : Husqvarna UK Ltd, Preston Road
 Aycliffe Industrial Park. Newton Aycliffe
 Co.Durham,DL5 6UP
 Дата : 15 ноября 2016 года

(Печать компании и подпись уполномоченного лица)

BEZPEČNOSTNÉ OPATRENIA

Osobitnú pozornosť venujte častiam označeným nasledujúcim spôsobom:



NEBEZPEČENSTVO: Upozorňuje na vysokú pravdepodobnosť vážneho alebo dokonca smrteľného zranenia v prípade nedodržania pokynov.

UPOZORNENIE: Upozorňuje na riziko zranenia alebo poškodenia zariadenia v prípade nedodržania pokynov.

POZNÁMKA: Upozorňuje na užitočnú informáciu.



Tento symbol vám pripomína, aby ste boli pri určitých úkonoch opatrní.

Ak máte problémy alebo otázky týkajúce sa kultivátora, obráťte sa na svojho autorizovaného dodávateľa.



NEBEZPEČENSTVO: Stroj je určený na bezpečnú a spoľahlivú prevádzku, ak sa používa v súlade s pokynmi. Pred používaním zariadenia sa uistite, že ste porozumeli obsahu tohto návodu. Inak by ste mohli utrpieť zranenie a mohlo by dôjsť k poškodeniu vášho zariadenia.

Školenie/informácie

Pred používaním zariadenia sa oboznámte so správnym používaním a ovládacími prvkami. Zistite, ako rýchlo zastaviť motor.

Zariadenie sa vždy musí používať v súlade s odporúčaniami uvedenými v návode na obsluhu.

Majte na pamäti, že za akékoľvek nehody alebo nebezpečné konanie, ktoré postihnú iných ľudí alebo ich majetok, zodpovedá používateľ. Je jeho povinnosťou posúdiť možné riziká vzťahujúce sa na plochu, ktorá sa má vykosiť, a prijať všetky preventívne opatrenia potrebné na zaistenie bezpečnosti, najmä na svahoch a na nespevnenom, klzkom alebo nerovnom povrchu.

Nikdy nedovoľte používať zariadenie deťom ani osobám, ktoré sa neoboznámili s návodom na používanie. Miestne právne predpisy môžu stanovovať minimálny vek používateľov.

Nikdy nepracujte, keď sa v okruhu 20 metrov od zariadenia nachádzajú ľudia, najmä deti, alebo zvieratá; obsluha musí mať v každom prípade pod kontrolou ovládacie prvky rúkovaťí.

Zariadenie nepoužívajte, ak beriete lieky alebo iné látky, ktoré môžu spomaliť vaše reakcie alebo spôsobiť ospalosť.

Osobitnú pozornosť venujte tvrdej zemi, pretože stabilita zariadenia je na nej zvyčajne nižšia než na obrábanej zemi.

Pri práci vždy noste pevnú, protišmykovú obuv a priliehavé dlhé nohavice. Nepoužívajte zariadenie, keď ste bosí alebo nosíte sandále. Odporúča sa ochrana sluchu.

Používajte zariadenie na účel, na ktorý je určené – na obrábanie pôdy. Akékoľvek iné použitie môže byť nebezpečné alebo môže spôsobiť poškodenie zariadenia.

Príprava

Dôkladne skontrolujte plochu, na ktorej sa má zariadenie používať, a odstráňte všetky predmety, ktoré môže zariadenie zasiahnuť (kamene, drôty, sklo, kovové predmety...).

Pred používaním vždy skontrolujte zariadenie, aby ste sa uistili, že nástroje nie sú opotrebované alebo poškodené. Opotrebované alebo poškodené diely vymeňte.

Elektrické káble, ktorými sa zastavuje motor, udržiavajte v dobrom stave, aby ste boli s určitosťou schopní motor zastaviť.

Skontrolujte, či neuniká benzín ani olej.

Nepoužívajte zariadenie bez ochranných krytov a skontrolujte, či sú všetky upevňovacie prvky utiahnuté.

Používanie

Na zariadení nikdy neprepravujte ľudí.

Pri štartovaní motora buďte opatrní, dodržiavajte pokyny výrobcu a nohy majte v bezpečnej vzdialenosti od noža (nožov).

Keď sa zariadenie nepoužíva, zastavte motor.

Keď držíte zariadenie, kráčajte, nebežte.

Buďte veľmi opatrní pri priťahovaní zariadenia k sebe alebo menení smeru otáčania (v prípade potreby).

Udržiavajte bezpečnú vzdialenosť od rotujúcich nožov danú dĺžkou stĺpika riadenia.

Rukami a chodidlami nezasahujte do blízkosti rotujúcich častí ani pod ne.

V prípade:

- nadmernej vibrácie,
- zablokovania,
- problému so zapájaním a odpájaním spojky,
- zrážky s cudzím telesom,
- znehodnotenia kábla zastavovania motora.

Okamžite zastavte motor (ak je kábel systému zastavovania motora prerazaný, zastavte motor pomocou ovládania štartéra podľa opisu v odseku „naštartovanie motora“), nechajte zariadenie vychladnúť, odpojte prívod k zapaľovacej sviečke, skontrolujte zariadenie a pred ďalším používaním nechajte vykonať potrebné opravy autorizovaným servisom.

Pracujte iba za denného svetla alebo pri dobrom umelom osvetlení.

Zariadenie nepoužívajte na svahoch šikmejších než 20°.

Pracujte naprieč svahom, nepohybujte sa po svahu smerom nahor alebo nadol.

V svahovitom teréne si udržiavajte stabilnú polohu, smer meňte veľmi opatrne.

Používanie iného než odporúčaného príslušenstva môže zvýšiť riziko pri používaní zariadenia a môže dôjsť k poškodeniu zariadenia, na ktoré sa nebude vzťahovať záruka.

Údržba/skladovanie

Pred čistením, kontrolou, nastavovaním alebo údržbou zariadenia alebo pred výmenou nástroja (nástrojov) zastavte motor a odpojte zapaľovaciu sviečku.

Pri výmene nástroja (nástrojov) zastavte motor, odpojte zapaľovaciu sviečku a použite hrubé rukavice.

Udržiavajte všetky matice a skrutky pevne utiahnuté, aby ste zaručili bezpečné podmienky používania.

Aby ste znížili riziko požiaru, zabezpečte, aby sa v blízkosti motora, tlmíča a mieste uchovávaní paliva nenachádzali rastliny, použitý olej alebo akýkoľvek iný horľavý materiál.

Ak je tlmíč výfuku poškodený, nechajte ho vymeniť v autorizovanom servise.

Diely neopravujte; vymeňte ich za náhradné diely dodávané výrobcom.

Rezné nože vymieňajte ako kompletné súpravy, aby zostali vyvážené.

Pre vlastnú bezpečnosť nemeňte vlastnosti vášho zariadenia. Nemeňte nastavenia otáčok motora a nenechávajte motor spustený pri nadmerných otáčkach. Pravidelná údržba má zásadný vplyv na zachovanie bezpečnosti a požadovanej úrovne výkonu.

Pred odstavením zariadenia nechajte vychladnúť motor.

Nebezpečenstvo! Benzín je vysoko horľavý!

Palivo uchovávajte v nádobách, ktoré sú na to osobitne určené. Nádrž vždy plňte vonku a nefajčíte pri tom.

Uzáver palivovej nádrže neodskrutkujte a nedopĺňajte benzín, kým motor beží alebo je stále horúci.

Ak je benzín rozliaty na zemi, nepokúšajte sa naštartovať motor; prepravte zariadenie inam a vyhýbajte sa každému otvorenému ohňu, kým sa benzínové výpary nerozplynú.

Zariadenie skladujte na suchom mieste. Zariadenie nikdy neskladujte v budove, kde sa môžu benzínové výpary dostať do styku s plameňom, iskrou alebo zdrojom intenzívneho tepla.

Vždy správne nasadte späť zátky palivovej nádrže a kanistra na benzín.

Nádrž nenapĺňajte doplna, aby ste predišli rozliatiu.

Nenechávajte motor spustený v stiesnenom priestore, kde sa môžu hromadiť výpary oxidu uhoľnatého.

Oxid uhoľnatý môže spôsobiť smrť. Zabezpečte dobré vetranie.

Presúvanie, manipulácia počas prepravy

Akýkoľvek úkon na zariadení, s výnimkou obrábania pôdy, sa musí vykonávať so zastaveným motorom.

Okrem pohybu pri obrábaní pôdy sa zariadenie musí presúvať pomocou prepravného kolieska podľa opisu v kapitole „Presúvanie“.

Manipulácia: nepokúšajte sa zariadenie zdvíhať. Hmotnosť zariadenia je uvedená na štítku výrobcu na konci tohto návodu. Aby sa zaručila bezpečnosť, prispôbte spôsob manipulácie hmotnosti zariadenia a situácii.

Pri nakladaní zariadenia na prives alebo jeho skladaní z privesu použite vhodnú rampu. Na zaručenie bezpečnej prepravy zariadenie riadne upevnite.

Zariadenie by sa malo prepravovať v privese; nepoužívajte žiadny iný spôsob prepravy.

EN

BG

HR

CZ

DA

NL

ET

FI

FR

DE

GR

HU

IT

LV

LT

NO

PL

PT

RO

RU

SK

SL

ES

SE

TR

UK

DEFINÍCIE PIKTOGRAMOV



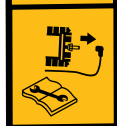
VÝSTRAHA
Nebezpečenstvo



VÝSTRAHA
Udržiavajte bezpečnú vzdialenosť



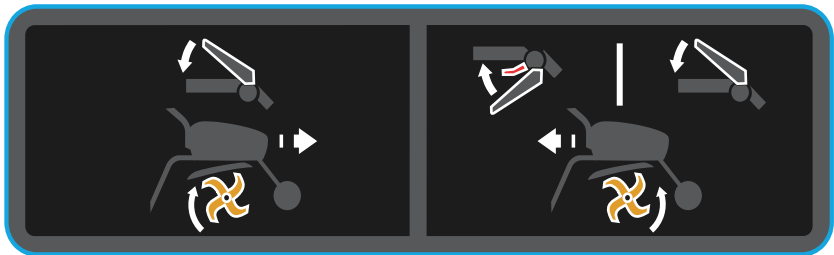
VÝSTRAHA
Rotujúce nástroje



VÝSTRAHA
Pozrite si návod na obsluhu a pred vykonávaním akejkoľvek práce vyberte zapalovaciu sviečku.



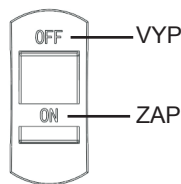
VÝSTRAHA
Prečítajte si návod na obsluhu



DOPREDU

DOZADU

Vypínač



Zaručená úroveň hlučnosti



Je potrebné používať ochranu uší.

TECHNICKÉ ÚDAJE

Model	MFT85 210R	Menovitý výkon hp (kW) pri ot./min	4,8 (3,6) pri 3 100
Šírka orby (mm)	780	Prevody	-1,0,1
Hĺbka orby	100 – 200	Prevodový olej	Mazivo
Typ motora	McCulloch 210 (WM170F-2/P)	Celková hmotnosť (kg)	65,0
Palivo	Benzín	Čistá hmotnosť (kg)	60,0
Objem palivovej nádrže (l)	3,60	Veľkosť balenia (mm)	780x500x660
Objem oleja (l)	0,35	Certifikácia	CE, EAC
Objem valcov	212 cm ³	Zaručená úroveň akustického tlaku	2 dB(A)
Úroveň akustického tlaku	78 dB(A)	Hodnota ochrany pred hlukom	2%
Úroveň hlučnosti	98 dB(A)	Hodnota vibrácií v rukoväti	Ľavá rukoväť: 7,2 mm/s ² Pravá rukoväť: 7,4 mm/s ²
Odchýlka hlučnosti	2 dB(A)		

VYBALENIE/MONTÁŽ

Poznámka: V rámci neustáleho úsilia o zlepšovanie produktov výrobca vyhlasuje, že celý tento návod nie je zmluvne záväzný, a vyhradzuje si právo meniť technické údaje zariadení bez predchádzajúceho upozornenia.

Vybalenie

1.1



UPOZORNENIE:

Pri prerezávaní hrán škatule dávajte pozor, aby ste neprerezáli káble alebo nepoškřabali náter zariadenia.

Ref.	Obsah škatule
A	Motorová časť
B	Odporová tyč
C	Predné koleso
D	Rúrka stojana
E	Kryt riadidiel
F	Ovládací gombík
G	Ochranný kryt
H	Hlavný hrot, vpravo
I	Hlavný hrot, vľavo
J	Kofajnica
K	Kryt hrotov
L	Vak na nástroje
M	Ochranný kryt rastlín
N	Vedľajší hrot – 1, vľavo
O	Vedľajší hrot – 1, vpravo
P	Vedľajší hrot – 2, vľavo
Q	Vedľajší hrot – 2, vpravo



1.2

Montáž



UPOZORNENIE:

Nesprávna montáž tohto rotačného kultivátora by mohla spôsobiť vážne zranenia. Dôkladne dodržiavajte všetky pokyny.

- 1 Upevnenie krytu hrotov.
- 2 Upevnenie prvej skupiny hrotov.
Ostré hrany musia smerovať na jednu stranu.
- 3 Upevnenie odporovej tyče.
- 4 Upevnenie predného kolesa.
- 5 Upevnenie rúrky stojana.
- 6 Upevnenie koľajničky.
- 7 Upevnenie krytu riadidiel.
- 8 Upevnenie ochranného krytu.
- 9 Upevnenie druhej skupiny hrotov – vpravo.
- 10 Upevnenie druhej skupiny hrotov – vľavo.
- 11 12 Upevnenie tretej skupiny hrotov – vľavo a vpravo.
- 13 14 Upevnenie ochranného krytu rastlín.



Upozornenie:

Po dokončení montáže primerane utiahnite všetky svorníky a skrutky: neutahujte ich prisilno.

Poznámka: Akúkoľvek demontáž smie vykonávať len autorizovaný servis.



1.3

Opis komponentov

- 1 – Motor
- 2 – Rukoväť spojky
- 3 – Kryt riadidiel
- 4 – Spínač zapnutia/vypnutia
- 5 – Ochranný kryt rastlín
- 6 – Ovládanie plynu
- 7 – Súprava rukovätí
- 8 – Posúvanie páky
- 9 – Hrot
- 10 – Odporová tyč
- 11 – Predné koleso



1.4

Identifikačný štítok zariadenia



1.5

Prepravné koliesko

A = pracovná poloha.
B = prepravná poloha.

NAŠTARTOVANIE STROJA



2.1

Dopĺňanie motorového oleja a kontrola hladiny



2.2

Dopĺňanie benzínu



2.3

Vstrekovanie oleja do stanovenej polohy



2.4

Otvorte benzínový spínač



2.5

Uved'te sýtič do polohy A



2.6

Ovládanie plynu

Uved'te páku do polohy: **H**



2.7

Uved'te spínač zapnutia/vypnutia do polohy „on“ (zap.)



2.8

Potiahnite rukoväť štartovacieho lanka



2.9

Uved'te sýtič do polohy B



Upozornenie:

Po naštartovaní zariadenia zostaňte v bezpečnej zóne.

EN

BG

HR

CZ

DA

NL

ET

FI

FR

DE

GR

HU

IT

LV

LT

NO

PL

PT

RO

RU

SK

SL

ES

SE

TR

UK

POUŽÍVANIE



3.1

Dopredu

1. Nechajte spojku pre jazdu späť v polohe, v akej je.
- 2-A. Odblokujte rukoväť spojky.
- 2-B. Zatiačte rukoväť spojky.



Okolo zariadenia udržiavajte bezpečnú zónu s polomerom 20 m.



3.2

Späť

- 1-A. Preklopte červený spínač späť.
- 1-B. Stlačte rukoväť späť.
- 2-A. Odblokujte rukoväť spojky.
- 2-B. Zatiačte rukoväť spojky.



Okolo zariadenia udržiavajte bezpečnú zónu s polomerom 20 m.



Používanie späť je nebezpečné. Pred zapojením spojky sa uistite, že sa za vami nenachádzajú žiadne prekážky, a znížte otáčky motora.

ZASTAVENIE



4.1

Zastavenie rotujúcich nástrojov

Uvoľnite páku spojky.



4.3

Zastavenie motora

Uveďte spínač zapnutia/vypnutia do polohy OFF (Vyp.).



4.5

Zatvorte uzatvárací palivový ventil



4.2

Znížte plyn

Uveďte ovládanie plynu do polohy:



4.4

Uveďte sýtič do polohy A

TABUĽKA ÚDRŽBY

Každodenná kontrola

Pred spustením motora skontrolujte tieto položky.

- Žiadne matice ani skrutky nesmú byť uvoľnené ani poškodené.



4.5

Čistota vložky vzduchového filtra



Na čistenie vložky penového vzduchového filtra nepoužívajte horľavé rozpúšťadlá.



2.1

Skontrolujte hladinu mazacieho oleja

- Žiadny únik benzínu ani mazacieho oleja.



2.2

Dostatok benzínu

- Zariadenie udržiavajte čisté.
- Ochrana životného prostredia.

- Žiadne nezvyčajné vibrácie ani nadmerný hluk.

Po prvých 20 hodinách alebo každý mesiac

- Vymeňte mazací olej motora a prevodovky.

Každých 50 hodín alebo každé 3 mesiace

- Vyčistíte vzduchový filter* (2 obr. 4.5).

Každých 100 hodín alebo každých 6 mesiacov

- Vyčistíte filter.
- Vymeňte mazací olej motora a prevodovky.
- Vyčistíte zapaľovaciu sviečku.
- Vyčistíte kryt zapaľovacej sviečky.

Každých 300 hodín alebo raz za rok

- Vymeňte vzduchový filter*.
- Skontrolujte vôľu ventilu**.
- Vymeňte zapaľovaciu sviečku.
- Vyčistíte palivový filter**.
- Vyčistíte spaľovaciu komoru**.
- Nastavte voľnobeh**.
- Skontrolujte palivový obvod**.

* Čistite častejšie, ak sa používa v prašnom prostredí alebo prostredí plnom nečistôt vo vzduchu.

** Je dôležité len pri problémoch s výkonom (vykonáva autorizovaný servis).



5.1

Preprava



Zastavte motor.

A Nastavte koleso do polohy pohybu.

B Na uľahčenie pohybu zariadenia nastavte rukoväť do dolnej polohy.

C Zdvihnite nože zo zeme pomocou rukovätí a potom postupujte dopredu.

EN

BG

HR

CZ

DA

NL

ET

FI

FR

DE

GR

HU

IT

LV

LT

NO

PL

PT

RO

RU

SK

SL

ES

SE

TR

UK

- EN
- BG
- HR
- CZ
- DA
- NL
- ET
- FI
- FR
- DE
- GR
- HU
- IT
- LV
- LT
- NO
- PL
- PT
- RO
- RU
- SK**
- SL
- ES
- SE
- TR
- UK



VYHLÁSENIE O ZHODE



Pre nasledujúce strojové zariadenie

Názov výrobku: Kultivátor
Komerčný názov: –
Funkcia: Kultivátor (bez hnacích kolies)
Typ: Benzín
Model č.: MFT85 210R
Výrobné č.: 16H190570

týmto potvrdzuje, že spĺňa všetky príslušné ustanovenia

smernice o strojových zariadeniach (2006/42/ES)

a boli splnené nasledujúce harmonizované normy

EN 709: 1997 + A4: 2009
EN 709: 1997 + A4/AC:2012

týmto potvrdzuje, že spĺňa všetky príslušné ustanovenia

smernice týkajúcej sa elektromagnetickej kompatibility (2014/30/EÚ)

a bola splnená nasledujúca harmonizovaná norma:

EN ISO 14982: 2009

Zodpovedný za podpísanie tohto vyhlásenia je

Názov výrobcu : Husqvarna AB
Adresa výrobcu : SE561 82 HUSKVARNA, ŠVÉDSKO

Osoba zodpovedná za zozbieranie technických údajov požadovaných v rámci EÚ

Meno, priezvisko : Husqvarna AB
Adresa : SE561 82 HUSKVARNA, ŠVÉDSKO

Osoba zodpovedná za toto vyhlásenie

Meno, priezvisko : John Thompson
Funkcia/titul : Produktový a marketingový riaditeľ, spotrebiteľská divízia EUAP
Miesto : Husqvarna UK Ltd, Preston Road
Aycliffe Industrial Park. Newton Aycliffe
Co.Durham,DL5 6UP
Dátum : 15. novembra 2016

(Pečiatka a podpis spoločnosti)

VARNOSTNA NAVODILA

Posebej pozorni bodite na poglavja, označena tako:



NEVARNOST: Opozarja na veliko verjetnost težkih ali celo smrtnih poškodb v primeru neupoštevanja navodil.

OPOZORILO: Označuje nevarnost telesnih poškodb ali materialne škode opreme v primeru neupoštevanja navodil.

OPOMBA: Označuje pomembne informacije.



Simbol označuje na posebno pozornost pri nekaterih posegih.

V primeru kakršnih koli težav ali vprašanj o kultivatorju se obrnite na pooblaščenega dobavitelja.



NEVARNOST: Stroj je zasnovan za varno in zanesljivo delovanje, če so navodila upoštevana. Pred uporabo stroja morate prebrati in razumeti ta navodila. V nasprotnem primeru lahko pride do telesnih poškodb ali materialne škode.

Usposabljanje/podatki

Pred uporabo stroja se seznanite s pravilno uporabo in krmilnimi elementi. Seznanite se z načinom hitrega izklopa motorja.

Stroj je treba vedno uporabljati v skladu s priporočili v navodilih za uporabo.

Uporabnik je odgovoren za vse nesreče ali nevarne posledice za ljudi in njihovo lastnino. Uporabnik mora morebitne nevarnosti na tleh odstraniti in tako poskrbeti za varnost, še posebej na klančinah ter mehkih, drsečih ali neravnih tleh.

Izdelka ne smejo uporabljati otroci ali osebe, ki niso seznanjene z navodili, je v veljavi lokalna zakonodaja, ki določa najnižjo dovoljeno starost uporabnika.

Ne izvajajte del v bližini ljudi, še posebej otrok ali živali na razdalji, manjši od 20 metrov okrog stroja. Uporabnik mora obvezno ostati pri krmilnih vzvodih.

Stroja ne uporabljajte, če ste pod vplivom zdravil ali drugih snovi, ki lahko upočasnijo vaše reakcije ali zaradi katerih ste lahko omotični.

Posebej pozorni bodite na zbitih tleh, saj je stroj veliko manj stabilen kot na obdelani površini.

Pri delu vedno nosite trpežno in nedrsečo obutev ter prilegajoče dolge hlače. Ne uporabljajte stroja brez obutve ali v sandalih. Priporočena je zaščita za sluh.

Stroj uporabljajte za prekopavanje, torej v skladu s predvideno uporabo. Drugačnja uporaba lahko povzroči poškodbe stroja.

Priprava

Previdno preverite območje predvidene uporabe stroja in iz njega odstranite vse predmete, ki bi lahko naprava izvrgla (kamenje, žice, steklo, kovinski predmeti ...).

Pred uporabo obvezno preverite stroj in se prepričajte, da orodja niso obrabljena ali poškodovana. Če so deli poškodovani ali obrabljeni, jih zamenjajte.

Vzdržujte električne kable za izklop motorja v dobrem stanju, da boste lahko prepričani v dobro delovanje.

Preverite, da bencin ali olje ne puščata.

Stroja ne uporabljajte brez zaščitnih pokrovov in se prepričajte da so vsi nastavki zategnjeni.

Uporaba

S strojem ne prevažajte oseb.

Ob zagonu motorja v skladu z navodili za zagon z nogami ne segajte v območje delovanja rezil.

Ko stroj ne deluje, izklopite motor.

Med držanjem stroja morate hoditi, ne tecite.

Pri vleki stroja proti sebi ali pri vzvratni smeri delovanja (če vam ustreza) bodite previdni.

Bodite na varni razdalji od rezil, to pomeni na dolžini volanskega droga.

Z rokami ali nogami ne segajte v bližino ali pod vrteče se dele.

V primeru:

- neobičajnih vibracij,
- blokade,
- težav vklopu ali izklopu sklopke,
- trka s tujkom,
- poslabšanja stanja zaustavitvene žične potege motorja.

Nemudoma izklopite motor (v primeru izpada zaustavitvene žične potege motorja z nemudoma izklopite motor z gumbom za zagon, kot je opisano v odstavku "zagon motorja"), počakajte, da se motor ohladi, odklopite kabel vžigalne svečke, pregledajte stroj, pred ponovno uporabo pa naj ga popravi pooblaščen servisier.

Uporabljajte samo pri dnevni svetlobi ali dobri razsvetljavi.

Stroja ne uporabljajte na pobočjih z naklonom, večjim od 20°.

Dela opravljajte prečno na klančino, ne navzgor in navzdol.

Na nagnjenem terenu stojte trdno, smer spreminjajte zelo previdno.

Z namestitvijo dodatne opreme, ki ni odobrena, stroj ni varen, posledično pa lahko pride tudi do poškodb stroja, ki jih garancija ne krije.

Vzdrževanje/skladiščenje

Pred čiščenjem, pregledom, nastavljanjem ali vzdrževanjem stroja ali zamenjavo orodja, izklopite motor in odklopite vžigalno svečko.

Izklopite motor odklopite vžigalno svečko in z ojačanimi rokavicami zamenjajte orodje.

Za varno uporabo morajo biti vse matice in vijaki zategnjeni.

Za zmanjšanje nevarnosti ognja motor, glušnik in posoda za gorivo ne smejo biti prekriti z rastlinami, odpadnim oljem ali katerim drugim vnetljivim materialom.

Če je glušnik izpušnega sistema pokvarjen, naj ga zamenja pooblaščen servisier.

Ne popravljate delov; zamenjajte jih z enakimi originalnimi deli proizvajalca.

Za ohranjanje uravnoteženosti, zamenjajte rezila v kompletni.

Za lastno varnost ni dovoljeno spreminjati lastnosti stroja. Spreminjanje nastavitev št. vrtljajev motorja in uporaba pri previsokem št. vrtljajev nista dovoljena. Redna vzdrževanja so bistvenega pomena za varnost in vzdrževanje ravni zmogljivosti.

Pred shranjevanjem stroja počakajte, da se motor ohladi.

Nevarnost! Bencin je zelo vnetljiv!

Gorivo hranite v posebej zasnovanih posodah. Gorivo vedno dolivajte na prostem. Pri tem ne kadite.

Pokrovčka posode za gorivo ne odvijte in ne dolivajte goriva, ko motor deluje ali je še vroč.

Če se po tleh polije gorivo, motorja ne zaganjajte. Stroj prestavite na drugo mesto in se izogibajte odprtemu ognju, dokler polito gorivo ne izhlapi.

Stroj shranite na suhem. Stroja nikoli ne hranite v stavbah, kjer lahko hlapi pridejo v stik s plamenom, iskrami ali virom visoke vročine.

Pokrovčka rezervoarja in posod za gorivo namestite pravilno.

Za preprečevanje izlivanja omejite količino goriva v posodi.

Ne uporabljajte motorja v zaprtih prostorih, kjer se lahko koncentracija ogljikovega monoksida nevarno povišuje.

Ogljikov monoksid je lahko usoden. Zagotovite dobro prezračevanje.

Premikanje, transport

Vsa dela na stroju, razen prekopavanja, je treba opravljati pri izklopljenem motorju.

Razen pri prekopavanju, je treba stroj premikati s transportnim kolescem, kot je opisano v poglavju "Premikanje".

Dela: ne dvigujte stroja. Teža stroja je navedena na tipski ploščici in na koncu tega priročnika. Za zagotavljanje varnosti ravnajte v skladu s težo stroja in v skladu z okoliščinami.

Pri nakladanju stroja na prikolico ali razkladanju z nje uporabljajte primerno klančino. Za varen transport morate stroj primerno privezati.

Stroj je treba transportirati na prikolici. Drug način transporta ni dovoljen.

EN

BG

HR

CZ

DA

NL

ET

FI

FR

DE

GR

HU

IT

LV

LT

NO

PL

PT

RO

RU

SK

SL

ES

SE

TR

UK

RAZLAGE PIKTOGRAMOV



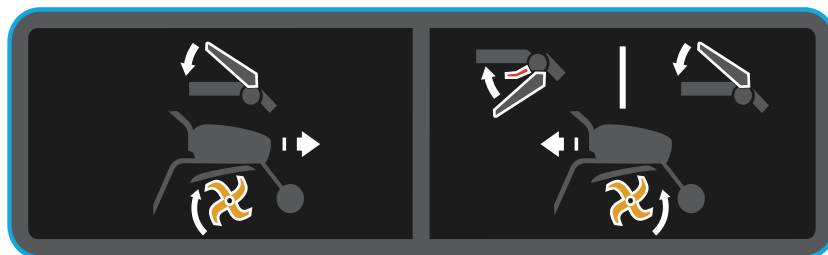
OPOZORILO
Nevarnost

OPOZORILO
Ohranjajte varno razdaljo

OPOZORILO
Rotacijska orodja

OPOZORILO
Pred deli si oglejte navodila za uporabo in odstranite vžigalno svečko.

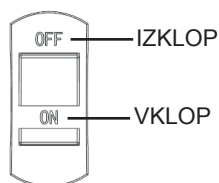
OPOZORILO
Preberite navodila za uporabo



NAPREJ

VZVRATNO

Stikalo za zaustavitev



Zagotovljena raven zvočne moči



Obvezna je uporaba zaščite za sluh.

TEHNIČNE INFORMACIJE

Model	MFT85 210R	Nazivna moč v KM (kW) pri št. vrt/min	4,8 (3,6) pri 3100
Širina prekopavanja v mm	780	Prestave	-1, 0, 1
Globina prekopavanja v mm	100–200	Olje za menjalnik	Mast
Tip motorja	McCulloch 210 (WM170F-2/P)	Bruto teža v kg	65,0
Gorivo	Bencin	Neto teža v kg	60,0
Prostornina posode za gorivo v l	3,60	Mere embalaže v mm	780 × 500 × 660
Prostornina posode za olje v l	0,35	Potrdilo	CE, EAC
Gibna prostornina	212 cm ³	Zajamčena raven zvočnega tlaka	2 dB(A)
Raven zvočnega tlaka	78 dB(A)	Odstopanje vibracij	2%
Raven zvočne moči	98 dB(A)	Raven vibracij pri ročaju	Levi ročaj: 7,2 mm/s ² Desni ročaj: 7,4 mm/s ²
Odstopanje hrupa	2 dB(A)		

ODSTRANITEV EMBALAŽE/SESTAVLJANJE

Opomba: V želji po nenehnem izboljševanju izdelkov proizvajalec izjavlja, da celotna vsebina teh navodil ni popolnoma istovetna, in si pridržuje pravico do sprememb specifikacij brez predhodnega obvestila.

1.1 Odstranitev embalaže

OPOZORILO:
Pri rezanju po vogalih paketa pazite, da ne poškodujete žičnih poteg in kablov ali barve izdelka.

Referenca	Vsebina paketa
A	Motorni sklop
B	Omejevalni drog
C	Sprednje kolo
D	Nosilna noga
E	Ščitnik za roke
F	Gumb
G	Zaščitni pokrov
H	Glavna rezila, desno
I	Glavna rezila, levo
J	Vodilo
K	Pokrov rezil
L	Torba za orodje
M	Ščitnik za rastline
N	Pomožna rezila – 1, levo
O	Pomožna rezila – 1, desno
P	Pomožna rezila – 2, levo
Q	Pomožna rezila – 2, desno

1.2 Sestavljanje

OPOZORILO:
Neustrezno sestavljanje tega rotacijskega prekopalnika lahko povzroči težke telesne poškodbe. Natančno upoštevajte vsa navodila.

- 1 Namestitev zaščitnega pokrova nad rezili.
- 2 Namestitev prvega sklopa rezil.
Pazite, da so vsi ostri robovi usmerjeni v isto smer.
- 3 Namestitev omejevalnega droga
- 4 Namestitev sprednjega kolesa.
- 5 Namestitev nosilne noge.
- 6 Namestitev vodila.
- 7 Namestitev ščitnika za roke.
- 8 Namestitev zaščitnega pokrova.
- 9 Namestitev drugega sklopa rezil – desno.
- 10 Namestitev drugega sklopa rezil – levo.
- 11 12 Namestitev tretjega sklopa rezil – levo in desno.
- 13 14 Namestitev ščitnika za rastline.

Opozorilo:
Po dokončanem sestavljanju stroja previdno zategnite vse vijake: ne zategnite premočno.

Opomba: Vsa dela, ki vsebujejo razstavljanje, mora izvesti pooblaščen servisna delavnica

1.3 Opis delov

- 1 – Motor
- 2 – Ročaj sklopke
- 3 – Ščitnik za roke
- 4 – Stikalo za vklop/izklop
- 5 – Ščitnik za rastline
- 6 – Uravnavanje plina
- 7 – Komplet ročajev
- 8 – Prestavljanje z ročico
- 9 – Rezila
- 10 – Omejevalni drog
- 11 – Sprednje kolo

1.4 Identifikacijska ploščica stroja

1.5 Kolo za prevoz

A = delovni položaj.
B = položaj za prevoz.

ZAGON STROJA

2.1 Dolivanje in preverjanje nivoja motornega olja

2.2 Dolivanje goriva

2.3 Vbrizgavanje olja na označeno mesto

2.4 Odprite stikalo za dovod goriva

2.5 Postavite čok v položaj A

2.6 Uravnavanje plina

Ročico postavite v položaj: **H**

2.7 Stikalo za vklop/izklop prestavite v položaj za vklop

2.8 Povlecite zaganjalno ročico s povratno vzmetjo

2.9 Postavite čok v položaj B

Opozorilo:
Ko se stroj zažene, ostanite znotraj varnostnega območja.

EN

BG

HR

CZ

DA

NL

ET

FI

FR

DE

GR

HU

IT

LV

LT

NO

PL

PT

RO

RU

SK

SL

ES

SE

TR

UK

USE



Naprej

3.1

1. Sklopko za vzvratno smer delovanja pustite kot je.
- 2-A. Odklenite ročaj sklopke.
- 2-B. Stisnite ročaj sklopke.



V okolici 20 m od stroja ohranjajte varnostno območje.



Vzvratna vožnja

3.2

- 1-A. Preklopite rdeče stikalo za vzvratno smer delovanja.
- 1-B. Stisnite ročico za vzvratno smer delovanja.
- 2-A. Odklenite ročaj sklopke.
- 2-B. Stisnite ročaj sklopke.



V okolici 20 m od stroja ohranjajte varnostno območje.



Uporaba vzvratne smeri delovanja je nevarna. Preden aktivirate sklopko, se prepričajte, da za vami ni ovir, in zmanjšajte število vrtljajev motorja.

ZAUSTAVLJANJE



Zaustavitev vrtljivih orodij

4.1

Sprostite vzvod sklopke.



Zaustavitev motorja

4.3

Stikalo za vklop/izklop prestavite v položaj za izklop.



Zaprte ventil za gorivo

4.5



Zmanjšajte dovod plina

4.2

Nastavite uravnavanje plina na:



Postavite čok v položaj A

4.4

TABELA VZDRŽEVALNIH DEL

Dnevni pregled	Po prvih 20 urah ali vsak mesec
<p>Pred zagonom motorja preverite naslednje točke.</p> <ul style="list-style-type: none"> ■ Ne sme biti zrahljanih ali poškodovanih matic ali vijakov. 	<ul style="list-style-type: none"> ■ Zamenjajte motorno olje in olje v menjalniku.
<p> Čistoča vložka zračnega filtra</p>	<p>Vsake 50 ur ali vsake 3 mesecev</p> <ul style="list-style-type: none"> ■ Očistite zračni filter (2; slika 4.5).
<p> Za čiščenje penastega vložka zračnega filtra ne uporabljajte vnetljivih topil.</p>	<p>Vsake 100 ur ali vsake 6 mesecev</p> <ul style="list-style-type: none"> ■ Očistite filter. ■ Zamenjajte motorno olje in olje v menjalniku. ■ Zamenjajte vžigalno svečko. ■ Zamenjajte pokrov vžigalne svečke.
<p> Preverite nivo olja</p>	<p>Vsake 300 ur ali enkrat letno</p> <ul style="list-style-type: none"> ■ Zamenjajte zračni filter*. ■ Preverite zračnost v ventilu**. ■ Zamenjajte svečko. ■ Očistite filter goriva. ■ Očistite zgorevalno komoro**. ■ Nastavite prosti tek**. ■ Preverite krogotok goriva**.
<p>■ Ne sme biti puščanja bencina ali olja.</p>	<p>* V okolju, kjer je v zraku veliko prahu ali drugih delcev, mora biti čiščenje pogostejše.</p> <p>** Ni nujno potrebno, razen pri težavah z delovanjem (poseg mora opraviti odobrena servisna delavnica).</p>
<p> Dovolj bencina</p>	
<p>■ Stroj redno čistite.</p> <p>■ Varovanje okolja.</p> <p>■ Ne sme biti neobičajnih tresljajev ali glasnih zvokov.</p>	

TABELA VZDRŽEVALNIH DEL



Premikanje



Izklopite motor.

A Kolo nastavite v položaj za premikanje.

B Ročaja postavite v spodnji položaj, da boste lažje premaknili stroj.

C Z ročaji dvignite rezila od tal in pomaknite stroj naprej.

EN

BG

HR

CZ

DA

NL

ET

FI

FR

DE

GR

HU

IT

LV

LT

NO

PL

PT

RO

RU

SK

SL

ES

SE

TR

UK

- EN
- BG
- HR
- CZ
- DA
- NL
- ET
- FI
- FR
- DE
- GR
- HU
- IT
- LV
- LT
- NO
- PL
- PT
- RO
- RU
- SK
- SL**
- ES
- SE
- TR
- UK



IZJAVA ES O SKLADNOSTI



Potrjujemo, da v nadaljevanju opisani stroj

Naziv izdelka: Motorni prekopalnik
Trgovsko ime: /
Funkcija: Motorni prekopalnik (brez gnanih koles)
Tip: Bencin
Št. modela: MFT85 210R
Serijska številka: 16H190570

izpolnjuje vse zadevne določbe

Direktive o strojih (2006/42/ES)

in naslednjih harmoniziranih standardov

EN 709: 1997 + A4: 2009
EN 709: 1997 + A4/AC:2012

izpolnjuje vse zadevne določbe

Direktive o elektromagnetni združljivosti (2014/30/EU)

in naslednjih harmoniziranih standardov:

EN ISO 14982: 2009

Odgovorni za sestavljanje te izjave

Ime proizvajalca : Husqvarna AB
Naslov proizvajalca : SE561 82 HUSKVARNA, ŠVEDSKA

Oseba, odgovorna za sestavljanje tehničnih dokumentov znotraj EU

Ime, priimek : Husqvarna AB
Naslov : SE561 82 HUSKVARNA, ŠVEDSKA

Oseba, za sestavljanje te izjave

Ime, priimek : John Thompson
Položaj/naziv : Product & Marketing Director, Consumer Division EUAP
Naslov : Husqvarna UK Ltd, Preston Road
Aycliffe Industrial Park. Newton Aycliffe
Co.Durham,DL5 6UP
Datum : 15. november 2016

(Žig podjetja in podpis pooblaščenega osebe)

PRECAUCIONES DE SEGURIDAD

Se debe prestar especial atención a las secciones señaladas de la manera siguiente:



PELIGRO: Indica que la probabilidad de sufrir daños graves o incluso mortales en caso de no seguir la instrucción es muy alta.

ADVERTENCIA: Indica que existe el riesgo de sufrir lesiones o causar daños materiales en caso de no seguir las instrucciones.

NOTA: Indica información de utilidad.



Este símbolo le recuerda que debe tener cuidado con ciertas operaciones.

Si tiene problemas o preguntas sobre la motoazada, póngase en contacto con su proveedor autorizado.



PELIGRO: La máquina se ha diseñado para que su uso sea fiable y seguro si se siguen las instrucciones. Antes de utilizar la máquina, asegúrese de haber entendido el contenido de este manual. De lo contrario, podría sufrir lesiones y el equipo podría resultar dañado.

Formación e información

Familiarícese con el uso correcto y con los controles antes de utilizar la máquina. Aprenda a detener el motor rápidamente.

La máquina debe utilizarse siempre según las recomendaciones del manual de instrucciones.

Recuerde que el usuario es responsable de los accidentes o reacciones peligrosas en los que se vean afectadas otras personas o sus pertenencias. Es su responsabilidad evaluar los riesgos potenciales del terreno en el que se va a trabajar así como adoptar las medidas de precaución necesarias para garantizar la seguridad, en particular en pendientes y en terrenos irregulares, resbaladizos e inestables.

No permita que niños ni adultos que no estén familiarizados con estas instrucciones utilicen la máquina. Es posible que las leyes locales establezcan una edad mínima para poder usar la máquina.

Nunca trabaje si hay animales o personas, especialmente niños, a menos de 20 metros de la máquina; el operador debe tener en todo momento el control de la máquina.

No utilice la máquina si ha estado tomando medicamentos u otras sustancias que puedan mermar su capacidad de reacción o que puedan producir sueño.

Preste especial atención sobre terrenos duros, ya que la máquina suele ser mucho menos estable que sobre terrenos cultivados.

Cuando trabaje, utilice siempre calzado antideslizante y resistente, y pantalones largos ceñidos. No utilice la máquina descalzo o con sandalias. Se recomienda el uso de protectores auriculares.

Utilice la máquina según su uso previsto: cavar y remover la tierra. Cualquier otro uso puede ser peligroso o causar daños en la máquina.

Preparación

Inspeccione detenidamente la zona en la que se va a utilizar la máquina y retire todos los objetos que puedan salir despedidos por la acción de la esta (piedras, alambre, cristal, objetos de metal, etc.).

Antes de usarla, revise siempre la máquina para asegurarse de que las herramientas no están desgastadas ni dañadas. Sustituya las piezas que estén desgastadas o dañadas.

Los cables eléctricos utilizados para detener el motor deben conservarse en buen estado para poder parar el motor cuando lo necesite.

Asegúrese de que no haya fugas de gasolina o aceite.

No utilice la máquina sin las protecciones y asegúrese de que todas las conexiones estén bien apretadas.

Uso

Nadie debe trasladarse sobre la máquina.

Tenga cuidado al arrancar el motor, siga las instrucciones del fabricante y mantenga los pies alejados de las fresas.

Detenga el motor cuando no se utilice la máquina. Cuando use la máquina, camine y no corra.

Tenga mucho cuidado al tirar de la máquina hacia usted o al invertir la dirección de rotación (si lo prefiere).

Guarde una distancia de seguridad con respecto a las fresas giratorias; esta distancia viene determinada por la longitud de la columna de dirección.

No coloque las manos ni los pies cerca o debajo de las piezas giratorias.

Ante lo siguiente:

- Vibración anómala.
- Bloqueo.
- Problemas para engranar o desengranar el embrague.
- Colisión con un objeto extraño.
- Deterioro del cable de parada del motor.

Pare el motor inmediatamente (si el cable de parada del motor está roto, utilice el control del mecanismo de arranque tal como se describe en el apartado "Arranque del motor" para detener el motor), deje que la máquina se enfríe, desconecte el cable de la bujía, revise la máquina y llévela a un taller autorizado para efectuar las reparaciones oportunas antes de volver a utilizarla.

Cuando use la máquina, hágalo solo de día o con buena iluminación artificial.

No utilice la máquina en pendientes de más de 20°.

En pendientes, trabaje siempre de lado, no suba ni baje por ellas.

Apoye bien los pies en pendientes y cambie de dirección con mucho cuidado.

El uso de accesorios distintos a los recomendados aumenta el nivel de peligrosidad de la máquina y puede causar daños en la unidad que no estarán cubiertos por la garantía.

Mantenimiento y almacenamiento

Pare el motor y desconecte la bujía antes de limpiar, revisar, regular o realizar tareas de mantenimiento en la máquina, o de cambiar las herramientas.

Detenga el motor, desconecte la bujía y utilice guantes gruesos al cambiar las herramientas.

Para garantizar la seguridad durante el uso de la máquina, todos los pernos y las tuercas deben estar bien apretados.

Para reducir el riesgo de incendio, mantenga el motor, el silenciador y el depósito de combustible sin restos de vegetación, aceite residual o cualquier otro tipo de material inflamable.

Si el silenciador de escape está defectuoso, acuda a un taller autorizado para sustituirlo.

No repare los componentes, sustitúyalos por repuestos originales.

Sustituya las fresas en conjunto para que estén equilibradas.

Por su propia seguridad, no modifique las características de su máquina. No cambie los ajustes de régimen del motor ni lo revolucione en exceso. Llevar a cabo las tareas de mantenimiento periódico es fundamental para garantizar la seguridad y mantener el nivel de rendimiento.

Deje que el motor se enfríe antes de guardar la máquina.

Peligro: La gasolina es altamente inflamable.

Guarde siempre el combustible en envases especialmente diseñados para ello. Llène siempre el depósito al aire libre y no fume mientras lo haga.

No desenrosque el tapón de combustible ni llene el depósito con gasolina con el motor en marcha o aún caliente.

Si se vierte gasolina en el suelo, no arranque el motor; lleve la máquina a otro lugar y evite que la gasolina entre en contacto con llamas abiertas hasta que los vapores se hayan dispersado.

Guarde la máquina en un lugar seco. Nunca guarde la máquina en un lugar donde los vapores de gasolina puedan entrar en contacto con una llama, una chispa o una fuente de calor intenso.

Vuelva a tapar debidamente el depósito de combustible y el bidón de gasolina.

Con el fin de evitar derrames, reduzca al mínimo la cantidad de gasolina presente en el depósito.

No ponga en marcha el motor en un recinto cerrado para evitar que el monóxido de carbono se acumule.

El monóxido de carbono puede resultar letal. El lugar debe estar bien ventilado.

Desplazamiento, manipulación y transporte

A menos que utilice la máquina para cavar, cualquier otra operación debe realizarse con el motor parado.

Excepto cuando la máquina se esté utilizando para cavar, deberá desplazarse con ayuda de la rueda de transporte tal como se describe en el capítulo "Desplazamiento".

Manipulación: no trate de levantar la máquina. El peso de la máquina figura en la placa de características al final de este manual. A la hora de manipular la máquina, utilice un método que se ajuste al peso de la máquina y a la situación para garantizar la seguridad.

Para cargar o descargar la máquina de un remolque, utilice una rampa adecuada. Amarre bien la máquina para garantizar la seguridad durante el transporte.

La máquina se debe transportar en un remolque; no utilice ningún otro método de transporte.

EN

BG

HR

CZ

DA

NL

ET

FI

FR

DE

GR

HU

IT

LV

LT

NO

PL

PT

RO

RU

SK

SL

ES

SE

TR

UK

DEFINICIÓN DE LOS PICTOGRAMAS



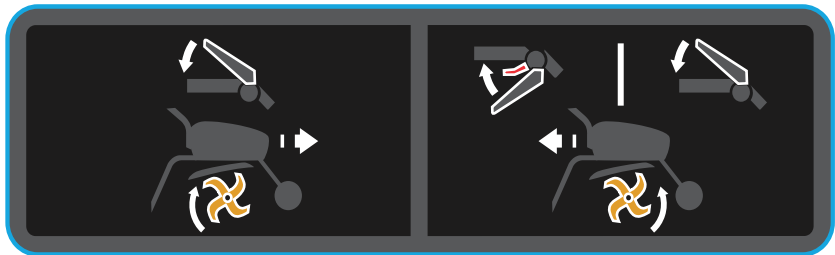
ADVERTENCIA
Peligro

ADVERTENCIA
Guarde una distancia de seguridad

ADVERTENCIA
Herramientas giratorias

ADVERTENCIA
Consulte el manual de instrucciones y retire la bujía antes de realizar cualquier intervención.

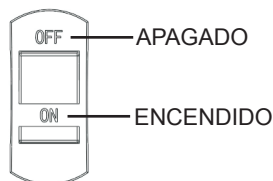
ADVERTENCIA
Lea el manual de instrucciones



ADELANTE

MARCHA ATRÁS

Botón de parada



APAGADO

ENCENDIDO



Nivel acústico garantizado



Utilice protectores auriculares.

INFORMACIÓN TÉCNICA

Modelo	MFT85 210R	Potencia nominal (CV (kW) a rpm)	4,8 (3,6) a 3100
Anchura de trabajo (mm)	780	Marchas	-1, 0, 1
Profundidad de trabajo (mm)	100-200	Aceite de la transmisión	Grasa
Tipo de motor	McCulloch 210 (WM170F-2/P)	Peso bruto (kg)	65,0
Carburante	Gasolina	Peso neto (kg)	60,0
Capacidad del depósito de combustible (l)	3,60	Tamaño del embalaje (mm)	780 x 500 x 660
Capacidad de aceite (l)	0,35	Certificación	CE, EAC
Cilindrada	212 cc	Nivel de presión acústica garantizado	2 dB(A)
Nivel de presión sonora	78 dB(A)	Incertidumbre de vibración	2 %
Nivel de potencia acústica	98 dB(A)	Valor de vibración en el manillar	Lado izquierdo: 7,2 mm/s ² Lado derecho: 7,4 mm/s ²
Incertidumbre de ruido	2 dB(A)		

DESEMBALAJE/MONTAJE

Nota: El fabricante aplica una estrategia de mejora constante de sus productos; debido a ello, establece que este manual no tiene carácter contractual y se reserva el derecho a modificar las especificaciones de sus máquinas sin previo aviso.

Desembalaje

1.1



ADVERTENCIA:

Preste atención para no cortar los cables ni arañar la pintura de la máquina al cortar los bordes de la caja.

Ref.	Contenido de la caja
A	Motor
B	Varilla de resistencia
C	Rueda delantera
D	Tubo de soporte
E	Cubierta del manillar
F	Mando
G	Cubierta
H	Cuchilla principal, derecha
I	Cuchilla principal, izquierda
J	Riel
K	Cubierta de las cuchillas
L	Bolsa de herramientas
M	Protector de plantas
N	Cuchilla secundaria 1, izquierda
O	Cuchilla secundaria 1, derecha
P	Cuchilla secundaria 2, izquierda
Q	Cuchilla secundaria 2, derecha



Montaje



ADVERTENCIA:

Si el montaje de esta motoazada no se efectúa correctamente, pueden producirse lesiones graves. Siga todas las instrucciones escrupulosamente.

1 Montaje de la cubierta de las cuchillas.

2 Montaje del primer grupo de cuchillas.

Asegúrese de que los bordes afilados estén orientados hacia el mismo lado.

3 Montaje de la varilla de resistencia.

4 Montaje de la rueda delantera.

5 Montaje del tubo de soporte.

6 Montaje del riel.

7 Montaje de la cubierta del manillar.

8 Montaje de la cubierta.

9 Montaje del segundo grupo de cuchillas (derecho).

10 Montaje del segundo grupo de cuchillas (izquierdo).

11 12 Montaje del tercer grupo de cuchillas (izquierdo y derecho).

13 14 Montaje del protector de plantas.



Advertencia:

Después de montar la máquina por completo, apriete todos los pernos y los tornillos con moderación: no los apriete en exceso.

Nota: Encomiende las labores de desmontaje siempre a un taller autorizado.



Descripción de los componentes

- 1 - Motor
- 2 - Palanca de embrague
- 3 - Cubierta del manillar
- 4 - Interruptor de encendido/apagado
- 5 - Protector de plantas
- 6 - Acelerador
- 7 - Manillar
- 8 - Palanca de cambio
- 9 - Cuchilla
- 10 - Varilla de resistencia
- 11 - Rueda delantera



Placa de identificación de la máquina



Rueda de transporte

A = Posición de trabajo.
B = Posición de transporte.

ARRANQUE DE LA MÁQUINA



2.1 Agregue aceite de motor y revise el nivel



2.2 Agregue gasolina



2.3 Agregue aceite en la posición indicada



2.4 Abra el interruptor de gasolina



2.5 Ponga el estrangulador en la posición A



2.6 Control del acelerador

Ponga la palanca en: **H**



2.7 Coloque el interruptor de encendido/apagado en la posición de encendido



2.8 Tire del asa del cordón de arranque



2.9 Ponga el estrangulador en la posición B



Advertencia:

Cuando la máquina arranque, permanezca dentro de la zona de seguridad.

EN

BG

HR

CZ

DA

NL

ET

FI

FR

DE

GR

HU

IT

LV

LT

NO

PL

PT

RO

RU

SK

SL

ES

SE

TR

UK

USO



Adelante

3.1

1. Deje el embrague de marcha atrás tal cual.
- 2-A. Desbloquee la palanca de embrague.
- 2-B. Accione la palanca de embrague.



Habilite una zona de seguridad con un radio de 20 m alrededor de la máquina.



Marcha atrás

3.2

- 1-A. Accione el interruptor rojo de marcha atrás
- 1-B. Accione la palanca de marcha atrás
- 2-A. Desbloquee la palanca de embrague.
- 2-B. Accione la palanca de embrague.



Habilite una zona de seguridad con un radio de 20 m alrededor de la máquina.



El uso de la marcha atrás es peligroso. Asegúrese de que no hay obstáculos detrás de usted y disminuya el régimen del motor antes de acoplar el embrague.

PARADA



Parada de la herramientas giratorias

4.1

Suelte la palanca de embrague.



Desaceleración

4.2

Coloque el acelerador en:



Parada del motor

4.3

Coloque el interruptor de encendido/apagado en la posición de apagado.



Ponga el estrangulador en la posición A

4.4



Cierre de la llave de combustible

4.5

TABLA DE MANTENIMIENTO

Comprobación diaria

Antes de arrancar el motor, compruebe los siguientes puntos.

- Los pernos o las tuercas no deben estar flojos ni rotos.



4.5

- Limpieza del elemento del filtro de aire



No utilice disolventes inflamables para limpiar el elemento de espuma del filtro de aire.



2.1

- Comprobación del nivel de aceite lubricante

- No debe haber fugas de gasolina ni de aceite lubricante.



2.2

- Debe haber suficiente gasolina

- Mantenga la máquina limpia.

- Protección medioambiental.

- No hay vibraciones anormales ni ruido excesivo.

Después de las primeras 20 horas o una vez al mes

- Cambie el aceite lubricante del motor y de la caja de cambios.

Cada 50 horas o cada 3 meses

- Limpie el filtro de aire* (2 en la figura 4.5).

Cada 100 horas o cada 6 meses

- Limpie el filtro.
- Cambie el aceite lubricante del motor y de la caja de cambios.
- Limpie la bujía.
- Limpie el protector de la bujía.

Cada 300 horas o una vez al año

- Sustituya el filtro de aire*.
- Compruebe el juego de la válvula**.
- Cambie la bujía.
- Limpie el filtro de combustible**.
- Limpie la cámara de combustión**.
- Ajuste el ralentí**.
- Compruebe el circuito de combustible**.

* Limpie con más frecuencia si la máquina se utiliza en entornos polvorientos con partículas en suspensión.

** No se trata de una operación esencial a menos que haya problemas de rendimiento (debe encomendarse a un taller autorizado).

TABLA DE MANTENIMIENTO



Transporte y desplazamiento



Pare el motor.

A Coloque la rueda en posición de desplazamiento.

B Ajuste el manillar en la posición baja para mover la máquina con más facilidad.

C Levante las fresas del suelo con el manillar y, a continuación, avance hacia delante.

EN

BG

HR

CZ

DA

NL

ET

FI

FR

DE

GR

HU

IT

LV

LT

NO

PL

PT

RO

RU

SK

SL

ES

SE

TR

UK

- EN
- BG
- HR
- CZ
- DA
- NL
- ET
- FI
- FR
- DE
- GR
- HU
- IT
- LV
- LT
- NO
- PL
- PT
- RO
- RU
- SK
- SL
- ES**
- SE
- TR
- UK



DECLARACIÓN CE DE CONFORMIDAD



Para la siguiente maquinaria

Nombre de producto: Motoazada
Nombre comercial: N/A
Función: Motoazada (sin ruedas motrices)
Tipo: Gasolina
N.º de modelo: MFT85 210R
N.º de serie: 16H190570

Por la presente se confirma que cumple todas las disposiciones pertinentes de la

Directiva relativa a las máquinas (2006/42/CE)

y que cumple con las normas armonizadas indicadas a continuación:

EN 709: 1997 + A4: 2009
EN 709: 1997 + A4/AC:2012

Por la presente se confirma que cumple todas las disposiciones pertinentes de la

Directiva sobre compatibilidad electromagnética (2014/30/UE)

y que cumple con las normas armonizadas indicadas a continuación:

EN ISO 14982: 2009

Responsable de esta declaración:

Nombre del fabricante : Husqvarna AB
Dirección del fabricante : SE561 82 HUSKVARNA SUECIA

Persona responsable de compilar las fichas técnicas establecidas en la UE

Nombre, apellidos : Husqvarna AB
Dirección : SE561 82 HUSKVARNA SUECIA

Persona responsable de esta declaración:

Nombre, apellidos : John Thompson
Cargo/título : Director de marketing y productos, división de consumo para EUAP
Lugar : Husqvarna UK Ltd, Preston Road
Aycliffe Industrial Park. Newton Aycliffe
Co.Durham,DL5 6UP
Fecha : 15 de noviembre de 2016

(Sello de la empresa y firma legal)

SÄKERHETSREGLER

Var särskilt uppmärksam på avsnitt som markeras enligt följande:



FARA: Det här anger stor sannolikhet för allvarliga eller till och med livshotande skador om instruktionen inte följs.

WARNING: Det här anger risk för personskada eller skada på utrustningen om anvisningarna inte följs.

OBS! Det här betecknar användbar information.



Symbolen påminner dig att vara försiktig med vissa åtgärder.

Om du har problem eller frågor om jordfräsen kontaktar du en godkänd leverantör.



FARA: Maskinen är utformad för säker och tillförlitlig drift om den används enligt instruktionerna. Innan du använder maskinen ska du se till att du har förstått innehållet i den här bruksanvisningen. I annat fall kan du eller utrustningen skadas.

Utbildning/Information

Bekanta dig med korrekt användning och reglerna innan maskinen används. Ha kunskap om hur motorn stängs av snabbt.

Maskinen måste alltid användas enligt rekommendationerna i bruksanvisningen.

Tänk på att användaren är ansvarig för olyckor eller farliga reaktioner som uppstår för andra personer eller deras tillhörigheter. Det är användarens ansvar att bedöma de potentiella riskerna hos marken som ska bearbetas och att vidta alla nödvändiga försiktighetsåtgärder för att säkerställa att arbetet kan utföras på ett säkert sätt, i synnerhet i sluttningar och på lös, hal eller ojämn mark.

Låt aldrig barn eller personer som inte känner till dessa instruktioner använda maskinen. Lagstiftning som anger lägsta ålder för användare kan förekomma.

Arbeta aldrig när det finns personer, framför allt barn, eller djur inom en radie av 20 meter från maskinen. Föraren måste alltid stanna kvar vid handtagsreglagen.

Använd inte maskinen om du har tagit medicin eller andra ämnen som kan försämra reaktionsförmågan eller göra dig trött.

Var särskilt uppmärksam på hårda underlag, eftersom maskinen har en tendens att vara mycket mindre stabil än på odlad mark.

Använd alltid kraftiga, halksäkra skyddsskor och åtsittande långbyxor när du arbetar. Använd inte maskinen när du är barfota och använd inte sandaler. Hörselskydd rekommenderas.

Använd maskinen till det den är avsedd för - markbearbetning. Annan användning kan vara farlig eller orsaka skador på maskinen.

Förberedelser

Kontrollera noggrant området där maskinen ska användas och ta bort eventuella föremål som kan slungas iväg av maskinen (stenar, kablar, glas, metallföremål ...).

Före användning ska alltid maskinen kontrolleras för att se till att verktygen inte är slitna eller skadade. Byt ut slitna eller skadade delar.

Håll elkablarna som stoppar motorn i gott skick så att du kan vara säker på att motorn går att stänga av.

Kontrollera att det inte läcker bensin eller olja.

Använd inte maskinen utan dess skyddshöljen och se till att alla kopplingar är täta.

Användning

Transportera aldrig personer på maskinen.

Var försiktig när du startar motorn, följ tillverkarens instruktioner och håll fötterna på avstånd från bladet/bladen.

Stäng av motorn när maskinen inte används.

När du håller i maskinen ska du gå, inte springa.

Var mycket försiktig när du drar maskinen mot dig eller vänder rotationsriktningen (om så önskas).

Håll ett säkert avstånd till roterande blad, vilket är beroende av styrtängens längd.

Placera inte händer eller fötter nära eller under roterande delar.

Om det förekommer:

- onormal vibration
- blockering
- problem med in- eller urkoppling av kopplingen
- kollision med främmande föremål
- försämring av motorns stoppkabel.

Stäng omedelbart av motorn (om motorns stoppkabel har gått av används startreglaget enligt beskrivning i stycket "starta motorn" för att stänga av motorn), låt maskinen svalna, dra ur tändstiftsledningen, kontrollera maskinen och låt en godkänd reparatör utföra nödvändiga reparationer innan maskinen används igen.

Arbeta endast i dagsljus eller i god belysning.

Använd inte maskinen på sluttningar som överstiger 20°.

Arbeta tvärs över sluttningar och inte uppåt eller nedåt i dem.

Se till att stå stabilt på sluttande mark och ändra riktning mycket försiktigt.

Användning av andra tillbehör än de rekommenderade kan leda till att maskinen blir farlig och kan skada maskinen, vilket inte omfattas av garantin.

Underhåll/förvaring

Stäng av motorn och koppla bort tändstiftet innan rengöring, inspektion, justering eller underhåll av maskinen utförs eller före byte av verktyg.

Stäng av motorn, koppla bort tändstiftet och använd tjocka handskar vid verktygsbyte.

Se till att alla muttrar och skruvar är åtdragna för att garantera villkor för säker användning.

Minska brandrisken genom att hålla motorn, ljuddämparen och området för bränsleförvaring fria från växter, spillolja eller andra brännbara material.

Om ljuddämparen är defekt ska en godkänd reparatör byta ut den.

Laga inte delar utan byt ut dem mot tillverkarens egna reservdelar.

Byt blad som kompletta satser för att hålla dem balanserade.

För din egen säkerhet ska du inte ändra maskinens egenskaper. Ändra inte motorns varvtalsinställningar och kör inte motorn med för högt varvtal. Regelbundet underhåll är avgörande för säkerheten och för att upprätthålla prestandanivån.

Låt motorn svalna innan maskinen ställs undan.

Fara! Bensin är mycket brandfarlig!

Förvara bränsle i behållare som är speciellt utformade för ändamålet. Fyll alltid tanken utomhus och rök inte medan du gör det.

Skruva inte loss tanklocket eller fyll på bensin medan motorn är igång eller fortfarande är varm.

Om bensin spills på marken ska du inte starta motorn. Ta med maskinen till en annan plats och undvik öppen eld tills bränsleångorna har avdunstat.

Förvara maskinen på en torr plats. Förvara aldrig maskinen i en byggnad där bränsleångorna kan nå öppen eld, gnistor eller starka värmekällor.

Sätt tillbaka locken på bränsletanken och bensinduken ordentligt.

Begränsa bensinmängden i tanken för att minska spill.

Kör inte motorn i ett slutet utrymme där kolmonoxidångor kan samlas.

Kolmonoxid kan vara dödlig. Se till att ventilationen är god.

Förflyttning, hantering, transport

Alla maskinåtgärder utom markbearbetning måste utföras med avstängd motor.

Utom vid markbearbetning måste maskinen flyttas med hjälp av transporthjulet enligt beskrivning i kapitlet "Förflyttning".

Hantering: försök inte lyfta maskinen. Maskinens vikt anges på tillverkarskylten i slutet av den här handboken. Använd en hanteringsmetod som är anpassad till maskinens vikt och till situationen i syfte att garantera säkerheten.

När maskinen lastas på eller lastas av från en släpvagn ska en lämplig ramp användas. Surra maskinen ordentligt för säker transport.

Maskinen bör transporteras på en släpvagn. Använd inga andra transportsätt.

EN

BG

HR

CZ

DA

NL

ET

FI

FR

DE

GR

HU

IT

LV

LT

NO

PL

PT

RO

RU

SK

SL

ES

SE

TR

UK

DEFINITION AV SYMBOLER



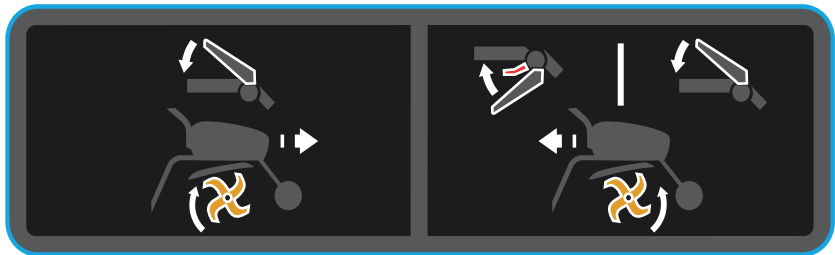
VARNING
Fara

VARNING
Håll ett säkert avstånd

VARNING
Roterande verktyg

VARNING
Läs bruksanvisningen och ta bort tändstiftet innan arbete påbörjas.

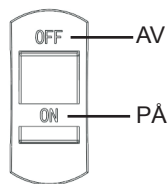
VARNING
Läs bruksanvisningen



FRAMÅT

BAKÅT

Stoppkontakt



Garanterad ljudeffektnivå



Hörselskydd måste användas.

TEKNISK INFORMATION

Modell	MFT85 210R	Maximal effekt hk (kW) vid v/min	4,8 (3,6) vid 3 100
Markbearbetningsbredd (mm)	780	Växlar	-1, 0, 1
Markbearbetningsdjup (mm)	100-200	Transmissionsolja	Fett
Motortyp	McCulloch 210 (WM170F-2/P)	Bruttovikt (kg)	65,0
Bränsle	Bensin	Nettovikt (kg)	60,0
Bränsletankens volym (l)	3,60	Förpackningsstorlek (mm)	780X500x660
Oljevolym (l)	0,35	Certifiering	CE, EAC
Cylindervolym	212 cc	Garanterad akustisk trycknivå	2 dB(A)
Ljudtrycksnivå	78 dB(A)	Osäkerhet, vibration	2%
Ljudeffektsnivå	98 dB(A)	Handtagets vibrationsvärde	Vänster handtag: 7.2mm/s ² Höger handtag: 7.4mm/s ²
Ljudosäkerhet	2 dB(A)		

UPPACKNING/MONTERING

Obs! I syfte att ständigt förbättra produkterna uppger tillverkaren att hela den här handboken inte omfattas av avtalet och förbehåller sig rätten att ändra specifikationerna för maskinerna utan föregående meddelande.

Uppackning

VARNING:
Var försiktig så att du inte skadar kablar eller repar maskinens lackerade ytor när du skär upp förpackningen.

Ref.	Förpackningens innehåll
A	Motordel
B	Mothållsstång
C	Framhjul
D	Stativrör
E	Handtagsskydd
F	Vred
G	Utfyllnadskåpa
H	Huvudblad, höger
I	Huvudblad, vänster
J	Skena
K	Fräsbladskåpa
L	Verktygspåse
M	Växtskydd
N	Nedre blad-1, vänster
O	Nedre blad-1, höger
P	Nedre blad-2, vänster
Q	Nedre blad-2, höger

Montering

VARNING:
Felaktig montering av den här jordfräsen kan orsaka svåra personskador. Se till att du följer alla anvisningar noggrant.

1 Montering av fräsbladskåpan.

2 Montering av den första fräsbladsggruppen.

Se till att de vassa kanterna är vända åt samma sida.

3 Montering av mothållsstäng.

4 Montering av framhjulet.

5 Montering av stativröret.

6 Montering av skenan.

7 Montering av handtagsskyddet.

8 Montering av utfyllnadskåpan.

9 Montering av andra bladgruppen - höger.

10 Montering av andra bladgruppen - vänster.

11 12 Montering av tredje bladgruppen - vänster och höger.

13 14 Montering av växtskyddet.

Varning:
Efter fullständig montering av maskinen ska alla bultar och skruvar dras åt måttligt: dra inte åt för mycket.

Obs! Eventuella demonteringsåtgärder ska endast utföras av en Husqvarna-verkstad.

Beskrivning av komponenterna

- 1 -Motor
- 2 -Kopplingshandtag
- 3 -Handtagsskydd
- 4 -Omkopplare på/av
- 5 -Växtskydd
- 6 -Gasreglage
- 7 -Handtagssats
- 8 -Spakmanövrering
- 9 -Blad
- 10 -Mothållsstång
- 11 -Framhjul

Maskinens identifieringsplåt

Transporthjul

A = arbetsläge.
B = transportläge.

STARTA MASKINEN

2.1 Fylla på motorolja och kontrollera nivån

2.2 Påfyllning av bensin

2.3 Spruta in olja i det identifierade läget

2.4 Öppna bensinkranen

2.5 Ställ choken i läge A

2.6 Gasreglage
Ställ spaken i: **H**

2.7 Ställ på/av-omkopplare i läget "på"

2.8 Dra i starthandtaget

2.9 Ställ choken i läge B

Varning:
När maskinen startar ska du stanna kvar inom säkerhetszonen.

EN

BG

HR

CZ

DA

NL

ET

FI

FR

DE

GR

HU

IT

LV

LT

NO

PL

PT

RO

RU

SK

SL

ES

SE

TR

UK

ANVÄNDNING



3.1

Framåt

1. Lämna backkopplingen som den är.
- 2-A. Lås upp kopplingshandtaget.
- 2-B. Tryck in kopplingshandtaget



Bibehåll en säkerhetszon på 20 m i radie runt maskinen.



3.2

Bakåt

- 1-A. Slå över den röda backomkopplaren
- 1-B. Tryck ihop backhandtaget
- 2-A. Lås upp kopplingshandtaget
- 2-B. Tryck in kopplingshandtaget



Bibehåll en säkerhetszon på 20 m i radie runt maskinen.



Det är farligt att backa med maskinen. Se till att det inte finns några hinder bakom dig och minska motorvarvtalet innan kopplingen aktiveras.

STOPPA



4.1

Stoppa roterande verktyg

Lossa kopplingsspaken.



4.3

Stoppa motorn

Ställ på/av-omkopplaren på AV.



4.5

Stäng bränslekranen



4.2

Minska gasen

Ställ gasreglaget på:



4.4

Ställ choken i läge A

UNDERHÅLLSTABELL

Daglig kontroll

Innan motorn startas kontrollerar du följande punkter.

- Det får inte finnas lösa eller trasiga muttrar eller skruvar.



4.5

Renlighet hos luftfilterelement



Använd inte brandfarliga lösningsmedel för att rengöra luftfilterinsatsen (skum).



2.1

Kontrollera smörjoljenivån

- Inget bensin- eller smörjoljeläckage.



2.2

Tillräcklig bensinmängd

- Håll maskinen ren.

- Miljöskydd.

- Inga onormala vibrationer eller för hög ljudnivå.

Efter de första 20 timmarna eller varje månad

- Byt smörjolja i motorn och växellådan.

Var 50:e timme eller var tredje månad

- Rengör luftfiltret* (2, bild 4.5).

Var 100:e timme eller var sjätte månad

- Rengör filtret.
- Byt smörjolja i motorn och växellådan.
- Rengör tändstiftet.
- Rengör tändstiftsskyddet.

Var 300:e timme eller en gång per år

- Byt luftfilter*.
- Kontrollera spelet i ventilen**.
- Byt ut tändstiftet.
- Rengör bränslefiltret**.
- Rengör förbränningskammaren**.
- Ställ in tomgången**.
- Kontrollera bränslekretsen**.

* Rengör oftare i användningsförhållanden där luften är dammig eller innehåller luftburna föroreningar.

** Inte viktigt utom om det förekommer prestandaproblem (ska utföras av en godkänd verkstad).

EN

BG

HR

CZ

DA

NL

ET

FI

FR

DE

GR

HU

IT

LV

LT

NO

PL

PT

RO

RU

SK

SL

ES

SE

TR

UK



Förflyttning



Stoppa motorn.

A Ställ ratten i rörelseläge.

B Ställ styret i lågt läge för att underlätta förflyttning av maskinen.

C Lyft bladen från marken med hjälp av styret och förflytta dig sedan framåt.

EN

BG

HR

CZ

DA

NL

ET

FI

FR

DE

GR

HU

IT

LV

LT

NO

PL

PT

RO

RU

SK

SL

ES

SE

TR

UK

- EN
- BG
- HR
- CZ
- DA
- NL
- ET
- FI
- FR
- DE
- GR
- HU
- IT
- LV
- LT
- NO
- PL
- PT
- RO
- RU
- SK
- SL
- ES
- SE**
- TR
- UK

CE EG-FÖRSÄKRAN OM ÖVERENSSTÄMMELSE CE

För följande maskiner

Produktnamn: Jordfräs
Kommersiellt namn: Ej tillämpligt
Funktion: Jordfräs (utan drivna hjul)
Typ: Bensin
Modellnr: MFT85 210R
Serienr: 16H190570

Bekräftas härmed uppfylla alla tillämpliga bestämmelser i

maskindirektivet (2006/42/EG)

och följande harmoniserade standard har uppfyllts

EN 709: 1997 + A4: 2009
EN 709: 1997 + A4/AC:2012

bekräftas härmed uppfylla alla relevanta krav i

direktivet om elektromagnetisk kompatibilitet (2014/30/EU)

och följande harmoniserade standarden har uppfyllts:

EN ISO 14982: 2009

Ansvarig för den här deklarationen är

Tillverkarens namn : Husqvarna AB
Tillverkarens adress : SE 561 82 HUSKVARNA SVERIGE

Den person som är ansvarig för att sammanställa den tekniska beskrivningen som har fastställts inom EU

Namn, efternamn : Husqvarna AB
Adress : SE 561 82 HUSKVARNA SVERIGE

Person som ansvarar för den här deklarationen

Namn, efternamn : John Thompson
Befattning : Produkt & Marketing Director, Consumer Division EUAP
Plats : Husqvarna UK Ltd, Preston Road
Aycliffe Industrial Park. Newton Aycliffe
Co.Durham,DL5 6UP
Datum : 15 november 2016



(Företagsstämpel och underskrift av firmatecknare)

TEMEL GÜVENLİK ÖNLEMLERİ

Aşağıdaki gibi işaretlenmiş bölümlere özellikle dikkat edin:



TEHLİKE: Bu, talimatlara uyulmaması halinde ciddi veya hatta ölümcül yaralanma olasılığının yüksek olduğunu gösterir.

UYARI: Bu, talimatlara uyulmaması halinde yaralanma veya ekipmanın hasar görmesi riskinin bulunduğunu gösterir.

NOT: Bu, faydalı bilgileri gösterir.



Bu sembol size bazı işlemlere dikkat etmenizi hatırlatır.

Çapalayıcıyla ilgili herhangi bir sorun veya sorunuz varsa lütfen onaylı tedarikçinizle iletişime geçin.



TEHLİKE: Makine, belirtilen şekilde kullanıldığı takdirde güvenli ve güvenilir hizmet sunacak şekilde tasarlanmıştır. Makinenizi kullanmadan önce lütfen bu kılavuzun içeriğini anladığınızdan emin olun. Aksi takdirde yaralanabilirsiniz ve ekipmanınız hasar görebilir.

Eğitim/Bilgiler

Bu makineyi kullanmadan önce doğru kullanımı ve kontrolleri öğrenin. Motoru hızlı bir şekilde durdurmayı öğrenin.

Makine her zaman, talimat kılavuzunda verilen önerilere göre kullanılmalıdır.

Kazalardan ya da başka kişilere veya başka kişilerin eşyalarına yönelik tehlikeli tepkilerden kullanıcının sorumlu olduğunu unutmayın. Başta eğimli ve gevşek, kaygan ya da engebeli yüzeyler olmak üzere yüzeydeki yabancı maddelere ilişkin olası riskleri değerlendirmek ve çalışmanın güvenli olduğundan emin olmak için gereken tüm önlemleri almak kullanıcının sorumluluğudur.

Çocukların veya bu kullanma talimatlarını bilmeyen kişilerin makineyi kullanmasına hiçbir zaman izin vermeyin. Kullanıcılar için minimum yaş sınırlaması belirten yerel yasalar olabilir.

Makinenin 20 metre çapında insanlar, özellikle de çocuklar veya hayvanlar varsa kesinlikle çalışmayın. Operatör, kolların kontrolünü kesinlikle bırakmamalıdır.

Tepkilerinizi yavaşlatabilecek veya uykunuzu getiren herhangi bir ilaç veya başka bir madde kullanıyorsanız makineyi kullanmayın.

Makine, işlenmiş zeminde denge sorunu yaşama eğilimi gösterdiğinden, sert zeminde çalışırken özellikle dikkatli olun.

Çalışırken daima sağlam, kaymayan ayakkabılar ve dar, uzun pantolonlar giyin. Makineyi çıplak ayakla veya sandaletle kullanmayın. Koruyucu kulaklık takılması önerilir.

Makineyi tasarım amacı doğrultusunda, yani zemini kazmak için kullanın. Diğer kullanımlar tehlikeli olabilir veya makineye hasar verebilir.

Hazırlık

Makinenin kullanılacağı alanı dikkatlice inceleyin ve makine tarafından fırlatılabilecek tüm nesnelere (taş, kablo, cam, metal nesnelere vb.) kaldırın.

Kullanmadan önce araçların yıpranmadığından veya hasar görmediğinden emin olmak için makineyi daima kontrol edin. Aşınmış veya hasarlı parçaları değiştirin.

Motoru kapatabilmeniz için motoru durduran elektrik kablolarını iyi durumda olmasını sağlayın.

Benzin veya yağ sızıntısı bulunmadığından emin olun.

Makineyi, koruyucu parçaları olmadan ve tüm tespit elemanlarının sıkı olduğundan emin olmadan kullanmayın.

Kullanım

Makinede hiçbir zaman insan taşımayın.

Motoru çalıştırırken dikkat edin, üreticinin talimatlarına uyarak ayağınızı bıçaktan/bıçaklardan uzak tutun.

Makine kullanmadığınızda motoru durdurun.

Makineyi tutarken koşmayın, yürüyün.

Makineyi kendinize doğru çekerken veya (isterseniz) dönme yönünü ters çevirirken çok dikkatli olun.

Dönen bıçaklarla aranızda, direksiyon milinin uzunluğuna göre belirlenen güvenli bir mesafe olmasını sağlayın.

Ellerinizi veya ayaklarınızı döner parçaların yakınına veya altına koymayın.

Şu durumlardan biri varsa:

- anormal titreşim,
- tıkanma,
- kavramayı etkinleştirmede veya devre dışı bırakmada sorun,
- yabancı bir nesneyle çarpışma,
- motor durdurma kablosunun bozulması.

Motoru derhal durdurun (Motor durdurma kablosu kopmuşsa Motoru durdurmak için "motoru çalıştırın" paragrafında açıklanan şekilde marş kontrolünü kullanın), makineyi tekrar kullanmadan önce makinenin soğumasını bekleyin, buji kablosunu çıkarın, makineyi inceleyin ve gereken onarımların onaylı bir tamirci tarafından yapılmasını sağlayın.

Yalnızca gün ışığında veya güçlü bir suni aydınlatma olduğunda çalışın.

Makineyi 20°den fazla eğimde kullanmayın.

Eğimlerde yukarı veya aşağı doğru değil yatay olarak çalışın.

Eğimli yüzeylerde yere sağlam bastığınızdan emin olun, yönünüzü çok dikkatli bir şekilde değiştirin.

Önerilenler dışındaki aksesuarların kullanılması, makinenin tehlikeli olmasına ve makinenizin garantinize dahil olmayacak şekilde hasar görmesine neden olabilir.

Bakım/saklama

Makinenin temizlik, muayene, ayarlama veya bakım işlerini yapmadan ya da araç/araçları değiştirmeden önce motoru durdurun ve bujiyi çıkarın.

Araç/araçları değiştirirken motoru durdurun, bujiyi çıkarın ve kalın eldivenler kullanın.

Güvenli kullanım koşullarını sağlamak için tüm somunların ve civataların sıkı olmasını sağlayın.

Yangın riskini azaltmak için motor, susturucu ve yakıt depolama alanında bitki, atık yağ veya diğer yanıcı malzemeler bulundurmayın.

Egzoz susturucu arızalıysa onaylı bir tamirci tarafından değiştirilmesini sağlayın.

Parçaları tamir etmeyin, üreticinin yedek parçalarıyla değiştirin.

Dengeyi korumak için kesim bıçaklarını eksiksiz set olarak değiştirin.

Kendi güvenliğinizi için makinenizin özelliklerini değiştirmeyin. Motor devri ayarlarını değiştirmeyin ve motoru aşırı devirlerde çalıştırmayın. Güvenlik ve performans düzeyini korumak için düzenli bakım çok önemlidir.

Makineyi kaldırmadan önce soğumasını bekleyin.

Tehlike! Benzin kolayca tutuşabilen bir maddedir!

Yakıtı, bunun için özel olarak tasarlanan kaplarda saklayın. Depoyu her zaman dışarıda doldurun ve bu işlem sırasında sigara içmeyin.

Motor çalışırken veya hala sıcakken depo kapağını sökmeyin ya da benzin doldurmayın.

Benzin zemine dökülürse motoru çalıştırmayı denemeyin. Makineyi başka bir yere taşıyın ve benzin buharı dağılına kadar tüm çıplak alevlerden uzak durun.

Makineyi kuru bir yerde saklayın. Makineyi hiçbir zaman benzin buharının bir aleve, kıvılcıma veya yoğun ısı kaynağına ulaşabileceği bir binada saklamayın.

Yakıt tankı kapaklarını ve benzin bidonunu doğru şekilde değiştirin.

Dökülmeyi azaltmak için depodaki benzin miktarını sınırlayın.

Motoru karbon monoksit buharının birikebileceği kapalı alanlarda çalıştırmayın.

Karbon monoksit ölümcül olabilir. İyi havalandırmanın sağlandığından emin olun.

Taşıma, nakliye

Zemin kazma işlemi dışında makinede yapılan herhangi bir işlem, motor durdurularak gerçekleştirilmelidir.

Zemin kazma işlemi dışında makinenin, "Taşıma" bölümünde açıklanan şekilde taşıma tekerleği kullanılarak taşınması gerekir.

Taşıma: Makineyi kaldırmaya çalışmayın. Makinenin ağırlığı, bu kılavuzun sonundaki üretici plakasında belirtilmiştir. Güvenliği garanti etmek için makinenin ağırlığına ve durumuna uygun bir taşıma yöntemi kullanın.

Makineyi bir römorka yüklerken veya römorktan indirirken uygun bir rampa kullanın. Güvenli taşıma için makineyi doğru şekilde sabitleyin.

Makine bir römork içinde taşınmalıdır; başka bir taşıma yöntemi kullanmayın.

EN

BG

HR

CZ

DA

NL

ET

FI

FR

DE

GR

HU

IT

LV

LT

NO

PL

PT

RO

RU

SK

SL

ES

SE

TR

UK

EN

BG

HR

CZ

DA

NL

ET

FI

FR

DE

GR

HU

IT

LV

LT

NO

PL

PT

RO

RU

SK

SL

ES

SE

TR

UK

PİKTOGRAM AÇIKLAMALARI



UYARI
Tehlike



UYARI
Güvenli mesafeyi koruyun



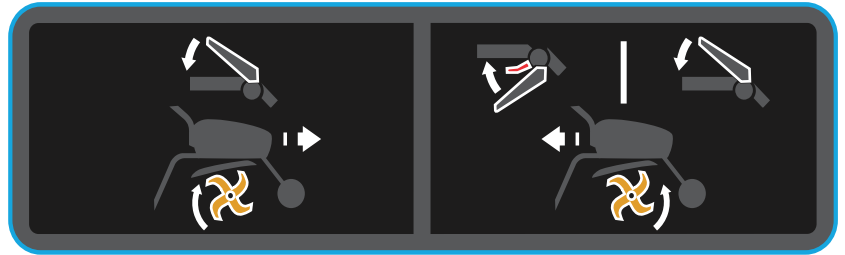
UYARI
Dönen araçlar



UYARI
Herhangi bir iş yapmadan önce Kullanım Kılavuzu'na başvurun ve bujiyi çıkarın.



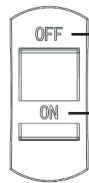
UYARI
Kullanım Kılavuzu'nu okuyun



İLERİ

GERİ

Durdurma anahtarı



KAPALI

AÇIK



Garantili ses gücü seviyesi



Koruyucu kulaklık kullanılmalıdır.

TEKNİK BİLGİLER

Model	MFT85 210R	Dev/dak.da maks. güç hp (kW)	3100'de 4,8 (3,6)
Çapalama genişliği (mm)	780	Vitesler	-1,0,1
Çapalama derinliği (mm)	100-200	Transmisyon yağı	Gres
Motor tipi	McCulloch 210 (WM170F-2/P)	Brüt ağırlık (kg)	65,0
Yakıt	Benzin	Net ağırlık (kg)	60,0
Yakıt deposu kapasitesi (L)	3,60	Paket boyutu (mm)	780x500x660
Yağ kapasitesi (L)	0,35	Sertifika	CE, EAC
Hacim	212 cc	Garanti edilen akustik basınç seviyesi	2 dB(A)
Ses basıncı seviyesi	78 dB(A)	Titreşim belirsizliği	%2
Ses gücü seviyesi	98 dB(A)	Kol titreşim değeri	Sol kol: 7.2 mm/s ² Sağ kol: 7.4 mm/s ²
Gürültü belirsizliği	2 dB(A)		

AMBALAJI AÇMA/MONTE ETME

Not: Üretici, ürünlerini sürekli geliştirme isteğiyle bu kılavuzun tümünün sözleşmeyle sabit olmadığını ve makinelerinin teknik özelliklerini önceden bildirimde bulunmaksızın değiştirme hakkını saklı tuttuğunu belirtir.



Ambalajı Açma



UYARI:
Kutunun kenarlarını keserken kabloları kesmemeye veya makinenin boyasını çizmemeye dikkat edin.

Ref.	Kutu içerikleri
A	Motor parçası
B	Direnç çubuğu
C	Ön Tekerlek
D	Piyezometre
E	Tırabzan kapağı
F	Düğme
G	Toplama kapağı
H	Ana çatal dişi, Sağ
I	Ana çatal dişi, Sol
J	Ray
K	Çatal dişi kapağı
L	Araç Cebi
M	Bitki siperliği
N	Alt çatal dişi 1, Sol
O	Alt çatal dişi 1, Sağ
P	Alt çatal dişi 2, Sol
Q	Alt çatal dişi 2, Sağ



Monte Etme



UYARI:
Bu döner çapa makinesinin uygun olmayan şekilde monte edilmesi ciddi yaralanmalara neden olabilir. Tüm talimatları dikkatli bir şekilde uyguladığınızdan emin olun.

- 1 Çatal dişi kapağının takılması.
- 2 Birinci çatal dişi grubunun takılması.
Keskin dişlerin tek bir tarafa baktığından emin olun.
- 3 Direnç çubuğunun takılması.
- 4 Ön tekerleğin takılması.
- 5 Piyezometrenin takılması.
- 6 Rayın takılması.
- 7 Tırabzan kapağının takılması.
- 8 Toplama kapağının takılması.
- 9 İkinci çatal dişi grubunun (sağ) takılması.
- 10 İkinci çatal dişi grubunun (sol) takılması.
- 11 12 Üçüncü çatal dişi grubunun (sol ve sağ) takılması.
- 13 14 Bitki siperliğinin takılması.



Uyarı:
Makineyi tamamen monte ettikten sonra tüm civataları ve vidaları yavaşça sıkın, aşırı sıkmayın.

Not: Tüm sökme işlemleri onaylı bir atölye tarafından gerçekleştirilmelidir.



Bileşen açıklamaları

- 1 -Motor
- 2 -Kavrama kolu
- 3 -Tırabzan kapağı
- 4 -AÇMA/KAPAMA anahtarı
- 5 -Bitki siperliği
- 6 -Gaz kontrolü
- 7 -Kol seti
- 8 -Vites değiştirme kolu
- 9 -Çatal dişi
- 10 -Direnç çubuğu
- 11 -Ön tekerlek



Makine kimlik plakası



Taşıma tekerleği

A = Çalışma konumu.
B = Nakliye konumu.

MAKİNEYİ BAŞLATMA



Motor yağı doldurma ve seviyeyi kontrol etme



Benzin doldurma



Tanımlanan konuma yağ enjekte etme



Benzin anahtarını açma



Jikleyi A konumuna ayarlayın



Gaz kontrolü

Kolu şu konuma getirin: H



Açma/kapama anahtarını "açık" konuma ayarlayın



Kendinden geri dönen marş kolunu çekin



Jikleyi B konumuna ayarlayın



Uyarı:
Makine başlatıldığında güvenlik bölgesinde kalın.

EN

BG

HR

CZ

DA

NL

ET

FI

FR

DE

GR

HU

IT

LV

LT

NO

PL

PT

RO

RU

SK

SL

ES

SE

TR

UK

KULLANIM



İleri

3.1

1. Geri vites kavramasını olduğu gibi bırakın.
- 2-A. Kavrama kolunun kilidini açın.
- 2-B. Kavrama kolunu indirin



Makinenin çevresinde 20 m çapında bir güvenlik bölgesini koruyun.



Geri

3.2

- 1-A. Kırmızı geri vites anahtarını etkinleştirin
- 1-B. Geri vites kolunu sıkın
- 2-A. Kavrama kolunun kilidini açın.
- 2-B. Kavrama kolunu indirin



Makinenin çevresinde 20 m çapında bir güvenlik bölgesini koruyun.



Geri vitesin kullanılması tehlikelidir. Kavramayı etkinleştirmeden önce arkanızda herhangi bir engel olmadığından emin olun ve motor devrini düşürün.

DURDURMA



Dönen araçları durdurma

4.1

Kavrama kolunu serbest bırakın.



Gazı azaltın

4.2

Gaz kontrolünü şu şekilde ayarlayın: L



Motoru durdurma

4.3

Açma/kapama anahtarını KAPALI konuma getirin.



Jikleyi A konumuna ayarlayın

4.4



Yakıt musluğunu kapatın

4.5

BAKIM TABLOSU

Günlük kontrol

Motoru çalıştırmadan önce aşağıdaki noktaları kontrol edin.

- Somunlar ve civatalar gevşek veya kırık olmamalıdır.



Hava filtresi elemanının temizliği



Köpük hava filtresi elemanını temizlemek için yanıcı çözücüler kullanmayın.



Yağlama yağı seviyesini kontrol edin

- Benzin veya yağlama yağı sızıntısı yok.



Yeterli benzin

- Makineyi temiz tutun.

- Çevre koruması.

- Anormal titreşim veya aşırı gürültü yok.

İlk 20 saatten sonra veya her ay

- Motorun ve dişli kutusunun yağlama yağını değiştirin.

50 saatte bir veya 3 ayda bir

- Hava filtresini temizleyin* (2 Şekil 4.5).

100 saatte bir veya 6 ayda bir

- Filtreyi temizleyin.
- Motorun ve dişli kutusunun yağlama yağını değiştirin.
- Bujiyi temizleyin.
- Buji siperliğini temizleyin.

300 saatte bir veya yılda bir

- Hava filtresini değiştirin*.
- Valfteki boşluğu kontrol edin**.
- Bujiyi değiştirin.
- Yakıt filtresini temizleyin**.
- Yanma odasını temizleyin**.
- Rölantide çalışmayı ayarlayın**.
- Yakıt devresini kontrol edin**.

*Hava tozluysa veya hava kiriyle doluyorsa daha sık temizleyin.

**Performans sorunları olmadığı sürece çok önemli değildir (onaylı bir atölye tarafından yapılmalıdır).

EN

BG

HR

CZ

DA

NL

ET

FI

FR

DE

GR

HU

IT

LV

LT

NO

PL

PT

RO

RU

SK

SL

ES

SE

TR

UK



Taşıma

5.1



Motoru durdurun.

A Tekerleği hareket konumuna getirin.

B Makineyi taşımayı kolaylaştırmak için tutma çubuklarını alçak konuma ayarlayın.

C Tutma çubuklarını kullanarak bıçakları yüzeyden kaldırın ve ardından ilerleyin.

EN

BG

HR

CZ

DA

NL

ET

FI

FR

DE

GR

HU

IT

LV

LT

NO

PL

PT

RO

RU

SK

SL

ES

SE

TR

UK



AT UYUMLULUK BİLDİRİMİ



Aşağıdaki makine için

Ürün adı: Motorlu Çapa
Ticari adı: Yok
İşlevi: Motorlu Çapa (tahrik tekerlekleri olmadan)
Tip: Benzinli
Model Numarası: MFT85 210R
Seri Numarası: 16H190570

şunun tüm ilgili hükümlerine uymaktadır:

Makine Yönergesi (2006/42/AT)

ve şu uyumlulaştırılmış standartla uyumludur:

EN 709: 1997 + A4: 2009
EN 709: 1997 + A4/AC: 2012

şunun tüm ilgili hükümlerine uymaktadır:

Elektromanyetik Uyumluluk Yönergesi (2014/30/AB)

ve şu uyumlulaştırılmış standartla uyumludur:

EN ISO 14982: 2009

Bu beyanı yapmaktan sorumlu kişi

Üreticinin Adı : Husqvarna AB
Üreticinin Adresi : SE561 82 HUSKVARNA İSVEÇ

AB kapsamında belirlenen teknik dosyaları derlemekten sorumlu kişi

Ad, Soyadı : Husqvarna AB
Adres : SE561 82 HUSKVARNA İSVEÇ

Bu beyanı yapmaktan sorumlu kişi

Ad, Soyadı : John Thompson
Pozisyon/Unvan : EUAP Tüketici Bölümü, Ürün ve Pazarlama Müdürü
Yer : Husqvarna UK Ltd, Preston Road
Aycliffe Industrial Park, Newton Aycliffe
Co. Durham, DL5 6UP
Tarih : 15 Kasım 2016

(Şirket kaşesi ve resmi imza)

ЗАПОБІЖНІ ЗАХОДИ

Особливу увагу зверніть на розділи, відмічені такими позначками:



НЕБЕЗПЕКА! Попереджає про високий ризик серйозної або навіть смертельної травми внаслідок порушення інструкцій.

ПОПЕРЕДЖЕННЯ! Попереджає про небезпеку травми або пошкодження обладнання внаслідок порушення інструкцій.

ПРИМІТКА. Указує на корисну інформацію.



Ця позначка закликає не втрачати пильність під час виконання деяких операцій.

Зверніться до уповноваженого постачальника, якщо у вас виникнуть проблеми або питання щодо культиватора.



НЕБЕЗПЕКА! Інструмент призначений для безпечної та надійної роботи за умови експлуатації відповідно до інструкцій. Перш ніж почати роботу з інструментом, прочитайте цей посібник та усвідомте його зміст. В іншому випадку ви наражаєтеся на небезпеку отримання травм та пошкодження обладнання.

Навчання / інформація

Перш ніж почати роботу з інструментом, ознайомтеся з правилами експлуатації та управління. Навчіться швидко зупинити двигун.

Завжди використовуйте інструмент згідно з рекомендаціями, зазначеними в цьому посібнику з експлуатації.

Пам'ятайте, що саме оператор несе відповідальність за нещасні випадки або шкоду, заподіяну іншим людям та їхньому майну. Він несе відповідальність за оцінку потенційних ризиків оброблюваної ділянки та за дотримання всіх необхідних застережних заходів для безпечної роботи, зокрема на схилах, на нерівному, слизькому або рухомому ґрунті.

Ніколи не дозволяйте користуватися інструментом дітям або особам, які не ознайомилися із цими інструкціями. Місцеве законодавство може встановлювати мінімальний вік для користувачів.

У жодному разі не працюйте з інструментом, якщо в радіусі 20 м від нього знаходяться сторонні особи, зокрема діти або тварини; користувач обов'язково повинен міцно тримати ручки інструмента.

Не користуйтеся інструментом після прийому ліків або речовин, які можуть вплинути на швидкість вашої реакції або викликати сонливість.

Стабільність інструмента на культивованій землі набагато більша, ніж на необробленому ґрунті, тому на таких ділянках слід бути особливо уважними.

Для роботи завжди надягайте міцне взуття з неслизькою підошвою та довгі штани. Не користуйтеся інструментом босоніж або в сандалях. Рекомендуємо використовувати засоби захисту органів слуху.

Використовуйте інструмент за призначенням, а саме для перекопування землі. Використання з будь-якою іншою метою може створювати небезпеку або призвести до пошкодження інструмента.

Підготовка

Ретельно огляньте ділянку, на якій буде використовуватися інструмент, і приберіть усі об'єкти, які можуть вилітати з-під виробу (каміння, дроти, скло, металеві предмети тощо).

Перед початком роботи перевірте фрези інструмента на наявність зношення або пошкодження. Замініть зношені або пошкоджені фрези.

Слідкуйте за тим, щоб електричні кабелі зупинки двигуна були в задовільному стані для забезпечення вимкнення двигуна.

Перевірте інструмент на наявність витоків бензину або оливи.

Не користуйтеся інструментом, якщо на ньому відсутні захисні кожухи. Переконайтеся, що всі фітинги надійно затягнуті.

Використання

Заборонено використовувати інструмент для перевезення людей.

Запустіть двигун, дотримуючись указівок виробника та тримаючи ноги на відстані від лез.

Якщо інструмент не використовується, зупиняйте двигун.

У жодному разі не біжіть з інструментом, завжди ходіть спокійно.

Будьте вкрай обережні, рухаючи інструмент у напрямку до себе або змінюючи напрям обертання (якщо ви вважаєте це за необхідне).

Тримайтеся від лез, що обертаються на безпечній відстані, яка визначається за довжиною рульової колонки.

Не розташовуйте руки та ноги поруч із частинами, що обертаються, або під ними.

У випадку:

- надмірної вібрації,
- засмічення,
- проблем із роботою зчеплення,
- зіткнення зі стороннім предметом,
- пошкодження кабелю зупинення двигуна негайно зупиніть двигун (якщо кабель зупинення двигуна перерізаний, для зупинення двигуна використовуйте елемент управління стартером, як описано в розділі «Запуск двигуна»), дайте інструменту охолонути, від'єднайте провід свічки запалювання, огляньте виріб і, звернувшись до уповноваженого спеціаліста, виконайте необхідний ремонт. Лише після цього можна використовувати інструмент знову.

Користуйтеся інструментом тільки за денного світла або якісного штучного освітлення.

Не користуйтеся інструментом на ділянках із нахилом понад 20°.

Обробляйте схил, рухаючись горизонтально, а не вгору-вниз.

Працюючи на схилах, знайдіть тверду опору та будьте дуже уважні, змінюючи напрям.

У разі використання аксесуарів, не рекомендованих виробником, не можна гарантувати безпечність інструмента, це також може призвести до пошкодження інструмента, які не покриваються гарантією.

Технічне обслуговування / зберігання

Перед виконанням робіт із чищення, перевірки, налаштування, технічного обслуговування або заміни фрез зупиніть двигун і від'єднайте провід свічки запалювання.

Щоб замінити фрезу, зупиніть двигун і від'єднайте провід свічки запалювання, надіньте міцні рукавиці.

Усі гайки та болти повинні бути міцно затягнуті, щоб обладнання було в безпечному робочому стані.

Щоб зменшити небезпеку загоряння, очистуйте двигун, глушник і зони зберігання палива від рослин, відпрацьованого мастила й будь-яких інших займистих матеріалів.

У разі пошкодження глушника вихлопних газів замініть його, звернувшись до уповноваженого спеціаліста з ремонту.

Не ремонтуйте деталі, замінійте їх оригінальними запчастинами виробника.

Щоб не порушити балансуювання, замінійте одразу весь комплект різальних дисків.

Задля вашої особистої безпеки не змінюйте характеристики вашого інструмента. Не змінюйте налаштування швидкості двигуна й уникайте роботи двигуна з надмірною швидкістю. Регулярне технічне обслуговування є запорукою безпечної експлуатації та стабільного рівня продуктивності.

Зберігати слід лише інструмент з охолодженим двигуном.

Небезпека! Бензин є надзвичайно легкозаймистою речовиною!

Зберігайте пальне в спеціально призначених контейнерах. Заправляйте пальне тільки надворі й не паліть під час заправки.

Не знімайте кришку паливного бака та не додавайте бензин під час роботи двигуна чи якщо двигун не охолонув.

У випадку проливання бензину не намагайтеся запустити двигун. Натомість приберіть інструмент із місця проливання та не допускайте створення будь-якого джерела займання, доки випари бензину не зникнуть.

Зберігайте інструмент у сухому місці. Не зберігайте інструмент у приміщеннях, у яких випари бензину можуть контактувати з полум'ям, іскрою або джерелом сильного тепла.

Правильно встановлюйте на місце кришку паливного бака та каністри для бензину.

Щоб уникнути проливання, обмежуйте кількість бензину в баку.

Не запускайте двигун у замкнутому просторі, де може накопичуватися монооксид вуглецю.

Монооксид вуглецю може бути смертельно небезпечним. Обов'язково забезпечуйте належну вентиляцію.

Переміщення, перенесення, транспортування

Усі інші роботи з інструментом, окрім перекопування, слід виконувати з вимкненим двигуном.

Переміщення інструмента (окрім перекопування землі) слід здійснювати за допомогою колеса для транспортування, як описано в розділі «Переміщення».

Перенесення: не намагайтеся піднімати інструмент самостійно. Вагу інструмента зазначено на таблиці з паспортними даними та в кінці цього посібника. З метою гарантування безпеки перенесення обирайте метод відповідно до ваги інструмента й навколишніх умов.

Використовуйте відповідну завантажувальну платформу під час завантажування інструмента на причеп чи розвантажування з нього. Правильно зафіксуйте інструмент для безпечної транспортування.

Транспортування інструмента слід здійснювати на причепі; не використовуйте інші засоби для транспортування.

EN

BG

HR

CZ

DA

NL

ET

FI

FR

DE

GR

HU

IT

LV

LT

NO

PL

PT

RO

RU

SK

SL

ES

SE

TR

UK

ПОЯСНЕННЯ ДО ПОЗНАЧОК



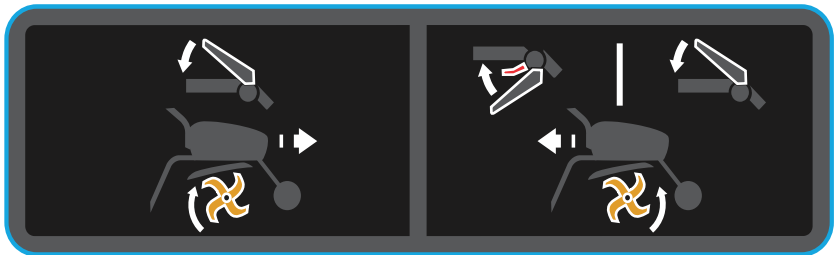
ПОПЕРЕДЖЕННЯ
Небезпека

ПОПЕРЕДЖЕННЯ
Тримайтеся на безпечній відстані

ПОПЕРЕДЖЕННЯ
Фрези

ПОПЕРЕДЖЕННЯ
Перед здійсненням будь-яких робіт прочитайте посібник користувача та від'єднайте провід свічки запалювання.

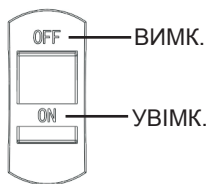
ПОПЕРЕДЖЕННЯ
Прочитайте посібник користувача



ПЕРЕДНІЙ ХІД

ЗАДНІЙ ХІД

Вимикач



Гарантований рівень звукової потужності



Використовуйте засоби захисту органів слуху.

ТЕХНІЧНА ІНФОРМАЦІЯ

Модель	MFT85 210R	Номінальна потужність, кс (кВт) за об/хв.	4,8 (3,6) за 3100
Ширина обробки ґрунту (мм)	780	Передачі	-1, 0, 1
Глибина обробки ґрунту (мм)	100–200	Трансмісійне масло	Масило
Тип двигуна	McCulloch 210 (WM170F-2/P)	Вага брутто (кг)	65,0
Паливо	Бензин	Вага нетто (кг)	60,0
Ємність паливного бака (л)	3,60	Габаритні розміри (мм)	780 x 500 x 660
Ємність масляного бака (л)	0,35	Сертифікація	CE, EAC
Робочий об'єм	212 куб. см	Гарантований рівень звукового тиску	2 дБА
Рівень звукового тиску	78 дБА	Похибка вібрації	2%
Рівень потужності звуку	98 дБА	Вимірювання звукової потужності	Ліва рукоятка 7,2 м/с ² Права рукоятка 7,4 м/с ²
Похибка звуку	2 дБА		

РОЗПАКУВАННЯ/МОНТАЖ

Примітка. Виробник, прагнучи до постійного вдосконалення продукції, заявляє, що цей посібник користувача не є остаточним, і лишає за собою право змінювати характеристики цього інструмента, не попереджаючи про це заздалегідь.



Розпакування



УВАГА!

Розпакуйте коробку з обережністю, щоб не перерізати кабелі чи не пошкодити фарбу на корпусі інструмента.

Позн.	Уміст коробки
A	Блок двигуна
B	Обмежувач глибини перекопування
C	Переднє колесо
D	Вертикальна труба
E	З'єднувальна кришка рукояток
F	Фіксувальна головка
G	Захисна кришка
H	Головне вістря, праве
I	Головне вістря, ліве
J	Рейка
K	Кожух вістря
L	Сумка з інструментами
M	Захисний кожух
N	Допоміжне вістря 1, ліве
O	Допоміжне вістря 1, праве
P	Допоміжне вістря 2, ліве
Q	Допоміжне вістря 2, праве



Монтаж



УВАГА!

Неправильний монтаж цього обертального культиватора може стати причиною серйозних травм. Дотримуйтеся усіх інструкцій.

- 1** Установіть кожух вістер.
- 2** Установіть першу групу вістер.
Розташуйте всі загострені кінці на одній стороні.
- 3** Установіть обмежувач глибини перекопування.
- 4** Установіть переднє колесо.
- 5** Установіть вертикальну трубу.
- 6** Установіть рейки.
- 7** Установіть з'єднувальну кришку рукояток.
- 8** Установіть захисну кришку.
- 9** Установіть другу групу вістер – справа.
- 10** Установіть другу групи вістер – зліва.
- 11 12** Установіть третю групу вістер – зліва та справа.
- 13 14** Установіть захисний кожух.



Увага!

Здійснивши монтаж усіх деталей інструмента, надійно, але без надмірних зусиль, затягніть усі болти та гвинти.

Примітка. Будь-які роботи з демонтажу повинні виконуватися працівниками відповідних сервісних центрів.



Опис КОМПОНЕНТІВ

- 1 – двигун
- 2 – рукоятка зчеплення
- 3 – з'єднувальна кришка рукояток
- 4 – перемикач увімк./вимкн.
- 5 – захисний кожух
- 6 – важіль керування газом
- 7 – рукоятки
- 8 – важіль перемикачів передач
- 9 – вістря
- 10 – обмежувач глибини перекопування
- 11 – переднє колесо



Табличка з паспортними даними



Колесо для перевезення

A = робоче положення
B = положення для перевезення

ЗАПУСК ІНСТРУМЕНТА



Залити моторну олиу та перевірте її рівень.



Залити бензин.



Змастіть у вказаному місці.



Відкрийте подачу бензину.



Установіть заслінку в положення А.



Установіть важіль керування газом у необхідне положення.

Установіть важіль на:

H



Установіть перемикач увімк./вимкн. у положення «УВІМК.».



Потягніть рукоятку троса стартера



Установіть заслінку в положення В.



Увага!

Не виходьте за межі безпечної зони під час запуску інструмента.

- EN
- BG
- HR
- CZ
- DA
- NL
- ET
- FI
- FR
- DE
- GR
- HU
- IT
- LV
- LT
- NO
- PL
- PT
- RO
- RU
- SK
- SL
- ES
- SE
- TR
- UK

ВИКОРИСТАННЯ



Передній хід

1. Не виконуйте жодних дій із муфтою зчеплення заднього ходу.
- 2-А. Відпустіть ручку зчеплення.
- 2-В. Затисніть ручку зчеплення.



Забезпечте навколо інструмента безпечну зону радіусом 20 м.



Задній хід

- 1-А. Змініть положення червоного перемикача заднього ходу.
- 1-В. Притисніть ручку заднього ходу.
- 2-А. Відпустіть ручку зчеплення.
- 2-В. Затисніть ручку зчеплення.



Забезпечте навколо інструмента безпечну зону радіусом 20 м.



Робота на задньому ходу небезпечна. Переконайтеся, що позаду вас немає перешкод і, перш ніж увімкнути зчеплення, зменшіть кількість обертів двигуна.

ЗУПИНКА ДВИГУНА



Зупиніть фрези.

Відпустіть важіль керування зчепленням.



Зупиніть двигун.

Установіть перемикач увімк./вимкн. у положення «ВИМК.».



Закрийте паливний кран.



Зменште подачу пального.

Установіть керування газом на:



Установіть заслінку в положення А.

ГРАФІК ТЕХНІЧНОГО ОБСЛУГОВУВАННЯ

Щоденний огляд

Обов'язкові пункти перевірки перед запуском двигуна.

- Надійність затягування та цілісність гайок і болтів.



■ Чистота елементів фільтрування



Не використовуйте легкозаймисті розчинники для очищення губчастого елемента фільтрування.



■ Перевірка рівня мастила

- Відсутність протікань бензину чи мастила.



■ Достатній рівень бензину

- Чистота інструмента.
- Захист навколишнього середовища.
- Відсутність надлишкових вібрацій чи надлишкового шуму.

Після перших 20 годин роботи або раз на місяць

- Заміна мастила двигуна та коробки передач.

Кожні 50 годин або раз на 3 місяці

- Чищення повітряного фільтра* (2 Мал. 4.5)

Кожні 100 годин або раз на 6 місяців

- Чищення фільтра
- Заміна мастила двигуна та коробки передач.
- Чищення свічки запалювання.
- Чищення ковпака свічки запалювання.

Кожні 300 годин або раз на рік

- Заміна повітряного фільтра*.
- Перевірка проміжку клапана**
- Заміна свічки запалювання.
- Чищення паливного фільтра**.
- Чищення камери згоряння**.
- Налаштування регулятора неробочого ходу**
- Перевірка паливного контура.

*Скоротіть періодичність чищення, якщо інструмент використовується в місцях із високим рівнем пилу або бруду в повітрі.

**Необов'язковий пункт, крім випадків виявлення проблем із продуктивністю (здійснюється представниками уповноваженого сервісного центра).



Переміщення



Зупиніть двигун.

A Установіть колесо в положення для руху.

B Для спрощення процесу переміщення інструмента встановіть рукоятки в нижнє положення.

C Тримаючись за рукоятки, витягніть леза із землі та почніть рухатися вперед.

EN

BG

HR

CZ

DA

NL

ET

FI

FR

DE

GR

HU

IT

LV

LT

NO

PL

PT

RO

RU

SK

SL

ES

SE

TR

UK

- EN
- BG
- HR
- CZ
- DA
- NL
- ET
- FI
- FR
- DE
- GR
- HU
- IT
- LV
- LT
- NO
- PL
- PT
- RO
- RU
- SK
- SL
- ES
- SE
- TR
- UK



ДЕКЛАРАЦІЯ ВІДПОВІДНОСТІ ЄС



Зазначений далі інструмент

Назва виробу: Мотокультиватор
 Комерційна назва: Н/З
 Функція: Мотокультиватор (без приводних колес)
 Тип: бензиновий
 № моделі: MFT85 210R
 Серійний №: 16H190570

вiдповiдає усiм суттєвим вимогам

Директиви «Про машини та механізми» (2006/42/EC)

та зазначеним далі узгодженим стандартам:

EN 709: 1997 + A4: 2009
 EN 709: 1997 + A4/AC:2012

вiдповiдає усiм суттєвим вимогам

Директиви «Про електромагнітну сумісність» (2014/30/EU)

та зазначеним далі узгодженим стандартам:

EN ISO 14982: 2009

Вiдповiдальний за складання цієї декларації

Назва виробника : Husqvarna AB
 Адреса виробника : SE-561 82 HUSKVARNA SWEDEN (Швеція)

Особа, вiдповiдальна за складання технічного опису згідно з вимогами країн ЄС

Ім'я, прізвище : Husqvarna AB
 Адреса : SE-561 82 HUSKVARNA SWEDEN (Швеція)

Особа, вiдповiдальна за складання цієї декларації

Ім'я, прізвище : John Thompson (Джон Томпсон)
 Посада : директор із питань виробництва й маркетингу, підрозділ това
 рів споживчого призначення
 Місце : Husqvarna UK Ltd, Preston Road
 Aycliffe Industrial Park. Newton Aycliffe
 Co.Durham,DL5 6UP
 Дата : 15 листопада 2016 р.

(Печатка компанії та підпис уповноваженої особи)

WWW.McCULLOCH.COM

EN - Original instructions

BG - Оригинални инструкции

HR - Prvobitna uputstva

CZ - Původní pokyny

DA - Originale instruktioner

NL - Originele instructies

ET - Originaaljuhend

FI - Alkuperäiset ohjeet

FR - Instructions d'origine

DE - Originalanweisungen

GR - Αρχικές οδηγίες

HU - Eredeti útmutatás

IT - Istruzioni originali

LV - Instrukcijas oriģinālvalodā

LT - Originalios instrukcijos

NO - Originale instruksjoner

PL - Instrukcja oryginalna

PT - Instruções originais

RO - Instrucțiuni inițiale

RU - Оригинальные инструкции

SK - Pôvodné pokyny

SL - Izvirna navodila

ES - Instrucciones originales

SE - Bruksanvisning i original

TR - Orijinal talimatlar

UK - Основні інструкції