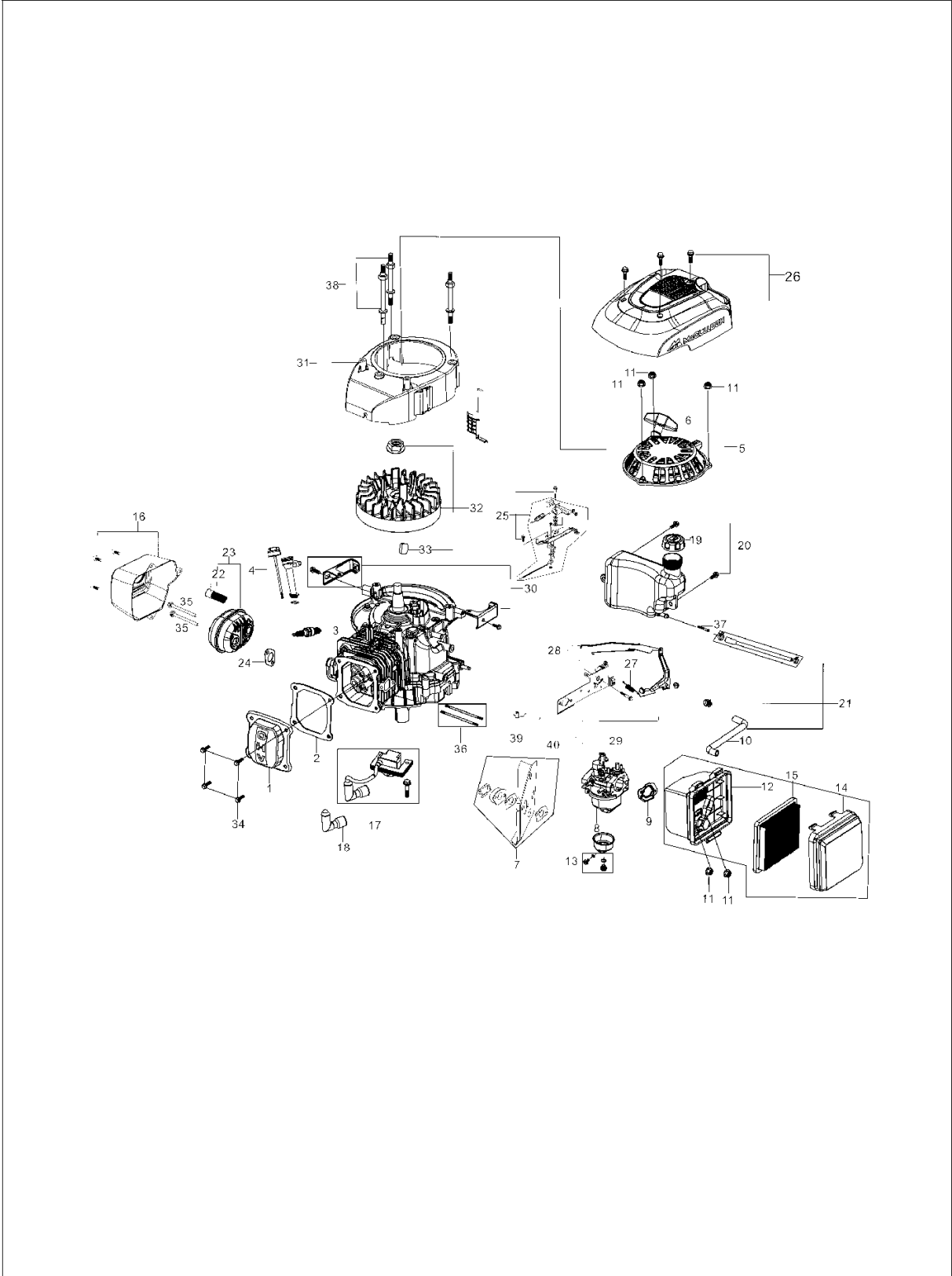




SPARE PARTS LIST

LAWN MOWERS: CONSUMER
WALK-BEHINDS

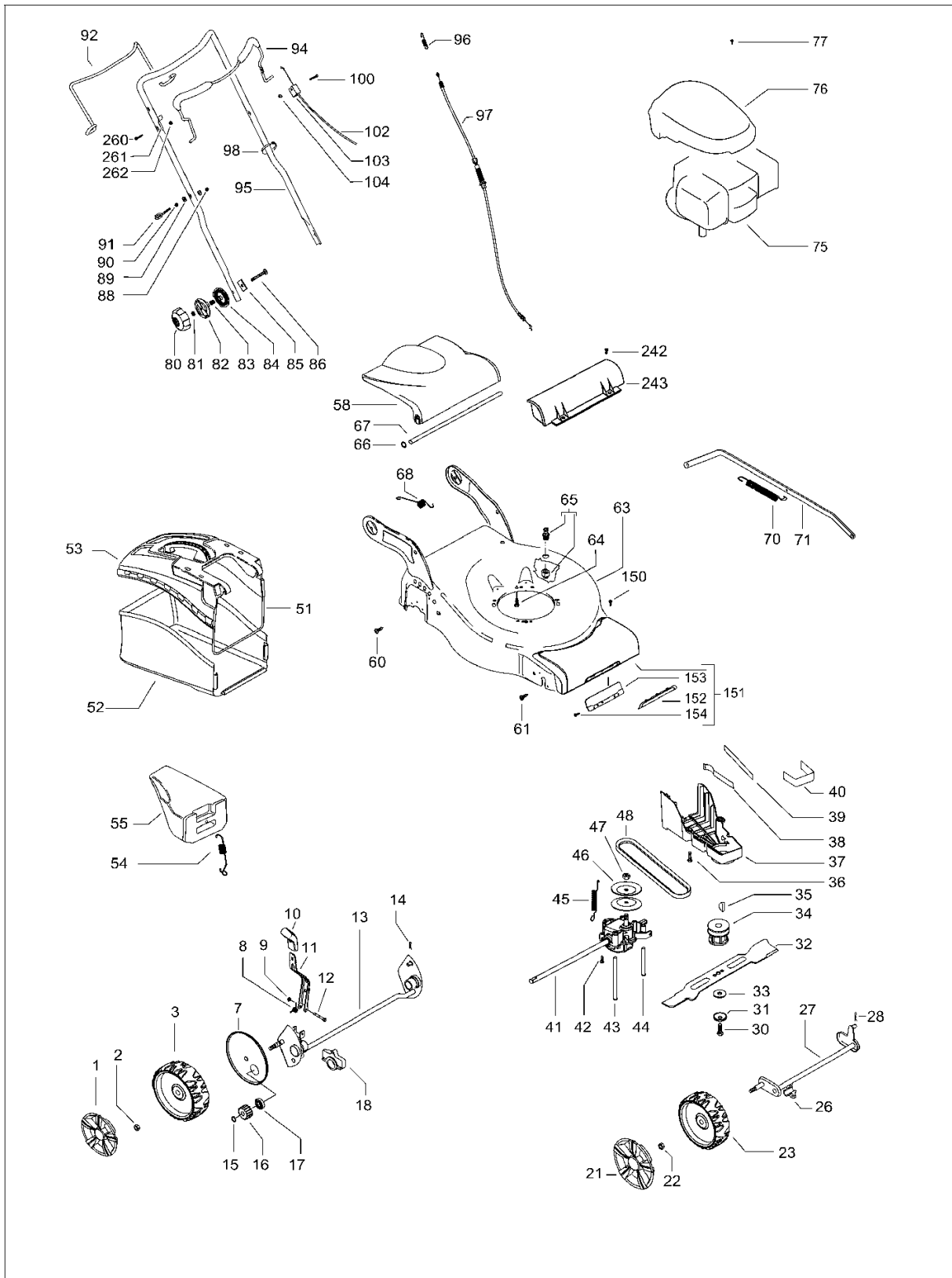
M46-140 RX, 96717410103, 2015-06



ENGINE

M46-140 RX, 96717410103, 2015-06

Ref	Part No	Description	Remark	QTY KIT
1	532 43 75-56	VALVE COVER		1
2	532 43 75-57	VALVE COVER GASKET		1
3	532 43 75-58	SPARK PLUG		1
4	532 43 75-59	DIPSTICK		1
5	581 66 35-01	RECOIL STARTER ASSEMBLY		1
6	581 85 67-01	STARTER HANDLE		1
7	532 43 75-64	CARBURETOR GASKET KIT		1
8	532 43 75-65	CARBURETOR ASSY		1
9	532 43 75-66	AIR CLEANER GASKET		1
10	532 43 75-67	BREATHER TUBE		1
11	532 43 75-68	NUT (M6)		3
12	532 43 75-69	AIR CLEANER BASE		1
13	581 85 71-01	CARBURETOR KIT		1
14	532 43 75-71	COVER- AIR CLEANER		1
15	532 43 93-77	AIR CLEANER ELEMENT		1
16	532 43 75-72	MUFFLER COVER		1
17	532 43 75-80	IGNITION MODULE		1
18	532 43 93-78	SPARK PLUG CAP		1
19	532 43 75-75	FUEL CAP		1
20	532 43 75-76	FUEL TANK ASSEMBLY		1
21	532 43 75-77	HOSE KIT		1
22	581 85 72-01	SPARK ARRESTOR ASSY		1
23	532 43 75-73	MUFFLER		1
24	581 67 26-01	GASKET		1
25	581 85 83-01	BRAKE ASSY		1
26	581 85 73-01	SHROUD		1
27	532 43 93-79	GOVERNOR SPRING		1
28	532 43 93-80	THROTTLE LEVER ASSY		1
29	532 43 93-81	THROTTLE CONTROL ASSEMBLY		1
30	532 43 93-82	FUEL TANK BRACKET		1
31	532 43 93-84	BLOWER HOUSING ASSY		1
32	532 43 93-85	FLYWHEEL		1
33	580 49 14-01	KEY		1
34	580 49 15-01	BOLT		4
35	580 49 16-01	STUD		2
36	580 49 17-01	STUD		2
37	580 49 18-01	FUEL FILTER		1
38	580 49 40-01	STUD		1
39	583 94 59-01	TEMPERATURE CONTROL SYSTEM		1
40	583 94 59-02	THERMAL ROD		1
--	581 85 68-01	HIGH ALTITUDE JET		1
--	581 85 76-01	ENGINE ASSY	without shroud	1



Ref	Part No	Description	Remark	QTY KIT
1	574 39 65-01	HUB CAP		2
2	504 85 78-01	NUT		2
3	574 41 52-02	WHEEL		2
7	504 82 73-01	DUST COVER		2
8	531 21 08-17	SPRING		1
9	531 20 84-92	NUT		1
10	580 46 24-01	KNOB		1
11	581 17 86-01	LEVER ASSY		1
12	538 23 58-07	SCREW		1
13	504 80 01-01	REAR AXLE		1
14	531 20 66-53	PIN		1
15	531 20 87-72	WASHER		2
16	544 34 23-01	PINION		2
17	531 20 87-78	BEARING		2
18	531 20 59-44	SUPPORT		2
21	574 39 64-01	HUB CAP		2
22	504 85 78-01	NUT		2
23	574 41 50-02	WHEEL		2
26	577 38 42-01	SUPPORT		2
27	573 97 60-01	FRONT AXLE		1
28	531 20 66-53	PIN		1
30	531 20 80-08	SCREW		1
31	531 20 72-37	WASHER		1
32	580 25 92-02	MOWER BLADE		1
33	531 20 72-43	WASHER		1
34	504 59 12-01	BLADE SUPPORT		1
35	531 20 74-32	KEY		1
36	531 20 78-56	SCREW		3
37	544 46 22-01	BELT GUARD		1
38	504 04 61-01	WEAR PROTECTION		1
39	544 46 25-01	WEAR PROTECTION		1
40	504 05 66-01	PROTECTION		1
41	544 34 32-03	GEAR BOX		1
42	510 03 75-01	SCREW		2
43	544 93 44-01	BELT GUIDE		1
44	544 93 43-01	BELT GUIDE		1
45	544 93 47-01	SPRING		1
46	504 54 79-01	PULLEY		2
47	504 54 80-01	NUT		1
48	504 03 48-01	BELT		1
51	574 86 94-01	FRAME		1
52	574 86 96-02	GRASSBAG		1
53	574 61 03-01	GRASSBAG		1
54	522 85 77-01	SPRING		1
55	531 21 06-17	PLUG		1
58	574 61 02-01	HATCH		1
60	531 20 66-77	SCREW		2
61	525 43 31-01	SCREW		4
63	581 29 20-02	CHASSIS		1
64	531 21 28-51	SCREW		3
65	531 20 58-48	CONNECTOR		1
66	531 20 76-57	RETAINING RING		2
67	531 21 14-41	TIE ROD		1
68	531 21 18-40	SPRING		1
70	579 24 53-02	SPRING		1
71	580 96 33-01	ROD		1
75	.	TBD	engine, Rato, model number R10100-Z251310	1
76	580 29 06-01	SHROUD		1
77	580 77 53-01	SCREW ITXPANM		3
80	580 42 43-01	KNOB		2
81	531 20 49-22	WASHER		2
82	531 21 14-74	SEGMENT		2
83	531 21 14-76	SPRING		2
84	531 21 14-73	SEGMENT		2

MOWER DECK / CUTTING DECK

M46-140 RX, 96717410103, 2015-06

Ref	Part No	Description	Remark	QTY KIT
85	531 21 15-81	PLATE		2
86	581 25 95-01	SCREW RSQM		2
88	531 20 84-91	NUT		1
89	531 20 49-61	WASHER		2
90	531 20 71-65	NUT		1
91	531 20 51-69	PIN RETAINING SCREW		1
92	580 65 43-01	BAIL		1
94	580 84 91-04	BAIL		1
95	580 41 23-02	HANDLE		1
96	580 76 19-01	SPRING		1
97	544 90 80-04	CABLE		1
98	531 20 55-81	CLIP		2
100	580 83 36-01	SCREW EHHM		1
102	580 85 34-01	CABLE		1
103	531 20 80-43	BRACKET		1
104	581 55 12-01	HEXAGON LOCKING NUT		1
150	576 04 74-01	SCREW CRPANT		2
151	575 56 21-04	FRONT COVER ASSY		1
152	574 37 52-01	COVER		1
153	574 72 17-01	ATTACHMENT PLATE		1
154	575 95 57-01	SCREW ITXPANT		2
242	576 04 74-01	SCREW CRPANT		2
243	579 30 09-01	SEAL		1
260	580 83 36-02	SCREW EHHM		1
261	532 43 00-34	BRACKET		1
262	581 55 12-01	HEXAGON LOCKING NUT		1