

**ILLUSTRATED PARTS LIST**

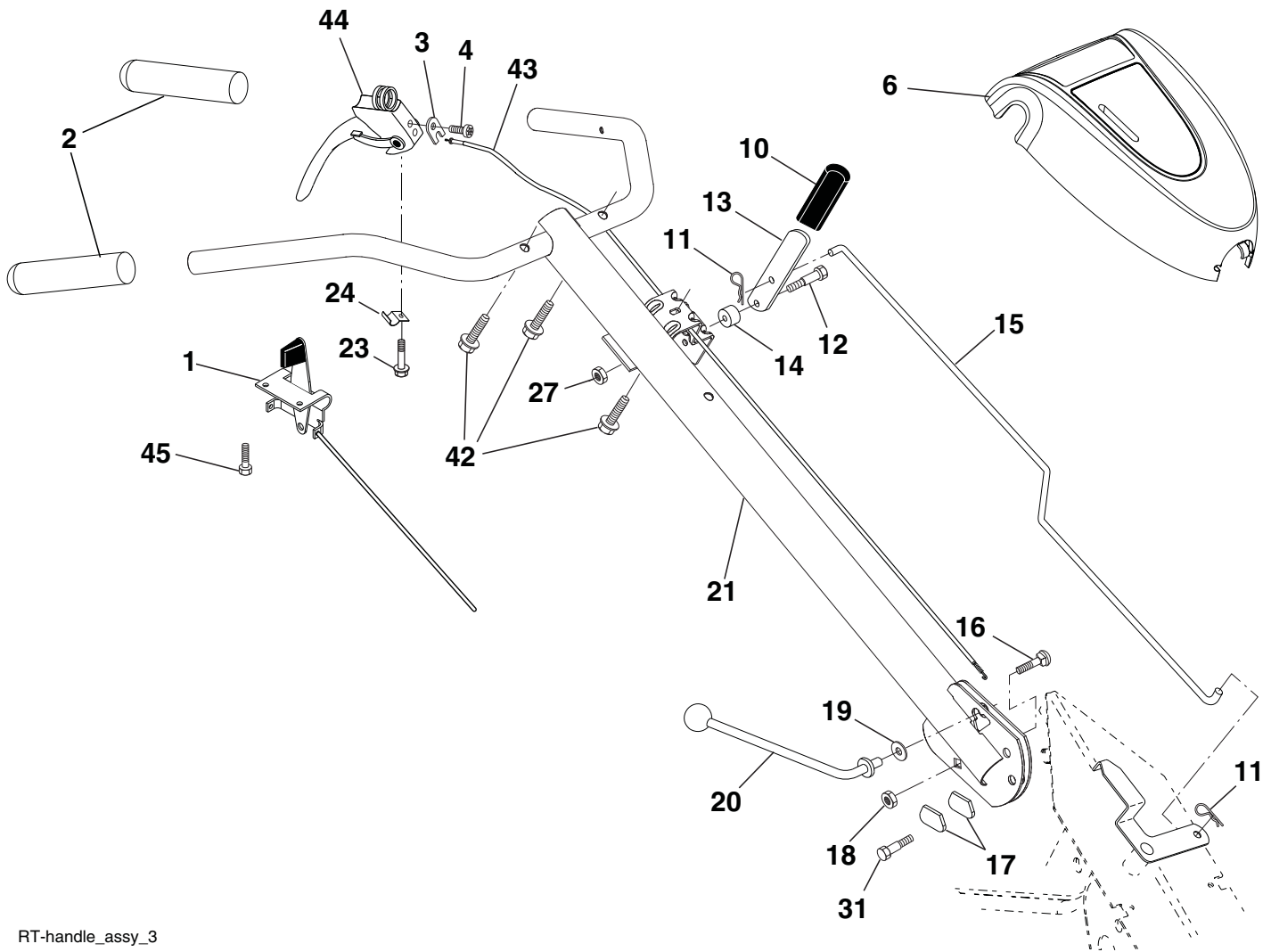
**BRAND: McCULLOCH**

**REAR TINE TILLER**

**MODEL NUMBER: MRT6**

**MFG. ID. NUMBER: 96091002111**

# M<sup>c</sup>CULLOCH REAR TINE TILLER - MODEL NO. MRT6 (MFG. ID. NO. 96091002111) HANDLE ASSEMBLY



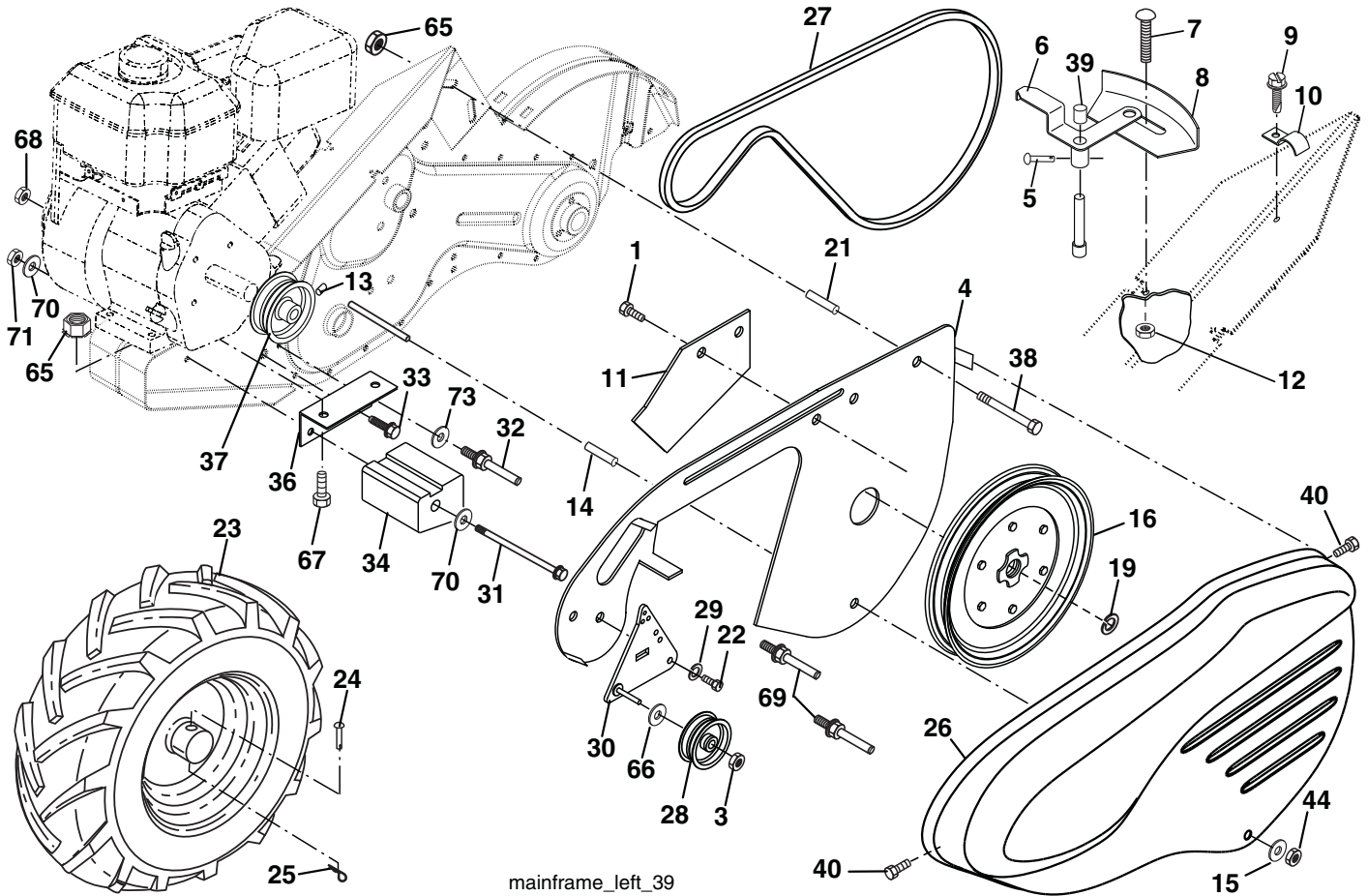
RT-handle\_assy\_3

KEY NO.	PART NO.	DESCRIPTION
1	586 68 15-01	Control, Throttle
2	532 42 76-43	Grip, Handle
3	589 28 41-02	Clip, Retainer
4	818 10 10-08	Screw, Torx
6	532 44 60-77	Panel, Control
10	532 12 47-97	Grip, Handle
11	532 12 47-88	Clip, Hairpin
12	532 08 13-28	Bolt, Shoulder
13	581 85 12-01	Handle, Shift
14	532 10 93-13	Grommet, Rubber
15	532 13 84-00	Rod, Shift
16	872 11 06-08	Bolt, Carriage, Grade 5 3/8-16 x 1
17	532 10 92-29	Lock, Handle
18	873 68 06-00	Nut, Crownlock 3/8-16UNC
19	819 13 16-11	Washer 13/32 x 1 x 11 Gauge

KEY NO.	PART NO.	DESCRIPTION
20	532 10 92-28	Lever, Lock, Handle
21	581 96 94-01	Handle
23	532 08 67-77	Screw
24	532 44 60-45	Clip
27	873 90 04-00	Nut, Hex, Flanged 1/4-20UNC
31	532 15 06-96	Bolt, Pivot
42	532 41 63-58	Screw #10 x 3/4
43	588 16 70-02	Cable, Handle, Tine Control
44	532 43 87-82	Control, Handle, Two Function
45	532 42 17-56	Screw #10 x 1/2
--	581 64 02-02	Bag of Parts (Includes Key Numbers 11, 16-20 and 31)

**NOTE:** All component dimensions given in U.S. inches.  
1 inch = 25.4 mm

**M<sup>C</sup>CULLOCH REAR TINE TILLER - MODEL NO. MRT6 (MFG. ID. NO. 96091002111)**  
**MAINFRAME, LEFT SIDE**



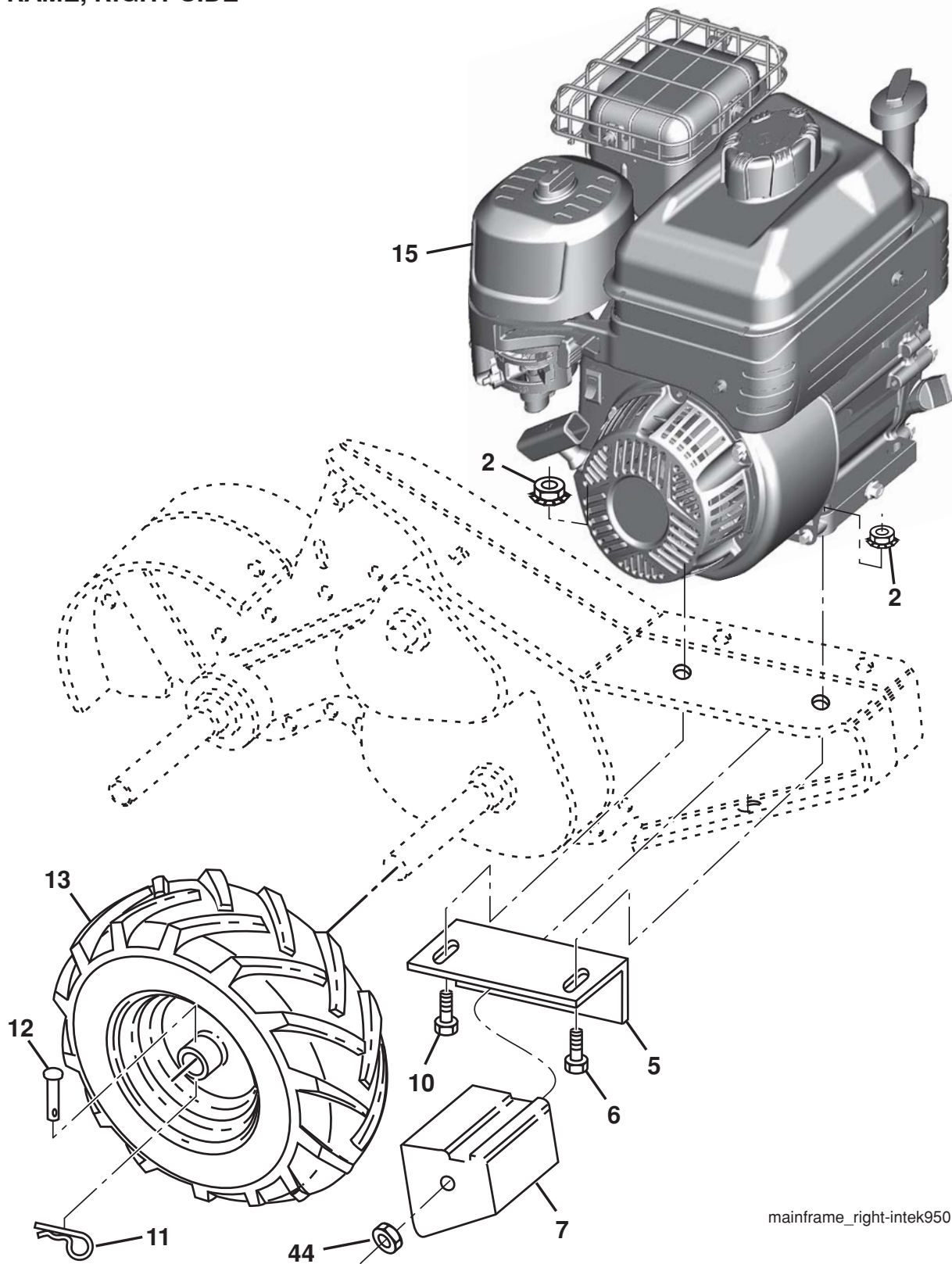
mainframe\_left\_39

KEY PART NO.	PART NO.	DESCRIPTION
1	532 18 92-41	Screw
3	873 93 06-00	Nut, Hex 3/8-16
4	583 87 77-01	Shield, Inner Belt Guard, R.H.
5	532 16 43-29	Pin, Spiral Flared
6	532 11 01-11	Lever, Shift
7	872 11 04-04	Bolt, Carriage, Grade 5 1/4-20 x 1/2
8	581 84 50-01	Plate, Shift Indicator
9	532 08 67-77	Screw, Hex Washer Head, Slotted #10-24 x 1/2
10	532 44 60-45	Clip
11	587 83 61-01	Guard
12	873 51 04-00	Nut, Keps, Hex 1/4-20 UNC
13	823 23 05-06	Screw, Set, Hex 5/16-18 x 3/8
14	532 15 61-17	Spacer, Split
15	585 83 12-01	Washer 11/32 x 11/16 x 16 Gauge
16	532 14 51-02	Sheave, Transmission
19	812 00 00-28	Retainer, Ring
21	585 83 08-01	Spacer, Split 0.327 x 0.42 x 2.09
22	874 77 05-08	Bolt, Hex Head 5/16-24 UNF x 1/2
23	<b>583 87 74-02</b>	Wheel & Tire Assembly
24	<b>532 44 60-59</b>	Rivet, Drilled
25	<b>532 12 49-61</b>	Clip, Hairpin
26	532 40 72-86	Guard, Belt
27	532 13 28-01	Belt, V

KEY PART NO.	PART NO.	DESCRIPTION
28	532 10 46-79	Pulley, Idler
29	812 00 00-32	Ring, Klip
30	584 28 92-01	Bracket, Idler
31	581 74 72-01	Bolt, Hex Head 3/8-16 UNC x 12
32	532 10 21-41	Shaft, Idler Arm
33	874 76 06-16	Bolt, Hex Head 3/8-16 x 1
34	581 01 06-01	Counterweight, L.H.
36	581 86 48-01	Bracket, Reinforcement, L.H.
37	532 13 08-12	Sheave, Engine
38	874 76 05-44	Bolt, Hex Head 5/16-18 x 2-3/4
39	532 14 00-62	Cap, Plunger, Black
40	532 17 04-88	Screw, Hex Washer Head, Slotted #10-24 x 1/2
44	873 80 05-00	Locknut, Hex, with Washer Insert, Plated 5/16-18 UNC
65	873 97 05-00	Locknut, Hex, Flanged
66	819 13 13-16	Washer, Flat, 3/8 SAE
67	874 76 05-24	Bolt, Hex Head 5/16-18 x 1-1/2
68	873 51 06-00	Nut, Hex, Keps 3/8-16 UNC
69	532 16 41-73	Keeper, Belt, Engine
70	819 13 20-12	Washer, Flat
71	873 68 06-00	Nut, Hex
73	819 13 13-12	Washer 13/32 x 13/16 x 12 Gauge

**NOTE:** All component dimensions given in U.S. inches.  
 1 inch = 25.4 mm

**M<sup>c</sup>CULLOCH REAR TINE TILLER - MODEL NO. MRT6 (MFG. ID. NO. 96091002111)**  
**MAINFRAME, RIGHT SIDE**



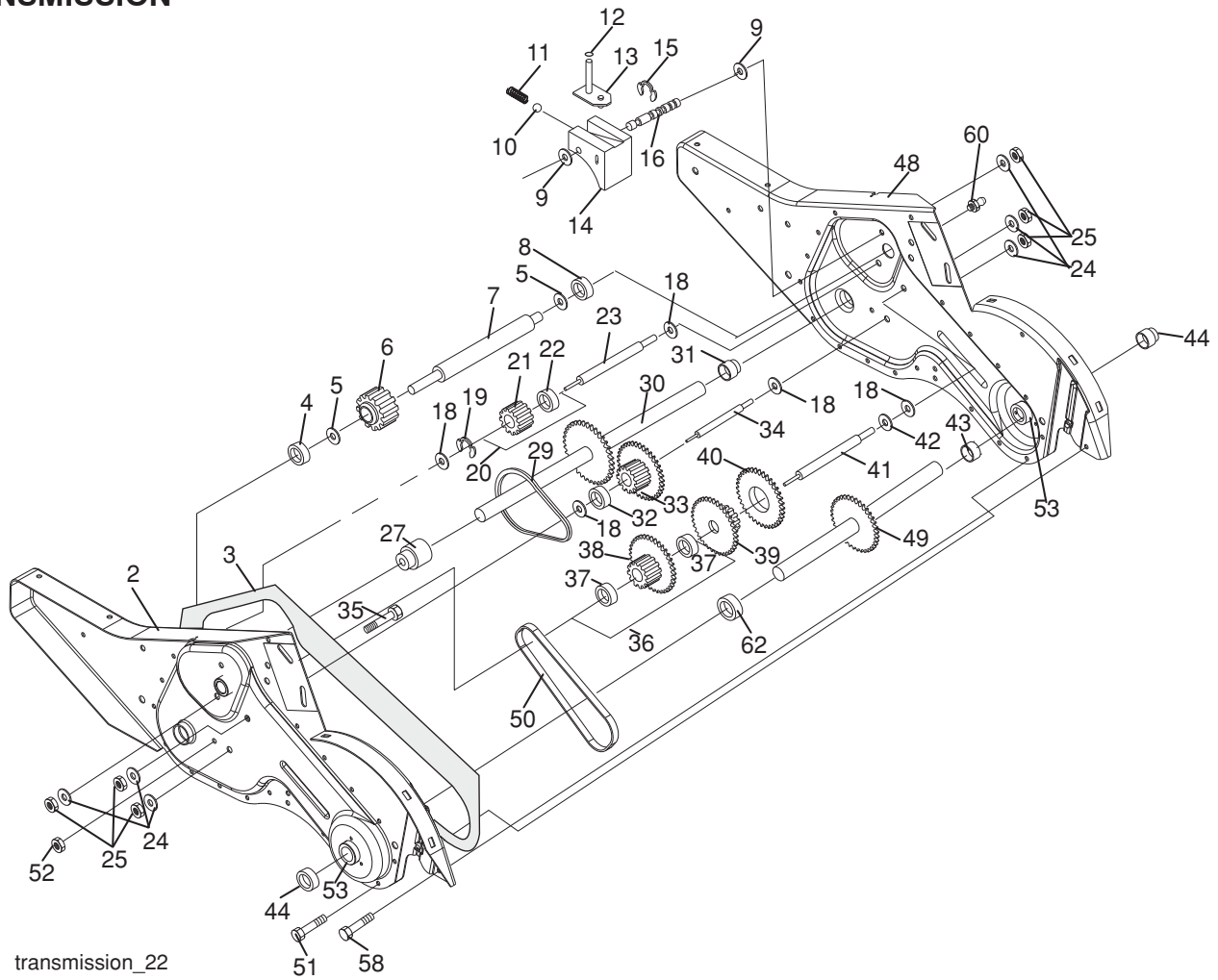
mainframe\_right-intek950

KEY NO.	PART NO.	DESCRIPTION
2	873 97 05-00	Locknut, Hex, Flanged 5/16-18
5	581 86 47-01	Bracket, Reinforcement
6	874 76 05-28	Bolt, Hex Head 5/16-18
7	581 01 04-01	Counter Weight, R.H.
10	874 76 05-24	Bolt, Hex Head 5/16-18 x 1-1/2
11	<b>532 12 49-61</b>	Clip, Hairpin
12	<b>532 44 60-59</b>	Rivet, Drilled

KEY NO.	PART NO.	DESCRIPTION
13	<b>583 87 74-01</b>	Wheel & Tire Assembly
15	---	Engine, Briggs & Stratton Model Number 130G32-0062-H1 (Order parts from B&S)
44	873 51 06-00	Nut, Hex, Keps 3/8-16 UNC

**NOTE:** All component dimensions given in U.S. inches  
1 inch = 25.4 mm

# M<sup>C</sup>CULLOCH REAR TINE TILLER - MODEL NO. MRT6 (MFG. ID. NO. 96091002111) TRANSMISSION

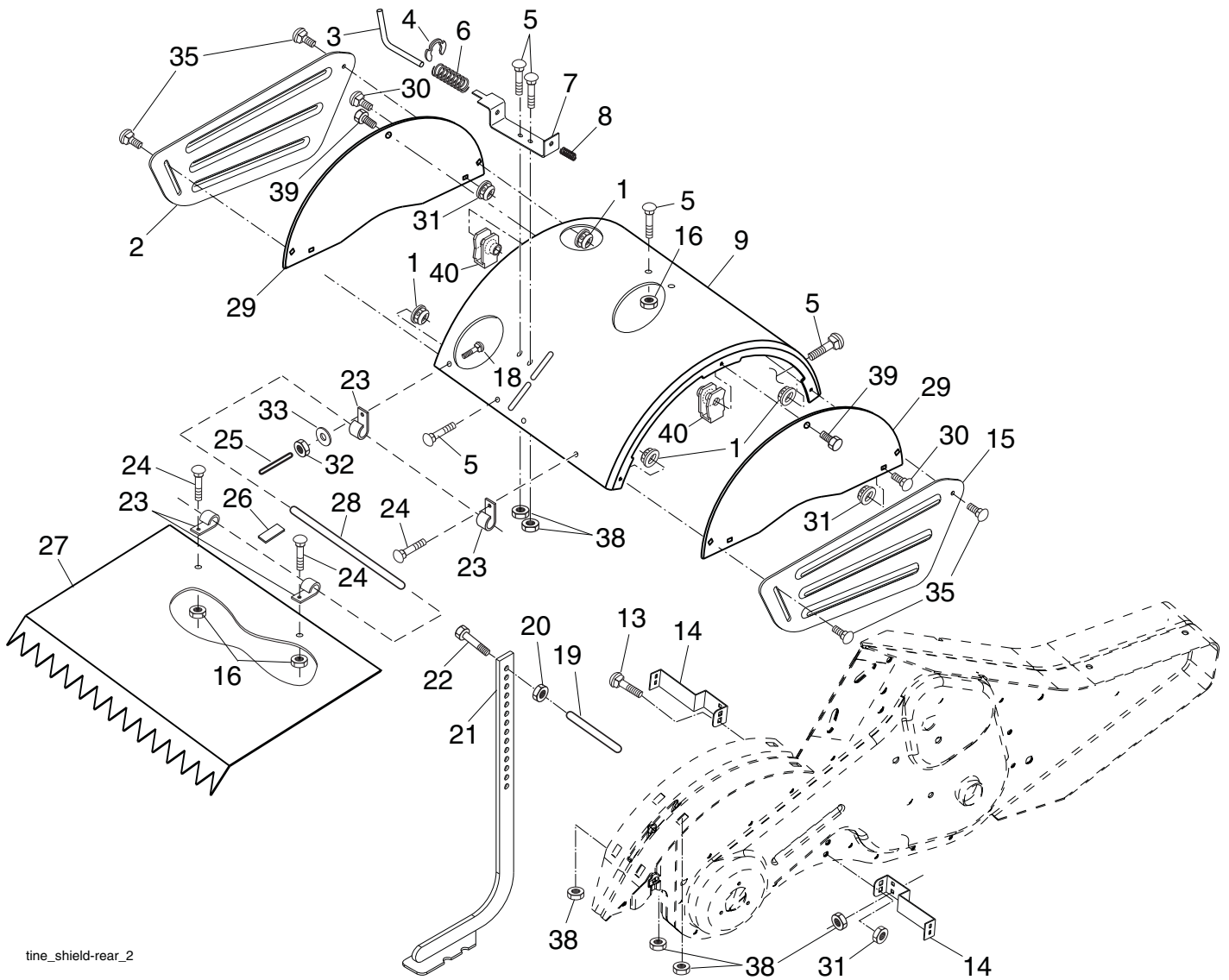


transmission\_22

KEY NO.	PART NO.	DESCRIPTION	KEY NO.	PART NO.	DESCRIPTION
1	587 56 90-01	Transmission Assembly (Includes Key Numbers 2-62)	30	532 15 07-37	Ground Shaft Assembly
2	532 18 84-82	Gearcase, L.H., with Bearing (Includes Key Number 4)	31	532 14 30-08	Bearing, Shaft, Ground Drive, R.H.
3	<b>501 60 63-01</b>	Gasket, Gearcase	32	532 10 63-88	Spacer 0.70 x 1.00 x 1.150
4	532 00 50-20	Bearing, Needle	33	532 10 21-21	Sprocket and Gear Assembly
5	532 00 13-70	Washer, Thrust 5/8 x 1.10 x 1/32	34	532 10 21-12	Shaft, Reduction, 2nd
6	586 19 63-01	Pinion, Input	35	532 10 21-01	Screw, Whiz-Lock 5/16-18 x 3-1/2
7	532 14 51-01	Shaft, Input	36	532 15 43-55	Sprocket Assembly w/Bearing (Includes Key Numbers 37 and 38)
8	532 12 47-92	Bearing, Needle	37	585 69 55-02	Bearing, Needle
9	532 15 44-67	Washer, Seal	38	532 15 43-56	Sprocket, Tine
10	532 12 46-97	Ball, Steel	39	532 10 53-45	Gear, Cluster, Red, 1st & 2nd
11	532 10 03-71	Spring, Shift, Fork	40	532 10 53-46	Gear, Reverse
12	532 10 61-60	O-Ring	41	532 00 83-58	Shaft, Reduction, 1st
13	532 14 21-45	Arm, Shift	42	532 00 42-20	Washer, Thrust
14	532 00 83-53	Fork, Shift	43	532 10 61-46	Spacer 1.01 x 1.75 x 0.760
15	812 00 00-39	Ring, Klip	44	532 15 52-36	Seal Assembly, Oil
16	532 15 44-66	Shaft, Shift	48	532 18 84-85	Gearcase, R.H., with Bearing (Includes Key Number 8)
18	532 00 43-58	Washer	49	532 43 14-85	Shaft, Tine
19	812 00 00-40	Ring, Klip	50	532 10 61-47	Chain, Roller #50-50 Pitch
20	532 10 21-14	Gear, Assembly, Reverse Idler (Includes Key Numbers 21 and 22)	51	817 06 04-08	Screw 1/4-20 x 1/2
21	532 10 21-15	Gear, Reverse Idler	52	873 22 05-00	Nut, Hex 5/16-18
22	532 00 68-03	Bearing, Needle	53	532 10 02-00	Bearing
23	532 10 21-11	Shaft, Reverse Idler	58	532 17 95-20	Bolt Shoulder 1/4-20 UNC x 7/8
24	810 04 07-00	Washer, Lock 7/16	60	532 18 32-26	Fitting, Grease
25	873 61 07-00	Nut, Hex 7/16-20	62	532 43 10-15	Spacer 1.015 x 1.50 x .650
27	532 43 12-19	Bearing, Shaft, Ground Drive, L.H.	--	532 00 60-66	Grease
29	532 10 21-34	Chain #35-50 Pitch			

**NOTE:** All component dimensions given in U.S. inches  
1 inch = 25.4 mm

**M<sup>c</sup>CULLOCH REAR TINE TILLER - MODEL NO. MRT6 (MFG. ID. NO. 96091002111)**  
**TINE SHIELD**



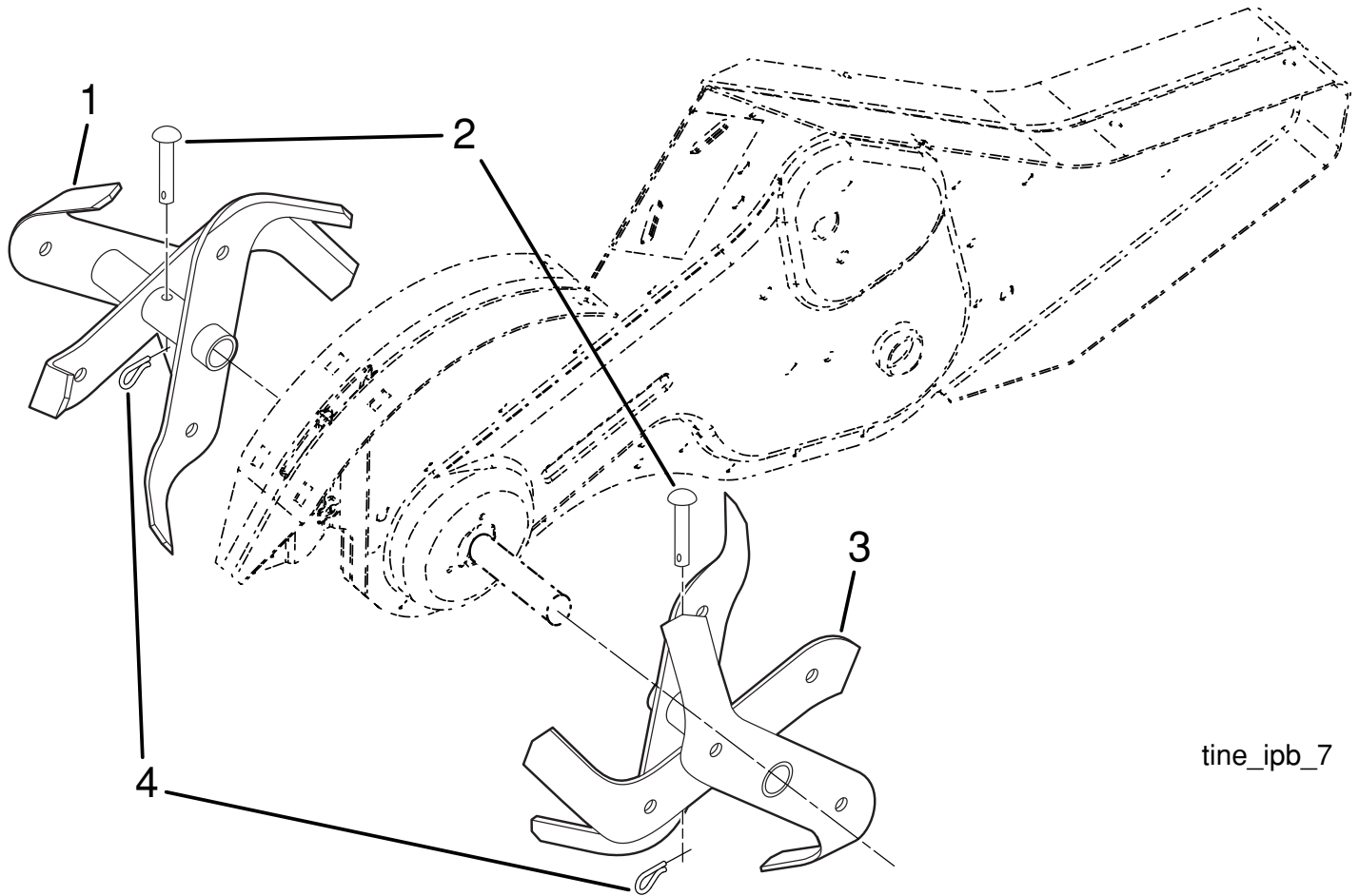
tine\_shield-rear\_2

KEY NO.	PART NO.	DESCRIPTION
1	532 15 53-77	Locknut, Hex, Flanged 5/16-18
2	532 19 57-97	Shield, Side, Outer, L.H.
3	532 00 83-93	Pin, Stake, Depth
4	812 00 00-35	Ring, Klip
5	532 18 08-47	Bolt, Carriage 5/16-18 x 3/4
6	532 00 83-94	Spring
7	581 85 08-01	Bracket, Latch
8	532 10 92-30	Spring, Depth Stake
9	532 19 58-10	Shield, Tine
13	872 11 05-10	Bolt, Carriage, Grade 5 5/16-18 x 1-1/4
14	<b>581 81 35-01</b>	Bracket, Shield Tine
15	532 19 57-96	Shield, Side, Outer, R.H.
16	873 90 04-00	Nut, Hex, Flanged 1/4-20 UNC
18	872 04 04-10	Bolt, Carriage, Grade 5 1/4-20 x 1-1/4
19	532 10 27-01	Grip
20	873 22 06-00	Nut, Hex 3/8-16
21	532 12 50-00	Stake, Depth

KEY NO.	PART NO.	DESCRIPTION
22	874 93 06-32	Bolt, Hex Head 3/8-16 x 2
23	532 00 44-40	Hinge
24	872 14 04-04	Bolt, Carriage, Grade 5 1/4-20 x 1/2
25	532 12 47-17	Cap, Vinyl
26	532 10 92-27	Pad, Idler
27	532 19 57-94	Shield, Leveling
28	532 12 05-88	Pin, Hinge
29	581 81 27-03	Shield, Side
30	532 18 03-55	Bolt, Carriage
31	873 97 05-00	Locknut, Hex, Flanged
32	873 22 04-00	Nut, Hex 1/4-20 UNC
33	810 04 04-00	Washer, Lock, Heavy Helical Spring 1/4
35	872 11 05-05	Bolt, Carriage 5/16-18 x 5/8
38	873 51 05-00	Nut, Hex, Keps 5/16-18 UNC
39	532 42 88-67	Bolt, Hex Head
40	532 18 11-56	Nut, Hex

**NOTE:** All component dimensions given in U.S. inches.  
 1 inch = 25.4 mm

**M<sup>c</sup>CULLOCH REAR TINE TILLER - MODEL NO. MRT6 (MFG. ID. NO. 96091002111)**  
**TINE ASSEMBLY**

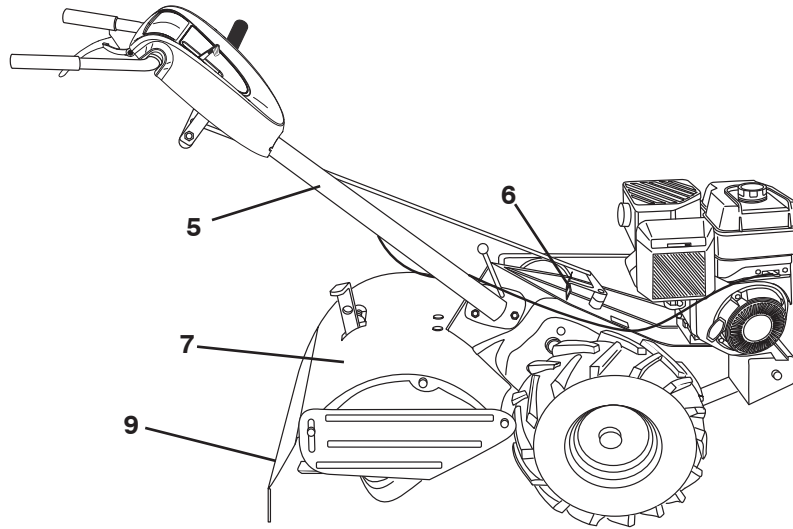
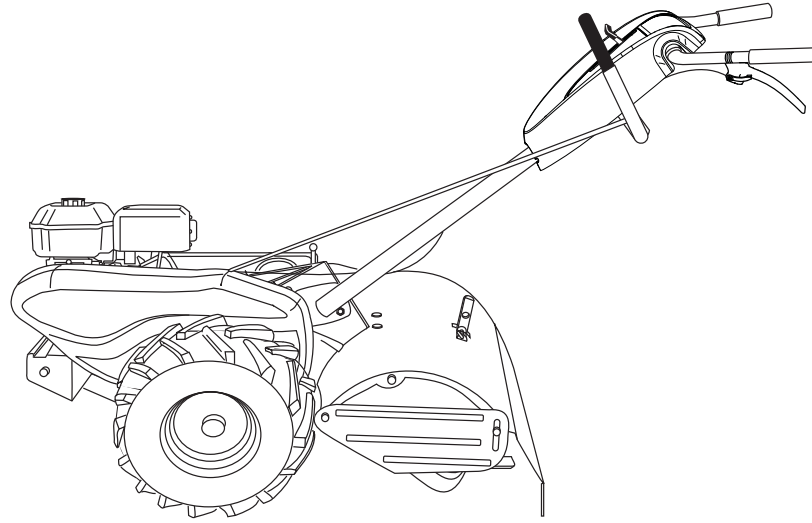


tine\_ipb\_7

KEY NO.	PART NO.	DESCRIPTION
1	584 14 51-02	Tine Assembly, L.H.
2	532 13 26-73	Clevis Pin
3	583 95 05-02	Tine Assembly, R.H.
4	532 12 46-60	Retainer, Spring, Zinc-Plated

**NOTE:** All component dimensions given in U.S. inches.  
1 inch = 25.4 mm

**M<sup>c</sup>CULLOCH REAR TINE TILLER - MODEL NO. MRT6 (MFG. ID. NO. 96091002111)  
DECALS**



KEY NO.	PART NO.	DESCRIPTION
5	532 15 98-77	Decal, Hand Placement
6	532 10 21-80	Decal, Shift Indicator
7	588 16 42-01	Decal, Euro, C.E.
9	532 17 65-57	Decal, Warning, Rotating Tines
--	580 42 71-40	Manual, Operator's, European
--	580 42 71-50	Manual, Operator's, Scandinavian
--	580 42 71-20	Manual, Operator's, East Bloc
--	580 42 71-30	Manual, Operator's, Baltic
--	580 42 71-01	Manual, Operator's, Ukranian