

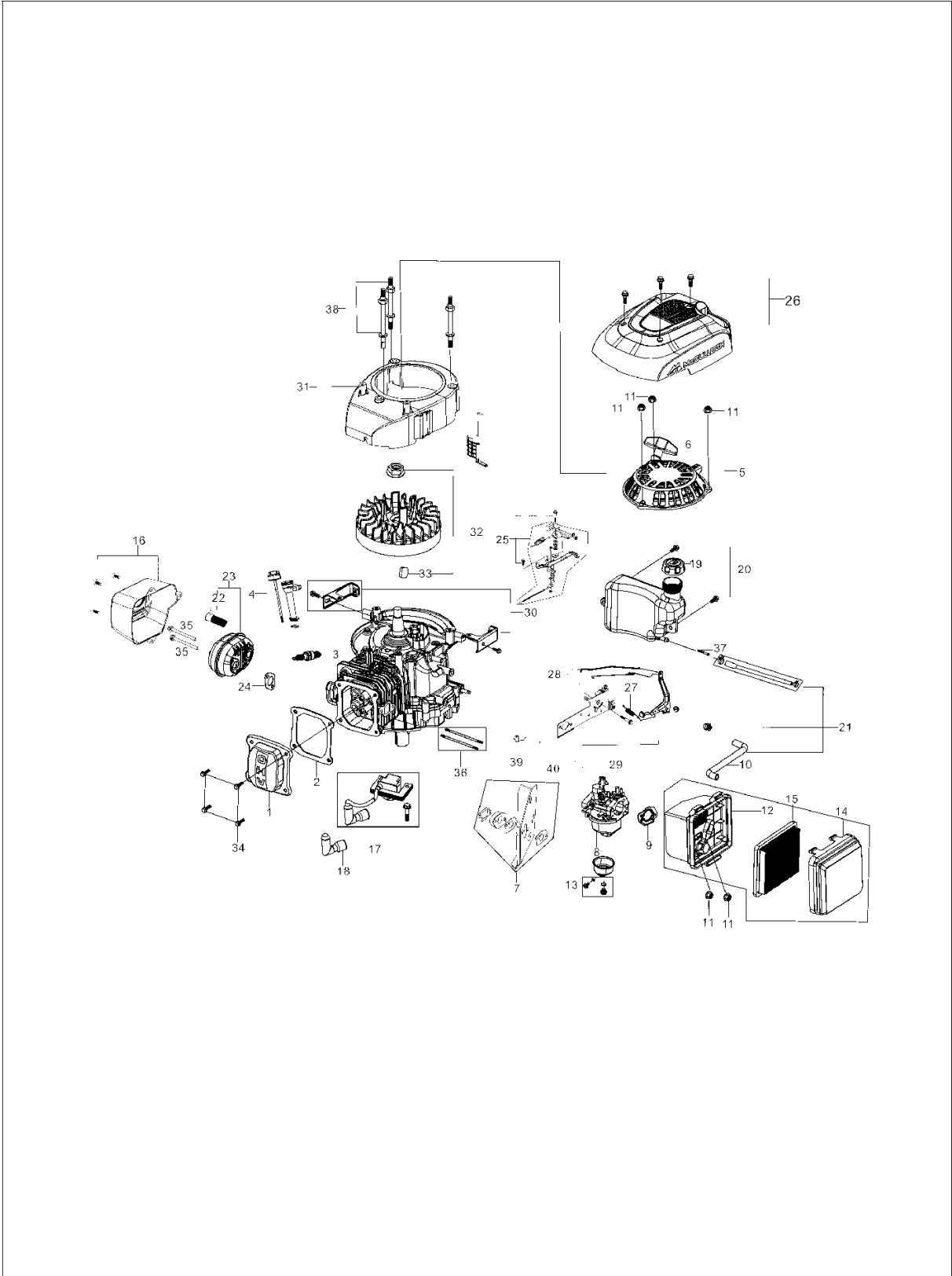


SPARE PARTS LIST

LAWN MOWERS: CONSUMER
WALK-BEHINDS

M51-170 WRPX, 96717260103, 2013-01

HUSQVARNA ITALIA SPA

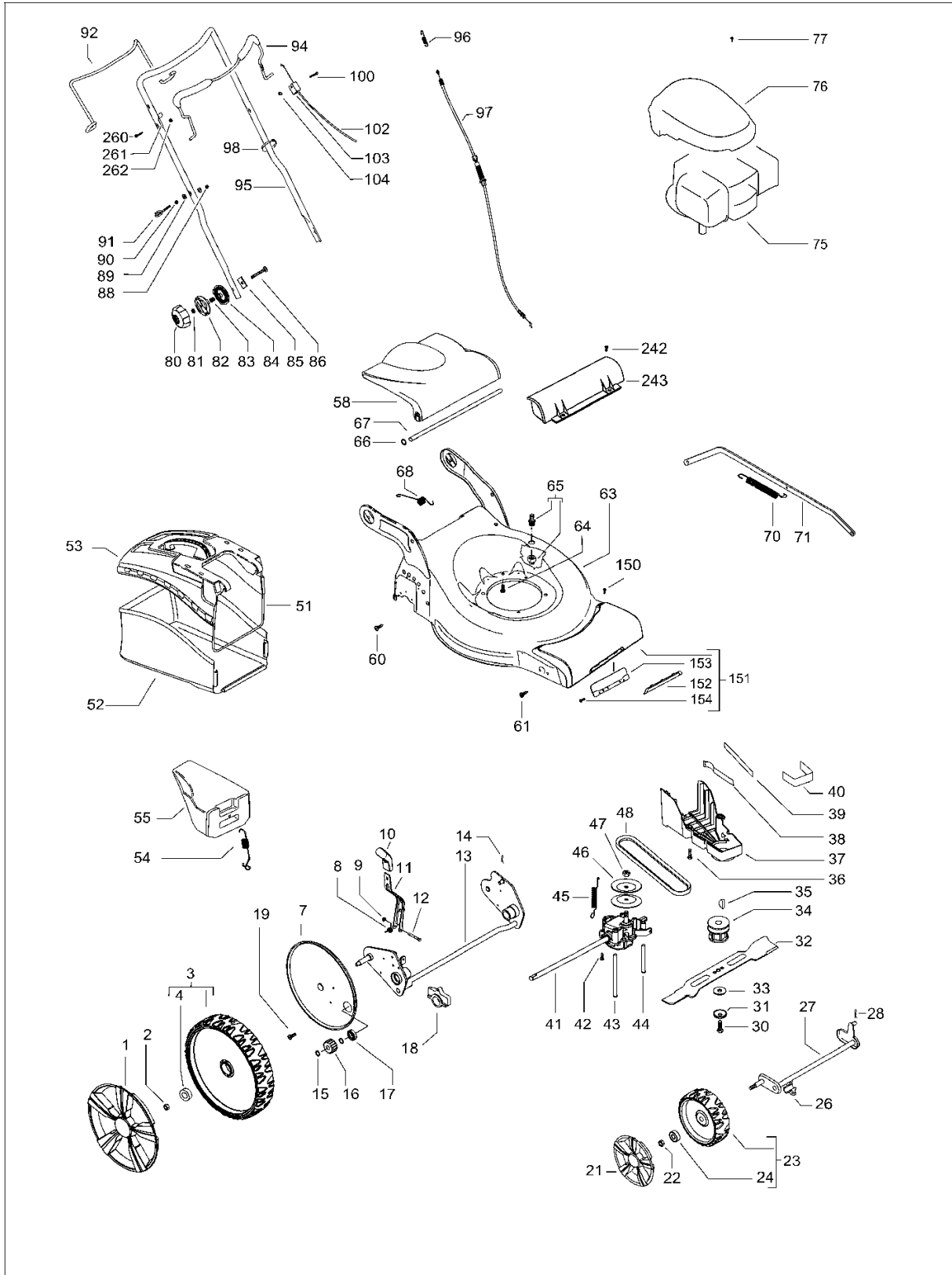


PRODUCT COMPLETE

M51-170 WRPX, 96717260103, 2013-01

Ref	Part No	Description	Remark	QTY KIT
1	532 43 75-56	COVER		1
2	532 43 75-57	GASKET		1
3	581 66 83-01	SPARK PLUG		1
4	581 85 62-01	DIPSTICK		1
5	581 66 35-01	STARTER		1
6	581 85 67-01	STARTER HANDLE		1
7	581 85 77-01	GASKET KIT		1
8	581 66 94-01	CARBURETTOR SYSTEM		1
9	581 67 01-01	GASKET		1
10	581 67 06-01	TUBE		1
11	532 43 75-68	NUT		3
12	581 67 20-01	AIR CLEANER		1
13	581 85 78-01	CARBURETTOR KIT		1
14	581 67 21-01	COVER		1
15	532 43 93-77	AIR FILTER		1
16	581 85 80-01	MUFFLER GUARD		1
17	581 85 81-01	IGNITION COIL ASSY		1
18	532 43 93-78	HUB CAP		1
19	532 43 75-75	COVER		1
20	532 43 75-76	FUEL TANK		1
21	581 85 82-01	HOSE KIT		1
22	581 85 72-01	SPARK ARRESTER		1
23	581 67 25-01	MUFFLER		1
24	581 67 26-01	GASKET		1
25	581 85 83-01	BRAKE ASSY		1
26	581 85 73-01	SHROUD		1
27	581 67 27-01	SPRING		1
28	581 85 85-01	LINKAGE		1
29	581 85 86-01	THROTTLE CONTROL		1
30	532 43 93-82	BRACKET		1
31	581 66 59-01	BLOWER HOUSING		1
32	581 85 84-01	FLYWHEEL ASSY		1
33	580 49 14-01	KEY		1
34	580 49 15-01	BOLT		4
35	580 49 17-01	STUD		2
36	581 67 32-01	STUD		2
37	580 49 18-01	FUEL FILTER		1
38	580 49 40-01	STUD		1
39	583 94 59-01	CHOKE		1
40	583 94 59-02	CHOKE		1
41	581 85 65-01	MAIN JET		1
42	581 85 88-27	MANUAL		1
43	581 85 89-01	ENGINE ASSY	without shroud (61mm-shaft)	1
44	581 85 89-02	ENGINE ASSY	without shroud (80mm-shaft)	1

HUSQVARNA ITALIA SPA



PRODUCT COMPLETE

M51-170 WRPX, 96717260103, 2013-01

Ref	Part No	Description	Remark	QTY KIT
1	574 39 66-01	HUB CAP		2
2	504 85 78-01	NUT		2
3	574 45 12-01	WHEEL ASSY		2
4	531 20 87-78	BEARING		4
7	504 53 99-01	HUB CAP		2
8	531 21 08-17	SPRING		1
9	531 20 84-92	NUT		1
10	580 46 24-01	KNOB		1
11	581 17 86-01	LEVER ASSY		1
12	538 23 58-07	SCREW		1
13	510 09 28-01	REAR AXLE		1
14	531 20 66-53	PIN RETAINING SCREW		1
15	531 20 87-72	WASHER		4
16	544 34 23-01	PINION		2
17	531 20 87-78	BEARING		2
18	531 20 59-44	SUPPORT		2
19	531 20 78-56	SCREW		4
21	574 39 64-01	HUB CAP		2
22	504 85 78-01	NUT		2
23	574 45 09-01	WHEEL ASSY		2
24	531 20 87-78	BEARING		4
26	577 38 42-01	SUPPORT		2
27	573 97 60-01	FRONT AXLE		1
28	531 20 66-53	PIN RETAINING SCREW		1
30	531 20 80-08	SCREW		1
31	531 20 72-37	WASHER		1
32	580 25 85-02	MOWER BLADE		1
33	531 20 72-43	WASHER		1
34	504 59 12-01	BLADE SUPPORT		1
35	531 20 74-32	KEY		1
36	531 20 78-56	SCREW		3
37	544 46 23-01	BELT GUARD		1
38	504 04 61-01	WEAR PROTECTION		1
39	544 46 25-01	WEAR PROTECTION		1
40	504 05 66-01	PROTECTION		1
41	504 54 14-03	GEAR BOX		1
42	510 03 75-01	SCREW		2
43	504 10 31-01	BELT GUIDE		1
44	544 93 43-01	BELT GUIDE		1
45	544 93 47-01	SPRING		1
46	504 54 79-01	PULLEY		2
47	504 54 80-01	NUT		1
48	504 10 33-01	BELT		1
51	531 21 35-88	BAG		1
52	577 58 66-05	GRASSBAG		1
53	577 87 67-01	BAG		1
54	531 21 11-91	SPRING		1
55	531 21 33-93	PLUG		1
58	544 25 55-01	HATCH		1
60	531 20 66-77	SCREW		2
61	525 43 31-01	SCREW		4
63	581 29 21-02	CHASSIS		1
64	531 21 28-51	SCREW		3
65	531 20 58-48	CONNECTOR		1
66	531 20 76-57	RETAINING RING		2
67	531 21 14-41	TIE ROD		1
68	531 21 18-40	SPRING		1
70	579 24 53-02	SPRING		1
71	580 96 32-01	ROD		1
75	.	TBD	engine, Rato, model number 10100-Z341610	1
76	580 29 06-01	SHROUD		1
77	580 77 53-01	SCREW ITXPANM		3
80	580 42 43-01	KNOB		2
81	531 20 49-22	WASHER		2

PRODUCT COMPLETE

M51-170 WRPX, 96717260103, 2013-01

Ref	Part No	Description	Remark	QTY KIT
82	531 21 14-74	SEGMENT		2
83	531 21 14-76	SPRING		2
84	531 21 14-73	SEGMENT		2
85	531 21 15-81	PLATE		2
86	581 25 95-01	SCREW RSQM		2
88	531 20 84-91	NUT		1
89	531 20 49-61	WASHER		2
90	531 20 71-65	NUT		1
91	531 20 51-69	PIN RETAINING SCREW		1
92	580 65 43-01	BAIL		1
94	580 84 91-04	BAIL		1
95	580 41 23-02	HANDLE		1
96	580 76 19-01	SPRING		1
97	544 90 80-05	CABLE		1
98	531 20 55-81	CLIP		2
100	580 83 36-01	SCREW EHHM		1
102	580 85 34-01	CABLE		1
103	531 20 80-43	BRACKET		1
104	581 55 12-01	HEXAGON LOCKING NUT		1
150	576 04 74-01	SCREW CRPANT		2
151	575 56 22-04	FRONT COVER ASSY		1
152	574 37 52-01	COVER		1
153	574 72 17-01	ATTACHMENT PLATE		1
154	575 95 57-01	SCREW ITXPANT		2
242	576 04 74-01	SCREW CRPANT		2
243	579 30 09-01	SEAL		1
260	580 83 36-02	SCREW EHHM		1
261	532 43 00-34	BRACKET		1
262	581 55 12-01	HEXAGON LOCKING NUT		1