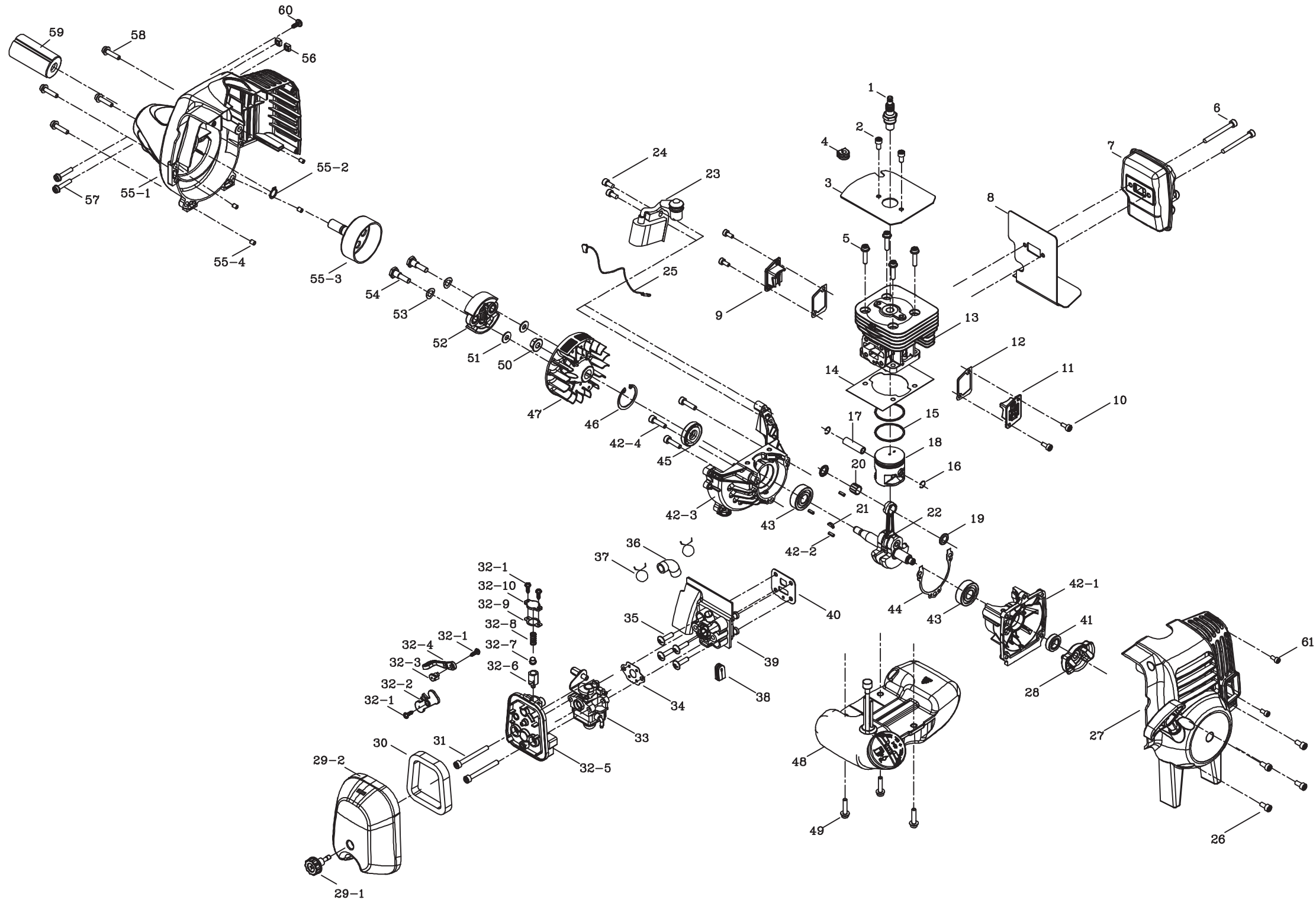


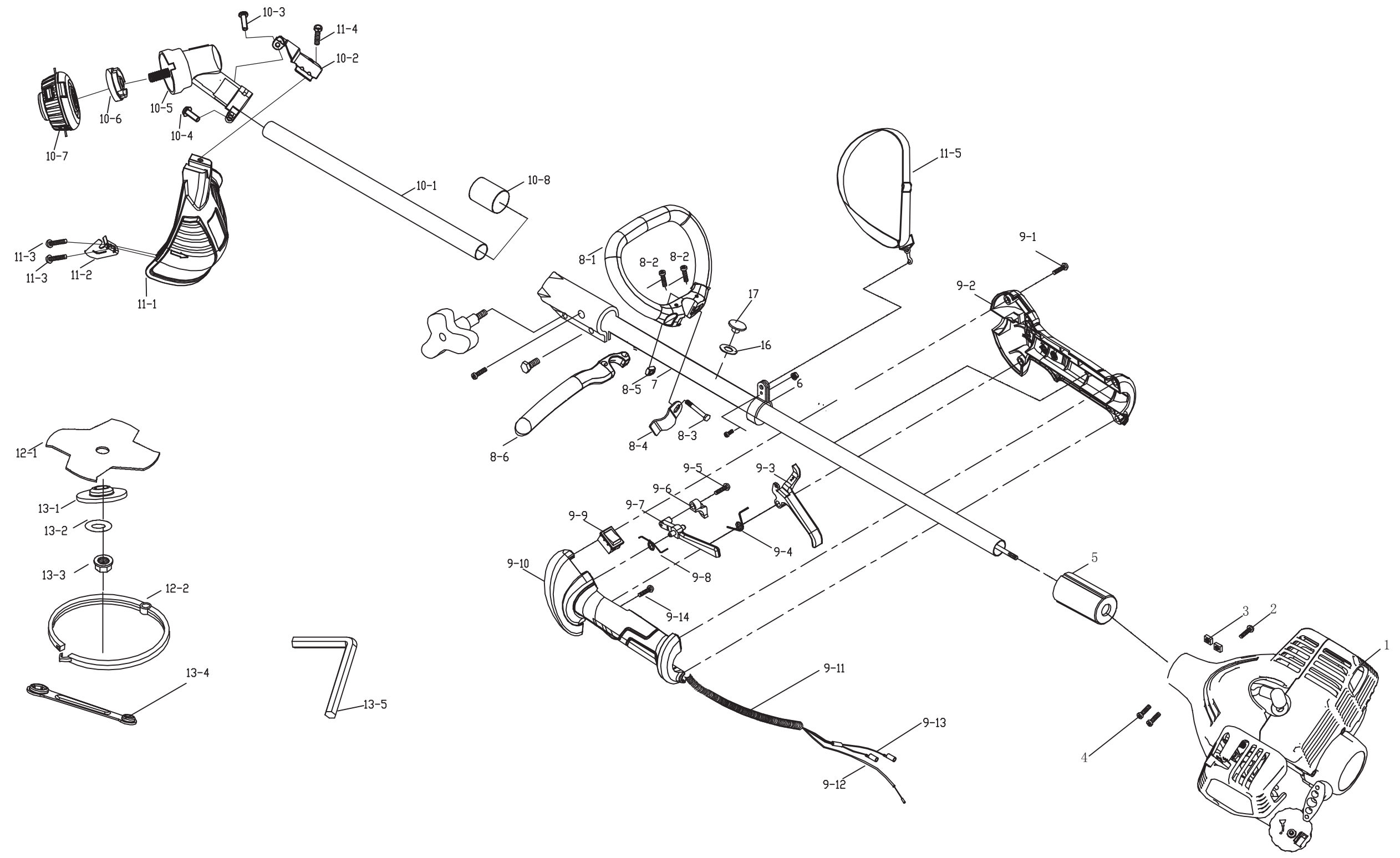
第三角法 THIRD ANGLE PROJECTION		公差等級表 TOLERANCE LIST	尺寸 等級	0~6 mm	6~30 mm	30~150 mm	150~ mm	角度 ANGLE	表面粗糙度 (ISO R1302) SURFACE TEXTURE (RA: μm)										版次 REVISION			
比例 SCALE			1	±0.06	±0.1	±0.2	±0.3	±0.25°	▽	▽▽	▽▽▽	▽▽▽▽								初版日期 1st REVISION		
			2	±0.1	±0.2	±0.3	±0.4	±0.5°	N12	N11	N10	N9	N8	N7	N6	N5	N4	N3	N2	N1		
			3	±0.2	±0.3	±0.45	±0.6	±1°	40	20	10	5.0	2.5	1.25	0.63	0.32	0.16	0.08	0.04	0.02		



表面處理 SURFACE TREAT						
材質 MATERIAL	頂次 NO.	料號 PART NO.	零件名稱 PART NAME	用量 Q'TY	規格/顏色 SPECIFIED OR COLOR	備註 REMARK
核准 APP'D BY	設計 DESIGN BY			品名 PART NAME	爆炸圖	單位: mm UNIT
審核 CHK'D BY	製圖 DRAWN BY			料號 PART NO.	9238-337310	頁碼
		檔案號碼	製圖日期	14/5/2010		



THIRD ANGLE PROJ



						 HUSQVARNA SHANGHAI INC.		
						爆炸图		
标记	外数	分区	更改文件号	签名	年月日	阶段标记	重量	比例
设计			标准化					
审核						共 1 张 第 1 张		
工艺						批准		
						MT305CPS		

Engine Ass'y

9238-337310

PARTS LIST

Date:2012/05/14

No.	Parts No.	Husqvarna part no.	Description	Q
1	9295-310503	5784102-01	SPARK PLUG	1
2	9SGEB-05-10	575306601	SCREW	2
3	9211-336202	575306701	PLATE(SPARK SIDE)	1
4	9012-330301	575306801	GROMMET	1
5	9SRCB-05-22	575306901	SCREW	4
6	9SXMBJ05-50	575307001	SCREW	2
7	9228-334503	576537101	MUFFLER ASY	1
8	9211-336201	575307201	MUFFLER PLATE	1
9	9017-334501	576537401	COVER (FLYWHEEL SIDE)	1
10	9SKKB-04-10	574221301	SCREW	4
11	9017-334502	576537501	COVER (STARTER SIDE)	1
12	9014-334507	576537601	GASKET	2
13	9292-337301F	576818701	CYLINDER	1
14	9014-336201	575307801	GASKET	1
15	9189-334501	576537901	PISTON RING	2
16	9131-334501	575308101	CIRELIP	2
17	9115-334501	576538001	PISTON PIN	1
18	9290-334501	576538101	PISTON	1
19	9067-334501	575308201	AXIS COVER	2
20	9NR-KV9129.8	575308401	NEEDLE BEARING	1
21	6221-830301	574727901	KEY	1
22	9228-334502	575308601	CARNK/ROD ASY	1
23	9288-334701	578 30 35-01	IGNITION COIL	1
24	9SGEB-05-20	574724801	SCREW	2
25	9010-332102	575313401	COIL WIRE	1
26	9SGKB-05-12.5	575308901	SCREW	4
27	9228-337317	5810385-01	STARTER HOUSING ASY	1
28	9228-MD0107	575311601	PAWLS ASY	1
29-1	9134-334501	575309301	SCREW	1
29-2	9017-320906	5810319-01	FILTER COVER	1
30	9183-334501	575309501	FILTER	1
31	9SGEB-05-62	578 30 39-01	SCREW	2
32	9228-336216	575309701	FILTER ASY	1
32-1	6SLABB03-10	575309801	SCREW	4
32-2	9263-336201	575309901	CHOKE PLATE	1
32-3	9263-336203	575310001	CHOKE DRIVER	1
32-4	9263-336202	575310101	CHOKE LEVEL	1
32-5	9017-336207	575310201	FILTER SUPPORT	1
32-6	9188-336202	575310301	FILTER SHAFT	1

32-7	9188-336201	575310401	FILTER SPRING BRACKET	1
32-8	9024-336204	575310501	FILTER SPRING	1
32-9	9014-336204	575310601	FILTER AIR COVER GASKET	1
32-10	9123-336201	575310701	FILTER AIR COVER	1
33	578388901	578388901	CARBURETOR	1
34	9014-GP0104	575310901	CARBURETOR GASKET	1
35	9SKKB-05-19	575311001	SCREW	4
36	9129-336201	575311101	FILTER PIPE	1
37	9024-336206	575311201	FILTER PIPE CLAMP	2
38	9012-334501	575311301	GROMMET	1
39	9072-336202	575311401	INSULATOR	1
40	9014-334506	575311501	SEAL	1
41	9157-332101	574222101	INSULATOR GASKET	1
42	9228-340103	575311701	CRANKCASE ASY	1
42-1	9151-340101F	578 30 40-01	CRANKCASE (STARTER SIDE)	1
42-2	9PA-03-08S	574726401	PIN	3
42-3	9151-334501F	579 30 40-02	CRANKCASE(FLYEHWEEL SIDE)	1
42-4	9SKKZ-05-18	578 30 39-02	SCREW	1.5
43	9DB-620101	574726601	BEARING	2
44	9014-334502	575311901	GASKET(CRANKCASE SIDE)	1
45	9157-334501	575312101	SEAL	1
46	9CB-32	575312001	C RING	1
47	9169-336201	575312201	FLYWHEEL	1
48	9228-334506	575312301	FUEL TANK ASY	1
49	9SKKBY05-18	575313301	SCREW	3
50	9NHC-08	574223401	NUT	1
51	9WFB-06-15	575313501	WASHER	2
52	9176-GP0101	575313601	CLUTCH(WITH SPRING)	1
53	9WWB-08	575313701	WAVE PLATE	2
54	9214-GP0101	575313801	SCREW	2
55	9228-337330	5810386-01	FRONT ENGINE COVER ASS'Y	1
55-1	9017-337316	5810387-01	FRONT ENGINE COVER	1
55-2	6CC-12	575314101	C RING	1
55-3	9294-336401	575314301	BRAKE BOWL	1
55-4	9124-334501	575314201	COPPER BUSH	4
56	9NDB-05	575304001	NUT	2
57	6SDABM05-25	574316801	SCREW	2
58	9SKKB-05-16	578 30 39-03	SCREW	4
59	9027-332101	575304101	REDUCTION	1
60	9SGKBY10/24-0.625	574317001	SCREW	1
61	6SDABB04-12	574317601	SCREW	2

30cc Trimmer

MT305 CPS

PARTS LIST

Date:2012/05/14

No.	Parts No.	Husqvarna part no.	Description	Q'ty
1	9238-337310	5810388-01	ENGINE ASY	1
2	6NDB-05	575304001	nut	1
3	9SDABM05-25	574316801	screw	1
4	9SGKBY10/24-0.625	574317001	Screw	1
5	9027-332101	575304101	screw	1
6	9228-330346	574326101	Ring ASY	1
7	9228-336336	5810382-01	Housing ASY	1
8	576008601	5760086-01	HANDLE ASS'Y	1
8-1	545074201	5450742-01	Hand Assit	1
8-2	530015952	5300159-52	BOLT	2
8-3	530015820	5300158-20	BOLT	1
8-4	530059185	5300591-85	Clamp Assist Handle	1
8-5	530015197	5300151-97	NUT	1
8-6	545144201	5451442-01	J Bar	1
9	9228-GP0521	5810346-01	HOUSING, HANDLE ASS'Y	1
9-1	6SDABB04-12	5743176-01	SCREW	4
9-2	9068-336202	5753043-01	HOUSING, HANDLE	1
9-3	9028-336212	5810359-01	TRIGGER	1
9-4	9024-336203	5753045-01	SPRING	1
9-5	6SLABB3.5-10	5743186-01	SCREW	1
9-6	9176-336201	5753046-01	INSURANCE CHUNK	1
9-7	9176-336212	5810365-01	INSURANCE GAN	1
9-8	9024-336202	5753048-01	SPRING	1
9-9	9022-330502	5743187-01	SWITCH	1
9-10	9068-336201	5753049-01	HOUSING, HANDLE	1
9-11	9059-332101	5753050-01	HOSE	1
9-12	9010-GP0501	5753052-01	THROTTLE CABLE	1
9-13	9010-332103	5753051-01	WIRE ASS'Y,SWITCH	1
9-14	6SLABB03-06	5753053-01	SCREW	1
10	5760295-04	5760295-04	HOUSING ASS'Y	1
10-1	5756165-04	5756165-04	Shaft Asy	1
10-2	5451507-01	5451507-01	Assist Shield bracket	1
10-3	5300157-75	5300157-75	screw	1
10-4	5300160-14	5300160-14	screw	1
10-5	5748097-01	5748097-01	Gear Housing Asy	1
10-6	5300958-15	5300958-15	Dust Cap	1
10-7	5374192-11	5374192-11	Trimmer Head	1
10-8	9105-330301	575306401	plug	1

11	5760088-01	5760088-01	Cover Asy	1
11-1	5747648-01	5747648-01	Cover	1
11-2	5300522-86	5300522-86	Kit, Knife	1
11-3	5300158-14	5300158-14	screw	2
11-4	5300157-71	5300157-71	screw	1
11-5	9149-330301	5767897-01	GALLUS	1
12	5762330-02	5762330-02	Blade Asy	1
12-1	5757256-02	5757256-02	Blade, Brush 4tooth	1
12-2	9015-330601	574317201	Guard, Cutting Blade	2
13	5762331-01	5762331-01	Assy Warranty Bag	1
13-1	5300958-16	5300958-16	Washer Blade Retaier	1
13-2	5300162-40	5300162-40	Washer	1
13-3	5300157-93	5300157-93	Flange Hex Nut	1
13-4	5300564-01	5300564-01	Wrench	1
13-5	5768094-01	5768094-01	Wrench	1