

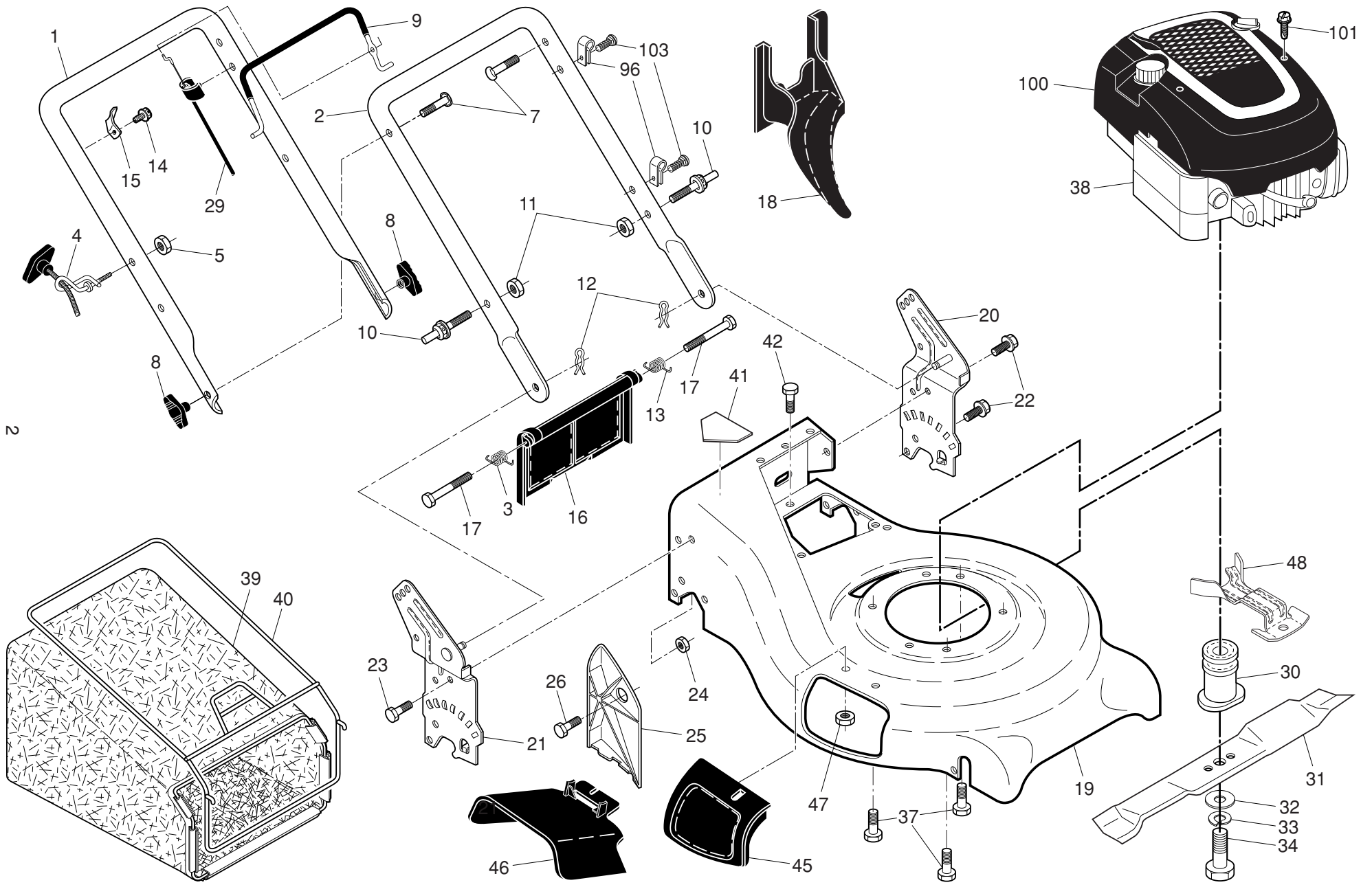
ILLUSTRATED PARTS LIST

MODEL NUMBER M53-190R

PRODUCT NUMBER 961 41 02-69

MFG. ID. NUMBER 96141026900

McCULLOCH ROTARY LAWN MOWER - MODEL NO. M53-190R (96141026900) PRODUCT NO. 961 41 02-69



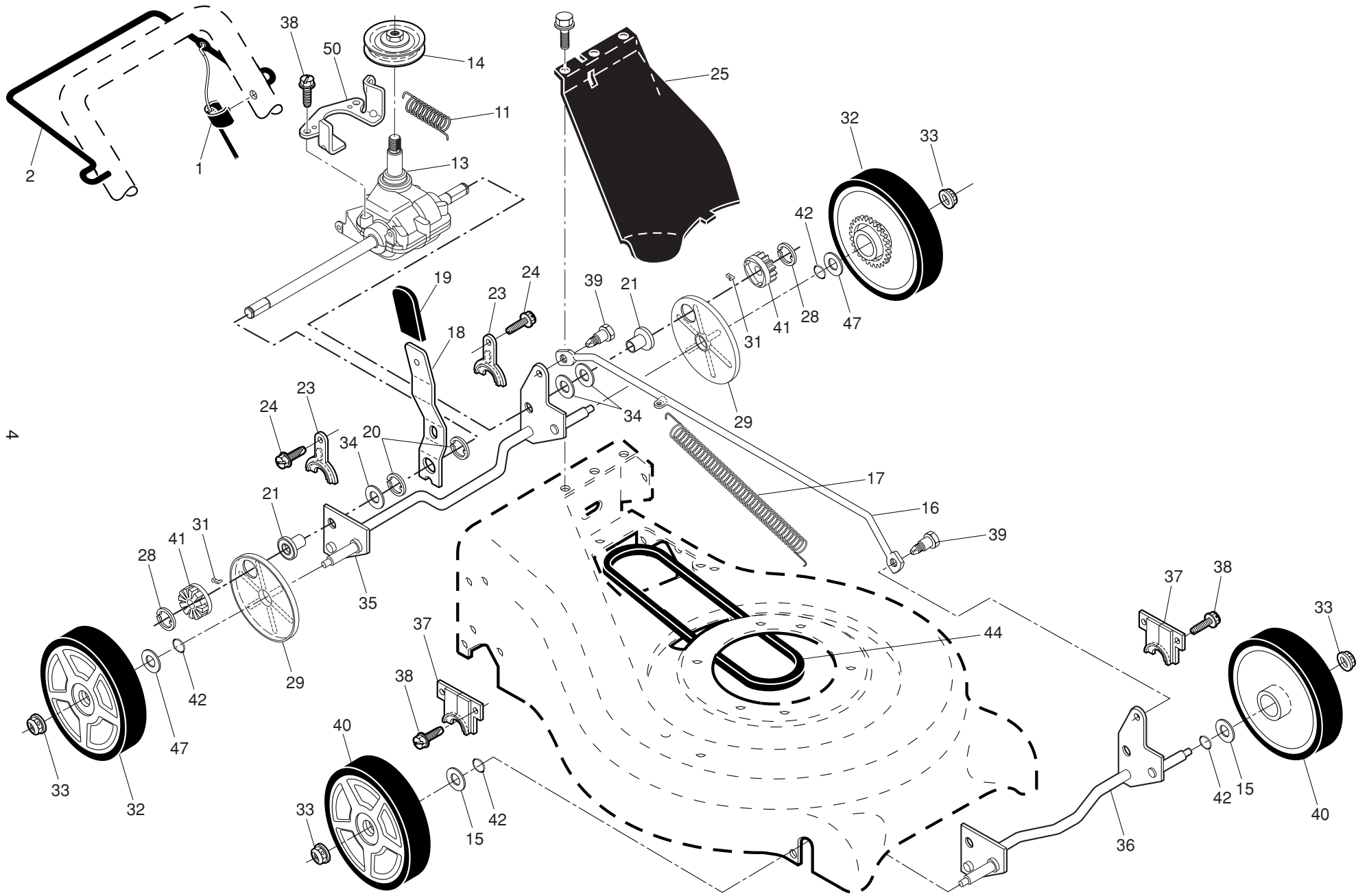
McCULLOCH ROTARY LAWN MOWER - MODEL NO. M53-190R (96141026900) PRODUCT NO. 961 41 02-69

KEY NO.	PART NO.	DESCRIPTION	KEY NO.	PART NO.	DESCRIPTION
1	580 63 87-02	Handle, Upper	29	532 44 03-86	Cable, Operator Presence
2	532 19 60-05	Handle, Lower	30	532 42 11-76	Adapter, Blade
3	532 40 54-16	Spring, Rear Door, RH	31	532 19 93-77	Blade, 21"
4	532 19 47-88	Guide, Rope, Side	32	532 85 10-74	Washer, Hardened
5	532 13 20-04	Nut, Hex, with Lockwasher Insert 1/4-20	33	532 85 02-63	Lockwasher, Helical Spring 3/8
7	532 19 15-74	Bolt, Handle 5/16-18 x 1.75	34	532 85 10-84	Screw, Hex Head 3/8-24 x 1.38
8	532 19 19-38	Knob, Handle	37	532 15 04-06	Bolt, Engine
9	580 84 91-04	Control Bar, Molded	38	- - -	Engine, Briggs & Stratton, Model Number 122T02-1614-H1 (Order parts from B&S)
10	532 18 88-21	Bolt, Carriage	39	581 00 29-05	Bag, Grass Catcher
11	532 75 11-53	Nut, Hex, with Lockwasher Insert 5/16-18 UNC	40	532 41 19-51	Frame, Grass Bag
12	532 05 17-93	Cotter, Hairpin	41	532 18 21-66	Decal Danger
13	532 40 54-15	Spring, Rear Door, LH	42	817 06 04-10	Screw, Self Tapping
14	532 17 88-48	Screw, Self-Tapping, Hex Washer Head #10-16 x 5/8	45	532 19 13-41	Mulcher Door
15	532 43 00-34	Bracket, Upstop	46	532 19 12-10	Discharge Deflector
16	532 40 88-88	Rear Door Assembly	47	532 08 83-49	Nut, Hex
17	532 18 41-93	Bolt, Rear Door	48	532 42 90-01	Belt Keeper
18	532 19 81-70	Plug, Mulcher	96	532 19 79-91	Clip, Cable
19	532 40 97-33	Kit, Lawn Mower Housing Assembly	100	580 27 36-01	Shroud, Engine, McCulloch
20	532 19 40-29	Handle Bracket Assembly, LH	101	581 79 50-01	Mounting Screw, Engine Shroud
21	532 19 40-31	Handle Bracket Assembly, RH	103	532 42 81-91	Fastener, Push
22	532 42 88-67	Screw, Hex Washer Head	--	532 18 21-24	Warning Decal (not shown)
23	532 16 31-83	Bolt, Hex Head 5/16-18 x 5/8	--	115 50 63-20	Operator's Manual, European
24	873 80 05-00	Nut, Hex, with Lockwasher Insert 5/16-18	--	115 50 63-10	Operator's Manual, Scandinavian
25	532 16 13-33	Baffle, Side	--	115 50 63-50	Operator's Manual, East Bloc
26	532 16 34-09	Screw, Hi-Lo Thread #12 x 5/8	--	115 50 63-40	Operator's Manual, Baltic

NOTE: All component dimensions given in U.S. inches. 1 inch = 25.4 mm

IMPORTANT: Use only Original Equipment Manufacturer (O.E.M.) replacement parts. Failure to do so could be hazardous, damage your lawn mower and void your warranty.

McCULLOCH ROTARY LAWN MOWER - MODEL NO. M53-190R (96141026900) PRODUCT NO. 961 41 02-69



4

McCULLOCH ROTARY LAWN MOWER - MODEL NO. M53-190R (96141026900) PRODUCT NO. 961 41 02-69

KEY NO.	PART NO.	DESCRIPTION	KEY NO.	PART NO.	DESCRIPTION
1	581 07 68-01	Drive Control Assembly (Includes Cable)	28	812 00 00-58	E-Ring 7/16
7	580 65 93-02	Control Bar, Drive	29	581 84 04-01	Cover, Dust, Wheel
11	532 40 65-58	Spring, Return	31	532 40 48-45	Pawl, Drive
13	532 41 92-13	Gearcase Assembly, Complete	32	581 68 55-05	Wheel & Tire Assembly, Rear, Driven
14	532 40 57-03	Pulley, Driven	33	532 40 91-48	Nut, Hex, Flangelock
15	532 08 83-48	Washer, Flat 3/8	34	532 85 12-26	Washer
16	532 40 71-47	Rod, Connecting	35	532 41 09-22	Shaft Assembly, Rear
17	532 40 96-16	Spring, Extension	36	532 41 09-33	Shaft Assembly, Front
18	532 41 88-66	Spring, Selector	37	532 16 14-63	Retainer, Front Shaft
19	532 19 00-69	Knob, Selector Spring	38	532 16 34-09	Screw, Hi-Lo Thread #12 x 5/8
20	812 00 00-22	E-Ring 7/8	39	532 40 70-59	Bolt, Shoulder, Semi-Gimlett Point
21	532 40 48-38	Bearing Assembly	40	581 00 94-05	Wheel & Tire Assembly, Front
23	532 16 45-55	Retainer, Drive Assembly	41	532 40 48-35	Pinion Assembly
24	817 06 04-10	Screw, Self-Tapping, Hex Head 1/4-20 x 5/8	42	532 19 74-80	O-Ring
25	532 43 26-71	Drive Cover Assembly (Includes Mounting Screw and Pushnut)	44	532 40 65-57	V-Belt
			47	532 06 77-25	Washer 1/2 x 1-1/2 x .134
			50	532 41 37-22	Belt Keeper

NOTE: All component dimensions given in U.S. inches. 1 inch = 25.4 mm

IMPORTANT: Use only Original Equipment Manufacturer (O.E.M.) replacement parts. Failure to do so could be hazardous, damage your lawn mower and void your warranty.