

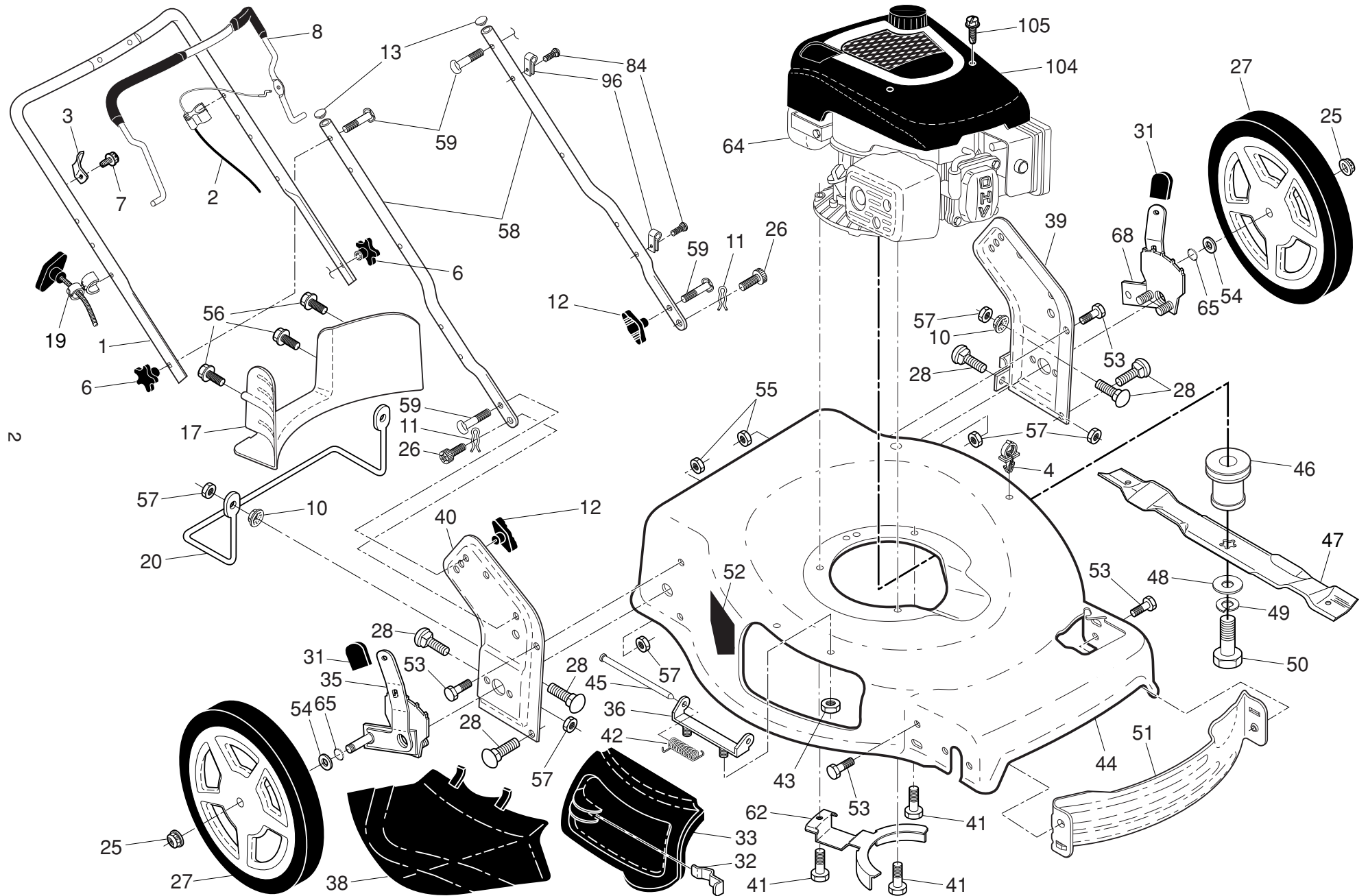
ILLUSTRATED PARTS LIST

MODEL NUMBER M56-170WFPX

PRODUCT NUMBER 961 21 00-23

MFG. ID. NUMBER 96121002300

ROTARY LAWN MOWER - - MODEL NUMBER M56-170WFPX (96121002300) PRODUCT NO. 961 21 00-23



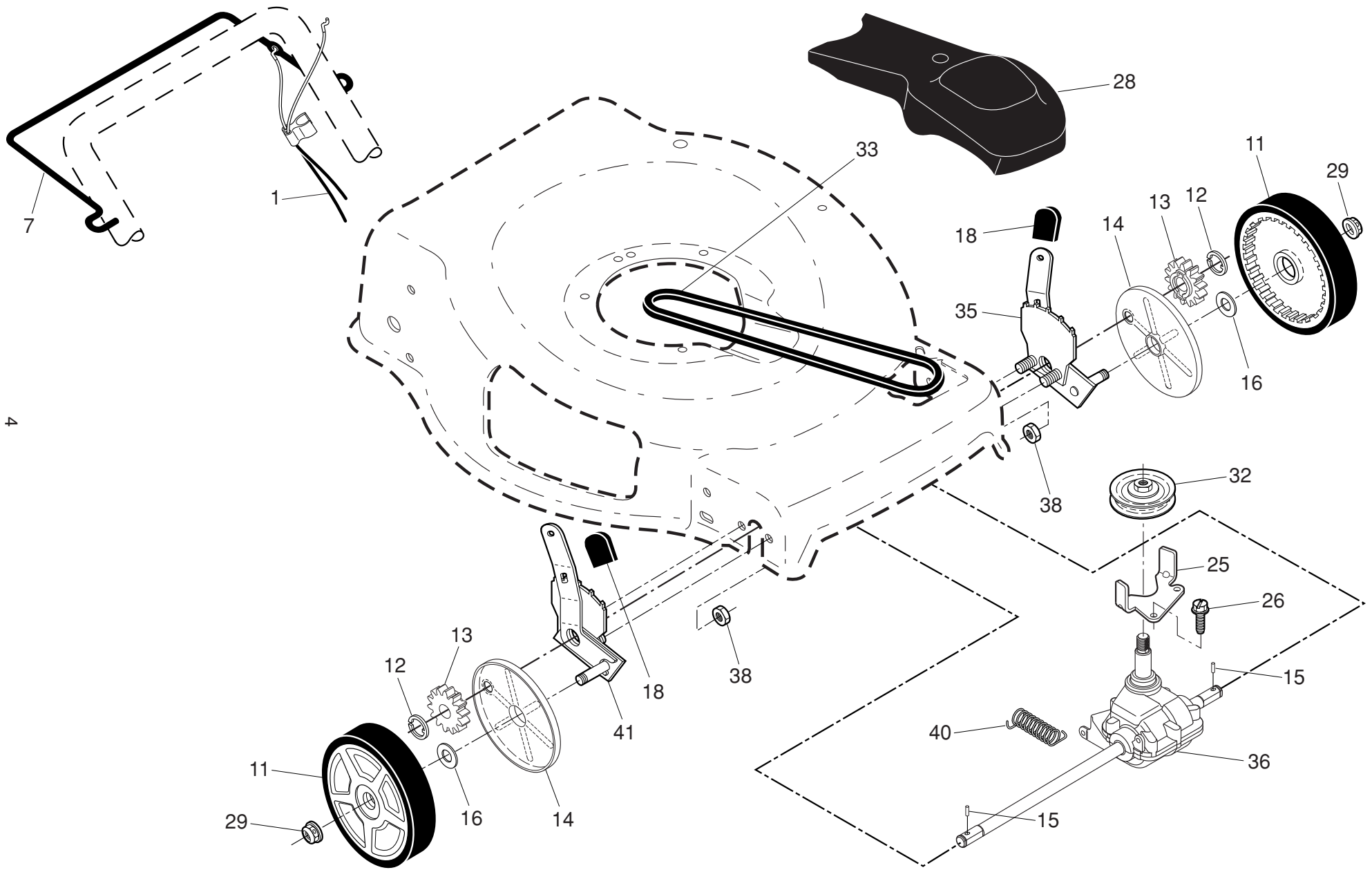
ROTARY LAWN MOWER - - MODEL NUMBER M56-170WFPX (96121002300) PRODUCT NO. 961 21 00-23

KEY NO.	PART NO.	DESCRIPTION	KEY NO.	PART NO.	DESCRIPTION
1	580 63 87-02	Upper Handle	45	532 17 56-50	Rod, Hinge
2	532 42 40-33	Cable, Engine Zone Control	46	532 42 17-82	Blade Adapter / Pulley
3	532 43 00-34	Bracket, Upstop	47	580 24 40-01	Blade, 22"
4	532 14 50 06	Guide, Cable	48	532 85 10-74	Washer, Hardened
6	532 18 23-98	Handle Knob, Star	49	532 85 02-63	Washer, Helical
7	532 17 88-48	Screw, Hex Washer Head #10-16 x 5/8	50	532 85 10-84	Screw, Machine, Hex Head 3/8-24 x 1-3/8 Grade 8
8	580 84 91-04	Control Bar			
10	532 42 30-63	Palnut 5/16"	51	532 43 05-99	Front Baffle
11	532 42 55-75	Hairpin, Cotter	52	532 18 21-66	Decal, Danger
12	532 44 50-19	Handle Knob, Standard	53	817 00 05-10	Screw 1/4-20 x 1/2
13	532 43 75-16	Plug, Handle Bar	54	532 08 83-48	Washer, Flat
17	532 42 73-07	Rear Baffle	55	532 19 17-30	Nut, Hex, Flanged 1/4-20
19	578 39 93-01	Rope Guide	56	817 41 13-12	Screw, Hex Washer Head #13 x 3/4
20	532 42 24-67	Foot Guard	57	873 97 05-00	Nut, Hex 3/8-16
25	532 40 91-49	Nut, Hex, Flanged	58	532 44 11-96	Lower Handle
26	532 41 99-45	Screw, Door/Handle Pivot	59	532 19 15-74	Handle Bolt
27	581 01 03-05	Wheel & Tire Assembly, Rear	62	532 43 50-59	Belt Retainer
28	872 27 05-05	Bolt, Carriage 5/16-18 x 5/8	64	581 04 40-01	Engine, Rato, Model Number RV170 (See Breakdown)
31	532 08 78-77	Selector Knob			
32	532 44 11-92	Latch, Mulcher Door	65	532 19 74-80	O-Ring
33	532 43 26-42	Mulcher Door	68	532 43 11-41	Kit, Wheel Adjuster, Rear, LH
35	532 43 11-40	Kit, Wheel Adjuster, Rear, RH	84	532 42 81-24	Fastener, Push
36	532 17 57-35	Hinge Bracket Assembly	96	532 19 79-91	Clip, Cable
38	532 42 61-29	Discharge Deflector	104	580 29 06-01	Shroud, Engine, McCulloch
39	532 44 25-30	Handle Bracket, LH	105	580 77 53-01	Mounting Screw, Engine Shroud
40	532 44 05-27	Handle Bracket, RH	--	532 18 21-34	Decal, Warning (not shown)
41	532 15 04-06	Screw, Dogpoint 3/8-16 x 1-1/8	--	115 49 96-20	Operator's Manual, European
42	532 19 30-00	Spring, Torsion	--	115 49 96-10	Operator's Manual, Scandinavian
43	532 19 17-30	Nut, Hex, Nylock	--	115 49 96-50	Operator's Manual, East Bloc
44	581 06 21-01	Kit, Lawn Mower Housing	--	115 49 96-40	Operator's Manual, Baltic

NOTE: All component dimensions given in U.S. inches. 1 inch = 25.4 mm

IMPORTANT: Use only Original Equipment Manufacturer (O.E.M.) replacement parts. Failure to do so could be hazardous, damage your lawn mower and void your warranty.

ROTARY LAWN MOWER - - MODEL NUMBER M56-170WFPX (96121002300) PRODUCT NO. 961 21 00-23



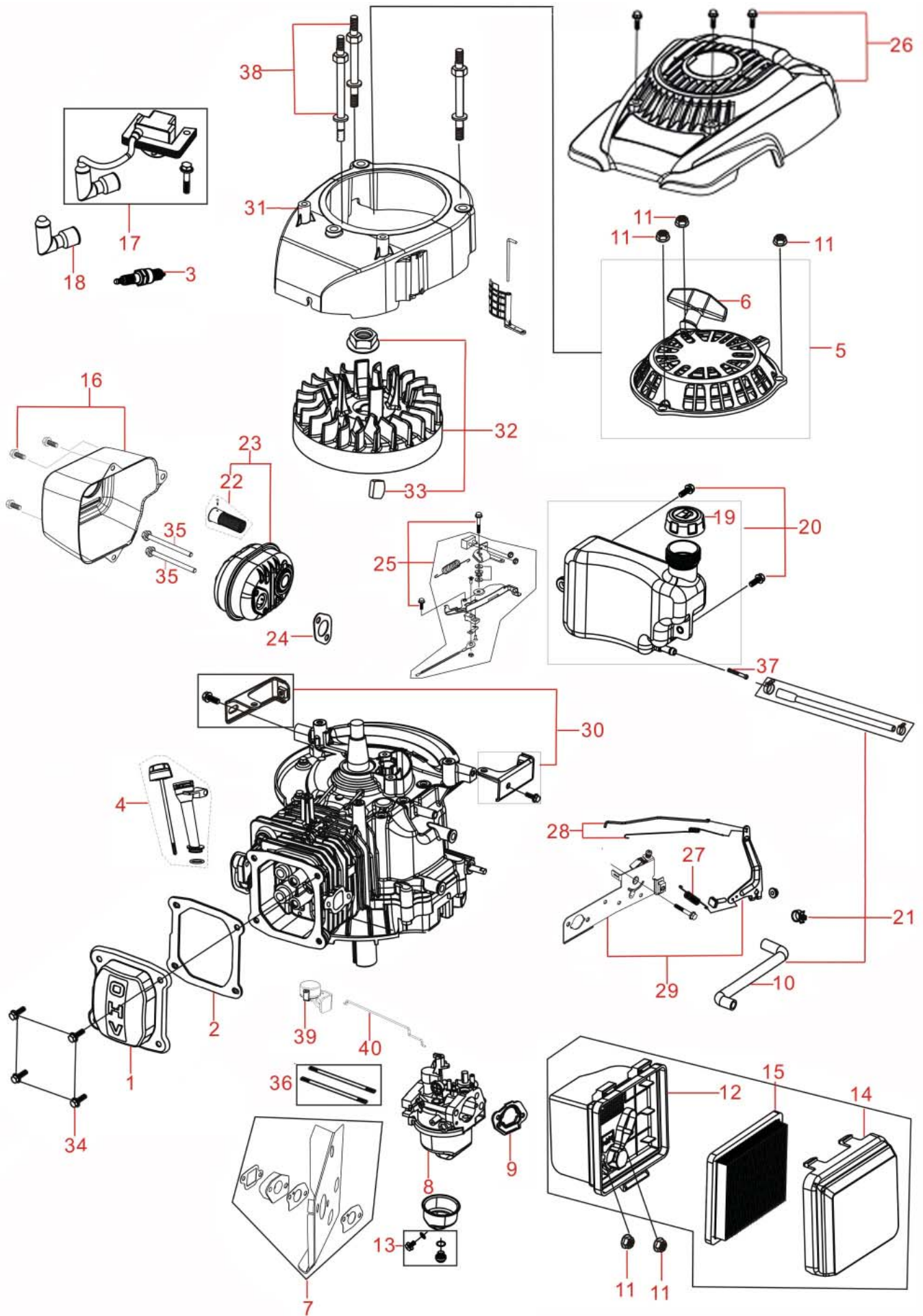
ROTARY LAWN MOWER - - MODEL NUMBER M56-170WFPX (96121002300) PRODUCT NO. 961 21 00-23

KEY NO.	PART NO.	DESCRIPTION
1	581 07 67-01	Drive Control Assembly (Includes Cable)
7	580 65 93-02	Control Bar, Drive
11	581 00 92-05	Wheel & Tire Assembly, Front
12	812 00 00-58	E-Ring
13	532 40 38-49	Pinion
14	532 18 94-03	Dust Cover
15	532 40 48-45	Pawl, Drive
16	532 06 77-25	Washer, Flat 3/8
18	532 08 78-77	Selector Knob
25	532 43 17-11	Belt Keeper
26	532 16 34-09	Screw, Hi-Lo Thread #12 x 5/8
28	580 99 20-01	Drive Cover Assembly (Includes Mounting Screw and Pushnut)
29	532 40 91-48	Locknut, Hex
32	532 44 32-62	Drive Pulley
33	532 19 68-53	V-Belt
35	532 43 11-44	Kit, Wheel Adjuster, Front, LH
36	532 42 47-41	Gear Case Assembly, Complete
38	532 19 17-30	Locknut, Hex 1/4-20
40	532 40 65-58	Spring
41	532 43 11-42	Kit, Wheel Adjuster, Front, RH

NOTE: All component dimensions given in U.S. inches. 1 inch = 25.4 mm

IMPORTANT: Use only Original Equipment Manufacturer (O.E.M.) replacement parts. Failure to do so could be hazardous, damage your lawn mower and void your warranty.

RATO ENGINE - - MODEL NUMBER RV-170 (PART NUMBER 581 04 40-01)



RATO ENGINE - - MODEL NUMBER RV-170 (PART NUMBER 581 04 40-01)

KEY NO.	PART NO.	DESCRIPTION	KEY NO.	PART NO.	DESCRIPTION
1	532 43 75-56	Cover, Valve Cover	26	580 29 06-01	Shroud, Engine (Includes M5 Bolt)
2	532 43 75-57	Gasket, Valve Cover		581 85 74-01	Shroud, Engine (Without M5 Bolt)
3	581 66 83-01	Plug, Spark	27	581 67 27-01	Spring, Governor
4	581 85 62-01	Dipstick, Oil	28	581 85 85-01	Throttle Linkage (Consists of: Governor Rod and Throttle Return Spring)
5	581 66 35-01	Recoil Starter Assembly (with Hardware)	29	581 85 86-01	Throttle Control Assembly (Consists of: Governor Control Bracket and Mounting Plate)
6	581 85 67-01	Recoil Strater Handle (without Rope)	30	532 43 93-82	Fuel Tank Bracket Assembly (Consists of: LH and RH Mounting Brackets and M6 Bolts)
7	581 85 77-01	Carburetor Gasket Kit (Consists of: Carburetor Insulator Plate, Insulator Plate Gasket, Carburetor Gasket and Carburetor Insulator Gasket)	31	581 66 59-01	Blower Housing
8	581 66 94-01	Carburetor Assembly	32	581 85 84-01	Flywheel Assembly (Includes Nut, Washer and Key)
9	581 67 01-01	Gasket, Air Cleaner	33	580 49 14-01	Key, Crankshaft
10	581 67 06-01	Tube, Breather	34	580 49 15-01	Bolt, Valve Cover
11	532 43 75-68	Nut, M6	35	580 49 17-01	Stud
12	581 67 20-01	Base, Air Cleaner	36	581 67 32-01	Stud, M6
13	581 85 78-01	Service Kit, Carburator (Consists of: Float Bowl Bolt, Fuel Drain Plug, Float Bowl Washer and Fuel Drain Washer)	37	580 49 18-01	Filter, Fuel
14	581 67 21-01	Cover, Air Cleaner Case	38	580 49 40-01	Stud, Blower Housing, M6
15	532 43 93-77	Element, Air Cleaner	39	583 94 59-01	Temperature Control System
16	581 85 80-01	Muffler Guard (Includes M6 Nut)	40	583 94 59-02	Thermal Rod
17	581 85 81-01	Coil, Ignition (Includes M6 Bolt and M6 Stud)	NOT ILLUSTRATED:		
18	532 43 93-78	Cap, Spark Plug	--	581 85 65-01	High Altitude Kit, C.E. (Consists of: Main Jet #3000, Washers and Instruction Sheet)
19	532 43 75-75	Cap, Fuel	--	581 51 26-01	Exhaust Deflector Assembly
20	532 43 75-76	Tank, Fuel (Includes M6 Bolt)	--	115 55 07-29	Owner's Manual
21	581 85 82-01	Service Kit (Consists of: Fuel Hose, Breather Hose, Hose Clamps and Clip)	--	581 85 89-01	Engine Assembly (without Shroud), 61mm Crankshaft
22	581 51 26-01	Spark Arrester (Includes M6 Nut)	--	581 85 89-02	Engine Assembly (without Shroud), 80mm Crankshaft
23	581 67 25-01	Muffler			
24	581 67 26-01	Gasket, Exhaust			
25	581 85 83-01	Brake Assembly (Includes Kill Switch and M6 Bolt)			