



# MCCULLOCH



# MC621

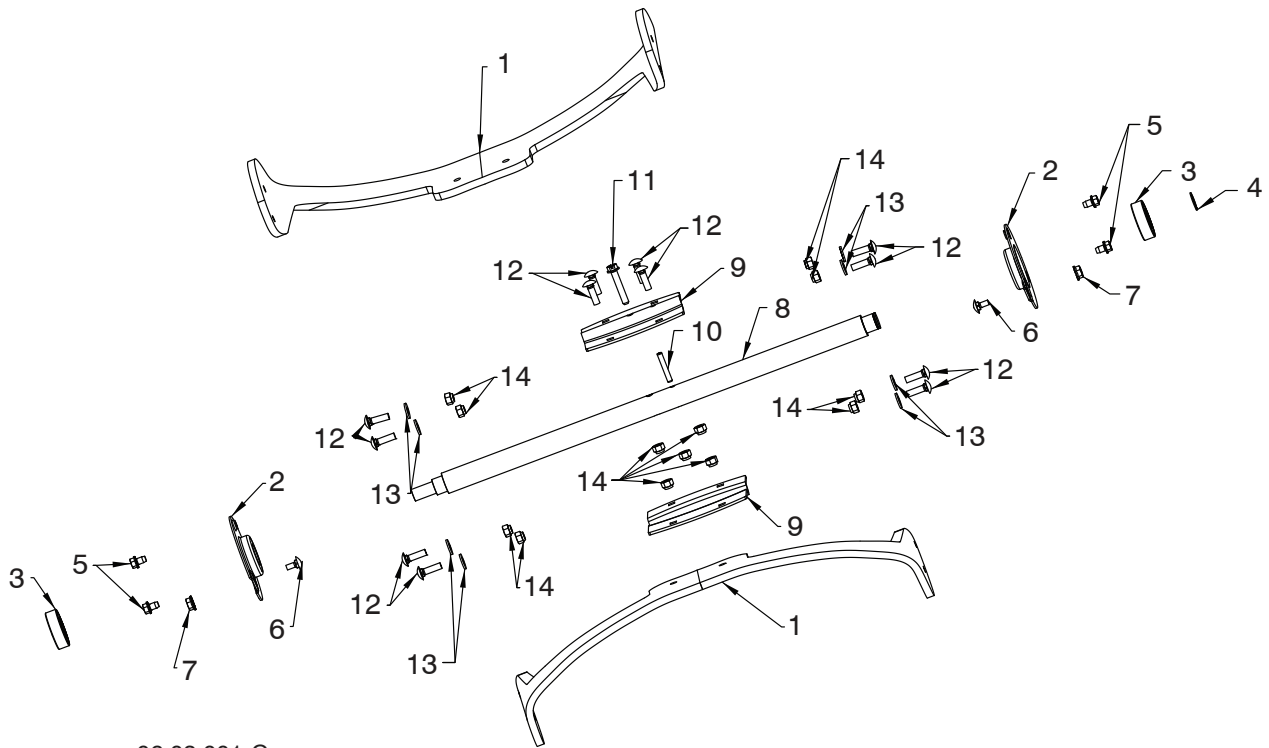
---

## Part's Manual

**Gasoline containing up to 10% ethanol (E10) is acceptable for use in this machine.  
The use of any gasoline exceeding 10% ethanol (E10) will void the product warranty.**

# REPAIR PARTS SNOW THROWER - - MODEL NUMBER MC621 (96182000502)

## AUGER ASSEMBLY



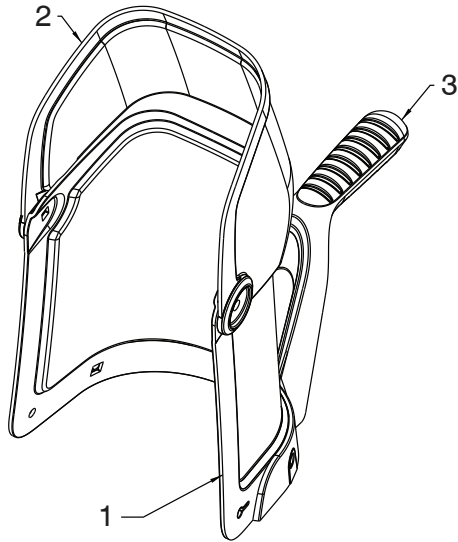
06.03.001-C

KEY NO.	PART NO.	DESCRIPTION
1	532 44 27-59	BLADE
2	580 85 55-01	BEARING SUPPORT
3	532 43 76-22	BALL BEARING
4	812 00 00-28	RETAINING RING
5	817 06 04-08	1/4-20 X 3/8 HEX SCREW
6	872 11 04-04	1/4-20 X 1/2 CARRIAGE BOLT
7	532 43 81-30	1/4-20 NUT
8	532 43 76-17	AUGER WELDMENT
9	580 85 54-01	CENTER BLADE PLATE
10	532 43 76-20	ROLL PIN
11	532 19 96-87	SCREW HEX WS HD 1/4-20 X 1.5
12	872 11 04-07	BOLT CARRIAGE 1/4-20 X 7/8
13	819 09 10-16	WASHER FLAT 1/4 SAE
14	532 13 20-04	NUT HEX 1/4-20

**NOTE:** All component dimensions given in U.S. inches. 1 inch = 25.4 mm  
**IMPORTANT:** Use only Original Equipment Manufacturer (O.E.M.) replacement parts. Failure to do so could be hazardous, damage your snow thrower and void your warranty.

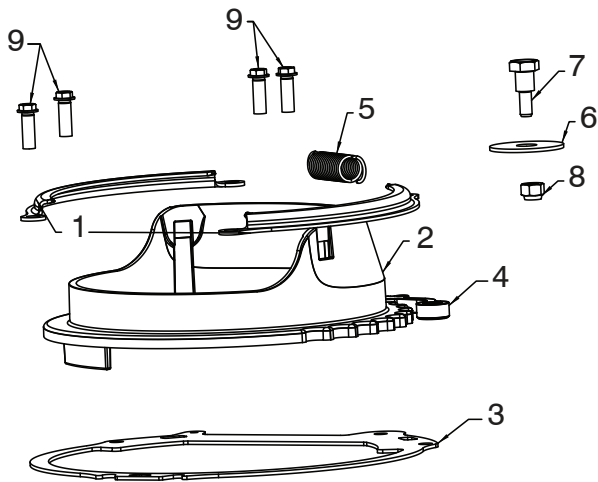
# REPAIR PARTS SNOW THROWER - - MODEL NUMBER MC621 (96182000502)

## CHUTE ASSEMBLY



06.05.002-B

KEY NO.	PART NO.	DESCRIPTION
1	532 43 76-55	CHUTE (BLACK)
2	532 43 76-43	DEFLECTOR (BLACK)
3	532 43 76-42	HANDLE (BLACK)

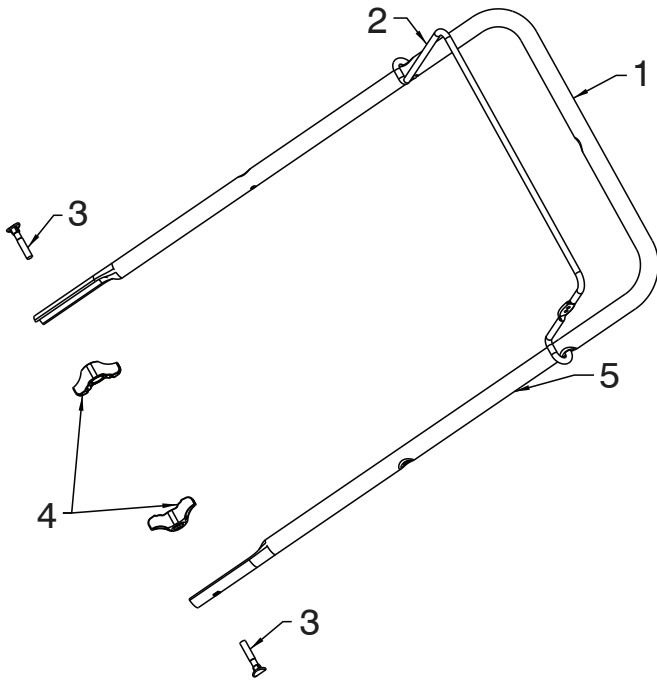


06.04.009-A

KEY NO.	PART NO.	DESCRIPTION
1	532 43 48-77	CHUTE RETAINER
2	580 85 65-01	CHUTE BASE
3	580 85 56-01	CHUTE BASE PLATE
4	532 43 48-78	RATCHET PAWL
5	532 43 48-79	SPRING
6	819 13 24-16	WASHER 13/32 X 1.25
7	532 08 13-28	BOLT 1/4-20 X .94
8	532 13 20-04	NUT 1/4-20 HEX
9	817 41 13-12	BOLT 13-16 X .75

**NOTE:** All component dimensions given in U.S. inches. 1 inch = 25.4 mm  
**IMPORTANT:** Use only Original Equipment Manufacturer (O.E.M.) replacement parts.  
 Failure to do so could be hazardous, damage your snow thrower and void your warranty.

**REPAIR PARTS SNOW THROWER - - MODEL NUMBER MC621 (96182000502)**  
**HANDLE ASSEMBLY**

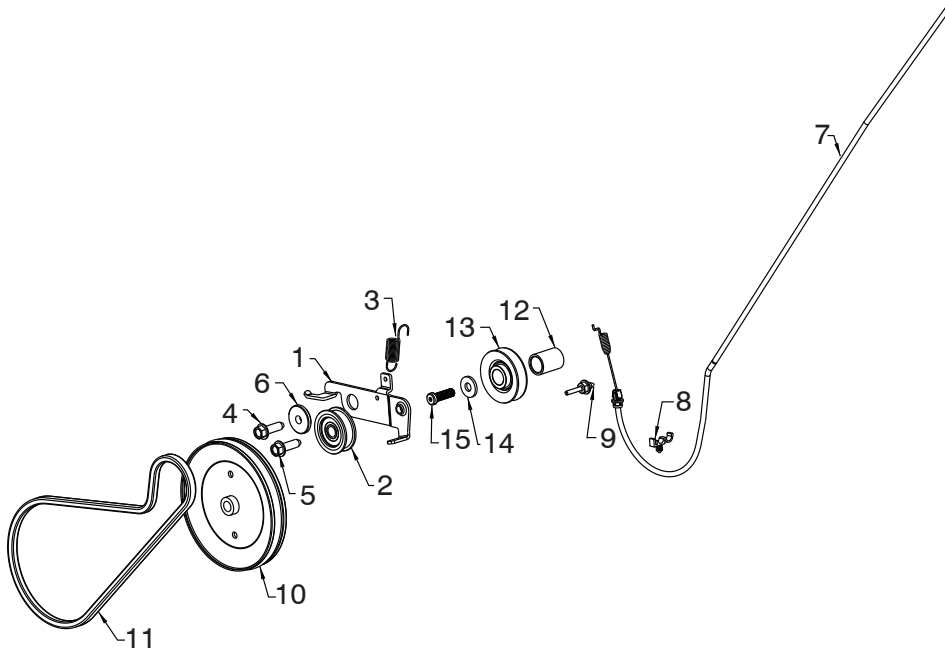


06.07.003-A

KEY NO.	PART NO.	DESCRIPTION
1	580 85 70-01	UPPER HANDLE
2	580 86 04-01	BAIL
3	532 19 15-74	HANDLE BOLT
4	532 44 50-19	WING KNOB
5	532 43 75-06	AUGER CONTROL DECAL

**NOTE:** All component dimensions given in U.S. inches. 1 inch = 25.4 mm  
**IMPORTANT:** Use only Original Equipment Manufacturer (O.E.M.) replacement parts.  
 Failure to do so could be hazardous, damage your snow thrower and void your warranty.

# REPAIR PARTS SNOW THROWER - - MODEL NUMBER MC621 (96182000502) DRIVE



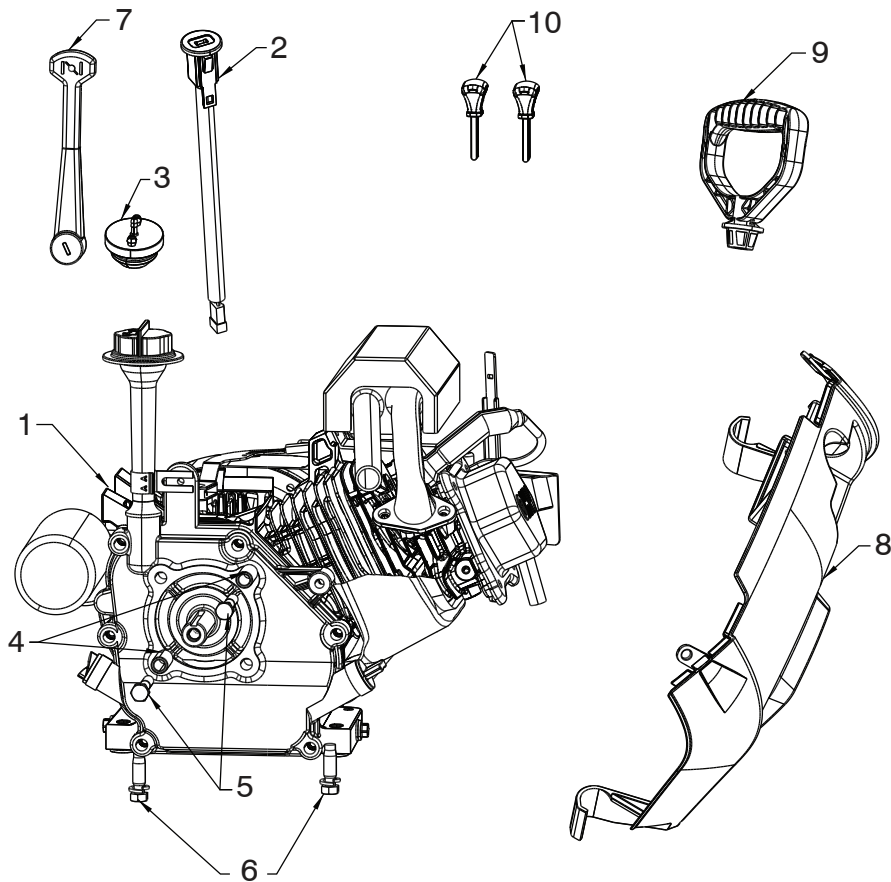
06.01.001-A

KEY NO.	PART NO.	DESCRIPTION
1	580 85 53-01	IDLER ARM
2	532 16 60-43	IDLER PULLEY
3	532 43 48-59	RETURN SPRING
4	817 06 06-20	SCREW 3/8-16 X 1-1/4 (TORQUE 13-18 FT-LBS)
5	817 06 06-20	SCREW 3/8-16 X 1-1/4 (TORQUE 22-27 FT-LBS)
6	532 19 90-92	SPACER
7	532 44 30-18	CLUTCH CABLE ASM
8	532 14 50-06	PUSH CLIP
9	532 43 45-02	BELT KEEPER
10	532 43 53-83	DRIVE PULLEY
11	532 43 72-61	BELT
12	532 43 48-60	ENGINE CRANK SPACER
13	532 42 64-90	ENGINE PULLEY
14	532 85 10-74	WASHER
15	532 43 08-17	SCREW 3/8-24 X 1/25

**NOTE:** All component dimensions given in U.S. inches. 1 inch = 25.4 mm  
**IMPORTANT:** Use only Original Equipment Manufacturer (O.E.M.) replacement parts.  
 Failure to do so could be hazardous, damage your snow thrower and void your warranty.

# REPAIR PARTS SNOW THROWER - - MODEL NUMBER MC621 (96182000502)

## ENGINE ASSEMBLY



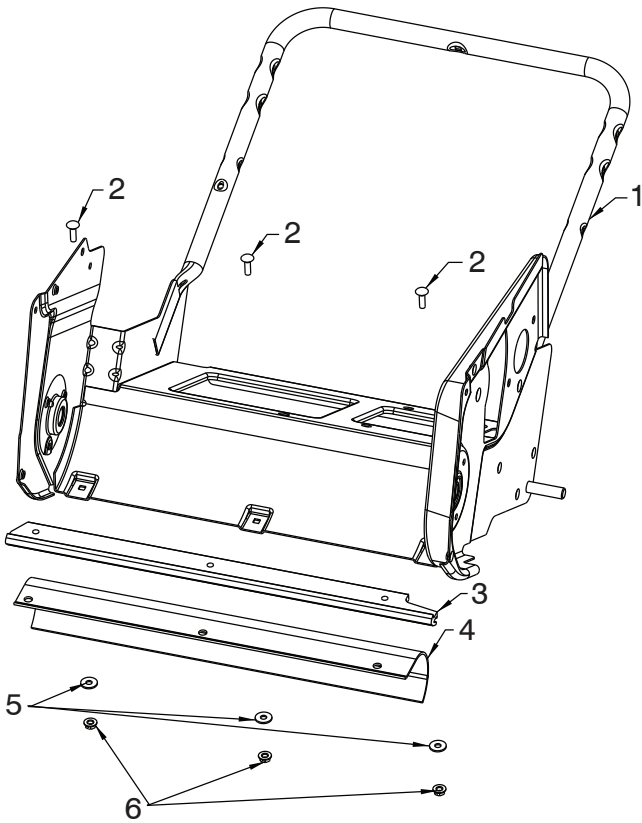
06.02.014-A

KEY NO.	PART NO.	DESCRIPTION
1	580 81 09-01	ENGINE LCT PW3HK1865018P
2	580 85 02-01	KEY SWITCH
3	532 43 62-35	PRIMER BULB
4	532 43 48-57	ENGINE SPACER
5	532 43 55-78	SCREW 5/16-24 X 2.00 HHCS
6	532 15 04-06	BOLT ENGINE 3/8-16 DOGPOINT
7	532 43 48-74	CHOKE LEVER
8	532 43 76-58	REAR LOWER COVER
9	532 43 62-76	RECOIL HANDLE
10	532 44 30-59	KEY SET (QTY 2)

**NOTE:** All component dimensions given in U.S. inches. 1 inch = 25.4 mm  
**IMPORTANT:** Use only Original Equipment Manufacturer (O.E.M.) replacement parts. Failure to do so could be hazardous, damage your snow thrower and void your warranty.

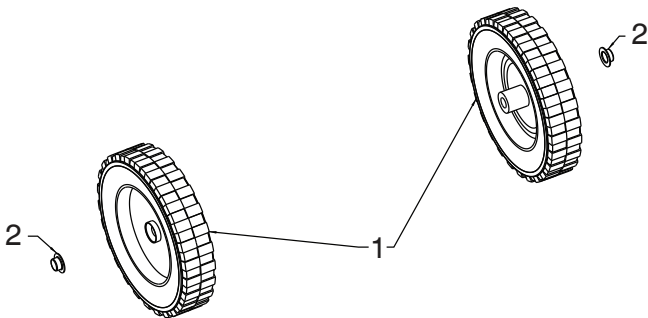
# REPAIR PARTS SNOW THROWER - - MODEL NUMBER MC621 (96182000502)

## FRAME ASSEMBLY



06.00.001-A

KEY NO.	PART NO.	DESCRIPTION
1	580 85 62-01	FRAME WELDMENT
2	872 11 04-07	BOLT, CARRIAGE 1/4-20 X 7/8
3	580 50 26-01	BAR, SCRAPER UHMW
4	532 44 21-46	SCRAPER, SKIRT
5	819 09 12-16	WASHER 9/32 X 3/4 X 16 GA
6	532 19 17-30	NUT, HEX FLANGE 1/4-20 CTR LOCK



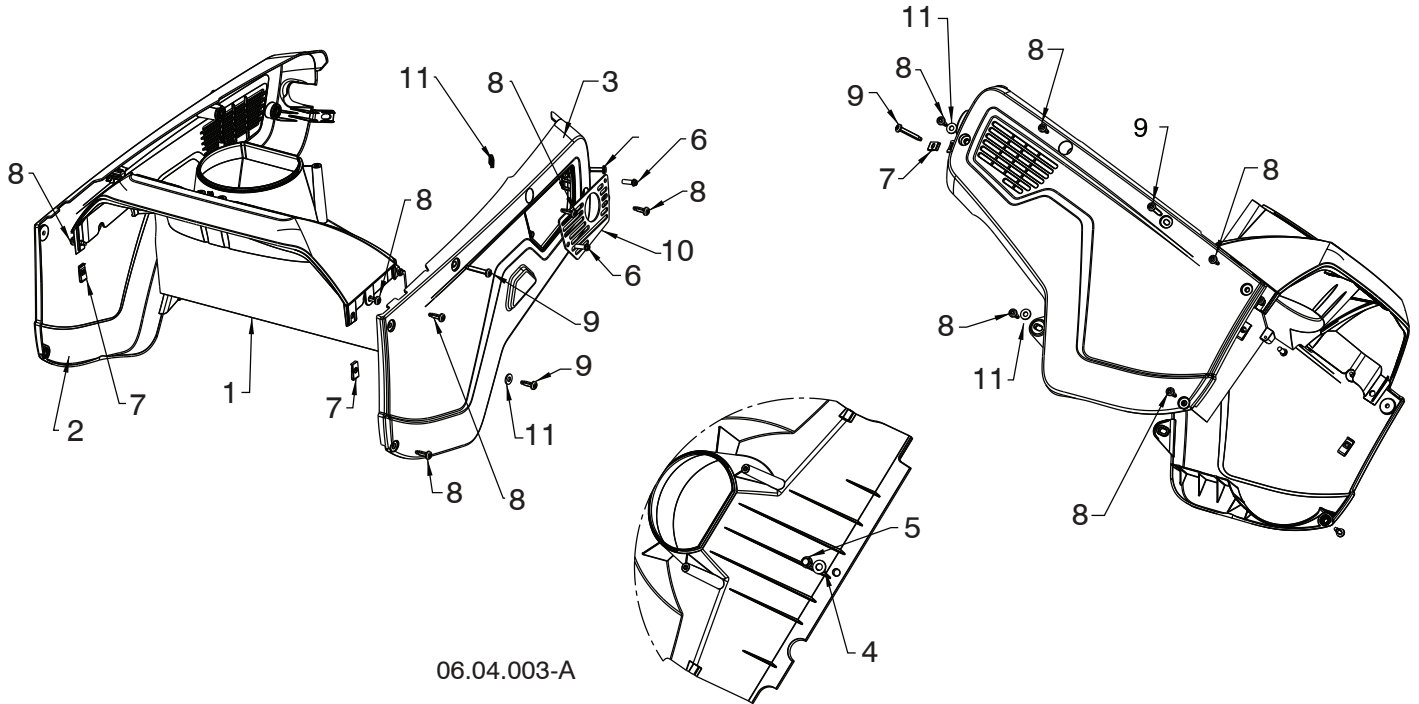
06.06.005-B

KEY NO.	PART NO.	DESCRIPTION
1	532 43 76-16	WHEEL 7"
2	532 43 54-17	PUSH NUT

**NOTE:** All component dimensions given in U.S. inches. 1 inch = 25.4 mm  
**IMPORTANT:** Use only Original Equipment Manufacturer (O.E.M.) replacement parts. Failure to do so could be hazardous, damage your snow thrower and void your warranty.

# REPAIR PARTS SNOW THROWER - - MODEL NUMBER MC621 (96182000502)

## SHROUD ASSEMBLY



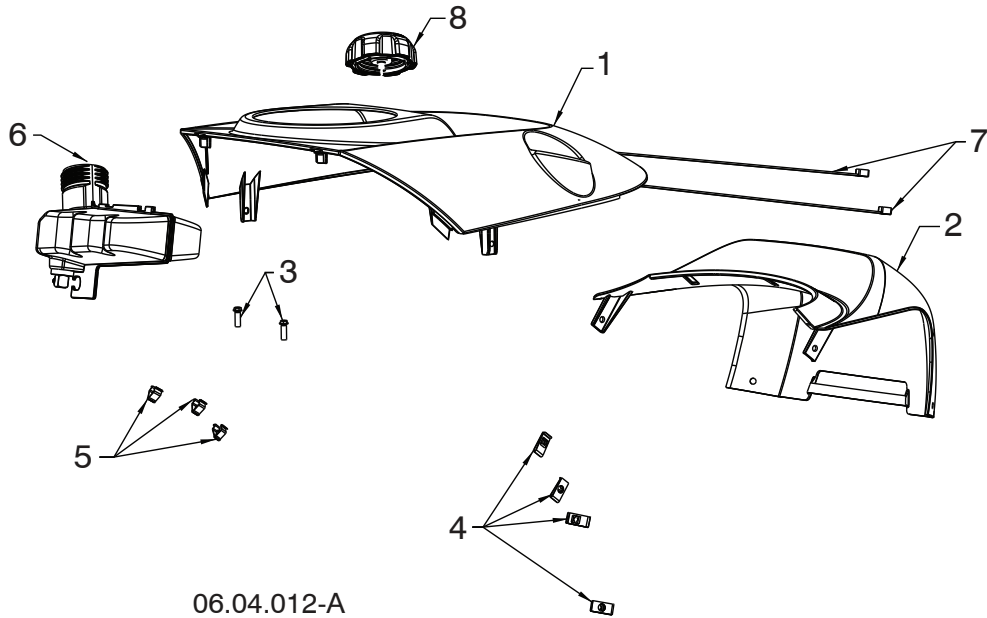
06.04.003-A

KEY NO.	PART NO.	DESCRIPTION
1	532 44 33-96	PLENUM
2	532 44 33-97	NON - DRIVE COVER
3	532 44 33-98	DRIVE COVER SIDE
4	819 13 13-16	WASHER (13/32 X 13/16 16GA)
5	532 42 88-67	BOLT (5/16-18 X .75)
6	817 41 13-12	BOLT (13-16 X .75)
7	532 19 66-88	THREADED CLI P
8	532 44 22-50	SCREW (1/4-20 X 1.5)
9	532 44 42-62	SCREW (1/4-20 X 1.5)
10	580 53 35-01	EXHAUST PLATE
11	819 09 10-16	WASHER FLAT 1/4 SAE

**NOTE:** All component dimensions given in U.S. inches. 1 inch = 25.4 mm  
**IMPORTANT:** Use only Original Equipment Manufacturer (O.E.M.) replacement parts. Failure to do so could be hazardous, damage your snow thrower and void your warranty.



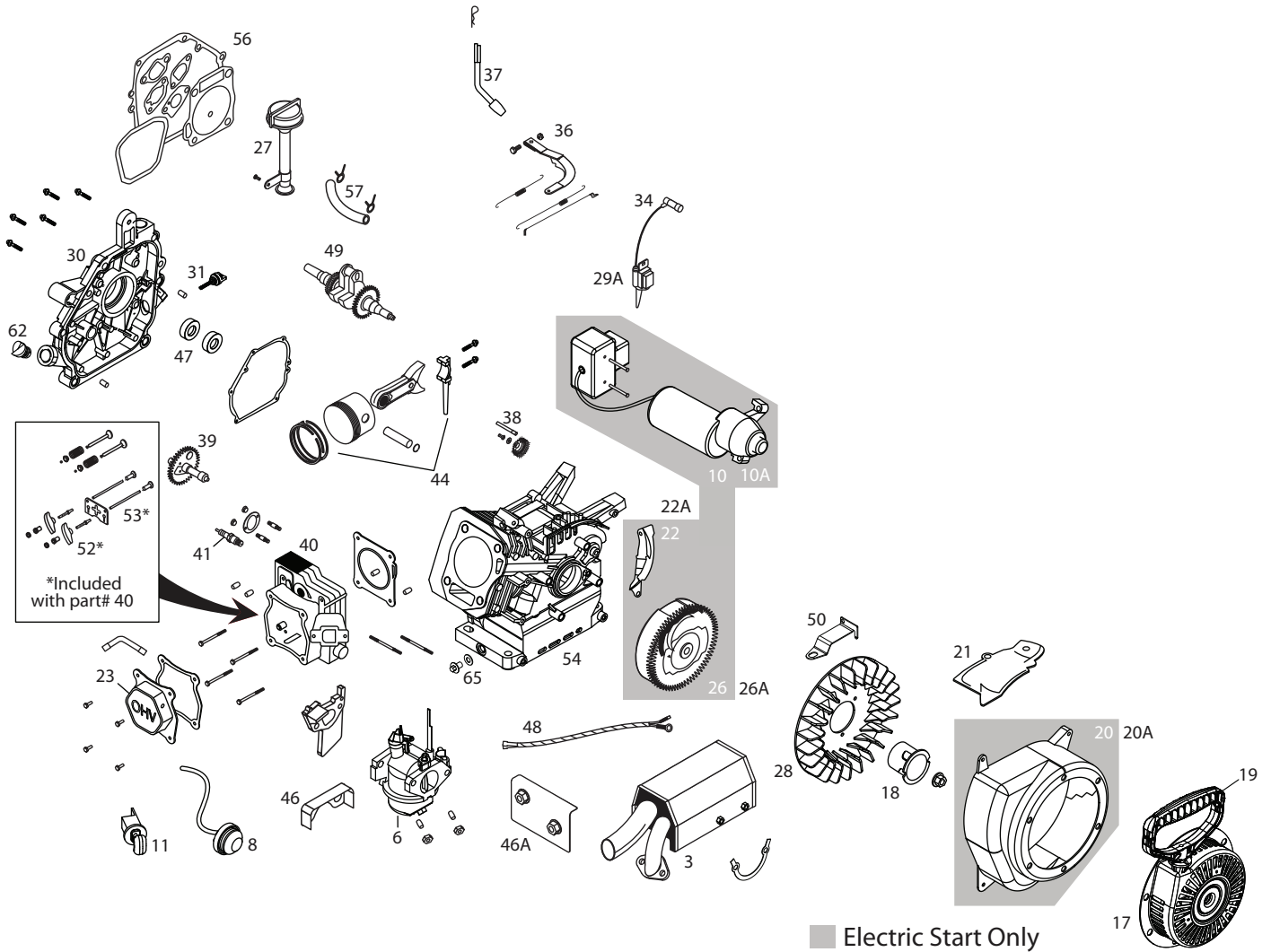
**REPAIR PARTS SNOW THROWER - - MODEL NUMBER MC621 (96182000502)  
SHROUD ASSEMBLY**



KEY NO.	PART NO.	DESCRIPTION
1	532 44 39-46	TOP COVER
2	532 43 76-48	REAR UPPER COVER
3	817 41 13-12	BOLT 13-16 X .75
4	532 19 66-88	THREADED CLIP
5	532 43 48-68	TRIM CLIP
6	580 98 26-01	FUEL TANK ASSEMBLY
7	532 14 68-48	CABLE TIE
8	581 07 55-01	FUEL CAP/GASKET

**NOTE:** All component dimensions given in U.S. inches. 1 inch = 25.4 mm  
**IMPORTANT:** Use only Original Equipment Manufacturer (O.E.M.) replacement parts.  
 Failure to do so could be hazardous, damage your snow thrower and void your warranty.

**REPAIR PARTS SNOW THROWER - - MODEL NUMBER MC621 (96182000502)**  
**ENGINE, LCT** **COMPLETE ENGINE-580810901**



**NOTE:** All component dimensions given in U.S. inches. 1 inch = 25.4 mm  
**IMPORTANT:** Use only Original Equipment Manufacturer (O.E.M.) replacement parts.  
 Failure to do so could be hazardous, damage your snow thrower and void your warranty.

**REPAIR PARTS SNOW THROWER - - MODEL NUMBER MC621 (96182000502)**  
**ENGINE, LCT** **COMPLETE ENGINE-580810901**

KEY NO.	PART NO.	DESCRIPTION
3	532 44 42-77	Muffler Assembly-Snow
6	532 43 71-22	Snow Carburetor Assy
8	532 43 71-23	Fuel Primer Bulb With Hose
10	532 43 71-24	Electric Starter Assy
10A	532 43 71-25	European 230V Electric Starter
11	532 42 49-54	Key Switch Assy
17	532 43 69-67	Recoil Starter Assembly-Snow
18	532 43 69-68	Starter Cup Small
19	532 42 49-68	Snow Starter Grip
20	532 42 49-71	Blower Housing Assembly Electric Start - Snow (Black)
20A	532 42 92-30	Blower Housing Assembly Manual Start - Snow (Black)
21	532 42 49-73	Shield, Cylinder
22	532 42 49-75	Shield, Flywheel Electric Start (If Equipped)
22A	532 42 95-96	Shield, Flywheel Manual Start
23	532 42 05-80	Valve Cover
26	532 42 92-35	Electric Start Flywheel Assy
26A	532 42 05-85	Manual Start Flywheel Assy
27	532 44 40-91	High Oil Fill Tube Assy
28	532 42 05-86	Flywheel Fan
29A	532 44 39-34	Ignition Coil (CDI) (used on engines without ref. 12)
30	532 42 06-06	Crankcase Cover Assy
31	532 42 09-61	Black Oil Dipstick
34	532 43 69-66	Spark Plug Boot
36	532 42 06-01	Governor Arm Assy
37	532 42 06-02	Governor Shaft
38	532 42 96-46	Governor Gear Assy
39	532 42 05-84	Camshaft
40	532 42 05-78	Cylinder Head Assy
41	532 42 49-39	Spark Plug
44	532 42 05-82	Piston And Rod Assy
46	532 42 92-60	Vapor Shield
46A	532 44 42-75	Intake Shield
47	532 42 95-99	Seal Kit
48	532 44 42-76	Wire Harness
49	532 42 96-00	Crankshaft
50	532 42 92-59	Speed Control Bracket
52	532 42 96-91	Rocker Arm Kit
53	532 42 05-79	Push Rod Kit
54	532 43 65-67	Cylinder Assembly
56	532 42 96-01	Gasket Kit
57	532 43 80-14	Fuel Hose Kit
62	532 42 95-98	Non-Removable Oil Plug
65	532 43 54-95	Oil Drain Plug Kit

**NOTE:** All component dimensions given in U.S. inches. 1 inch = 25.4 mm  
**IMPORTANT:** Use only Original Equipment Manufacturer (O.E.M.) replacement parts.  
 Failure to do so could be hazardous, damage your snow thrower and void your warranty.

## LIMITED WARRANTY

The Manufacturer warrants to the original consumer purchaser that this product as manufactured is free from defects in materials and workmanship. For a period of two (2) years from date of purchase by the original consumer purchaser, we will repair or replace, at our option, without charge for parts or labor incurred in replacing parts, any part which we find to be defective due to materials or workmanship. This Warranty is subject to the following limitations and exclusions.

1. This warranty does not apply to the engine, transaxle/transmission components, battery (except as noted below) or components parts thereof. Please refer to the applicable manufacturer's warranty on these items.
2. Transportation charges for the movement of any power equipment unit or attachment are the responsibility of the purchaser. Transportation charges for any parts submitted for replacement under this warranty must be paid by the purchaser unless such return is requested by the manufacturer.
3. Battery Warranty: On products equipped with a Battery, we will replace, without charge to you, any battery which we find to be defective in manufacture, during the first ninety (90) days of ownership. After ninety (90) days, we will exchange the Battery, charging you 1/12 of the price of a new Battery for each full month from the date of the original sale. Battery must be maintained in accordance with the instructions furnished.
4. The Warranty period for any products used for rental or commercial purposes is limited to 90 days from the date of original purchase.
5. This Warranty applies only to products which have been properly assembled, adjusted, operated, and maintained in accordance with the instructions furnished. This Warranty does not apply to any product which has been subjected to alteration, misuse, abuse, improper assembly or installation, delivery damage, or to normal wear of the product.
6. Exclusions: Excluded from this Warranty are belts, blades, blade adapters, normal wear, normal adjustments, standard hardware and normal maintenance.
7. In the event you have a claim under this Warranty, you must return the product to an authorized service dealer.

Should you have any unanswered questions concerning this Warranty, please contact:

HOP  
Outdoor Products Customer Service Dept.  
9335 Harris Corners Parkway  
Charlotte, NC 28269 USA

In Canada contact:  
HOP  
5855 Terry Fox Way  
Mississauga, Ontario  
L5V 3E4

giving the model number, serial number and date of purchase of your product and the name and address of the authorized dealer from whom it was purchased.

THIS WARRANTY DOES NOT APPLY TO INCIDENTAL OR CONSEQUENTIAL DAMAGES AND ANY IMPLIED WARRANTIES ARE LIMITED TO THE SAME TIME PERIODS STATED HEREIN FOR OUR EXPRESSED WARRANTIES. Some areas do not allow the limitation of consequential damages or limitations of how long an implied Warranty may last, so the above limitations or exclusions may not apply to you. This Warranty gives you specific legal rights, and you may have other rights which vary from locale to locale.

This is a limited Warranty within the meaning of that term as defined in the Magnuson-Moss Act of 1975.