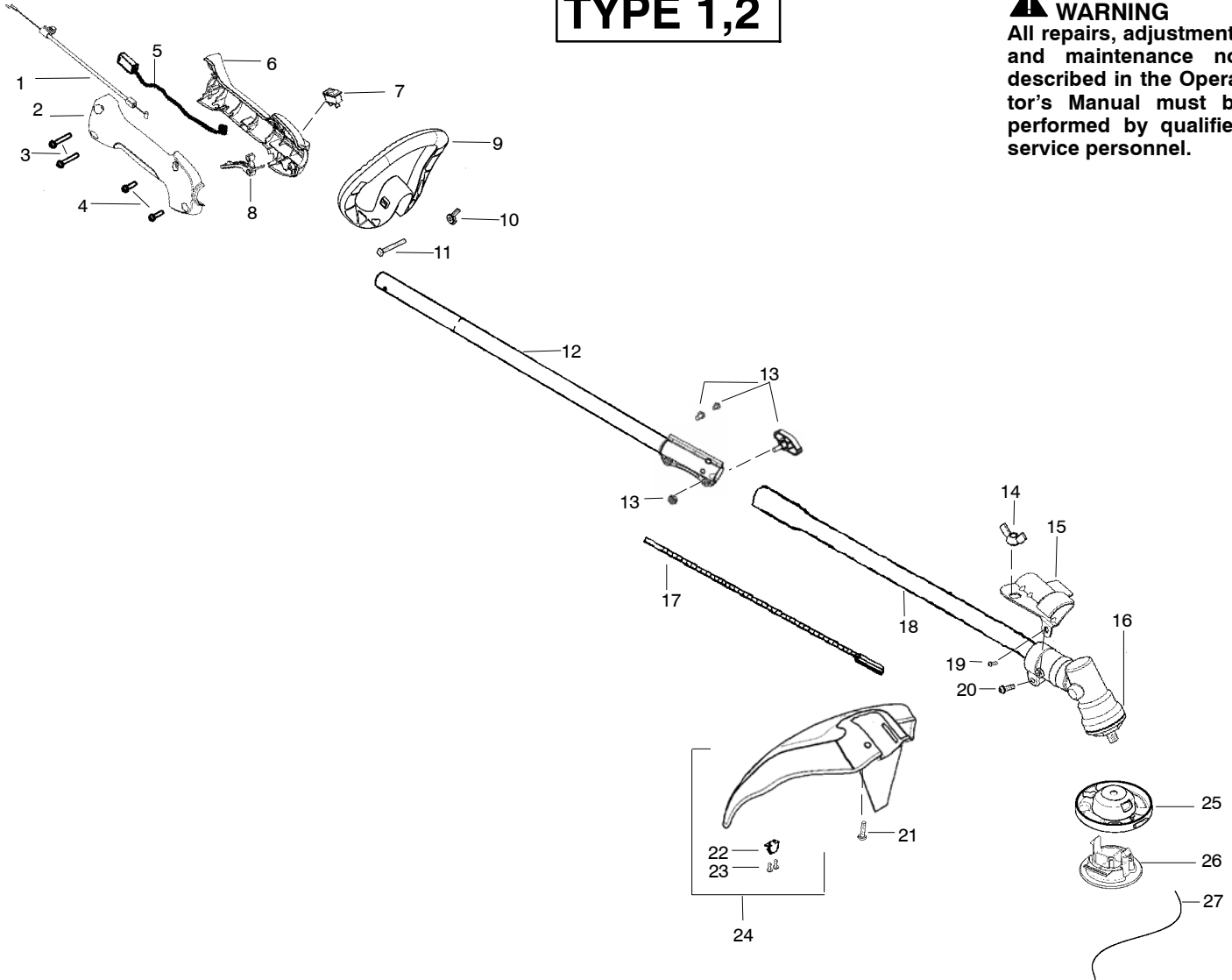


TYPE 1,2

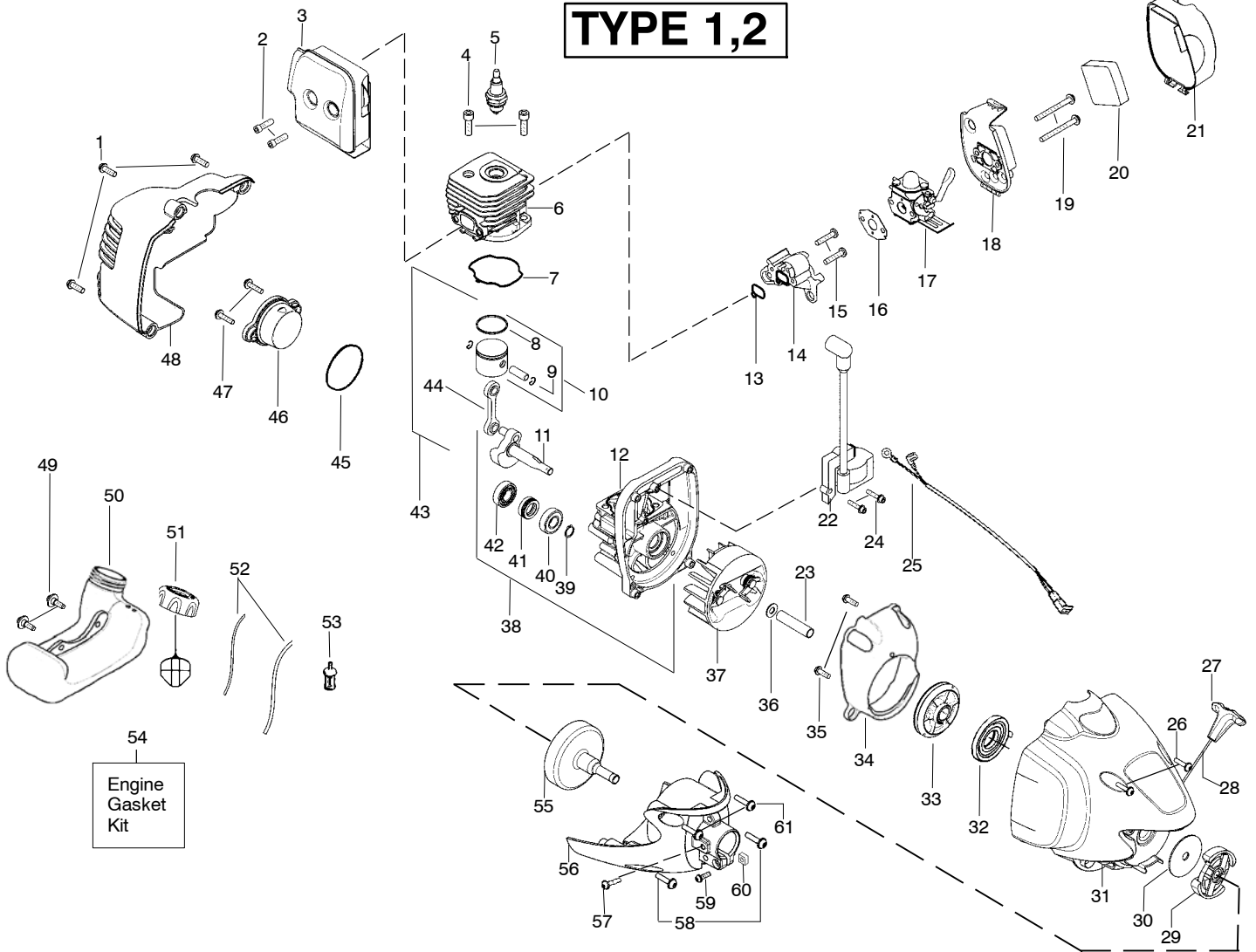
⚠ WARNING
 All repairs, adjustments and maintenance not described in the Operator's Manual must be performed by qualified service personnel.



| Ref. | Part No. | Description | Ref. | Part No. | Description | Ref. | Part No. | Description |
|------|-----------|---|------|-----------|-----------------------------------|-------------------------------------|---|-------------|
| 1. | 530059759 | Assy-Throttle Cable | 15. | 545150701 | Bracket-Shield | Not Shown | | |
| 2. | 530057541 | Hsg.-Throttle (RH) | 16. | 530096099 | Gearbox | | | |
| 3. | 530016406 | Screw | 17. | 530096218 | Flexshaft-lower | | | |
| 4. | 530015814 | Screw | 18. | 530071789 | Kit-Lower Shaft | | | |
| 5. | 530054183 | Assy.-Wire | 19. | 530015775 | Screw | | | |
| 6. | 530059760 | Hsg. Throttle (LH) | 20. | 530016014 | Screw | | | |
| 7. | 545030601 | Kit-Switch | 21. | 530015820 | Bolt | | | |
| 8. | 545077601 | Trigger-Throttle | 22. | 530052286 | Limiters-Line | | | |
| 9. | 530057546 | Handle-Assist | 23. | 530015814 | Screw | | | |
| 10. | 530016152 | Wingnut | 24. | 530071997 | Kit-Shield Assy. (Incl. 22,23) | | | |
| 11. | 530015786 | Bolt | 25. | 545049401 | Head - Fixed Line | 115376827 545209101 545167703 | Operator Manual Decal-Shaft Warning Decal-Upper Shaft | |
| 12. | 575260201 | Kit-Upper Shaft (Incl. flex, clamp & 13) | 26. | 545049501 | Cap - Fixed Line | | | |
| 13. | 575291801 | Kit - Knob/Screw | 27. | 952711635 | Accy - Line (12pcs) | | | |
| 14. | 530016152 | Wingnut | | | | | | |

✓ = NEW PART NUMBER FOR THIS IPL

* = REFER TO THE SERVICE REFERENCE INDICATED FOR MORE INFORMATION. (LOCATED AT END OF IPL)



| Ref. | Part No. | Description | Ref. | Part No. | Description | Ref. | Part No. | Description |
|---|-----------|-----------------------------------|------|-----------|--|------|-----------|---|
| 1. | 530015880 | Screw | 24. | 530016357 | Screw | 49. | 530016445 | Retainer - Tank |
| 2. | 530058982 | Bolt - Muffler | 25. | 530047278 | Assy - Switch wire | 50. | --- | Assy - Fuel Tank (incl. filter, lines & fuel cap) |
| 3. | 545227901 | Assy - Muffler/Shield (Incl. 2) | 26. | 530016386 | Screw | | 530057974 | (TYPE 1) |
| 4. | 530015953 | Screw - Cylinder | 27. | 530054834 | Handle - Starter | | 578943002 | (TYPE 2) |
| 5. | 952030249 | Spark Plug (RCJ 6Y) | 28. | 530071798 | Kit - Rope | | --- | Assy - Fuel Cap |
| 6. | 530012541 | Cylinder | 29. | 530055122 | Assy - Clutch | 51. | --- | (TYPE 1) |
| 7. | --- | Seal (Ref.#54) | 30. | 530094189 | Washer - Clutch | | 530057973 | (TYPE 2) |
| 8. | 545154001 | Piston Ring | 31. | 576622202 | Assy. - Fan Hsg | | 578931603 | (TYPE 1) |
| 9. | 530015162 | Retainer - Piston Pin | 32. | 545054901 | Spring - Starter | 52. | --- | Kit - Fuel Line |
| 10. | 530071833 | Kit - Piston (Incl. 8, 9) | 33. | 545050407 | Kit - Starter Pulley | | 530069599 | (TYPE 1) |
| 11. | 530012579 | Assy - Crankshaft | 34. | 545080601 | Baffle | | --- | (TYPE 2) (Ref.#50) |
| 12. | 530012582 | Assy - Crankcase (Incl. 40,41,42) | 35. | 530015880 | Screw | 53. | 530095646 | Assy - Fuel Pickup |
| 13. | --- | Seal (Ref.#54) | 36. | 530016463 | Washer - Clutch Flat | 54. | 530071750 | Kit - Engine Gasket (Incl. 7,13,16,45) |
| 14. | 530057547 | Adapter - Carb. | 37. | 530039243 | Assy - Flywheel | 55. | 530150247 | Assy - Clutch Drum |
| 15. | 530016441 | Screw | 38. | 530071951 | Assy - C'case & C'shaft (Incl. 11,12,39) | 56. | 545077301 | Assy - Clutch Cover (Incl. 59,60) |
| 16. | --- | Gasket (Ref.#54) | 39. | 530015941 | Retain. Ring - C'shaft | 57. | 530016319 | Screw - Align |
| 17. | 530071811 | Kit - Carb.(C1U-W19) | 40. | 530055728 | Outer Bearing | 58. | 530015772 | Screw |
| (Note: Repair kits are not available for this carburetor) | | | 41. | 530019264 | Seal - C'shaft | 59. | 530016381 | Screw 12-24 |
| 18. | 545077501 | Air Box | 42. | 530032125 | Inner Bearing | 60. | 530016382 | Nut 12-24 |
| 19. | 530016429 | Screw | 43. | 530071785 | Kit - piston/rod (Incl. 10,44) | 61. | 530015814 | Screw |
| 20. | 530036575 | Foam - Air Filter | 44. | 530069945 | Kit - Conn. Rod | | | Not Shown |
| 21. | 530057545 | Cover - Air Box | 45. | --- | O - Ring (Ref.#46,54) | | | |
| 22. | 530039229 | Ignition Module | 46. | 530057954 | Assy - Plug (incl.45) | | | |
| 23. | 530059758 | Spacer - Flywheel | 47. | 530016386 | Screw | | | |
| | | | 48. | 530057539 | Shroud - Rear | | | |
| | | | | | | | 530058709 | Bulb - Purge |

↖ = NEW PART NUMBER FOR THIS IPL

* = REFER TO THE SERVICE REFERENCE INDICATED FOR MORE INFORMATION. (LOCATED AT END OF IPL)