

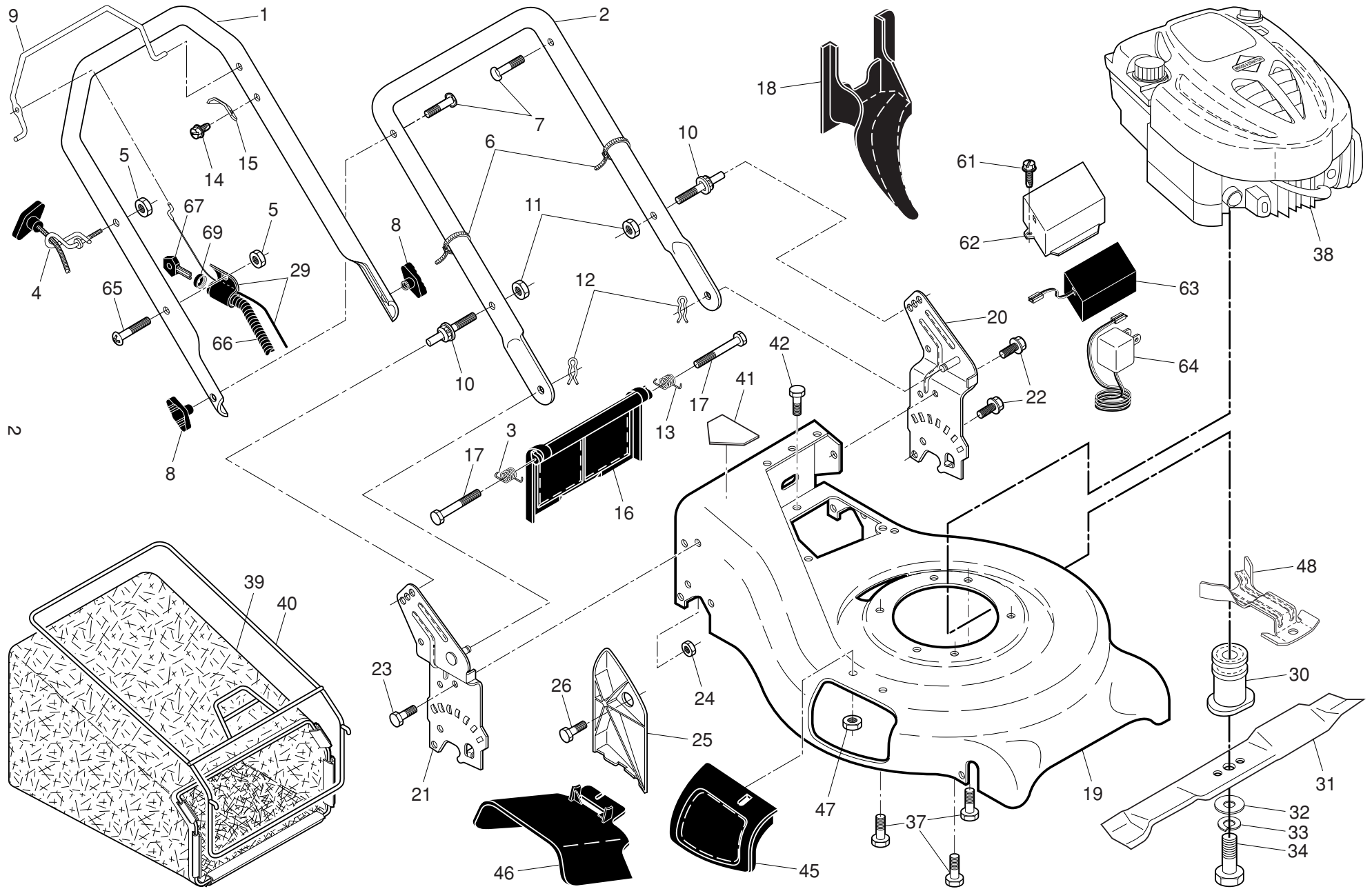
ILLUSTRATED PARTS LIST

MODEL NUMBER M53-625DE

PRODUCT NUMBER 961 41 02-47

MFG. ID. NUMBER 96141024700

ROTARY LAWN MOWER - MODEL NUMBER M53-625DE (96141024700) PRODUCT NUMBER 961 41 02-47



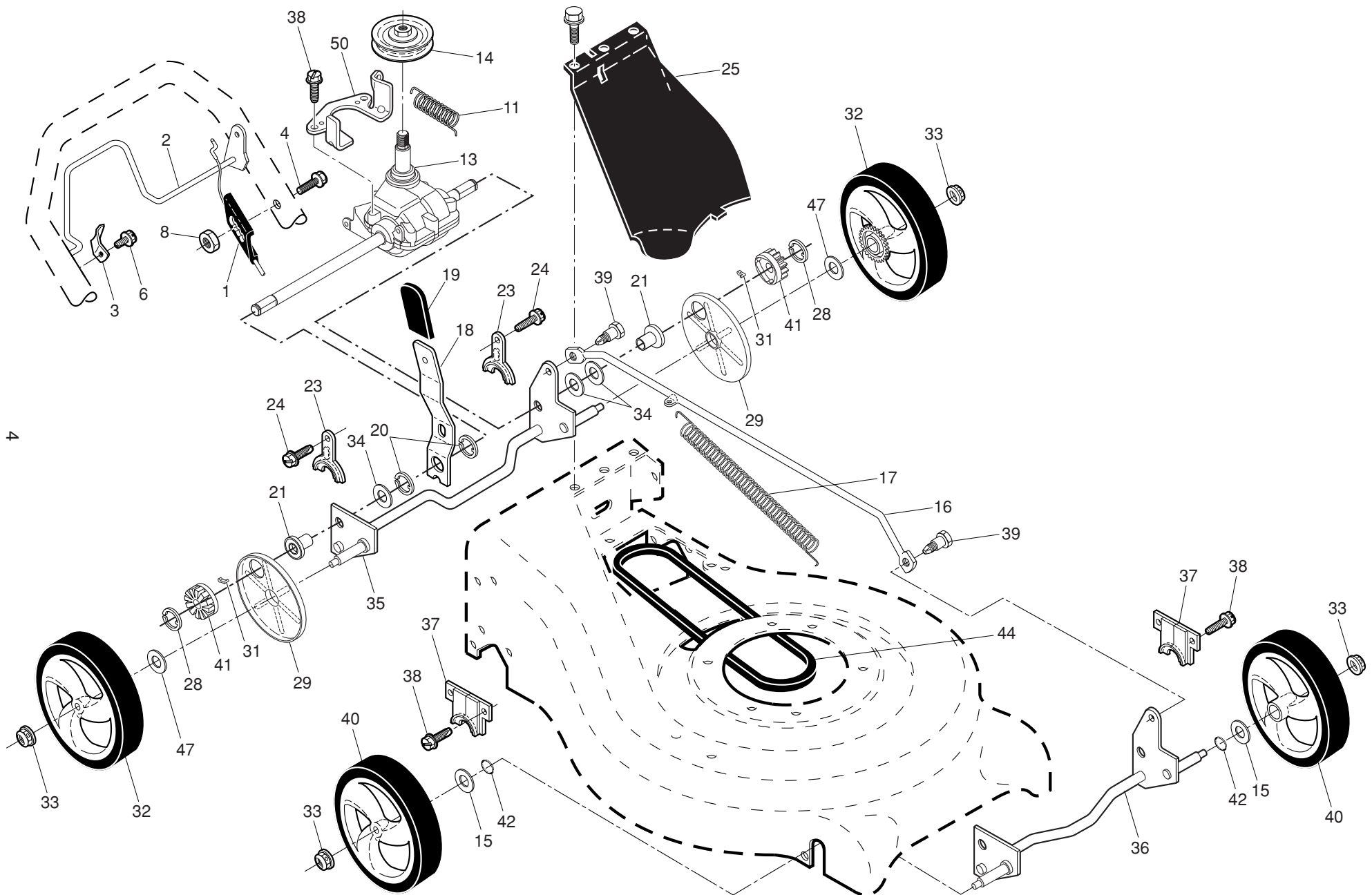
ROTARY LAWN MOWER - MODEL NUMBER **M53-625DE** (96141024700) PRODUCT NUMBER 961 41 02-47

| KEY NO. | PART NO. | DESCRIPTION | KEY NO. | PART NO. | DESCRIPTION |
|---------|--------------|---|---------|--------------|---|
| 1 | 532 17 80-67 | Handle, Upper, Deluxe Comfort | 30 | 532 42 11-76 | Adapter, Blade |
| 2 | 532 19 60-05 | Handle, Lower | 31 | 532 19 93-77 | Blade, 21" |
| 3 | 532 40 54-16 | Spring, Rear Door, RH | 32 | 532 85 10-74 | Washer, Hardened |
| 4 | 532 19 47-88 | Guide, Rope, Side | 33 | 532 85 02-63 | Lockwasher, Helical Spring 3/8 |
| 5 | 532 13 20-04 | Nut, Hex, with Lockwasher Insert 1/4-20 | 34 | 532 85 10-84 | Screw, Hex Head 3/8-24 x 1.38 |
| 6 | 532 06 64-26 | Wire, Tie | 37 | 532 15 04-06 | Bolt, Engine |
| 7 | 532 19 15-74 | Bolt, Handle 5/16-18 x 1.75 | 38 | - - - | Engine, Briggs & Stratton, Model Number 122T05-1615-H1 (Order parts from B&S) |
| 8 | 532 44 50-19 | Knob, Handle | 39 | 532 41 06-76 | Bag, Grass Catcher |
| 9 | 532 19 18-19 | Bail, Control, Wire, Deluxe Comfort, Black | 40 | 532 41 19-51 | Frame, Grass Bag |
| 10 | 532 18 88-21 | Bolt, Carriage | 41 | 532 18 21-66 | Decal Danger |
| 11 | 532 75 11-53 | Nut, Hex, with Lockwasher Insert 5/16-18 UNC | 42 | 817 06 04-10 | Screw, Self Tapping |
| 12 | 532 05 17-93 | Cotter, Hairpin | 45 | 532 19 13-41 | Mulcher Door |
| 13 | 532 40 54-15 | Spring, Rear Door, LH | 46 | 532 19 12-10 | Discharge Deflector |
| 14 | 532 75 06-34 | Screw, Tapping, Hex Washer Head #10-24 | 47 | 532 08 83-49 | Nut, Hex |
| 15 | 532 12 51-62 | Bracket, Upstop | 48 | 532 42 90-01 | Belt Keeper |
| 16 | 532 40 88-88 | Rear Door Assembly | 61 | 532 16 34-09 | Screw, Hi-Lo Thread #12 x 5/8 |
| 17 | 532 18 41-93 | Bolt, Rear Door | 62 | 532 40 80-02 | Box, Battery |
| 18 | 532 19 81-70 | Plug, Mulcher | 63 | 532 18 95-89 | Battery |
| 19 | 532 40 97-33 | Kit, Lawn Mower Housing Assembly | 64 | 532 19 24-36 | Charger, Battery |
| 20 | 532 19 40-29 | Handle Bracket Assembly, LH | 65 | 532 18 61-59 | Screw |
| 21 | 532 19 40-31 | Handle Bracket Assembly, RH | 66 | 532 40 95-68 | Wiring Harness |
| 22 | 532 42 88-67 | Screw, Hex Washer Head | 67 | 532 18 03-31 | Key |
| 23 | 532 16 31-83 | Bolt, Hex Head 5/16-18 x 5/8 | 69 | 532 19 48-48 | Nut, Cap |
| 24 | 873 80 05-00 | Nut, Hex, with Lockwasher Insert 5/16-18 | -- | 532 18 21-34 | Warning Decal (not shown) |
| 25 | 532 16 13-33 | Baffle, Side | -- | 532 44 46-23 | Operator's Manual, European |
| 26 | 532 16 34-09 | Screw, Hi-Lo Thread #12 x 5/8 | -- | 532 44 46-25 | Operator's Manual, Scandinavian |
| 29 | 532 19 59-48 | Cable, Operator Presence (Includes Key Start Switch) | -- | 532 44 46-24 | Operator's Manual, East Bloc |
| | | | -- | 532 44 46-26 | Operator's Manual, Baltic |

NOTE: All component dimensions given in U.S. inches. 1 inch = 25.4 mm

IMPORTANT: Use only Original Equipment Manufacturer (O.E.M.) replacement parts. Failure to do so could be hazardous, damage your lawn mower and void your warranty.

ROTARY LAWN MOWER - MODEL NUMBER M53-625DE (96141024700) PRODUCT NUMBER 961 41 02-47



ROTARY LAWN MOWER - MODEL NUMBER **M53-625DE** (96141024700) PRODUCT NUMBER 961 41 02-47

| KEY NO. | PART NO. | DESCRIPTION | KEY NO. | PART NO. | DESCRIPTION |
|---------|--------------|--|---------|--------------|--|
| 1 | 532 40 65-31 | Cable, Drive | 25 | 532 43 26-70 | Drive Cover Assembly (Includes Mounting Screw and Pushnut) |
| 2 | 532 41 78-19 | Bail, Control, Drive | 28 | 812 00 00-58 | E-Ring 7/16 |
| 3 | 532 16 45-57 | Bracket, Downstop | 29 | 532 18 94-03 | Cover, Dust, Wheel |
| 4 | 532 19 96-87 | Screw | 31 | 532 40 48-45 | Pawl, Drive |
| 6 | 532 75 06-34 | Screw, Tapping, Hex Washer Head #10-24 | 32 | 532 41 37-23 | Wheel & Tire Assembly, Rear, Driven |
| 8 | 532 19 17-30 | Nut, Hex | 33 | 532 40 91-48 | Nut, Hex, Flangelock |
| 11 | 532 40 65-58 | Spring, Return | 34 | 532 85 12-26 | Washer |
| 13 | 532 41 92-13 | Gearcase Assembly, Complete | 35 | 532 41 09-22 | Shaft Assembly, Rear |
| 14 | 532 40 57-03 | Pulley, Driven | 36 | 532 41 09-33 | Shaft Assembly, Front |
| 15 | 532 08 83-48 | Washer, Flat 3/8 | 37 | 532 16 14-63 | Retainer, Front Shaft |
| 16 | 532 40 71-47 | Rod, Connecting | 38 | 532 16 34-09 | Screw, Hi-Lo Thread #12 x 5/8 |
| 17 | 532 40 96-16 | Spring, Extension | 39 | 532 40 70-59 | Bolt, Shoulder, Semi-Gimlett Point |
| 18 | 532 41 88-66 | Spring, Selector | 40 | 532 41 09-21 | Wheel & Tire Assembly, Front |
| 19 | 532 19 00-69 | Knob, Selector Spring | 41 | 532 40 48-35 | Pinion Assembly |
| 20 | 812 00 00-22 | E-Ring 7/8 | 42 | 532 19 74-80 | O-Ring |
| 21 | 532 40 48-38 | Bearing Assembly | 44 | 532 40 65-57 | V-Belt |
| 23 | 532 16 45-55 | Retainer, Drive Assembly | 47 | 532 06 77-25 | Washer 1/2 x 1-1/2 x .134 |
| 24 | 817 06 04-10 | Screw, Tapping, Hex Head 1/4-20 x 5/8 | 50 | 532 41 37-22 | Belt Keeper |

NOTE: All component dimensions given in U.S. inches. 1 inch = 25.4 mm

IMPORTANT: Use only Original Equipment Manufacturer (O.E.M.) replacement parts. Failure to do so could be hazardous, damage your lawn mower and void your warranty.