

**REPAIR PARTS MANUAL**  
**MODEL NO. LZ175H107RBK (96061021003)**  
**Lawn Tractor**

---

**LAZER<sup>®</sup>**

# HOW TO USE THIS MANUAL

This manual is designed to provide the customer with a means to identify the parts on his/her tractor when ordering repair parts. The illustrations may or may not represent the actual assemblies; therefore, it is not recommended to use this manual as a guide to assemble or disassemble the tractor. Some hardware and parts are drawn larger in order to more readily identify them.

Each tractor has its own model number.

The model number for your tractor can be found on the fender under the seat.

When ordering parts, always give the following information:

- Product - "Lawn Tractor"
- Model Number - "LZ175H107RBK" (96061021003)
- Part Number
- Part Description

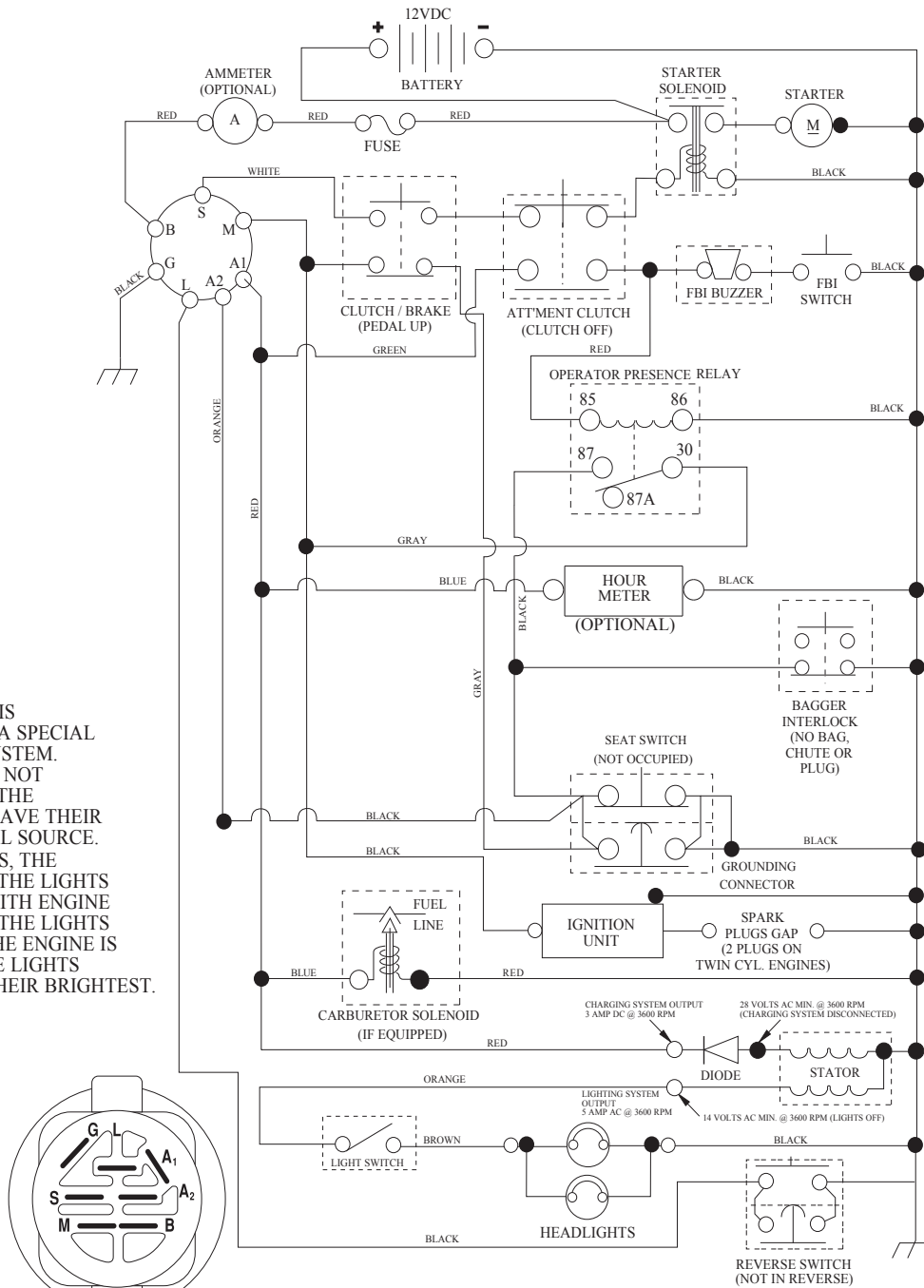
## TABLE OF CONTENTS

|                                    |                   |
|------------------------------------|-------------------|
| <b>SCHEMATIC .....</b>             | <b>3</b>          |
| <b>ELECTRICAL.....</b>             | <b>4-5</b>        |
| <b>CHASSIS AND ENCLOSURES.....</b> | <b>6-7</b>        |
| <b>DRIVE.....</b>                  | <b>8-9</b>        |
| <b>ENGINE.....</b>                 | <b>10-11</b>      |
| <b>STEERING WHEEL .....</b>        | <b>12-13</b>      |
| <b>MOWER DECK .....</b>            | <b>14-15</b>      |
| <b>MOWER LIFT .....</b>            | <b>16</b>         |
| <b>SEAT .....</b>                  | <b>17</b>         |
| <b>DECALS.....</b>                 | <b>18</b>         |
| <b>BAGGER.....</b>                 | <b>19</b>         |
| <b>WARRANTY.....</b>               | <b>BACK COVER</b> |

# TRACTOR - MODEL NO. LZ175H107RBK (96061021003), PRODUCT NO. 960 61 02-10 SCHEMATIC

SCH08

**NOTE**  
YOUR TRACTOR IS EQUIPPED WITH A SPECIAL ALTERNATOR SYSTEM. THE LIGHTS ARE NOT CONNECTED TO THE BATTERY, BUT HAVE THEIR OWN ELECTRICAL SOURCE. BECAUSE OF THIS, THE BRIGHTNESS OF THE LIGHTS WILL CHANGE WITH ENGINE SPEED. AT IDLE THE LIGHTS WILL DIM. AS THE ENGINE IS SPEEDED UP, THE LIGHTS WILL BECOME THEIR BRIGHTEST.



IGNITION SWITCH

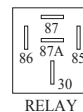
| POSITION     | CIRCUIT    | "MAKE" |
|--------------|------------|--------|
| OFF          | M+G+A1     |        |
| RUN/OVERRIDE | B+A1       |        |
| RUN          | B+A1       | L+A2   |
| START        | B + S + A1 |        |

WIRING INSULATED CLIPS

NOTE: IF WIRING INSULATED CLIPS WERE REMOVED FOR SERVICING OF UNIT, THEY SHOULD BE RE-INSTALLED TO PROPERLY SECURE YOUR WIRING.

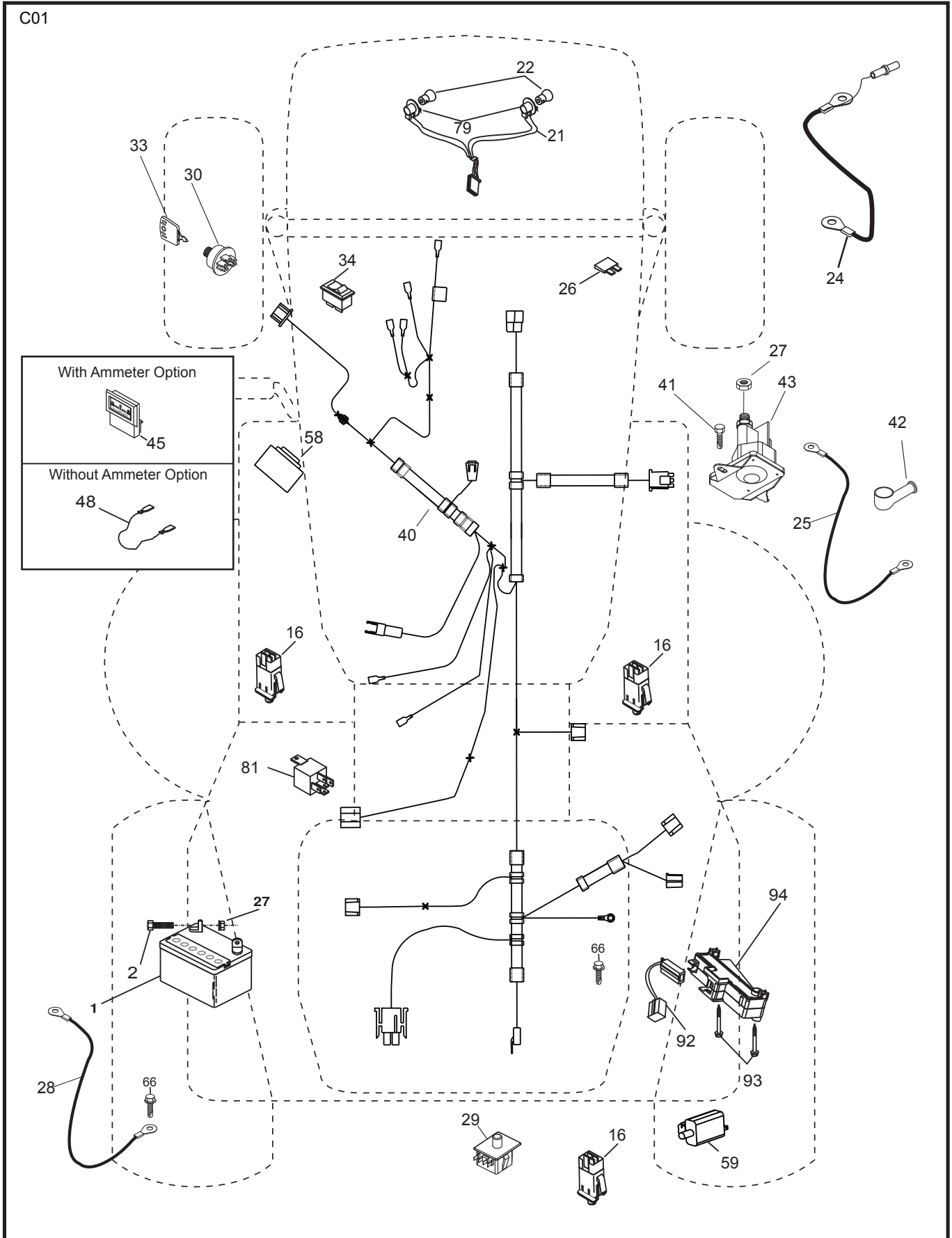
REMOVABLE CONNECTIONS

NON-REMOVABLE CONNECTIONS



TRACTOR - MODEL NO. LZ175H107RBK (96061021003), PRODUCT NO. 960 61 02-10  
ELECTRICAL

C01



**TRACTOR - MODEL NO. LZ175H107RBK (96061021003), PRODUCT NO. 960 61 02-10  
ELECTRICAL**

| <b>KEY NO.</b> | <b>PART NO.</b> | <b>DESCRIPTION</b>                |
|----------------|-----------------|-----------------------------------|
| 1              | 532 16 34-65    | Battery                           |
| 2              | 874 76 04-12    | Bolt Hex Hd 1/4-20 unc x 3/4      |
| 16             | 532 17 61-38    | Switch Interlock                  |
| 21             | 532 18 37-59    | Harness Asm Light W/4152J         |
| 22             | 532 00 41-52    | Bulb Light #1156                  |
| 24             | 532 16 59-87    | Cable Battery Crd 56" Red         |
| 25             | 532 42 12-99    | Cable Starter 6 Ga. 11" Red       |
| 26             | 532 17 51-58    | Fuse                              |
| 27             | 873 51 04-00    | Nut Keps Hex 1/4-20 unc           |
| 28             | 532 12 77-25    | Cable Ground 6 Ga. 18" Black      |
| 29             | 532 19 27-49    | Switch Seat                       |
| 30             | 532 19 33-50    | Switch Ignition                   |
| 33             | 532 41 19-35    | Key/Chain                         |
| 34             | 532 11 07-12    | Switch Light                      |
| 40             | 532 19 74-36    | Harness Ignition                  |
| 41             | 871 11 04-08    | Bolt Flk Fin Hex 1/4-20 unc x 1/2 |
| 42             | 532 13 15-63    | Cover Terminal Red                |
| 43             | 532 19 25-07    | Solenoid                          |
| 48             | 532 14 08-44    | Adapter Ammeter Rectangular       |
| 58             | 532 16 94-19    | Buzzer CRD                        |
| 59             | 532 18 03-79    | Switch FBI CRD                    |
| 66             | 817 49 06-08    | Screw Thdrol 3/8-16 x 1/2 Ty-Tt   |
| 79             | 532 17 52-42    | Socket Asm. Bulb Twist Lock       |
| 81             | 532 10 97-48    | Relay Asm                         |
| 92             | 532 19 66-15    | Harness Pigtail                   |
| 93             | 532 19 25-40    | Screw Plastite 10-14 x 2.0        |
| 94             | 532 19 18-34    | Module Reverse                    |

**NOTE:** All component dimensions given in U.S. inches.  
1 inch = 25.4 mm.



**TRACTOR - MODEL NO. LZ175H107RBK (96061021003), PRODUCT NO. 960 61 02-10  
CHASSIS AND ENCLOSURES**

| KEY NO. | PART NO.     | DESCRIPTION                                     | KEY NO. | PART NO.     | DESCRIPTION                         |
|---------|--------------|---|---------|--------------|-------------------------------------|
| 1       | 532 17 46-20 | Chassis   | 163     | 532 18 03-83 | Bracket Exten Chassis RH CRD        |
| 2       | 532 18 03-84 | Drawbar   | 164     | 532 16 56-05 | Support Battery CRD                 |
| 3       | 817 06 06-12 | Screw 3/8-16 x 3/4                              | 165     | 532 18 13-56 | Cover Battery                       |
| 5       | 532 15 52-72 | Bumper Hood/Dash                                | 170     | 532 19 94-88 | Backplate CRD                       |
| 6       | 532 18 44-19 | Saddle  | 171     | 872 14 06-20 | Bolt Rdhd Sqnk 3/8-16 x 2-1/2 Gr. 5 |
| 8       | 532 12 64-71 | Clip Insulator 13/32 Mtg. Hole                  | 172     | 819 13 20-16 | Washer 13/32 x 1-1/4 x 16 Ga.       |
| 9       | 532 19 46-88 | Dash  | 173     | 873 51 06-00 | Nut, Keps Hex 3/8-16 unc            |
| 10      | 872 14 06-08 | Bolt, Carriage 3/8-16 x 3/4                     | 175     | 532 18 82-03 | Door Trap                           |
| 11      | 532 17 49-96 | Panel, Dash, LH                                 | 179     | 532 18 82-02 | Rod Pivot FBI CRD                   |
| 13      | 532 18 69-52 | Panel, Asm. Dash RH                             | 184     | 532 17 46-62 | Bracket Actuator Bagger CRD         |
| 15      | 874 18 05-12 | Screw, Machine, Truss Head<br>5/16-18 unc x 3/4 | 185     | 532 18 11-01 | Knob Rod Brake Parking              |
| 16      | 873 51 05-00 | Nut   | 186     | 532 16 07-93 | Latch Asm Mulch/Bagger              |
| 17      | 532 18 67-07 | Hood  | 187     | 532 12 50-04 | Nut Weld                            |
| 18      | 532 18 49-21 | Bumper Hood                                     | 188     | 819 06 12-16 | Washer #10                          |
| 24      | 874 78 06-16 | Bolt  | 189     | 810 07 10-00 | Washer Lock #10                     |
| 25      | 819 13 13-12 | Washer 13/32 x 13/16 x 12 Ga.                   | 190     | 871 08 10-10 | Screw Pan Hd Phillip 10-24 x 5/8    |
| 26      | 873 80 06-00 | Nut   | 198     | 532 16 89-37 | Nut, Push                           |
| 28      | 532 42 67-92 | Grille  | 205     | 817 49 06-08 | Screw Thdrol 3/8-16 x 1/2           |
| 29      | 532 18 98-37 | Lens, Grille                                    | 207     | 817 67 05-08 | Screw Thdrol 5/16-18 x 1/2          |
| 30      | 532 19 73-44 | Fender  | 208     | 817 67 06-08 | Screw Thdrol 3/8-16 x 1/2           |
| 31      | 532 16 51-56 | Bracket, Fender Support                         | 209     | 817 00 06-12 | Screw Hex Wsh Thdrol 3/8-16         |
| 33      | 532 18 11-93 | Footrest, LH                                    | 212     | 532 18 38-23 | Insert Lens Reflective              |
| 34      | 532 18 11-94 | Footrest, RH                                    | 256     | 532 18 13-61 | Cover Fender Rack                   |
| 35      | 872 11 06-06 | Bolt  | 265     | 532 18 57-04 | Seal RH Side Bagger                 |
| 37      | 817 49 05-08 | Screw Thdrol 5/16-18 x 1/2 TYT                  | 266     | 532 18 57-03 | Seal LH Side Bagger                 |
| 38      | 532 18 17-48 | Bracket Asm Pivot Mower Rear                    | 278     | 532 41 63-58 | Screw #10 0.750 BOS Thread          |
| 39      | 532 40 78-07 | Bracket Pivot                                   | --      | 532 00 54-79 | Plug                                |
| 69      | 532 14 24-32 | Screw Hx Wsh Hi-Lo 1/4-1/2                      |         |              |                                     |
| 89      | 532 19 73-66 | Console Crd Auto                                |         |              |                                     |
| 145     | 532 40 91-67 | Rod Pivot Chassis/Hood                          |         |              |                                     |
| 162     | 532 18 03-82 | Bracket Exten Chassis LH CRD                    |         |              |                                     |

**NOTE:** All component dimensions given in U.S. inches.  
1 inch = 25.4 mm.



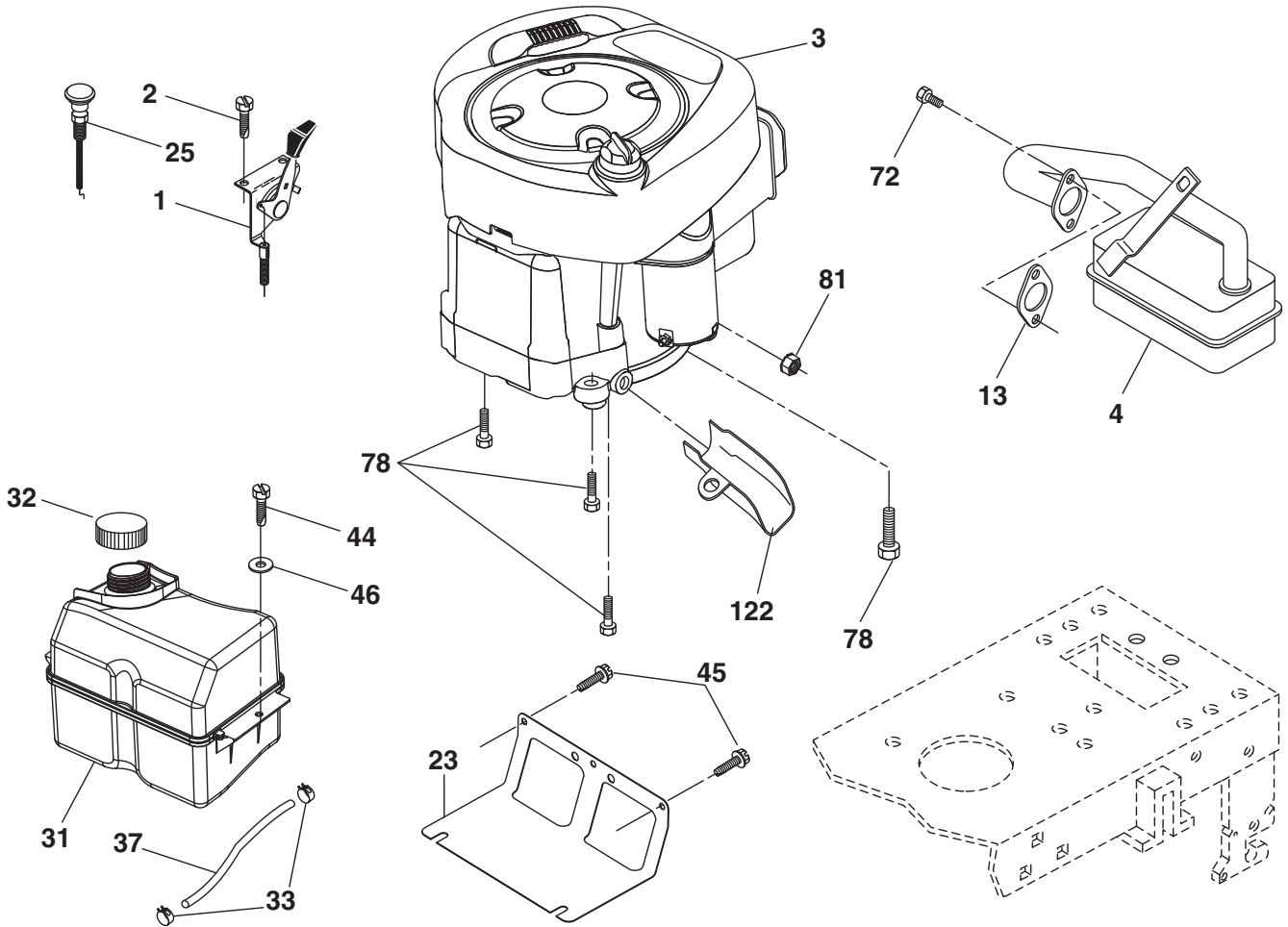


# TRACTOR - MODEL NO. LZ175H107RBK (96061021003), PRODUCT NO. 960 61 02-10 DRIVE

| KEY NO. | PART NO.     | DESCRIPTION  | KEY NO. | PART NO.     | DESCRIPTION                       |
|---------|--------------|--|---------|--------------|-----------------------------------|
| 1       | -----        | Transaxle Hydro Gear 321-0510<br>(Order parts from transaxle manufacturer) | 112     | 819 09 12-10 | Washer 9/32 x 3/4 x 10 Ga.        |
| 8       | 532 19 27-06 | Rod, Shift   | 120     | 873 90 06-00 | Nut Lock Flg. 3/8-16 unc          |
| 9       | 532 40 85-79 | Clutch Asm Noram   | 150     | 532 16 58-50 | Bushing, Bellcrank Grnd Dr.       |
| 10      | 876 02 04-16 | Pin, Cotter 1/8 x 1  | 151     | 819 13 32-10 | Washer 13/32 x 2 x 10 Ga.         |
| 14      | 810 04 04-00 | Washer, Lock Hvy Helical   | 156     | 532 16 60-02 | Washer Srrted 5/16 ID x 1.125     |
| 15      | 874 49 05-44 | Bolt Hex FGHD 5/16-18 x Gr. 5  | 158     | 532 16 55-89 | Bracket Shift Mount               |
| 16      | 873 80 05-00 | Nut Lock Hex W/Ins 5/16-18 unc   | 159     | 532 18 39-00 | Hub Shift                         |
| 19      | 873 80 06-00 | Nut Lock Hex W/Ins 3/8-16 unc  | 161     | 872 14 04-06 | Bolt Rdhd Sqnk 1/4-20 x 3/4 Gr. 5 |
| 21      | 532 13 05-64 | Knob   | 162     | 873 68 04-00 | Nut Crownlock 1/4-20 unc          |
| 22      | 532 17 56-07 | Rod, Brake   | 163     | 874 78 04-16 | Bolt Hex Fin 1/4-20 unc x 1 Gr. 5 |
| 24      | 873 35 06-00 | Nut  | 165     | 532 16 56-23 | Bracket Pivot Lever               |
| 25      | 532 19 20-36 | Spring, Rod, Brake   | 166     | 817 49 05-10 | Screw 5/16-18 x 5/8               |
| 27      | 876 02 04-12 | Pin, Cotter 1/8 x 3/4  | 167     | 532 16 55-88 | Bracket Support Shift CRD         |
| 28      | 532 17 57-65 | Rod, Parking Brake   | 168     | 532 16 54-92 | Bolt Shoulder 5/16-18 x .561      |
| 29      | 532 07 16-73 | Cap, Parking Brake   | 169     | 532 16 55-80 | Plate Fastening Lt                |
| 30      | 532 16 95-92 | Bracket, Mfg. Transaxle  | 171     | 817 49 06-08 | Screw Thdrol 3/8-16 x 1/2 Ty-Tt   |
| 34      | 532 17 55-78 | Shaft, Asm Pedal Foot CRD  | 172     | 532 17 02-71 | Shaft Asm Shifter Frt CRD         |
| 35      | 532 12 01-83 | Bearing, Nylon   | 177     | 532 16 59-32 | Keeper Flat Idler 3.06" CRD       |
| 36      | 819 21 16-16 | Washer 21/32 x 1 x 16 Ga.  | 181     | 532 18 02-11 | Bracket Idler Ground Drive CRD    |
| 37      | 532 12 49-63 | Pin, Roll 3/16 x 1"  | 182     | 532 18 26-82 | Keeper Belt 2.5" Od V-Idler CRD   |
| 38      | 532 16 59-36 | Pulley Flat Composite 3.06"  | 183     | 532 19 95-34 | Pulley V-Idler                    |
| 39      | 874 76 06-44 | Bolt Fin Hex 3/8-16 unc x 2-3/4  | 185     | 532 17 00-08 | Link Shift                        |
| 40      | 532 12 49-65 | Spacer, Split 395 x 59 Bzp   | 186     | 532 16 56-14 | Hub Tapered Round CRD             |
| 42      | 819 13 13-12 | Washer 13/32 x 13/16 x 12 Ga.  | 187     | 817 58 05-20 | Screw Thdrol 5/16-18 x 1.25       |
| 43      | 819 11 10-12 | Washer 11/32 x 5/8 x 12 Ga.  | 197     | 532 16 96-13 | Nyliner Snap-In 5/8               |
| 47      | 532 12 77-83 | Pulley, Idler, V Groove Plastic  | 199     | 532 16 96-12 | Bolt Shoulder 5/16-18 unc         |
| 48      | 532 15 44-07 | Bellcrank Clutch Grnd Drv  | 200     | 872 14 05-08 | Bolt RDHD SQNK 5/16-18 x 1        |
| 49      | 532 12 32-05 | Retainer, Belt Style Spring  | 203     | 871 17 07-80 | Bolt Hex 7/16-20 x 5              |
| 50      | 872 11 06-12 | Bolt 3/8-16 x 1-1/2 Gr. 5  | 207     | 532 16 98-45 | Washer Nylon Rear                 |
| 51      | 873 68 06-00 | Nut, Crownlock 3/8-16 unc  | 214     | 532 17 56-09 | Shaft Asm. Brake                  |
| 52      | 873 68 05-00 | Nut, Crownlock 5/16-18   | 215     | 532 17 56-52 | Rod Brake Hydro                   |
| 53      | 532 19 96-52 | Link, Clutch 7.66  | 252     | 819 13 16-16 | Washer 13/32 x 1 x 16 Ga.         |
| 55      | 532 10 57-09 | Spring, Return, Clutch   | 253     | 532 17 50-28 | Bracket Cable Chassis             |
| 56      | 817 06 06-20 | Screw 3/8-16 x 1-1/4   | 254     | 817 00 06-16 | Screw 3/8-16 x 1                  |
| 57      | 532 17 01-40 | V-Belt Kev 112" 0650 CRD   | 255     | 532 17 56-08 | Brace Shaft Brake Mtg.            |
| 62      | 532 12 48-72 | Cover, Pedal   | 258     | 532 17 80-62 | Clip Retainer                     |
| 65      | 810 04 07-00 | Washer   | 259     | 532 18 02-12 | Bracket Pulley                    |
| 66      | 532 15 47-78 | Keeper, Belt Engine F-Proof  | 261     | 532 13 14-94 | Pulley Idler                      |
| 71      | 532 16 91-83 | Strap, Torque, LH  | 262     | 872 11 06-22 | Bolt 3/8-16 x 2-3/4 Gr. 5         |
| 73      | 532 16 91-82 | Strap, Torque, RH  | 263     | 817 00 06-12 | Screw 3/8-16 x 3/4                |
| 74      | 532 13 70-57 | Spacer, Split  | 264     | 532 43 11-74 | Bracket Clutch Mounting           |
| 75      | 532 12 17-49 | Washer 25/32 x 1-1/4 x 16 Ga.  | 265     | 532 40 46-07 | Spacer Idler Chassis              |
| 76      | 812 00 00-01 | Ring, E  | 266     | 532 18 20-61 | Shield Idler Mower                |
| 77      | 532 12 35-83 | Key, Square  | 268     | 532 18 24-02 | Guard Muffler                     |
| 78      | 532 12 17-48 | Washer 25/32 x 1-5/8 x 16 Ga.  | 275     | 819 13 16-14 | Washer 13/32 x 1 x 14 Ga.         |
| 81      | 532 17 00-06 | Asm, Shaft, Cross Rear   | 292     | 532 40 02-71 | Spacer                            |
| 82      | 532 16 57-11 | Spring, Torsion  | 293     | 872 14 06-28 | Bolt 3/8-16 x 3-1/2               |
| 83      | 819 17 12-16 | Washer 17/32 x 3/4 x 16 Ga.  | 294     | 532 19 70-33 | Nut Jam 3/8-16                    |
| 84      | 532 17 00-07 | Link, Transaxle  | 295     | 532 17 91-14 | Pulley Idler                      |
| 95      | 532 17 00-15 | Control Asm Bypass Hydro   | 297     | 817 49 06-10 | Screw 3/8-16 x 5/8                |
| 96      | 532 12 47-88 | Spring, Retainer 1"  |         |              |                                   |

**NOTE:** All component dimensions given in U.S. inches  
1 inch = 25.4 mm

**TRACTOR - MODEL NO. LZ175H107RBK (96061021003), PRODUCT NO. 960 61 02-10  
ENGINE**



29

**OPTIONAL EQUIPMENT**  
**Spark Arrester**

engine-CRD\_bs\_20

**TRACTOR - MODEL NO. LZ175H107RBK (96061021003), PRODUCT NO. 960 61 02-10  
ENGINE**

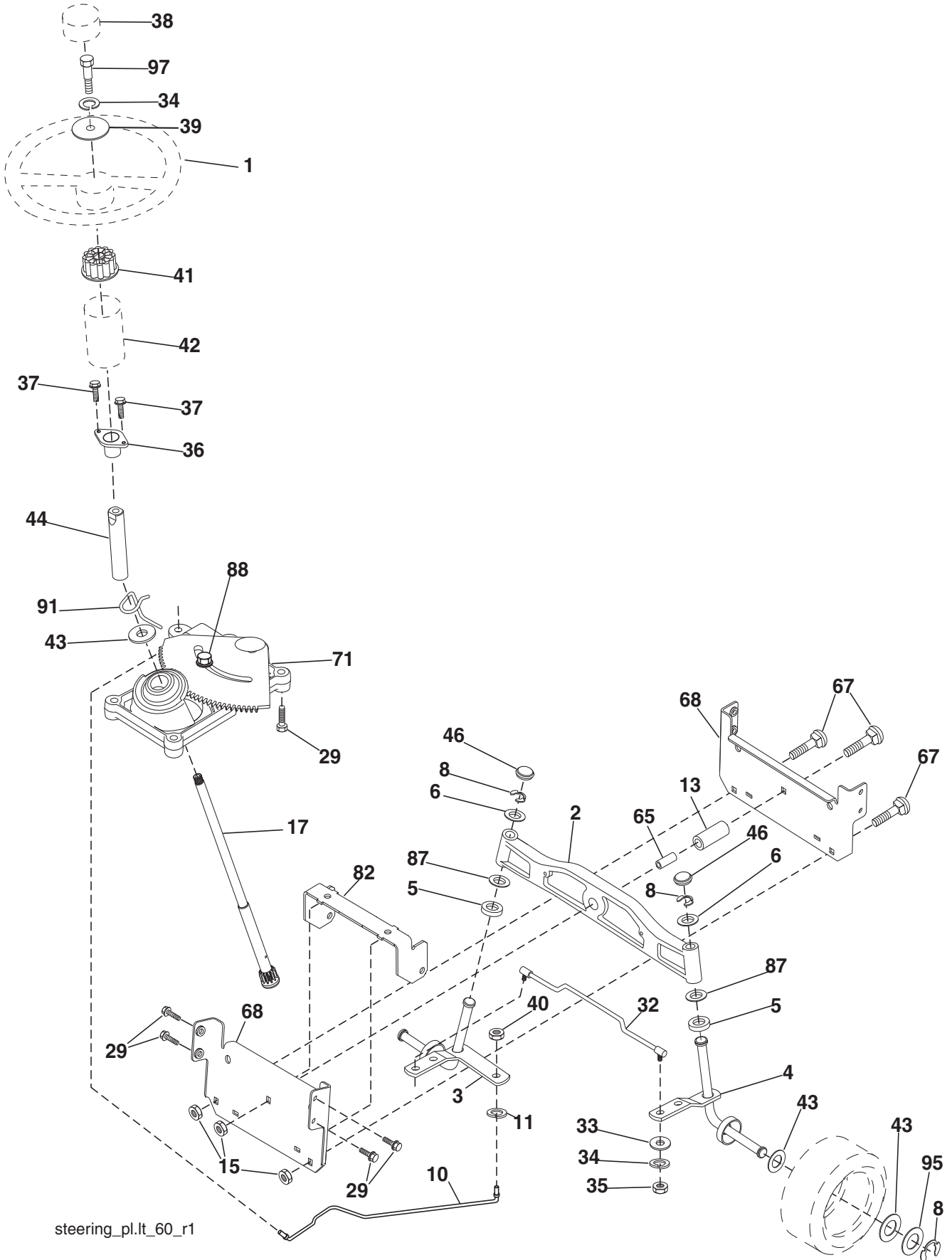
| <b>KEY NO.</b> | <b>PART NO.</b> | <b>DESCRIPTION</b>               |
|----------------|-----------------|----------------------------------|
| 1              | 532 17 05-51    | Control Throt/Ck                 |
| 2              | 817 72 04-08    | Screw Hex Thd Cut 1/4-20 x 1/2   |
| 3              | -----           | Engine B&S Model 31C707-1429-B1  |
| 4              | 532 13 73-52    | Muffler                          |
| 13             | 532 16 52-91    | Gasket Muffler                   |
| 23             | 532 16 98-37    | Shield Brn/Dbr Guard             |
| 25             | 532 19 06-95    | Control Choke                    |
| 29             | 532 13 71-80    | Kit Spark Arrester (Flat Scrn)   |
| 31             | 532 40 75-51    | Tank Fuel 2.00                   |
| 32             | 532 43 02-20    | Cap Asm Fuel                     |
| 33             | 532 12 34-87    | Clamp Hose Blk                   |
| 37             | 532 13 70-40    | Line Fuel                        |
| 44             | 817 67 04-12    | Screw Hexwsh Thdrol 1/4-20 x 3/4 |
| 45             | 817 00 06-12    | Screw Hexwsh Thdr 3/8-16 x 3/4   |
| 46             | 819 09 14-16    | Washer 9/32 x 7/8 x 16 Ga.       |
| 72             | 532 19 23-34    | Screw 1/4-20 x 3/4               |
| 78             | 817 06 06-20    | Screw 3/8-16 x 1/4               |
| 81             | 873 51 04-00    | Nut Keps Hex 1/4-20 unc          |
| 122            | 532 42 19-22    | Extension Drain Oil              |

**NOTE:** All component dimensions given in U.S. inches  
1 inch = 25.4 mm

**Engine Power Rating Information**

The gross power rating for individual gas engine models is labeled in accordance with SAE (Society of Automotive Engineers) code J1940 (Small Engine Power & Torque Rating Procedure), and rating performance has been obtained and corrected in accordance with SAE J1995 (Revision 2002-05). Torque values are derived at 3060 RPM; horsepower values are derived at 3600 RPM. Actual gross engine power will be lower and is affected by, among other things, ambient operating conditions and engine-to-engine variability. Given both the wide array of products on which engines are placed and the variety of environmental issues applicable to operating the equipment, the gas engine will not develop the rated gross power when used in a given piece of power equipment (actual "on-site" or net power). This difference is due to a variety of factors including, but not limited to, accessories (air cleaner, exhaust, charging, cooling, carburetor, fuel pump, etc.), application limitations, ambient operating conditions (temperature, humidity, altitude), and engine-to-engine variability. Due to manufacturing and capacity limitations, Briggs & Stratton may substitute an engine of higher rated power for this Series engine.

**TRACTOR - MODEL NO. LZ175H107RBK (96061021003), PRODUCT NO. 960 61 02-10**  
**STEERING ASSEMBLY**



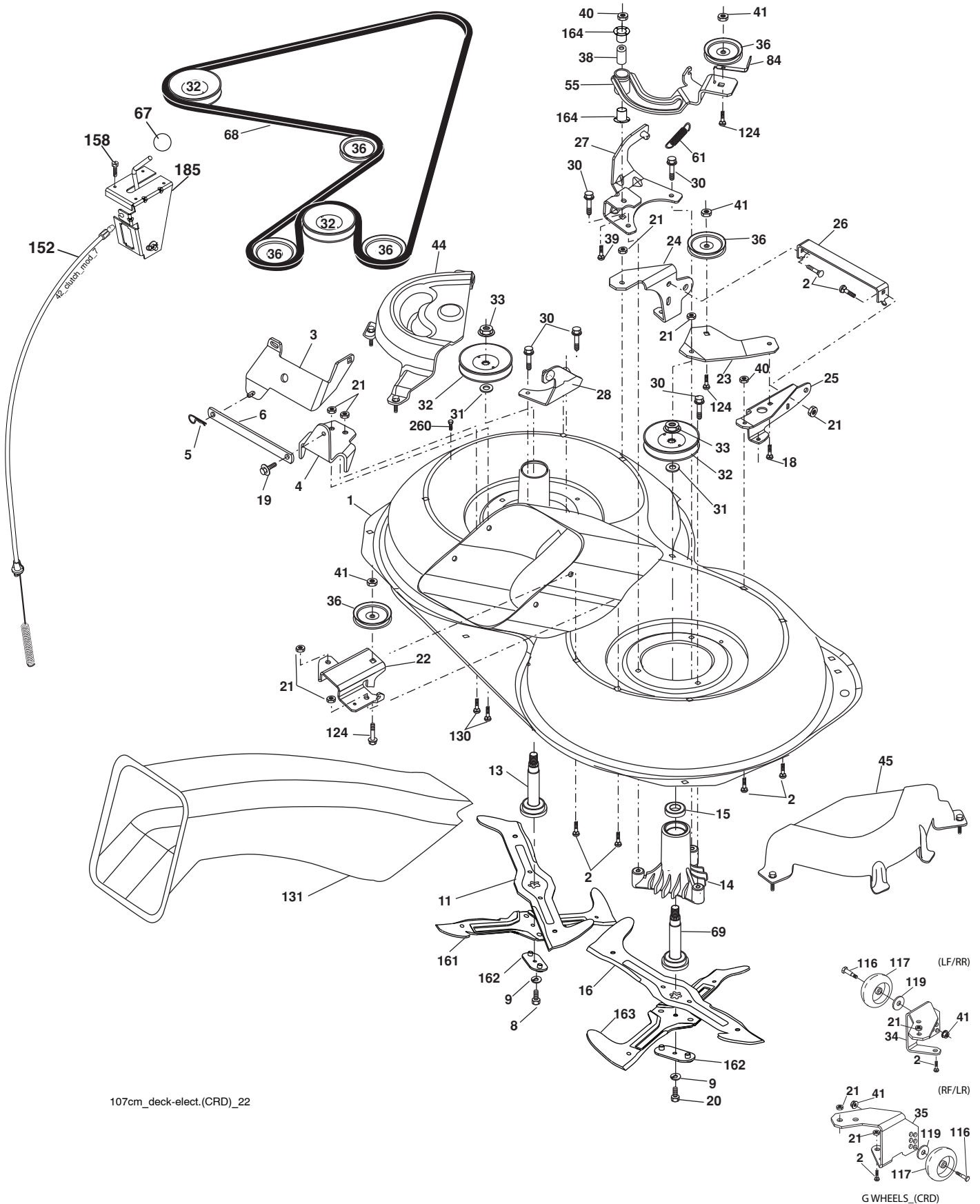
steering\_pl.it\_60\_r1

**TRACTOR - MODEL NO. LZ175H107RBK (96061021003), PRODUCT NO. 960 61 02-10  
STEERING ASSEMBLY**

| <b>KEY NO.</b> | <b>PART NO.</b> | <b>DESCRIPTION</b>               |
|----------------|-----------------|----------------------------------|
| 1              | 532 42 41-46    | Steering Wheel                   |
| 2              | 532 18 47-06    | Front Axle Assembly              |
| 3              | 532 16 98-40    | Spindle Assembly, LH             |
| 4              | 532 16 98-39    | Spindle Assembly, RH             |
| 5              | 532 12 49-31    | Washer Thrust 0.75 x 1.230       |
| 6              | 532 12 17-48    | Washer 25/32 x 1-5/8 x 16 Ga.    |
| 8              | 812 00 00-29    | Ring, Clip                       |
| 10             | 532 17 51-21    | Link, Drag                       |
| 11             | 810 04 06-00    | Washer, Lock                     |
| 13             | 532 13 65-18    | Spacer Axle                      |
| 15             | 532 14 52-12    | Nut Hex Flange Lock              |
| 17             | 532 19 07-53    | Shaft Assembly, Steering         |
| 29             | 817 00 06-12    | Screw 3/8-16 x 3/4               |
| 32             | 532 17 01-62    | Rod, Tie                         |
| 33             | 819 11 12-16    | Washer 11/32 x 3/4 x 16 Ga.      |
| 34             | 810 04 05-00    | Washer Lock Hvy Hlcl Spr 5/16    |
| 35             | 873 54 05-00    | Crownlock Nut 5/16-24 unf        |
| 36             | 532 15 50-99    | Bushing, Steering                |
| 37             | 532 15 29-27    | Screw TT #10-32 x 5 x 3/8 Flange |
| 38             | 532 42 46-91    | Cap Wheel Steering               |
| 39             | 819 11 38-12    | Washer 11/32 x 2-3/8 x 12 Ga.    |
| 40             | 873 54 06-00    | Nut Crownlock 3/8-24             |
| 41             | 532 18 67-37    | Adaptor, Steering Wheel          |
| 42             | 532 16 96-33    | Boot, Steering Dash P/L Mtl      |
| 43             | 532 12 17-49    | Washer 25/32 x 1-1/4 x 16 Ga.    |
| 44             | 532 19 07-52    | Extension Steering               |
| 46             | 532 12 12-32    | Cap, Spindle                     |
| 65             | 532 41 47-36    | Spacer Axle                      |
| 67             | 872 11 06-18    | Bolt Rdhd Sq 3/8-16 x 2-1/4      |
| 68             | 532 16 98-27    | Brace Axle                       |
| 71             | 532 17 51-46    | Steering Asm.                    |
| 82             | 532 19 99-78    | Bracket Susp. Chassis Front      |
| 87             | 532 17 39-66    | Washer Flat .781 x 1-1/2 x .14   |
| 88             | 532 17 51-18    | Bolt Shoulder 7/16-20 unc        |
| 91             | 532 17 55-53    | Clip Steering                    |
| 95             | 532 18 89-67    | Washer Hardened                  |
| 97             | 532 42 89-82    | Bolt 5/16-18 x 4 w/Patch         |

**NOTE:** All component dimensions given in U.S. inches.  
1 inch = 25.4 mm.

**TRACTOR - MODEL NO. LZ175H107RBK (96061021003), PRODUCT NO. 960 61 02-10  
MOWER**

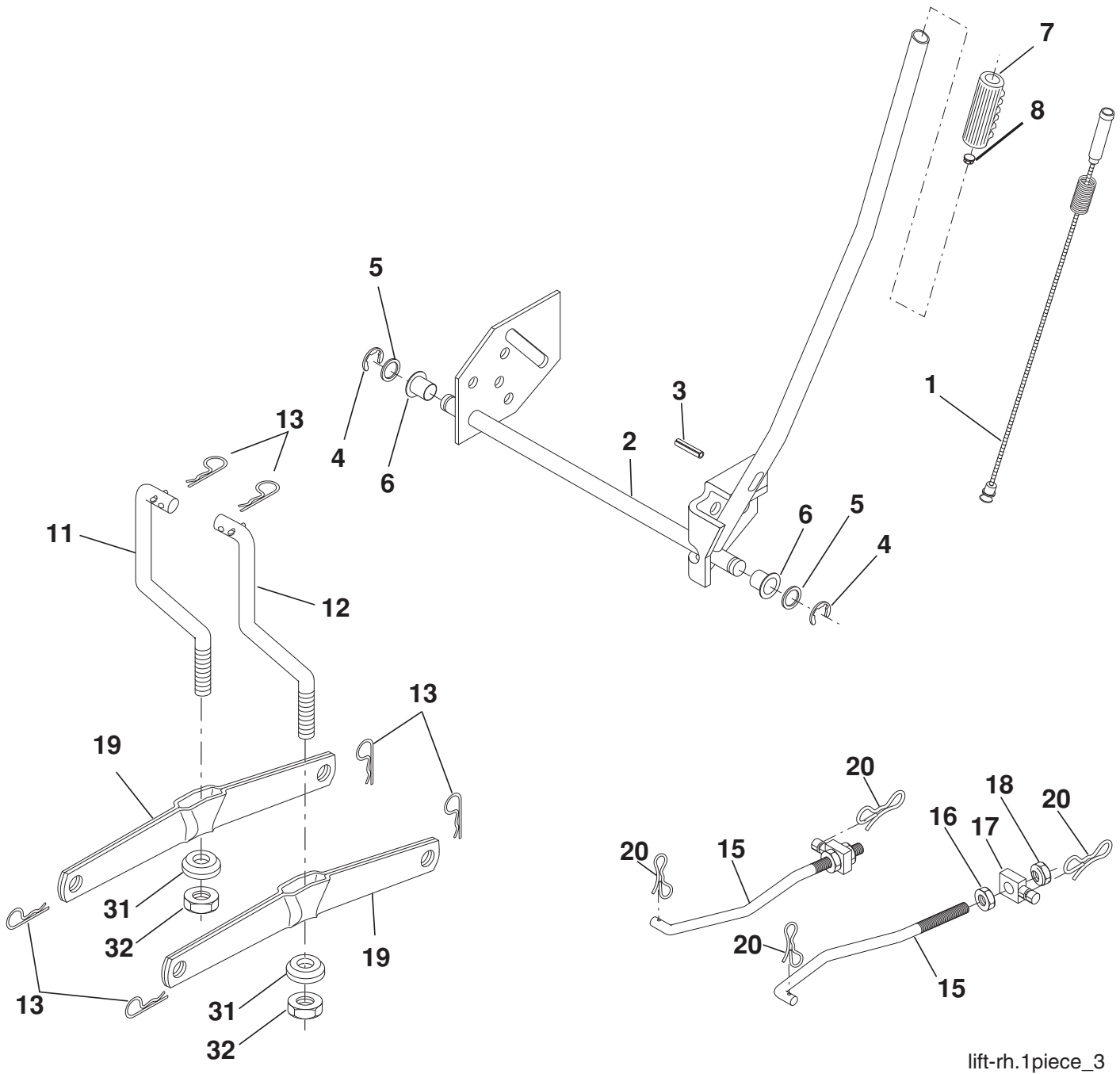


# TRACTOR - MODEL NO. LZ175H107RBK (96061021003), PRODUCT NO. 960 61 02-10 MOWER

| KEY NO. | PART NO.     | DESCRIPTION                         | KEY NO. | PART NO.     | DESCRIPTION   |
|---------|--------------|-------------------------------------|---------|--------------|---|
| 1       | 532 16 91-60 | Housing Asm. Mower                  | 41      | 873 90 06-00 | Nut Flangelock 3/8-16 unc   |
| 2       | 872 14 05-06 | Bolt Rdhd Sqnk 5/16-18 unc x 3/4    | 44      | 532 17 55-38 | Cover Mandrel LH  |
| 3       | 532 43 18-64 | Bracket Asm. S-Bar Chass            | 45      | 532 17 55-39 | Cover Mandrel RH  |
| 4       | 532 16 91-67 | Bracket Bar Sway Deck               | 46      | 532 13 77-29 | Screw Thd Roll 1/4-20 x 5/8   |
| 5       | 532 12 46-70 | Retainer Spring                     | 55      | 532 16 98-49 | Arm Idler   |
| 6       | 532 16 55-57 | Bar Sway                            | 61      | 532 19 94-87 | Spring Tension  |
| 8       | 532 18 17-12 | Bolt 3/8-24 x 1.25 Gr. 8 Patched    | 67      | 532 10 69-32 | Knob  |
| 9       | 810 03 06-00 | Washer Lock Hvy 3/8 Unplated        | 68      | 532 40 20-09 | Belt, Drive   |
| 11      | 532 18 05-83 | Blade 3-1 LH                        | 69      | 532 16 54-82 | Shaft Asm W/Lwr Brg Rh Thd CRD  |
| 13      | 532 13 76-45 | Shaft Asm. w/Lower Bearing          | 84      | 532 15 60-85 | Keeper Belt Idler   |
| 14      | 532 12 87-74 | Housing Mandrel Vented (Machd)      | 116     | 532 19 34-06 | Bolt Shoulder   |
| 15      | 532 11 04-85 | Bearing Ball Mandrel                | 117     | 532 17 48-73 | Wheel Gauge   |
| 16      | 532 18 05-84 | Blade 3-1 RH                        | 119     | 819 13 20-12 | Washer 13/32 x 1 1/4 x 12 Ga.   |
| 18      | 872 11 06-06 | Bolt Rdhd Sqnk 3/8-16 x 3/4 Gr. 5   | 124     | 872 11 06-12 | Bolt Carr Sh 3/8-16 x 1-1/2 Gr. 5   |
| 19      | 532 13 28-27 | Bolt Shoulder 5/16-18 Thd Form      | 130     | 872 11 05-06 | Bolt Rdhdsqnk 5/16-18 unc x 3/4   |
| 20      | 532 18 17-13 | Bolt 3/8-24 x 1.25 Gr. 8 Ptch LHthd | 131     | 532 16 56-61 | Chute Bagger CRD 92cm   |
| 21      | 873 68 05-00 | Nut Crown Lock 5/16-18              | 152     | 532 17 60-74 | Cable Clutch  |
| 22      | 532 16 91-65 | Bracket Idler Sprr RR               | 158     | 817 72 04-08 | Screw 1/4-20 x 1/2  |
| 23      | 532 16 91-66 | Bracket Idler Sprr RF               | 161     | 532 18 04-24 | Blade Cross LH 107  |
| 24      | 532 41 34-36 | Bracket Suspension LF               | 162     | 532 18 08-78 | Adapter Weldment Blade 107  |
| 25      | 532 40 01-05 | Bracket Suspension RF               | 163     | 532 18 04-25 | Blade Cross RH 107  |
| 26      | 532 40 01-10 | Brace Support Susp Frt CRD          | 164     | 532 12 49-37 | Bearing   |
| 27      | 532 16 91-72 | Bracket Asm. Susp RR                | 185     | 532 18 82-34 | Head Asm Cable Clutch   |
| 28      | 532 16 91-68 | Bracket Asm. Susp LR                | --      | 532 18 18-57 | Mandrel Assembly (Includes housing, shaft assembly, and bearing only - pulley/nut/washer and blade bolt/washers not included) |
| 30      | 532 17 39-84 | Screw Thd Rolling Dod. PT Hex       | --      | 532 18 18-58 | Mandrel Asm CRD LH Threads VC   |
| 31      | 532 18 76-90 | Washer Spacer Mower Vented          | --      | 532 40 03-25 | Replacement Mower Complete  |
| 32      | 532 19 81-45 | Mandrel Pulleys                     |         |              |   |
| 33      | 532 40 02-34 | Nut Flg Top Lock                    |         |              |   |
| 34      | 532 40 01-03 | Bracket Gauge Wheel LF/RR           |         |              |   |
| 35      | 532 40 01-04 | Bracket Gauge Wheel RF/LR           |         |              |   |
| 36      | 532 14 67-63 | Pulley Idler V-Groove Dim 4.25      |         |              |   |
| 38      | 532 16 98-51 | Spacer Hub Arm Idler                |         |              |   |
| 39      | 872 11 06-22 | Bolt RhHd 3/8-16 unc x 2-3/4 Gr. 5  |         |              |   |
| 40      | 873 68 06-00 | Nut Crownlock 3/8-16 unc            |         |              |   |

**NOTE:** All component dimensions given in U.S. inches  
1 inch = 25.4 mm

**TRACTOR - MODEL NO. LZ175H107RBK (96061021003), PRODUCT NO. 960 61 02-10  
MOWER LIFT**



lift-rh.1piece\_3

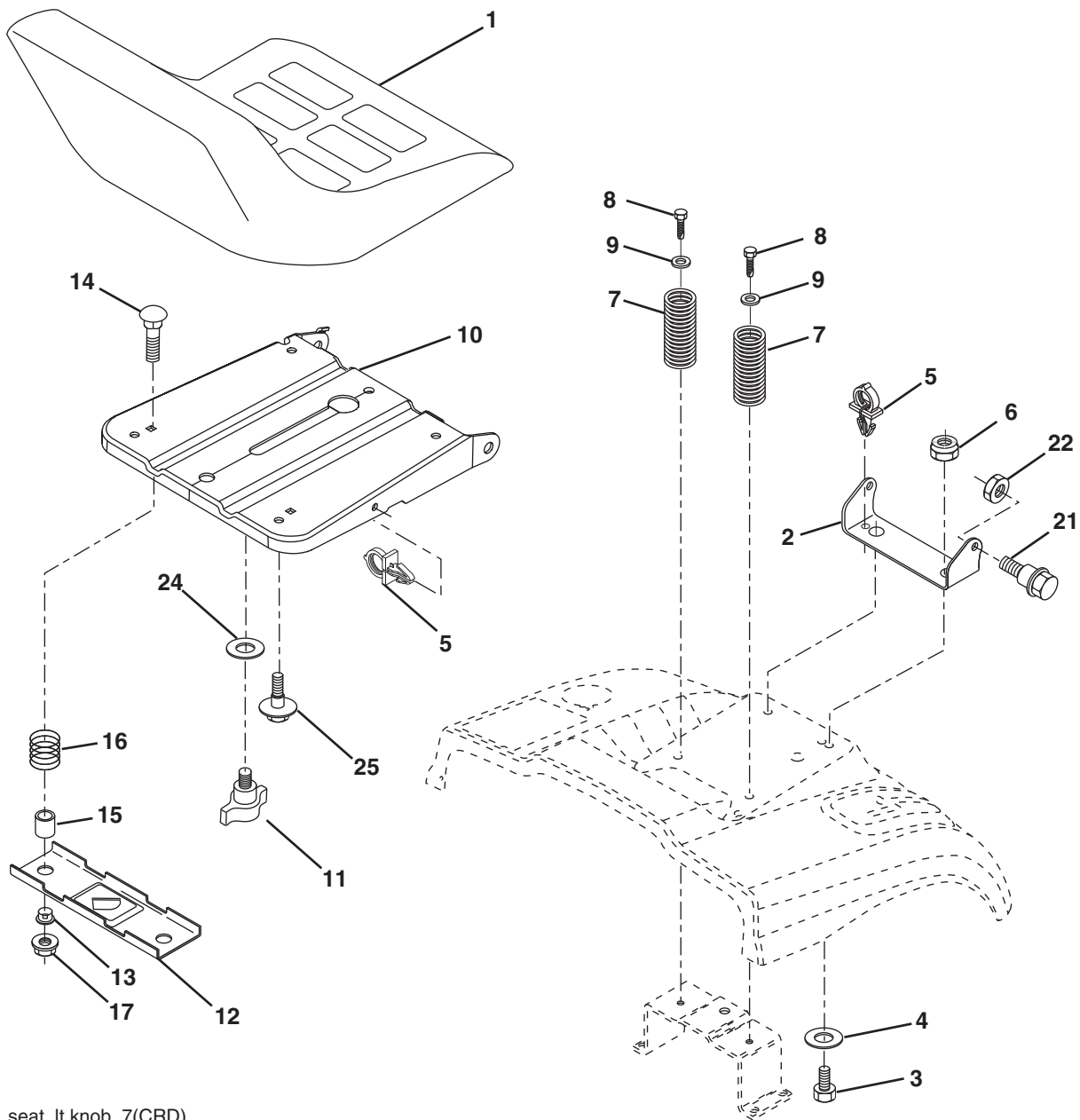
| KEY NO. | PART NO.     | DESCRIPTION               |
|---------|--------------|---------------------------|
| 1       | 532 40 50-07 | Plunger Asm Lift Lever    |
| 2       | 532 19 80-70 | Shaft Asm. Lift           |
| 3       | 532 18 88-22 | Pin Groove                |
| 4       | 812 00 00-02 | E Ring #5133-62           |
| 5       | 819 21 16-21 | Washer 21/32 x 1 x 21 Ga. |
| 6       | 532 12 01-83 | Bearing Nylon             |
| 7       | 532 10 94-13 | Grip Handle Bicycle       |
| 8       | 532 12 45-26 | Button Plunger Black      |
| 11      | 532 16 58-29 | Link Asm Lift LH          |
| 12      | 532 16 58-31 | Link Asm Lift RH          |
| 13      | 532 12 46-70 | Retainer Spring           |
| 15      | 532 17 32-88 | Link Front                |

| KEY NO. | PART NO.     | DESCRIPTION                  |
|---------|--------------|------------------------------|
| 16      | 873 35 08-00 | Nut Jam Hex 1/2-13 unc       |
| 17      | 532 17 56-89 | Trunnion Blk Zinc            |
| 18      | 873 80 08-00 | Nut Lock w/Wsh 1/2-13 unc    |
| 19      | 532 13 98-68 | Arm Suspension Mower         |
| 20      | 532 19 42-09 | Pin Cotter 7/16 Bow Tie Lock |
| 31      | 532 16 98-65 | Bearing, Pvt. Lift.          |
| 32      | 873 54 06-00 | Nut Crownlock 3/8-24         |

**NOTE:** All component dimensions given in U.S. inches  
1 inch = 25.4 mm



# TRACTOR - MODEL NO. LZ175H107RBK (96061021003), PRODUCT NO. 960 61 02-10 SEAT ASSEMBLY



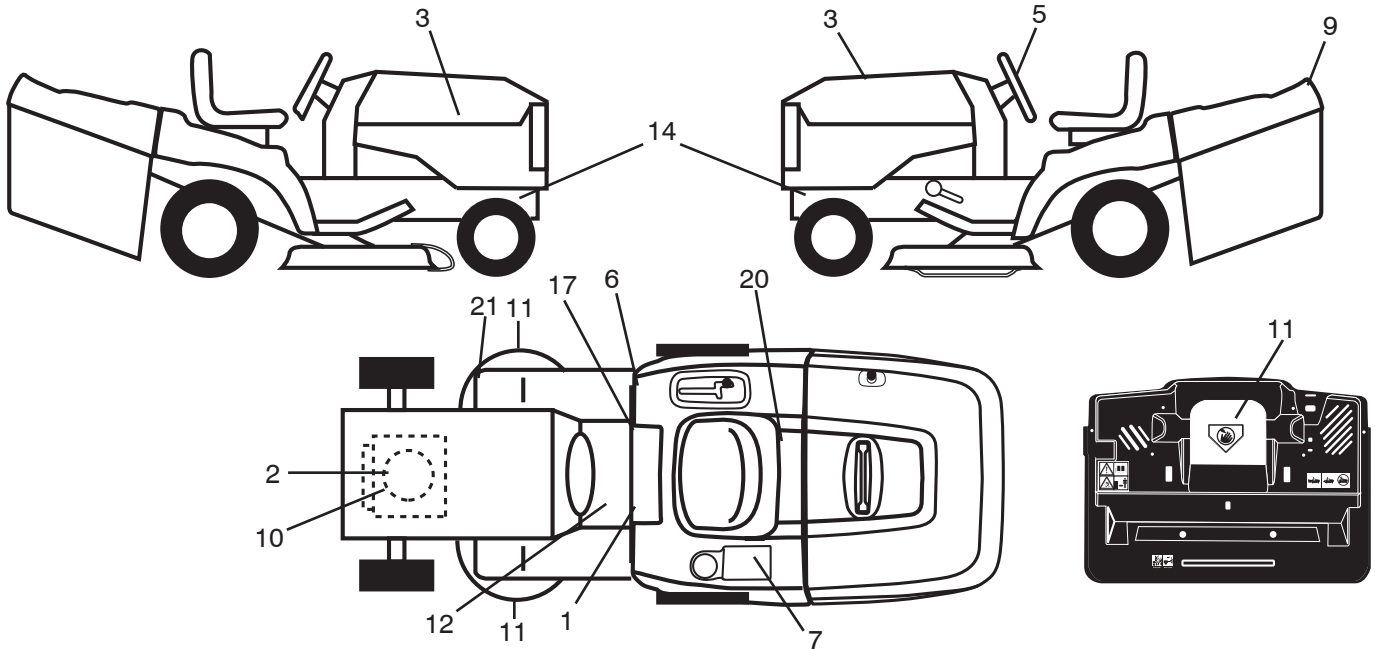
seat\_lt.knob\_7(CRD)

| KEY NO. | PART NO.     | DESCRIPTION                    |
|---------|--------------|--------------------------------|
| 1       | 532 18 87-13 | Seat                           |
| 2       | 532 14 05-51 | Bracket Pnt Pivot Fender       |
| 3       | 871 11 06-16 | Bolt Fin Hex 3/8-16 x 1        |
| 4       | 819 13 16-10 | Washer Flat 13/32 x 1 x 10 Ga. |
| 5       | 532 14 50-06 | Clip Push In Hinged            |
| 6       | 873 80 06-00 | Nut Lock Hex w/Ins 3/8-16      |
| 7       | 532 12 41-81 | Spring Seat Cprsn 2 250 Blk Zi |
| 8       | 817 00 06-16 | Screw 3/8-16 x 1.5             |
| 9       | 819 13 16-14 | Washer 13/32 x 1 x 14 Ga.      |
| 10      | 532 19 55-30 | Pan Pnt Seat                   |
| 11      | 532 16 63-69 | Knob Seat                      |
| 12      | 532 17 46-48 | Bracket Pnt Mounting Switch    |

| KEY NO. | PART NO.     | DESCRIPTION                     |
|---------|--------------|---------------------------------|
| 13      | 532 12 12-48 | Bushing Snap Blk Nyl 50 Id      |
| 14      | 872 05 04-12 | Bolt Rdhd Sht Nk 1/4-20 x 1-1/2 |
| 15      | 532 13 43-00 | Spacer Split                    |
| 16      | 532 12 12-50 | Spring Cprsn                    |
| 17      | 532 12 39-76 | Nut Lock 1/4 Lge Flg Gr. 5 Zinc |
| 21      | 532 17 18-52 | Bolt Shoulder 5/16-18 unc-2A    |
| 22      | 873 80 05-00 | Nut Hex Lock w/Ins 5/16-18      |
| 24      | 819 17 19-12 | Washer 17/32 x 1-3/16 x 12 Ga.  |
| 25      | 532 12 70-18 | Bolt Shoulder 5/16-18 x .62     |

**NOTE:** All component dimensions given in U.S. inches.  
1 inch = 25.4 mm

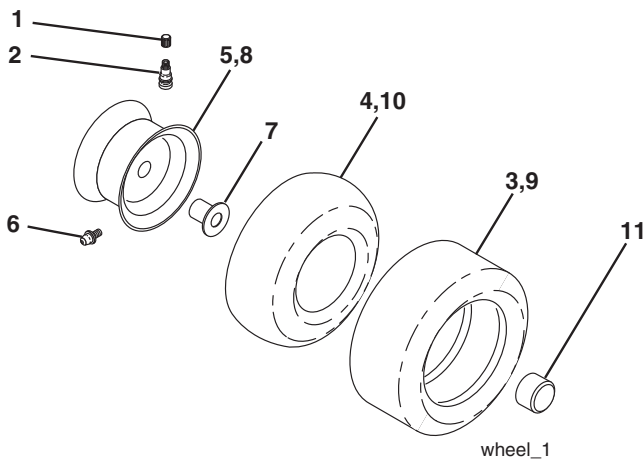
**TRACTOR - MODEL NO. LZ175H107RBK (96061021003), PRODUCT NO. 960 61 02-10  
DECALS**



| KEY NO. | PART NO.     | DESCRIPTION                    |
|---------|--------------|--------------------------------|
| 1       | 532 40 03-89 | Decal, Warning Sym CE          |
| 2       | 532 43 10-97 | Decal, Hp Engine               |
| 3       | 532 43 34-00 | Decal, Hood RH                 |
| 5       | 532 43 35-14 | Decal, Wheel Steering          |
| 6       | 532 18 04-32 | Decal, 100 DBA                 |
| 7       | 532 14 50-05 | Decal, Battery Danger          |
| 9       | 532 43 35-13 | Decal, Fender                  |
| 10      | 532 19 68-41 | Decal, Warning Eng. Sym        |
| 11      | 532 18 21-66 | Decal, Mower Cut Finger Symbol |
| 12      | 532 15 97-37 | Decal, Brake/Clutch Symbol Lt  |

| KEY NO. | PART NO.     | DESCRIPTION                 |
|---------|--------------|-----------------------------|
| 14      | 532 15 97-36 | Decal, Chassis Hot Muffler  |
| 17      | 532 14 08-37 | Decal, Saddle Brake Parking |
| 20      | 532 16 69-60 | Decal, Bypass Fender CRD    |
| 21      | 532 16 62-86 | Decal, Hex Belt Sch 92 CRD  |
| --      | 532 13 83-11 | Decal, Lift Handle          |
| --      | 532 18 10-90 | Pad, Footrest RH            |
| --      | 532 18 10-91 | Pad, Footrest LH            |
| --      | 532 43 27-43 | Manual, Operator's (Euro)   |
| --      | 532 43 32-94 | Manual, Parts               |

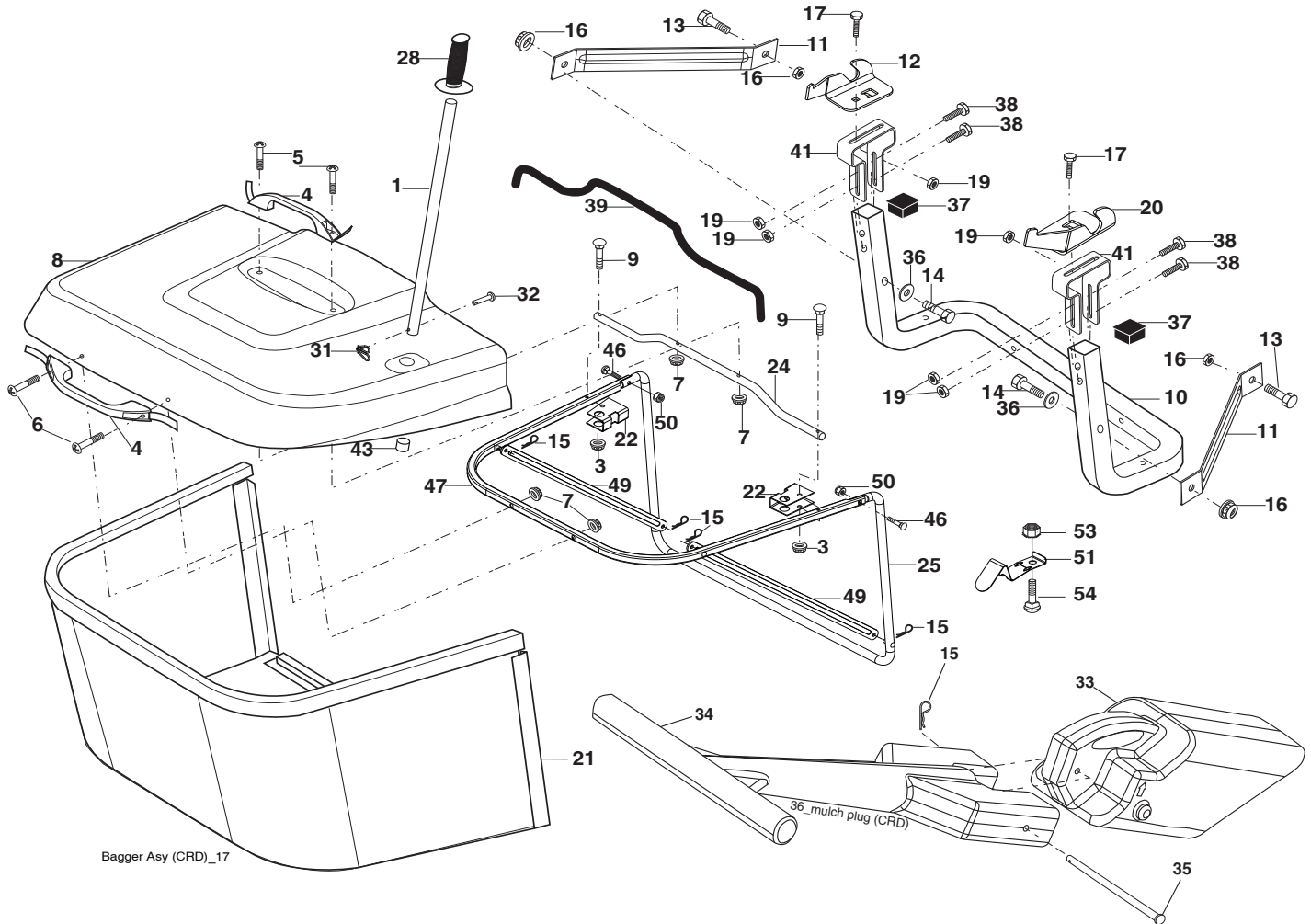
**WHEELS & TIRES**



| KEY NO. | PART NO.     | DESCRIPTION                    |
|---------|--------------|--------------------------------|
| 1       | 532 05 91-92 | Cap Valve Tire                 |
| 2       | 532 06 51-39 | Stem Valve                     |
| 3       | 532 10 62-22 | Tire F Ts 15 x 6 0 - 6 Service |
| 4       | 532 05 99-04 | Tube Inner Front #35060        |
| 5       | 532 18 33-37 | Rim Asm 6" Front White Service |
| 6       | 532 12 49-57 | Fitting Grease                 |
| 7       | 532 12 49-59 | Bearing Flange                 |
| 8       | 532 18 33-38 | Rim Asm 8" Rear White Service  |
| 9       | 532 12 20-82 | Tire R Ts 20 x 8-8 Service     |
| 10      | 532 12 49-26 | Tube Rear 9 5 x 8 Service      |
| 11      | 532 17 50-39 | Cap Axle Blk 1 50 x 1 00       |
| --      | 532 14 43-34 | Sealant, Tire (10 oz. tube)    |

**NOTE:** All component dimensions given in U.S. inches  
1 inch = 25.4 mm

# TRACTOR - MODEL NO. LZ175H107RBK (96061021003), PRODUCT NO. 960 61 02-10 BAGGER



| KEY NO. | PART NO.     | DESCRIPTION                          | KEY NO. | PART NO.     | DESCRIPTION                      |
|---------|--------------|--------------------------------------|---------|--------------|----------------------------------|
| 1       | 532 42 86-10 | Tube Handle Bagger CRD               | 31      | 532 16 94-84 | Retainer Clip                    |
| 3       | 532 12 39-76 | Nut Lock 1/4 Lge Flg Gr. 5 Zinc      | 32      | 532 12 68-75 | Rivet Rd Hd Drilled 3/8 Dia      |
| 4       | 532 16 99-16 | Handle Bagger w/Lvrs Blk CRD         | 33      | 532 42 86-83 | Plug Mulch                       |
| 5       | 874 98 10-24 | Screw Pan Head #10-24 x 1.50 Blk     | 34      | 532 16 55-70 | Handle Mulcher                   |
| 6       | 874 98 10-32 | Screw Pan Hd                         | 35      | 532 16 55-72 | Pin Mulcher                      |
| 7       | 873 40 10-00 | Nut Wiz Lock Hex Serr/Hd 10-24       | 36      | 819 13 20-12 | Washer 13/32 x 1-1/4 x 12 Ga.    |
| 8       | 532 18 13-54 | Cover Bagger CRD                     | 37      | 532 17 54-01 | Plug Support Bagger CRD          |
| 9       | 872 14 04-18 | Bolt Carriage 1/4-20 x 2.25d x Gr. 5 | 38      | 872 01 05-20 | Bolt 5/16-18 x 2-1/2             |
| 10      | 532 18 12-82 | Tube Support Bagger CRD              | 39      | 532 41 62-57 | Seal Bagger                      |
| 11      | 532 16 57-19 | Bracket Support Upper Bag CRD        | 41      | 532 43 27-55 | Bracket Vert Adj Bagger CRD      |
| 12      | 532 18 88-48 | Bracket Pivot LH                     | 43      | 532 17 40-83 | Plug Tubing                      |
| 13      | 874 76 06-12 | Bolt Fin Hex 3/8-16 unc x 3/4        | 46      | 872 11 05-10 | Bolt Carr. 5/16-18 x 1-1/4 Gr. 5 |
| 14      | 874 52 06-36 | Bolt Carr.                           | 47      | 532 19 37-04 | Tube Upper Bagger                |
| 16      | 873 90 06-00 | Nut Lock Flg. 3/8-16 unc             | 49      | 532 19 33-05 | Bar Spreader                     |
| 15      | 532 12 46-70 | Retainer Spring                      | 50      | 872 80 05-00 | Nut Lock Thx w/Ins. 5/16-18 unc  |
| 17      | 872 14 05-06 | Bolt Rdhd Sqnk 5/16 -18 unc x 3/4    | 51      | 532 19 99-03 | Latch Spring Bagger              |
| 19      | 873 90 05-00 | Nut Lock Hexflange 5/16-18           | 53      | 873 51 04-00 | Nut Keps Hex 1/4-20 unc          |
| 20      | 532 18 88-47 | Bracket Pivot RH                     | 54      | 872 14 04-06 | Bolt 1/4-20 x 3/4 Gr. 5          |
| 21      | 532 40 61-80 | Bag Asm CRD                          |         |              |                                  |
| 22      | 532 16 57-81 | Bracket Side Bagger CRD              |         |              |                                  |
| 24      | 532 16 57-83 | Tube Pivot Bagger CRD                |         |              |                                  |
| 25      | 532 19 37-05 | Tube Front Bagger CRD                |         |              |                                  |
| 28      | 532 16 57-87 | Grip Handle Black                    |         |              |                                  |

**NOTE:** All component dimensions given in U.S. inches  
1 inch = 25.4 mm

LAZER<sup>®</sup>