

**PNC**

966711801

**ML**

00,01,02

**Model**

M46-135CMD

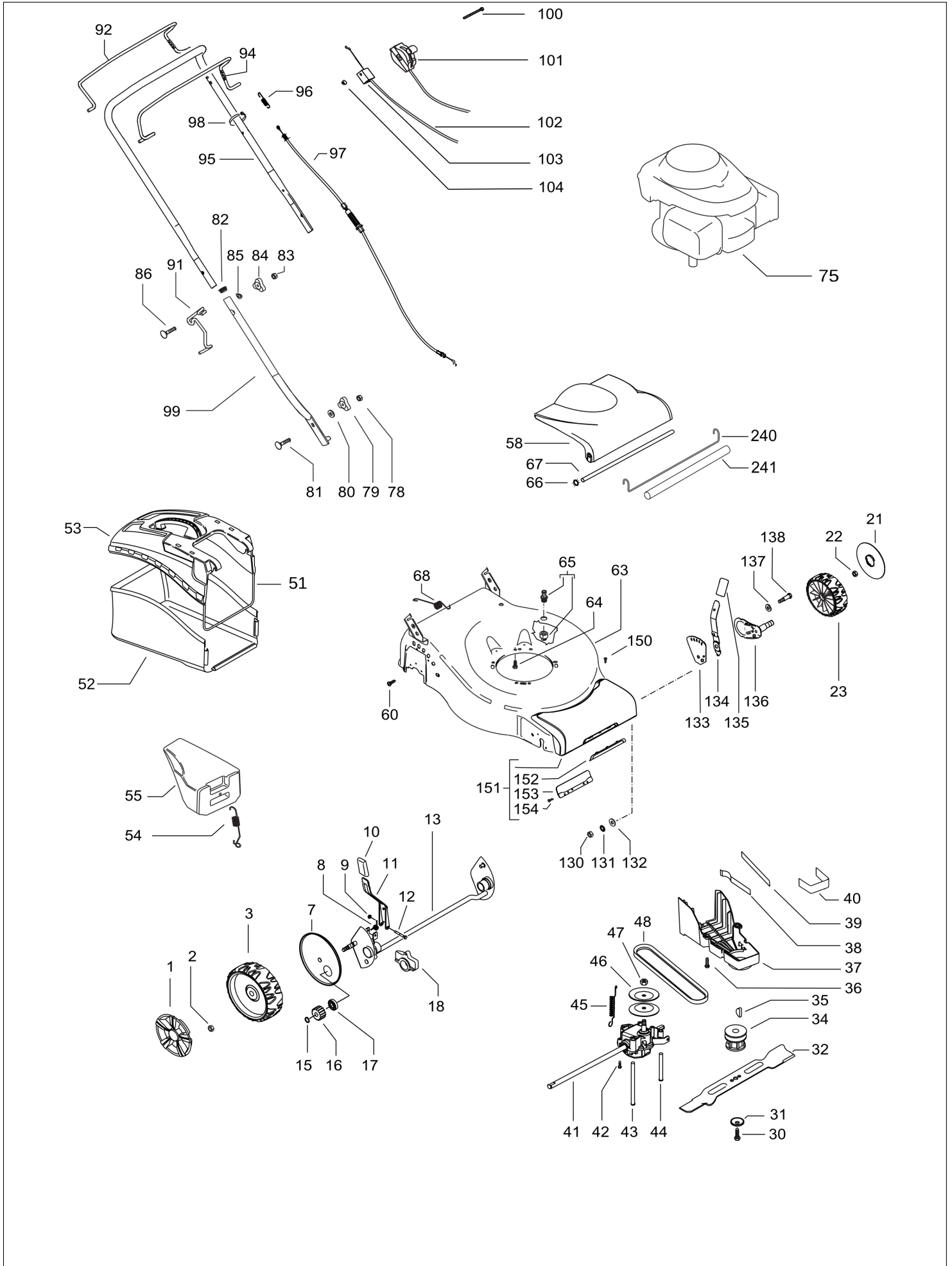
**Brand**

McCulloch

**Number of Pages 1 of 3**

|                            |                            |                        |              |
|----------------------------|----------------------------|------------------------|--------------|
| <b>Factory:</b>            | <b>IIQ - Valmadrera</b>    | <b>Product Group:</b>  | <b>OP 93</b> |
| <b>Publication Number:</b> | <b>MIPL2010_V390000013</b> | <b>Petrol Portable</b> |              |
| <b>Publication Date:</b>   | <b>01/10/10</b>            | <b>Sub Group</b>       | <b>1071</b>  |

HUSQVARNA ITALIA SPA



## HUSQVARNA ITALIA SPA

| Item | PN           | Description                     | Qty | Item | PN           | Description                   | Qty |
|------|--------------|---------------------------------|-----|------|--------------|-------------------------------|-----|
| 1    | 574 39 65-01 | wheel cover 210                 | 2   | 84   | 531 20 49-23 | knob                          | 2   |
| 2    | 504 85 78-01 | nut M8, self locking, flanged   | 2   | 85   | 531 20 70-90 | washer                        | 2   |
| 3    | 574 41 52-02 | wheel assy 210                  | 2   | 86   | 531 20 70-89 | screw M8x50                   | 2   |
| 7    | 504 82 73-01 | dust shield                     | 2   | 91   | 504 70 86-01 | starter cable guide           | 1   |
| 8    | 531 21 08-17 | spring, wheel regulator lever   | 1   | 92   | 504 70 84-01 | clutch lever                  | 1   |
| 9    | 531 20 84-92 | nut M5                          | 1   | 94   | 504 70 83-04 | brake lever                   | 1   |
| 10   | 574 61 05-01 | handle, wheel regulator         | 1   | 95   | 504 70 80-01 | handle, upper half            | 1   |
| 11   | 501 97 99-01 | wheel regulator lever           | 1   | 96   | 531 21 05-73 | clutch spring                 | 1   |
| 12   | 538 23 58-07 | screw M5x45                     | 1   | 97   | 544 90 80-01 | clutch cable                  | 1   |
| 13   | 504 80 01-01 | rear axle                       | 1   | 98   | 531 20 55-81 | binder                        | 2   |
| 15   | 531 20 87-72 | seeger                          | 2   | 99   | 531 20 60-71 | handle, lower half            | 2   |
| 16   | 544 34 23-01 | gear                            | 2   | 100  | 576 13 60-01 | screw M6x65                   | 1   |
| 17   | 531 20 87-78 | ball bearing                    | 2   | 101  | 574 36 14-01 | throttle lever and cable      | 1   |
| 18   | 531 20 59-44 | rear axle housing               | 2   | 102  | 531 21 35-22 | brake cable                   | 1   |
| 21   | 574 39 64-01 | wheel cover 190                 | 2   | 103  | 531 20 80-43 | cable support                 | 1   |
| 22   | 504 85 78-01 | nut M8, self locking, flanged   | 2   | 104  | 531 20 80-63 | nut M6                        | 1   |
| 23   | 574 41 50-02 | wheel assy 190                  | 2   | 130  | 531 20 79-78 | nut M10                       | 2   |
| 30   | 531 20 80-08 | screw, 3/8"                     | 1   | 131  | 531 20 89-74 | washer                        | 2   |
| 31   | 531 20 72-37 | spring washer                   | 1   | 132  | 531 20 79-89 | washer                        | 2   |
| 32   | 531 21 10-17 | mulching blade                  | 1   | 133  | 574 41 32-09 | bracket, wheel adj.           | 2   |
| 34   | 531 20 61-69 | blade support                   | 1   | 134  | 544 45 25-01 | wheel regulator lever         | 2   |
| 35   | 505 29 09-01 | key                             | 1   | 135  | 574 61 05-01 | handle, wheel regulator lever | 2   |
| 36   | 531 20 78-56 | screw 5x10                      | 3   | 136  | 504 85 14-01 | wheels support                | 2   |
| 37   | 544 46 22-01 | belt cover                      | 1   | 137  | 531 20 60-20 | washer                        | 2   |
| 38   | 504 04 61-01 | belt guide                      | 1   | 138  | 531 20 49-12 | screw M10                     | 2   |
| 39   | 544 46 25-01 | belt guide                      | 1   | 150  | 576 04 74-01 | screw                         | 2   |
| 40   | 504 05 66-01 | belt guide                      | 1   | 151  | 575 56 21-02 | front cover                   | 1   |
| 41   | 544 34 32-03 | gear box                        | 1   | 152  | 574 37 52-01 | front cover plate             | 1   |
| 42   | 510 03 75-01 | screw 4x18, self threading      | 2   | 153  | 531 20 98-16 | back plate                    | 1   |
| 43   | 544 93 44-01 | belt guide                      | 1   | 154  | 575 95 57-01 | screw                         | 2   |
| 44   | 544 93 43-01 | belt guide                      | 1   | 240  | 578 32 30-01 | wire, grass seal              | 1   |
| 45   | 544 93 47-01 | gear box spring                 | 1   | 241  | 578 32 18-01 | grass seal                    | 1   |
| 46   | 504 54 79-01 | pulley plate                    | 2   |      |              |                               |     |
| 47   | 504 54 80-01 | nut                             | 1   |      |              |                               |     |
| 48   | 504 03 48-01 | belt                            | 1   |      |              |                               |     |
| 51   | 574 86 94-01 | sack frame                      | 1   |      |              |                               |     |
| 52   | 574 86 96-01 | sack                            | 1   |      |              |                               |     |
| 53   | 574 61 03-01 | hard top                        | 1   |      |              |                               |     |
| 54   | 522 85 77-01 | spring, mulching plug           | 1   |      |              |                               |     |
| 55   | 531 21 06-17 | mulching plug                   | 1   |      |              |                               |     |
| 58   | 574 61 02-01 | safety flap                     | 1   |      |              |                               |     |
| 60   | 531 20 66-77 | screw 4.8x19, self threading    | 2   |      |              |                               |     |
| 63   | 575 50 09-02 | deck                            | 1   |      |              |                               |     |
| 64   | 531 21 28-51 | screw 3/8" + split washer       | 3   |      |              |                               |     |
| 65   | 531 20 58-48 | snap on connector               | 1   |      |              |                               |     |
| 66   | 531 20 76-57 | star lock washer                | 2   |      |              |                               |     |
| 67   | 531 20 50-60 | bar, safety flap                | 1   |      |              |                               |     |
| 68   | 531 20 59-99 | spring                          | 1   |      |              |                               |     |
| 75   | ————         | engine, HONDA, GCV135E-A4-G9-SD | 1   |      |              |                               |     |
| 78   | 531 20 79-82 | nut M8                          | 2   |      |              |                               |     |
| 79   | 531 20 49-23 | knob                            | 2   |      |              |                               |     |
| 80   | 531 20 49-22 | washer                          | 2   |      |              |                               |     |
| 81   | 531 20 49-21 | screw M8x25                     | 2   |      |              |                               |     |
| 82   | 531 20 89-50 | cap                             | 2   |      |              |                               |     |
| 83   | 531 20 79-82 | nut M8                          | 2   |      |              |                               |     |