

PNC

966690801

ML

00,01,02

Model

M46-550CMDW

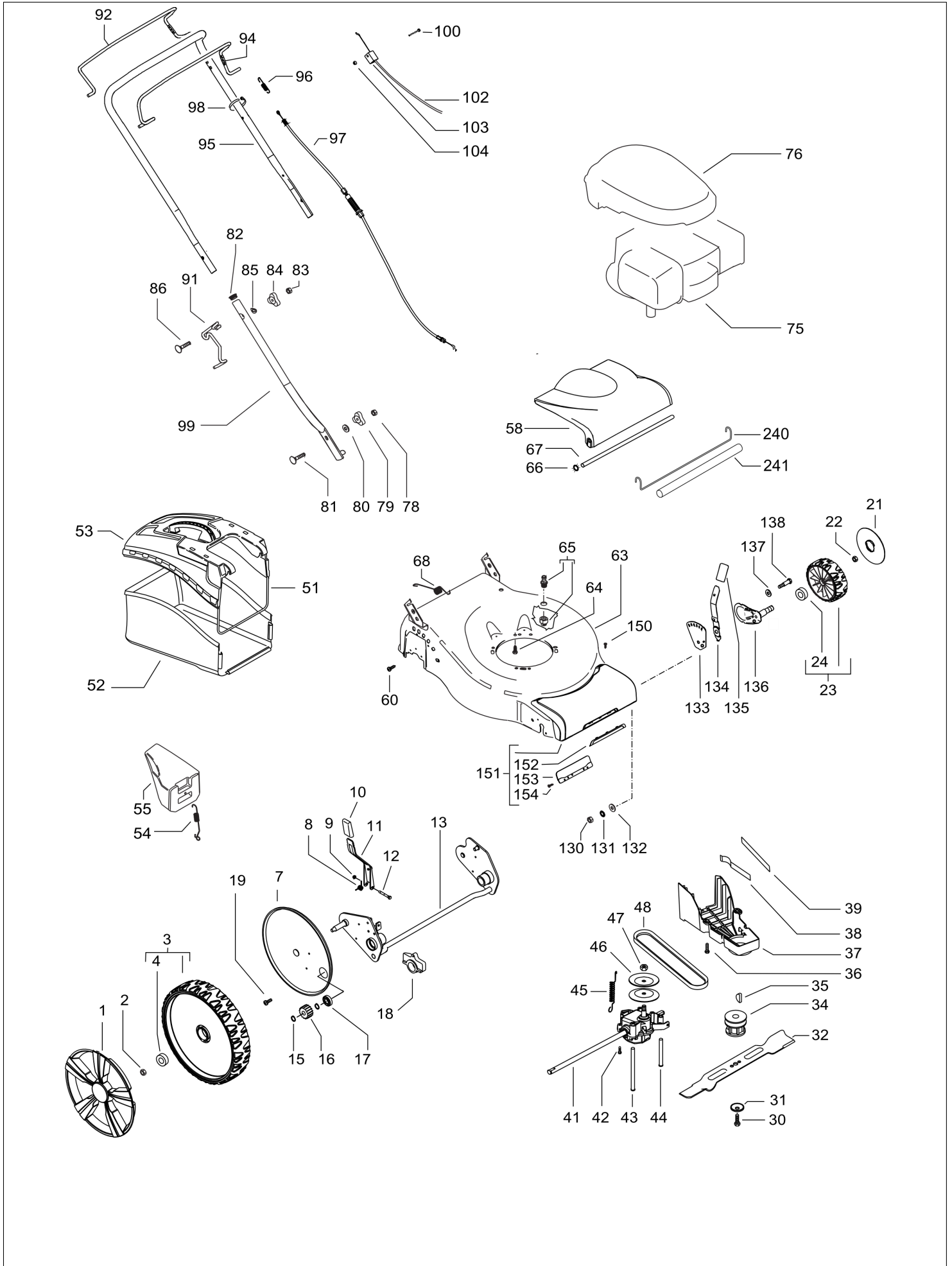
Brand

McCulloch

Number of Pages 1 of 3

<p>Factory: IIQ - Valmadrera</p>	<p>Product Group: OP 93</p>
<p>Publication Number: MIPL2010_V390000010</p>	<p>Petrol Portable</p>
<p>Publication Date: 30/09/10</p>	<p>Sub Group 1071</p>

HUSQVARNA ITALIA SPA



HUSQVARNA ITALIA SPA

Item	PN	Description	Qty	Item	PN	Description	Qty
1	574 39 66-01	wheel cover D280	2	81	531 20 49-21	screw M8x25	2
2	504 85 78-01	nut M8, self locking, flanged	2	82	531 20 89-50	cap	2
3	574 45 12-01	wheel assy Ø280	2	83	531 20 70-89	screw M8x50	2
4	504 54 82-01	ball bearing	4	85	531 20 70-90	washer	1
7	504 53 99-01	dust shield Ø280	2	86	531 20 49-23	knob	2
8	531 21 08-17	spring, wheel regulator lever	1	91	504 70 86-01	starter cable guide	1
9	531 20 84-92	nut M5, self locking	1	92	504 70 84-01	clutch lever	1
10	574 61 05-01	handle, wheel regulator	1	94	504 70 83-01	brake lever	1
11	501 97 99-01	wheel regulator lever	1	95	504 70 80-01	upper handle	1
12	538 23 58-07	screw 5x45	1	96	531 21 05-73	spring, clutch	1
13	510 09 29-02	rear axle	1	97	544 90 80-02	drive cable	1
15	531 20 87-72	seeger	4	98	531 20 55-81	binder	2
16	544 34 23-01	gear	2	99	531 20 60-71	lower handle	2
17	531 20 87-78	ball bearing	2	100	531 20 63-46	screw M5x40	1
18	531 20 59-44	rear axle housing	2	102	531 21 35-22	brake cable	1
19	531 20 78-56	screw M5x10	4	103	531 20 80-43	cable support	1
21	574 39 64-01	wheel cover Ø190	2	104	531 20 52-13	nut M5	1
22	504 85 78-01	nut M8, self locking, flanged	2	130	531 20 79-78	nut M10	2
23	574 45 09-01	wheel assy Ø190	2	131	531 20 89-74	washer	2
24	504 54 82-01	ball bearing	4	132	531 20 79-89	washer	2
30	531 20 80-08	screw, 3/8"	1	133	574 41 32-09	bracket, wheel adj.	2
31	531 20 72-37	spring washer	1	134	544 45 25-01	wheel regulator lever	2
32	531 21 10-17	mulching blade	1	135	574 61 05-01	handle, wheel regulator lever	2
34	531 20 61-69	blade support	1	136	504 85 14-01	wheels support	2
35	505 29 09-01	key	1	137	531 20 60-20	washer	2
36	531 20 78-56	screw 5x10	3	138	531 20 49-12	screw M10	2
37	544 46 23-01	belt cover	1	150	576 04 74-01	screw	2
38	504 04 61-01	belt guide	1	151	575 56 21-02	front cover	1
39	544 46 25-01	belt guide	1	152	574 37 52-01	front cover plate	1
41	504 54 14-02	gear box	1	153	574 72 17-01	back plate	1
42	531 20 66-77	screw 4x16	2	154	575 95 57-01	screw	2
43	504 10 31-01	belt guide	1	240	578 32 30-01	wire, grass seal	1
44	544 93 43-01	belt guide	1	241	578 32 18-01	grass seal	1
45	544 93 47-01	gear box spring	1				
46	504 54 79-01	pulley plate	2				
47	504 54 80-01	nut	1				
48	504 03 48-01	belt Z28 10x710	1				
51	574 86 94-01	sack frame	1				
52	574 86 96-01	sack	1				
53	574 61 03-01	hard top	1				
54	522 85 77-01	spring, mulching plug	1				
55	531 21 06-17	mulching plug	1				
58	574 61 02-01	safety flap	1				
60	531 20 66-77	screw	2				
63	575 50 09-02	deck	1				
64	531 21 28-51	screw 3/8" + split washer	3				
65	531 20 58-48	snap on connector	1				
66	531 20 76-57	star lock washer	2				
67	531 20 50-60	safety flap bar	1				
68	531 20 59-99	spring	1				
75	—	engine, Briggs & Stratton, model number 10L8020112F1	1				
76	522 86 81-01	engine cover	1				
78	531 20 79-82	nut M8	2				
79	531 20 49-23	knob	2				
80	531 20 49-22	washer	2				