

**PNC**

966711701

**ML**

00,01,02

**Model**

M46-450CMD

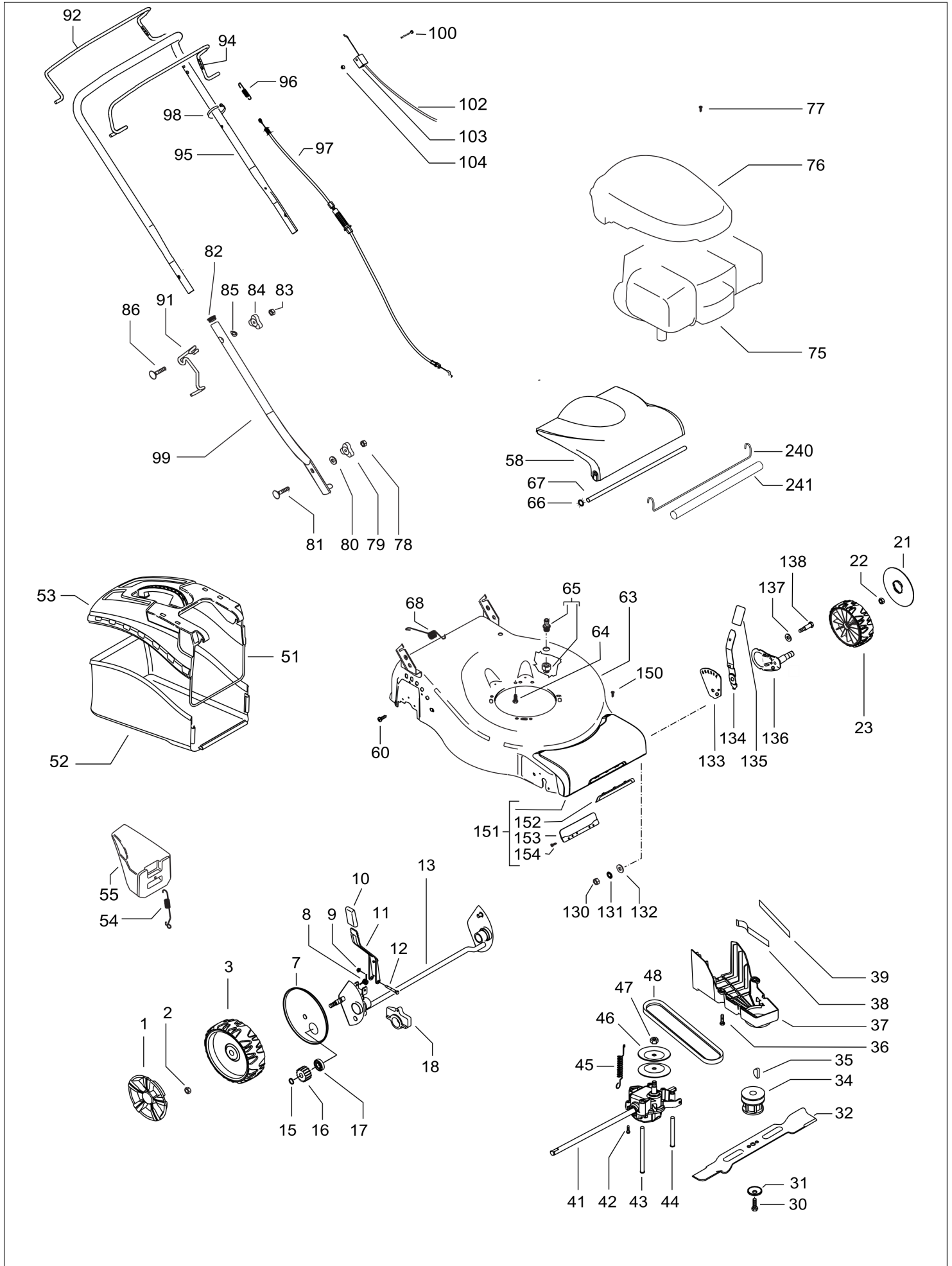
**Brand**

McCulloch

**Number of Pages 1 of 3**

<b>Factory:</b>	<b>IIQ - Valmadrera</b>	<b>Product Group:</b>	<b>OP 93</b>
<b>Publication Number:</b>	<b>MIPL2010_V390000007</b>	<b>Petrol Portable</b>	
<b>Publication Date:</b>	<b>30/09/10</b>	<b>Sub Group</b>	<b>1071</b>

HUSQVARNA ITALIA SPA



## HUSQVARNA ITALIA SPA

Item	PN	Description	Qty	Item	PN	Description	Qty
1	574 39 65-01	wheel cover Ø210	2	68	531 20 59-99	spring	1
2	504 85 78-01	nut M8, self locking, flanged	2	75	————	engine, Briggs & Stratton, model number 09T5020134	1
3	574 41 52-02	wheel assy Ø210	2	76	522 86 81-01	engine cover	1
7	504 82 73-01	dust shield	2	77	531 21 27-10	engine cover screw	2
8	531 21 08-17	spring, wheel regulator level	1	78	531 20 79-82	nut M8	2
9	531 20 84-92	nut M5	2	79	531 20 49-23	knob	2
10	574 61 05-01	handle, wheel regulator	1	80	531 20 49-22	washer	2
11	501 97 99-01	wheel regulator lever	1	81	531 20 49-21	screw M8x25	2
12	538 23 58-07	screw M5x45, self threading	1	82	531 20 89-50	cap	2
13	504 80 01-01	rear axle	1	83	531 20 79-82	nut M8	2
15	531 20 87-72	seeger	2	84	531 20 49-23	knob	2
16	544 34 23-01	gear	2	85	531 20 70-90	washer	2
17	531 20 87-78	ball bearing	2	86	531 20 70-89	screw M8x50	2
18	531 20 59-44	rear axle housing	2	91	504 70 86-01	starter cable guide	1
21	574 39 64-01	wheel cover Ø190	2	92	504 70 84-01	clutch lever	1
22	504 85 78-01	nut M8, self locking, flanged	2	94	504 70 83-04	brake lever	1
23	574 41 50-02	wheel assy Ø190	2	95	504 70 80-01	handle, upper half	1
30	531 20 80-08	screw, 3/8"	1	96	531 21 05-73	spring, clutch	1
31	531 20 72-37	spring washer	1	97	544 90 80-01	clutch cable	1
32	531 21 10-17	mulching blade	1	98	531 20 55-81	binder	2
34	531 20 61-69	blade support	1	99	531 20 60-71	handle, lower half	2
35	505 29 09-01	key	1	100	531 20 63-46	screw M5x40	1
36	531 20 78-56	screw 5x10	3	102	531 21 35-22	brake cable	1
37	544 46 22-01	belt cover	1	103	531 21 26-89	cable support	1
38	504 04 61-01	belt guide	1	104	531 20 52-13	nut M5	1
39	544 46 25-01	belt guide	1	130	531 20 79-78	nut M10	2
41	544 34 32-03	gear box	1	131	531 20 89-74	washer	2
42	510 03 75-01	screw 4x16, self threading	2	132	531 20 79-89	washer	2
43	544 93 44-01	belt guide	1	133	574 41 32-09	bracket, wheel adj	2
44	544 93 43-01	belt guide	1	134	544 45 25-01	wheel regulator lever	2
45	544 93 47-01	gear box spring	1	135	574 61 05-01	handle, wheel regulator lever	2
46	504 54 79-01	pulley plate	2	136	504 85 14-01	wheel support	2
47	504 54 80-01	nut	1	137	531 20 60-20	washer	2
48	504 03 48-01	belt Z28 10X710	1	138	531 20 49-12	screw M10	2
51	574 86 94-01	sack frame	1	150	576 04 74-01	screw	2
52	574 86 96-01	sack	1	151	575 56 21-02	front cover	1
53	574 61 03-01	hard top	1	152	574 37 52-01	front cover plate	1
54	522 85 77-01	spring, mulching plug	1	153	574 72 17-01	back plate	1
55	531 21 06-17	mulching plug	1	154	575 95 57-01	screw	2
58	574 61 02-01	safety flap	1	240	578 32 30-01	wire, grass seal	1
63	575 50 09-02	deck	1	241	578 32 18-01	grass seal	1
64	531 21 28-51	screw 3/8" + split washer	3				
65	531 20 58-48	snap on connector 1/2"	1				
66	531 20 76-57	star lock washer	2				
67	531 20 50-60	bar, safety flap	1				