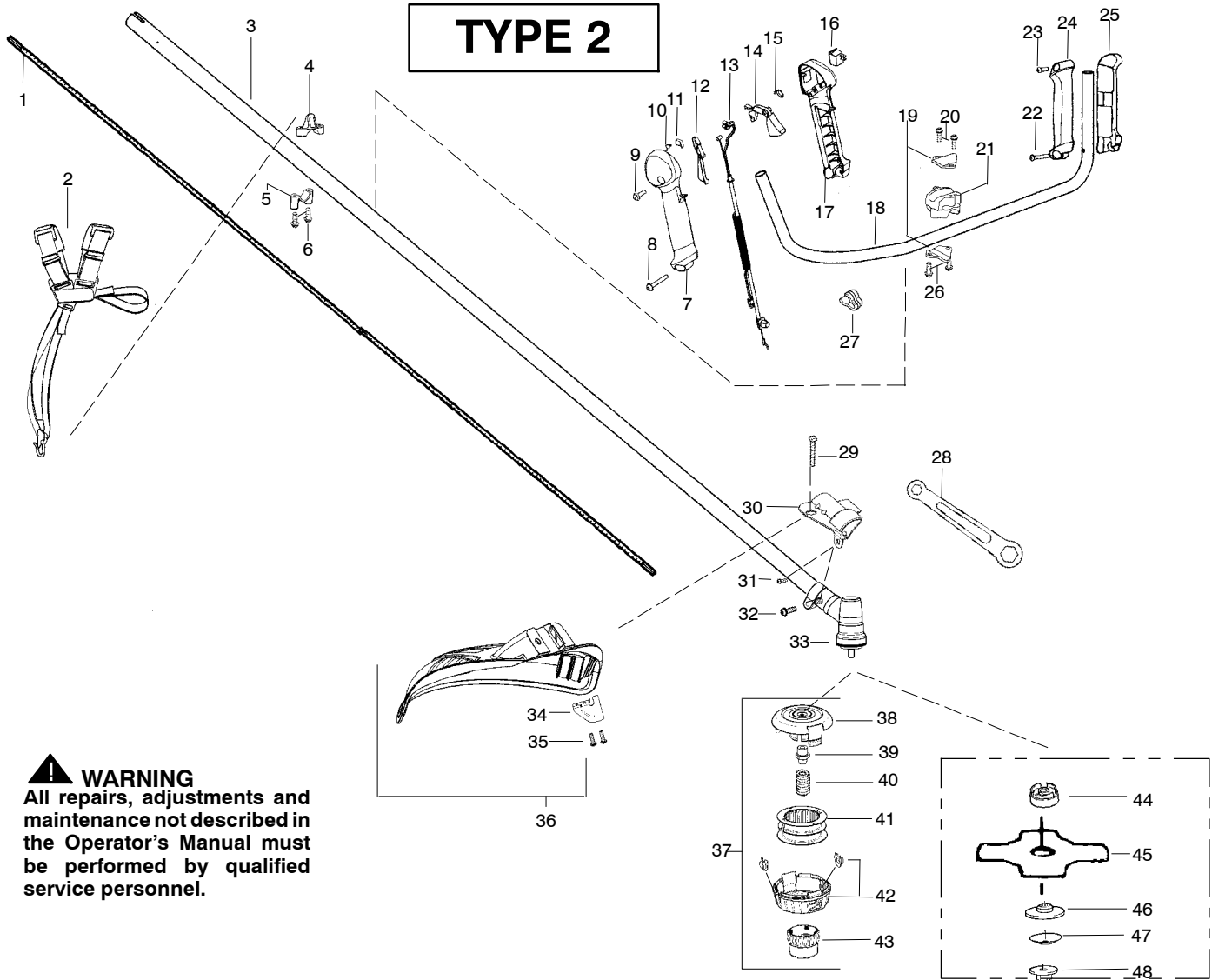


**⚠ WARNING**  
All repairs, adjustments and maintenance not described in the Operator's Manual must be performed by qualified service personnel.

| Ref. | Part No.  | Description                           | Ref. | Part No.  | Description                                 | Ref.             | Part No.  | Description           |
|------|-----------|---------------------------------------|------|-----------|---|------------------|-----------|-----------------------|
| 1.   | 530096203 | Flex shaft                            | 23.  | 530015934 | Screw                                       | 44.              | 545003365 | Kit-Cover & Eyelet    |
| 2.   | 544845802 | Harness-Shoulder                      | 24.  | 545159001 | Handle (RH)                                 | 45.              | 537419601 | Knob                  |
| 3.   | 545008021 | Kit-Driveshaft                        | 25.  | 545159101 | Handle (LH)                                 | 46.              | 530071947 | Kit-Blade Shield      |
| 4.   | 530057986 | Clamp-Harness(upper)                  | 26.  | 530015940 | Screw                                       | 47.              | 530095815 | Dust cup              |
| 5.   | 545056601 | Clamp-Harness(lower)                  | 27.  | 502211201 | Clip-Throttle Cable                         | 48.              | 530055892 | Assy-Weed Blade       |
| 6.   | 530015940 | Screw                                 | 28.  | 530056401 | Wrench                                      | 49.              | 530095816 | Washer                |
| 7.   | 545158901 | Housing-Throttle (RH)                 | 29.  | 530015197 | Nut   | 50.              | 530016240 | Washer-Belleville     |
| 8.   | 530016406 | Screw                                 | 30.  | 545150701 | Bracket - Shield                            | 51.              | 530015793 | Nut-Flange            |
| 9.   | 530015934 | Screw                                 | 31.  | 530016312 | Screw                                       | <b>Not Shown</b> |           |                       |
| 10.  | 545165201 | Spring-Starter lockout                | 32.  | 530015775 | Screw                                       | ----             |           | Operator Manual       |
| 11.  | 545159301 | Lockout -Starter                      | 33.  | 530016014 | Screw                                       | 545154243        |           | Euro 1                |
| 12.  | 545159401 | Lockout-Throttle                      | 34.  | 530096100 | Assy-Gearbox                                | 545154242        |           | Euro 2                |
| 13.  | 545162001 | Assy-Cable/Wire Harn.                 | 35.  | 530052285 | Line Limiter                                | 545154241        |           | Euro 3                |
| 14.  | 545159501 | Trigger                               | 36.  | 530015814 | Screw                                       | 545154240        |           | Euro 4                |
| 15.  | 545165301 | Spring-Trigger                        | 37.  | 545081001 | Kit-Shield<br>(Incl. 28,29,35,36,38)        | 545154252        |           | Euro 5                |
| 16.  | 530069572 | Kit-Switch                            | 38.  | 530015820 | Bolt  | 545154244        |           | Scan                  |
| 17.  | 545159701 | Housing-Thottle (LH)                  | 39.  | 537419211 | Assy-TNG7 Head (Incl.<br>40,41,42,43,44,45) | 545154251        |           | Turkish               |
| 18.  | 545162301 | Assy-Handlebar<br>(Incl. 22,23,24,25) | 40.  | 537419302 | Housing-Yellow                              | 530150314        |           | Decal-Warning CE      |
| 19.  | 530058563 | Clamp-Bracket                         | 41.  | 537419901 | Adapter                                     | 530056335        |           | Decal-Blade Direction |
| 20.  | 530015886 | Screw                                 | 42.  | 537338801 | Spring                                      | 530031159        |           | Wrench-Hex (5/32")    |
| 21.  | 545024504 | Clamp-Handlebar                       | 43.  | 530096328 | Assy-Wound Spool                            | 502035505        |           | Guard-Transport       |
| 22.  | 530016406 | Screw                                 |      |           |   |                  |           |                       |

✓ = NEW PART NUMBER FOR THIS IPL

\* = REFER TO THE SERVICE REFERENCE INDICATED FOR MORE INFORMATION. (LOCATED AT END OF IPL)

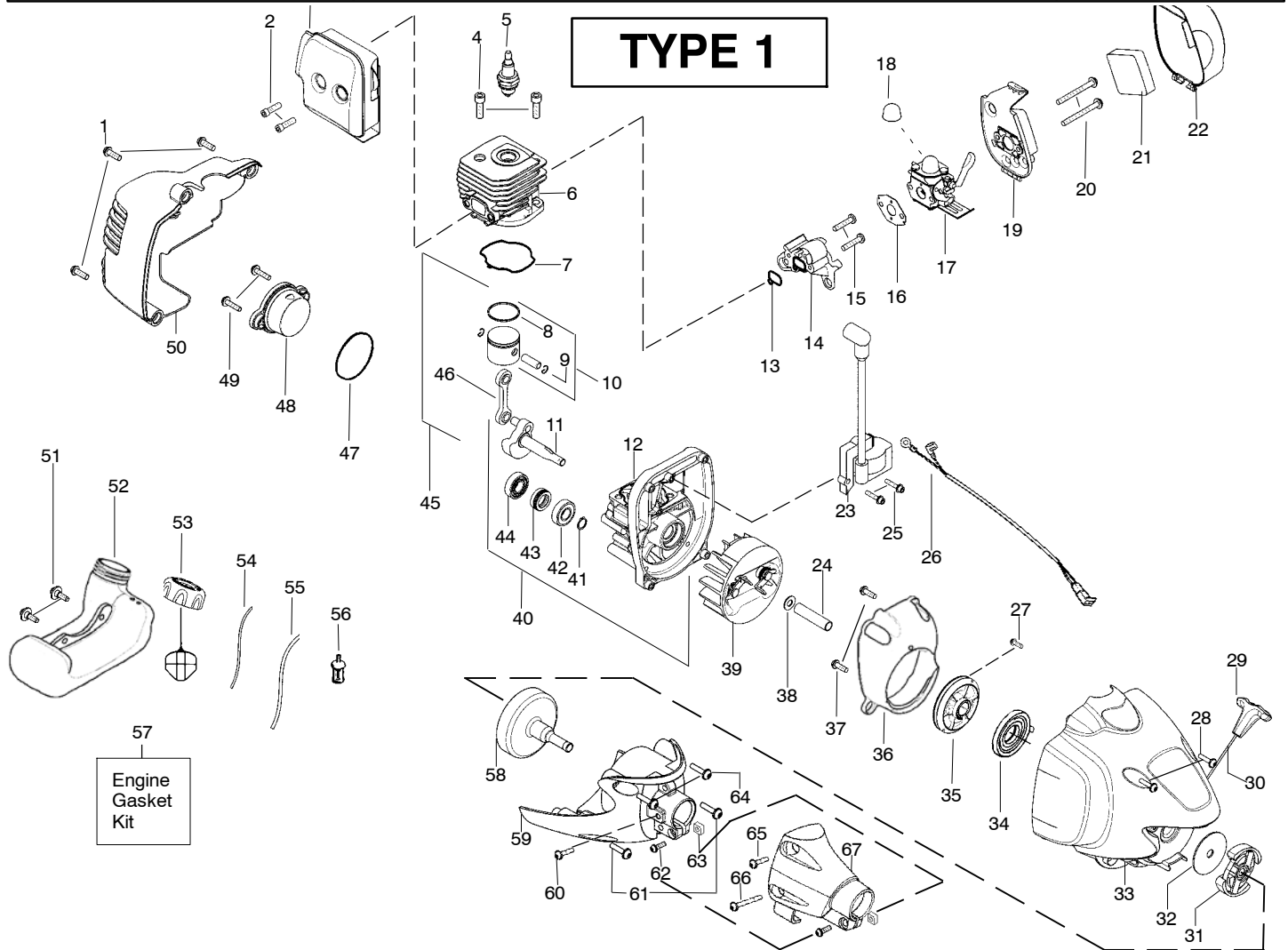


**⚠ WARNING**  
All repairs, adjustments and maintenance not described in the Operator's Manual must be performed by qualified service personnel.

| Ref. | Part No.  | Description                           | Ref. | Part No.  | Description                                 | Ref.   | Part No.  | Description       |
|------|-----------|---------------------------------------|------|-----------|---|--|-----------|-------------------|
| 1.   | 530096203 | Flex shaft                            | 23.  | 530015934 | Screw                                       | 44.  | 530095815 | Dust cup          |
| 2.   | 544845802 | Harness-Shoulder                      | 24.  | 545159001 | Handle (RH)                                 | 45.  | 530055892 | Assy-Weed Blade   |
| 3.   | 545008021 | Kit-Driveshaft                        | 25.  | 545159101 | Handle (LH)                                 | 46.  | 530095816 | Washer            |
| 4.   | 530057986 | Clamp-Harness(upper)                  | 26.  | 530015940 | Screw                                       | 47.  | 530016240 | Washer-Belleville |
| 5.   | 545056601 | Clamp-Harness(lower)                  | 27.  | 502211201 | Clip-Throttle Cable                         | 48.  | 530015793 | Nut-Flange        |
| 6.   | 530015940 | Screw                                 | 28.  | 530056401 | Wrench                                      | <b>Not Shown</b>   |           |                   |
| 7.   | 545158901 | Housing-Throttle (RH)                 | 29.  | 530015771 | Screw                                       | <div style="text-align: center;"> <p>Operator Manual</p> <p>-----</p> <p>115306726 Euro 1</p> <p>115306826 Euro 2</p> <p>115306926 Euro 3</p> <p>115438226 Euro 4</p> <p>115307126 Euro 5</p> <p>115306610 Scan</p> <p>115307276 Turkish</p> <p>577924001 Decal-Warning</p> <p>530056335 Decal-Blade Direction</p> <p>530031159 Wrench-Hex (5/32")</p> <p>502035505 Guard-Transport</p> </div> |           |                   |
| 8.   | 530016406 | Screw                                 | 30.  | 575963401 | Bracket - Shield                            |  |           |                   |
| 9.   | 530015934 | Screw                                 | 31.  | 530015775 | Screw                                       |  |           |                   |
| 10.  | 545165201 | Spring-Starter lockout                | 32.  | 530016014 | Screw                                       |  |           |                   |
| 11.  | 545159301 | Lockout - Starter                     | 33.  | 574809701 | Assy-Gearbox                                |  |           |                   |
| 12.  | 545159401 | Lockout-Throttle                      | 34.  | 530052286 | Line Limiter                                |  |           |                   |
| 13.  | 545162001 | Assy-Cable/Wire Harn.                 | 35.  | 530015814 | Screw                                       |  |           |                   |
| 14.  | 545159501 | Trigger                               | 36.  | 575352701 | Kit-Shield                                  |  |           |                   |
| 15.  | 545165301 | Spring-Trigger                        | 37.  | 537419211 | Assy-TNG7 Head<br>(Incl. 38,39,40,41,42,43) |  |           |                   |
| 16.  | 530069572 | Kit-Switch                            | 38.  | 537419302 | Housing- Yellow                             |  |           |                   |
| 17.  | 545159701 | Housing-Thottle (LH)                  | 39.  | 537419901 | Adapter                                     |  |           |                   |
| 18.  | 545162301 | Assy-Handlebar<br>(Incl. 22,23,24,25) | 40.  | 537338801 | Spring                                      |  |           |                   |
| 19.  | 530058563 | Clamp-Bracket                         | 41.  | 530096328 | Assy-Wound Spool                            |  |           |                   |
| 20.  | 530015886 | Screw                                 | 42.  | 545003365 | Kit-Cover & Eyelet                          |  |           |                   |
| 21.  | 545024504 | Clamp-Handlebar                       | 43.  | 537419601 | Knob  |  |           |                   |
| 22.  | 530016406 | Screw                                 |      |           |   |  |           |                   |

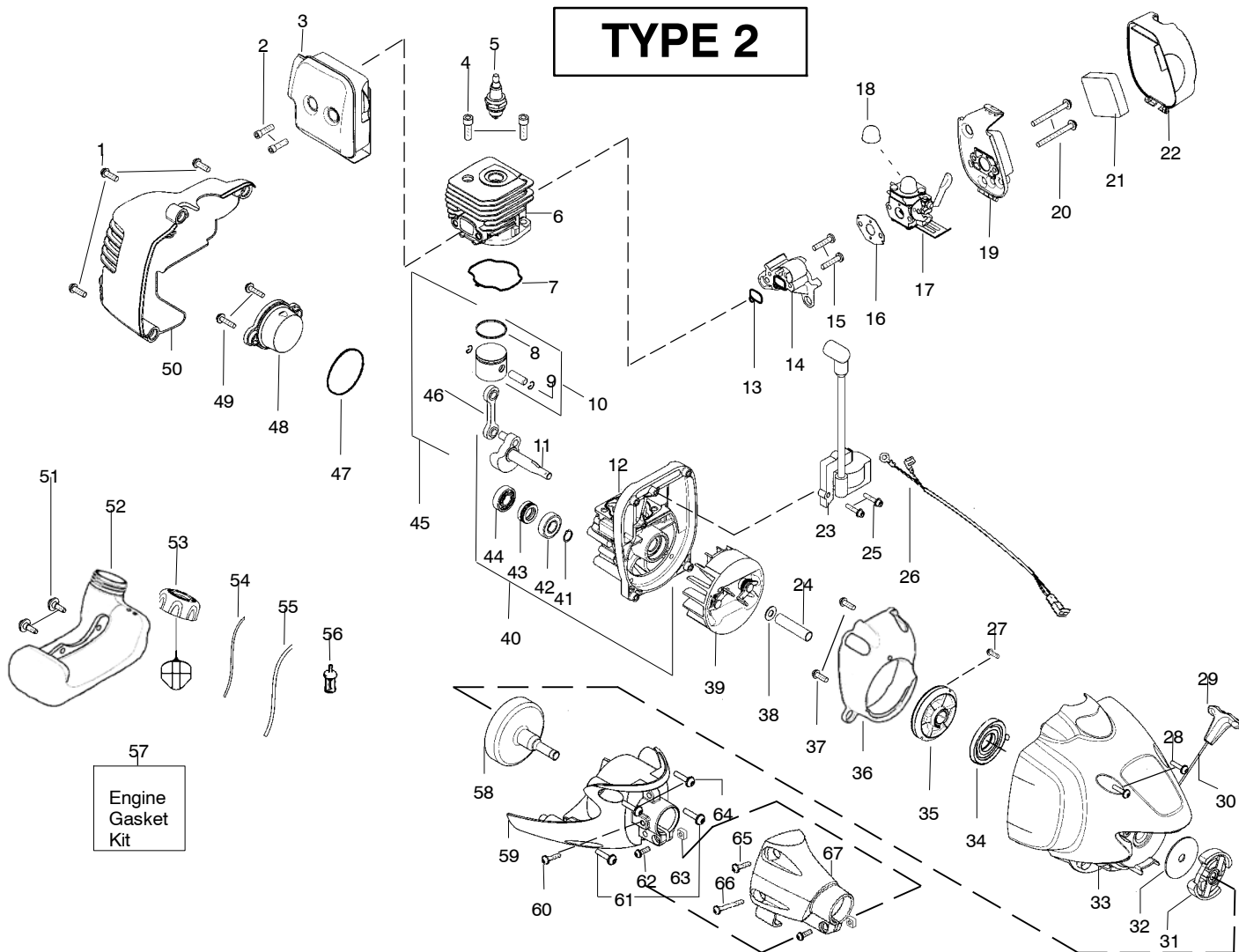
↖ = NEW PART NUMBER FOR THIS IPL

★ = REFER TO THE SERVICE REFERENCE INDICATED FOR MORE INFORMATION. (LOCATED AT END OF IPL)



| Ref.  | Part No.  | Description                        | Ref. | Part No.  | Description                               | Ref.             | Part No.            | Description  |
|---|-----------|------------------------------------|------|-----------|---|------------------|---------------------|--|
| 1.  | 530015880 | Screw                              | 22.  | 530057545 | Cover-Air Box                             | 48.              | 530057954           | Assy-Plug (incl.47)                                |
| 2.  | 530058982 | Bolt-Muffler                       | 23.  | 530035505 | Ignition Module                           | 49.              | 530016386           | Screw  |
| 3.  | 530057863 | Assy-Muffler/Shield<br>(Incl. 2)   | 24.  | 530059758 | Spacer-Flywheel                           | 50.              | 530057539           | Shroud-Rear  |
| 4.  | 530015953 | Screw-Cylinder                     | 25.  | 530016357 | Screw                                     | 51.              | 530016445           | Retainer-Tank                                      |
| 5.  | 952030249 | Spark Plug (RCJ 6Y)                | 26.  | 545054801 | Assy-Switch wire                          | 52.              | 530057974           | Assy-Fuel Tank (incl.<br>filter, lines & fuel cap) |
| 6.  | 530012541 | Cylinder                           | 27.  | 530016391 | Screw                                     | 53.              | 530057973           | Assy-Fuel Cap                                      |
| 7.  | 530071750 | Seal-Cylinder (kit)                | 28.  | 530016386 | Screw                                     | 54.              | 530069247           | Kit-Fuel Line (Small)                              |
| 8.  | 530055120 | Piston Ring                        | 29.  | 530054834 | Handle-Starter<br>Kit - Rope              | 55.              | 530069216           | Kit-Fuel Line (Large)                              |
| 9.  | 530015162 | Retainer-Piston Pin                | 30.  | 530071798 | Assy-Clutch                               | 56.              | 530095646           | Assy-Fuel Pickup                                   |
| 10.   | 530071833 | Kit - Piston<br>(Incl. 8, 9)       | 31.  | 530055122 | Washer-Clutch                             | 57.              | 530071750           | Kit-Engine Gasket<br>(Incl. 7,13,16,47)            |
| 11.   | 530012579 | Assy-Crankshaft                    | 32.  | 530094189 | Washer-Clutch                             | 58.              | 530150247           | Assy-Clutch Drum                                   |
| 12.   | 530012582 | Assy-Crankcase<br>(Incl. 42,43,44) | 33.  | 545016004 | Assy.-Fan Hsg                             | 59.              | 545077301           | Assy-Clutch Cover<br>(Incl. 62,63)                 |
| 13.   | 530071750 | Seal-Cyl/Carb. (kit)               | 34.  | 545213601 | Spring-Starter                            | 60.              | 530016319           | Screw-Align  |
| 14.   | 530057547 | Adapter-Carb.                      | 35.  | 530071797 | Kit-Starter Pulley (incl. 27)             | 61.              | 530015772           | Screw  |
| 15.   | 530016441 | Screw                              | 36.  | 545080601 | Baffle                                    | 62.              | 530016381           | Screw 12-24  |
| 16.   | 530071750 | Gasket-Carb. (kit)                 | 37.  | 530015880 | Screw                                     | 63.              | 530016382           | Nut 12-24  |
| 17.   | 545081807 | Kit-Carb. (WT-670)                 | 38.  | 530016463 | Washer-Clutch Flat                        | 64.              | 530015814           | Screw  |
| (Note: Repair kits are not available for this carburetor) |           |                                    | 39.  | 530039243 | Assy-Flywheel                             | 65.              | 530016179           | Screw  |
| 18.   | -----     | Purge Bulb                         | 40.  | 545102101 | Assy-C'case & C'shaft<br>(Incl. 11,12,41) | 66.              | 530016406           | Screw  |
|   | 530058709 | Zama                               | 41.  | 530015941 | Retain. Ring-C'shaft                      | 67.              | 545162401           | Assy-Nose (Incl. 62,63)                            |
|   | 530035497 | Walbro                             | 42.  | 530055728 | Outer Bearing                             | <b>Not Shown</b> |                     |  |
| 19.   | 530059246 | Air Box                            | 43.  | 530019264 | Seal-C'shaft                              | 530058569        | Lever-Choke(zama)   |  |
| 20.   | 530016429 | Screw                              | 44.  | 530032125 | Inner Bearing                             | 530059297        | Lever-Choke(walbro) |  |
| 21.   | 530036575 | Foam-Air Filter                    | 45.  | 530071785 | Kit-piston/rod<br>(Incl. 10,46)           |                  |                     |  |
|   |           |                                    | 46.  | 530069945 | Kit-Conn. Rod                             |                  |                     |  |
|   |           |                                    | 47.  | 530071750 | O-Ring-C'case (kit)                       |                  |                     |  |

✓ = NEW PART NUMBER FOR THIS IPL      \* = REFER TO THE SERVICE REFERENCE INDICATED FOR MORE INFORMATION. (LOCATED AT END OF IPL)



| Ref.  | Part No.  | Description                        | Ref. | Part No.  | Description                      | Ref. | Part No.  | Description  |
|---|-----------|------------------------------------|------|-----------|----------------------------------|------|-----------|--|
| 1.  | 530015880 | Screw                              | 24.  | 530059758 | Spacer-Flywheel                  | 48.  | 530057954 | Assy-Plug (incl.47)                                |
| 2.  | 530058982 | Bolt-Muffler                       | 25.  | 530016357 | Screw                            | 49.  | 530016386 | Screw  |
| 3.  | 545227901 | Assy-Muffler/Shield<br>(Incl. 2)   | 26.  | 545054801 | Assy-Switch wire                 | 50.  | 530057539 | Shroud-Rear  |
| 4.  | 530015953 | Screw-Cylinder                     | 27.  | 530016391 | Screw                            | 51.  | 530016445 | Retainer-Tank                                      |
| 5.  | 952030249 | Spark Plug (RCJ 6Y)                | 28.  | 530016386 | Screw                            | 52.  | 530057974 | Assy-Fuel Tank (incl.<br>filter, lines & fuel cap) |
| 6.  | 530012541 | Cylinder                           | 29.  | 530054834 | Handle-Starter                   | 53.  | 530057973 | Kit - Rope   |
| 7.  | 530071750 | Seal-Cylinder (kit)                | 30.  | 530071798 | Assy-Clutch                      | 54.  | 530069247 | Kit-Fuel Line (Small)                              |
| 8.  | 530055120 | Piston Ring                        | 31.  | 530055122 | Assy-Clutch                      | 55.  | 530069216 | Kit-Fuel Line (Large)                              |
| 9.  | 530015162 | Retainer-Piston Pin                | 32.  | 530094189 | Washer-Clutch                    | 56.  | 530095646 | Assy-Fuel Pickup                                   |
| 10.   | 530071833 | Kit - Piston<br>(Incl. 8, 9)       | 33.  | 545016004 | Assy.-Fan Hsg                    | 57.  | 530071750 | Kit-Engine Gasket<br>(Incl. 7,13,16,47)            |
| 11.   | 530012579 | Assy-Crankshaft                    | 34.  | 545213601 | Spring-Starter                   | 58.  | 530150247 | Assy-Clutch Drum                                   |
| 12.   | 530012582 | Assy-Crankcase<br>(Incl. 42,43,44) | 35.  | 530071797 | Kit-Starter Pulley<br>(incl. 27) | 59.  | 545077301 | Assy-Clutch Cover<br>(Incl. 62,63)                 |
| 13.   | 530071750 | Seal-Cyl/Carb.(kit)                | 36.  | 545080601 | Baffle                           | 60.  | 530016319 | Screw-Align  |
| 14.   | 530057547 | Adapter-Carb.                      | 37.  | 530015880 | Screw                            | 61.  | 530015772 | Screw  |
| 15.   | 530016441 | Screw                              | 38.  | 530016463 | Washer-Clutch Flat               | 62.  | 530016381 | Assy-C'case & C'shaft<br>(Incl. 11,12,41)          |
| 16.   | 530071750 | Gasket-Carb. (kit)                 | 39.  | 530039243 | Assy-Flywheel                    | 63.  | 530016382 | Nut 12-24  |
| 17.   | 530071822 | Kit-Carb.(C1U-W24)                 | 40.  | 545102101 | Retain. Ring-C'shaft             | 64.  | 530015814 | Screw  |
| (Note: Repair kits are not available for this carburetor) |           |                                    | 41.  | 530015941 | Retain. Ring-C'shaft             | 65.  | 530016179 | Screw  |
| 18.   | 530058709 | Purge Bulb                         | 42.  | 530055728 | Outer Bearing                    | 66.  | 530016406 | Screw  |
| 19.   | 530059246 | Air Box                            | 43.  | 530019264 | Assy-C'case & C'shaft            | 67.  | 545162401 | Assy-Nose(Incl. 62,63)                             |
| 20.   | 530016429 | Screw                              | 44.  | 530032125 | Inner Bearing                    |      |           |  |
| 21.   | 530036575 | Foam-Air Filter                    | 45.  | 530071785 | Kit-piston/rod<br>(Incl. 10,46)  |      |           |  |
| 22.   | 530057545 | Cover-Air Box                      | 46.  | 530069945 | Kit-Conn. Rod                    |      |           |  |
| 23.   | 530035505 | Ignition Module                    | 47.  | 530071750 | O-Ring-C'case (kit)              |      |           |  |
|   |           |                                    |      |           |                                  |      |           | <b>Not Shown</b>                                   |
|   |           |                                    |      |           |                                  |      | 530058569 | Lever-Choke(zama)                                  |

✓ = NEW PART NUMBER FOR THIS IPL    \* = REFER TO THE SERVICE REFERENCE INDICATED FOR MORE INFORMATION. (LOCATED AT END OF IPL)