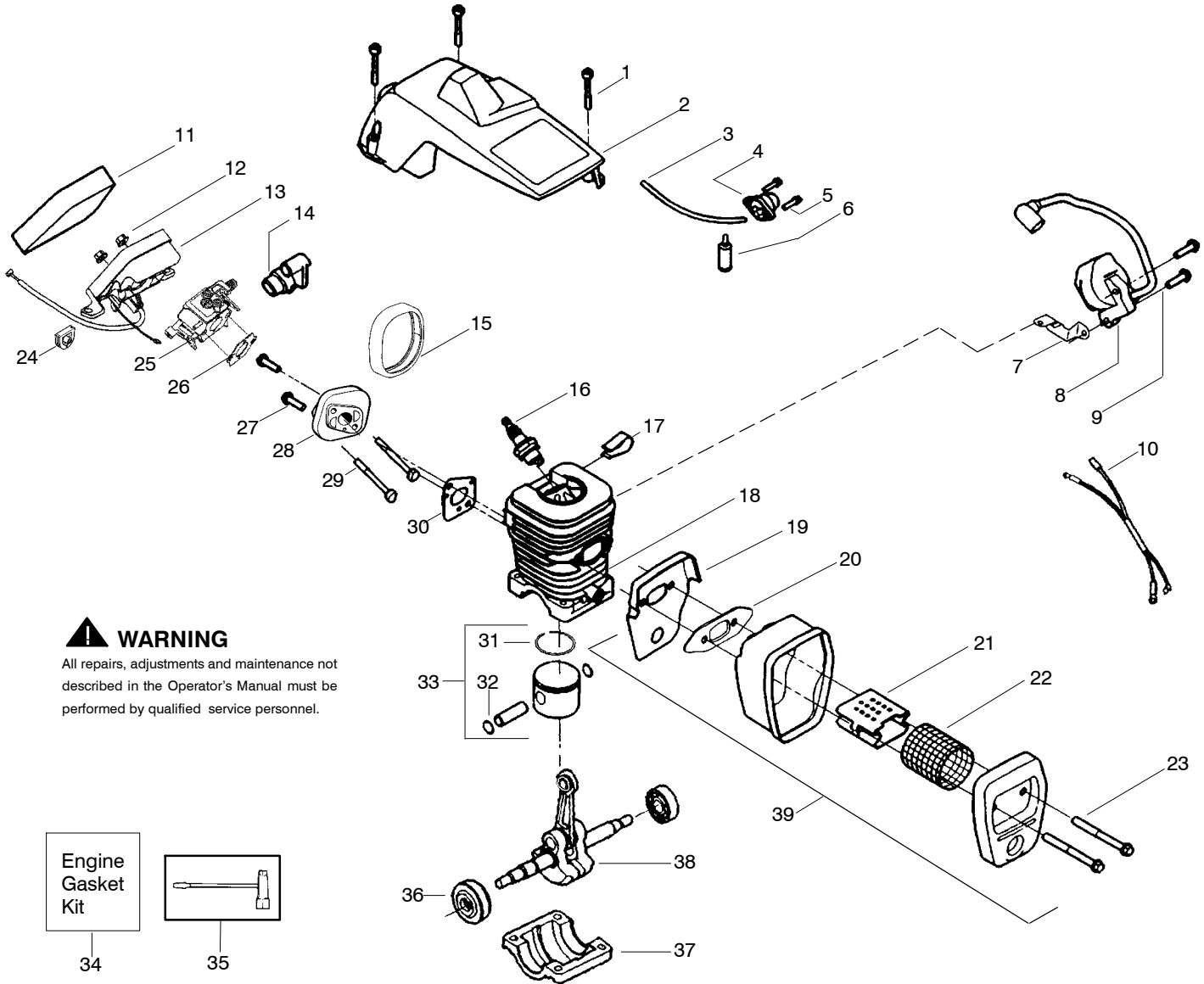


WARNING
All repairs, adjustments and maintenance not described in the Operator's Manual must be performed by qualified service personnel.

| Ref. | Part No. | Description | Ref. | Part No. | Description | Ref. | Part No. | Description |
|------|-----------|----------------------|------|-----------|------------------------|------|-----------|-------------------|
| 1. | 530059667 | Assy.-Isolator | 27. | 530069232 | Kit - Rope | 52. | 530015907 | Washer-Thrust |
| 2. | 530047608 | Limiter Strap | 28. | 530056402 | Handle-Starter | 53. | 530047061 | Assy.-Clutch Drum |
| 3. | 530059668 | Spring-Isolator | 29. | 530027531 | Spring-Recoil | 54. | 530015611 | w/bearing |
| 4. | 530015158 | Washer | 30. | 530015920 | Screw | 55. | 530014949 | Washer-Clutch |
| 5. | 530016018 | Screw | 31. | 530015127 | Washer-Flywheel | 56. | 530071259 | Assy. Clutch |
| 6. | 530015843 | Screw | 32. | 530047534 | Assy-Flywheel | 57. | 530037820 | Kit - Oil Pump |
| 7. | 545048001 | Front Handle | 33. | 530047192 | Assy-Fuel Cap | 58. | 530037820 | (incl. 57,58,60) |
| 8. | 530015940 | Screw | 34. | 530023877 | Fitting-fuel line | 59. | 530049477 | Gear-Worm Spring |
| 9. | 530015814 | Screw | 35. | 530069216 | Kit-Fuel line (large) | 60. | 530016064 | Elbow-Oil Pickup |
| 10. | 530044691 | Bar - 14" | 36. | 530016149 | Spring-Switch | 61. | 530019206 | Screw |
| 11. | 530051538 | Chain - 14" | 37. | 530015775 | Screw | 62. | 530019206 | Seal Block |
| 12. | 530014381 | Kit-Spike (Incl. 13) | 38. | 530047581 | Cover-Rear Handle | 63. | 530047663 | Assy-Oil Pick-up |
| 13. | 530016439 | Screw | 39. | 530015886 | Screw | 64. | 530047663 | (Incl. 62,63) |
| 14. | 530016132 | Screw | 40. | 530015906 | Screw | 65. | 530038373 | Pick-up Oiler |
| 15. | 530038238 | Plate-Bar Mount. | 41. | 530036098 | Throttle Lockout | 66. | 530056533 | Filter-Oil |
| 16. | 530015814 | Screw | 42. | 530036097 | Trigger-Throttle | 67. | 545139901 | Nut-Bar Mounting |
| 17. | 530029850 | Chain Catcher | 43. | 545025001 | Handle - Rear | 68. | 530015917 | Pin-Bar Adjust |
| 18. | 530016133 | Bolt-Bar | 44. | 530071958 | Kit-Isolator (Upper) | | 530015826 | Retainer |
| 19. | 530057236 | Assy-Oil Cap | 45. | 530015875 | Screw | | 530038593 | Kit-Bar Adjusting |
| 20. | 530071666 | Kit-Oil Vent | 46. | 530059668 | Spring-Isolator | | 530069611 | (incl. # 66,67) |
| 21. | 530016134 | Nut-Flywheel | 47. | 530057473 | Lever-Switch | | | |
| 22. | 530016080 | Screw | 48. | 530057474 | Lever-Choke | | | |
| 23. | 530037817 | Starter Pulley | 49. | 530049005 | Grommet-Knob | | | |
| 24. | 530055723 | Baffle - Air | 50. | 530015922 | Nut-"U"-Type | | | |
| 25. | 530015892 | Screw | 51. | 530058730 | Assy-Chassis | | | |
| 26. | 530056333 | Housing-Fan | | | (fuel lines and caps) | | | |

★ = NEW PART NUMBER FOR THIS IPL

★ = REFER TO THE SERVICE REFERENCE INDICATED FOR MORE INFORMATION. (LOCATED AT END OF IPL)



⚠ WARNING

All repairs, adjustments and maintenance not described in the Operator's Manual must be performed by qualified service personnel.

| Ref. | Part No. | Description | Ref. | Part No. | Description | Ref. | Part No. | Description |
|------|-----------|----------------------------|------|-----------|--|------|-----------|--|
| 1. | 530016153 | Screw | 21. | 530037813 | Diffuser - Muffler | 38. | 530047062 | Assy - Crankshaft |
| 2. | 530055709 | Assy - Cylinder Shield | 22. | 530036103 | Screen - Spark | 39. | 530047207 | Assy - Muffler (Incl. 19,20,21,22,23) |
| 3. | 530069247 | Kit - Fuel Line (Small) | 23. | 530016132 | Bolt - Muffler | | | Not Shown |
| 4. | 530071835 | Kit - Air Purge (incl. #5) | 24. | 530047631 | Grommet - Throttle Cable | | | |
| 5. | 530015780 | Screw | 25. | 545081885 | Kit - Carburetor (WT - 891) (Incl. Grommet) | | | |
| 6. | 530095646 | Assy - Fuel Pick-up | 26. | 530069608 | Gasket - Carb. (kit) | | | |
| 7. | 530047442 | Strap - Ground | 27. | 530016386 | Screw | | | |
| 8. | 530039167 | Ignition Module | 28. | 530049700 | Carb. Adapter | | | |
| 9. | 530015814 | Screw | 29. | 530016187 | Screw | | | |
| 10. | 530057475 | Assy - Wire Harness | 30. | 530069608 | Gasket - Adaptor (kit) | | | |
| 11. | 530037793 | Foam - Air Filter | 31. | 530037380 | Ring - Piston | | | Manual |
| 12. | 530016101 | Nut | 32. | 530015697 | Retainer - Piston Pin | | | (Scan) |
| 13. | 530057702 | Assy - Air Box | 33. | 545081872 | Kit - Piston (Incl. 31 & 32) | | | (Euro 1) |
| 14. | 530035526 | Grommet - Carb Adjust | 34. | 530069608 | Kit - Engine Gasket (Incl. 20, 26 & 30) | | | (Euro 2) |
| 15. | 530054144 | Seal - Carb Adapter | 35. | 530031135 | Scrench | | | (Euro 3) |
| 16. | 952030150 | Spark Plug (RCJ - 7Y) | 36. | 530056363 | Assy - Seal & Bearing | | | (Euro 4) |
| 17. | 530016136 | Clip - High Tension Lead | 37. | 530037935 | Cap - Crankcase | | | (Euro 5) |
| 18. | 545122101 | Cylinder | | | | | | (Russian) |
| 19. | 530049870 | Backplate - Muffler | | | | | | (Turkish) |
| 20. | 530069608 | Gasket - Muffler (kit) | | | | | | Decal - Warning CE |
| | | | | | | | | Decal - Warning |

↙ = NEW PART NUMBER FOR THIS IPL

* = REFER TO THE SERVICE REFERENCE INDICATED FOR MORE INFORMATION. (LOCATED AT END OF IPL)