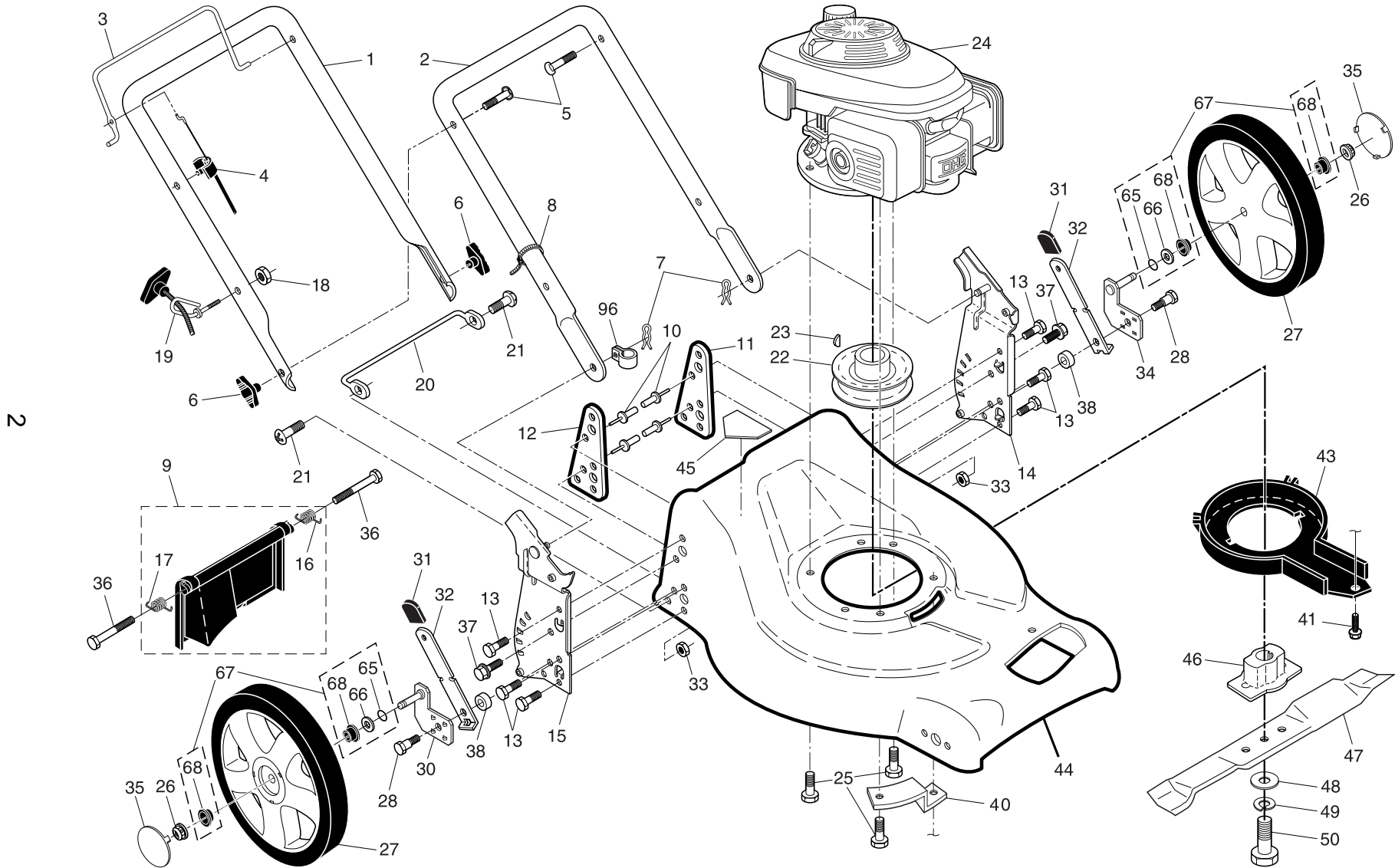


**REPAIR PARTS MANUAL**  
**MODEL NO. BH55Y21RH**  
**MFG. ID. NO. 96141000100**  
**Rotary Lawn Mower**

---

 **McCULLOCH**®

# ROTARY LAWN MOWER - - MODEL NO. BH55Y21RH (96141000100) - PRODUCT NO. 961 41 00-01



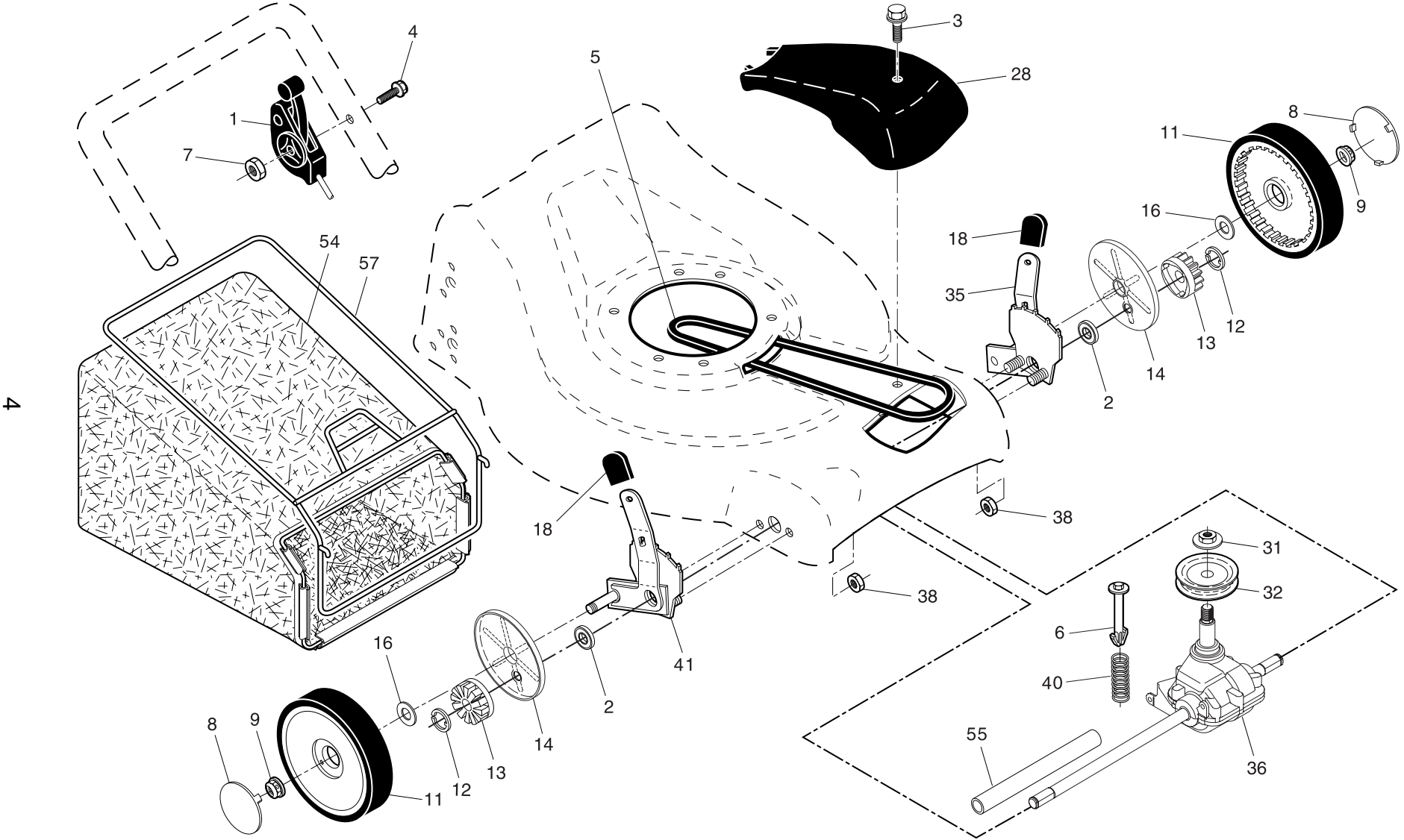
# ROTARY LAWN MOWER - - MODEL NO. BH55Y21RH (96141000100) - PRODUCT NO. 961 41 00-01

3

KEY NO.	PART NO.	DESCRIPTION	KEY NO.	PART NO.	DESCRIPTION
1	532 19 25-17	Upper Handle	30	532 18 25-41	Axle Arm Assembly, Rear, RH
2	532 15 36-05	Lower Handle	31	532 14 60-52	Selector Knob
3	532 14 67-71	Control Bar	32	532 18 25-37	Selector Spring
4	532 18 35-67	Cable, Engine Zone Control	33	873 80 05-00	Locknut, Hex
5	532 19 15-74	Handle Bolt	34	532 18 25-42	Axle Arm Assembly, Rear, LH
6	532 19 19-38	Handle Knob	35	532 19 18-53	Hubcap
7	532 05 17-93	Hairpin Cotter	36	532 18 41-93	Bolt
8	532 06 64-26	Wire Tie	37	532 15 00-78	Thread Cutting Screw w/Sems 5/16-18 x 3/4
9	532 18 04-79	Rear Door Kit (Includes Key Numbers 16 and 17)	38	819 11 22-06	Spacer
10	532 12 84-15	Pop Rivet	40	532 19 09-39	Mounting Bracket, Debris Shield
11	532 18 25-38	Support Bracket, LH	41	532 19 23-25	Screw, Hex Washer Head
12	532 18 25-39	Support Bracket, RH	43	532 18 87-84	Debris Shield
13	817 06 04-10	Screw 1/4-20 x 5/8	44	532 18 75-07	Kit, Lawn Mower Housing (Includes Key Numbers 10, 11, 12 and 45)
14	532 18 25-43	Handle Bracket Assembly, LH	45	532 18 21-66	Danger Decal
15	532 18 25-45	Handle Bracket Assembly, RH	46	532 18 46-32	Blade Adapter
16	532 18 00-71	Spring, Rear Door, LH	47	532 16 58-33	Blade, 21"
17	532 18 00-72	Spring, Rear Door, RH	48	532 85 10-74	Hardened Washer
18	532 13 20-04	Locknut, Hex, Keps 1/4-20	49	532 85 02-63	Helical Washer 3/8-24 x 1-3/8 Grade 8
19	532 17 95-85	Rope Guide	50	532 85 10-84	Hex Head Machine Screw 3/8-24 x 1-3/8 Grade 8
20	532 17 92-05	Foot Guard, C.E.	65	532 18 81-52	O-Ring
21	532 05 45-83	Screw, Tapping 1/4-20 x 1/2	66	532 08 83-48	Washer, Flat 3/8
22	532 18 49-41	Engine Pulley	67	532 19 34-98	Kit, Bushing, High Wheel
23	532 18 77-23	Hi-Pro Key	68	532 19 36-96	Bushing, Nylon, Black
24	- - -	Engine, Honda, Model Number GCV160 (order parts from engine manufacturer)	96	532 19 27-70	Clip, Cable
25	532 15 04-06	Screw, Hex Head, Threaded, Rolled 3/8-16 x 1-1/8	--	532 18 21-34	Decal, Self-Propelled, Internal (not shown)
26	532 08 39-23	Nut, Hex, Flanged	--	532 19 63-27	Operator's Manual, European
27	532 18 05-52	Wheel & Tire Assembly, Rear 14 x 2	--	532 19 63-28	Operator's Manual, Scandinavian
28	532 16 08-28	Shoulder Bolt 5/16-18 x .33	--	532 19 63-29	Operator's Manual, East Bloc
			--	532 19 53-42	Repair Parts Manual, English

**NOTE:** All component dimensions given in U.S. inches. 1 inch = 25.4 mm. **IMPORTANT:** Use only Original Equipment Manufacturer (O.E.M.) replacement parts. Failure to do so could be hazardous, damage your lawn mower and void your warranty.

**ROTARY LAWN MOWER - - MODEL NO. BH55Y21RH (96141000100) - PRODUCT NO. 961 41 00-01**



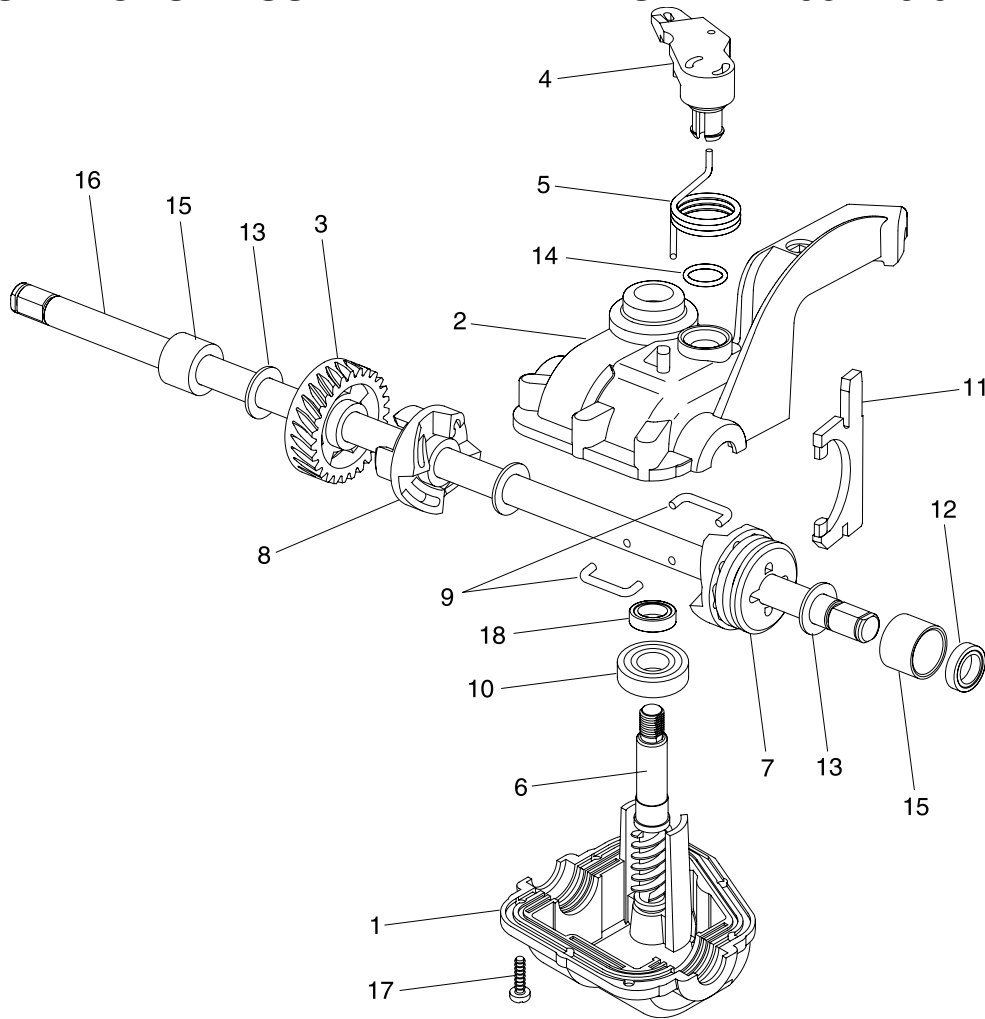
# ROTARY LAWN MOWER - - MODEL NO. BH55Y21RH (96141000100) - PRODUCT NO. 961 41 00-01

5

KEY NO.	PART NO.	DESCRIPTION	KEY NO.	PART NO.	DESCRIPTION
1	532 18 45-88	Cable Assembly, Drive Control	18	532 70 10-37	Selector Knob
2	532 08 80-58	Bearing, Wheel Adjuster	28	532 18 14-67	Drive Cover
3	532 17 52-62	Pan Head Tapping Screw #10-24 x 2-3/4	31	532 13 20-10	Hex Nut, Flanged
4	532 15 87-55	Hex Washer Head Screw 1/4-20 x 2.12	32	532 18 94-07	Drive Pulley
5	532 17 54-36	V-Belt	35	532 15 15-21	Kit, Wheel Adjuster, LH (Includes Knob and Bearing)
6	532 15 04-95	Spring Retainer	36	532 18 01-84	Gear Case Assembly (See Breakdown)
7	532 19 17-30	Nut, Hex, Flanged 1/4-20	38	873 80 04-00	Locknut, Hex 1/4-20
8	532 18 06-26	Hubcap	40	532 13 70-90	Spring
9	532 14 52-12	Locknut, Hex	41	532 15 15-20	Kit, Wheel Adjuster, RH (Includes Knob and Bearing)
11	532 18 07-75	Wheel & Tire Assembly, Front 8 x 2	54	532 19 54-76	Grassbag Assembly
12	812 00 00-58	E-Ring	55	532 17 57-39	Driveshaft Cover
13	532 13 70-54	Pinion	57	532 18 88-15	Frame, Grassbag
14	532 18 94-03	Dust Cover			
16	532 06 77-25	Washer 1/2 x 1-1/2 x .134			

**NOTE:** All component dimensions given in U.S. inches. 1 inch = 25.4 mm. **IMPORTANT:** Use only Original Equipment Manufacturer (O.E.M.) replacement parts. Failure to do so could be hazardous, damage your lawn mower and void your warranty.

**ROTARY LAWN MOWER - - MODEL NUMBER BH55Y21RH  
(96141000100) - PRODUCT NUMBER 961 41 00-01  
GEARCASE ASSEMBLY - PART NUMBER 532 18 01-84**



KEY NO.	PART NO.	DESCRIPTION
1	532 18 34-97	Case, Lower
2	532 18 34-98	Case, Upper
3	532 18 34-99	Gear, 27 Teeth
4	532 18 35-00	Lever, Clutch
5	532 18 35-01	Spring, Return
6	532 18 35-02	Shaft, Input
7	532 18 35-03	Dog, Movable
8	532 18 35-04	Dog, Fixed
9	532 18 35-05	Wire, Formed
10	532 18 35-06	Bearing, Ball
11	532 18 35-07	Fork, Shift
12	532 18 35-08	Seal, Output Shaft
13	532 18 35-09	Washer
14	532 18 35-10	Seal, Case
15	532 18 35-11	Bushing
16	532 18 35-12	Shaft, Output
17	532 18 35-13	Screw
18	532 18 35-14	Seal, Input Shaft
--	532 18 34-04	Kit, Gearcase Replacement

**NOTE:** Use Dow Corning #709 to reseal Gear Case Halves.

**NOTE:** All component dimensions given in U.S. inches. 1 inch = 25.4 mm.  
**IMPORTANT:** Use only Original Equipment Manufacturer (O.E.M.) replacement parts. Failure to do so could be hazardous, damage your lawn mower and void your warranty.

## LIMITED WARRANTY

The Manufacturer warrants to the original consumer purchaser that this product as manufactured is free from defects in materials and workmanship. For a period of two (2) years from date of purchase by the original consumer purchaser, we will repair or replace, at our option, without charge for parts or labor incurred in replacing parts, any part which we find to be defective due to materials or workmanship. This Warranty is subject to the following limitations and exclusions.

1. This warranty does not apply to the engine. Please contact your nearest dealer where they will send the machine to the engine manufacturer.
2. Transportation charges for the movement of any power equipment unit or attachment are the responsibility of the purchaser. Transportation charges for any parts submitted for replacement under this warranty must be paid by the purchaser unless such return is requested by your dealer.
3. Battery Warranty: On products equipped with a Battery, we will replace, without charge to you, any battery which we find to be defective in manufacture, during the first ninety (90) days of ownership. After ninety (90) days, we will exchange the Battery, charging you 1/12 of the price of a new Battery for each full month from the date of the original sale. Battery must be maintained in accordance with the instructions furnished.
4. The Warranty period for any products used for rental or commercial purposes is limited to 90 days from the date of original purchase.
5. This Warranty applies only to products which have been properly assembled, adjusted, operated, and maintained in accordance with the instructions furnished. This Warranty does not apply to any product which has been subjected to alteration, misuse, abuse, improper assembly or installation, delivery damage, or to normal wear of the product.
6. Exclusions: Excluded from this Warranty are belts, blades, blade adapters, normal wear, normal adjustments, standard hardware and normal maintenance.
7. In case of any problem within the boundaries of this warranty, contact the nearest department store, indicate the model number, serial number and the date of purchase of your machine. This warranty does not apply to accidental damages. All implicit warranties are limited to the same time frames. Or contact:

E.M. Services  
54 Rue Lambrechts  
92400 Courbevoie  
France  
Telephone: (1) 46678078  
Fax: (1) 46678095

THIS WARRANTY DOES NOT APPLY TO INCIDENTAL OR CONSEQUENTIAL DAMAGES. ANY IMPLIED WARRANTIES ARE LIMITED TO THE SAME TIME PERIODS STATED HEREIN.



[www.electrolux.com/mcculloch](http://www.electrolux.com/mcculloch)