

	Partner oil	McCulloch oil	2T oil
	50:1	40:1	25:1
	2%	2,5%	4%
1 ltr	20 cm³	25 cm³	40 cm³
4	80	100	160
5	100	125	200
10	200	250	400
20	400	500	800

GB **INSTRUCTION MANUAL**
 IMPORTANT INFORMATION: Please read these instructions carefully and make sure you understand them before using this unit. Retain these instructions for future reference.

DE **BETRIEBSANWEISUNG**
 WICHTIGE INFORMATION: Lesen Sie diese Hinweise zur Handhabung des Geräts aufmerksam durch. Verwenden Sie es erst, wenn Sie sicher sind, daß Sie alle Anweisungen verstanden haben und gut aufbewahren.

FR **MANUEL D'INSTRUCTIONS**
 RENSEIGNEMENTS IMPORTANTS: Avant d'utiliser cet appareil, veuillez lire attentivement les instructions et assurez-vous de les avoir comprises. Conservez les instructions pour référence ultérieure.

NL **HANDLEIDING**
 BELANGRIJKE IMPORTANTS: Lees deze handleiding aandachtig en zorg dat u alles begrijpt alvorens de kettingzaag te gebruiken en be-waar ze voor toekomstige raadpleging.

FI **OHJEKIRJA**
 TÄRKEÄÄ TIETOA: Lue nämä ohjeet huolellisesti ja varmista, että olet ymmärtänyt ne, ennen kuin alat käyttää tätä laitetta ja säilytä myöhempiä tarvetta varten.

SE **BRUKSANVISNING**
 VIKTIG INFORMATION: Läs instruktionerna noggrant och försäkra dig om att du förstår dem innan du använder utrustningen och spara dem för framtida behov.

DK **BRUGERHÅNDBOG**
 VIGTIGE OPLYSNINGER: Læs instruktionerne omhyggeligt, før du bruger enheden og gemme til senere henvisning.

ES **MANUAL DE INSTRUCCIONES**
 INFORMACIÓN IMPORTANTE: Lea atentamente las instrucciones y asegúrese de entenderlas antes de utilizar esta aparato. Conserve las instrucciones para la referencia en el futuro.

PT **MANUAL DO OPERADOR**
 INFORMAÇÕES IMPORTANTES: Queira ler cuidadosamente estas instruções e tenha certeza de entendê-las antes de usar a serra e guarde para consulta futura.

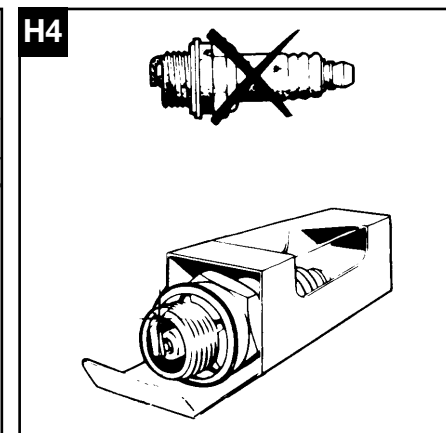
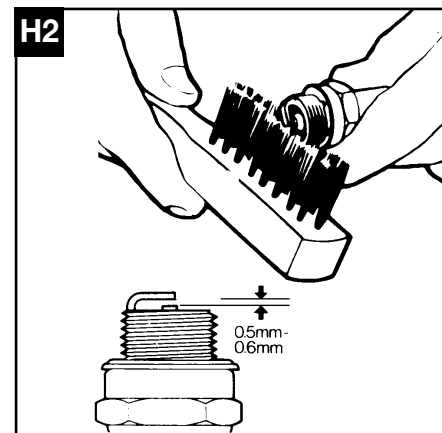
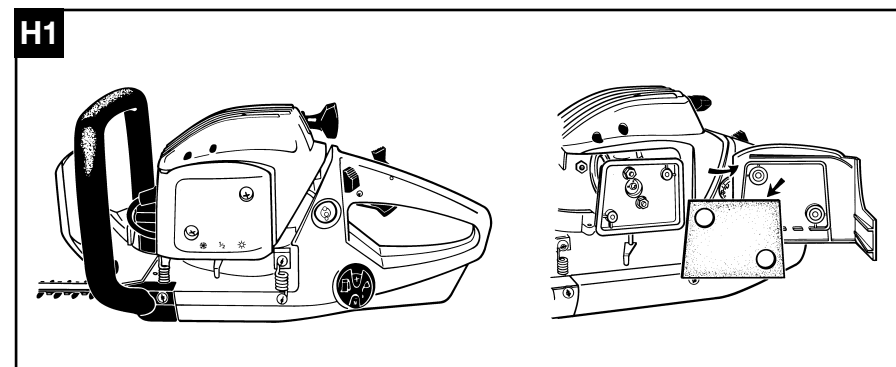
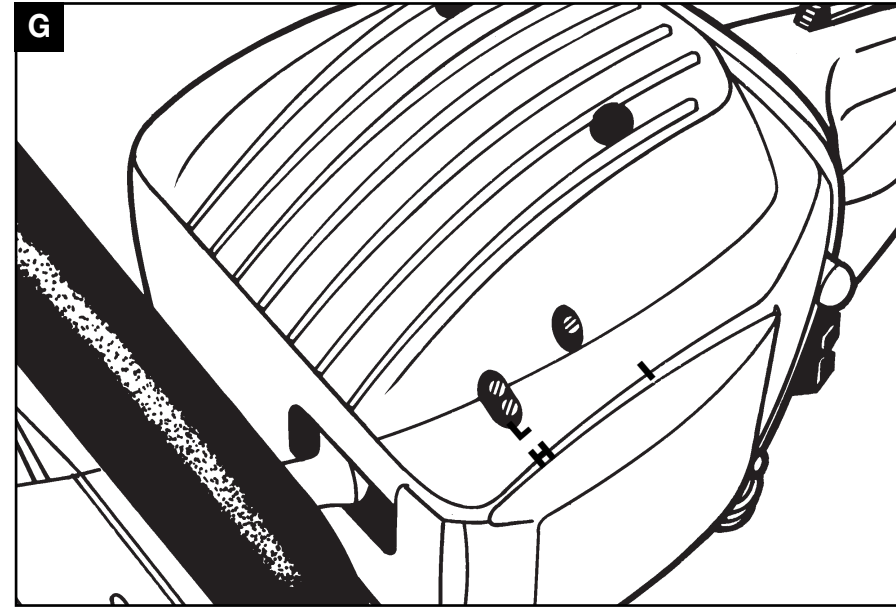
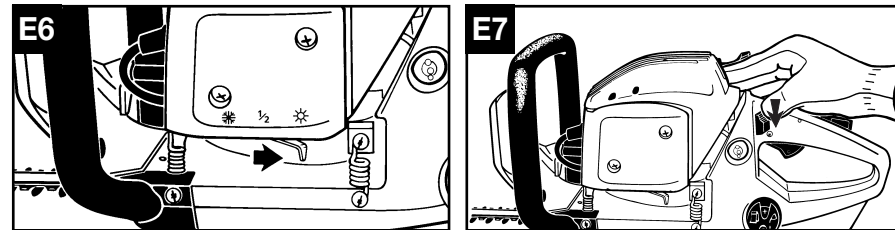
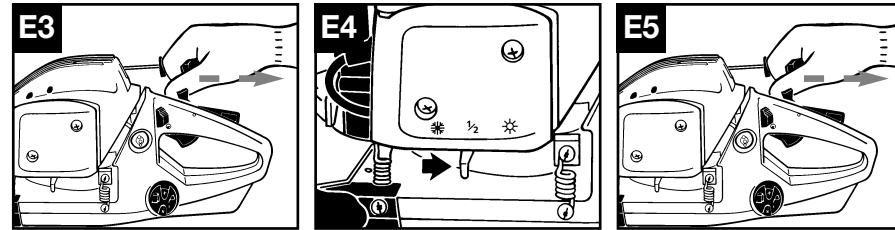
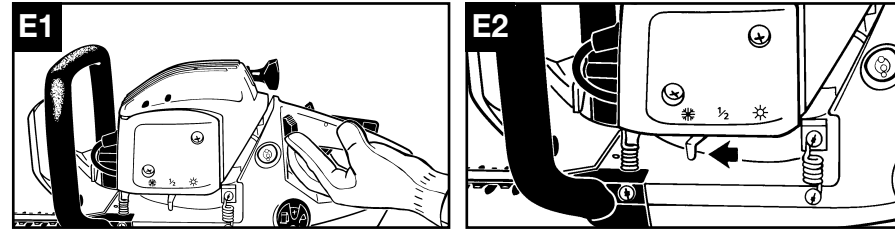
IT **LIBRETTO D'ISTRUZIONI**
 INFORMAZIONI IMPORTANTI: Leggere le istruzioni attentamente e capirle bene prima di usare la motosega. Conservare per ulteriore consultazione.

GR **ΕΓΧΕΙΡΙΔΙΟ ΧΕΙΡΙΣΜΟΣ**
 ΣΗΜΑΝΤΙΚΕΣ ΠΛΗΡΟΦΟΡΙΕΣ: Διαβάστε προσεκτικά αυτές τις οδηγίες και φροντίστε να τις κατανοήσετε αυτό το μηχάνημα και φυλάξτε το για να το συμβουλευέστε στο μέλλον.



Husqvarna Outdoor Products Italia SpA
 Via Como, 72
 23868 Valmadrera LC
 ITALIA
 Phone +39 0341 203111 - Fax +39 0341 581671





- GB** Due to a constant product improvement programme, the factory reserves the right to modify technical details mentioned in this manual without prior notice.
- DE** Im Sinne des Fortschritts behält sich der Hersteller das Recht vor, technische Änderungen ohne vorherigen Hinweis durchzuführen.
- FR** La Maison se réserve la possibilité de changer des caractéristiques et des données de ce manuel à n'importe quel moment et sans préavis.
- NL** Door konstante produkt ontwikkeling behoud de fabrikant zich het recht voor om rechnische specificaties zoals vermeld in deze handleiding te veranderen zonder hiervan vooraf bericht te geven.
- FI** Jatkuvan tuotteen parannusohjelman tähden valmistaja pidättää oikeuden vaihtaa ilman ennakkovaroitusta tässä ohjekirjasessa mainittuja teknisiä yksityiskohtia.
- SE** Tilverkaren reserverar sig rätten att ändra fakta och uppgifter ur handboken utan förvarning.
- DK** Producenten forbeholder sig ret til ændringer, hvad angår karakteristika og data i nærværende instruktion, når som helst og uden varsel.
- ES** La firma productora se reserva la posibilidad de cambiar las características y datos del presente manual en cualquier momento y sin previo aviso.
- PT** A casa productora se reserva a possibilidade de variar características e dados do presente manual em qualquer momento e sen aviso prévio.
- IT** La casa produttrice si riserva la possibilità di variare caratteristiche e dati del presente manuale in qualunque momento e senza preavviso.
- GR** Λόγω προγράμματος συνεχούς βελτίωσης προϊόντων, το εργοστάσιο επιφυλάσσεται του δικαιώματος να τροποποιεί τις τεχνικές λεπτομέρειες που αναφέρονται στο εγχειρίδιο αυτό χωρίς προηγούμενη ειδοποίηση.

GB EC Declaration of Conformity
The undersigned, authorised by H.O.P.I., declares that the following products: **Virginia MH 452P - 555P**, manufactured by H.O.P.I., Valmadrera, Italia, are in accordance with the European Directives 98/37/CCE (Machinery Directive), 93/68/CEE (CE Marking Directive) & 89/336/CEE (Directive on electromagnetic compatibility), directive 2000/14/CEE (Annex V).

DE CE Konformitätserklärung
Der unterzeichnete, bevollmächtigt durch H.O.P.I., daß folgende Geräte: **Virginia MH 452P - 555P**, hergestellt durch H.O.P.I., Valmadrera, Italia, den Europäischen Richtlinien 98/37/CCE (Maschinen-richtlinie), 93/68/CEE (CE Kennzeichnungsrichtlinie) & 89/336/CEE (EMV Richtlinie) entsprechen, richtlinie 2000/14/CEE (Anhang V).

FR Déclaration de conformité Européenne
Le soussigné, dûment mandaté par H.O.P.I., déclare que les produits suivants: **Virginia MH 452P - 555P**, fabriqués par H.O.P.I., Valmadrera, Italia, sont conformes aux Directives Européennes 98/37/CCE (Directive Sécurité Machine), 93/68/CEE (Directive Marquage CE) & 89/336/CEE (Directive EMC), directive 2000/14/CEE (Annexe V).

NL EG Conformiteitsverklaring
Ondergetekende, gemachtigd door H.O.P.I., verklaart dat de volgende producten: **Virginia MH 452P - 555P**, geproduceerd door E.O.P.I., Valmadrera, Italia, voldoen aan de Europese Richtlijnen 98/37/CEE (Machinerie Richtlijn), 93/68/CEE (EG Markering Richtlijn) & 89/336/CEE (Richtlijn aangaande elektromagnetische compatibiliteit), richtlijn 2000/14/CEE (Annex V).

FI EY Julistus Vastaavuudesta
Allekirjoittanut, H.O.P.I., in valtuttaamana, vakuuttaa että seuraavat tuotteet: **Virginia MH 452P - 555P**, ja jotka on valmistanut E.O.P.I., Valmadrera, Italia, Euroopan direktiivien 98/37/CCE(Koneisto-direktiivi), 93/68/CEE (CE Merkintä-direktiivi) & 89/336/CEE (Elektromagneettinen Yhteensopivuu-direktiivi), direktiivi 2000/14/CEE (Liite V).

SE EG-försäkrän om överensstämmelse
Undertecknad, auktoriserad av H.O.P.I., försäkrar att följande produkter: **Virginia MH 452P - 555P**, tillverkade av E.O.P.I., Valmadrera, Italia, är i överensstämmelse med följande europeiska direktiv 98/37/CCE (Maskindirektiv), 93/68/CEE (CE-märkningsdirektiv) & 89/336/CEE (Elektromagnetisk kompatibilitet), direktiv 2000/14/CEE (Annex V).

DK EU Overensstemmelseerklæring
Underskrive, bemyndiget af H.O.P.I., erklærer herved, at følgende produkter **Virginia MH 452P - 555P**, H.O.P.I., Valmadrera, Italia, er i overensstemmelse med de europæiske direktiver 98/37/CCE (Maskineri direktiv), 93/68/CEE (CE mærkningsdirektiv) & 89/336/CEE (EMC-direktiv), direktiv 2000/14/CEE (Annex V).

ES Declaracion de cumplimiento de la directriz de la UE
El abajo firmante, autorizado por H.O.P.I., que los siguientes productos: **Virginia MH 452P - 555P**, fabricados por H.O.P.I., Valmadrera, Italia, cumplen con las directivas Europeas 98/37/CCE (Directiva sobre Maquinaria), 93/68/CEE (Directiva sobre Marcas de la CE) & 89/336/CEE (Directiva sobre 'Compatibilidad Electro Magnética'), directiva 2000/14/CEE (Anexo V).

PT Declaração de Conformidade
O abaixo assinado, autorizado por H.O.P.I., declara que os seguintes produtos: **Virginia MH 452P - 555P**, fabricada por H.O.P.I., Valmadrera, Italia, estão de acordo com as Directivas Europeias 98/37/CCE Directiva de Maquinaria), 93/68/CEE (Directiva de Marcação CE) e 89/336/CEE (Directiva de Compatibilidade Electromagnética), directiva 2000/14/CEE (Apêndice V).

IT Dichiarazione di Conformità CE
Il sottoscritto, autorizzato dalla H.O.P.I., dichiara che i seguenti prodotti: **Virginia MH 452P - 555P**, costruiti da H.O.P.I., Valmadrera, Italia, sono conformi alle Direttive Europee: 98/37/CEE (Direttiva Macchine), 93/68/CEE (Direttiva Marcatura CEE) & 89/336/CEE (Direttiva Compatibilità Elettromagnetica), direttiva 2000/14/CEE (Allegato V).

GR Δήλωση Συμμόρφωσης προς τις Εντολές της ΕΕ
Ο υπογεγραμμένος, με εξουσιοδότηση της H.O.P.I., δηλώνει ότι τα εξής προϊόντα: **Virginia MH 452P - 555P**, κατασκευασθέντα από την H.O.P.I., Valmadrera, Italia, ΗΠΑ ανταποκρίνονται προς τις Ευρωπαϊκές Εντολές 98/37/CEE (η περί Μηχανημάτων Εντολή), 83/68/CEE (η περί του Σήματος CE Εντολή) & 89/336/CEE (η περί Ηλεκτρομαγνητικής Συμβατότητας Εντολή), Απρεκτεβή 2000/14/CEE (Γρήγο ετη V).

Todero Ceila

Valmadrera, 15.12.05
Giuseppe Todero (Direttore Tecnico)
Husqvarna Outdoor Products Italia SpA

A. General description

- | | |
|-------------------------------|-----------------------|
| 1) Trimmer blades | 10) Ignition switch |
| 2) Blade guides | 11) Gear box assembly |
| 3) Fuel tank cap | 12) Front hand guard |
| 4) Rear handle | 13) Air cleaner cover |
| 5) Starter handle | 14) Choke lever |
| 6) Muffler shield/top cover | 15) Primer bulb |
| 7) Spark plug boot/spark plug | 16) Safety trigger |
| 8) Front handle | 17) Blade sheaths |
| 9) Throttle trigger | |

Safety precautions



If not used properly this Hedgetrimmer can be dangerous. The warnings and safety instructions must be followed to ensure reasonable safety and efficiency in using this product. The operator is responsible for following the warnings and instructions in this manual and on the product.

Explanation of Symbols



Warning



Read the user instructions carefully to make sure you understand all the controls and what they do.



Wear safety clothing:
Approved safety glasses or face shield



Wear safety clothing:
Approved safety helmet



Wear safety clothing:
Approved ear defender



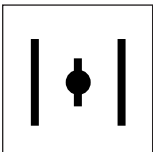
Wear safety clothing:
Approved gloves



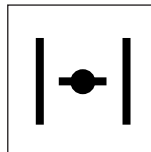
Wear safety clothing:
Approved safety footwear



Do not smoke while refuelling or while operating the trimmer



Choke fully opened
(hot start / run)



Choke closed (cold start)

B. Safety precautions

- **This machine can cause serious injuries if not used in the correct manner.**
- If using the face shield, ensure you peel off the protective films from the see-through plastic.
- Ensure all operators study this manual carefully and thoroughly before using the hedge trimmer.
- Be familiar with all controls and the proper use of this machine.
- As with all machinery, long hair, loose belts or straps should be tied back or secured to avoid possible contact or entanglement with moving parts.
- Wear close-fitting protective clothes. Wear safety shoes, gloves, goggles and ear protectors. Ensure you know how to stop the engine in an emergency. Start the engine according to these instructions.
- Stop the engine when changing location or before examining the blades.
- Prolonged use of this or other machines exposing the operator to vibration may produce Whitefinger's Disease (Raynaud's Phenomenon). This may reduce the hands' ability to feel and regulate temperature and may produce general numbness. Continual or regular users should therefore monitor closely the condition of their hands or fingers. If any of the symptoms appear, seek immediate medical advice.
- Do not operate this machine when tired or under the influence of any substances such as drugs or alcohol which can impair vision, dexterity or judgement.
- Carefully survey the working site to note any hazards (eg road, paths, electricity cables, dangerous trees, etc).
- Ensure other persons are at a safe working distance (minimum distance of 10 metres).
- If necessary use warning signs to keep onlookers at a safe distance.
- Ensure someone is nearby within a safe hearing distance in case of an accident.
- When transporting or storing the machine always fit the blade sheath
- Never allow children to use this machine

C . Additional safety precautions

- Always hold the hedgetrimmer firmly with both hands when the engine is running.
- Always maintain a firm foothold. Do not use while standing on a ladder. Use properly installed scaffolding to reach high places.
- Keep handles dry, clean and free from fuel mixture.
- If fuel has spilt on unit, ensure engine has dried completely before starting.
- Keep all parts of your body and clothing away from blades when starting or running engine.
- When transporting the hedgetrimmer in a vehicle, secure it to prevent fuel spillage.

D. Fuel mix

Do not use any other type of fuel than the type recommended in this manual.

This product is equipped with a two-stroke engine and must therefore use a mixture of lead-free gasoline (with a minimum of 90 octanes) and fully synthetic oil for two-stroke engines, specific for lead-free gasoline in the proportions indicated in the table on the cover page at item (D).

IMPORTANT! Read the oil specifications on the can carefully: the use of oil lacking the specifications indicated in this manual can cause severe damage to the engine!

To obtain the best mixture, pour the oil first, followed by the gasoline, into an approved container, shake well (repeat the operation every time you draw any fuel from the container).

The characteristics of the mixture are subject to

aging and may be altered in time, so we recommend mixing only the amount strictly needed for use. If you use a mixture that is several weeks old, this could damage the engine.

WARNING

Do not smoke when re-fuelling.

Always open the fuel cap slowly, to release any pressure build up in the tank.

Re-fuel in open spaces only, keeping away from naked flames or sparks.

SAFE STORAGE OF FUEL

Petrol fuel mix is highly inflammable.

Put out all cigarettes, pipes and cigars before working with fuel.

Avoid spilling fuel. Store fuel in a cool, well ventilated place, in an approved container specifically designed for the purpose.


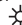
Never store engine with fuel in the tank in

enclosed, poorly ventilated areas where fuel fumes may reach an open flame, spark or pilot light such as in a furnace, water heater, clothes dryer etc. Petrol fumes can cause an explosion or a fire. Never store large amounts of fuel.

To prevent possible restarting problems avoid running the fuel tank dry.
This also helps to extend engine life.


E. Starting and stopping the engine

Starting a cold engine

- 1 Move stop switch to on position. Depress the primer bulb 5 times.
- 2 Move choke lever to  position.
- 3 Pull starter rope until engine fires once.
- 4 Move choke lever to 1/2 position.
- 5 Pull starter rope until engine fires. Allow engine to warm up for 15 seconds.
- 6 Move choke lever to  position.
- 7 To stop engine, push stop switch to stop position.

If the engine fails to start repeat the above procedure.

Starting a warm engine

- 1 Stop switch to on position.
- 2 Depress the primer bulb 5 times if the fuel tank has run empty.
- 3 Ensure the choke is on  position.
- 4 Pull starter handle until engine runs. Allow engine to run for 15 seconds.
- 5 If the engine fails to start repeat points 4, 5 and 6 for 'Starting a cold engine.'

F. Cutting instructions

- If unfamiliar with trimming or cutting techniques, practice the procedure with engine in 'Off' position.
- Clear work area of debris such as cans, bottles, rocks etc. Striking objects can cause serious injury to operator, bystanders and equipment. If an object is hit accidentally, immediately turn off engine and examine equipment.
- Always hold unit firmly with both hands, thumbs and fingers encircling handles.
- Always trim or cut at high engine speeds. Do not run engine slowly at start or during cutting operations.
- Do not use this unit for purposes other than trimming shrubs, hedges or bushes.
- Never raise hedgetrimmer above chest height during operation.
- Do not operate unit with other people or animals in the immediate vicinity.
- Always ensure the handle and guard is fitted in place when using the machine. Never attempt to use an incomplete machine or one which has been modified by anyone other than an authorised service dealer.

Using your hedgetrimmer

- Your hedgetrimmer is equipped with a centrifugal clutch so the cutting blades will stop moving when the engine is at idle. If the blades move when the engine is at idle, the carburettor idle speed needs adjusting. If this does not solve the problem, do not use the hedgetrimmer - take it immediately to an Authorised Service Agent.
- Always allow the engine to idle before moving from one section of the bush or hedge to another. Wait until blades stop moving. Before

resuming trimming, check that your stance is correct.

- Always be sure of your footing. Do not over-reach.
- Do not use hedgetrimmer while standing on a ladder or other unstable surfaces. If trimming tall hedges or bushes, use scaffolding which is stable and secure.
- Do not operate the machine if the blades are damaged or excessively worn.
- To reduce any fire hazard keep the engine and muffler free of debris, leaves or excessive lubricant.

Trimming Procedures

WARNING: Wear heavy duty gloves when operating this unit.

There are two trimming procedures: Horizontal A and Vertical B.

- The horizontal trimming position is used to cut the top of bushes, shrubs or hedges. Always trim from right to left. Do not use hedgetrimmer above chest height.
 - The vertical trimming procedure is used to cut the sides of bushes, shrubs and hedges. Always cut from bottom to top.
- 1 Place right hand on rear handle assembly and left hand on the front handle.
 - 2 Trim area to be cut whilst squeezing throttle trigger to maximum extent. When finished release throttle trigger. Allow engine to return to idle position. Blade action should stop. Move to next section to be cut.
 - 3 After moving to the next section, make sure you are standing on firm ground, squeeze trigger to full extent and resume trimming.

G. Carburettor adjustment

Your machine is fitted with a highly sensitive low emission carburettor. We therefore recommend that carburettor adjustments are only made by an authorised servicing dealer, equipped with instruments that will ensure best performance with lowest emission levels.

To adjust the idle speed, however, proceed as follows:

With engine running and warm, slowly turn screw 'I' clockwise until the engine runs smoothly with a consistent noise level but without making the

blade move.

If the cutting attachment does move or the engine runs too fast, slowly turn screw 'I' in an anticlockwise direction until the correct speed is obtained. Precise numerical engine speed settings are mentioned in the technical detail chart in the front of the operator's manual.

Warranty may be invalidated from incorrect carburettor adjustment made by persons other than an authorised dealer.

H. Regular maintenance

Every 10 work hours

1 Air filter cleaning

Never operate hedgetrimmer without the air filter, this will damage the engine.

- Remove the 2 air cleaner cover screws.
- Take off the air cleaner cover and remove air filter from the back of the cover.
- Clean air filter in warm soapy water. DO NOT USE PETROL.
- Allow filter to dry.

- Re-install filter.

Note: replace filter if torn or damaged.

2 Remove spark plug

- Clean and adjust electrodes setting.

Every 50 work hours

3 Change spark plug

Long storage

- Empty fuel tank and run engine dry.

Technical data

Displacement (cc)	25
Bore	35
Stroke (mm)	26
Engine output din hp/kW	0.9/0.7
Engine speed at max power	8,000 - 9,000
Fuel tank capacity (cc)	370
Weight (Kg)	4.5/4.8
Sound pressure level (at the operator's ear) LpAav (dBA) (ISO7917)	83/100dB(A)
Guaranteed noise level LwAav (dBA) (ISO 10884)	108
Measured sound power level LwAav (dBA) (ISO 10884)	106
Vibration levels recorded at the operators hand position idle/racing	4/8 m/s ²

Fault finding

Engine will not start

- Check stop switch is in the correct position
- Check fuel level

Engine will not start or runs badly

- Check air filter is clean
- Remove sparkplug - dry, clean and adjust, and replace if necessary
- Have carburettor adjusted

Engine runs fast but loses power when working

- Have carburettor adjusted
- Change fuel filter
- Contact your dealer

Engine still gives trouble

- Contact your dealer

Note: Do not attempt to repair your machine unless you are qualified to do so.