

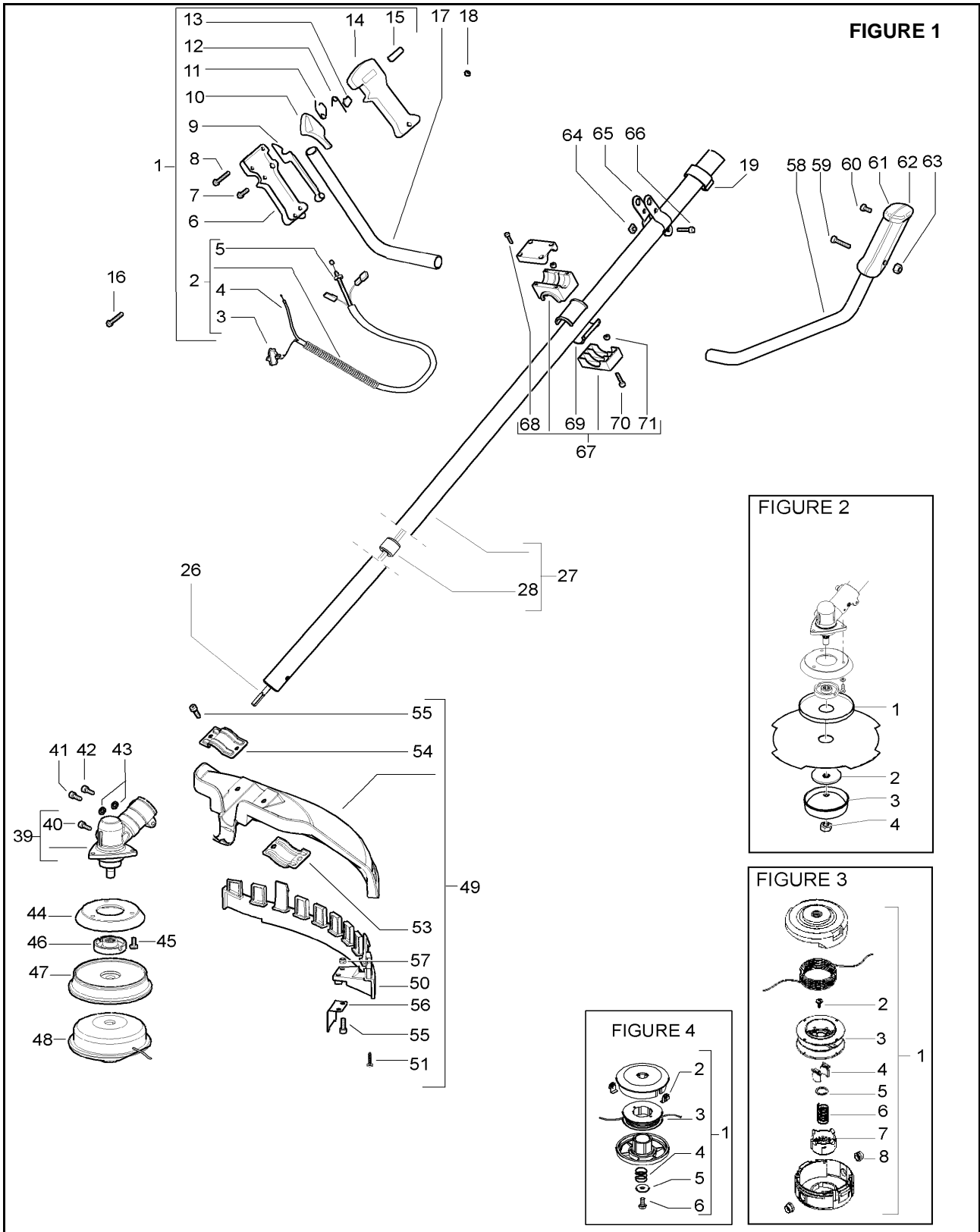
ELECTROLUX OUTDOOR PRODUCTS

| PNC | Type/Prefix/nd | Model | Brand |
|------------|-----------------------|--------------|--------------|
| 953900445 | 04 | CABRIO 291 | McCULLOCH |
| 953900244 | 04 | CABRIO 261 | McCULLOCH |
| 953900447 | 04 | B 291 | PARTNER |
| 953900250 | 04 | B 261 | PARTNER |
| 953900642 | 04 | B 291 TNG | PARTNER |

Number of Pages 1 of 5

| | |
|---|-----------------------------|
| Factory: IIQ - Valmadrera | Product Group: OP 93 |
| Publication Number: EIPL2005_VP0504005 | Petrol Portable |
| Publication Date: 07/04/05 | Sub Group 9433 |

Service



| Item | P/N McC | P/N ELX | Qty | DESCRIPTION |
|-----------------|-----------|-----------------|-----|-------------------------------|
| FIGURE 1 | | | | |
| 1 | 227089 | 538227089 | 1 | trigger box assy |
| C 2 | • 227082 | 538227082 | 1 | cable assy |
| C 3 | •• 236394 | 538236394 | 1 | switch |
| C 4 | •• 227054 | 538227054 | 1 | throttle cable |
| 5 | • 235912 | 538235912 | 1 | nut M6 |
| 6 | • 241293 | 538241293 | 1 | half handle (right) |
| 7 | • 240618 | 538240618 | 2 | screw 3x16 |
| 8 | • 240833 | 538240833 | 3 | screw 3x20 |
| 9 | • 229820 | 538229820 | 1 | safety lever |
| 10 | • 241295 | 538241295 | 1 | throttle trigger |
| 11 | • 240091 | 538240091 | 1 | throttle trigger spring |
| 12 | • 229973 | 538229973 | 1 | throttle advance spring |
| 13 | • 229823 | 538229823 | 1 | throttle advance |
| 14 | • 241294 | 538241294 | 1 | half handle (left) |
| 15 | • 229824 | 538229824 | 1 | throttle advance slide |
| 16 | 235804 | 538235804 | 1 | screw M5x30 |
| 17 | 229831 | 538229831 | 1 | right handle bar |
| 18 | 235216 | 538235216 | 1 | nut M5 |
| 19 | 229850 | 538229850 | 2 | cable retain |
| 26 | 240486 | 538240486 | 1 | drive shaft |
| 27 | 242442 | 538242442 | 1 | shaft assy |
| 28 | • 228192 | 538228192 | 5 | bushing |
| 39 | 242728 | 538242728 | 1 | gear box |
| 40 | • 240151 | 538240151 | 1 | screw M8x10 |
| 41 | 235802 | 538235802 | 1 | screw 5x14 |
| 42 | 235803 | 538235803 | 1 | screw 5x25 |
| 43 | 236529 | 538236529 | 2 | split washer |
| 44 | 242729 | 538242729 | 1 | flange adapter |
| 45 | 240688 | 538240688 | 3 | screw M5 and washer |
| A 46 | 242815 | 538242815 | 1 | flange |
| B 47 | 242823 | 538242823 | 1 | spacer (TNG string head) |
| B 47 | 241155 | 538241155 | 1 | spacer (standard string head) |
| A 48 | | FIGURE 3 | 1 | string head (TNG) |
| A | | FIGURE 4 | 1 | string head (standard) |
| B 49 | • 249155 | 538249155 | 1 | guard ass'y |
| B 50 | • 242644 | 538242644 | 1 | guard extension |
| 51 | • 240862 | 538240862 | 1 | screw M5x14 |
| 53 | • 242752 | 538242752 | 1 | lower clamp |
| 54 | • 242629 | 538242629 | 1 | upper clamp |
| 55 | • 227563 | 538227563 | 4 | screw M5x16 |
| 56 | • 241973 | 538241973 | 1 | line cutter |
| 57 | • 229208 | 538229208 | 2 | nut |
| 58 | 229832 | 538229832 | 1 | left handle bar |
| 59 | 235212 | 538235212 | 1 | screw M5x35 |
| 60 | 240833 | 538240833 | 1 | screw M3x20 |
| 61 | 229985 | 538229984 | 1 | left handle (right half) |
| 62 | 229984 | 538229985 | 1 | left handle (left half) |
| 63 | 235216 | 538235216 | 1 | nut M5 |

| Item | P/N McC | P/N ELX | Qty | DESCRIPTION |
|------|----------|-----------|-----|------------------------|
| 64 | 236642 | 538236642 | 2 | nut M6 |
| 65 | 228152 | 538228152 | 2 | harness clamp (1 half) |
| 66 | 235911 | 538235911 | 2 | screw M6x12 |
| 67 | 241685 | 538241685 | 1 | handle clamp assy |
| 68 | • 236558 | 538236558 | 4 | screw M6x40 |
| 69 | • 241684 | 538241684 | 2 | half bearing |
| 70 | • 235911 | 538235911 | 2 | screw M6x30 |
| 71 | • 235912 | 538235912 | 6 | nut M6 |

| FIGURE 2 | | | | |
|-----------------|--------|-----------|---|-------------|
| B 1 | 241155 | 538241155 | 1 | flange |
| A 2 | 241006 | 538241006 | 1 | plate blade |
| A 3 | 236596 | 538236596 | 1 | cup |
| A 4 | 240481 | 538240481 | 1 | nut |

| FIGURE 3 TNG STRING HEAD | | | | |
|---------------------------------|-----------|-----------|---|---------------|
| A 1 | 538249346 | 538249346 | 1 | string head |
| 2 | • 249374 | 538249374 | 1 | set screw |
| C 3 | • 249375 | 538249375 | 1 | reel |
| C 4 | • 249376 | 538249376 | 2 | ratchet |
| C 5 | • 249377 | 538249377 | 1 | washer |
| C 6 | • 249378 | 538249378 | 1 | return spring |
| C 7 | • 249379 | 538249379 | 1 | button |
| C 8 | • 249380 | 538249380 | 2 | eyelet |

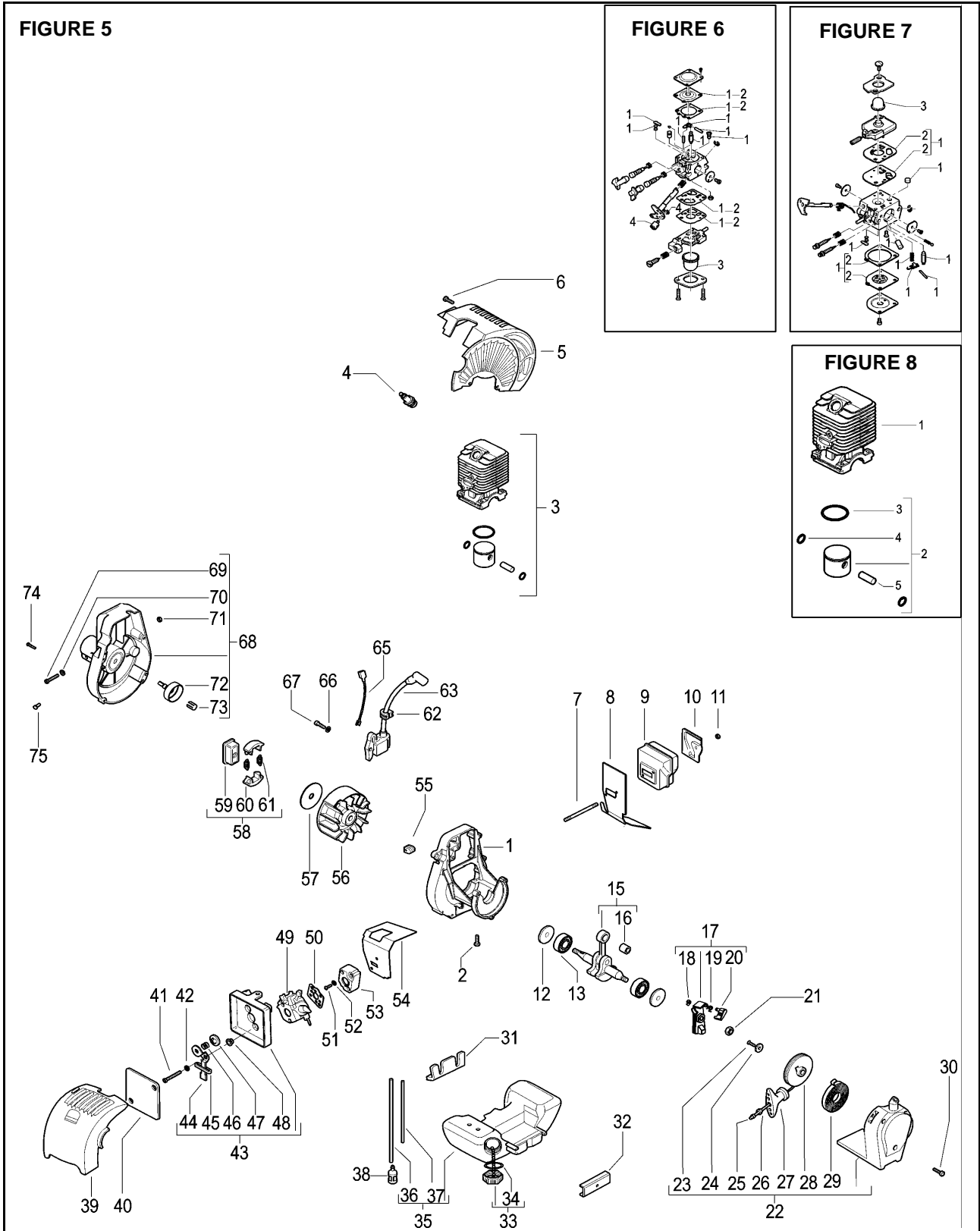
| FIGURE 4 STANDARD STRING HEAD | | | | |
|--------------------------------------|-----------|-----------|---|---------------|
| A 1 | 538249174 | 538249174 | 1 | string head |
| B 2 | • 241154 | 538241154 | 2 | eyelet |
| B 3 | • 247395B | 538047395 | 1 | 2 line spools |
| 4 | • 240852 | 538240852 | 1 | spring |
| 5 | • 5210 | 538005210 | 1 | locking nut |
| 6 | • 229712 | 538229712 | 1 | screw 5x16 |

A=ALTA ROTAZIONE
B=MEDIA ROTAZIONE
C=ALTA ROTAZIONE
NUOVI CODICI

A=HIGH MOVING
B=MEDIUM MOVING
C=SLOW MOVING
NEW P. NUMBERS

A=HAUTE DEMANDE
B=MOYENNE DEMANDE
C=BASSE DEMANDE
NOUVELLES REFERENCES

A=GROBE NACHFRAGE
B=MITTELMAESSIGE
C=WENIGE NACHFRAGE
NEU CODEX



| Item | P/N McC | P/N ELX | Qty | DESCRIPTION |
|-----------------|----------------------------|-----------|-----|-------------------------------|
| FIGURE 5 | | | | |
| 1 | 242802 | 538242802 | 1 | crankcase |
| 2 | 227565 | 538227565 | 4 | screw M5x25 |
| 3 | FIGURE 8 | | | |
| A 4 | 92879 | 538092879 | 1 | spark plug RDJ8J |
| 5 | 242704 | 538242704 | 1 | engine cover |
| 6 | 241963 | 538241963 | 2 | screw M4x22 |
| 7 | 242037 | 538242037 | 2 | stud bolt |
| B 8 | 243273 | 538243273 | 1 | exhaust gasket |
| C 9 | 242131 | 538242131 | 1 | muffler |
| 10 | 323760 | 538323760 | 1 | muffler shield |
| 11 | 235642 | 538235642 | 2 | nut M5 |
| C 12 | 242994 | 538242994 | 2 | seal |
| C 13 | 241594 | 538241594 | 2 | ball bearing |
| 15 | 243486 | 538243486 | 1 | crankshaft assy |
| C 16 | • 235742 | 538235742 | 1 | needle bearing |
| 17 | 241784 | 538241784 | 1 | starter pawl assy |
| 18 | • 111088 | 538111088 | 1 | snap ring |
| 19 | • 241782 | 538241782 | 1 | spring |
| 20 | • 241781 | 538241781 | 1 | pawl |
| 21 | 235248 | 538235248 | 1 | nut |
| C 22 | 242041 | 538242041 | 1 | starter assy |
| 23 | • 240862 | 538240862 | 1 | screw M4x18 |
| 24 | • 241703 | 538241703 | 1 | washer |
| A 25 | • 241746 | 538241746 | 1 | rope |
| 26 | • 235612 | 538235612 | 1 | washer |
| 27 | • 241778 | 538241778 | 1 | handle |
| B 28 | • 241620 | 538241620 | 1 | pulley |
| B 29 | • 241619 | 538241619 | 1 | spring |
| 30 | 241963 | 538241963 | 3 | screw M4x20 |
| 31 | 242038 | 538242038 | 1 | tank grommet (crankcase side) |
| 32 | 242039 | 538242039 | 1 | tank grommet (starter side) |
| B 33 | 242484 | 538242484 | 1 | fuel tank cap assy |
| A 34 | • 236564 | 538236564 | 1 | gasket |
| C 35 | 242040 | 538242040 | 1 | fuel tank assy |
| B 36 | • 229717 | 538229717 | 1 | hose |
| B 37 | • 229743 | 538229743 | 1 | primer bulb hose |
| A 38 | 93720 | 538093720 | 1 | fuel pickup |
| 39 | 242703 | 538242703 | 1 | air filter cover |
| B 40 | 242035 | 538242035 | 1 | air filter |
| 41 | 235808 | 538235808 | 2 | screw 5x50 |
| 42 | 235248 | 538235248 | 1 | washer |
| 43 | 248485 | 538248485 | 1 | air box assy |
| 44 | • 241769 | 538241769 | 1 | choke lever |
| 45 | • 241622 | 538241622 | 1 | choke lever grommet |
| 46 | • 235822 | 538235822 | 1 | spring |
| 47 | • 241602 | 538241602 | 1 | choke shutter |
| 48 | • 227022 | 538227022 | 2 | bushing |
| C 49 | FIGURE 6 / FIGURE 7 | | | |
| A 50 | 241600 | 538241600 | 1 | carb. Gasket |
| 51 | 235806 | 538235806 | 2 | screw M5x20 |
| 52 | 235248 | 538235248 | 2 | washer |

| Item | P/N McC | P/N ELX | Qty | DESCRIPTION |
|------|----------|-----------|-----|---------------|
| B 53 | 241750 | 538241750 | 1 | carb. Spacer |
| B 54 | 242860 | 538242860 | 1 | intake gasket |
| 55 | 241607 | 538241607 | 1 | grommet |
| 56 | 243311 | 538243311 | 1 | flywheel |
| 57 | 241604 | 538241604 | 1 | dust shield |
| B 58 | 241793 | 538241793 | 1 | clutch assy |
| 59 | • 241789 | 538241789 | 1 | clutch hub |
| 60 | • 241743 | 538241743 | 2 | clutch shoe |
| A 61 | • 241794 | 538241794 | 2 | clutch spring |
| 62 | 236322 | 538236322 | 1 | grommet |
| C 63 | 243429 | 538243429 | 1 | ignition coil |
| 65 | 241606 | 538241606 | 1 | ground wire |
| 66 | 235248 | 538235248 | 2 | washer |
| 67 | 235806 | 538235806 | 2 | screw M5x20 |
| C 68 | 241725 | 538241725 | 1 | joint assy |
| 69 | • 235803 | 538235803 | 1 | screw M5x25 |
| 70 | • 235248 | 538235248 | 1 | washer |
| 71 | • 229524 | 538229524 | 1 | nut M5 |
| 72 | • 241785 | 538241785 | 1 | clutch drum |
| 73 | • 228260 | 538228260 | 1 | pin |
| 74 | 227568 | 538227568 | 4 | screw M4x20 |
| 75 | 236981 | 538236981 | 1 | screw 3,5x9,5 |

| FIGURE 6 WALBRO WT 686 | | | | |
|-------------------------------|-----------|-----------|--|----------------|
| C - | 242932 | 538242932 | | carb. |
| B 1 | • 324013 | 538324013 | | K20 rep. Kit |
| A 2 | •• 324009 | 538324009 | | D20 gasket kit |
| C 3 | • 225834 | 538225834 | | primer bulb |
| 4 | • 224466 | 538224466 | | swivel kit |

| FIGURE 7 ZAMA C1Q M38 | | | | |
|------------------------------|-----------|-----------|--|------------------|
| C - | - | - | | carb. |
| B 1 | • 300465 | 538300465 | | RB-28 rep.kit |
| A 2 | •• 300473 | 538300473 | | diaph/gasket kit |
| C 3 | • 246946 | 538246946 | | primer bulb |

| FIGURE 8 cylinder,piston 25cc | | | | |
|--------------------------------------|----------|-----------|---|-------------|
| C 1 | 242803 | 538242803 | 1 | cylinder |
| C 2 | 248177 | 538248177 | 1 | piston kit |
| B 3 | • 240002 | 538240002 | 1 | piston ring |
| 4 | • 235008 | 538235008 | 2 | snap ring |
| 5 | • 241735 | 538241735 | 1 | piston pin |

| FIGURE 8 cylinder, piston 29cc | | | | |
|---------------------------------------|----------|-----------|---|-------------|
| C 1 | 243076 | 538243076 | 1 | cylinder |
| C 2 | 249179 | 538249179 | 1 | piston kit |
| B 3 | • 242602 | 538242602 | 1 | piston ring |
| 4 | • 235008 | 538235008 | 2 | snap ring |
| 5 | • 241735 | 538241735 | 1 | piston pin |

| | | | |
|-------------------|-----------------|----------------------|--------------------|
| A=ALTA ROTAZIONE | A=HIGH MOVING | A=HAUTE DEMANDE | A=GROBE NACHFRAGE |
| B=MEDIA ROTAZIONE | B=MEDIUM MOVING | B=MOYENNE DEMANDE | B=MITTELMAESSIGE |
| C=ALTA ROTAZIONE | C=SLOW MOVING | C=BASSE DEMANDE | C=WENIGE NACHFRAGE |
| NUOVI CODICI | NEW P. NUMBERS | NOUVELLES REFERENCES | NEU CODEX |

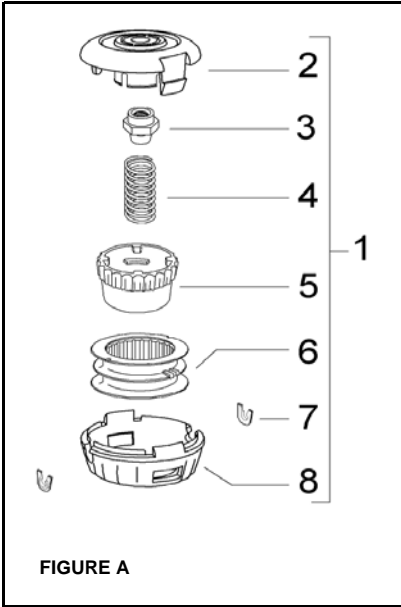


FIGURE A

| | | | | | |
|---|---|-------------|-----------|---|---------------------|
| A | 1 | 531025001 | 531025001 | 1 | P 25 trimmer head |
| | 2 | • 537419302 | 537419302 | 1 | body |
| | 3 | • 537338901 | 537338901 | 1 | adapter T25 |
| C | 4 | • 537338801 | 537338801 | 1 | spring T25 |
| C | 5 | • 537419601 | 537419601 | 1 | knob |
| C | 6 | • 537419501 | 537419501 | 1 | spool whithout line |
| C | 7 | • 537419701 | 537419701 | 2 | bushing |
| | 8 | • 537419401 | 537419401 | 1 | cover |

A=ALTA ROTAZIONE
 B=MEDIA ROTAZIONE
 C=ALTA ROTAZIONE

A=HIGH MOVING
 B=MEDIUM MOVING
 C=SLOW MOVING

A=HAUTE DEMANDE
 B=MOYENNE DEMANDE
 C=BASSE DEMANDE

A=GROBE NACHFRAGE
 B=MITTELMAESSIGE
 C=WENIGE NACHFRAGE

NUOVI CODICI

NEW P. NUMBERS

NOUVELLES REFERENCES

NEU CODEX