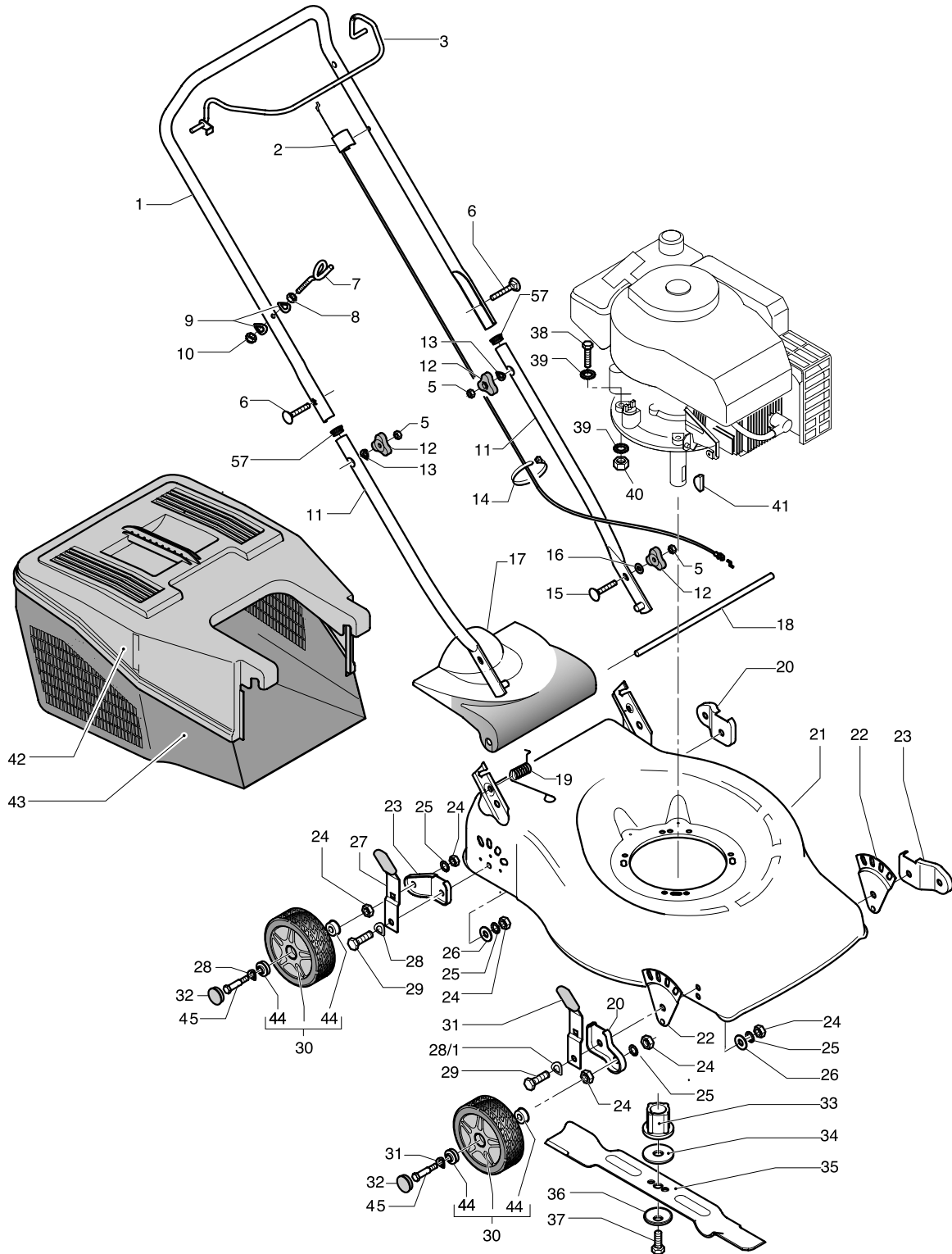


| PNC | Type/Prefix/nd | Model | Brand |
|-----------|----------------|--------------|------------|
| 953878098 | | TITANIUM 46S | MC CULLOCH |

Number of Pages 1 of 3

| | | |
|---------------------------------|---------------------------|------------------------------|
| Factory: ILY - Parabiago | | Product Group: ON 107 |
| Publication Number: | EIPL2005_PP0505001 | Petrol Wheeled |
| Publication Date: | 17/05/05 | Sub Group: 1073 |



| Pos. | PN ELX | MEP P/n° | DESCRIPTION | Q.ty | Pos. | PN ELX | MEP P/n° | DESCRIPTION | Q.ty |
|------|-----------|-----------|---------------|------|------|-----------|----------|--------------|------|
| 1 | 531205204 | 10121743 | UPPER HANDLE | 1 | 35 | 531211017 | 10172770 | BLADE | 1 |
| 2 | 531206026 | 10146620 | CABLE | 1 | 36 | 531207237 | 10530900 | WASHER | 1 |
| 3 | 531211429 | 10121461 | LEVER | 1 | 37 | 531208008 | 20120580 | SCREW | 1 |
| 6 | 531207089 | 10402401 | SCREW | 2 | 38 | 531205196 | 10121700 | SCREW | 3 |
| 7 | 531205169 | 10121470 | CABLE HOOK | 1 | 39 | 531207981 | 20106200 | WASHER | 6 |
| 8 | 531207165 | 10501200 | NUT | 1 | 40 | 531207982 | 20106300 | NUT | 7 |
| 9 | 531204961 | 10115900 | WASHER | 2 | 41 | 531204907 | 10100900 | KEY | 1 |
| 10 | 531208491 | 20281800 | NUT | 1 | 42 | 531208296 | 20146113 | GRASS COVER | 1 |
| 11 | 531206071 | 10150133 | HANDLE LOWERE | 2 | 43 | 531208313 | 20146593 | G.CAT.BOTTOM | 1 |
| 12 | 531204923 | 10114303 | KNOB | 4 | 44 | 531205214 | 10121900 | BALL-BEARING | 8 |
| 13 | 531207090 | 10402402 | WASHER | 2 | 45 | 531205042 | 10120090 | SCREW | 4 |
| 14 | 531205581 | 10135600 | CLAMP | 1 | 57 | 531208950 | 20833303 | PLUG | 2 |
| 15 | 531204921 | 10114100 | SCREW | 2 | | | | | |
| 16 | 531204922 | 10114200 | WASHER | 2 | | | | | |
| 17 | 531212646 | 10173511 | DEFLECTOR | 1 | | | | | |
| 18 | 531205060 | 10120530 | TIE ROD | 1 | | | | | |
| 19 | 531205999 | 10146330 | SPRING | 1 | | | | | |
| 20 | 531212458 | 201073ZC1 | WHEEL BEARING | 2 | | | | | |
| 21 | 531212430 | 1018500E | DECK | 1 | | | | | |
| 22 | 531212987 | 1014689ZC | BEARING | 2 | | | | | |
| 23 | 531212459 | 201073ZC2 | WHEEL BEARING | 2 | | | | | |
| 24 | 531207978 | 20101700 | NUT | 12 | | | | | |
| 25 | 531208974 | 30102100 | WASHER | 8 | | | | | |
| 26 | 531207989 | 20113000 | WASHER | 4 | | | | | |
| 27 | 531212457 | 2010720ZC | LEVER | 4 | | | | | |
| 28 | 531206020 | 10146530 | WASHER | 2 | | | | | |
| 28-1 | 531206643 | 10272500 | WASHER | 2 | | | | | |
| 29 | 531204912 | 10107100 | SCREW | 4 | | | | | |
| 30 | 531210703 | 9175111 | WHEEL | 4 | | | | | |
| 31 | 531207986 | 20107203 | SHEATING | 4 | | | | | |
| 32 | 531210538 | 10114801 | PLUG | 4 | | | | | |
| 33 | 531207242 | 10531600 | BEARING BLADE | 1 | | | | | |
| 34 | 531207243 | 10531700 | WASHER | 1 | | | | | |