

ELECTROLUX OUTDOOR PRODUCTS

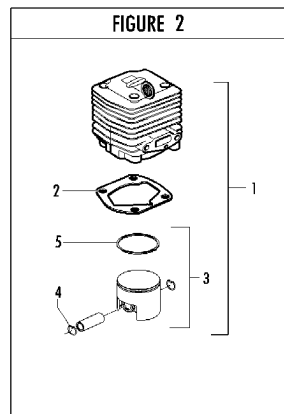
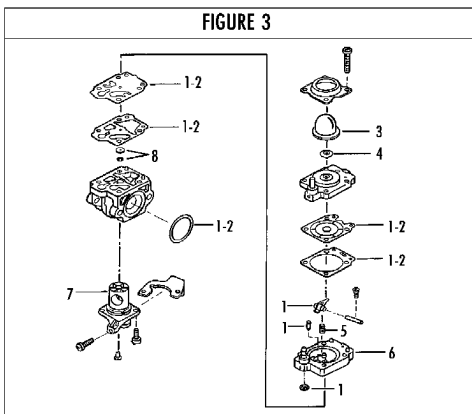
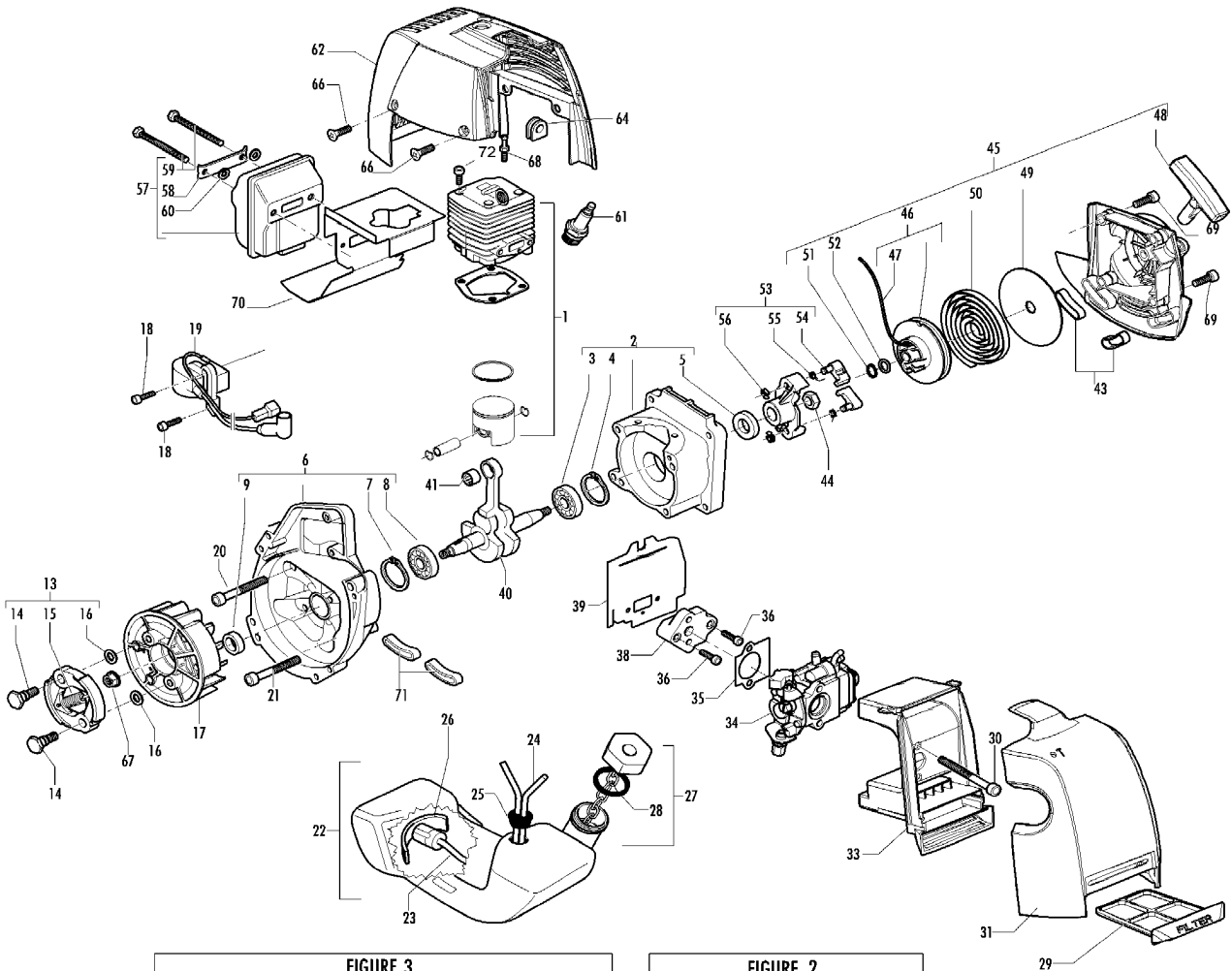
PNC	Type/Prefix/nd	Model	Brand
953900515 953900579	02-03	ELITE 4330X PRO	McCULLOCH
953900516 953900550 953900580	02-03	ELITE 4730X PRO	McCULLOCH
953900518 953900549	02-03	B 422X B 422X TNG (with TNG string head)	PARTNER PARTNER
953900519	02-03	B 472X	PARTNER

Number of Pages 1 of 5

Factory: IIQ - Valmadrera	Product Group: OP 93
Publication Number: EIPL2004_VP0409001	Petrol Portable
Publication Date: 01/09/04	Sub Group 9433

Service

FIGURE 1



Item	P/N McC	P/N ELX	Qty	DESCRIPTION
FIGURE 1				
C	1	FIGURE 2		
	2	247936	1	Carter kit (starter)
	3	• 235900	1	ball bearing 6002 15/32/9
	4	• 235899	1	seeger ring
C	5	• 228872	1	seal 13-32-5 (S7)
	6	247935	1	Carter kit (flywheel)
	7	• 235899	1	seeger ring
	8	• 235900	1	ball bearing 6002 15/32/9
C	9	• 228872	1	seal 13-32-5 (S7)
B	13	248808	1	clutch assy
	14	• 242369	2	clutch rod
C	15	• 241270	1	clutch spring elite
	16	• 236956	2	washer
	17	242673	1	flywheel
	18	235806	2	screw M5 X 20 TCE
C	19	242783	1	ignition coil
	20	235808	2	screw M5 X 50 TCE
	21	235804	2	screw M5x30
C	22	241541	1	tank mix ass.
B	23	• 229809	1	hose-fuel mm245
B	24	• 229743	1	hose fuel mm150
C	25	• 235675	1	fuel tank grommet
A	26	240452	1	fuel pick up
B	27	242484	1	fuel cap ass'y
A	28	• 236564	1	cap gasket
B	29	242581	1	air filter
	30	235808	2	screw M5 X 50 TCE
	31	242580	1	air filter cover
	33	249136	1	box air filter
C	34	FIGURE 3		
A	35	241281	1	gasket
	36	235806	2	screw M5 X 20 TCE
C	38	241481	1	carb. Spacer
C	39	242855	1	gasket
	40	241267	1	crankshaft ass'y
C	41	227329	1	bearing-needle
	43	242632	2	fuel tank grommet
	44	235218	1	nut M8
C	45	242806	1	starter assy
B	46	• 249163	1	pulley/rope
A	47	• 227703	1	rope
	48	• 240884	1	starter-handle
	49	• 227467	1	shield spring
B	50	• 227300	1	spring rewind
	51	• 242786	1	seeger
	52	• 227470	1	washer
	53	242800	1	starter pawl ass'y
B	54	• 241781	2	pawl
B	55	• 241782	2	spring
	56	• 111088	2	snap ring
C	57	241432	1	muffler ass'y elite
	58	• 227236	1	clamp
	59	• 227274	2	screw M5X60
	60	• 227259	2	washer
A	61	92878	1	spark plug RDJ6J
	62	249420	1	engine cover

Item	P/N McC	P/N ELX	Qty	DESCRIPTION
	64	236322	1	grommet
	66	240688	2	screw m5x14 + washer
	67	235218	1	nut m8
	68	94273	1	valve-comp release
	69	235214	4	screw M6x20
C	70	242854	1	gasket
	71	241248	2	fuel tank grommet (flywheel)
	72	227565	4	screw M5X25

FIGURE 2				42cc
C	1	249164	1	cylind/pist Kit 42 cc
B	2	• 242366	1	cil. gasket
B	3	• 248807	1	piston kit 42 cc
	4	• 229544	2	retaining ring
B	5	• 240085	1	piston ring 42cc.

FIGURE 2				46cc
C	1	247934	1	cylind/pist Kit 46 cc
B	2	• 241431	1	cil. gasket
B	3	• 247258	1	piston kit 46 cc
	4	• 229544	2	retaining ring
B	5	• 240353	1	piston ring 46cc.

FIGURE 3				WALBRO WYJ 183A
C	-	241268	1	carburettor WYJ 183A
B	1	• 247955	1	repair kit K20 WYJ
A	2	• 247956	1	gasket kit D20 WYJ
C	3	• 225834	1	primer
C	4	• 247957	1	valve
C	5	• 247958	1	spring
C	6	• 247962	1	pumping body
C	7	• 247961	1	valve
C	8	• 247959	1	jet

A=ALTA ROTAZIONE
B=MEDIA ROTAZIONE
C=ALTA ROTAZIONE

A=HIGH MOVING
B=MEDIUM MOVING
C=SLOW MOVING

A=HAUTE DEMANDE
B=MOYENNE DEMANDE
C=BASSE DEMANDE

A=GROBE NACHFRAGE
B=MITTELMAESSIGE
C=WENIGE NACHFRAGE

NUOVI CODICI

NEW P. NUMBERS

NOUVELLES REFERENCES

NEU CODEX

FIGURE 4

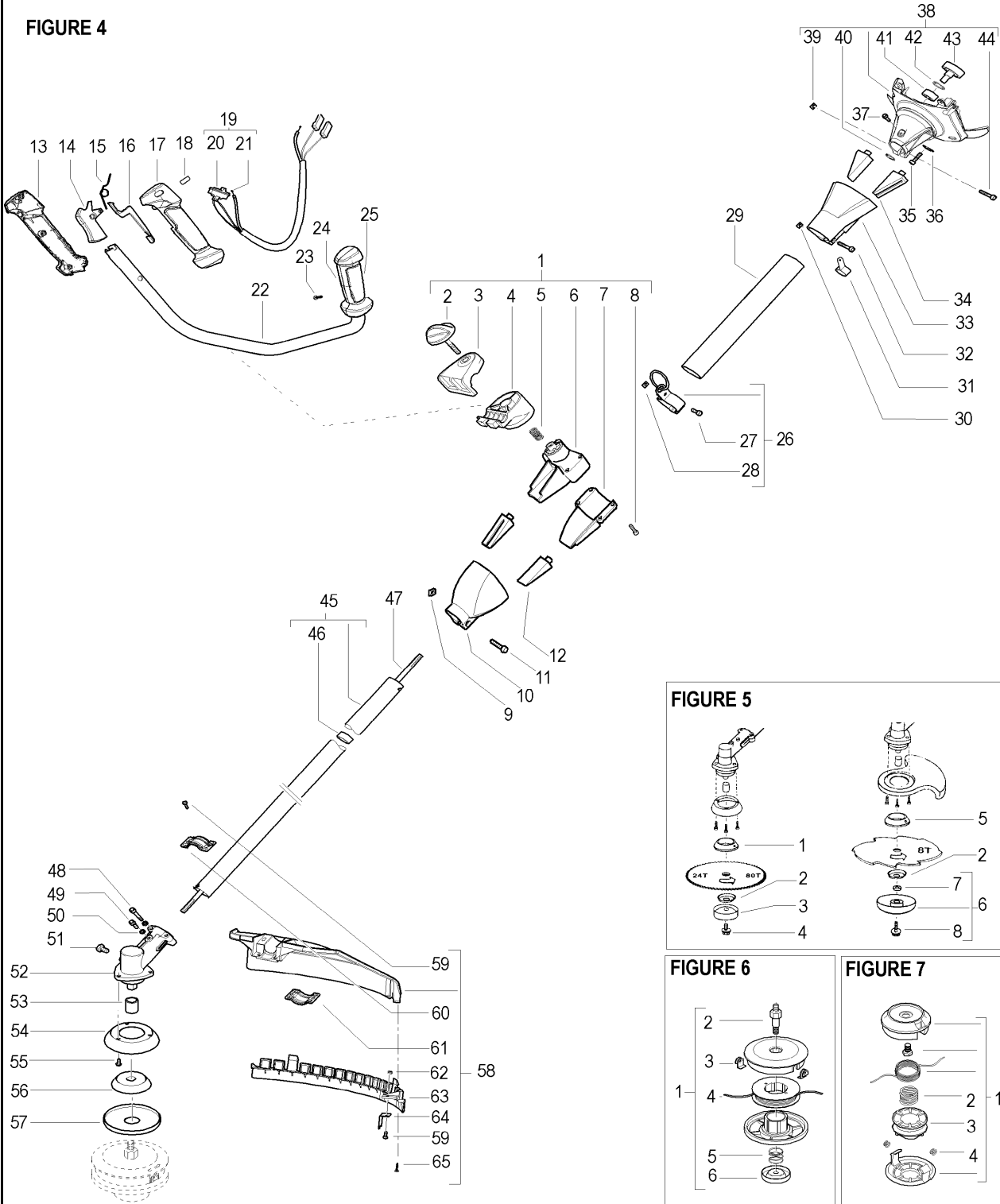


FIGURE 5

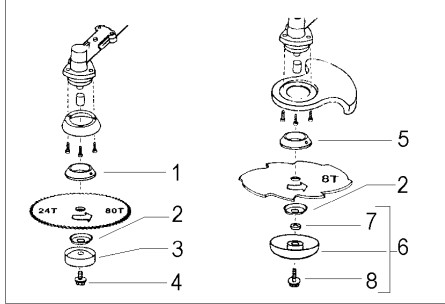


FIGURE 6

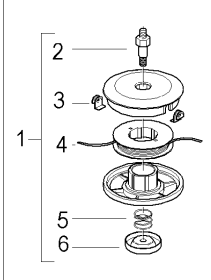
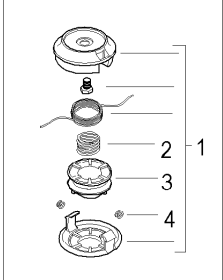


FIGURE 7



Item	P/N McC	P/N ELX	Qty	DESCRIPTION
------	---------	---------	-----	-------------

Item	P/N McC	P/N ELX	Qty	DESCRIPTION
------	---------	---------	-----	-------------

FIGURE 4

1	243066	538243066	1	clamp ass'y
2	• 242917	538242917	1	knob
3	• 242898	538242898	1	handle clamp (upper half)
4	• 242897	538242897	1	handle clamp (lower half)
5	• 242901	538242901	1	spring
6	• 243123	538243123	1	shaft clamp (upper half)
7	• 242199	538242199	1	shaft clamp (lower half)
8	• 235803	538235803	4	screw m5x25
9	236642	538236642	1	nut m6
10	242202	538242202	1	clamp
11	235910	538235910	1	screw 6x25
12	242196	538242196	2	antivibration
13	242533	538242533	1	right handle (right half)
14	242537	538242537	1	throttle trigger
15	242540	538242540	1	spring
16	242538	538242538	1	safety trigger
17	242534	538242534	1	right handle (left half)
18	242648	538242648	1	cap
C 19	242607	538242607	1	wires ass'y
C 20	• 242439	538242439	1	switch
C 21	• 243061	538243061	1	throttle cable
22	249249	538249249	1	handle bar
23	240862	538240862	5	screw 4x18 - self threading
24	242535	538242535	1	left handle (right half)
25	242536	538242536	1	left handle (left half)
26	228011	538228011	1	harness ring ass'y
27	• 235911	538235911	1	screw m6x12
28	• 236642	538236642	1	nut m6
29	242726	538242726	1	outer shaft
30	236642	538236642	1	nut m6
31	241480	538241480	1	wires fastener
32	235910	538235910	1	screw m6x25
33	242197	538242197	1	joint cover
34	242196	538242196	2	antivibration
35	235804	538235804	4	screw m5x30
36	228139	538228139	1	male fast-on
37	240688	538240688	1	screw m5x14 + washer
38	242626	538242626	1	joint ass'y
39	• 236642	538236642	1	nut m6
40	• 236378	538236378	1	seeger D. 15
41	• 235918	538235918	1	ball bearing
42	• 235899	538235899	1	seeger D. 32
43	• 227284	538227284	1	clutch drum
44	• 235910	538235910	1	screw m6x25
45	240830	538240830	1	inner shaft ass'y
46	• 236383	538236383	5	bushing ass'y
47	229829	538229829	1	drive shaft
48	235804	538235804	2	screw m5x30

49	236381	538236381	1	screw m5x10
50	236529	538236529	3	grower
51	240151	538240151	1	screw M8x10
52	240824	538240824	1	gear box ass'y
53	247272	538247272	1	spacer
54	240767	538240767	1	flange guard
55	240688	538240688	3	screw+washer
56	242410	538242410	1	flange
57	241155	538241155	1	string head shield
A 58	248960	538248960	1	safety guard ass'y
59	• 227563	538227563	4	screw M5x18
60	• 242636	538242636	1	clamp (upper half)
61	• 242752	538242752	1	clamp (lower half)
62	• 229208	538229208	2	nut m5
63	• 242630	538242630	1	string head guard extension
64	• 241973	538241973	1	line cutter
65	• 240862	538240862	1	screw 4x18 - self threading

FIGURE 5

A 1	240936	538240936	1	flange
A 2	229834	538229834	1	flange
A 3	236596	538236596	1	hub
A 4	229842	538229842	1	screw m10x16
A 5	242410	538242410	1	flange
A 6	240809	538040809	1	idle cup ass'y
7	• 240807	538240807	1	spacer
A 8	• 240806	538240806	1	rod

FIGURE 6

A 1	538242506	538242506	1	string head ass'y
2	• 240850	538240850	1	rod m10
3	• 241154	538241154	2	eyelet
4	• 538248990	538248990	1	spool+line
5	• 240852	538240852	1	spring
6	• 241153	538241153	1	nut

FIGURE 7

A 1	538249344	538249344	1	TNG string head ass'y
C 2	• 249371	538249371	1	spring
C 3	• 249373	538249373	1	reel
C 4	• 249372	538249372	2	eyelet

A=ALTA ROTAZIONE
B=MEDIA ROTAZIONE
C=ALTA ROTAZIONE
NUOVI CODICI

A=HIGH MOVING
B=MEDIUM MOVING
C=SLOW MOVING
NEW P. NUMBERS

A=HAUTE DEMANDE
B=MOYENNE DEMANDE
C=BASSE DEMANDE
NOUVELLES REFERENCES

A=GROBE NACHFRAGE
B=MITTELMAESSIGE
C=WENIGE NACHFRAGE
NEU CODEX

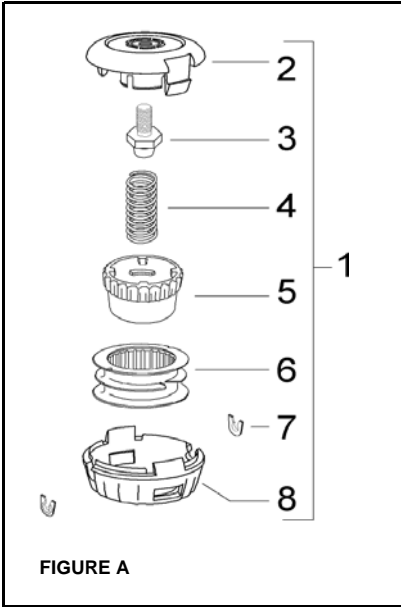


FIGURE A

A	1	531025002	531025002	1	P 35 trimmer head
	2	• 537421501	537421501	1	body
	3	• 537427901	537427901	1	adapter P35
C	4	• 537186001	537186001	1	spring T35
C	5	• 537421801	537421801	1	knob
C	6	• 537421701	537421701	1	spool
C	7	• 537419701	537419701	2	bushing
	8	• 537421601	537421601	1	cover

A=ALTA ROTAZIONE
 B=MEDIA ROTAZIONE
 C=ALTA ROTAZIONE

A=HIGH MOVING
 B=MEDIUM MOVING
 C=SLOW MOVING

A=HAUTE DEMANDE
 B=MOYENNE DEMANDE
 C=BASSE DEMANDE

A=GROBE NACHFRAGE
 B=MITTELMAESSIGE
 C=WENIGE NACHFRAGE

NUOVI CODICI

NEW P. NUMBERS

NOUVELLES REFERENCES

NEU CODEX