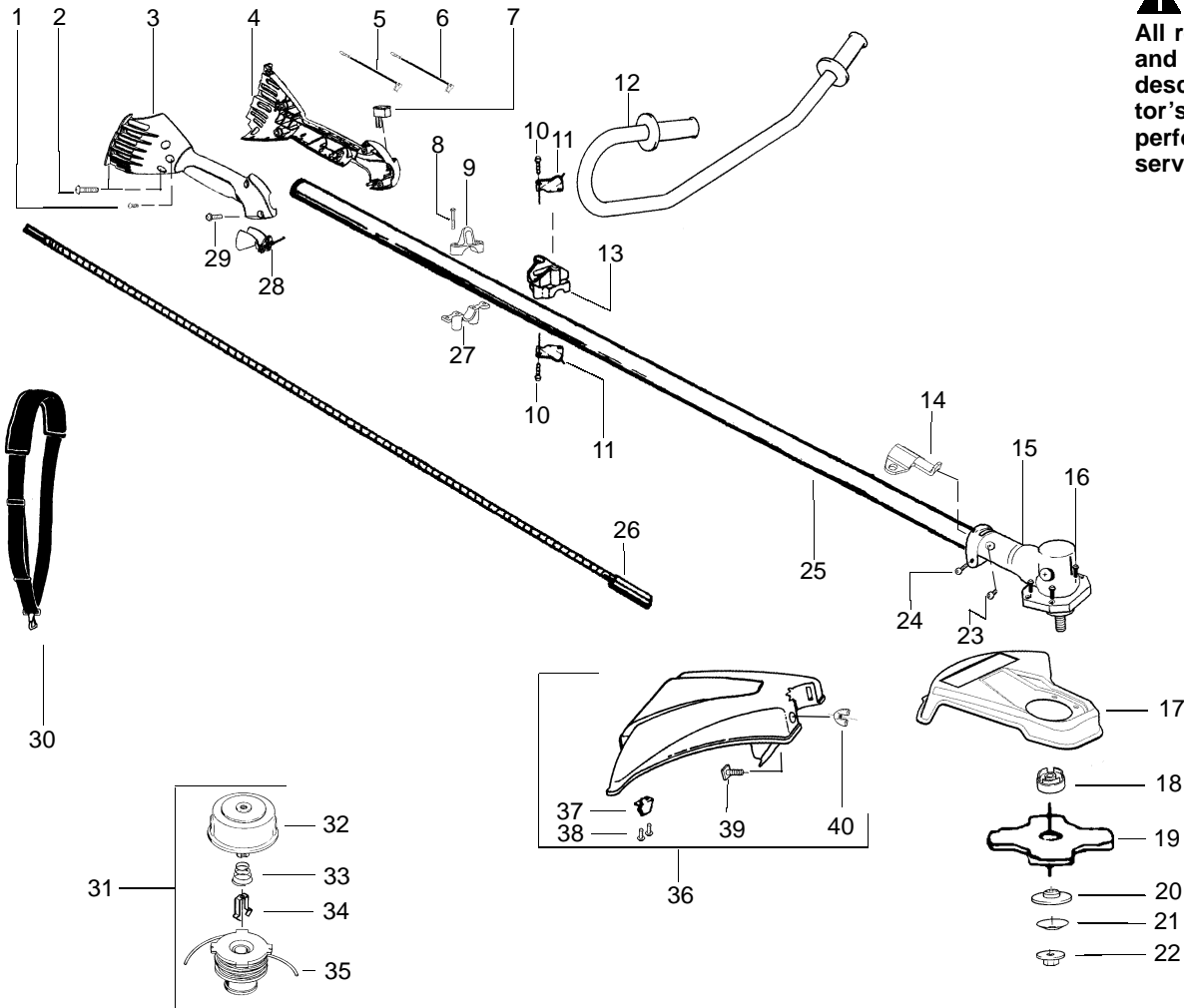


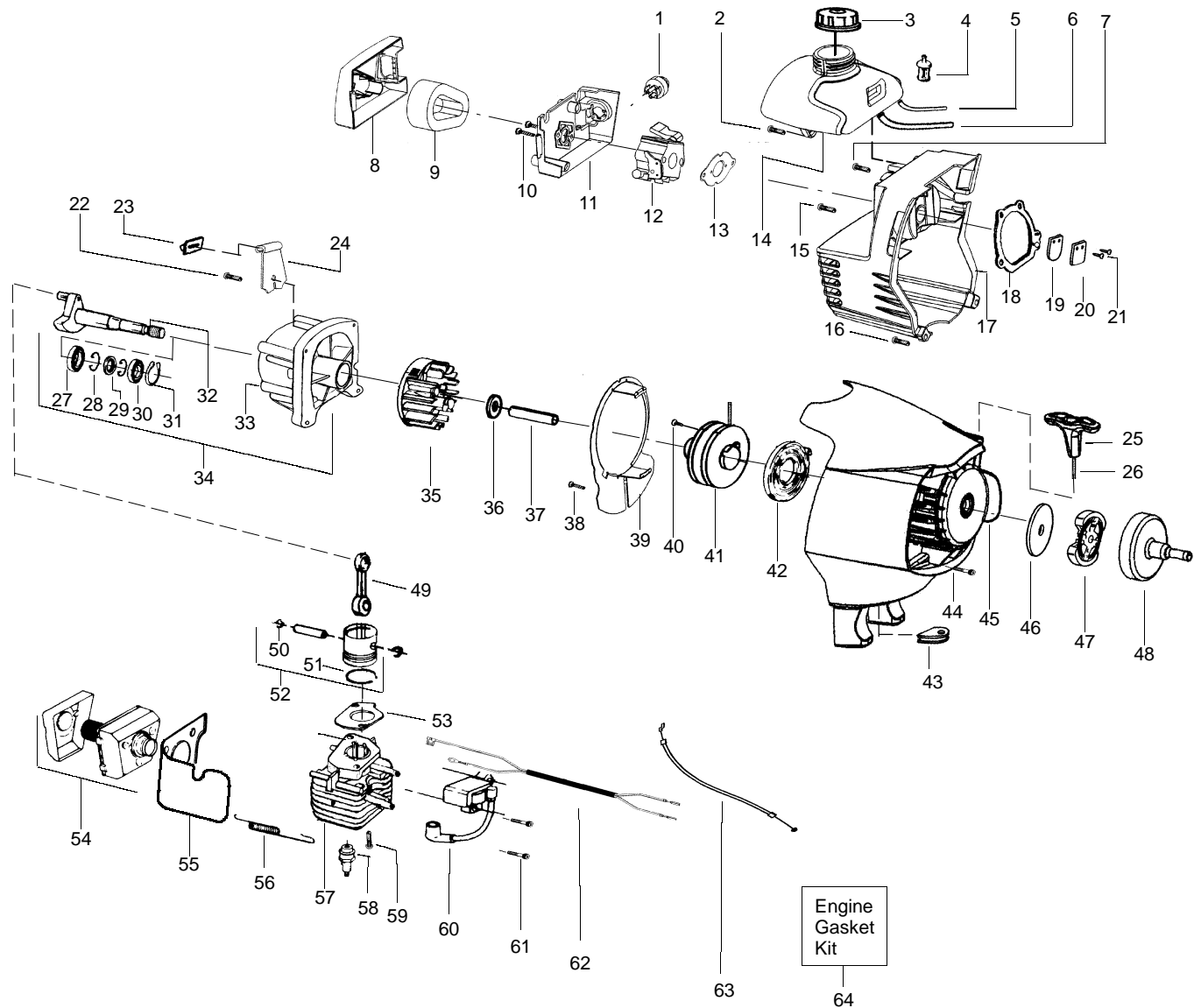
⚠ WARNING
All repairs, adjustments and maintenance not described in the Operator's Manual must be performed by qualified service personnel.



Ref.	Part No.	Description	Ref.	Part No.	Description	Ref.	Part No.	Description
1.	530015805	Screw-Alignment	20.	530095816	Washer	39.	530015820	Bolt
2.	530015886	Screw	21.	530016240	Washer-Belleville	40.	530016118	Wingnut
3.	530054837	Hsg.-Throttle (right)	22.	530015793	Nut-Flange			
4.	530071553	Hsg.-Throttle (left)	23.	530016371	Screw			
5.	530054943	Assy-Front Wire	24.	530016014	Screw			
6.	530055724	Assy-Front Wire (Upper)	25.	530071532	Assy.-Driveshaft			
7.	530071356	Kit-Switch	26.	530095938	Shaft-Flex Drive			
8.	530015770	Screw	27.	530055394	Clamp-Harness (lower)			
9.	530055392	Clamp-Harness (upper)	28.	530056236	Assy-Trigger			
10.	530015791	Screw	29.	530015886	Screw			
11.	530094572	Bracket-Handlebar	30.	530092085	Shoulder Strap			
12.	530096011	Assy.-Handlebar (incl. grip, decal)	31.	530053244	Assy.-Head TNG VI (incl. 32-35)			Not Shown
13.	530012207	Clamp-Handlebar	32.	530095772	Assy.-Hub/Arbor			
14.	530095812	Bracket-Shield	33.	530053241	Spring			
15.	530071585	Kit-Gearbox	34.	530401957	Retainer			
16.	530016312	Screw	35.	530071555	Kit-Spool TNG VI			
17.	530071531	Kit-Metal Shield	36.	530069779	Kit-Shield Assy. (incl. 37-40)			
18.	530095815	Dust cup	37.	530052285	Limiters-Line			
19.	530054865	Assy.-Weedblade	38.	530015805	Screw			
								Operator Manual (Scan) (Euro)
							530163115	Decal-Shaft Warning
							530056194	Decal-Handlebar
							530053690	Decal-Blade Direction
							530029064	

✓ = NEW PART NUMBER FOR THIS IPL

* = REFER TO THE SERVICE REFERENCE INDICATED FOR MORE INFORMATION. (LOCATED AT END OF IPL)

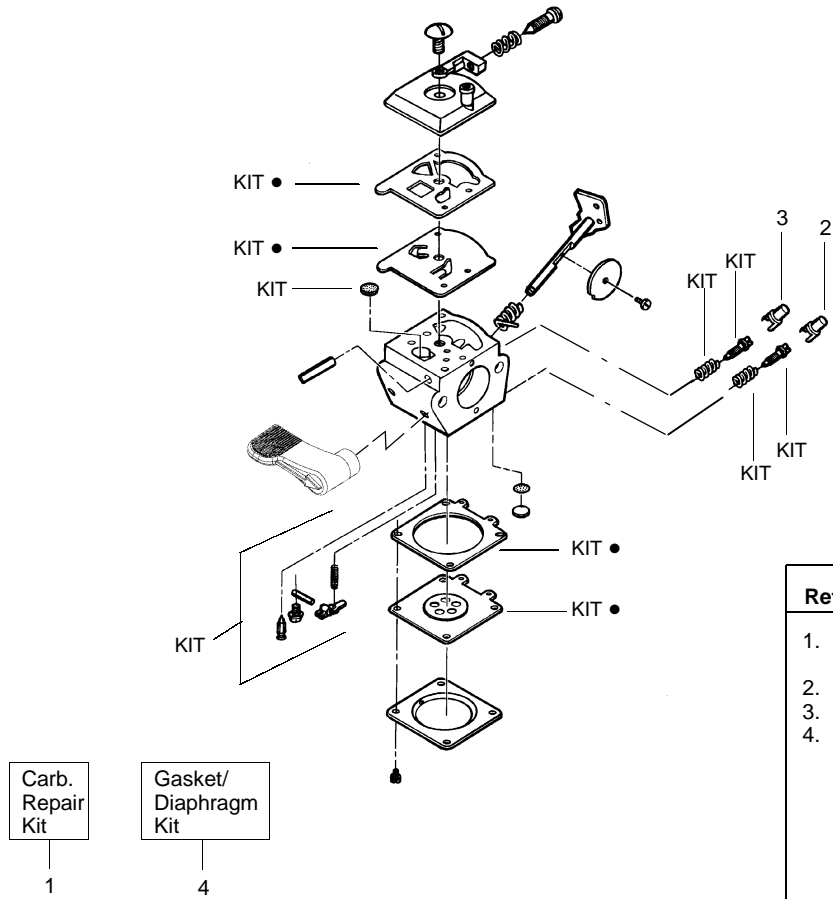


Ref.	Part No.	Description	Ref.	Part No.	Description	Ref.	Part No.	Description
1.	530047721	Bulb-purge	23.	530055492	Isolator-fuel tank	44.	530015810	Screw-F/hsg
2.	530015843	Screw-tank	24.	530054941	Ret.-fuel tank	45.	530056228	Housing-Fan w/eyelet
3.	530049386	Assy-Fuel cap	25.	530054834	Handle-starter	46.	530094189	Washer-Clutch
4.	530095646	Assy-Fuel pick-up	26.	530071400	Kit-Rope	47.	530055122	Assy.-Clutch
5.	530071404	Kit-Fuel line	27.	530032103	Bearing-inner	48.	530028799	Assy-Drum
6.	530069216	Kit-Fuel/Purge line	28.	530015787	Retainer	49.	530010960	Assy-Connecting rod
7.	530015775	Screw	29.	530019158	Seal	50.	530015162	Retainer-piston pin
8.	530054935	Cover-Air box	30.	530032102	Bearing-outer	51.	530025875	Ring-Piston
9.	530054946	Filter-Air	31.	530015789	Retainer-crankshaft	52.	530069275	Kit-Piston
10.	530015849	Screw-carb.	32.	530054948	Assy-crankshaft	53.	530071401	Gasket-Cylinder (kit)
11.	530054934	Air Box	33.	530014016	Assy-crankcase	54.	530069310	Kit-Muffler
12.	530071565	Assy-carb.(wt619)	34.	530055372	Assy-c'case/c' shaft (incl. 27-31,32,33)	55.	530053346	Heat shield/air dam
13.	530071401	Gasket-Carb. (kit)	35.	530071402	Kit-Flywheel Assy.	56.	530036409	Spring-muffler
14.	530055317	Assy-Fuel tank	36.	530016030	Washer	57.	530071582	Kit-Cylinder
15.	530015771	Screw-crankcase	37.	530055620	Spacer	58.	Champion	Spark plug (RCJ-6Y)
16.	530015952	Screw-shrd to f/hsg.	38.	530015775	Screw-baffle	59.	530001624	Bolt-Cylinder
17.	530056044	Shroud	39.	530056864	Plate-baffle	60.	530039217	Module-Ignition
18.	530071401	Gasket-c/case (kit)	40.	530016326	Screw-rope	61.	530016357	Screw-module
19.	530027593	Valve-reed	41.	530071399	Kit-pulley (incl. #40)	62.	530057238	Assy-Rear wire
20.	530054596	Stop-reed	42.	530042086	Spring-starter	63.	530054942	Assy-Throttle Cable
21.	530016064	Screw-reed valve	43.	530019182	Grommet	64.	530071401	Kit-Gasket
22.	530015875	Screw-tank retainer						

➤ = NEW PART NUMBER FOR THIS IPL

* = REFER TO THE SERVICE REFERENCE INDICATED FOR MORE INFORMATION. (LOCATED AT END OF IPL)

Kit - Carburetor Assembly No. 530071565 - WT619



Ref.	Part No.	Description
1.	530069824	Carburetor Repair Kit (KIT= Indicates Contents)
2.	530038478	Limiter Cap -Low (tan)
3.	530038479	Limiter Cap-High (brown)
4.	530069844	Gasket/Diaphragm Kit (●=Indicates Contents)

✓ = NEW PART NUMBER FOR THIS IPL ★ = REFER TO THE SERVICE REFERENCE INDICATED FOR MORE INFORMATION. (LOCATED AT END OF IPL)
 ● = THESE PARTS ARE ILLUSTRATED FOR CLARITY. ORDER COMPLETE ASSEMBLY.