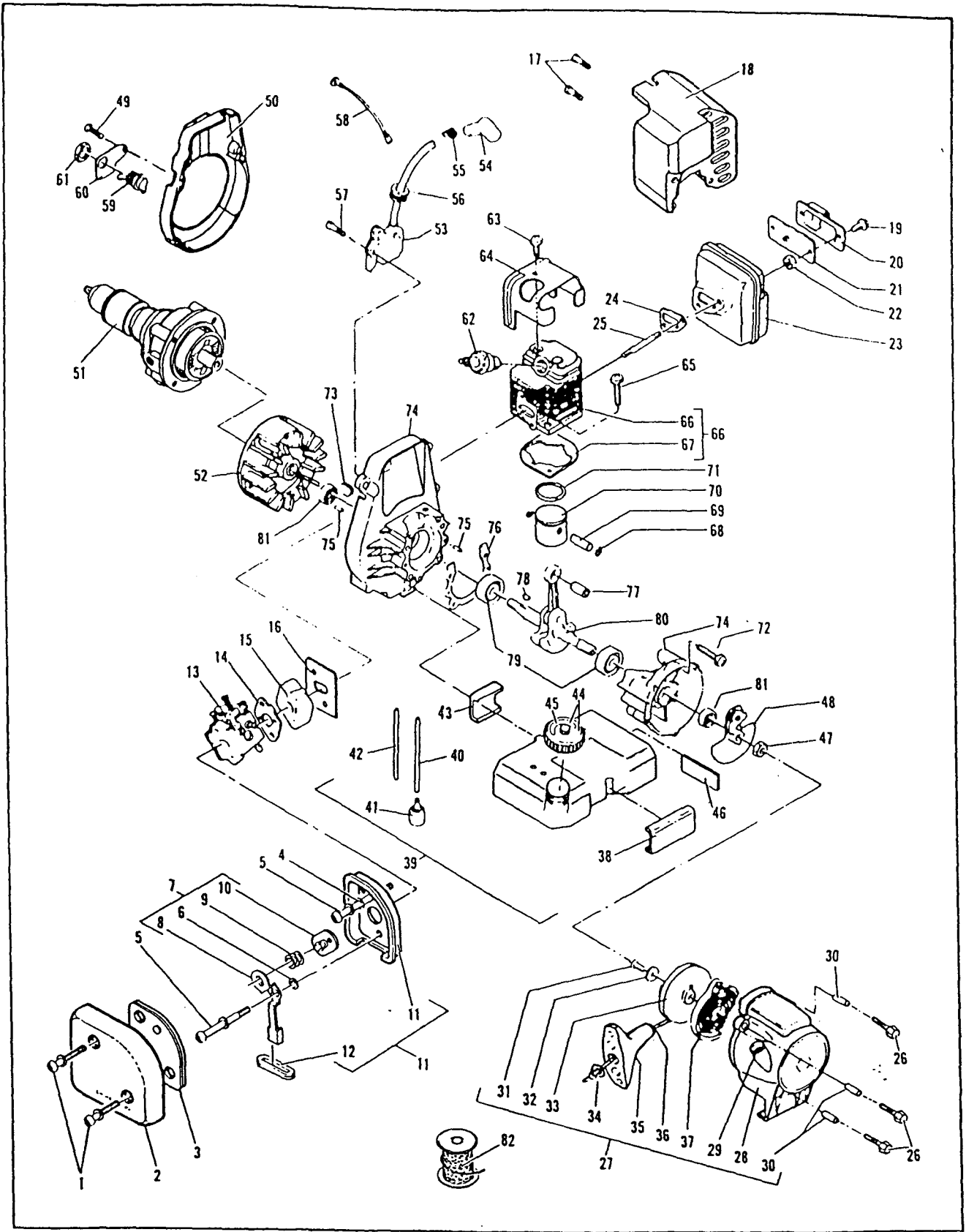


FIGURE 1 ENGINE ASSEMBLY

TITAN DRILL



2

FIGURE 1 ENGINE ASSEMBLY

ITEM NO.	STK. CODE	PART NUMBER	DESCRIPTION	UNITS PER ASY.
1	A	217669	Screw-Pn M4x25 Torx	2
2	C	223118	Cover-Air Cleaner/Grey	1
3	A	217376	Filter Asy Air	1
4	A	216591	Washer-Flat M5	2
5	B	216903	① Screw-Pn M5x55 Torx SE	2
	B	224326	② Screw-Pn M5x55 Torx SS	2
6	A	215993	Spacer	1
7	B	223730	Kit-Choke Asy	1
8	-	-	Shutter-Choke Lever	1
9	B	219016	Spring-Shutter	1
10	-	-	Shutter	1
11	A	216108	Air Box/Grommet Asy	1
12	A	215992	Grommet-Choke	1
13	-	Fig. 384	Carburetors	1
14	A	218933	① Gasket-Spacer	1
	A	224148	② Gasket-Spacer	1
15	A	219070	① Insulator-Carburetor	1
	B	223984	② Insulator-S/T	1
16	A	216575	① Gasket/Shield-Insulator	1
	B	223986	② Gasket/Shield-Insulator	1
17	A	215874	Screw-Pn M4x9.5 Torx	2
18	C	223119	Shield-Muffler/Gray	1
19	A	216025	Screw-Pn M4x8 Torx Sem	2
20	B	217318	Cover-Screen	1
21	B	215516	Screen-Arrestor	1
22	A	222247	Nut-Stud	2
23	B	215506	Muffler Assembly	1
24	A	215515	Gasket-Muffler	1
25	A	222480	Stud-Muffler	2
26	A	217669	Screw-Pn M4x25 Torx	3
27	B	224411	Starter Assembly	1
28	B	224110	Housing Starter	1
29	A	218932	Guide-Rope	1
30	A	219585	Spacer-Starter Hsg	3
31	A	215874	Screw-Pn M4x9.5	1
32	B	216590	Washer Flat M4	1
33	A	216092	Drum-Rope Assembly	1
34	A	216093	Rope-Starter 36"	1
35	A	218792	Handle-Starter	1
36	A	218941	Washer-Nylon	1
37	A	300474	Pkg. Spring, Starter Rewind	1
38	A	217382	Cushion-Fuel Tank	1
39	A	222239	Tank Assembly-Fuel	1
40	A	217264	Hose-Fuel	1
41	A	216985	Pickup-Fuel	1
42	A	222238	Hose-Fuel Return	1

ITEM NO.	STK. CODE	PART NUMBER	DESCRIPTION	UNITS PER ASY.
43	A	217390	Cushion-Fuel Tank	1
44	A	300700	Kit, Cap-Fuel	1
45	C	211242	Decal (OPEN SLOWLY)	1
46	C	322100	Decal-Storage	1
47	B	216583	Nut-Hex M8	1
48	A	215525	Ratchet Assembly	1
49	C	213177	Screw-Pn M4.2x18.5	4
50	C	223688	Housing-Fan	1
51	-	FIG 2	General Assembly	1
52	B	222308	Flywheel	1
53	A	219848	Ignition Assy (Cream Colored)	1
54	A	95266	Boot Spark Plug	1
55	A	102556	Connector-Spark	1
56	B	215533-01	Grommet H/T Lead	1
57	A	216022	Screw-Pn M4x 23.4 Torx	2
58	C	219383	Wire Assembly Switch	1
59	B	217648	Switch-Toggle	1
60	B	217381	Plate-Switch	1
61	C	219917	Nut-Hex 15/32	1
62	A	62345	Spark Plug	1
63	B	213178	Screw-Pn M5x8.5 SEMS	1
64	B	215540	Cover-Cylinder	1
65	B	217320	Screw-Pn M6x18 Torx	2
66	B	219084-01	① Kit Cyl(Pltd Brgd)/Gasket	1
	C	224448	② Kit Cylinder/Gasket Kit	1
67	A	215542	① Gasket-Cylinder	1
	B	223925	② Gasket-Cylinder	1
68	A	111026	Ring Snap Int	2
69	B	218275	Pin-Piston	1
70	A	218264	① Piston-Machined	1
	B	224075	② Piston-Machined	1
71	A	217475	① Ring-Piston	1
	A	223455	② Ring-Piston	1
72	A	216027	Screw-Pn M5x28.5	4
73	B	215541	Grommet	1
74	C	223887	C/Case Assembly	1
75	C	213191	Pin	4
76	A	215545	Gasket-C/Case	1
77	A	110984	Bearing-Needle	1
78	A	102164	Key-Flywheel	1
79	B	216143	Bearing Ball	2
80	B	222960	Crankshaft Assembly	1
81	A	216500	Seal-C/Shaft Oil	2
82	B	300415	Rope - Bulk 250' Spool	1

① Used on model 11400200-03.
 ② Used on model 12400200-03.

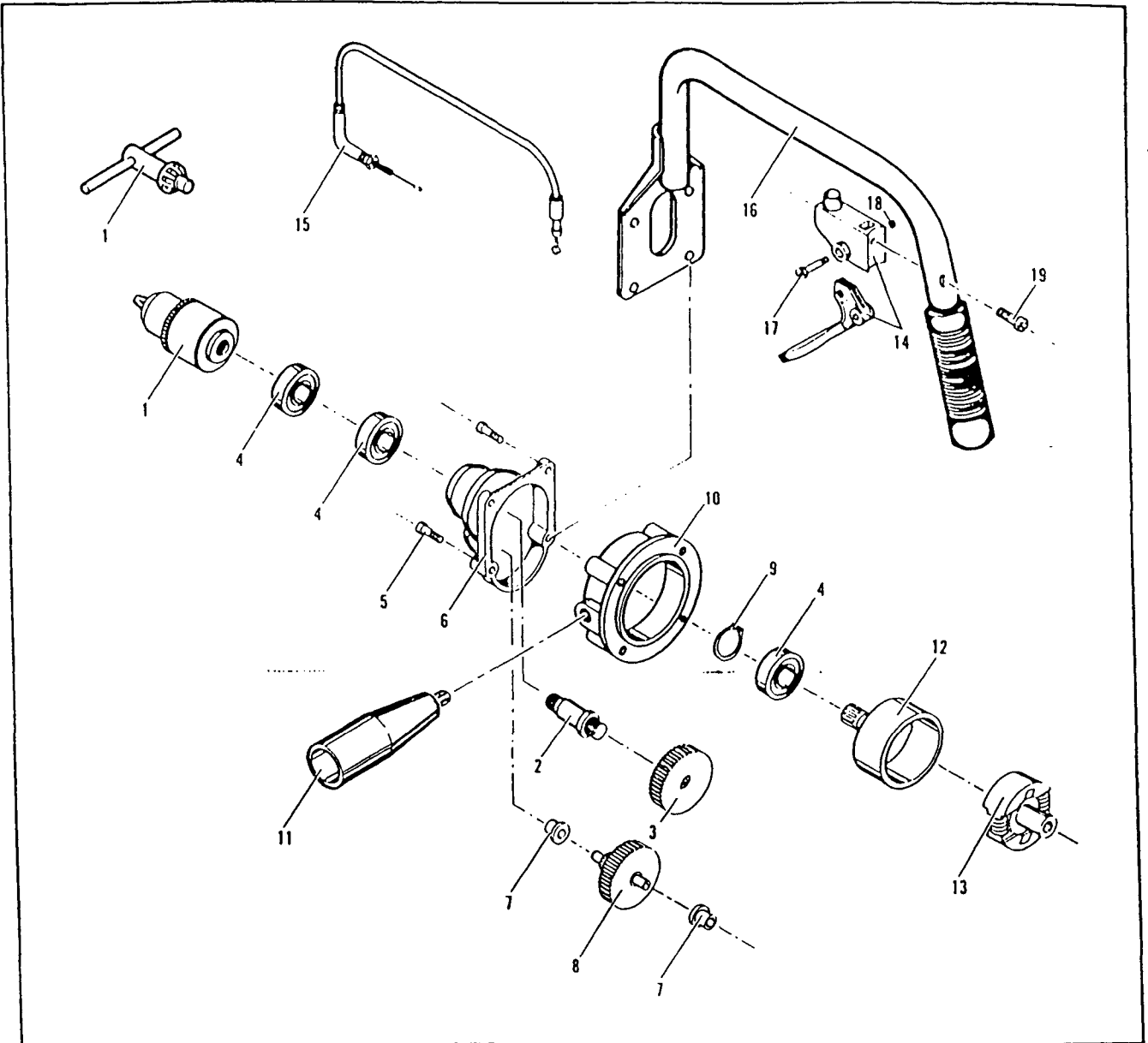
LOCTITE KIT	
PART NUMBER	DESCRIPTION
322235	LOCTITE KIT
322236	RETAINING COMPOUND 620 (10 ml)
322237	THREAD LOCKER 242 (10 ml)
322238	GASKET ELIMINATOR 518 (50 ml)
322239	BLACK MAX ADHESIVE 380 (01 oz)

KIT INCLUDES: LOCTITE PRODUCT GUIDE, POCKET GUIDE AND MSDS DATA SHEETS

FIGURE 2

GENERAL ASSEMBLY

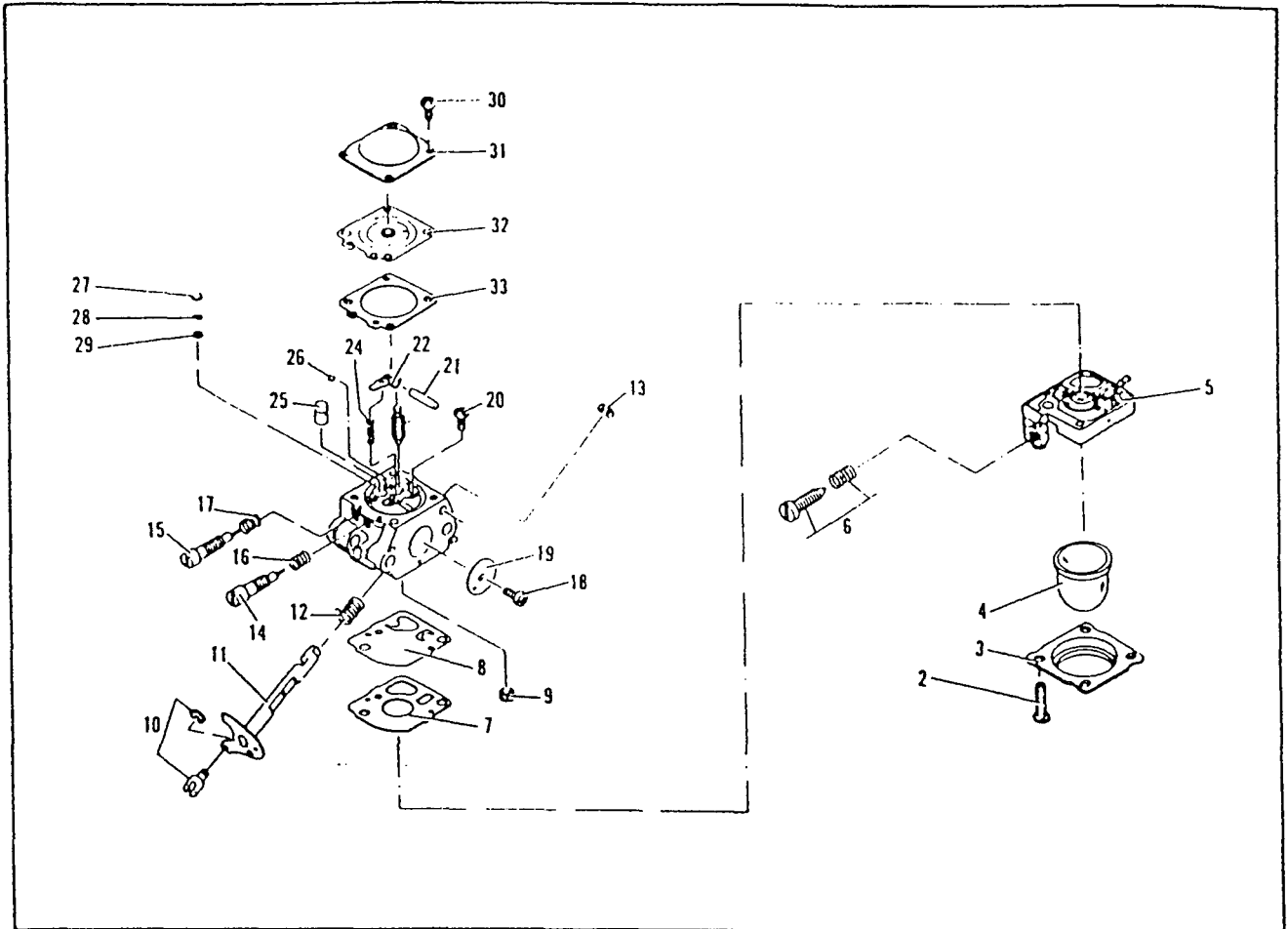
TITAN DRILL



ITEM NO.	STK CODE	PART NUMBER	DESCRIPTION	UNITS PER ASY.
1	C	224188	Chuck w/Chuck Key	1
2	C	224193	Drive-Shaft	1
3	C	224191	Gear	1
4	C	224185	Ball Bearing	3
5	C	224262	Bolt-Hx 10-32x2 1/8	4
6	C	224192	Gear Case	1
7	C	224196	Flange Bearing	2
8	C	224194	Pinion Assembly	1
9	C	224186	Snap Ring	1
10	C	224190	Clutch Housing	1

ITEM NO.	STK CODE	PART NUMBER	DESCRIPTION	UNITS PER ASY.
11	C	224187	Grip	1
12	C	224195	Clutch Drum & Pinion	1
13	C	224198	Clutch Rotor	1
14	C	224200	Throttle Lever Assembly	1
15	C	224197	Throttle Cable Assembly	1
16	C	224199	Handle Assembly	1
17	C	224261	Pin, Throttle Lever	1
18	C	111092	Clip, Retaining	1
19	C	111091	Screw #8 x 1.5	1

CARBURETOR ASSEMBLY FIGURE 3



ITEM NO.	STK CODE	PART NUMBER	DESCRIPTION	UNITS PER ASY.
1	R	222209-03	Carburetor(Walbro WT132A)	1
2	-	- - -	① . Screw-Pump Cover	2
3	-	- - -	. Cover-Primer Pump	1
4	A	223077	. Primer-Pump	1
5	B	223913	. Cover Asy Fuel Pump	1
6	-	- - -	. Screw-Idle Adjustment	1
7	-	- - -	① ② . Gasket-Fuel Pump	1
8	-	- - -	① ② . Diaphragm-Fuel Pump	1
9	-	- - -	① . Screen-Fuel Pump Inlet	1
10	B	224466	. Swivel Kit	1
11	-	- - -	. Shaft Assembly Throttle	1
12	-	- - -	① . Spring-Throttle Return	1
13	-	- - -	. Ring-Shaft Retainer	1
14	-	- - -	① . Needle-Idle	1
15	-	- - -	① . Needle-High Speed	1
16	-	- - -	① . Spring-Idle Needle	1
17	-	- - -	① . Spring-High Speed Needle	1

ITEM NO.	STK CODE	PART NUMBER	DESCRIPTION	UNITS PER ASY.
18	-	- - -	① . Screw-Valve	1
19	-	- - -	. Valve-Throttle	1
20	-	- - -	① . Screw-Metering Lever Pin	1
21	-	- - -	① . Pin-Metering Lever	1
22	-	- - -	① . Lever-Metering	1
23	-	- - -	① . Valve-Inlet Needle	1
24	-	- - -	① . Spring-Metering Lever	1
25	-	- - -	. Seat Asy-Check Valve	1
26	-	- - -	① . Plug-Welch 5/16	1
27	-	- - -	① . Plug-Welch 1/4	1
28	-	- - -	① . Ring-Screen Featiner	1
29	-	- - -	① . Screen-Check Valve	1
30	-	- - -	① . Screw-Metering Cover	4
31	-	- - -	. Cover-Metering Lever	1
32	-	- - -	① ② . Diaphragm Asy-Metering	1
33	-	- - -	① ② . Gasket-Metering Diaph.	1

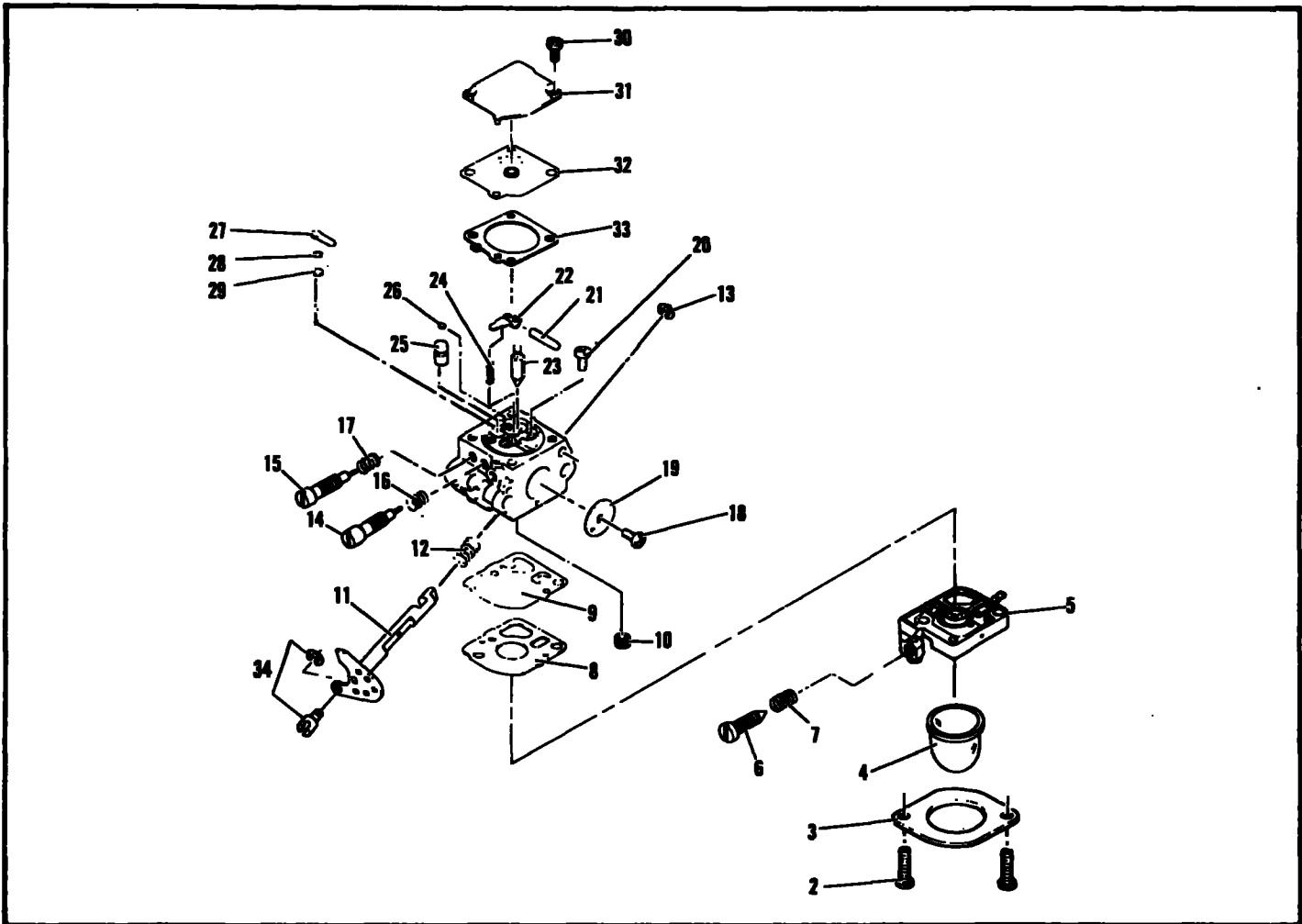
NOTE: One of two (2) carburetors used, identify carburetor before ordering replacement parts. Items are shown for identification and disassembly sequence purposes only. Components are not available separately unless a part number is listed before the part description.

① Contained in Major Repair Kit, P/N 223832 (CODE B).
 ② Contained in Gasket/Diaphragm Kit, P/N 223833 (CODE B).

FIGURE 4

CARBURETOR ASSEMBLY

McCULLOCH DRILL



ITEM NO.	STK CODE	PART NUMBER	DESCRIPTION	UNITS PER ASY.
1	C	224142-03	Carburetor(Walbro WT 238)	1
2	-	---	Screw-Pump Cover	2
3	-	---	Cover-Primer Pump	1
4	A	223077	Primer-Pump	1
5	B	223913	Cover Asy Fuel Pump	1
6	-	---	Screw-Idle Adjustment	1
7	-	---	Spring-Idle Screw	1
8	-	---	⓪ ⓑ Gasket-Fuel Pump	1
9	-	---	⓪ ⓑ Diaphragm-Fuel Pump	1
10	-	---	⓪ Screen-Fuel Pump Inlet	1
11	-	---	Shaft Assembly Throttle	1
12	-	---	⓪ Spring-Throttle Return	1
13	-	---	Ring-Shaft Retainer	1
14	-	---	⓪ Needle-Idle	1
15	-	---	⓪ Needle-High Speed	1
16	-	---	⓪ Spring-Idle Needle	1
17	-	---	⓪ Spring-High Speed Needle	1

ITEM NO.	STK CODE	PART NUMBER	DESCRIPTION	UNITS PER ASY.
18	-	---	⓪ Screw-Valve	1
19	-	---	Valve-Throttle	1
20	-	---	⓪ Screw-Metering Lever Pin	1
21	-	---	⓪ Pin-Metering Lever	1
22	-	---	⓪ Lever-Metering	1
23	-	---	⓪ Valve-Inlet Needle	1
24	-	---	⓪ Spring-Metering Lever	1
25	-	---	Seat Asy-Check Valve	1
26	-	---	⓪ Plug-Welch 5/16	1
27	-	---	⓪ Plug-Welch 1/4	1
28	-	---	⓪ Ring-Screen Retainer	1
29	-	---	⓪ Screen-Check Valve	1
30	-	---	⓪ Screw-Metering Cover	4
31	-	---	Cover-Metering Lever	1
32	-	---	⓪ ⓑ Diaphragm Asy-Metering	1
33	-	---	⓪ ⓑ Gasket-Metering Diaph.	1
34	B	224466	Kit-Swivel Carburetor	1

NOTE: One of two (2) carburetors used, identify carburetor before ordering replacement parts. Items are shown for identification and disassembly sequence purposes only. Components are not available separately unless a part number is listed before the part description.

⓪ Contained in Major repair Kit, P/N 224462 (CODE B).
 ⓑ Contained in Gasket/Diaphragm Kit, P/N 223833 (CODE B).

SPECIFICATIONS **FIGURE 5**

ENGINE TYPE	Air-Cooled Two Cycle, Single Cylinder
DISPLACEMENT	21.2cc (1.29 ci)
BORE	1.268 inches (32.21 mm)
STROKE	1.024 inches (26mm)
IGNITION	Electronic
FLYWHEEL to IGN. GAP	0.012 inches
SPARK PLUG GAP	.025 inches (.63mm)
FUEL TANK CAPACITY	14.6 Fl. oz.
RUNNING TIME	30 to 45 Minutes
DRY WEIGHT	12 Pounds
CARBURETOR	Diaphragm/Primer Type
CHUCK CAPACITY	1/2"

SERVICE TOOLS **FIGURE 6**

PART NUMBER	STK. CODE	DESCRIPTION
222785	T	T-25 Torx Drive 3.5"
215432	T	Pressure Test Tool
217720	T	Kit, Torx Wrenches