

# FIGURE 1

# ENGINE ASSEMBLY

McCULLOCH DRILL

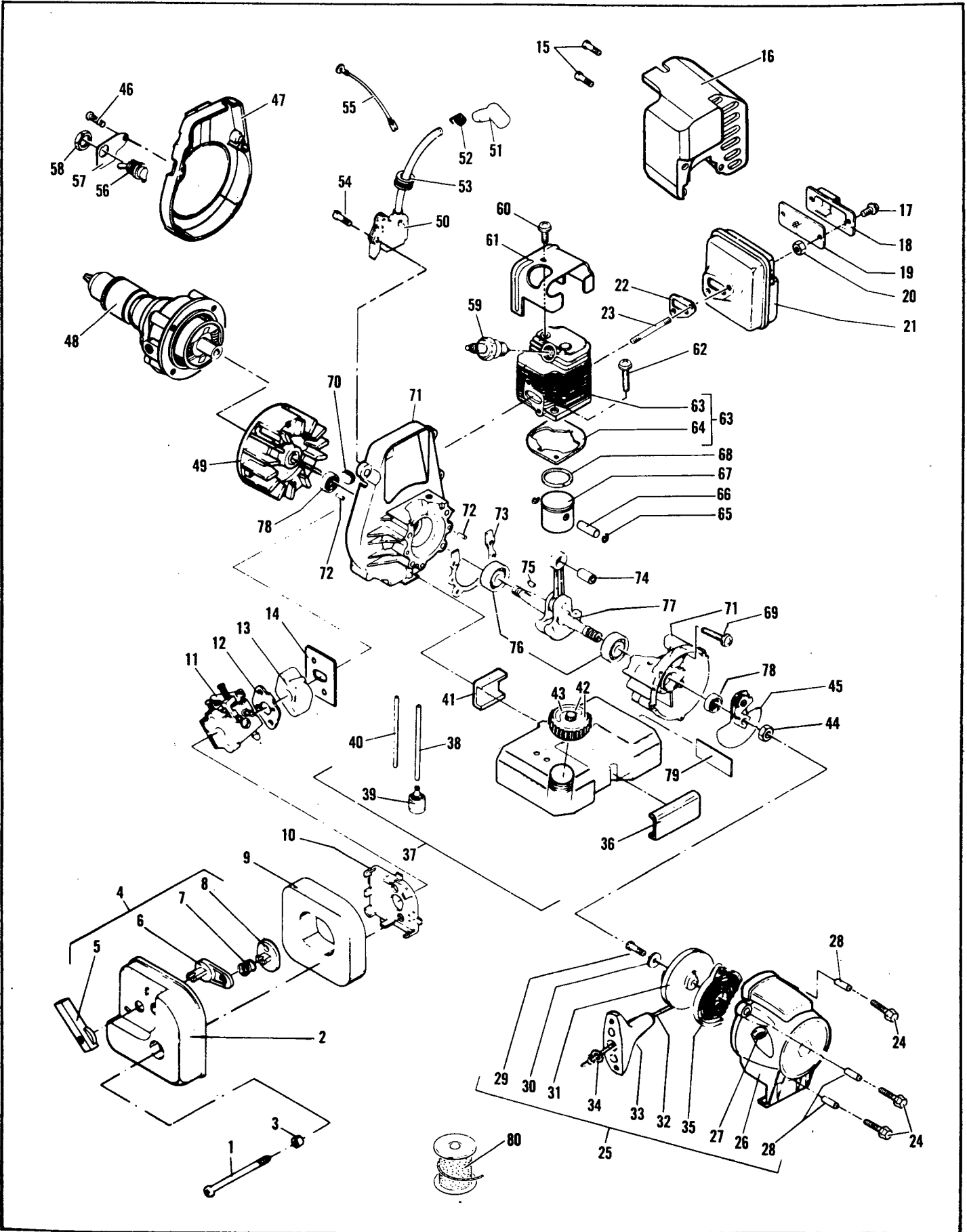


FIGURE 1 ENGINE ASSEMBLY

ITEM NO.	STK CODE	PART NUMBER	DESCRIPTION	UNITS PER ASY.
1	A	219078	① Screw-Pn M5x69 Sems Torx	2
	B	224327	② Screw-Pn M5x69 Torx SS	2
2	A	223196	Cover Asy. Choke	1
3	B	219023	. Insert A/C Cover	2
4	A	223520	. Kit Choke Knob	1
5	-	-- --	.. Lever-Choke	1
6	-	-- --	.. Lever-Shutter	1
7	B	219016	.. Spring-Shutter	1
8	-	-- --	.. Plate-Choke Shutter	1
9	A	219145	Filter-Air	1
10	A	222758	Box-Air	1
11	-	FIGURE 3 / 4	Carburetors	1
12	A	218933	① Gasket-Spacer	1
	A	224148	② Gasket-Carb	1
13	A	219070	① Insulator-Carburetor	1
	B	223984	② Insulator-S/T	1
14	A	216575	① Gasket/Shield-Insulator	1
	B	223986	② Gasket/Shield-Insulator	1
15	A	215874	Screw-Pn M4x9.5 Torx	2
16	C	222566	Shield-Muffler/	1
17	A	216025	Screw-Pn M4x8 Torx Sem	2
18	B	217318	Cover-Screen	1
19	B	219149	Screen-Arrestor	1
20	A	222247	Nut-Stud	2
21	B	215506	Muffler Assembly	1
22	A	215515	Gasket-Muffler	1
23	A	222480	Stud-Muffler	2
24	A	217669	Screw-Pn M4x25 Torx	3
25	B	219590	Starter Assembly	1
26	B	223331	. Housing Starter	1
27	A	218932	.. Guide-Rope	1
28	A	219585	.. Spacer-Starter Hsg	3
29	A	215874	. Screw-Pn M4x9.5	1
30	B	216590	. Washer Flat M4	1
31	A	216092	. Drum-Rope Assembly	1
32	A	216093	.. Rope-Starter(36")	1
33	A	216792	. Handle-Starter	1
34	A	218941	. Washer-Nylon	1
35	A	300474	. Pkg. Spring, Starter Rewind	1
36	A	217382	Cushion-Fuel Tank	1
37	A	222239	Tank Assembly-Fuel	1
38	A	217264	. Hose-Fuel	1
39	A	216985	. Pickup-Fuel	1
40	A	222238	. Hose-Fuel Return	1

ITEM NO.	STK CODE	PART NUMBER	DESCRIPTION	UNITS PER ASY.
41	A	217390	Cushion-Fuel Tank	1
42	A	300700	Kit, Cap-Fuel	1
43	C	211242	. Decal (OPEN SLOWLY)	1
44	B	216583	Nut-Hex M8	1
45	A	215525	Ratchet Assembly	1
46	A	213177	Screw-Pn M4.2x18.5	4
47	C	223688	Housing-Fan	1
48	-	FIGURE 2	General Assembly	1
49	B	222308	Flywheel	1
50	A	219848	Ignition Assy (Cream Colored)	1
51	A	95266	. Boot Spark Plug	1
52	A	102556	. Connector-Spark	1
53	B	215533-01	Grommet H/T Lead	1
54	A	216022	Screw-Pn M4x 23.4 Torx	2
55	C	219383	Wire Assembly Switch	1
56	B	217648	Switch-Toggle	1
57	B	217381	Plate-Switch	1
58	C	219917	Nut-Hex 15/32	1
59	A	62345	Spark Plug	1
60	B	213178	Screw-Pn M5x8.5 Sems	1
61	B	215540	Cover-Cylinder	1
62	B	217320	Screw-Pn M6x18 Torx	2
63	B	219084-01 ①	Kit, Cyl(Pltd Brgd)/Gasket	1
	C	224448 ②	Kit, Cylinder, Plated/Gasket	1
64	A	215542 ①	. Gasket-Cylinder	1
	B	223925 ②	. Gasket-Cylinder	1
65	A	111026	Ring Snap Int	2
66	B	218275	Pin-Piston	1
67	A	218264 ①	Piston-Machined	1
	B	224075 ②	Piston-Machined	1
68	A	217475 ①	Ring-Piston	1
	A	223455 ②	Ring-Piston	1
69	A	216027	Screw-Pn M5x28.5	4
70	B	215541	Grommet	1
71	B	223902	C/Case Assembly	1
72	C	213191	Pin	4
73	A	215545	Gasket-C/Case	1
74	A	110984	Bearing-Needle	1
75	A	102164	Key-Flywheel	1
76	A	213282	Bearing Crankshaft	2
77	B	218106-01	Crankshaft Assembly	1
78	A	83859	Seal-C/Shaft Oil	2
79	C	322100	Decal, Storage	1
80	B	300415	Rope, Bulk 250' Spool	1

① Used on model 11400200-02  
 ② Used on model 12400200-02

LOCTITE KIT

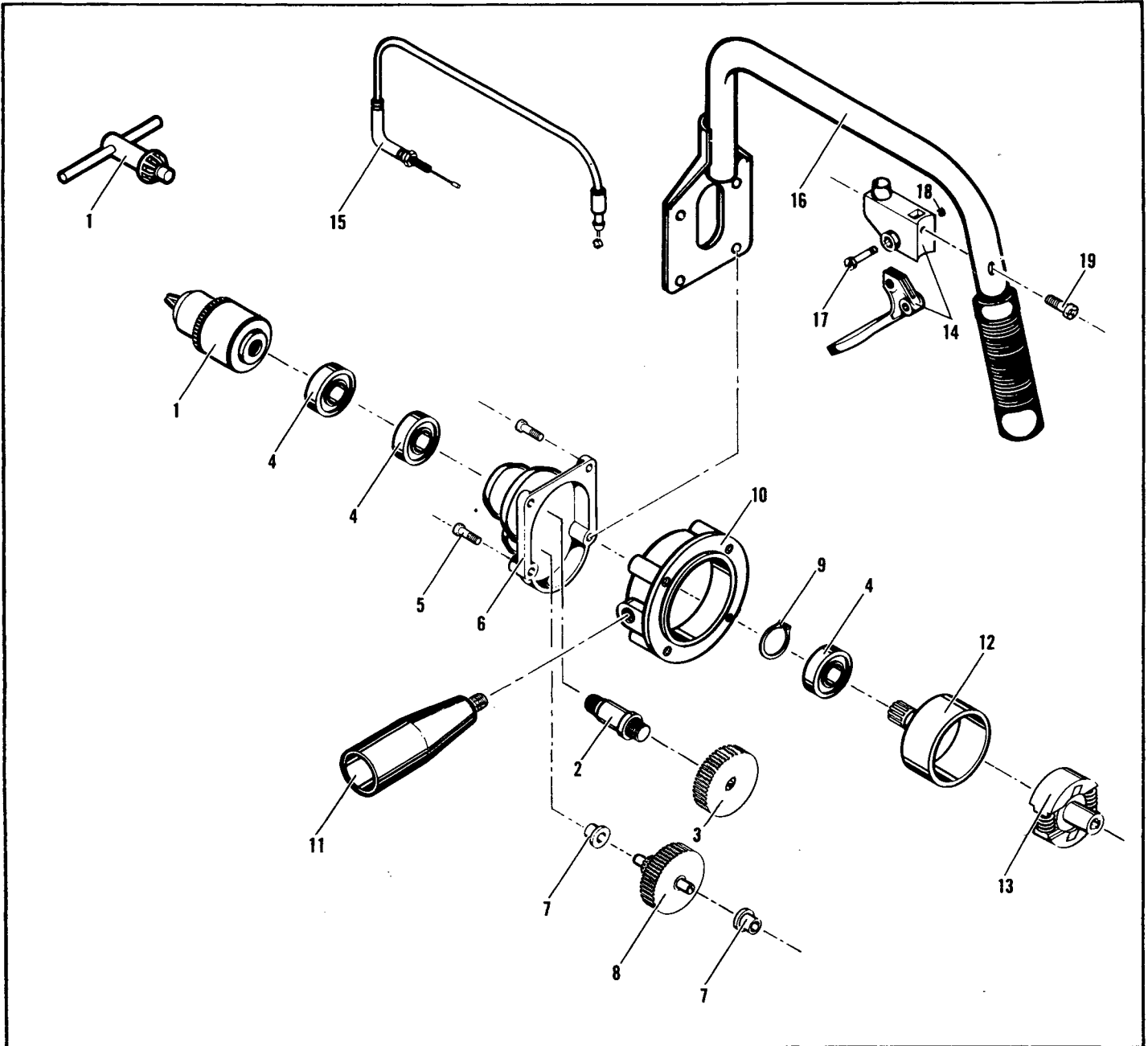
PART NUMBER	DESCRIPTION
322235	LOCTITE KIT
322236	. RETAINING COMPOUND 620 (10 ml)
322237	. THREAD LOCKER 242 (10 ml)
322238	. GASKET ELIMINATOR 518 (50 ml)
322239	. BLACK MAX ADHESIVE 380 (01 oz)

KIT INCLUDES: LOCTITE PRODUCT GUIDE, POCKET GUIDE AND MSDS DATA SHEETS

# FIGURE 2

# GENERAL ASSEMBLY

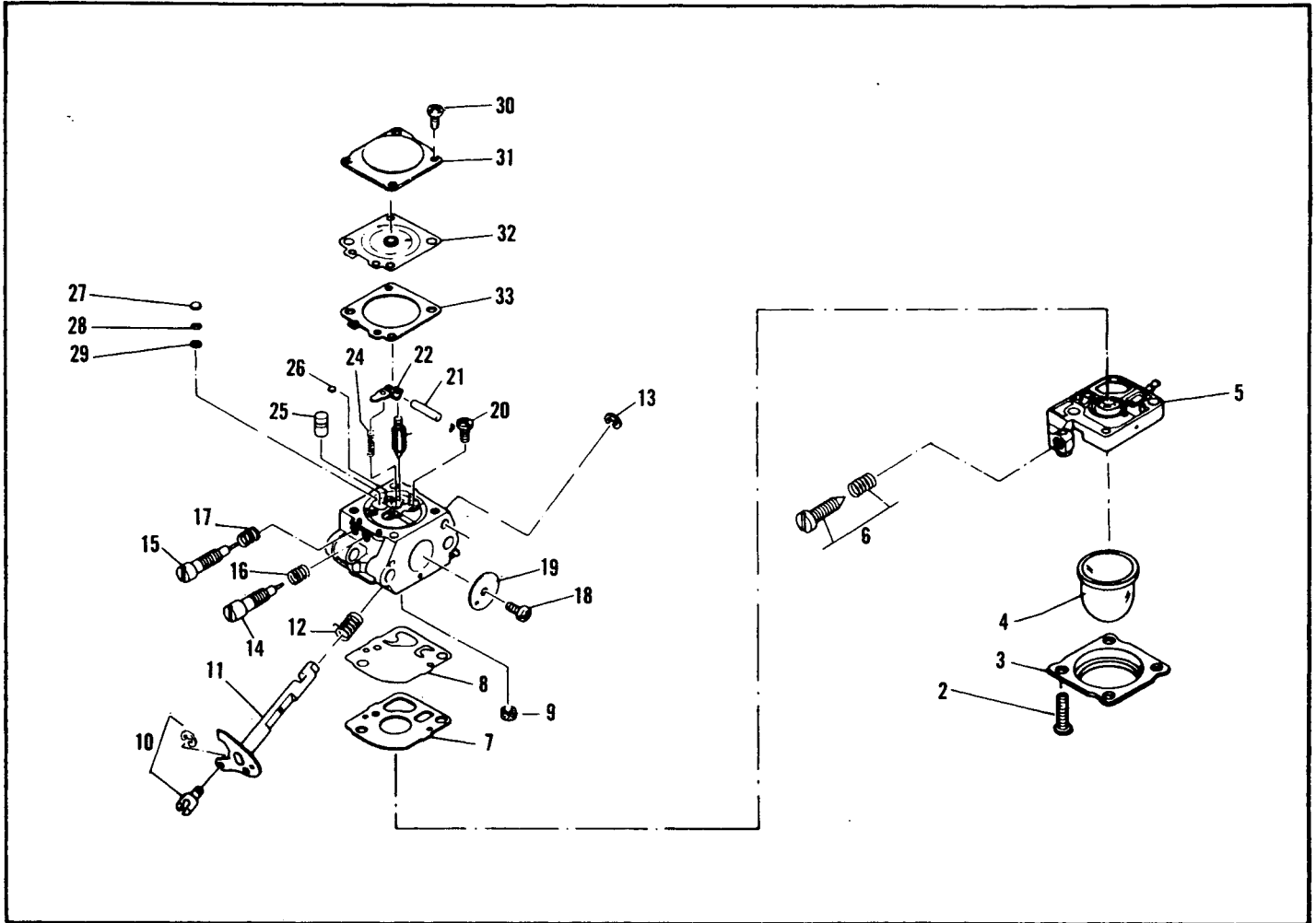
McCULLOCH DRILL



ITEM NO.	STK. CODE	PART NUMBER	DESCRIPTION	UNITS PER ASY.
1	C	224188	Chuck w/Chuck Key	1
2	C	224193	Drive-Shaft	1
3	C	224191	Gear	1
4	C	224185	Ball Bearing	3
5	C	224262	Bolt-Hx 10-32x2 1/8	4
6	C	224192	Gear Case	1
7	C	224196	Flange Bearing	2
8	C	224194	Pinion Assembly	1
9	C	224186	Snap Ring	1
10	C	224190	Clutch Housing	1

ITEM NO.	STK. CODE	PART NUMBER	DESCRIPTION	UNITS PER ASY.
11	C	224187	Grip	1
12	C	224195	Clutch Drum & Pinion	1
13	C	224198	Clutch Rotor	1
14	C	224200	Throttle Lever Assembly	1
15	C	224197	Throttle Cable Assembly	1
16	C	224199	Handle Assembly	1
17	C	224261	Pin, Throttle Lever	1
18	C	111092	Clip, Retaining	1
19	C	111091	Screw #8 x 1.5	1

# CARBURETOR ASSEMBLY FIGURE 3



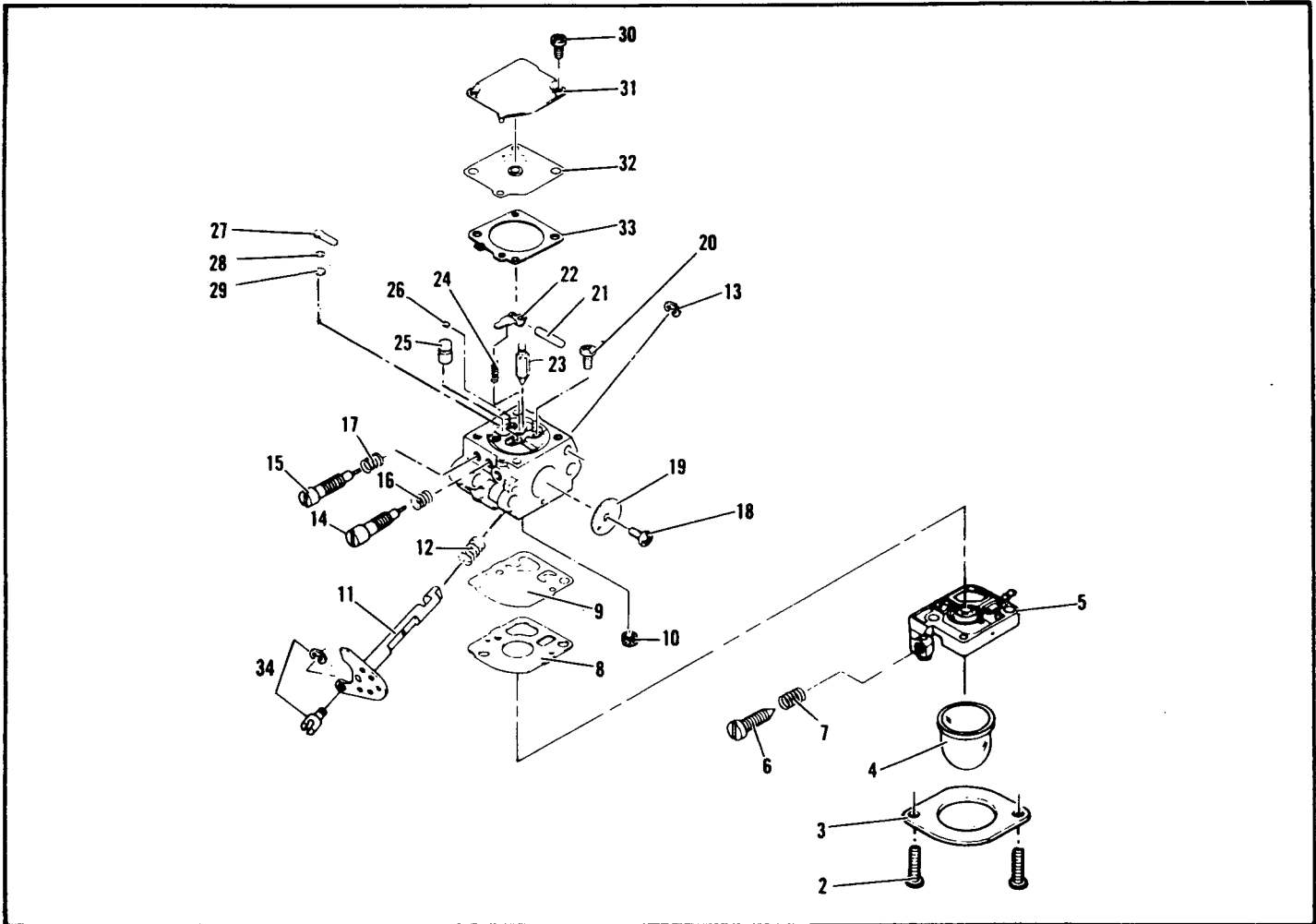
ITEM NO.	STK CODE	PART NUMBER	DESCRIPTION	UNITS PER ASY.
1	R	222209-03	Carburetor(Walbro WT132A)	1
2	-	---	① Screw-Pump Cover	2
3	-	---	Cover-Primer Pump	1
4	A	223077	Primer-Pump	1
5	B	223913	Cover Asy Fuel Pump	1
6	-	---	Screw-Idle Adjustment	1
7	-	---	① ② Gasket-Fuel Pump	1
8	-	---	① ② Diaphragm-Fuel Pump	1
9	-	---	① Screen-Fuel Pump Inlet	1
10	B	224466	Swivel Kit	1
11	-	---	Shaft Assembly Throttle	1
12	-	---	① Spring-Throttle Return	1
13	-	---	Ring-Shaft Retainer	1
14	-	---	① Needle-Idle	1
15	-	---	① Needle-High Speed	1
16	-	---	① Spring- Idle Needle	1
17	-	---	① Spring-High Speed Needle	1

ITEM NO.	STK CODE	PART NUMBER	DESCRIPTION	UNITS PER ASY.
18	-	---	① Screw-Valve	1
19	-	---	Valve-Throttle	1
20	-	---	① Screw-Metering Lever Pin	1
21	-	---	① Pin-Metering Lever	1
22	-	---	① Lever-Metering	1
23	-	---	① Valve-Inlet Needle	1
24	-	---	① Spring-Metering Lever	1
25	-	---	Seat Asy-Check Valve	1
26	-	---	① Plug-Welch 5/16	1
27	-	---	① Plug-Welch 1/4	1
28	-	---	① Ring-Screen Reatiner	1
29	-	---	① Screen-Check Valve	1
30	-	---	① Screw-Metering Cover	4
31	-	---	Cover-Metering Lever	1
32	-	---	① ② Diaphragm Asy-Matering	1
33	-	---	① ② Gasket-Metering Diaph.	1

**NOTE:** One of two (2) carburetors used, identify carburetor before ordering replacement parts. Items are shown for identification and disassembly sequence purposes only. Components are not available separately unless a part number is listed before the part description.

① Contained in Major Repair Kit, P/N 223832 (CODE B).  
 ② Contained in Gasket/Diaphragm Kit, P/N 223833 (CODE B).

# FIGURE 4 CARBURETOR ASSEMBLY



ITEM NO.	STK CODE	PART NUMBER	DESCRIPTION	UNITS PER ASY.
1	C	224142-03	Carburetor(Walbro WT 238)	1
2	-	- - -	Screw-Pump Cover	2
3	-	- - -	Cover-Primer Pump	1
4	A	223077	Primer-Pump	1
5	B	223913	Cover Asy Fuel Pump	1
6	-	- - -	Screw-Idle Adjustment	1
7	-	- - -	Spring-Idle Screw	1
8	-	- - -	① ② Gasket-Fuel Pump	1
9	-	- - -	① ② Diaphragm-Fuel Pump	1
10	-	- - -	① Screen-Fuel Pump Inlet	1
11	-	- - -	Shaft Assembly Throttle	1
12	-	- - -	① Spring-Throttle Return	1
13	-	- - -	Ring-Shaft Retainer	1
14	-	- - -	① Needle-Idle	1
15	-	- - -	① Needle-High Speed	1
16	-	- - -	① Spring- Idle Needle	1
17	-	- - -	① Spring-High Speed Needle	1

ITEM NO.	STK CODE	PART NUMBER	DESCRIPTION	UNITS PER ASY.
18	-	- - -	① Screw-Valve	1
19	-	- - -	Valve-Throttle	1
20	-	- - -	① Screw-Metering Lever Pin	1
21	-	- - -	① Pin-Metering Lever	1
22	-	- - -	① Lever-Metering	1
23	-	- - -	① Valve-Inlet Needle	1
24	-	- - -	① Spring-Metering Lever	1
25	-	- - -	Seat Asy-Check Valve	1
26	-	- - -	① Plug-Welch 5/16	1
27	-	- - -	① Plug-Welch 1/4	1
28	-	- - -	① Ring-Screen Retainer	1
29	-	- - -	① Screen-Check Valve	1
30	-	- - -	① Screw-Metering Cover	4
31	-	- - -	Cover-Metering Lever	1
32	-	- - -	① ② Diaphragm Asy-Matering	1
33	-	- - -	① ② Gasket-Metering Diaph.	1
34	B	224466	Kit -Swivel Carburetor	1

NOTE: One of two (2) carburetors used, identify carburetor before ordering replacement parts. Items are shown for identification and disassembly sequence purposes only. Components are not available separately unless a part number is listed before the part description.

① Contained in Major repair Kit, P/N 224462 (CODE B).  
 ② Contained in Gasket/Diaphragm Kit, P/N 223833 (CODE B).

## SPECIFICATIONS **FIGURE 5**

<b>ENGINE TYPE</b> . . . . .	Air-Cooled Two Cycle, Single Cylinder
<b>DISPLACEMENT</b> . . . . .	21.2cc (1.29 ci)
<b>BORE</b> . . . . .	1.268 inches (32.21 mm)
<b>STROKE</b> . . . . .	1.024 inches (26mm)
<b>IGNITION</b> . . . . .	Electronic
<b>FLYWHEEL to IGN. GAP</b> . . . . .	0.012 inches
<b>SPARK PLUG GAP</b> . . . . .	.025 inches (.63mm)
<b>FUEL TANK CAPACITY</b> . . . . .	14.6 Fl. oz.
<b>RUNNING TIME</b> . . . . .	30 to 45 Minutes
<b>DRY WEIGHT</b> . . . . .	12 Pounds
<b>CARBURETOR</b> . . . . .	Diaphragm/Primer Type
<b>CHUCK CAPACITY</b> . . . . .	1/2"

## SERVICE TOOLS **FIGURE 6**

PART NUMBER	STK. CODE	DESCRIPTION
222785	T	T-25 Torx Drive 3.5"
215432	T	Pressure Test Tool
217720	T	Kit, Torx Wrenches