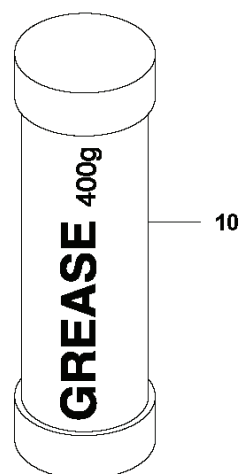
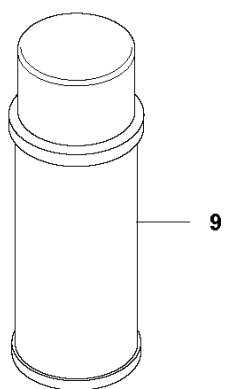
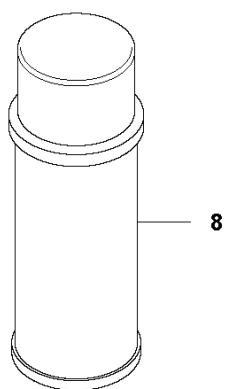
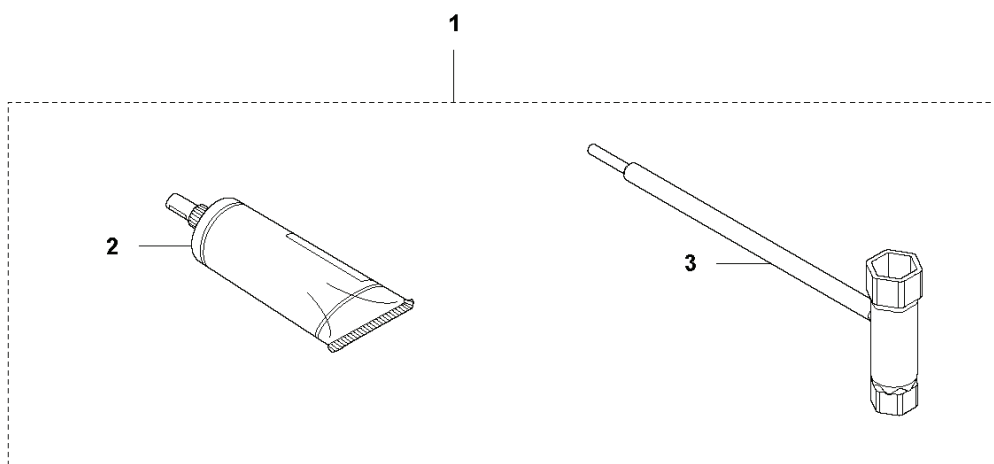


SuperLite 4528, 966693301

---

# **SPARE PARTS LIST**

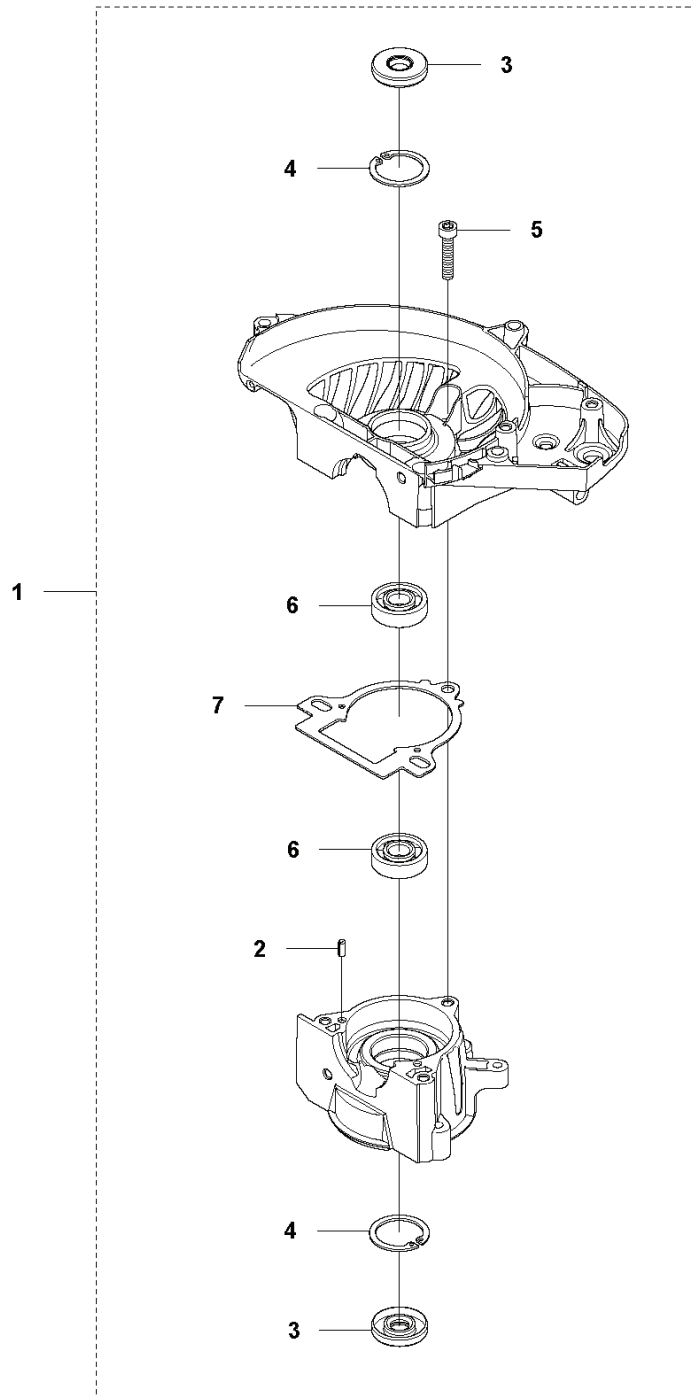
**N** SuperLite 4528  
ACCESSORIES



---

REF.	PART NO.	DESCRIPTION	REMARK	QTY.	KIT
1	577501201	ACCESSORY BAG		1	
2	577765601	GREASE		1	1
3	575738201	COMBINATION WRENCH		1	1
8	544142201	GREASE	UL22	1	
9	544142101	GREASE	UL21	1	
10	588814801	GREASE	Shell Gardus	1	

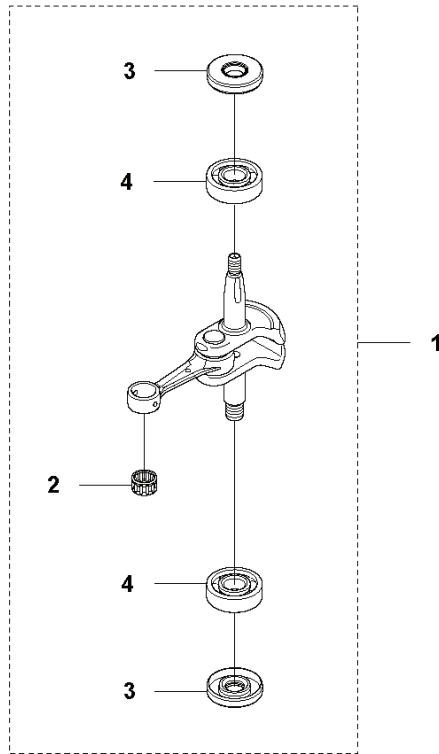
**H** SuperLite 4528  
CRANKCASE



---

REF.	PART NO.	DESCRIPTION	REMARK	QTY.	KIT
1	577669901	CRANKCASE		1	
2	522878401	PIN		2	1
3	525637301	SEALING RING		2	1
4	735312710	CIRCLIP		2	1
5	525825001	SCREW ITXSCM		3	1
6	525728401	BALL BEARING		2	1
7	525521901	GASKET		1	1

**J SuperLite 4528  
CRANK SHAFT**

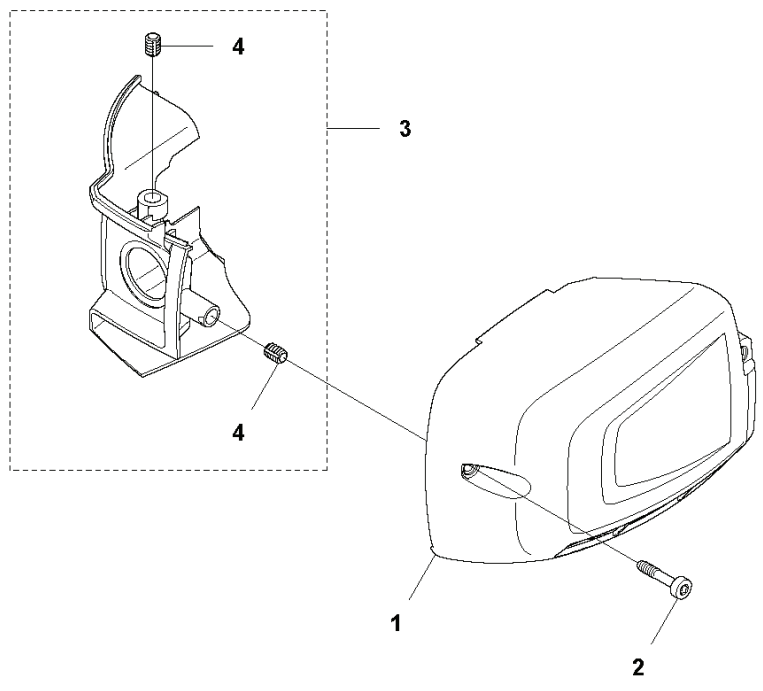


---

REF.	PART NO.	DESCRIPTION	REMARK	QTY.	KIT
1	577670001	CRANKSHAFT KIT		1	
2	575504901	NEEDLE BEARING		1	
3	525637301	SEALING RING		2	
4	525728401	BALL BEARING		2	



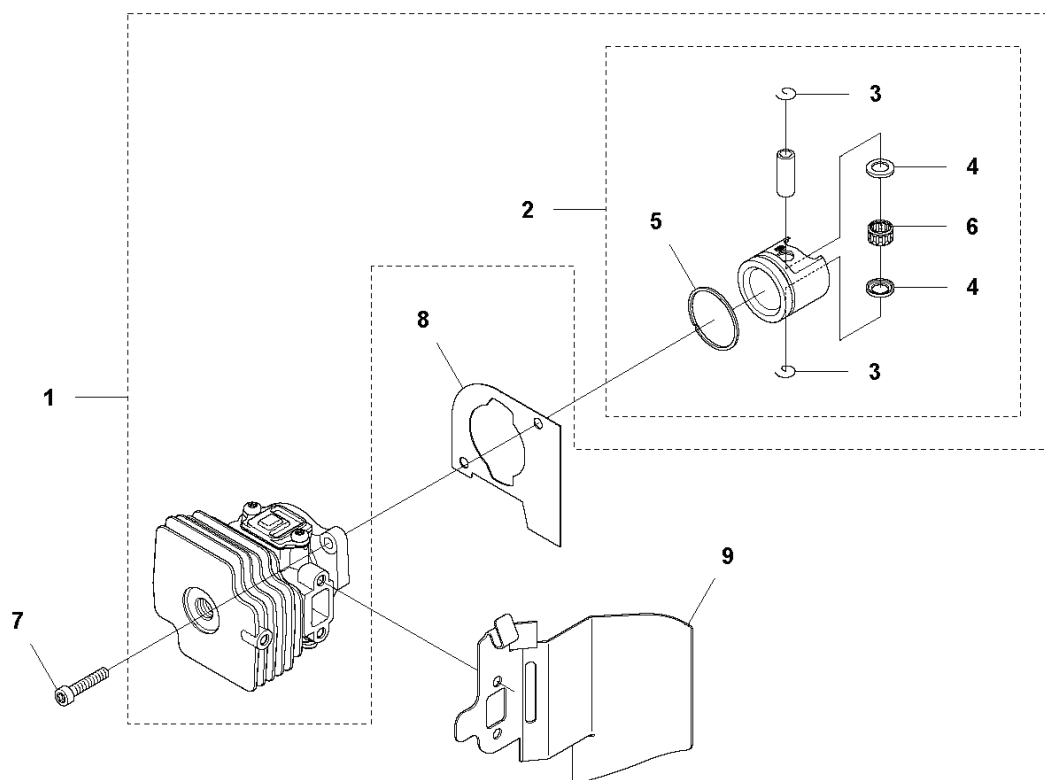
**B** SuperLite 4528  
CYLINDER COVER



---

REF.	PART NO.	DESCRIPTION	REMARK	QTY.	KIT
1	576642501	HEAT PROTECTOR		1	
2	504088001	SCREW ITXSCM		2	
3	576638201	CYLINDER COVER ASSY		1	
4	575434601	THREAD BUSHING		2	3

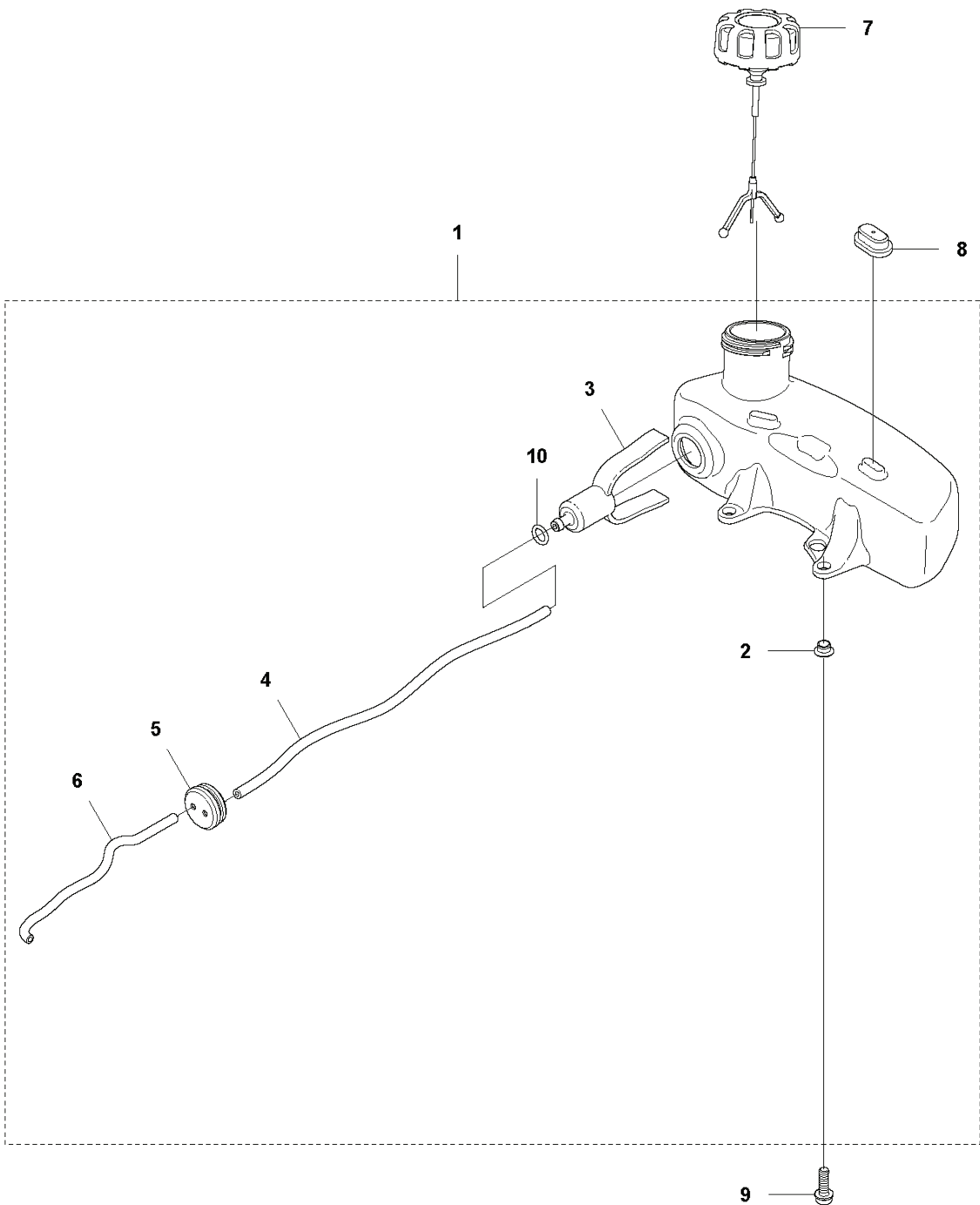
**G SuperLite 4528  
CYLINDER & PISTON**



---

REF.	PART NO.	DESCRIPTION	REMARK	QTY.	KIT
1	577380301	CYLINDER		1	
2	510223602	PISTON ASSY		1	1
3	737440800	CIRCLIP		2	1.2
4	525577701	WASHER		2	1.2
5	505155801	PISTON RING		1	1.2
6	575504901	NEEDLE BEARING		1	1.2
7	525825001	SCREW ITXSCM		2	
8	525522101	GASKET		1	
9	523013501	HEAT DEFLECTOR		1	

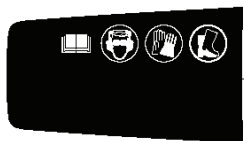
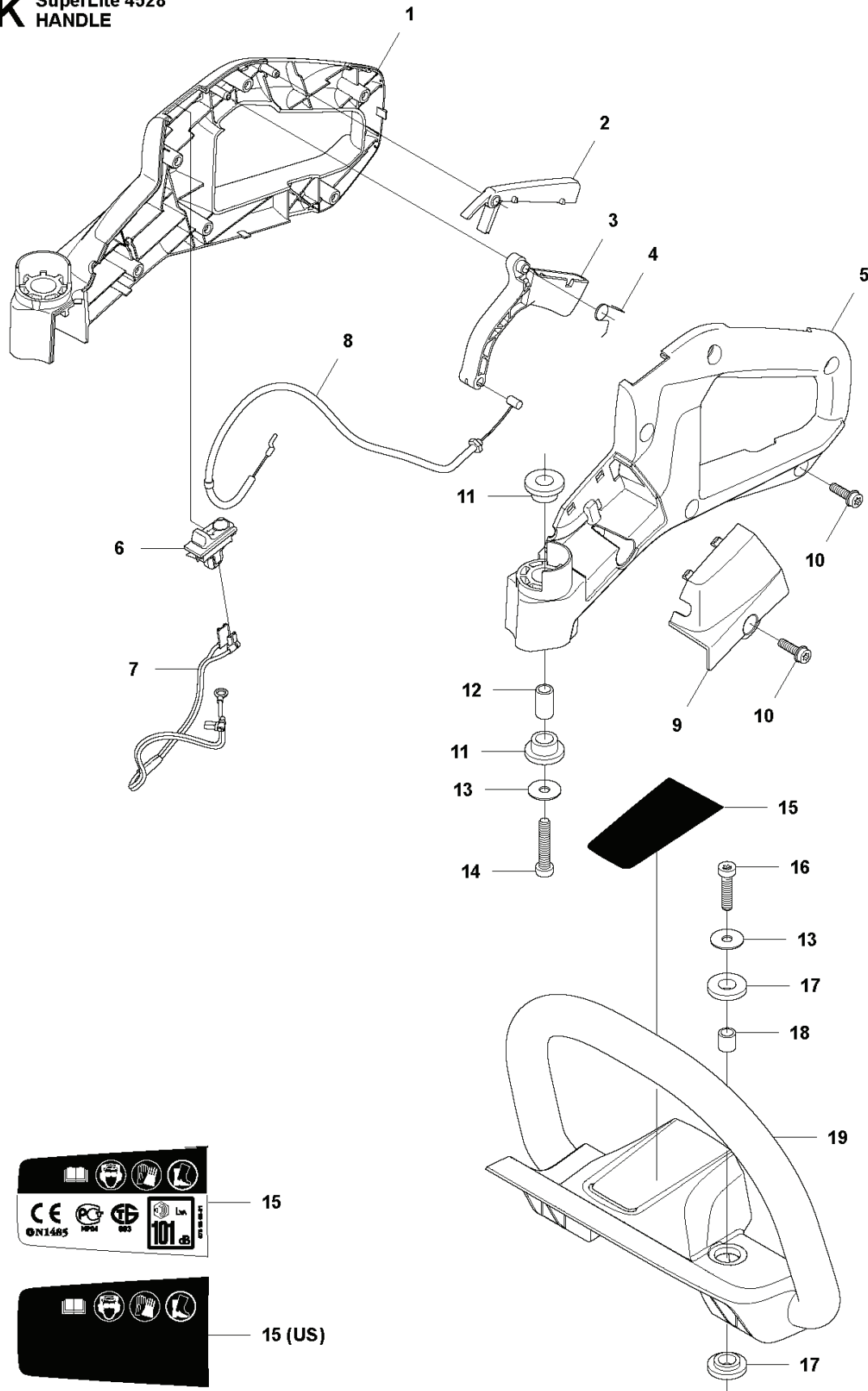
**D** SuperLite 4528  
FUEL TANK



---

REF.	PART NO.	DESCRIPTION	REMARK	QTY.	KIT
1	523014203	TANK ASSY		1	
2	544105802	TUBULAR RIVET		2	1
3	574603901	FUEL FILTER		1	1
4	544325002	FUEL HOSE	300mm	1	1
5	575553801	GROMMET		1	1
6	574600201	HOSE	150mm	1	1
7	590324602	TANK CAP ASSY		1	
8	525822001	FUEL TANK ISOLATOR		2	
9	525755101	SCREW ITXSCFM		2	
10	537184901	O-RING		1	1

**K SuperLite 4528  
HANDLE**

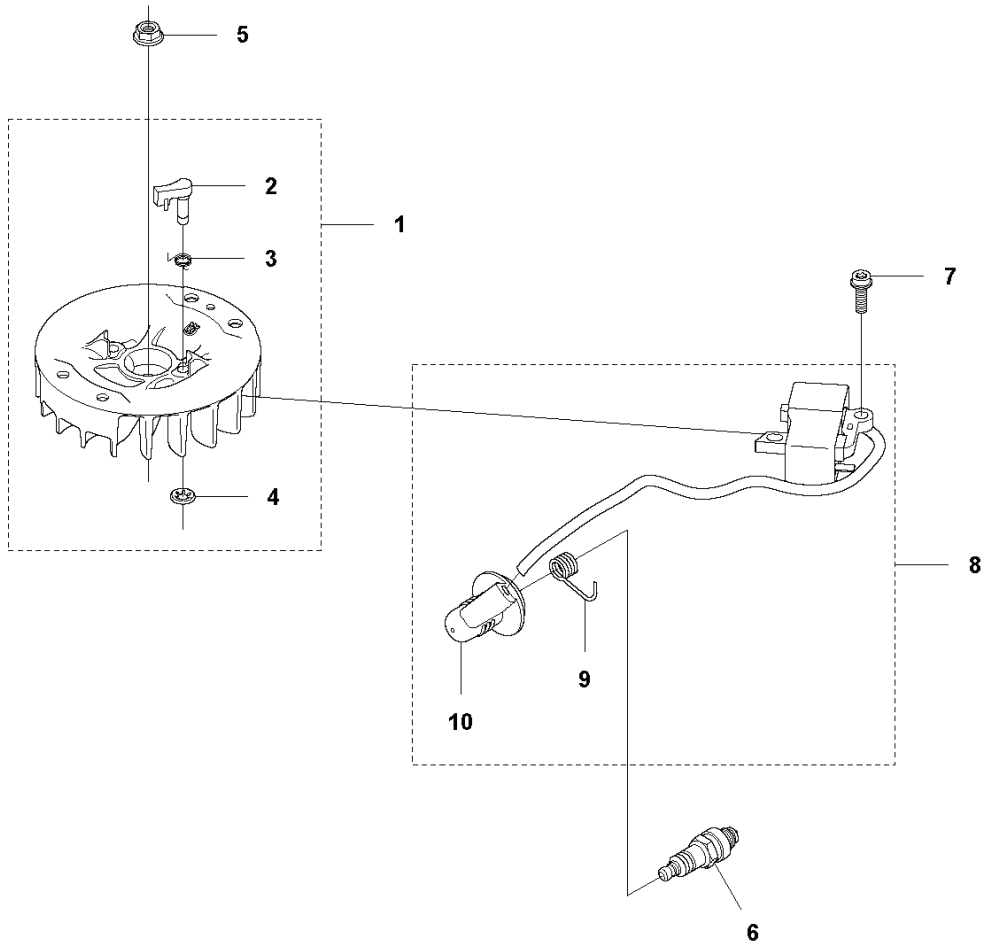


---

REF.	PART NO.	DESCRIPTION	REMARK	QTY.	KIT
1	576547402	REAR HANDLE		1	
2	504089703	THROTTLE LOCKOUT		1	
3	504089403	THROTTLE CONTROL		1	
4	504089601	SPRING		1	
5	576547302	REAR HANDLE		1	
6	537419001	SWITCH		1	
7	574488802	SHORT CIRCUIT CABLE		1	
8	575572101	THROTTLE CABLE ASSY		1	
9	576768802	LID		1	
10	573925801	SCREW ITXSCFT		6	
11	525633501	ANTIVIBRATION ELEMENT		4	
12	525633701	SLEEVE		2	
13	734181455	WASHER		4	
14	544218405	SCREW ITXSCM		2	
15	587130002	LABEL		1	
16	544218403	SCREW ITXSCM		2	
17	525633601	ANTIVIBRATION ELEMENT		4	
18	525633801	SLEEVE		2	
19	576643201	FRONT HANDLE		1	



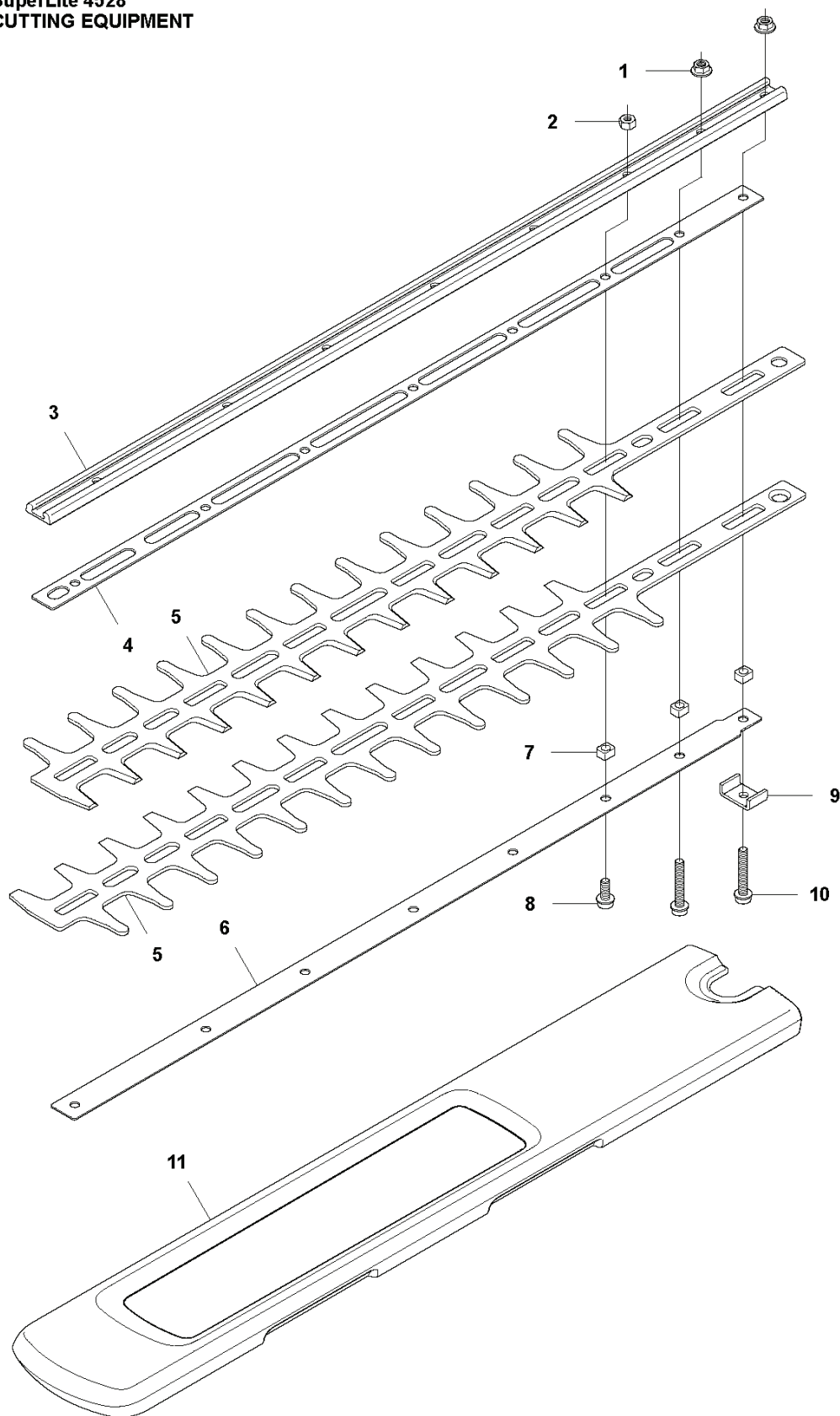
**E** SuperLite 4528  
IGNITION SYSTEM



---

REF.	PART NO.	DESCRIPTION	REMARK	QTY.	KIT
1	525739501	FLYWHEEL ASSY		1	
2	525637101	STARTER PAWL		2	1
3	573951501	SPRING		2	1
4	735583000	WASHER		2	1
5	731711651	HEXAGON NUT FLANGE		1	
6	590710201	SPARK PLUG		1	
7	525755101	SCREW ITXSCFM		2	
8	585074002	IGNITION MODULE		1	
9	501485601	CONTACT SPRING		1	8
10	577572501	SPARK PLUG CAP		1	8

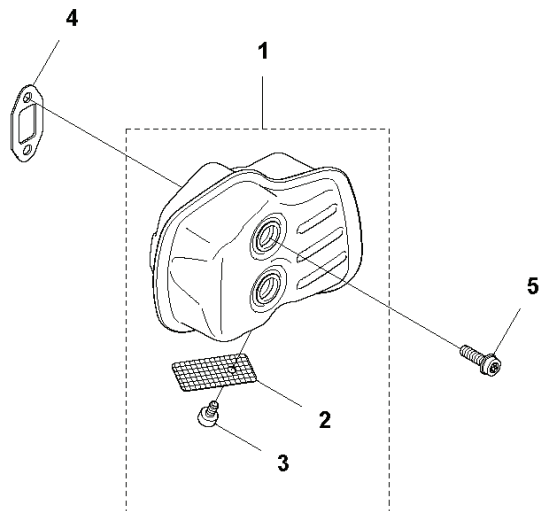
**M** SuperLite 4528  
CUTTING EQUIPMENT



---

REF.	PART NO.	DESCRIPTION	REMARK	QTY.	KIT
1	731711451	HEXAGON NUT FLANGE		2	
2	731231401	HEXAGON NUT		6	
3	525350801	BAR		1	
4	525351601	WEAR PLATE		1	
5	577249601	BLADE HEDGE TRIMMER		2	
6	525351101	BAR		1	
7	525351901	SPACER		8	
8	525755105	SCREW ITXSCFM		6	
9	525352001	BRACKET		1	
10	525755103	SCREW ITXSCFM		2	
11	577268801	TRANSPORT GUARD		1	

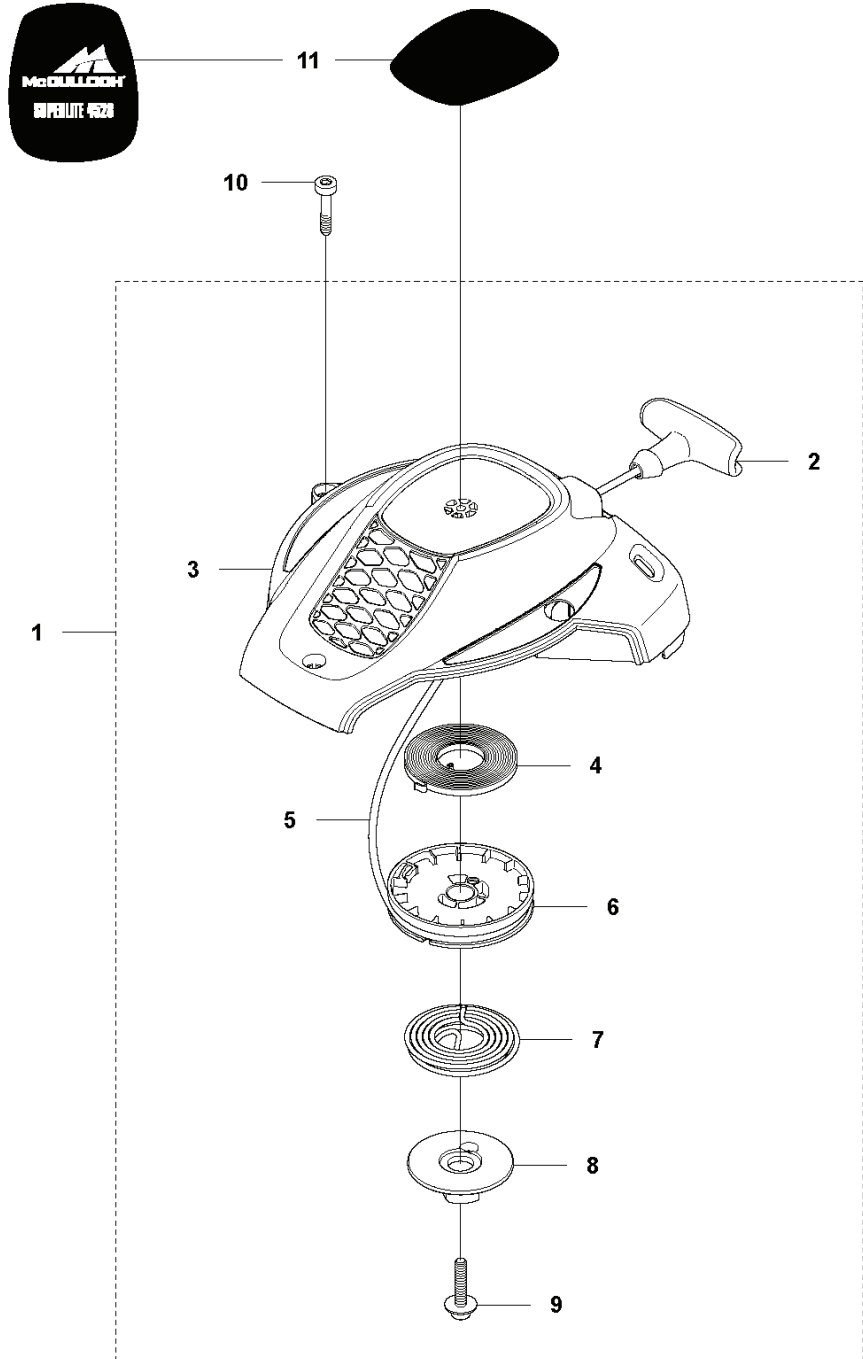
**F** SuperLite 4528  
MUFFLER



---

REF.	PART NO.	DESCRIPTION	REMARK	QTY.	KIT
1	523032601	MUFFLER ASSY		1	
2	525741601	SPARK ARRESTER		1	1
3	504087901	SCREW ITXSCM		1	1
4	522997301	GASKET		1	
5	525755101	SCREW ITXSCFM		2	

**A** Superlite 4528  
STARTER

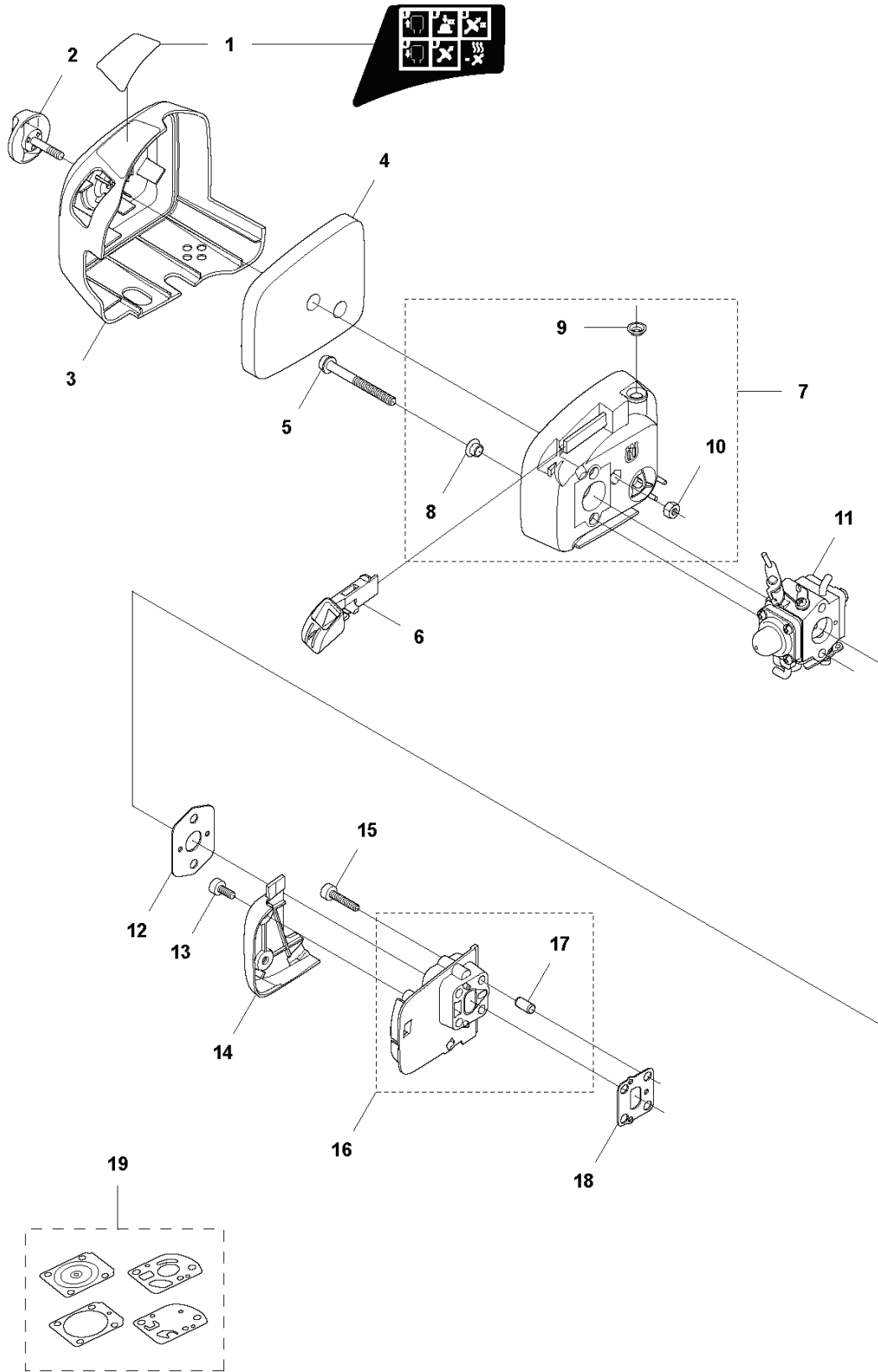


---

REF.	PART NO.	DESCRIPTION	REMARK	QTY.	KIT
1	576637601	STARTER ASSY		1	
2	577271601	STARTER HANDLE		1	1
3	576637701	STARTER HOUSING		1	1
4	575896401	SPRING		1	1
5	574286902	STARTER ROPE		1	1
6	523010701	STARTER PULLEY		1	1
7	523011001	SPRING		1	1
8	523011201	DRIVER		1	1
9	577226103	SCREW ITXSCT		1	1
10	504088001	SCREW ITXSCT		4	
11	578909401	DECAL		1	

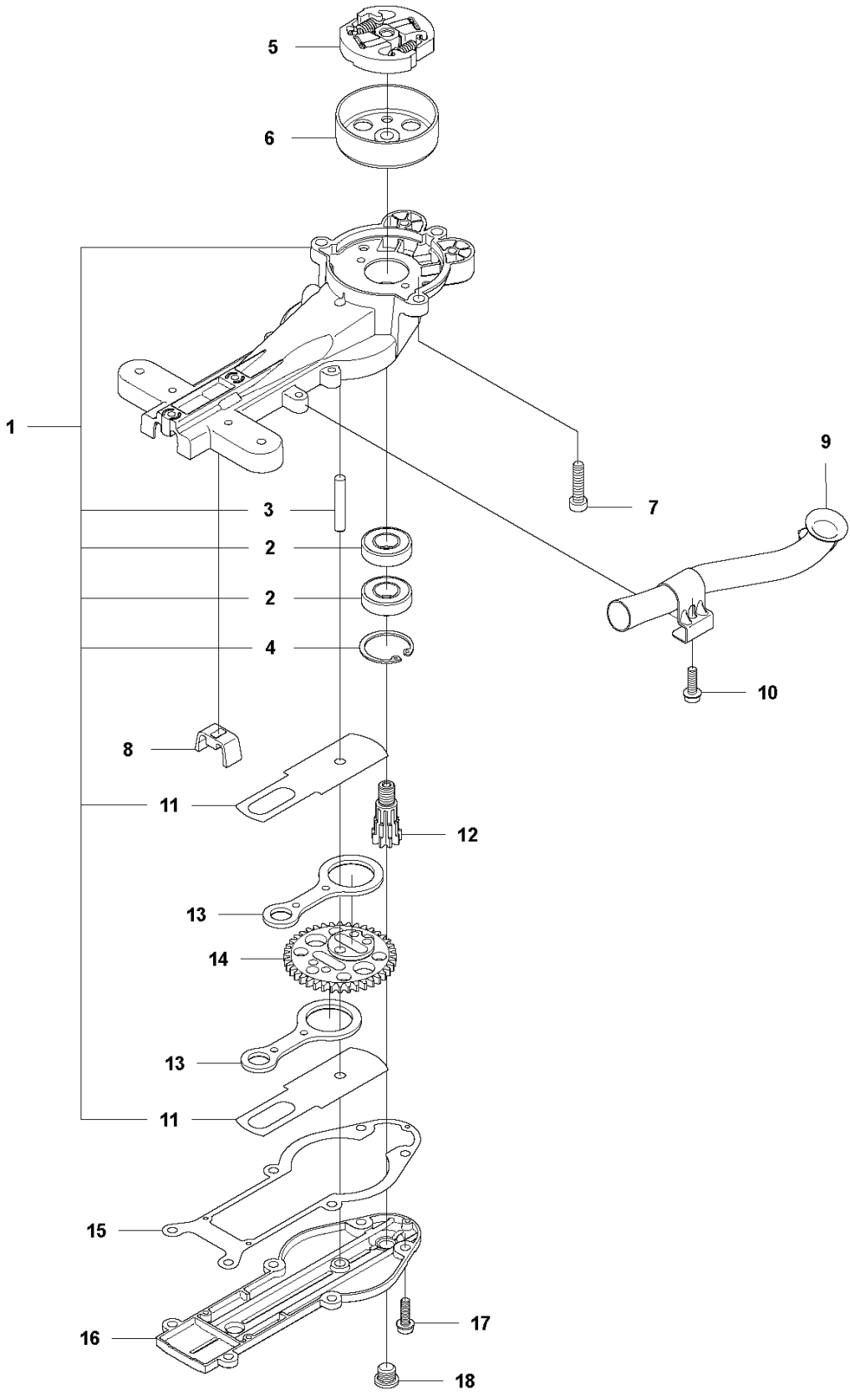


**C SuperLite 4528  
CARBURETOR & AIRFILTER**



REF.	PART NO.	DESCRIPTION	REMARK	QTY.	KIT
1	578909501	DECAL		1	
2	537213202	KNOB		1	
3	576643101	AIR FILTER COVER		1	
4	523013401	AIR FILTER		1	
5	573925802	SCREW ITXSCFT		2	
6	523012501	CHOKE		1	
7	523012702	FILTER HOLDER ASSY		1	
8	544105802	TUBULAR RIVET		2	7
9	544105803	TUBULAR RIVET		1	7
10	731231401	HEXAGON NUT		1	7
11	523012401	CARBURETTOR		1	
12	525548501	GASKET		1	
13	574444002	SCREW ITXSCFT		2	
14	576277502	BRACKET		1	
15	525760904	SCREW ITXSCM		4	
16	525741702	MANIFOLD		1	
17	522911301	TUBULAR RIVET		4	16
18	522918501	GASKET		1	
19	588986001	CARBURETTOR KIT		1	

**L SuperLite 4528  
CLUTCH & GEARBOX**



---

REF.	PART NO.	DESCRIPTION	REMARK	QTY.	KIT
1	597768201	GEAR HOUSING ASSY		1	
2	738210104	BALL BEARING		2	1
3	525528101	PEN		1	1
4	506449301	CIRCLIP		1	1
5	504084701	CLUTCH ASSY		1	
6	525528401	CLUTCH DRUM ASSY		1	
7	544218403	SCREW ITXSCM		3	
8	575659901	GASKET		1	
9	523013601	EXHAUST PIPE ASSY		1	
10	525755101	SCREW ITXSCFM		1	
11	525528201	WEAR PLATE		2	
12	525528901	GEAR WHEEL SHAFT		1	
13	525528701	CONNECTING ROD		2	
14	525528801	GEAR WHEEL		1	
15	525529001	GASKET		1	
16	525528301	HUB CAP		1	
17	525755101	SCREW ITXSCFM		6	
18	575484101	PLUG		1	