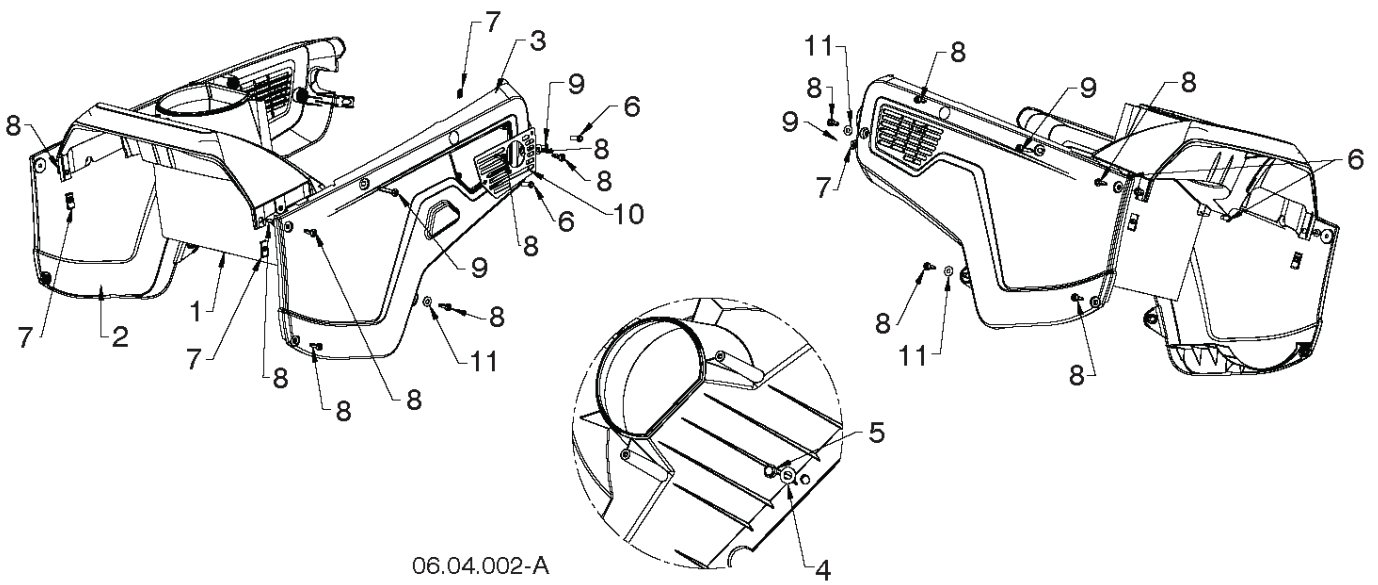


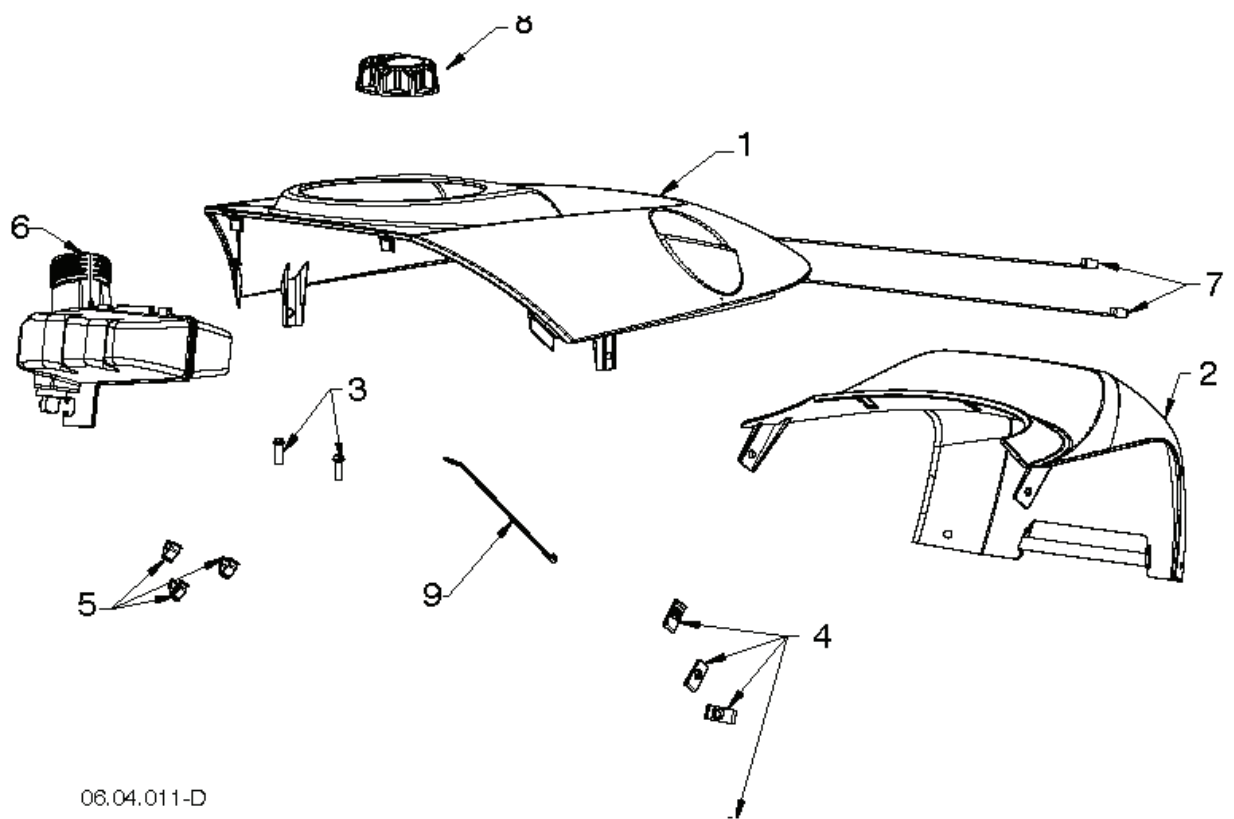
MSB 121E, 96181000804, 2013-04

SPARE PARTS LIST



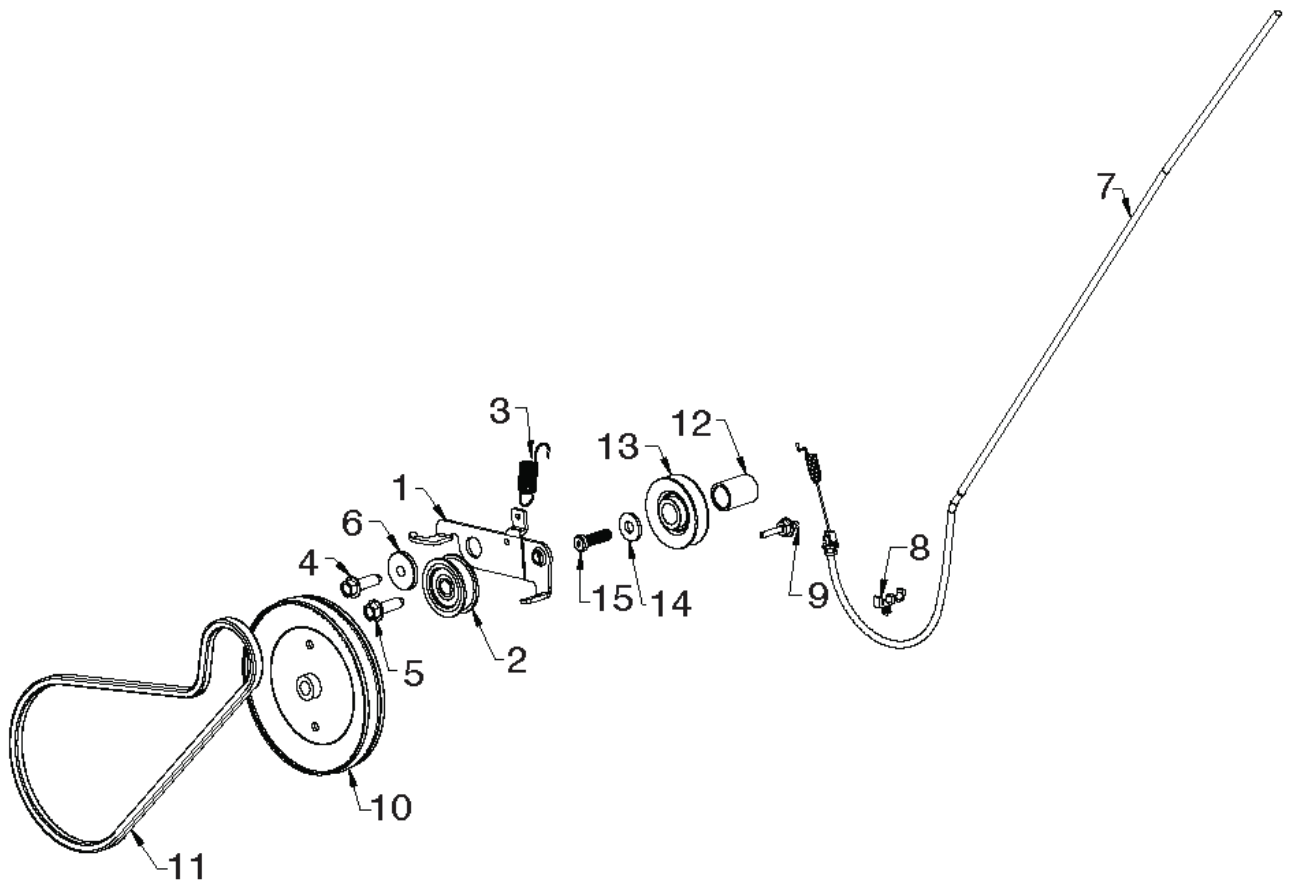
06.04.002-A

| REF. | PART NO. | DESCRIPTION | REMARK | QTY. | KIT |
|------|-----------|-------------|----------------|------|-----|
| 1 | 532443396 | AUGER | | 1 | |
| 2 | 532443397 | COVER | NON-DRIVE SIDE | 1 | |
| 3 | 532443398 | COVER | DRIVE SIDE | 1 | |
| 4 | 819131316 | WASHER | | 1 | |
| 5 | 532428867 | BOLT | | 1 | |
| 6 | 817411312 | SCREW | | 1 | |
| 7 | 532196688 | NUT | | 1 | |
| 8 | 532442250 | SCREW | | 1 | |
| 9 | 532444262 | SCREW | | 1 | |
| 10 | 580833501 | PLATE | | 1 | |
| 11 | 819091016 | WASHER | | 1 | |



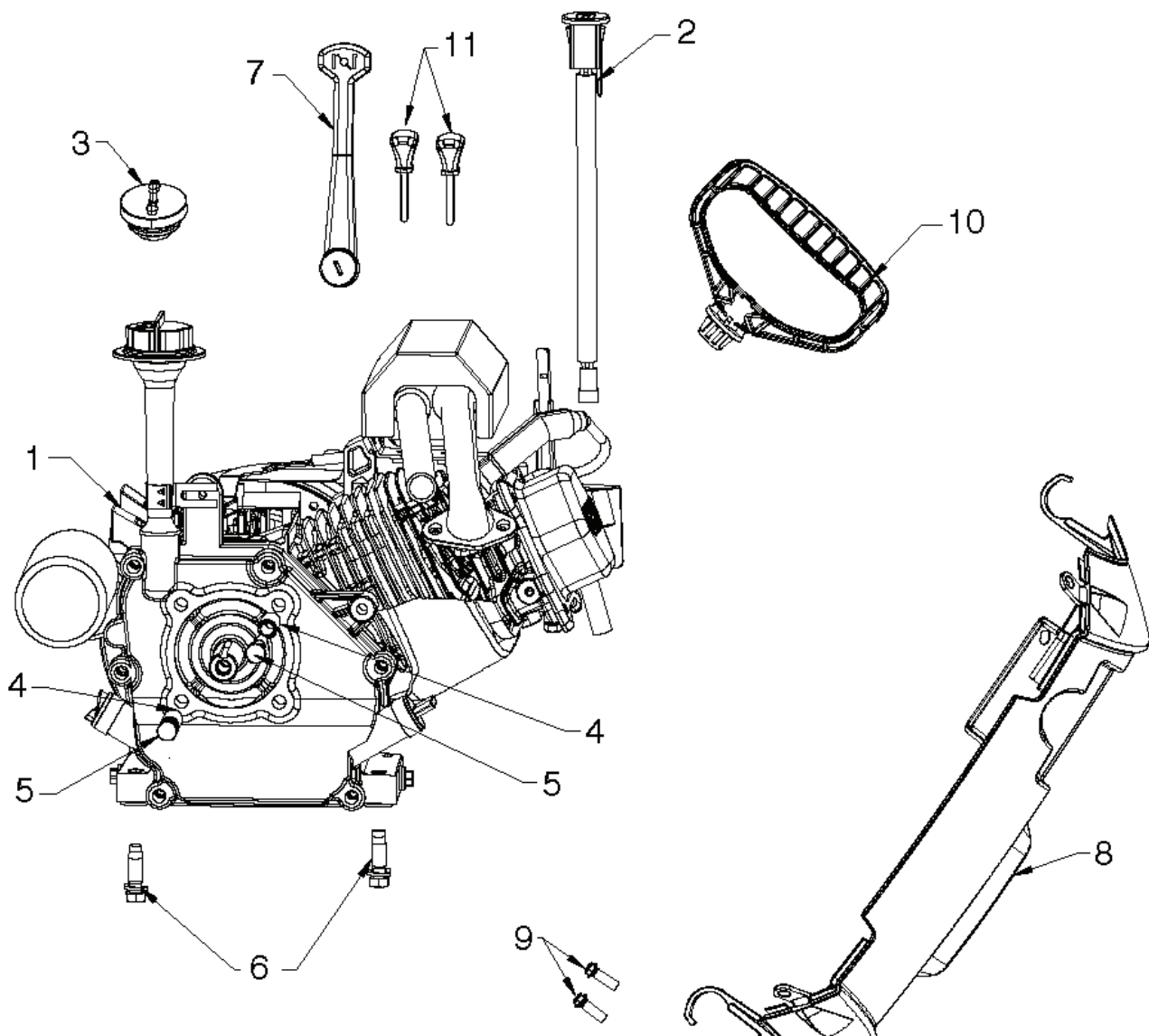
06.04.011-D

| REF. | PART NO. | DESCRIPTION | REMARK | QTY. | KIT |
|------|-----------|---------------|--------|------|-----|
| 1 | 532443399 | COVER KIT | | 1 | |
| 2 | 532437644 | COVER | | 1 | |
| 3 | 817411312 | SCREW | | 1 | |
| 4 | 532196688 | NUT | | 1 | |
| 5 | 532434868 | CLIP | | 1 | |
| 6 | 580982601 | TANK ASSY | | 1 | |
| 7 | 532146848 | TIE WRAP | | 1 | |
| 8 | 581075501 | CAP | | 1 | |
| 9 | 532444649 | CABLE GROMMET | | 1 | |



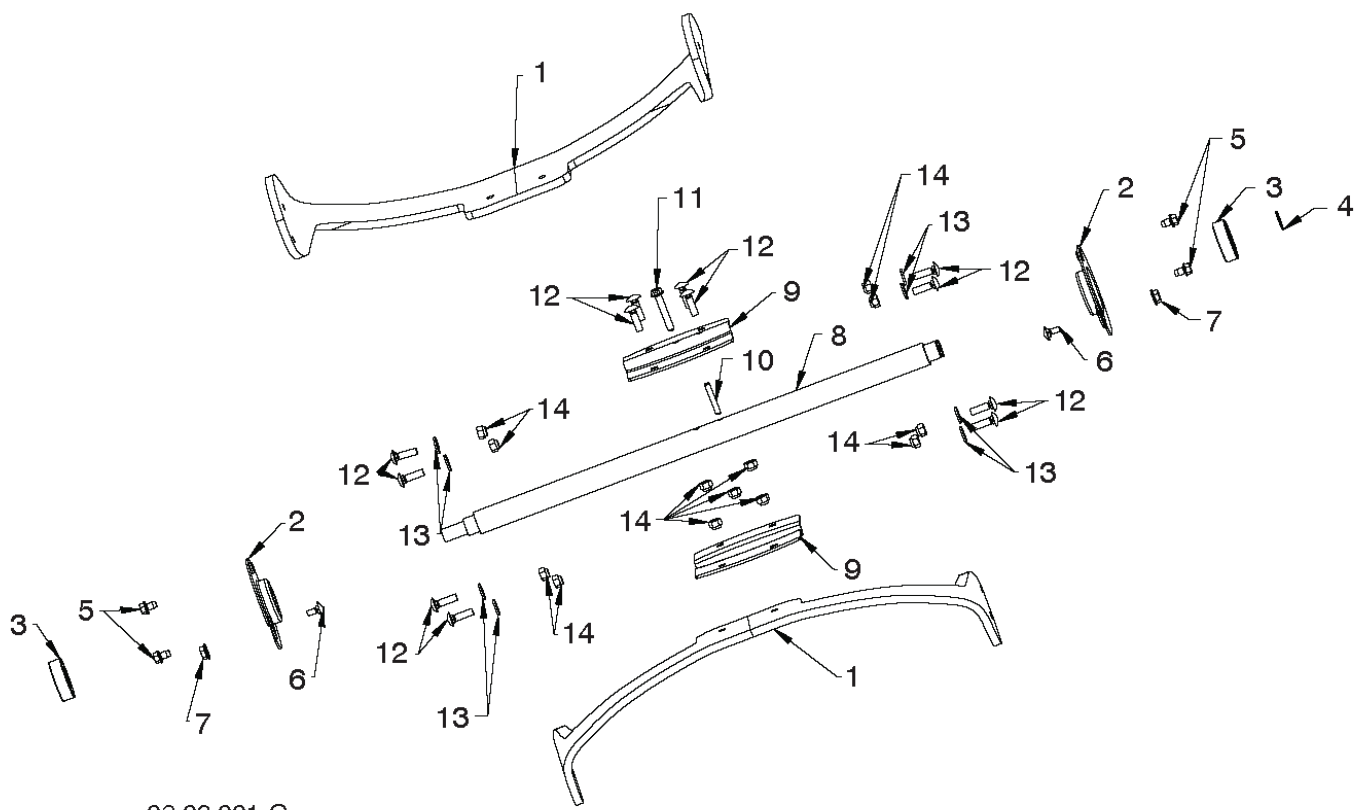
06.01.001-A

| REF. | PART NO. | DESCRIPTION | REMARK | QTY. | KIT |
|------|-----------|-------------|---------------------|------|-----|
| 1 | 580855301 | ARM | | 1 | |
| 2 | 532166043 | PULLEY | | 1 | |
| 3 | 532434859 | SPRING | | 1 | |
| 4 | 817060620 | SCREW | TORQUE 13-18 FT-LBS | 1 | |
| 5 | 817060620 | SCREW | TORQUE 13-18 FT-LBS | 1 | |
| 6 | 532199092 | SPACER | | 1 | |
| 7 | 532443018 | CLUTCH | | 1 | |
| 8 | 532145006 | CLIP | | 1 | |
| 9 | 532434502 | HOLDER | | 1 | |
| 10 | 532435383 | PULLEY | | 1 | |
| 11 | 532437261 | BELT | | 1 | |
| 12 | 532434860 | SPACER | | 1 | |
| 13 | 532426490 | PULLEY | | 1 | |
| 14 | 532851074 | WASHER | | 1 | |
| 15 | 532430817 | BOLT | | 1 | |



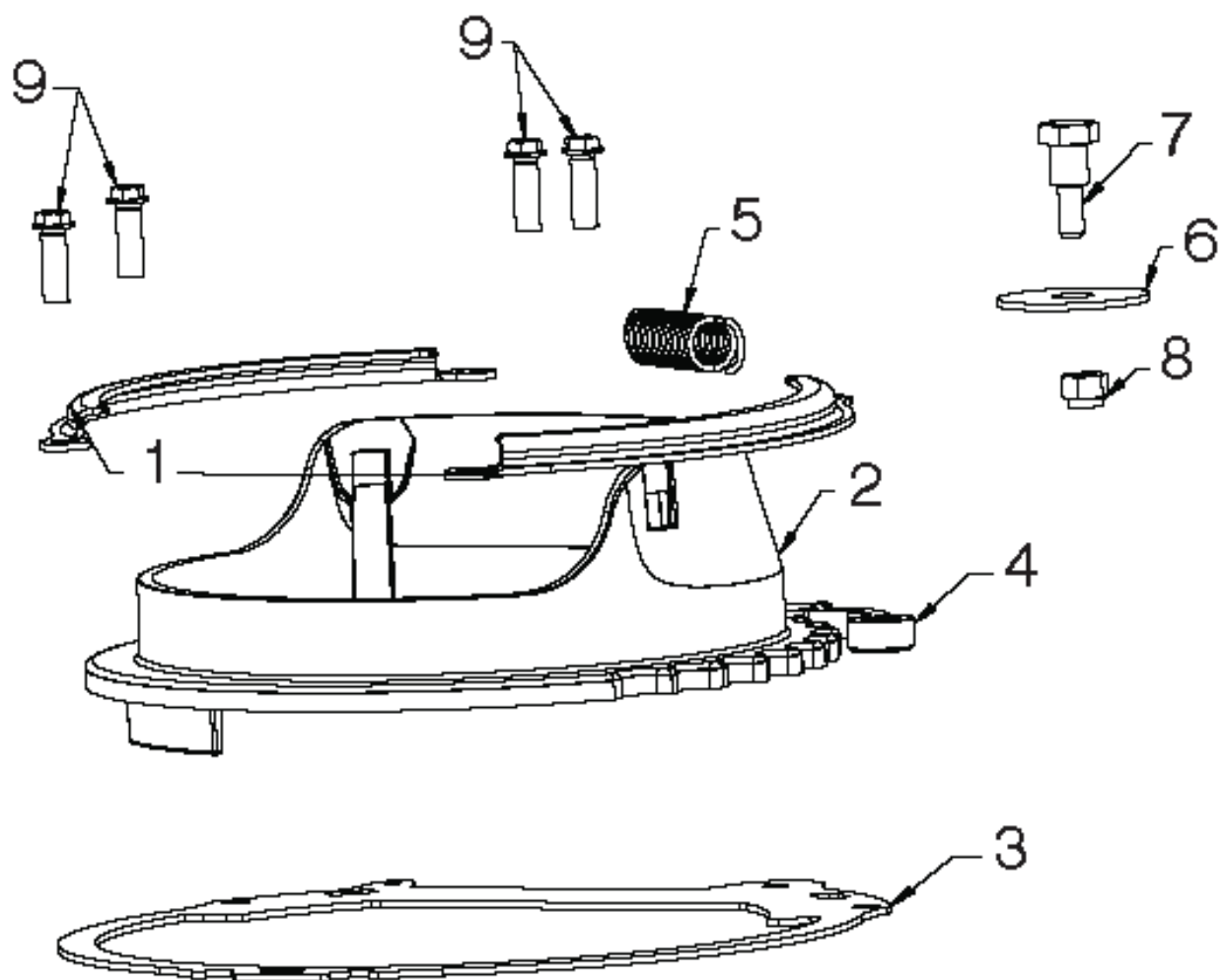
06.02.011-A

| REF. | PART NO. | DESCRIPTION | REMARK | QTY. | KIT |
|------|-----------|----------------|-------------------|------|-----|
| 1 | 580811001 | ENGINE | LCT PW3HK1865018Y | 1 | |
| 2 | 580850201 | SWITCH | | 1 | |
| 3 | 532436235 | PRIMER | | 1 | |
| 4 | 532434857 | SPACER | | 1 | |
| 5 | 532435578 | SCREW | | 1 | |
| 6 | 532150406 | BOLT | | 1 | |
| 7 | 532434874 | LEVER | | 1 | |
| 8 | 532437658 | COVER | | 1 | |
| 9 | 817411312 | SCREW | | 1 | |
| 10 | 532436276 | STARTER HANDLE | | 1 | |
| 11 | 532443059 | KIT | | 1 | |



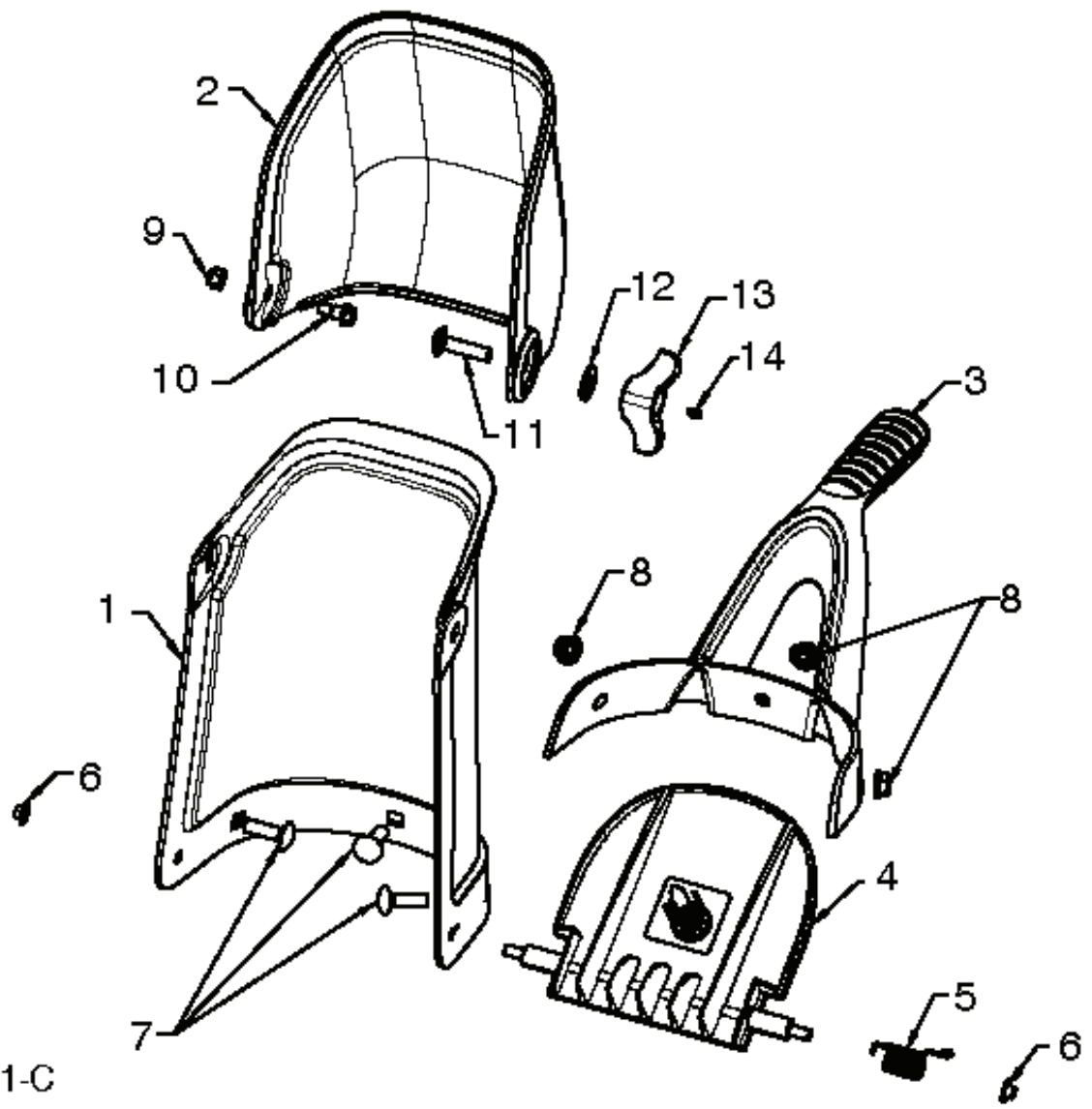
06.03.001-C

| REF. | PART NO. | DESCRIPTION | REMARK | QTY. | KIT |
|------|-----------|-----------------|--------|------|-----|
| 1 | 532442759 | BLADE | | 1 | |
| 2 | 580855501 | BEARING SUPPORT | | 1 | |
| 3 | 532437622 | BEARING | | 1 | |
| 4 | 812000028 | CLIP | | 1 | |
| 5 | 817060408 | SCREW | | 1 | |
| 8 | 532437617 | AUGER | | 1 | |
| 9 | 580855401 | PLATE | | 1 | |
| 10 | 532437620 | PIN | | 1 | |
| 11 | 532199687 | SCREW | | 1 | |
| 12 | 872110407 | BOLT | | 1 | |
| 13 | 819091016 | WASHER | | 1 | |
| 14 | 532132004 | NUT | | 1 | |



06.04.009-A

| REF. | PART NO. | DESCRIPTION | REMARK | QTY. | KIT |
|------|-----------|-------------|--------|------|-----|
| 1 | 532434877 | CHUTE | | 1 | |
| 2 | 580856501 | PLATE | | 1 | |
| 3 | 580856501 | PLATE | | 1 | |
| 4 | 532434878 | ARM | | 1 | |
| 5 | 532434879 | SPRING | | 1 | |
| 6 | 819132416 | WASHER | | 1 | |
| 7 | 532081328 | BOLT | | 1 | |
| 8 | 532132004 | NUT | | 1 | |
| 9 | 817411312 | SCREW | | 1 | |

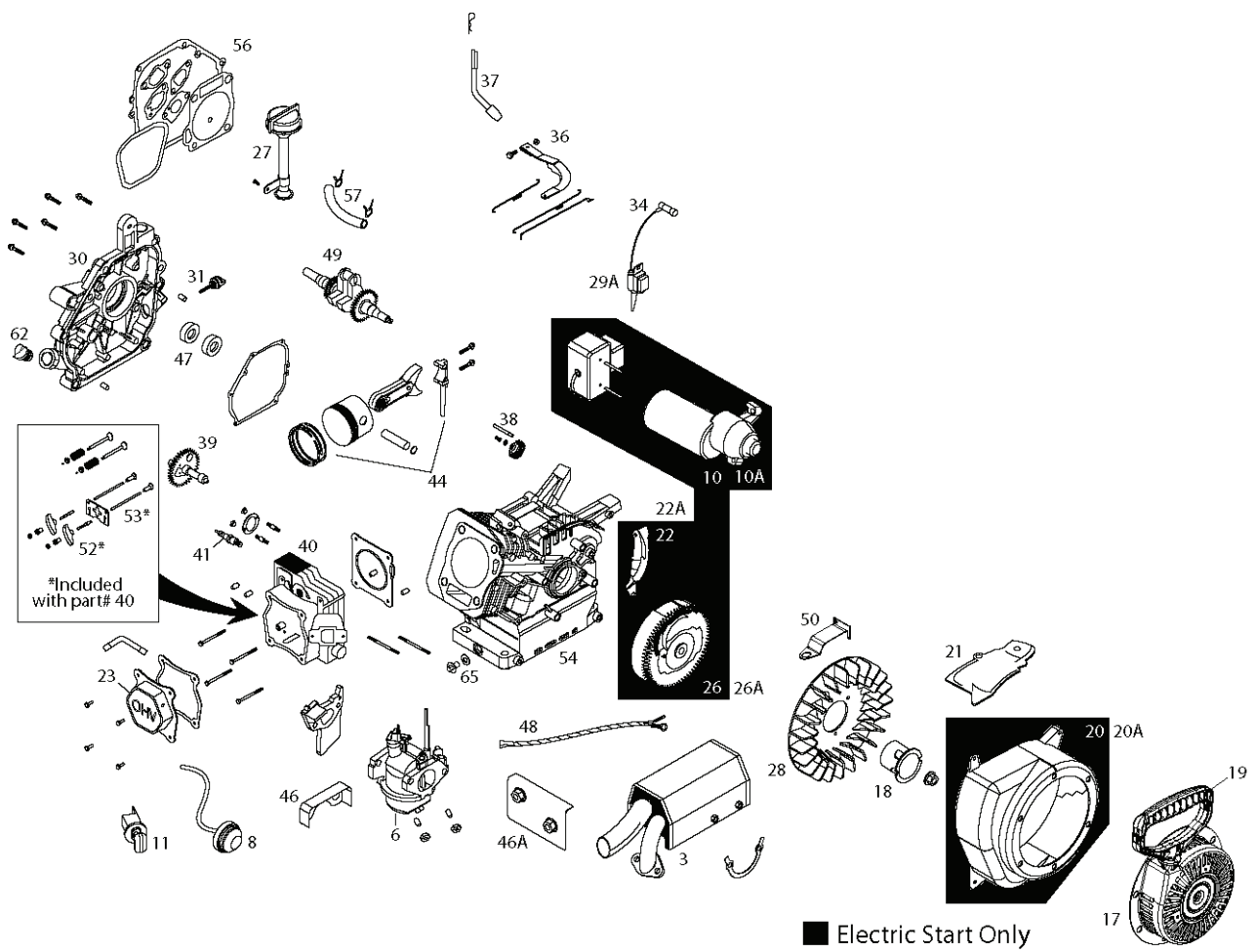


06.05.001-C

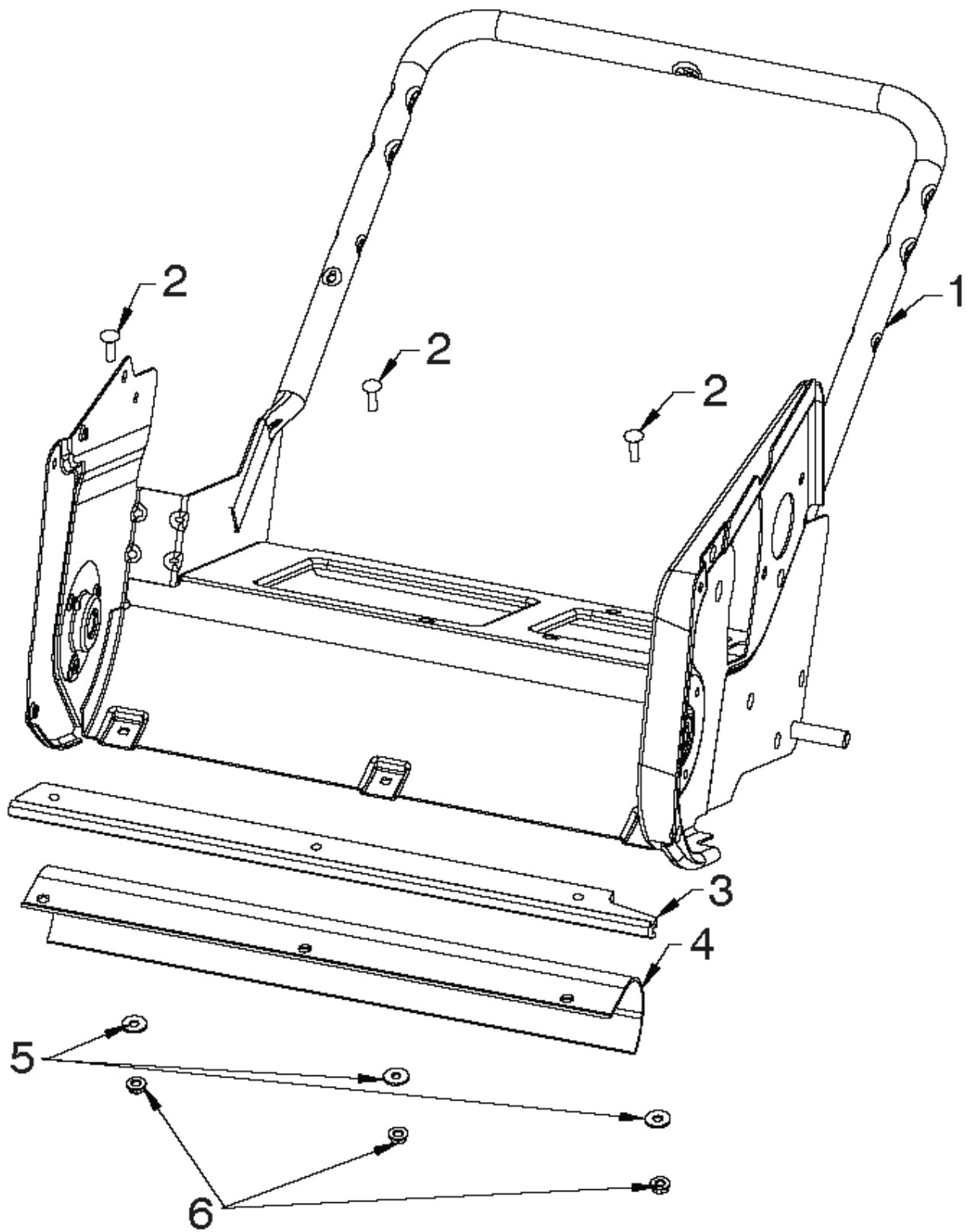
| REF. | PART NO. | DESCRIPTION | REMARK | QTY. | KIT |
|------|-----------|-------------|--------|------|-----|
| 1 | 532437641 | CHUTE | | 1 | |
| 2 | 532437643 | DEFLECTOR | | 1 | |
| 3 | 532437642 | HANDLE | | 1 | |
| 4 | 532437645 | GUARD | | 1 | |
| 5 | 532436622 | SPRING | | 1 | |
| 6 | 532442251 | NUT | | 1 | |
| 7 | 532437318 | BOLT | | 1 | |
| 8 | 873970500 | NUT | | 1 | |
| 9 | 532132004 | NUT | | 1 | |
| 10 | 532444682 | BOLT | | 1 | |
| 11 | 872110510 | BOLT | | 1 | |
| 12 | 819131316 | WASHER | | 1 | |
| 13 | 532191938 | KNOB | | 1 | |
| 14 | 532071673 | COVER | | 1 | |

ENGINE, LCT

COMPLETE ENGINE-580811001

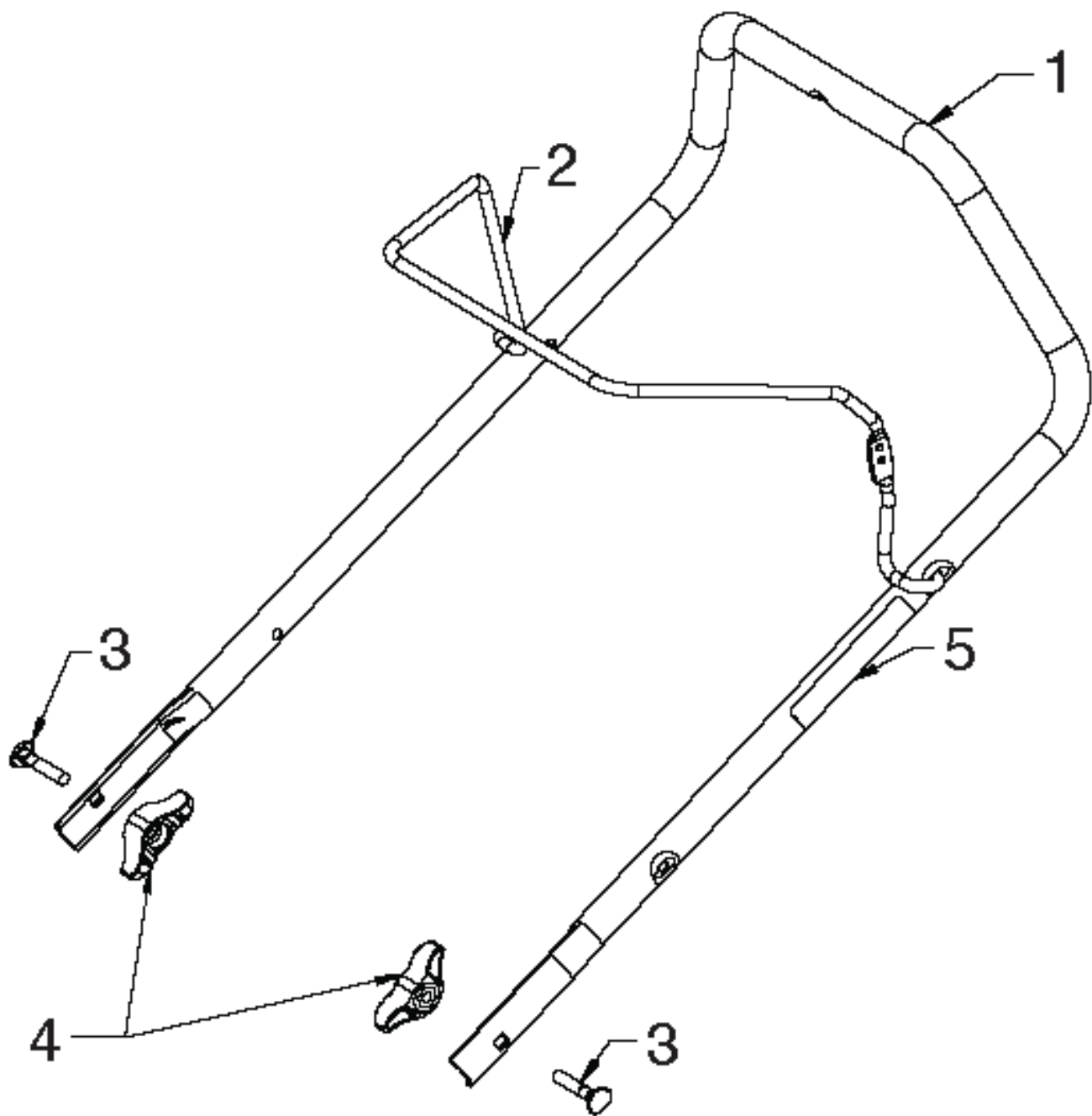


| REF. | PART NO. | DESCRIPTION | REMARK | QTY. | KIT |
|------|-----------|---------------------------------|--------|------|-----|
| 3 | 532444277 | MUFFLER ASSY | | 1 | |
| 6 | 532437122 | CARBURETTOR | | 1 | |
| 8 | 532437123 | BULB | | 1 | |
| 10 | 532437124 | STARTER ASSY | | 1 | |
| 10A | 532437125 | STARTER | | 1 | |
| 11 | 532424954 | KEY START ASSY | | 1 | |
| 17 | 532436967 | RECOIL | | 1 | |
| 18 | 532436968 | CUP | | 1 | |
| 19 | 532424968 | SNOW STARTER CHIP | | 1 | |
| 20 | 532424971 | BLOWHSG ASSY ELEC | | 1 | |
| 20A | 532429230 | BLOWER HOUSING, ELECTRIC.BLACK | | 1 | |
| 21 | 532424973 | SHIELD FLYWHEEL SYS | | 1 | |
| 22 | 532424975 | SHLD ELEC START FLYWHEEL | | 1 | |
| 22A | 532429596 | SHIELD, FLYWHEEL - MANUAL START | | 1 | |
| 23 | 532420580 | VALVE COVER SERVICE KIT | | 1 | |
| 26 | 532429235 | FLYWHEEL ASSY | | 1 | |
| 26A | 532420585 | FLYWHEEL | | 1 | |
| 27 | 532444091 | TUBE | | 1 | |
| 28 | 532420586 | FLYWHEEL | | 1 | |
| 29A | 532443934 | IGNITION COIL | | 1 | |
| 30 | 532420606 | CRANKCASE | | 1 | |
| 31 | 532420961 | DIPSTICK | | 1 | |
| 34 | 532436966 | BOOT | | 1 | |
| 36 | 532420601 | GOVERNOR ARM SERVICE KIT | | 1 | |
| 37 | 532420602 | GOVERNOR | | 1 | |
| 38 | 532429646 | GEAR | | 1 | |
| 39 | 532420584 | CAMSHAFT | | 1 | |
| 40 | 532420578 | CYLINDER HEAD | | 1 | |
| 41 | 532424939 | SPARK PLUG | | 1 | |
| 44 | 532420582 | PISTON ASSY | | 1 | |
| 46 | 532429260 | SHIELD | | 1 | |
| 46A | 532444275 | SHIELD | | 1 | |
| 47 | 532429599 | SEAL KIT | | 1 | |
| 48 | 532444276 | HARNESS | | 1 | |
| 49 | 532429600 | CRANKSHAFT | | 1 | |
| 50 | 532429259 | SPEED CONTROL BRACKET | | 1 | |
| 52 | 532429691 | ARM | | 1 | |
| 53 | 532420579 | PUSH ROD SERVICE KIT | | 1 | |
| 54 | 532436567 | CYLINDER | | 1 | |
| 56 | 532429601 | GASKET KIT | | 1 | |
| 57 | 532438014 | HOSE KIT | | 1 | |
| 62 | 532429598 | NON REMOVABLE PLUG | | 1 | |
| 65 | 532435495 | OIL PLUG | | 1 | |



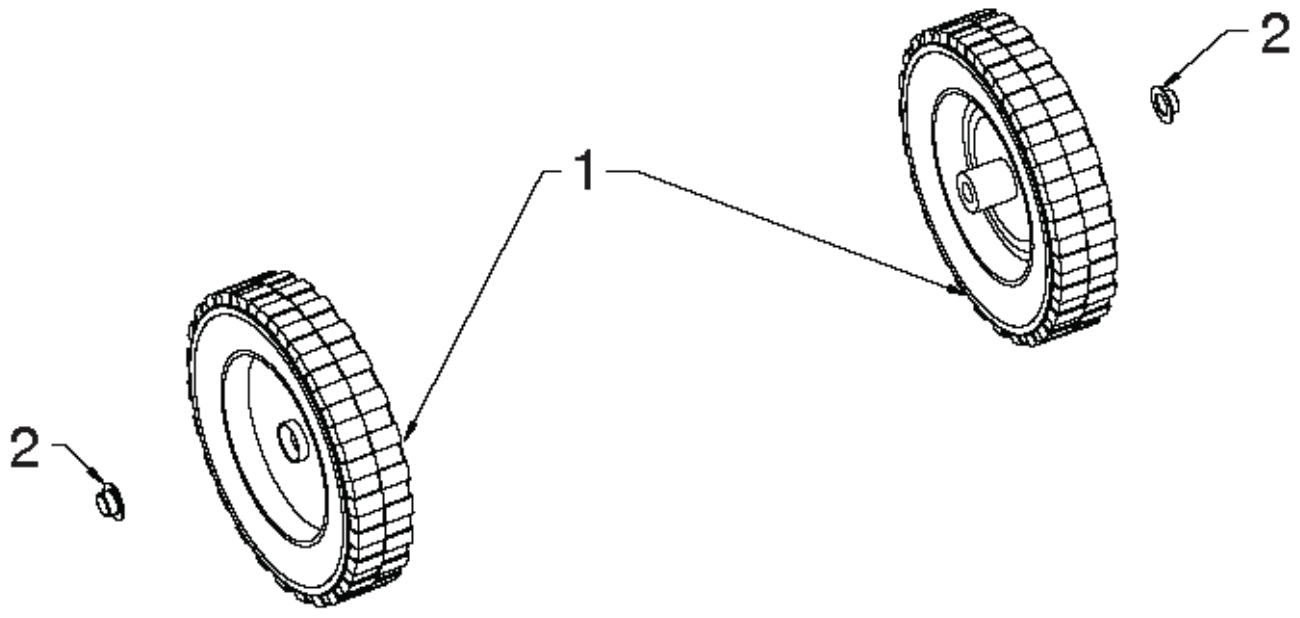
06.00.001-A

| REF. | PART NO. | DESCRIPTION | REMARK | QTY. | KIT |
|------|-----------|-------------|--------|------|-----|
| 1 | 580856201 | FRAME ASSY | | 1 | |
| 2 | 872110407 | BOLT | | 1 | |
| 3 | 580502601 | SCRAPER | | 1 | |
| 4 | 532442146 | SCRAPER | | 1 | |
| 5 | 819091216 | WASHER | | 1 | |
| 6 | 532191730 | NUT | | 1 | |



06.07.004-A

| REF. | PART NO. | DESCRIPTION | REMARK | QTY. | KIT |
|------|-----------|-------------|--------|------|-----|
| 1 | 580856801 | HANDLE | | 1 | |
| 2 | 532444646 | BAIL | | 1 | |
| 3 | 532191574 | SCREW | | 1 | |
| 4 | 532191938 | KNOB | | 1 | |
| 5 | 532437506 | DECAL | | 1 | |



06.06.006-A

| REF. | PART NO. | DESCRIPTION | REMARK | QTY. | KIT |
|------|-----------|-------------|--------|------|-----|
| 1 | 532437662 | WHEEL | | 1 | |
| 2 | 532435417 | NUT | | 1 | |