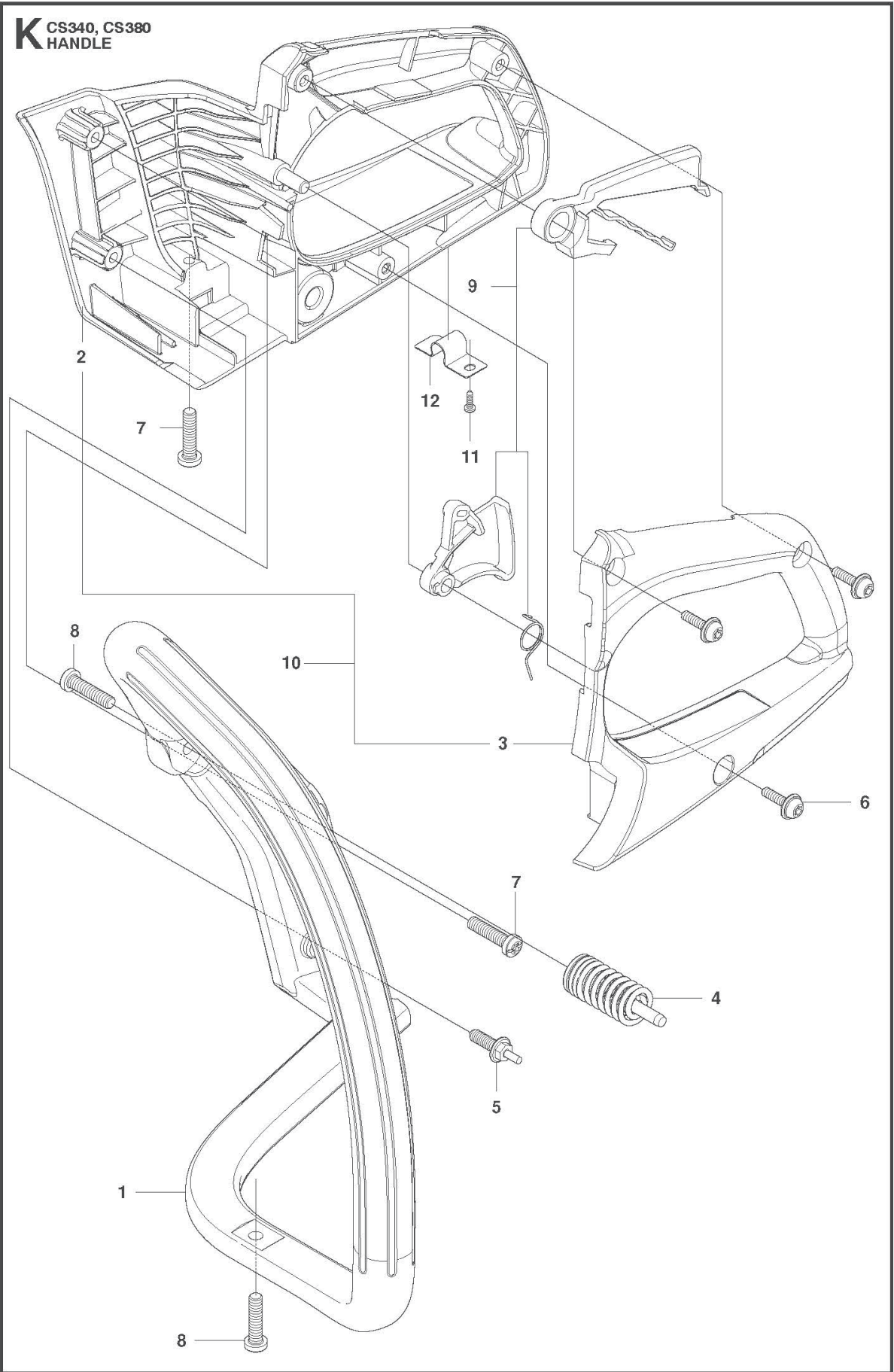


301, 967326303, 967326304, 967326307, 96

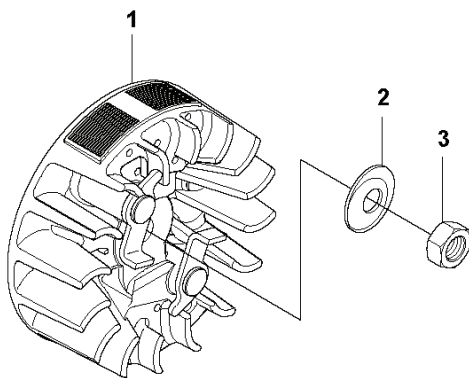
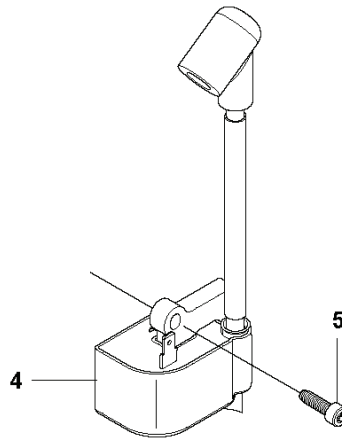
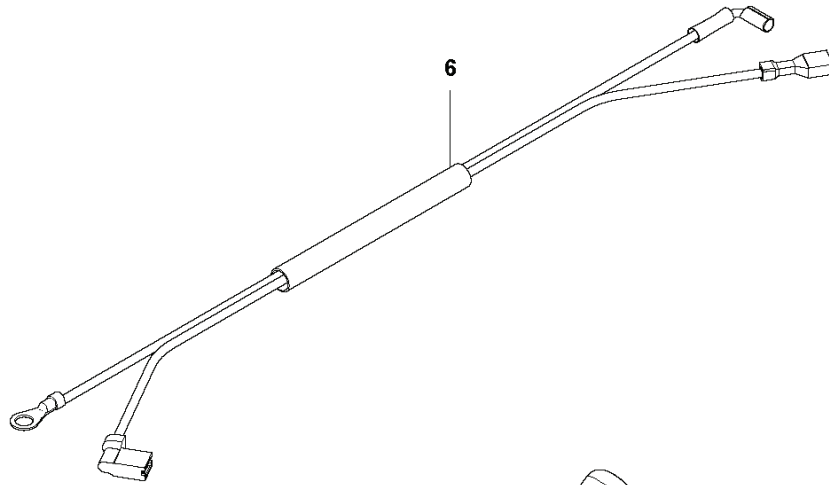
SPARE PARTS LIST

K CS340, CS380
HANDLE



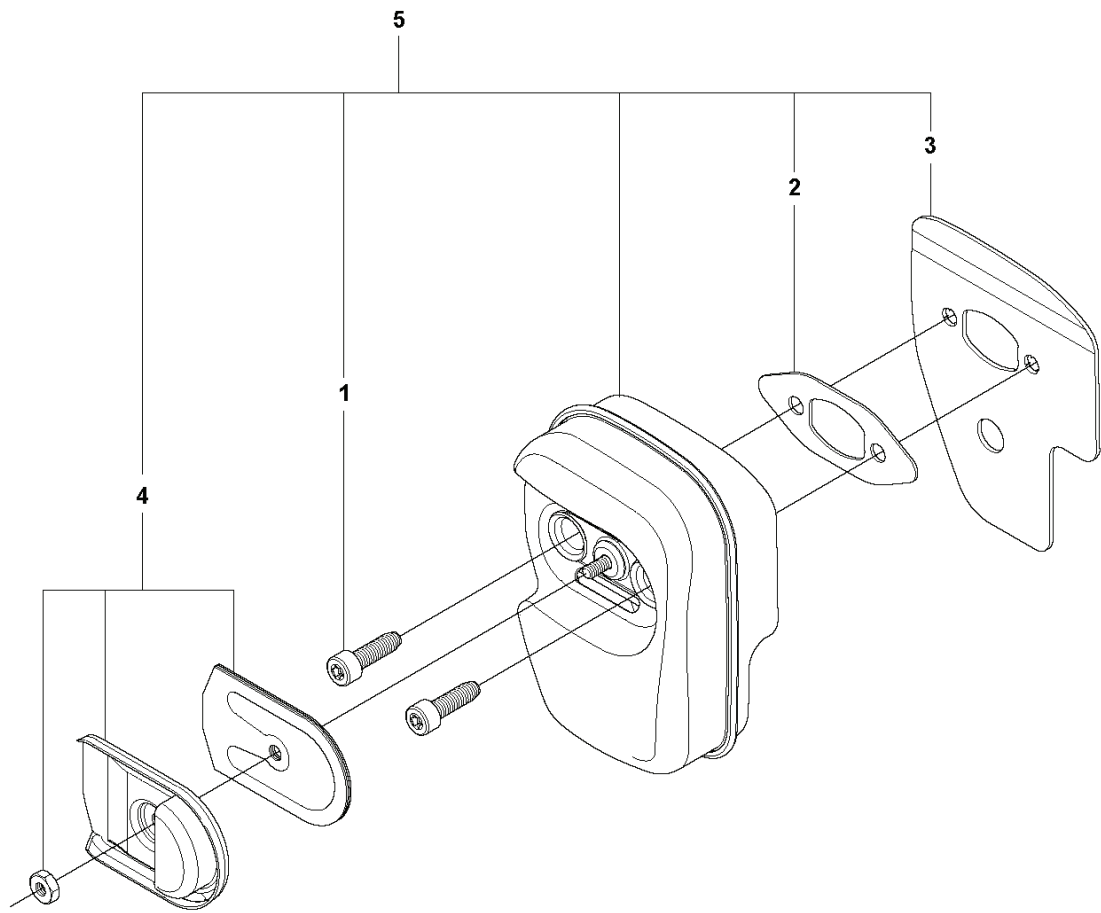
REF.	PART NO.	DESCRIPTION	REMARK	QTY.	KIT
1	576025401	FRONT HANDLE		1	
2	576025501	REAR HANDLE		1	10
3	576025701	COVER		1	10
4	577540801	CYLINDER ASSY		1	
5	576808301	SCREW		1	
6	530016433	SCREW		3	
7	530016349	SCREW		2	
8	530016432	SCREW		2	
9	577821901	KIT		1	
10	577830001	KIT		1	
11	545227101	SCREW		1	
12	576389301	CLIP		1	

M CS340, CS380
IGNITION SYSTEM



REF.	PART NO.	DESCRIPTION	REMARK	QTY.	KIT
1	575635502	FLYWHEEL		1	
2	530015127	WASHER		1	
3	530016134	NUT		1	
4	575803501	MODULE		1	
5	545121901	SCREW		2	
6	545079901	ASSY- WIRE HARNESS		1	

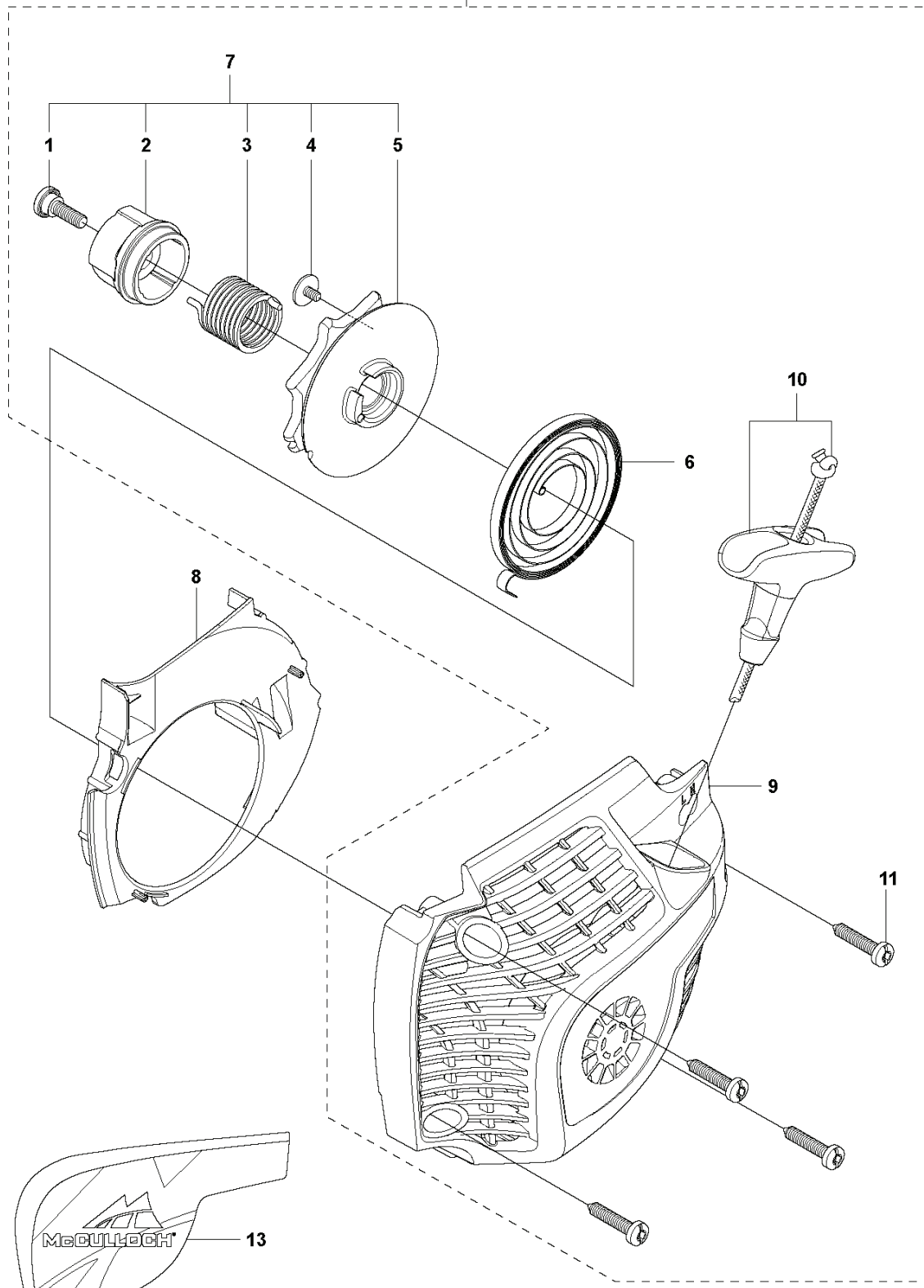
F CS340, CS380
MUFFLER



REF.	PART NO.	DESCRIPTION	REMARK	QTY.	KIT
1	530016338	BOLT		2	5
2	530054884	MUFFLER GASKET		1	5
3	545066901	MUFFLER BACK PLATE		1	5
4	545008027	KIT		1	5
5	545180843	MUFFLER		1	

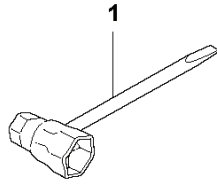
N CS340, CS380
STARTER

12



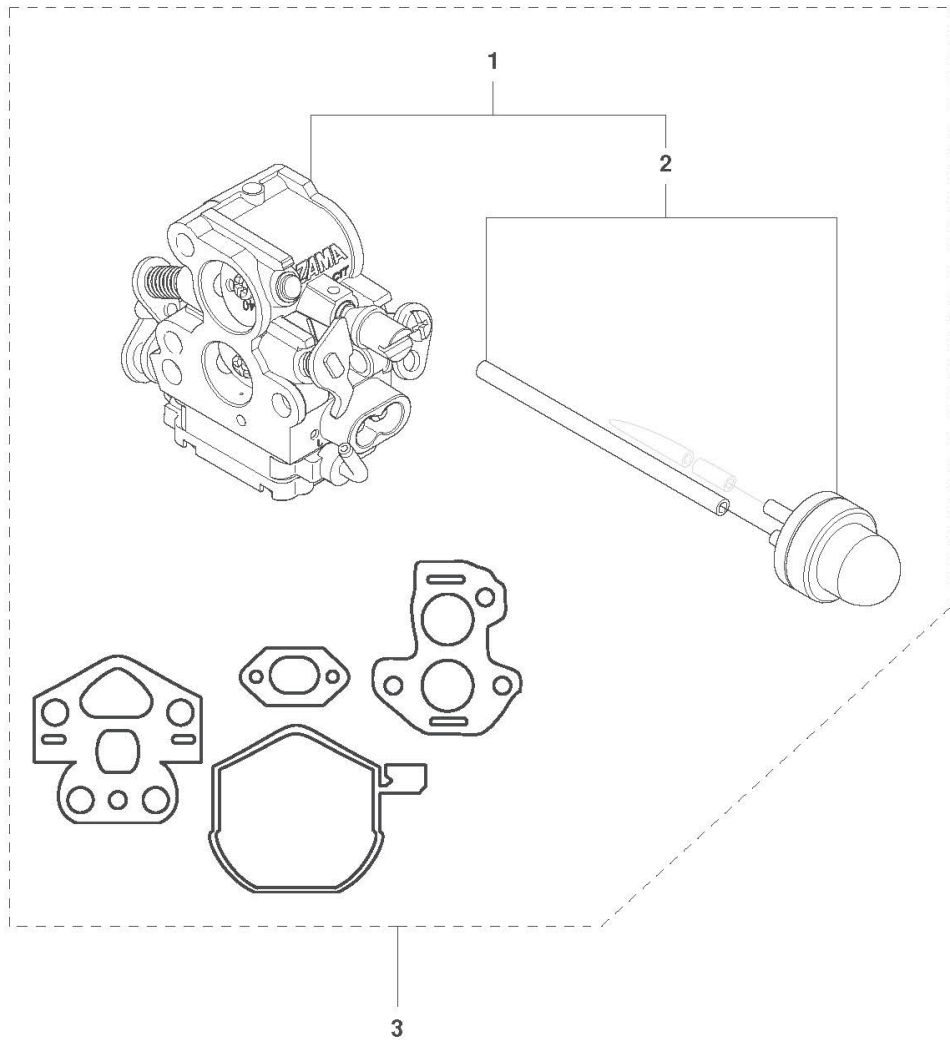
REF.	PART NO.	DESCRIPTION	REMARK	QTY.	KIT
1	530021179	SCREW		1	7,12
2	530059677	SLEEVE		1	7,12
3	530021180	SPRING		1	7,12
4	530016080	SCREW		1	7,12
5	545058201	PULLEY		1	7,12
6	530042095	SPRING		1	12
7	545180812	KIT		1	12
8	575942801	BAFFLE		1	
9	575942301	HOUSING		1	12
10	576431301	HANDLE		1	12
11	530016432	SCREW		4	12
12	577162501	KIT		1	
13	576807501	DECAL		1	

Q CS340, CS380
ACCESSORIES



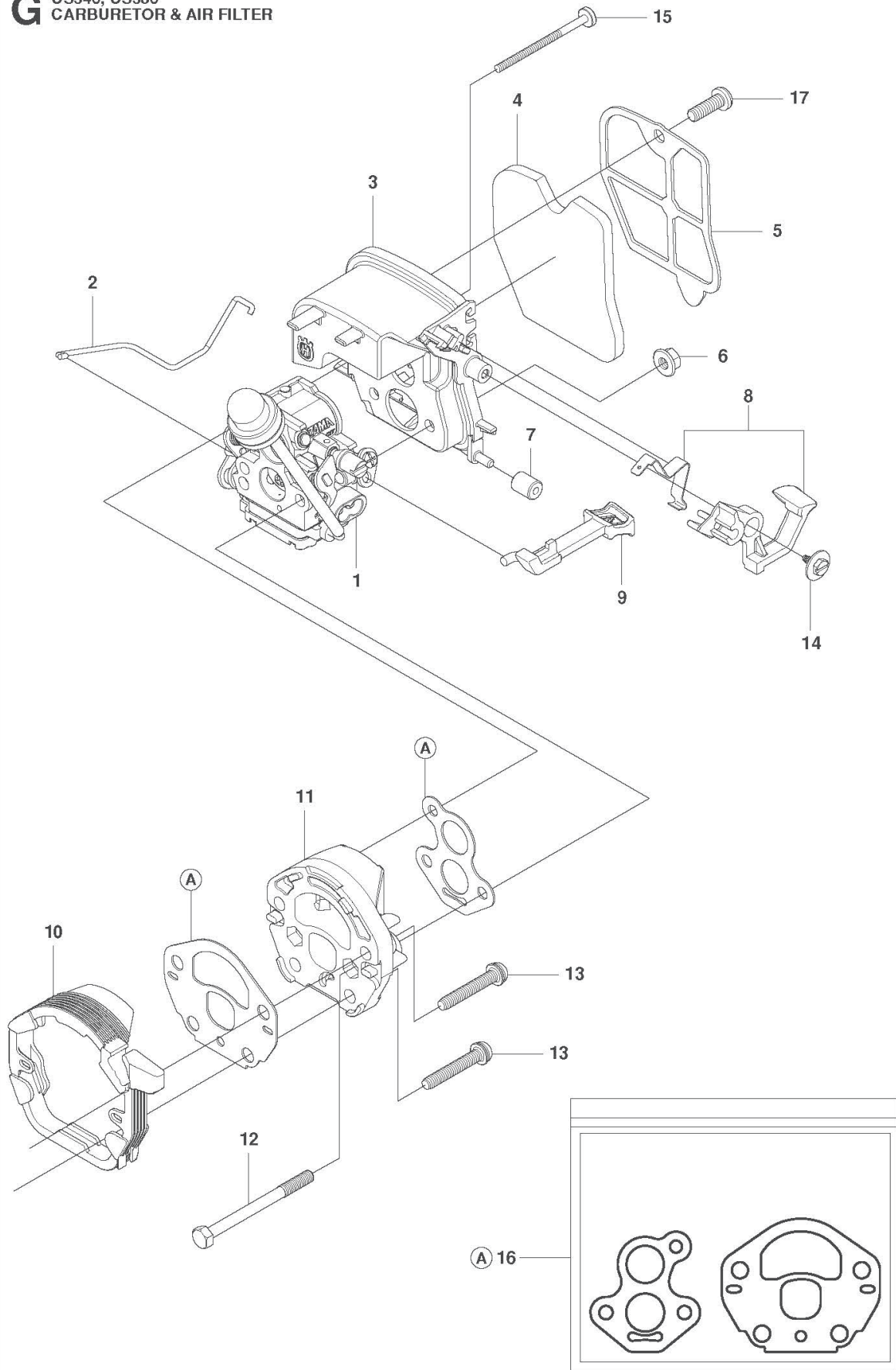
REF.	PART NO.	DESCRIPTION	REMARK	QTY.	KIT
1	576865901	COMBINATION WRENCH		1	

P CS340, CS380
CARBURETOR



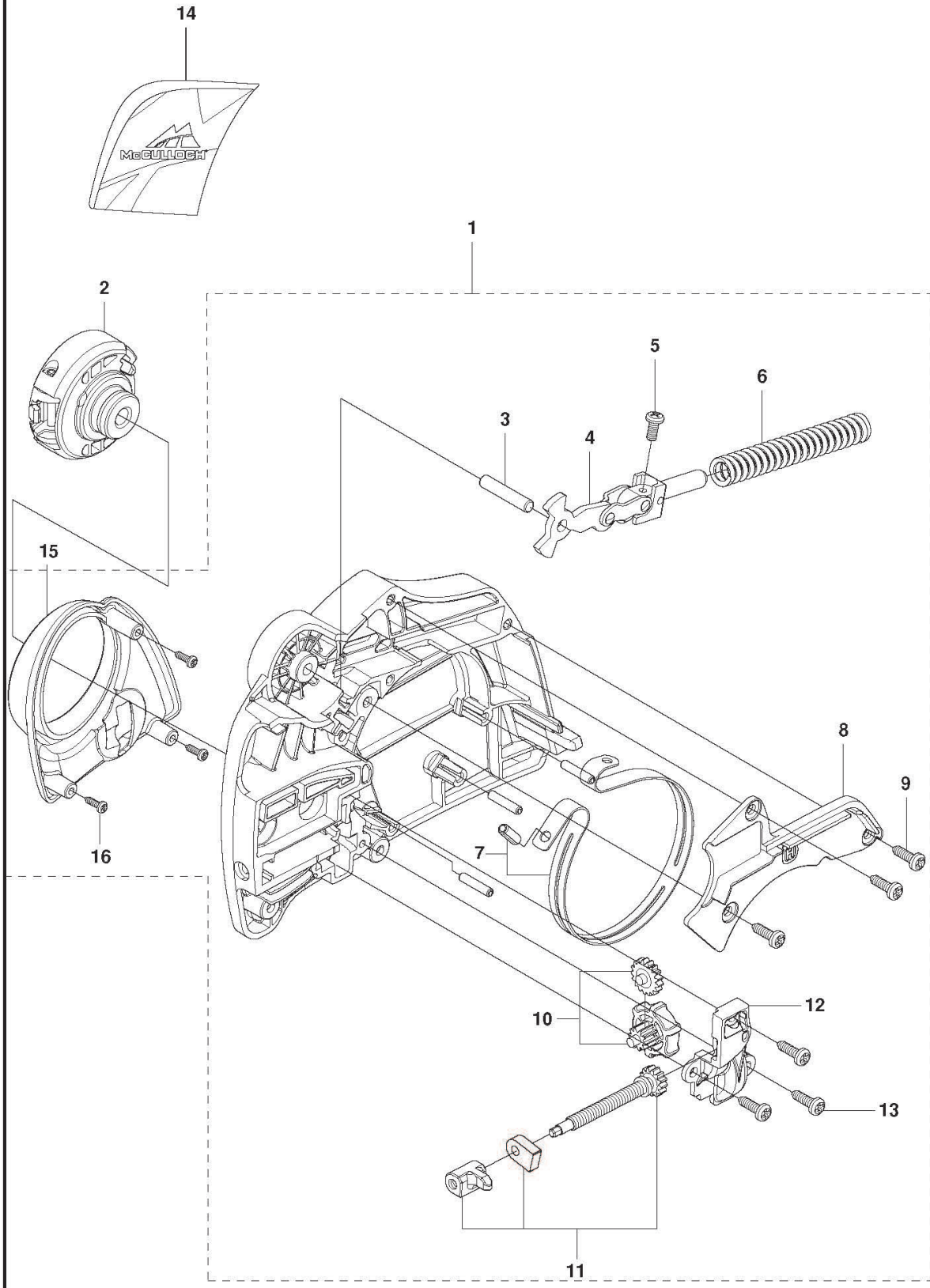
REF.	PART NO.	DESCRIPTION	REMARK	QTY.	KIT
1	586936202	CARBURETTOR		1	
2	545008030	PURGE AND LINE ASSEMBLY		1	1
3	587609701	KIT		1	

G CS340, CS380
CARBURETOR & AIR FILTER



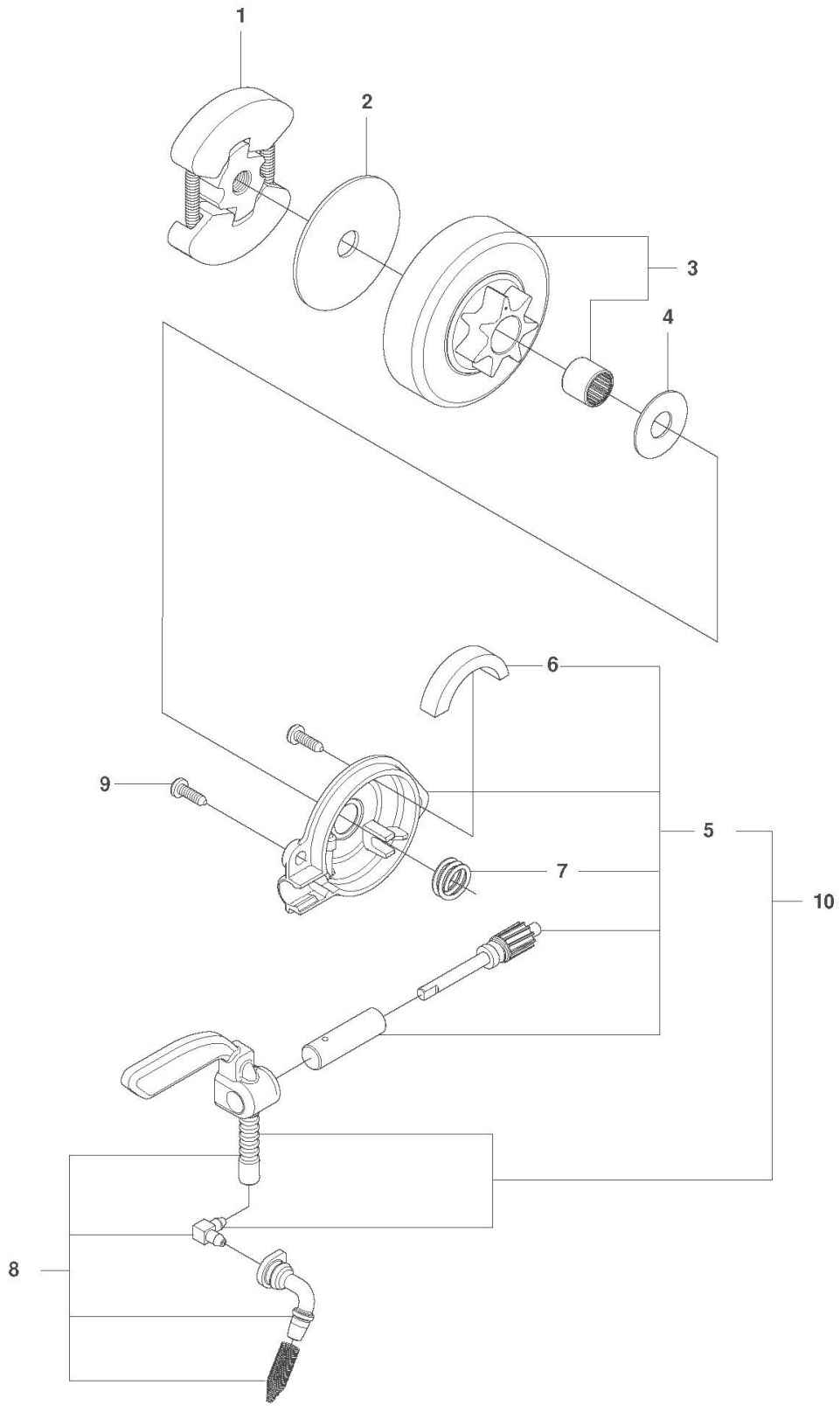
REF.	PART NO.	DESCRIPTION	REMARK	QTY.	KIT
1	586936202	CARBURETTOR		1	
2	577815201	THROTTLE		1	
3	575493401	AIR FILTER		1	
4	545061801	AIR FILTER		1	
5	545151801	FILTER		1	
6	530016101	NUT		2	
7	545061901	ISOLATOR		1	
8	577830701	KIT		1	
9	545061601	CHOKE KNOB		1	
10	545061501	CARB ADAPTOR SEAL		1	
11	577636501	ADAPTOR		1	
12	545033701	STUD-CARBURETOR		2	
13	545158301	CARB ADAPTOR SCREW		4	
14	530016080	SCREW		1	
15	545074901	TOP STUD-CARBURETOR		1	
16	545081892	GASKET KIT		1	
17	530016349	SCREW		1	

A1 CS380
CHAIN BRAKE & CLUTCH COVER



REF.	PART NO.	DESCRIPTION	REMARK	QTY.	KIT
1	576449301	CHAIN BRAKE		1	
2	579107301	KNOB		1	
3	530057950	PIN, DOWEL		1	1
4	530057940	ASSY. FRONT LINK		1	1
5	574780301	SCREW		1	1
6	530016415	SPRING COMPRESSION		1	1
7	577830201	KIT		1	1
8	545071002	COVER		1	1
9	545227101	SCREW		3	1
10	577830301	KIT		1	1
11	577830401	KIT		1	1
12	545059202	COVER		1	1
13	545227101	SCREW		3	1
14	576807801	DECAL		1	
15	576082301	HEAT SHIELD		1	1
16	545227101	SCREW		3	1

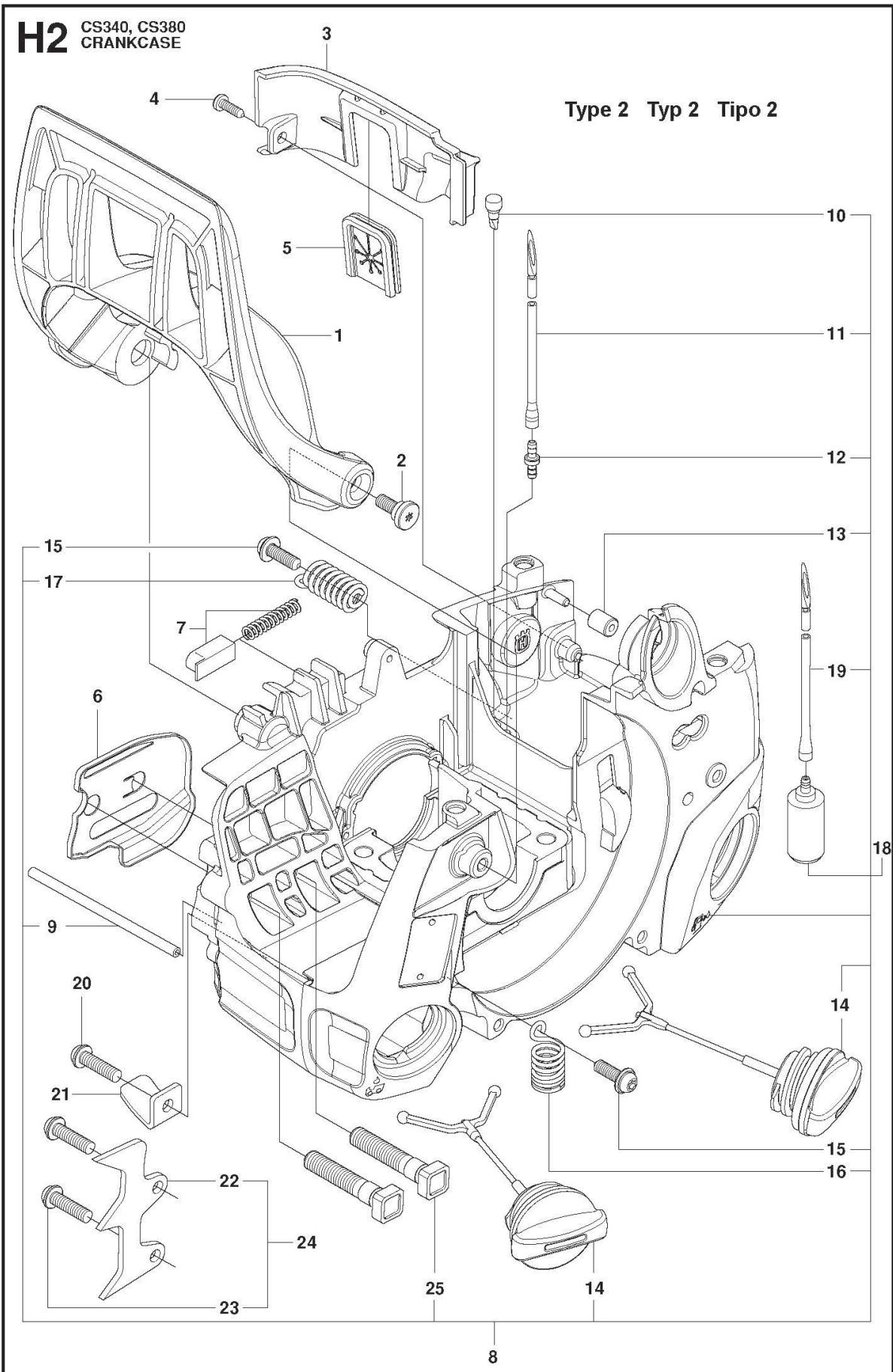
B CS340, CS380
CLUTCH & OIL PUMP



REF.	PART NO.	DESCRIPTION	REMARK	QTY.	KIT
1	530014949	CLUTCH		1	
2	530015611	WASHER		1	
3	530047061	CLUTCH DRUM ASSY		1	
4	579621501	WASHER		1	
5	581063901	OIL PUMP ASSY		1	
6	525318401	DUST SEAL		1	5
7	530037820	WORM GEAR		1	5
8	577830501	KIT		1	
9	530016064	SCREW		2	
10	581063901	OIL PUMP ASSY		1	

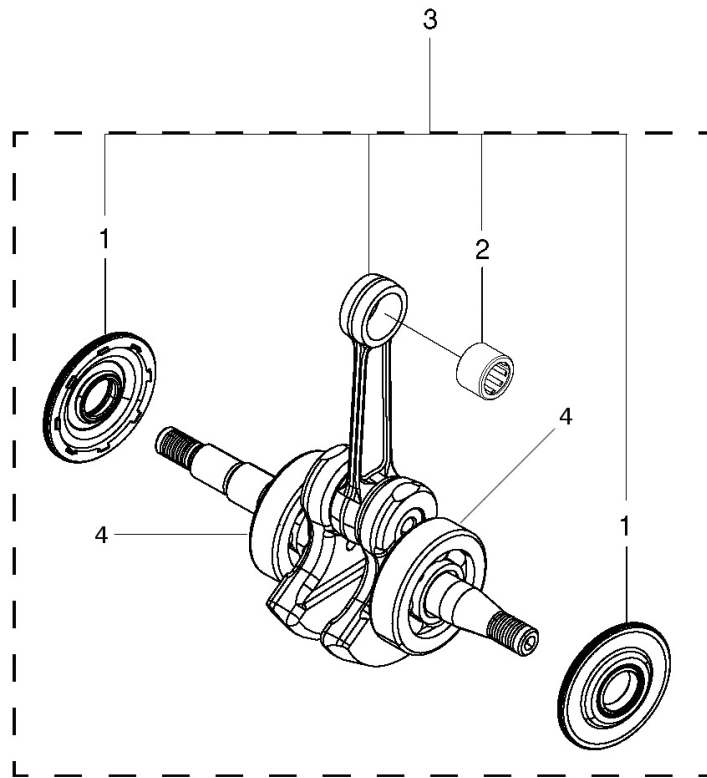
H2 CS340, CS380
CRANKCASE

Type 2 Typ 2 Tipo 2



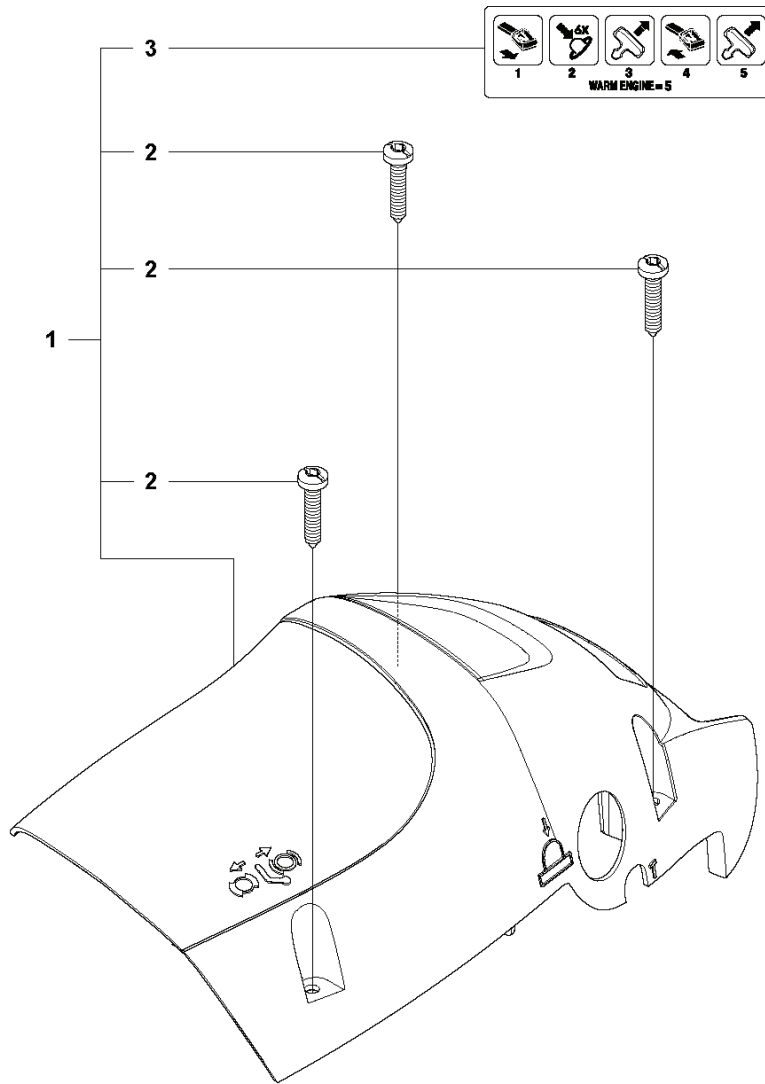
REF.	PART NO.	DESCRIPTION	REMARK	QTY.	KIT
1	575943601	HAND GUARD		1	
2	545127301	BOSS		1	
3	576141001	WALL		1	
4	545227101	SCREW		1	
5	545075401	GROMMET		1	
6	545071401	BAR		1	
7	577830901	KIT		1	
8	577831203	KIT	TYPE/TYP/TIPO 2	1	
9	545033501	HOSE		1	8
10	530026119	CHECK VALVE		1	8
11	530021132	LINE-RETURN PURGE		1	8
12	530023877	NIPPLE		1	8
13	545061901	ISOLATOR		1	8
14	544111202	TANK CAP ASSY		1	8
15	530015906	SCREW		2	8
16	545033801	ISOLATOR		1	8
17	577540601	SPRING		1	8
18	530095646	FILTER		1	
19	581853501	FUEL HOSE		1	8
20	530015814	SCREW		1	
21	530029850	CHAIN CATCHER		2	
22	530038990	FELLING DOG		1	24
23	530016439	SCREW		2	24
24	530014381	FELLING DOG		1	
25	529310301	BOLT		1	8

E2 CS340, CS380
CRANK SHAFT



REF.	PART NO.	DESCRIPTION	REMARK	QTY.	KIT
1	581608001	SEAL		1	
2	574449401	ASSEMBLY		1	
3	577830802	KIT	CRANKSHAFT W / HARDMOUNT BEARINGS	1	
4	585621401	BEARING		1	

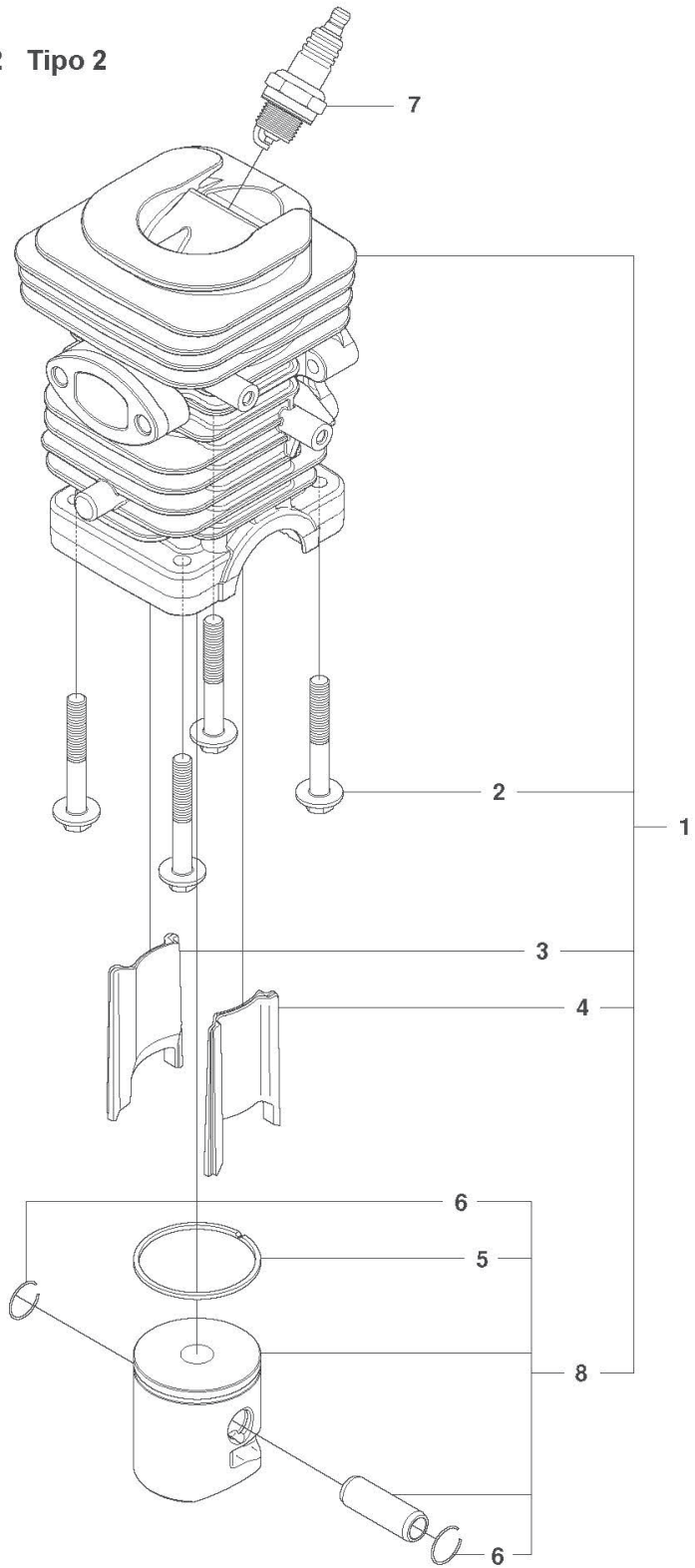
C CS340, CS380
CYLINDER COVER



REF.	PART NO.	DESCRIPTION	REMARK	QTY.	KIT
1	577831501	KIT		1	
2	574320601	SCREW		3	1
3	576807701	DECAL		1	1

D2 CS340, CS380
CYLINDER & PISTON

Type 2 Typ 2 Tipo 2



REF.	PART NO.	DESCRIPTION	REMARK	QTY.	KIT
1	577831102	KIT	TYPE/TYP/TIPO 2	1	
2	545081501	BOLT		4	1
3	574190801	INSERT		1	1
4	574190901	INSERT		1	1
5	585040601	PISTON RING		1	8
6	530015697	LOCKING RING		1	8
7	503235108	SPARK PLUG		1	
8	577831301	KIT		1	