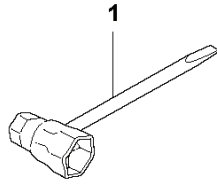


401, 966631402, 966631403, 966631404, 96

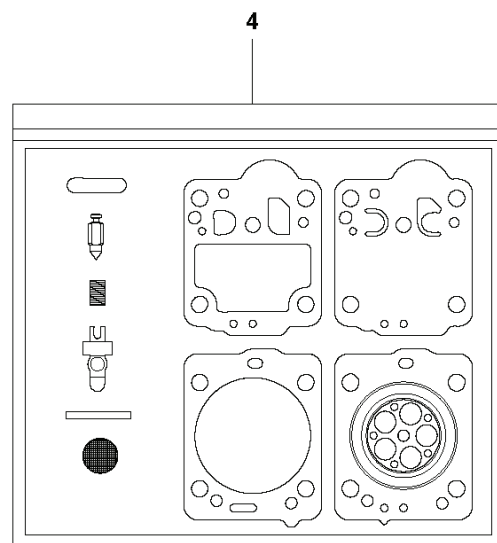
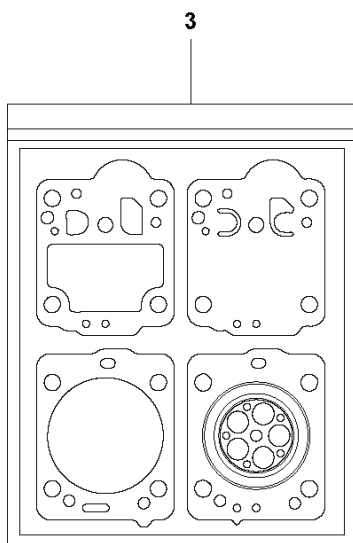
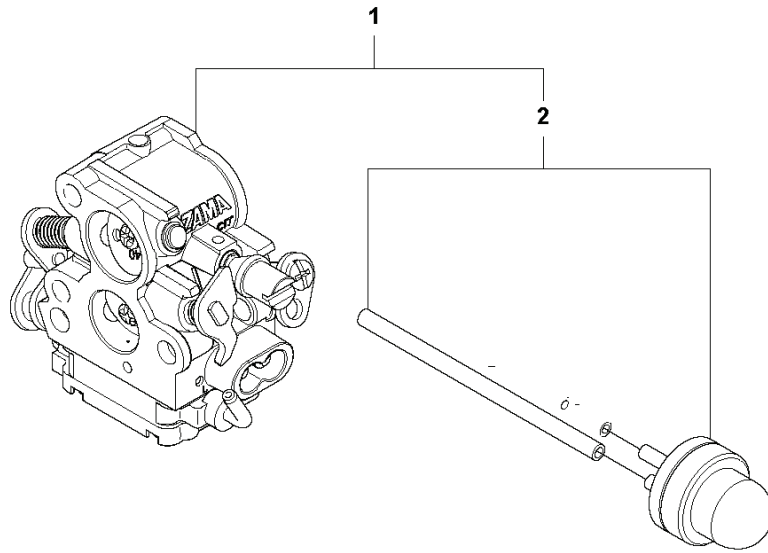
SPARE PARTS LIST

Q CS340, CS380
ACCESSORIES



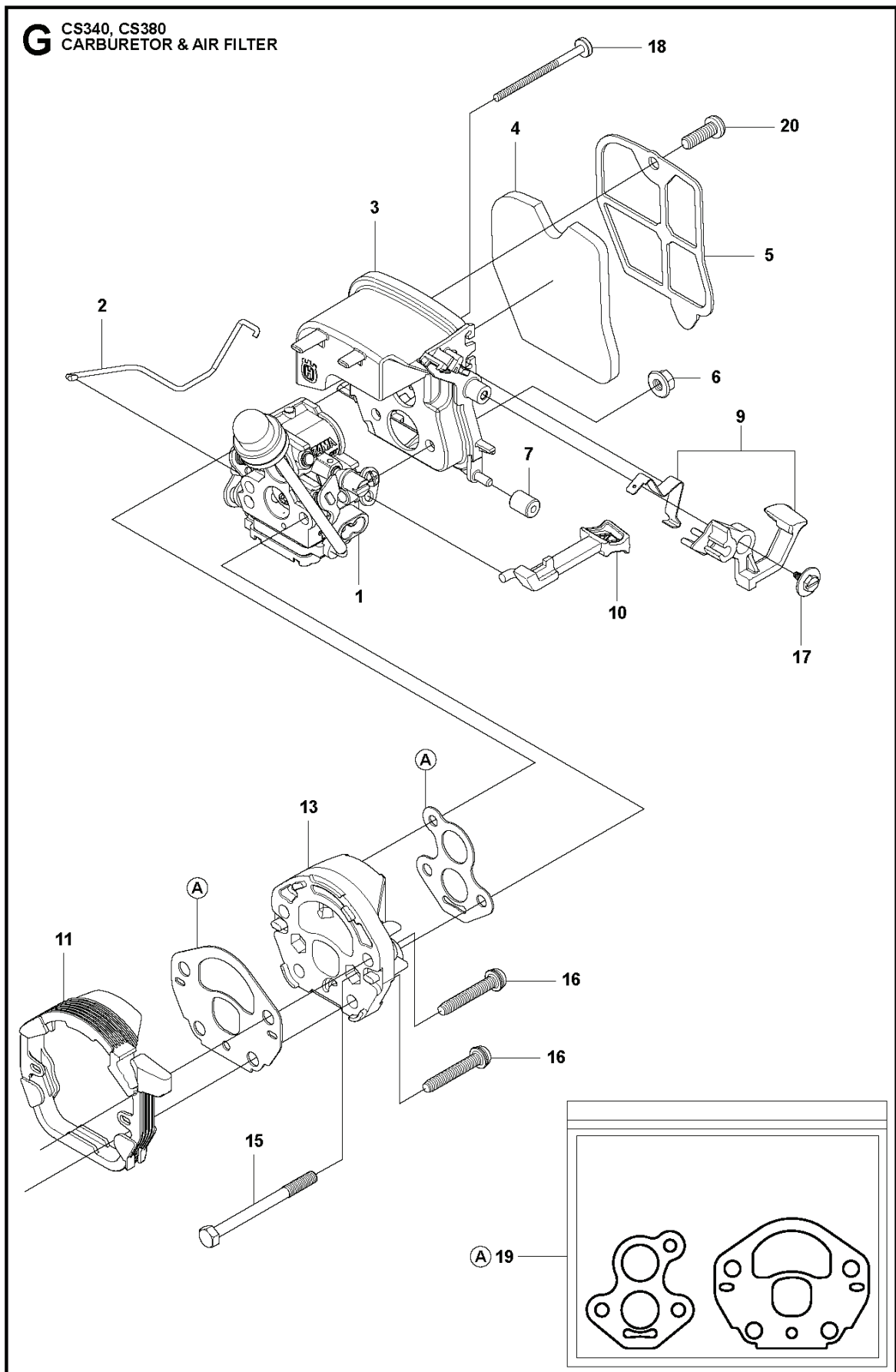
REF.	PART NO.	DESCRIPTION	REMARK	QTY.	KIT
1	576865901	COMBINATION WRENCH		1	

P CS340, CS380
CARBURETOR



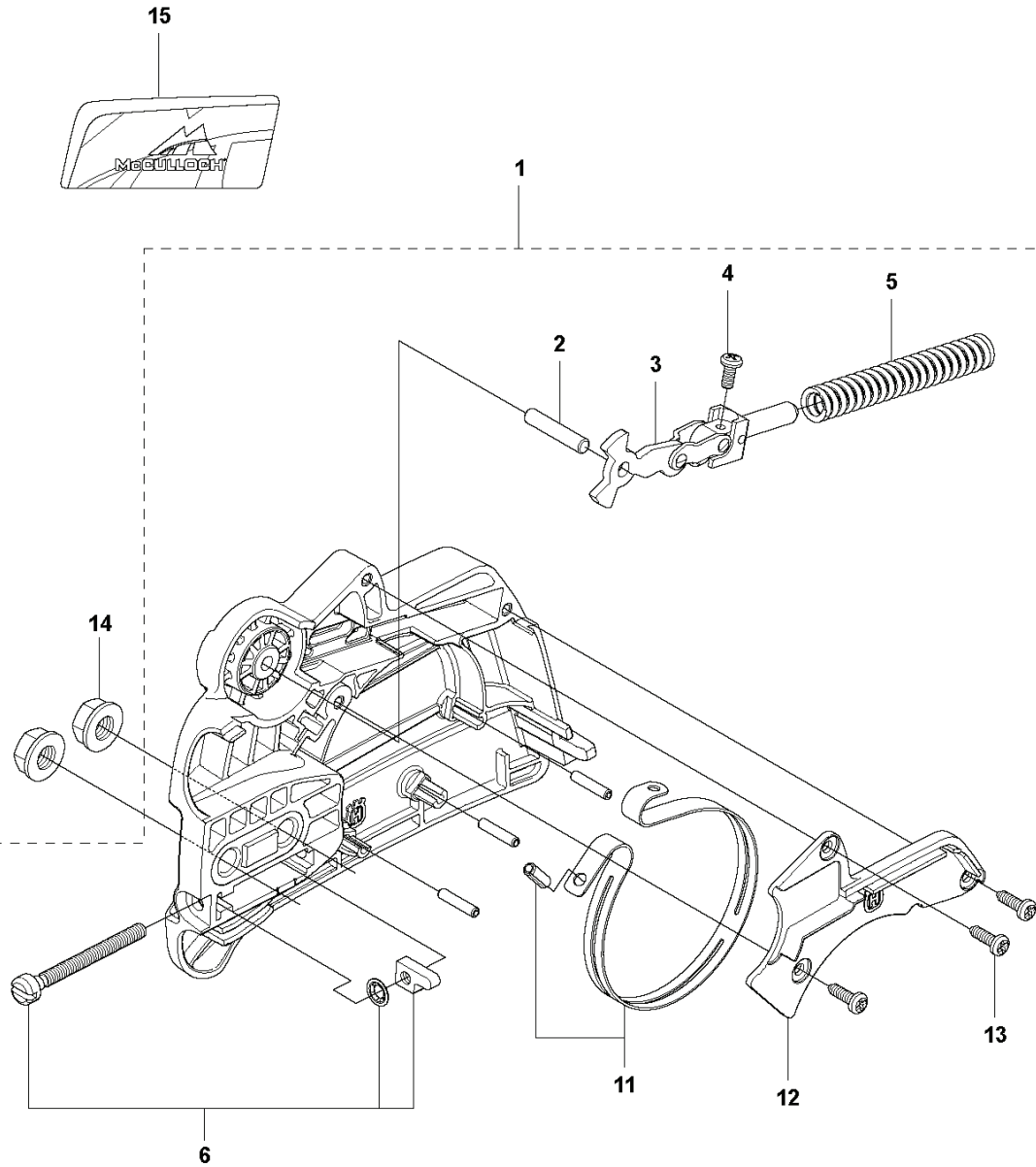
REF.	PART NO.	DESCRIPTION	REMARK	QTY.	KIT
1	545072601	CARBURETTOR		1	
2	545008030	PURGE AND LINE ASSEMBLY		1	1
3	545008031	GASKET KIT		1	
4	545008032	CARBURETTOR KIT		1	

G CS340, CS380
CARBURETOR & AIR FILTER



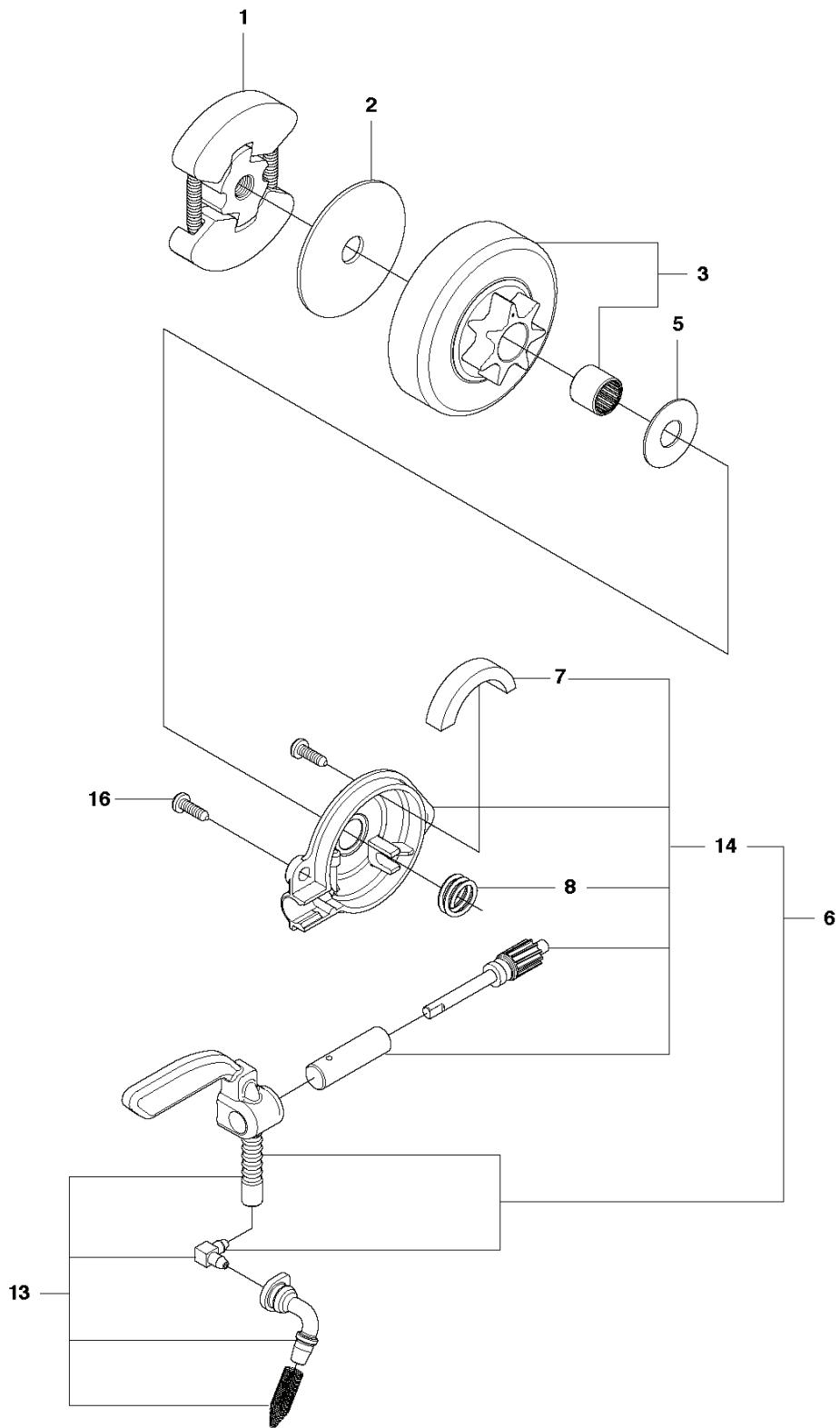
REF.	PART NO.	DESCRIPTION	REMARK	QTY.	KIT
1	586936202	CARBURETTOR		1	
2	577815201	THROTTLE		1	
3	575493401	AIR FILTER		1	
4	545061801	AIR FILTER		1	
5	545151801	FILTER		1	
6	530016101	NUT		2	
7	545061901	ISOLATOR		1	
9	577830701	KIT		1	
10	545061601	CHOKE KNOB		1	
11	545061501	CARB ADAPTOR SEAL		1	
13	577636501	ADAPTOR		1	
15	545033701	STUD-CARBURETOR		2	
16	545158301	CARB ADAPTOR SCREW		4	
17	530016080	SCREW		1	
18	545074901	TOP STUD-CARBURETOR		1	
19	545081892	GASKET KIT		1	
20	530016349	SCREW		1	

A2 CS340
CHAIN BRAKE & CLUTCH COVER



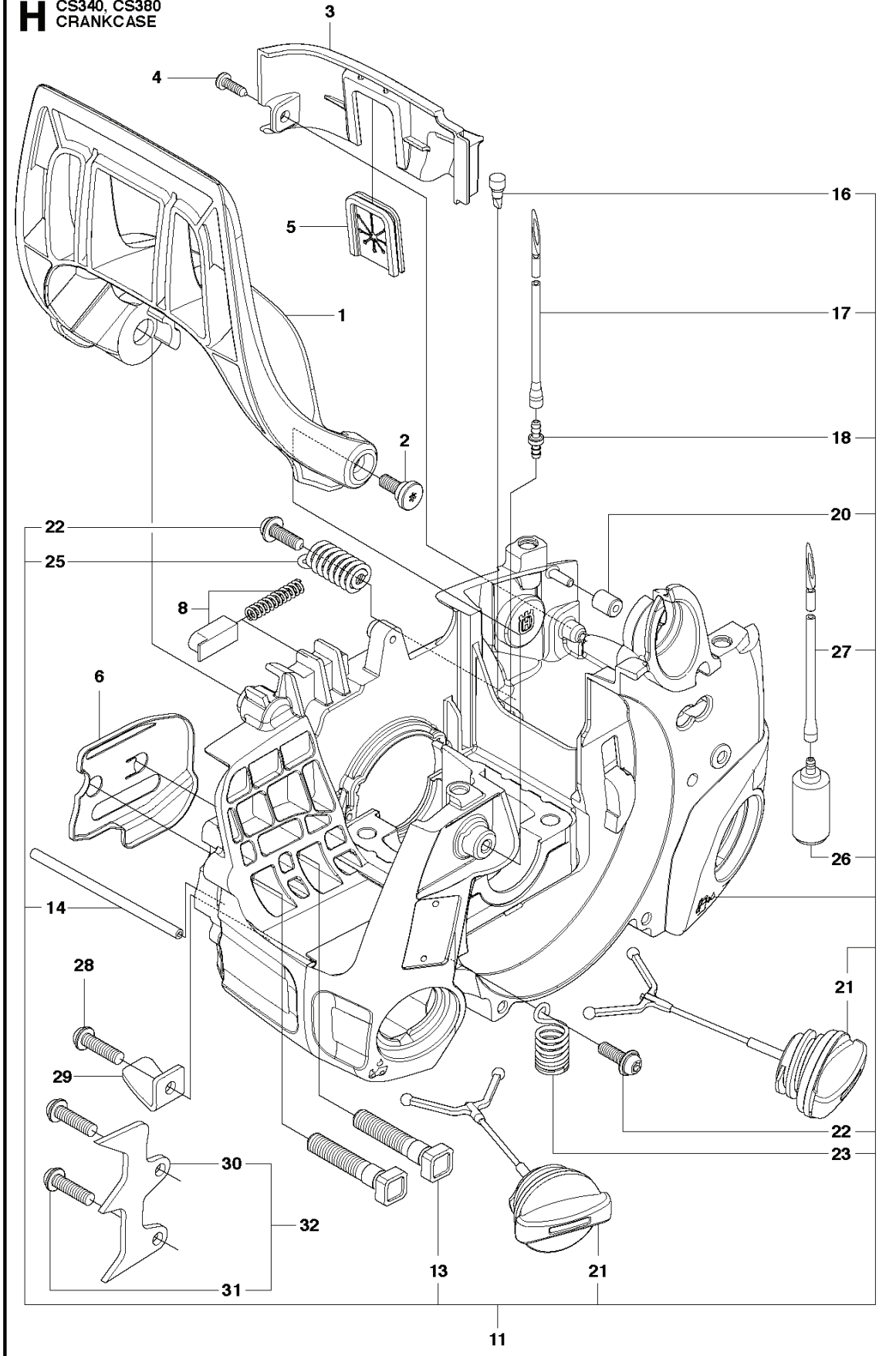
REF.	PART NO.	DESCRIPTION	REMARK	QTY.	KIT
1	577805501	CHAIN BRAKE ASSY		1	
2	530057950	PIN, DOWEL		1	1
3	530057940	ASSY. FRONT LINK		1	1
4	574780301	SCREW		1	1
5	530016415	SPRING COMPRESSION		1	1
6	530069611	RETAINER		1	1
11	577830201	KIT		1	1
12	545071002	COVER		1	1
13	545227101	SCREW		3	1
14	530015917	NUT		2	
15	577815301	DECAL		1	

B CS340, CS380
CLUTCH & OIL PUMP



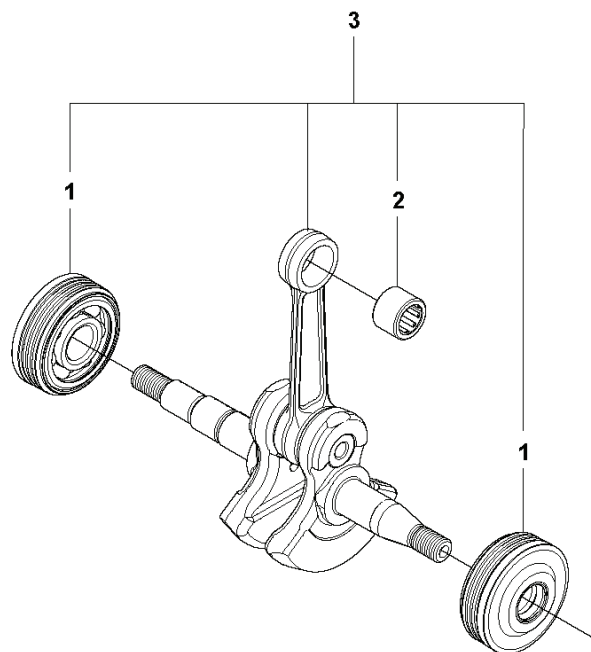
REF.	PART NO.	DESCRIPTION	REMARK	QTY.	KIT
1	530014949	CLUTCH		1	
2	530015611	WASHER		1	
3	530047061	CLUTCH DRUM ASSY		1	
5	530015907	WASHER		1	
6	581063901	OIL PUMP ASSY		1	
7	525318401	DUST SEAL		1	6, 14
8	530037820	WORM GEAR		1	6, 14
13	577830501	KIT		1	
14	577832301	KIT		1	6
16	530016064	SCREW		2	

H CS340, CS380
CRANKCASE



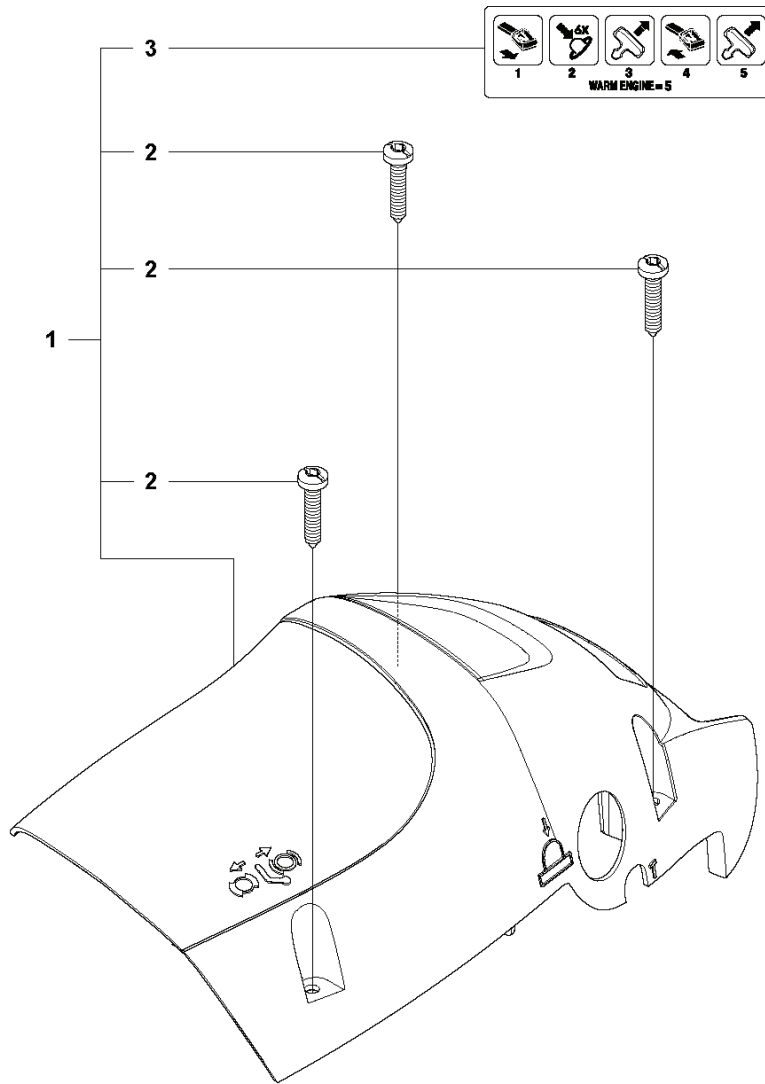
REF.	PART NO.	DESCRIPTION	REMARK	QTY.	KIT
1	575943601	HAND GUARD		1	
2	545127301	BOSS		1	
3	576141001	WALL		1	
4	545227101	SCREW		1	
5	545075401	GROMMET		1	
6	545071401	BAR		1	
8	577830901	KIT		1	
11	577831201	KIT		1	
13	529310301	BOLT		2	11
14	545033501	HOSE		1	11
16	530026119	CHECK VALVE		1	11
17	530021132	LINE-RETURN PURGE		1	11
18	530023877	NIPPLE		1	11
20	545061901	ISOLATOR		1	11
21	544111202	TANK CAP ASSY		2	11
22	530015906	SCREW		2	11
23	545033801	ISOLATOR		1	11
25	577540601	SPRING		1	11
26	530095646	FILTER		1	11
27	581853501	FUEL HOSE		1	11
28	530015814	SCREW		1	
29	530029850	CHAIN CATCHER		2	
30	530038990	FELLING DOG		1	32
31	530016439	SCREW		2	32
32	530014381	FELLING DOG		1	

E CS340, CS380
CRANK SHAFT



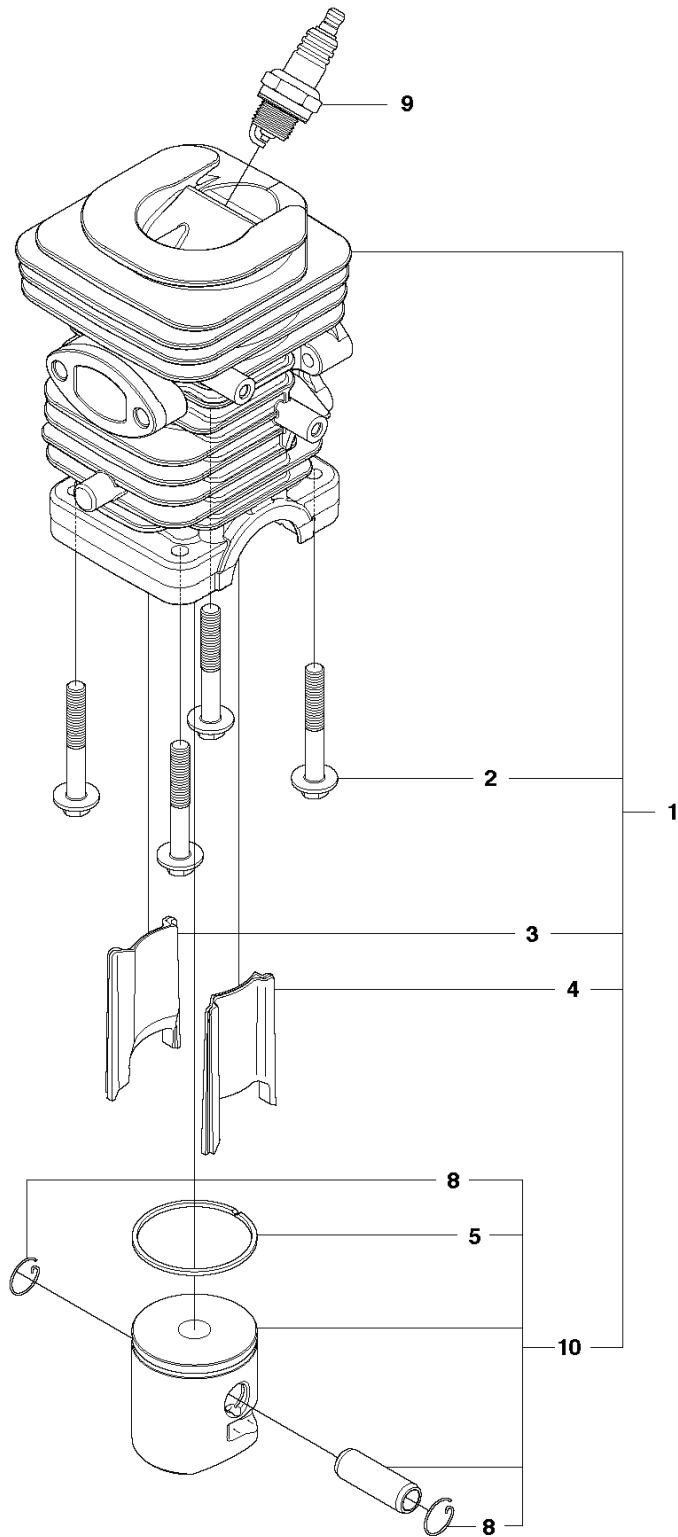
REF.	PART NO.	DESCRIPTION	REMARK	QTY.	KIT
1	576243901	BEARING		2	3
2	574449401	ASSEMBLY		1	3
3	580302701	CRANKSHAFT		1	

C CS340, CS380
CYLINDER COVER



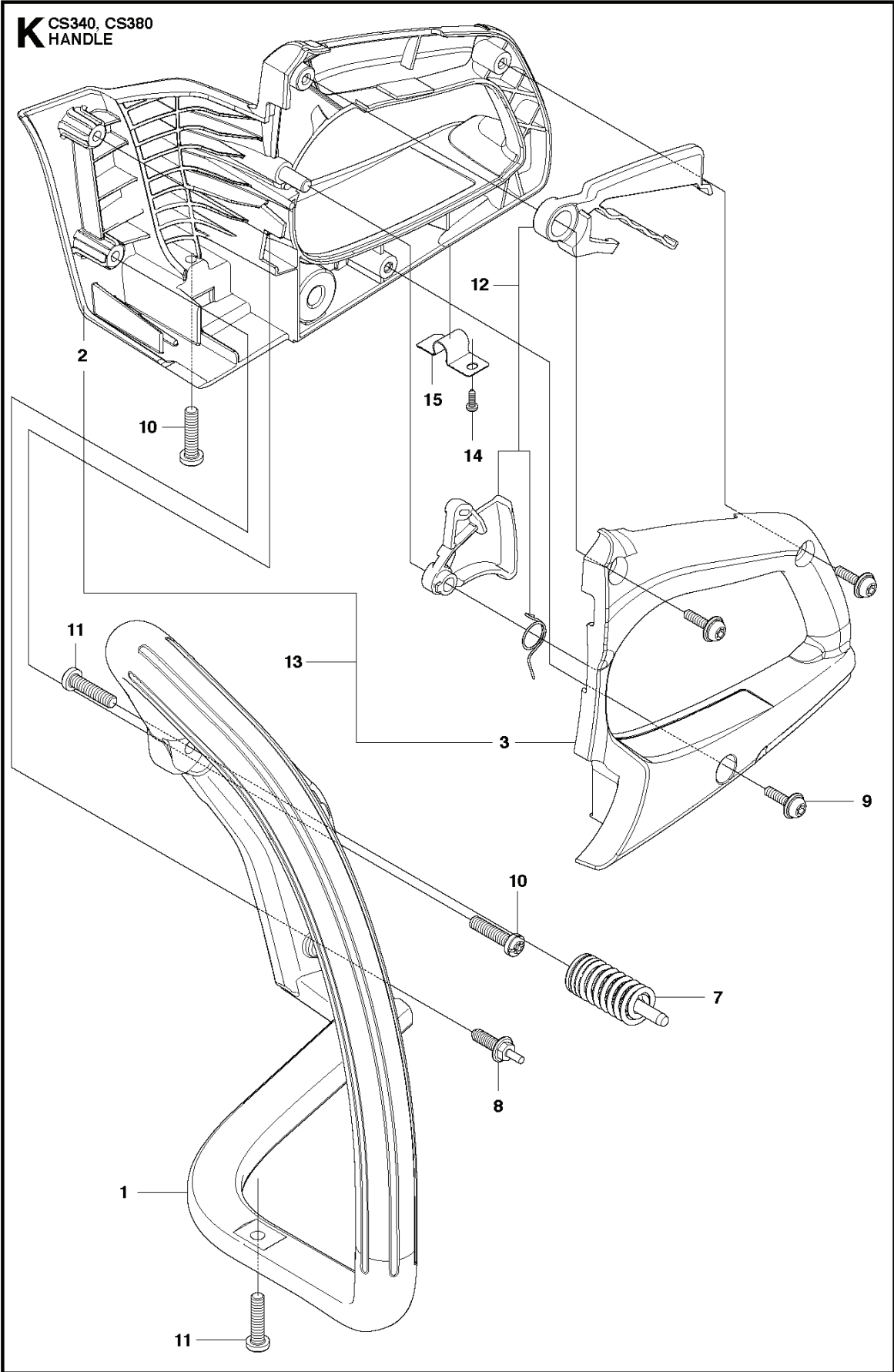
REF.	PART NO.	DESCRIPTION	REMARK	QTY.	KIT
1	577831501	KIT		1	
2	574320601	SCREW		3	1
3	576807701	DECAL		1	1

D CS340, CS380
CYLINDER & PISTON



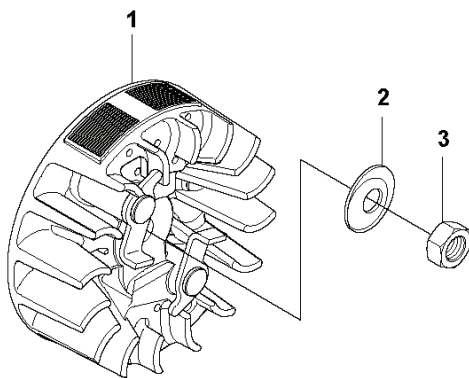
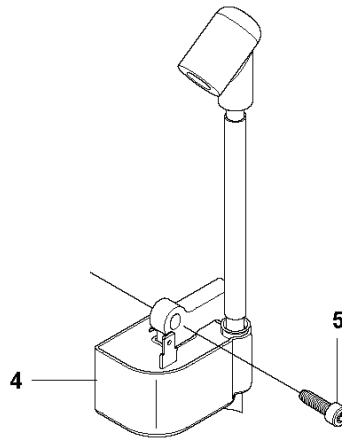
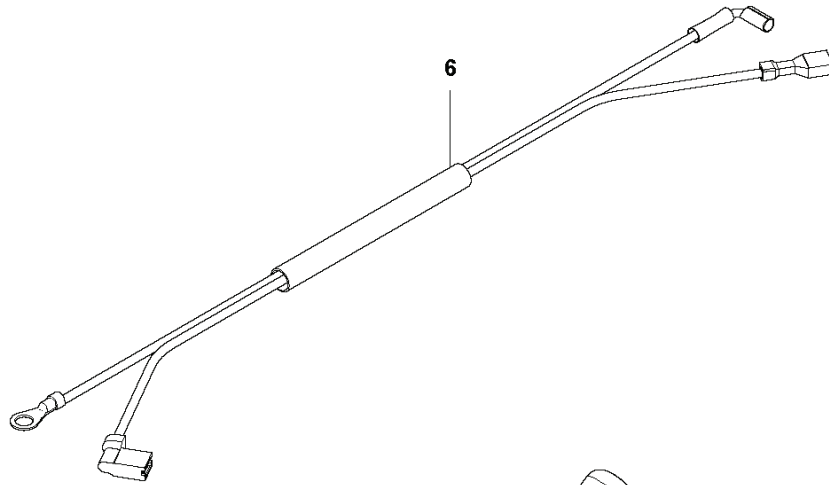
REF.	PART NO.	DESCRIPTION	REMARK	QTY.	KIT
1	577831101	KIT		1	
2	545081501	BOLT		4	1
3	574190901	INSERT		1	1
4	574190801	INSERT		1	1
5	530012608	PISTON RING		1	10
8	530015697	LOCKING RING		2	10
9	503235108	SPARK PLUG		1	
10	577831301	KIT		1	1

K CS340, CS380
HANDLE



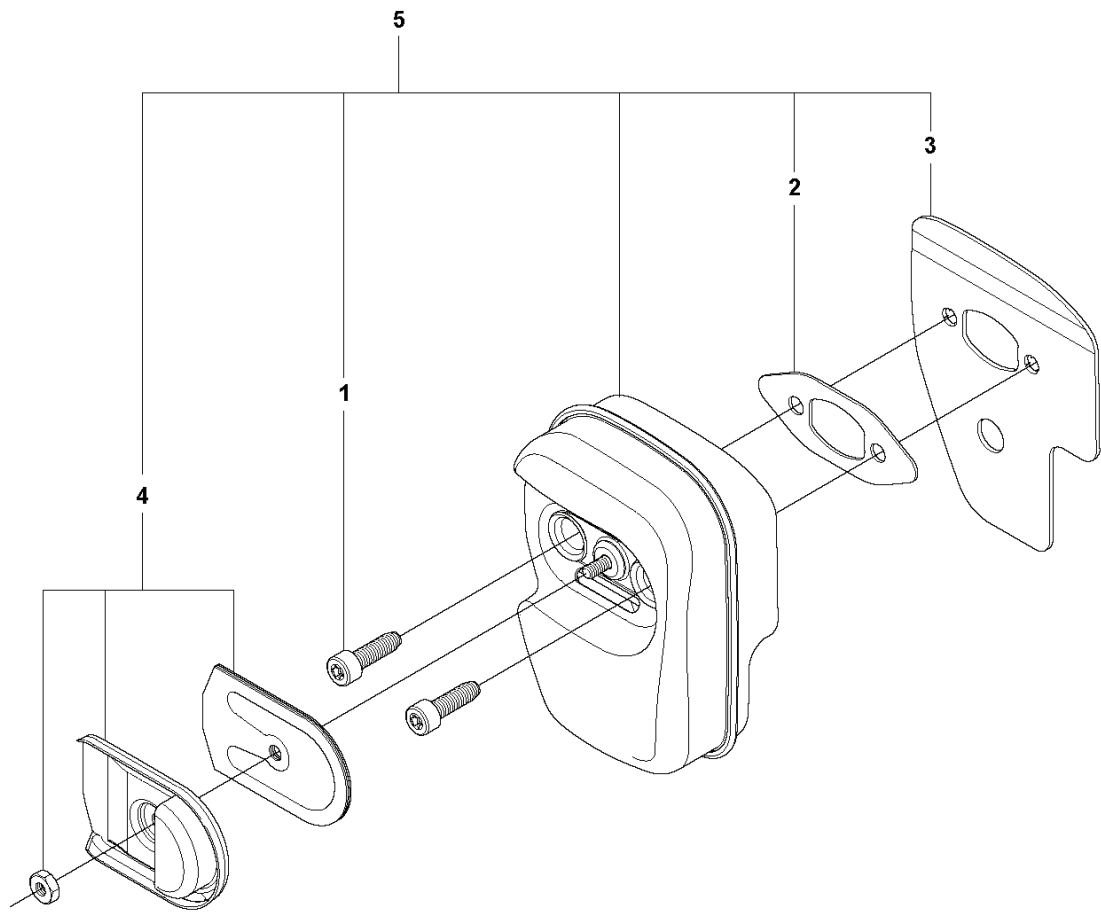
REF.	PART NO.	DESCRIPTION	REMARK	QTY.	KIT
1	576025401	FRONT HANDLE		1	
2	576025501	REAR HANDLE		1	13
3	576025701	COVER		1	13
7	577540701	SPRING		1	
8	576808301	SCREW		1	
9	530016433	SCREW		3	
10	530016349	SCREW		2	
11	530016432	SCREW		2	
12	577821901	KIT		1	
13	577830001	KIT		1	
14	545227101	SCREW		1	
15	576389301	CLIP		1	

M CS340, CS380
IGNITION SYSTEM



REF.	PART NO.	DESCRIPTION	REMARK	QTY.	KIT
1	575635501	FLYWHEEL		1	
2	530015127	WASHER		1	
3	530016134	NUT		1	
4	575803501	MODULE		1	
5	545121901	SCREW		2	
6	545079901	ASSY- WIRE HARNESS		1	

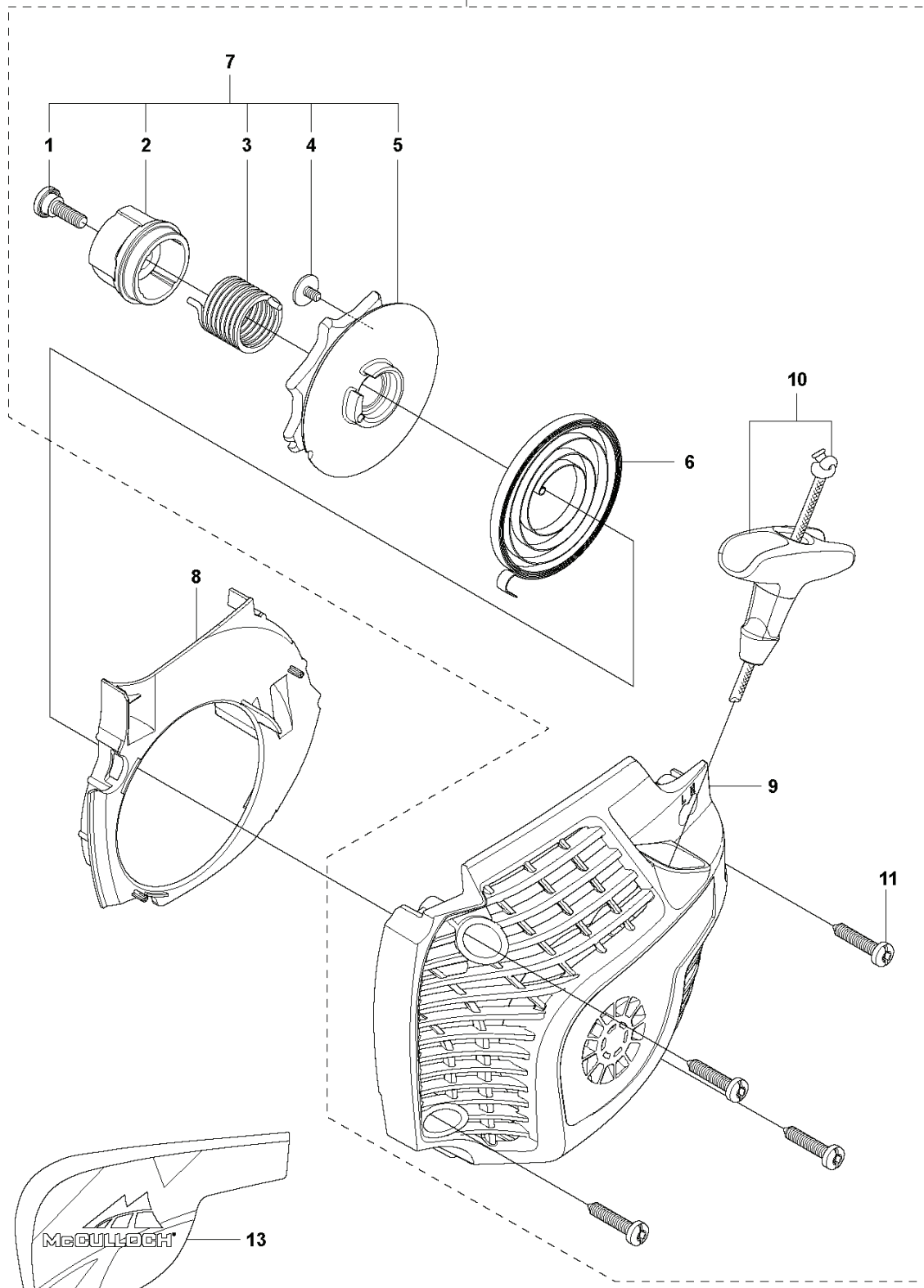
F CS340, CS380
MUFFLER



REF.	PART NO.	DESCRIPTION	REMARK	QTY.	KIT
1	530016338	BOLT		2	5
2	530054884	MUFFLER GASKET		1	5
3	545066901	MUFFLER BACK PLATE		1	5
4	577162001	KIT		1	5
5	577162101	KIT		1	

N CS340, CS380
STARTER

12



REF.	PART NO.	DESCRIPTION	REMARK	QTY.	KIT
1	530021179	SCREW		1	7,12
2	530059677	SLEEVE		1	7,12
3	530021180	SPRING		1	7,12
4	530016080	SCREW		1	7,12
5	545058201	PULLEY		1	7,12
6	530042095	SPRING		1	12
7	545180812	KIT		1	12
8	575942801	BAFFLE		1	
9	575942301	HOUSING		1	12
10	576431301	HANDLE		1	12
11	530016432	SCREW		4	12
12	577162501	KIT		1	
13	576807501	DECAL		1	