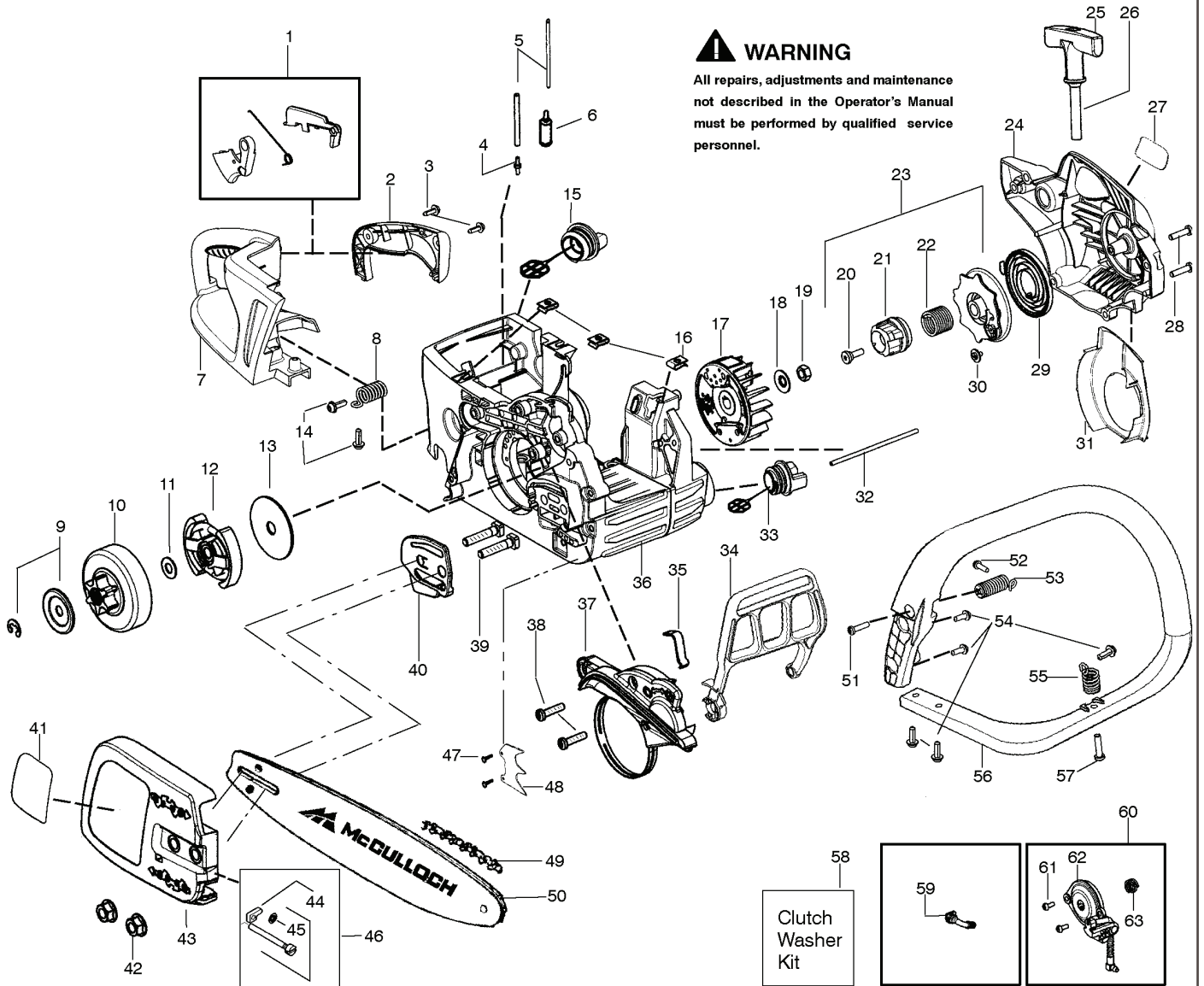


CS330, 967178201, 2012-09

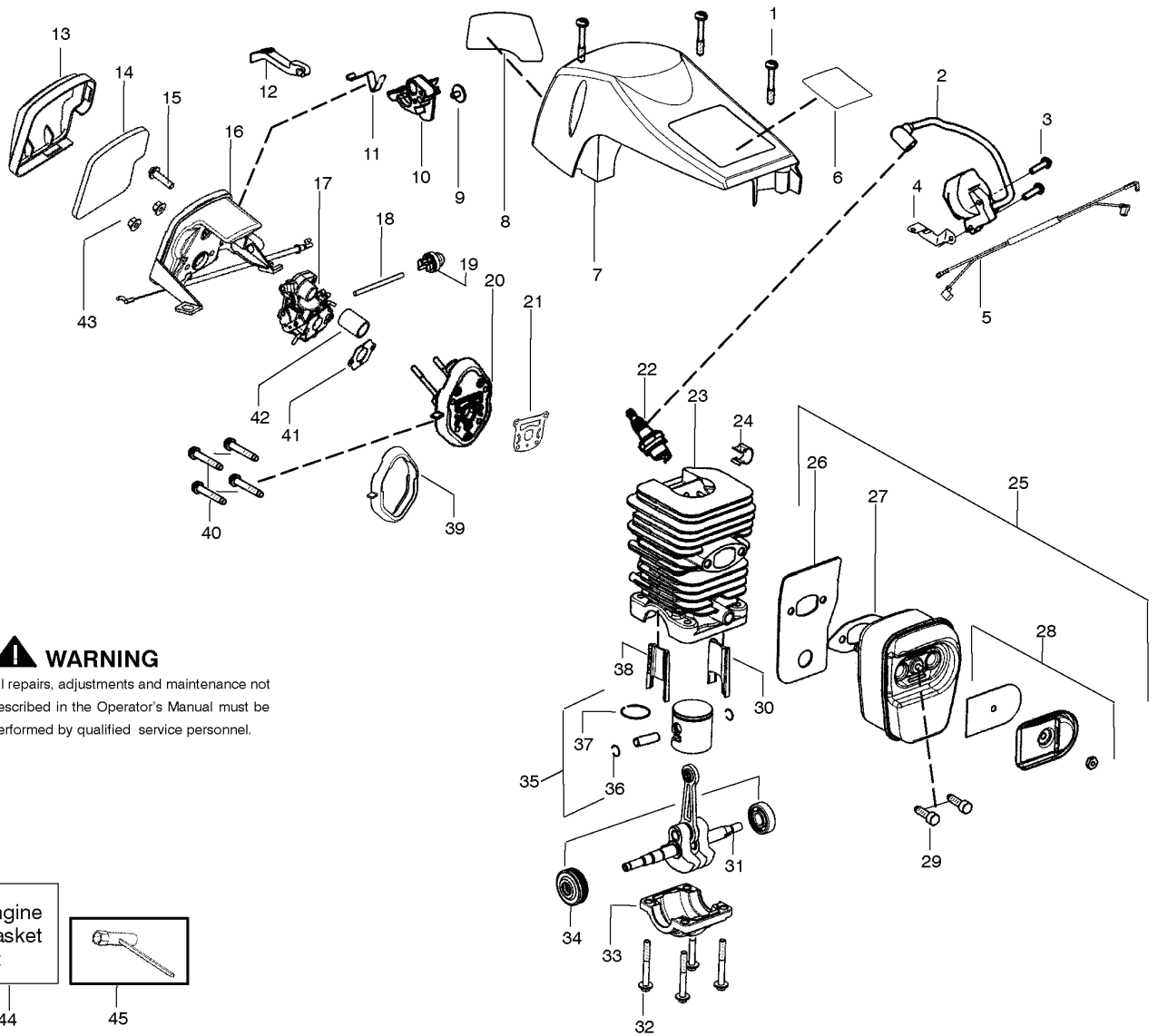
SPARE PARTS LIST

⚠ WARNING

All repairs, adjustments and maintenance not described in the Operator's Manual must be performed by qualified service personnel.



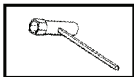
REF.	PART NO.	DESCRIPTION	REMARK	QTY.	KIT
1	580864201	TRIGGER		0	
2	545011912	COVER		0	
3	530016433	SCREW		0	
4	530023877	NIPPLE		0	
5	580727101	FUEL HOSE		0	
6	530095646	FILTER		0	
7	545012112	REAR HANDLE		0	
8	530059475	SPRING		0	
9	000000000	W/O DESCRIPTION	REF KIT 58	0	
10	530057905	CLUTCH DRUM		0	
11	000000000	W/O DESCRIPTION	REF KIT 58	0	
12	530057907	CLUTCH ASSY		0	
13	530016419	WASHER		0	
14	530015906	SCREW		0	
15	577858501	ASSEMBLY		0	
16	530015922	NUT		0	
17	545016308	FLYWHEEL ASSY		0	
18	530015127	WASHER		0	
19	530016134	NUT		0	
20	530021179	SCREW		0	
21	530059677	SLEEVE		0	
22	530021180	SPRING		0	
23	530071966	STARTER PULLEY	"INCL 20, 21, 22, 30"	0	
24	545045901	HSG FAN EURO BLACK		0	
25	580835201	STARTER HANDLE		0	
26	530069232	STARTER ROPE		0	
27	580767001	DECAL		0	
28	530016432	SCREW		0	
29	576657801	SPRING		0	
30	530016080	SCREW		0	
31	580678501	BAFFLE		0	
32	530058786	ASSEMBLY		0	
33	530057236	TANK		0	
34	530057880	HAND-GUARD		0	
35	530016416	SPRING		0	
36	579061501	CHASSIS	"INCL 4, 5, 8, 14, 15, 16, 32, 33, 35, 39, 55"	0	
37	530071893	KIT		0	
38	530016432	SCREW		0	
39	530016133	BOLT		0	
40	530057910	PLATE BAR MOUNTING		0	
41	581359301	DECAL		0	
42	530015917	NUT		0	
43	545012201	CLUTCH COVER ASSY	INCL 46	0	
44	530015826	PEN		0	
45	530038593	RETAINER		0	
46	530069611	RETAINER	"INCL 44, 45"	0	
47	530016439	SCREW		0	
48	530014381	FELLING DOG	INCL 47	0	
49	579579501	SAW CHAIN		0	
50	580968201	BAR		0	
51	530016432	SCREW		0	
52	530016443	SCREW		0	
53	530059480	SPRING		0	
54	530015906	SCREW		0	
55	530059479	SPRING		0	
56	530057878	HANDLE		0	
57	530016432	SCREW		0	
58	530071945	KIT	"INCL 9, 11"	0	
59	530057924	ASSEMBLY		0	
60	530071891	KIT	"INCL 61, 62, 63"	0	
61	545227101	SCREW		0	
62	530057931	OIL PUMP ASSY		0	
63	530037820	WORM GEAR		0	



⚠ WARNING

All repairs, adjustments and maintenance not described in the Operator's Manual must be performed by qualified service personnel.

Engine
Gasket
Kit



44

45

REF.	PART NO.	DESCRIPTION	REMARK	QTY.	KIT
1	530016153	SCREW		0	
2	545115801	IGNITION MODULE		0	
3	530016432	SCREW		0	
4	530058661	PLATE		0	
5	530057943	ASSEMBLY		0	
6	577923702	DECAL		0	
7	545045801	CYLINDER SHIELD EURO BLACK		0	
8	580783801	DECAL		0	
9	530016080	SCREW		0	
10	530057891	LEVER		0	
11	530057908	SPRING		0	
12	530059399	CHOKE CONTROL		0	
13	530059001	AIR FILTER COVER		0	
14	530057869	AIR FILTER		0	
15	530016425	SCREW		0	
16	545046901	FILTER HOLDER		0	
17	545070601	CARBURETTOR		0	
18	580727101	FUEL HOSE		0	
19	530047721	PURGE		0	
20	530071889	KIT	"INCL 21, 39, 42"	0	
21	000000000	W/O DESCRIPTION	"REF KIT 20, 44"	0	
22	952030150	SPARK PLUG		0	
23	530071885	KIT		0	
24	530058660	CLIP		0	
25	545081801	MUFFLER		0	
26	530057942	MUFFLER		0	
27	000000000	W/O DESCRIPTION	"REF KIT 20, 44"	0	
28	545081701	SPARK ARRESTER		0	
29	530016338	BOLT		0	
30	545015301	INSERT		0	
31	545112901	CRANKSHAFT ASSY		0	
32	530016417	BOLT		0	
33	530057941	CRANKCASE		0	
34	530056363	BEARING		0	
35	530071882	PISTON ASSY	"INCL 36, 37"	0	
36	530015697	LOCKING RING		0	
37	530038729	PISTON RING		0	
38	545015401	INSERT		0	
39	000000000	W/O DESCRIPTION	"REF KIT 20, 44"	0	
40	530016426	SCREW		0	
41	000000000	W/O DESCRIPTION	"REF KIT 20, 44"	0	
42	530057926	TUBE		0	
43	530016101	NUT		0	
44	530071894	KIT	"INCL 21, 27, 39, 41"	0	
45	530031135	WRENCH		0	