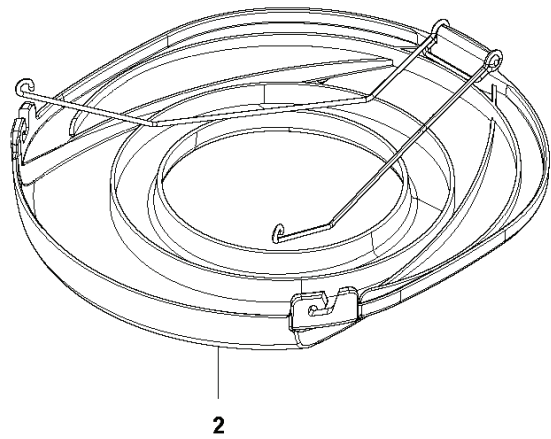
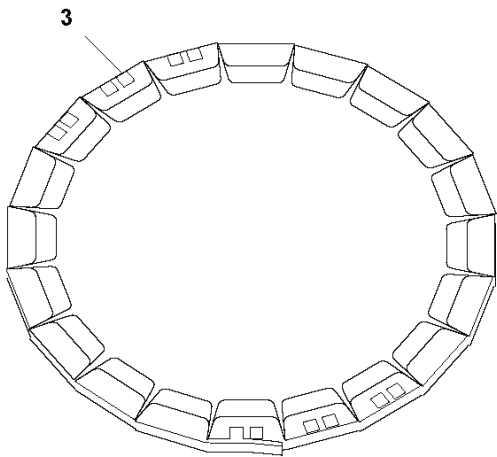
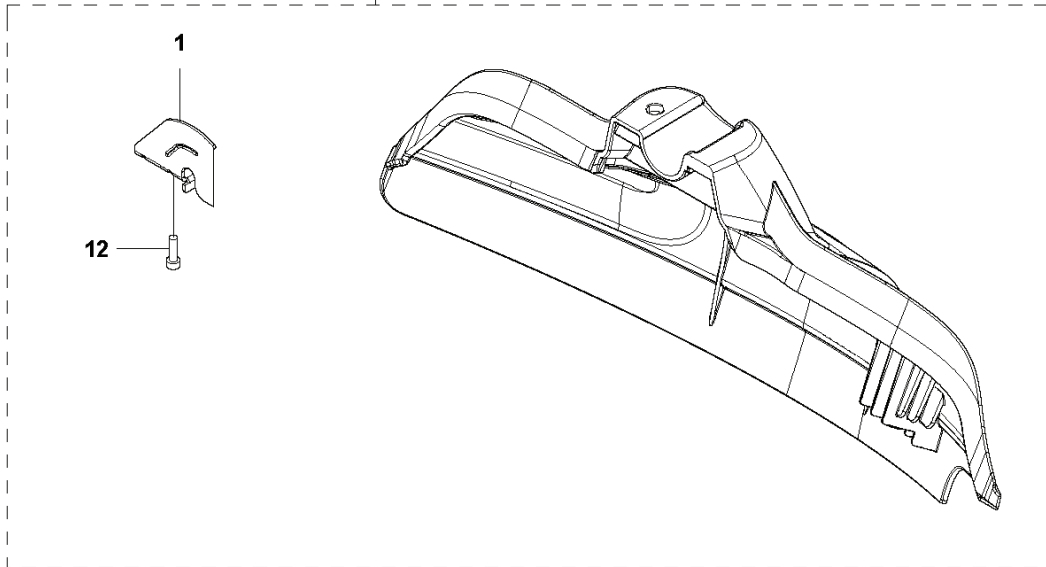
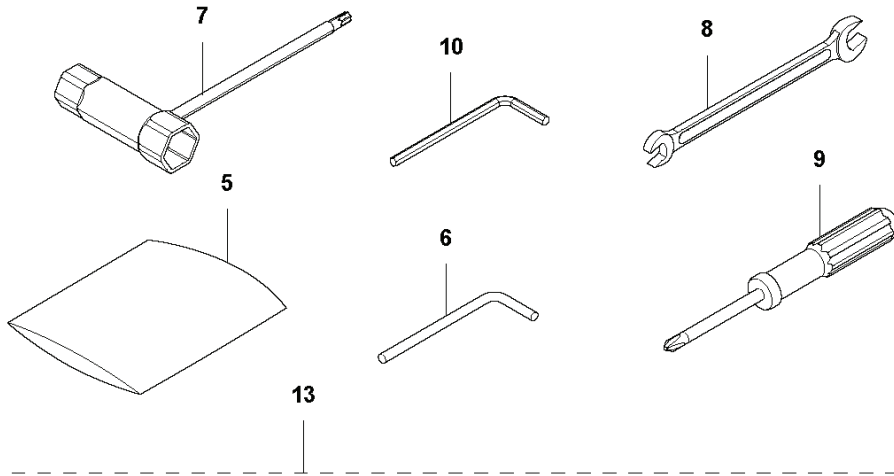


B40 BT, 9671588-01, 2013-02

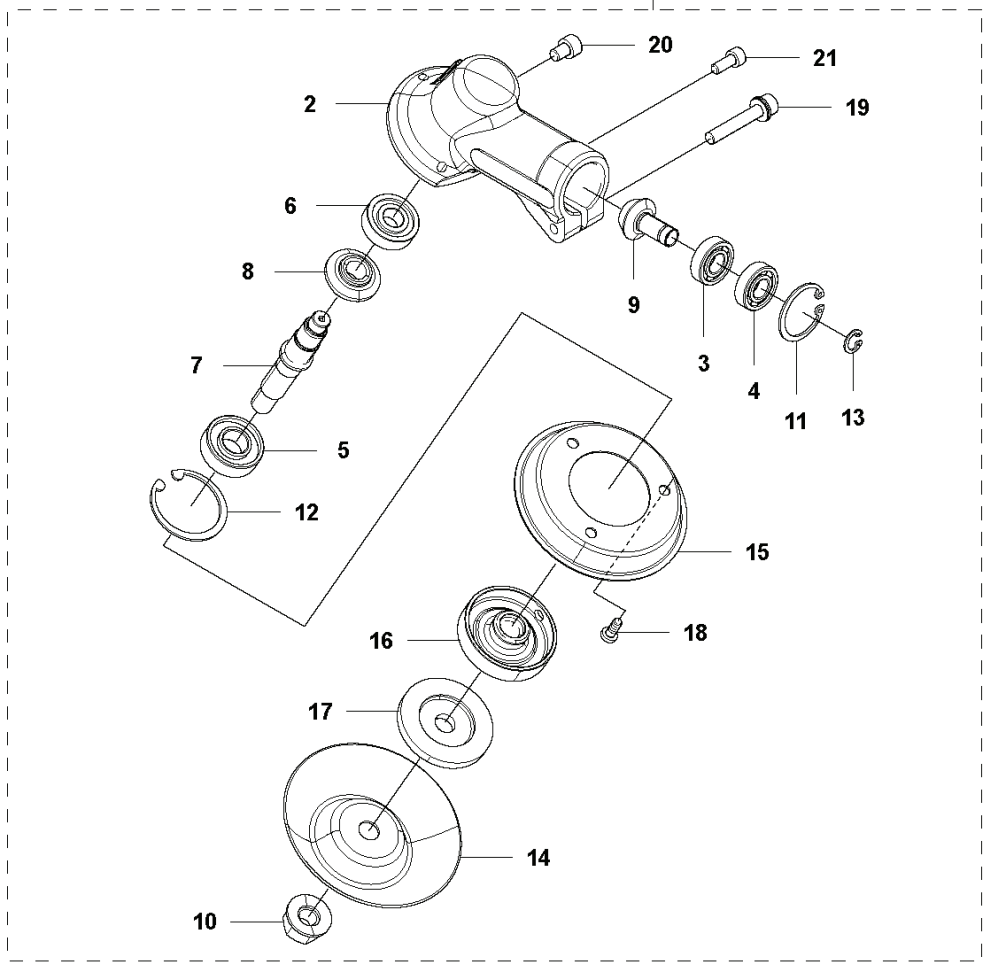
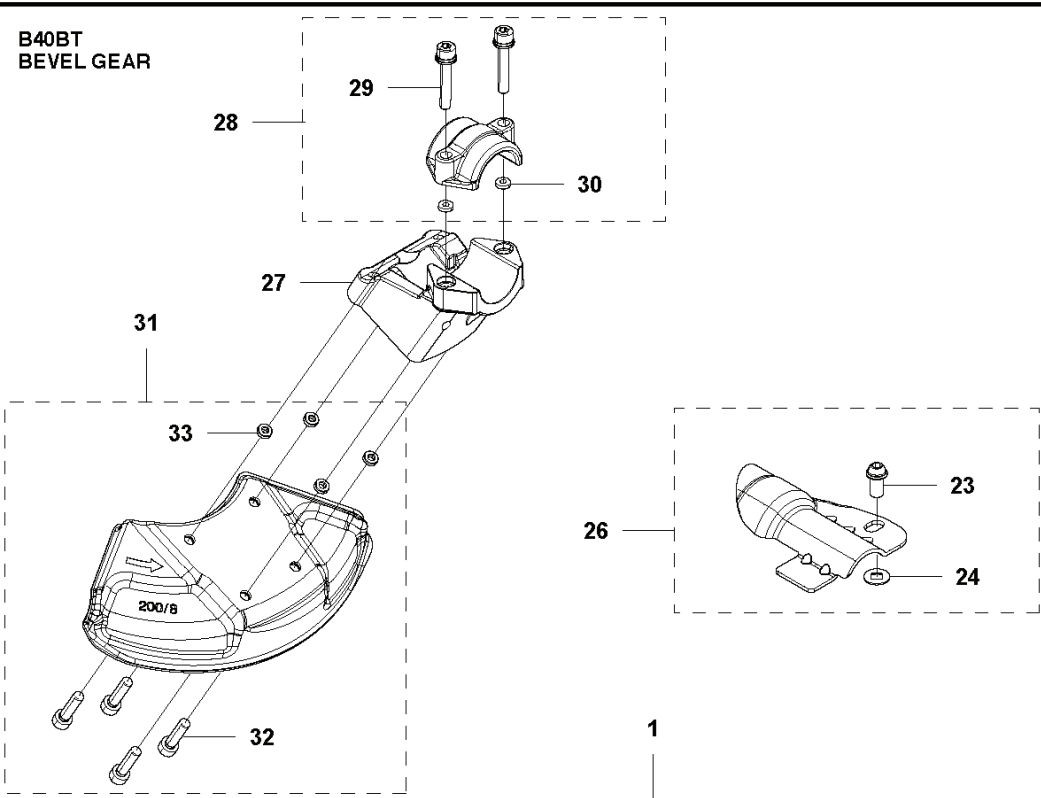
SPARE PARTS LIST

R B40BT
ACCESSORIES



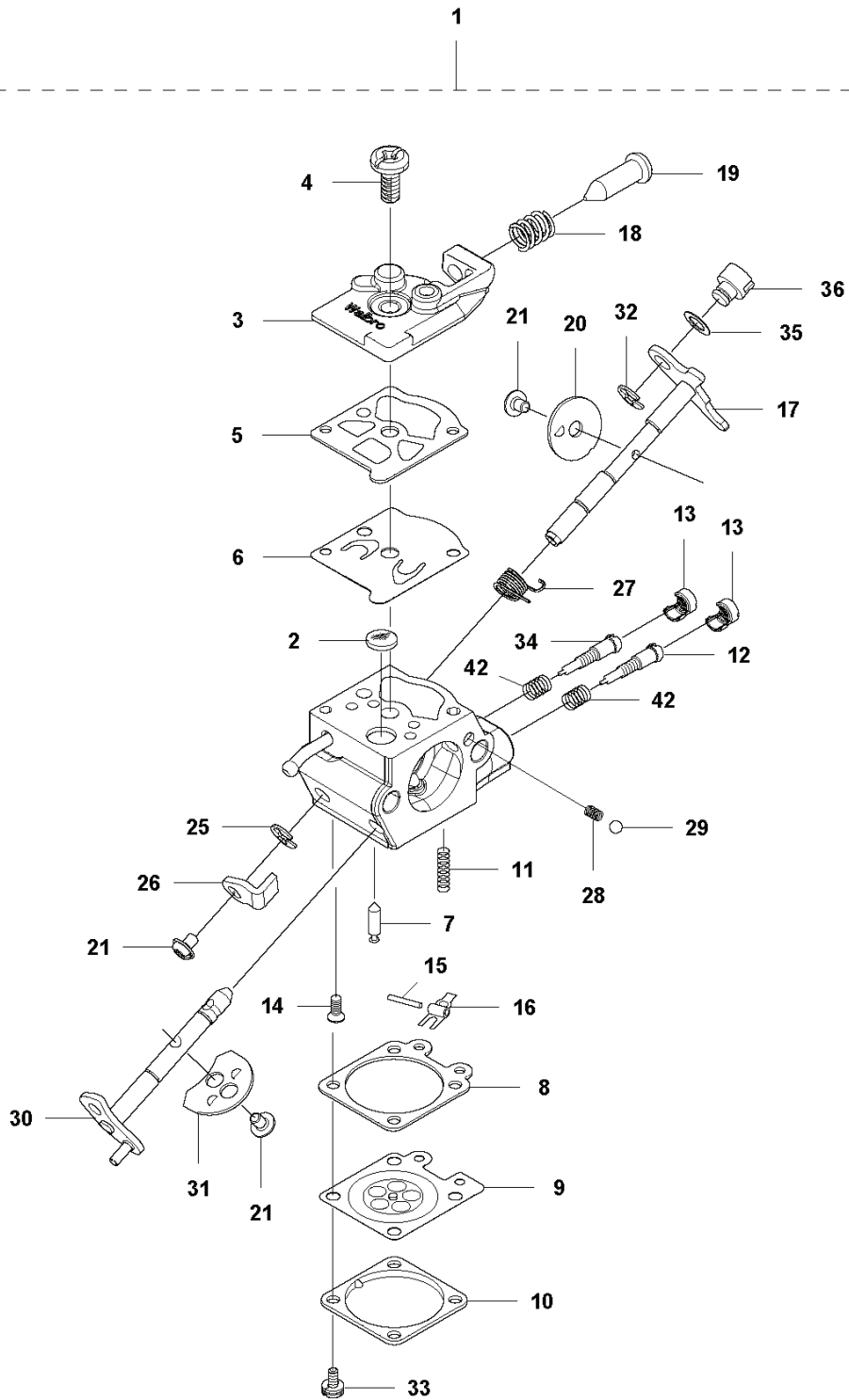
REF.	PART NO.	DESCRIPTION	REMARK	QTY.	KIT
1	530052286	LINE		1	13
2	537312901	TRANSPORT GUARD		1	
3	574352301	COVER		2	
5	506744101	BAG		1	
6	580309101	BAR		1	
7	521533101	SOCKET		1	
8	506615001	SPANNER		1	
9	506689501	DRIVER		1	
10	580477001	WRENCH		1	
12	530015814	SCREW		2	13
13	580305001	SHIELD		1	

A B40BT
BEVEL GEAR



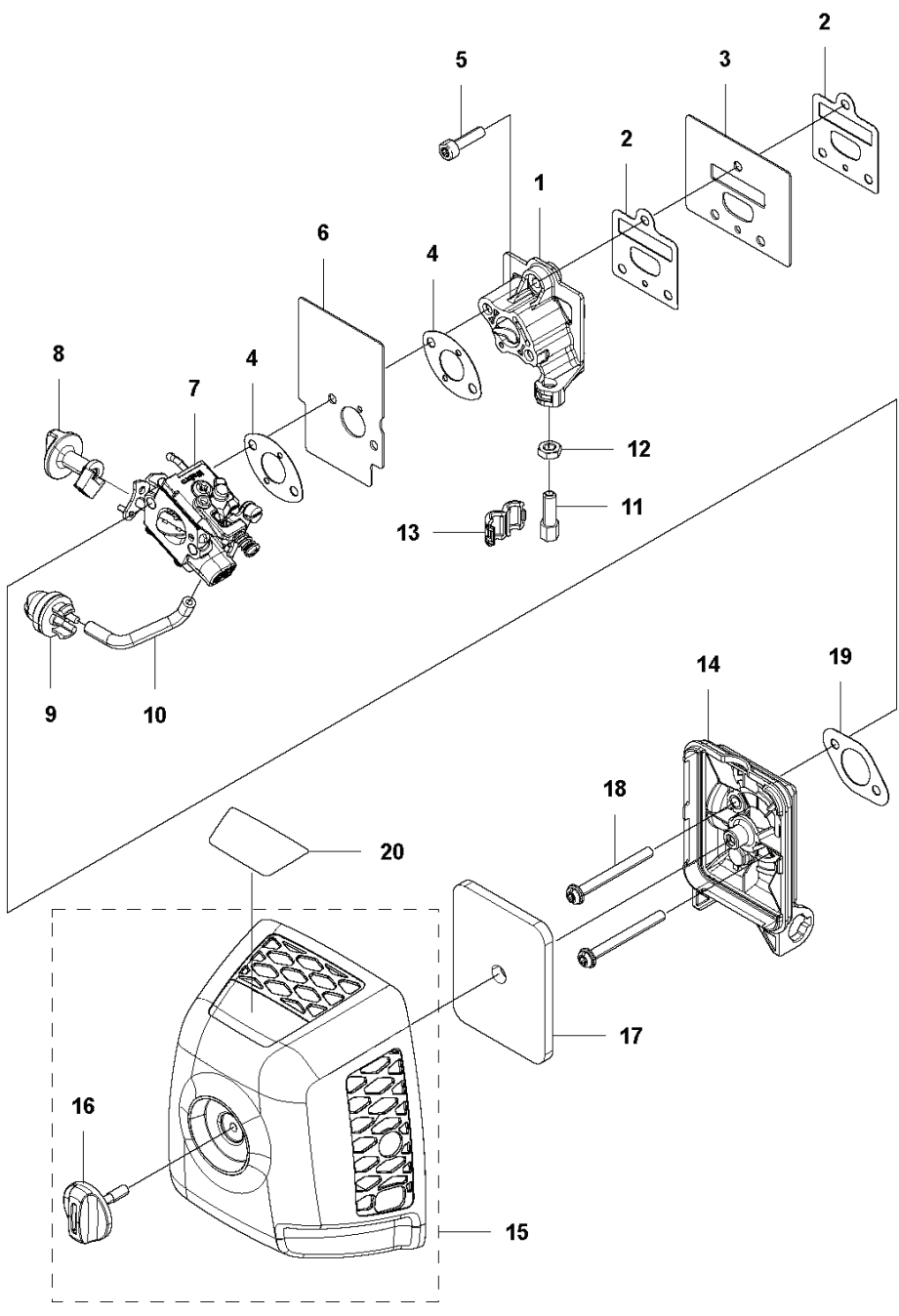
REF.	PART NO.	DESCRIPTION	REMARK	QTY.	KIT
1	578333301	GEAR CASE		1	
2	579006501	GEAR CASE		1	1
3	505169201	BEARING		1	1
4	505169301	BEARING		1	1
5	510569701	BEARING		1	1
6	579064101	BEARING		1	1
7	579006901	SHAFT		1	1
8	579007201	GEAR		1	1
9	579007301	PINION		1	1
10	581315401	NUT		1	1
11	505169401	SNAP RING		1	1
12	504121001	SNAP RING		1	1
13	521821801	RING		1	1
14	579006601	COVER	For grass blade	1	1
15	579006701	COVER		1	1
16	579007101	HOLDER		1	1
17	579007001	HOLDER		1	1
18	510464601	SCREW		3	1
19	521862301	BOLT		1	1
20	521862001	BOLT		1	1
21	521861101	BOLT		1	1
23	530015771	SCREW		1	26
24	575677301	LOCKWASHER	For combi shield 580 30 50-01	1	26
26	579216901	BRACKET		1	
27	581337701	ADAPTER		1	
28	581337801	CLAMP		1	
29	512845901	BOLT		2	28
30	574039501	LOCK NUT		2	28
31	581338401	SAW BLADE GUARD		1	
32	521516501	BOLT		4	31
33	574039501	LOCK NUT		4	31

Q B40BT
CARBURETOR



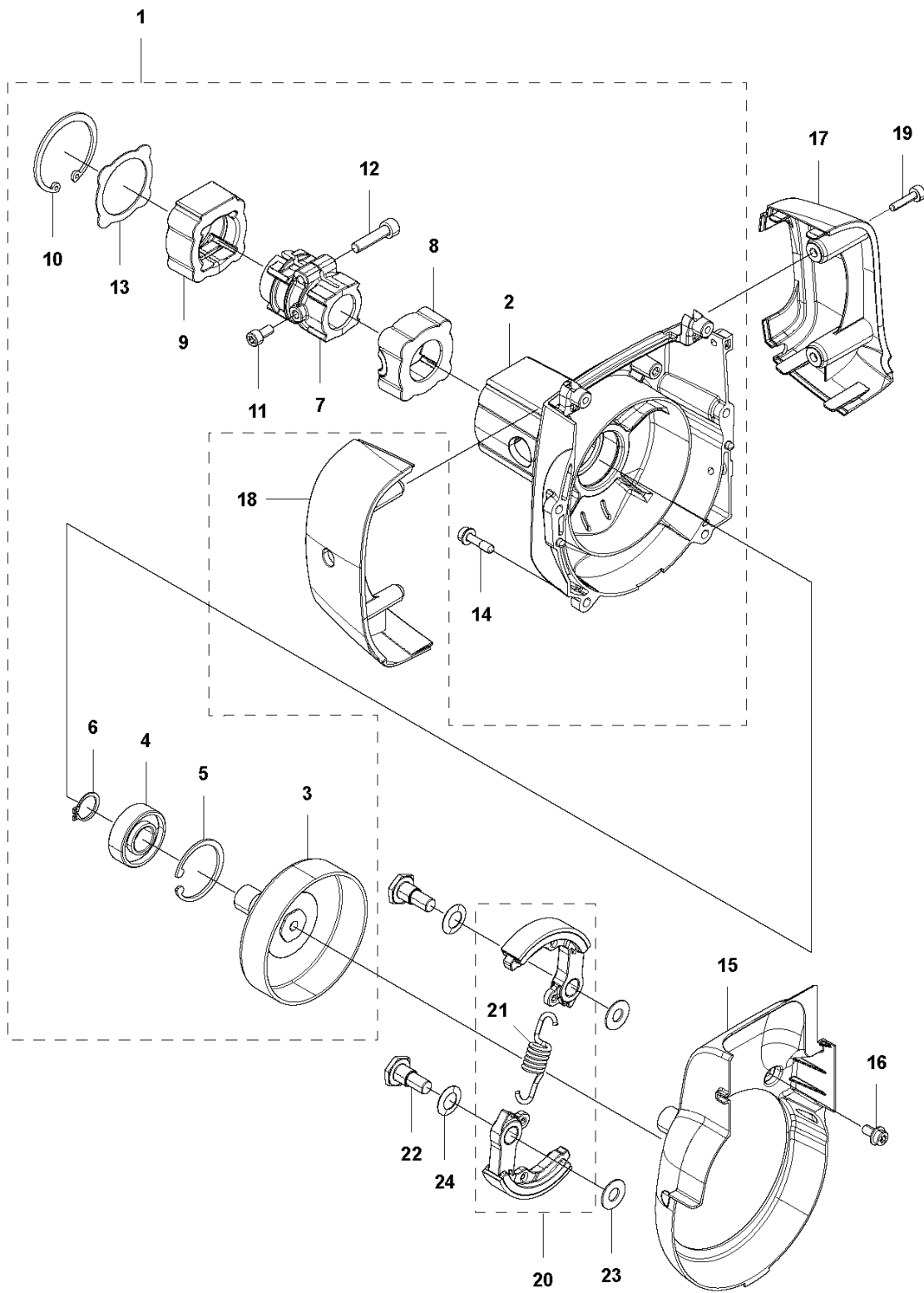
REF.	PART NO.	DESCRIPTION	REMARK	QTY.	KIT
1	577992805	CARBURETTOR	WTEA-7	1	
2	520957001	SCREEN		1	1
3	577806901	COVER		1	1
4	520976301	SCREW		1	1
5	520954801	GASKET		1	1
6	520954901	DIAPHRAGM		1	1
7	521085401	VALVE.INLET		1	1
8	516972101	GASKET		1	1
9	577807001	DIAPHRAGM		1	1
10	514189201	COVER		1	1
11	578895401	SPRING		1	1
12	578913101	NEEDLE		1	1
13	578913001	CAP		2	1
14	577807101	SCREW		1	1
15	520977401	PIN		1	1
16	577807201	LEVER		1	1
17	578895501	SHAFT		1	1
18	513593201	SPRING		1	1
19	577815701	SCREW		1	1
20	514251901	VALVE.THROTTLE		1	1
21	520759801	SCREW		3	1
25	505056501	RING		1	1
26	577815801	LEVER		1	1
27	577815501	SPRING		1	1
28	514243301	SPRING.CHOKE		1	1
29	514242601	BALL		1	1
30	577816401	SHAFT		1	1
31	579367101	VALVE		1	1
32	506738601	RETAINER RING		1	1
33	520978801	SCREW ASSY		4	1
34	578912901	NEEDLE		1	1
35	516524201	WASHER		1	1
36	513400801	SWIVEL		1	1
42	578912801	SPRING		2	1

J B40BT
CARBURETOR & AIRFILTER



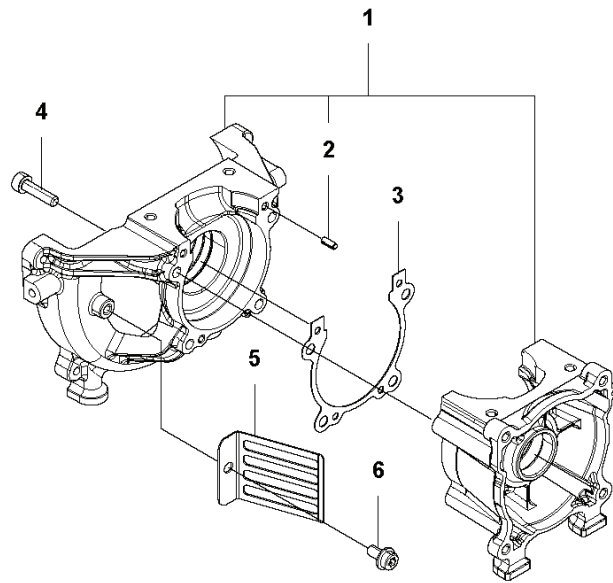
REF.	PART NO.	DESCRIPTION	REMARK	QTY.	KIT
1	576685801	INSULATOR		1	
2	576785401	GASKET		2	
3	578115301	PLATE		1	
4	577673801	GASKET		2	
5	506689001	BOLT		3	
6	579445901	PLATE		1	
7	577992805	CARBURETTOR		1	
8	577133102	CHOKE CONTROL		1	
9	503936601	PURGE		1	
10	577509501	TUBE		1	
11	577177201	SCREW		1	
12	580517801	NUT		1	
13	577133201	JOINT		1	
14	576685501	FILTER HOUSING		1	
15	579180001	FILTER COVER		1	
16	537213201	KNOB		1	15
17	577926701	AIR FILTER		1	
18	521515501	SCREW		2	
19	577882402	GASKET		1	
20	578332201	DECAL		1	

F B40BT
CLUTCH



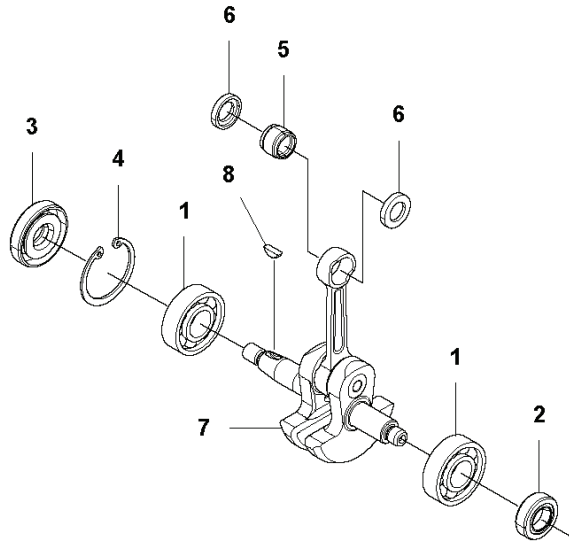
REF.	PART NO.	DESCRIPTION	REMARK	QTY.	KIT
1	579179901	HOUSING		1	
2	578331401	CLUTCH		1	1
3	505293801	DRUM		1	1
4	516131701	BEARING		1	1
5	502849301	SNAP RING		1	1
6	516124201	SNAP RING		1	1
7	578331501	CLAMP		1	1
8	521654601	ABSORBER		1	1
9	521654701	ABSORBER		1	1
10	516126401	SNAP RING		1	1
11	504119601	SCREW		1	1
12	521517501	BOLT		1	1
13	521654901	SPACER		1	1
14	577942301	BOLT		4	1
15	578325801	FAN COVER		1	
16	521515901	BOLT		2	
17	578301801	COVER		1	
18	578301901	COVER		1	
19	574444001	SCREW ITX SCT		2	
20	521636401	CLUTCH ASSY		1	
21	521523401	SPRING		1	20
22	505297801	SCREW		2	
23	505298001	WASHER		2	
24	505298101	WASHER		2	

P B40BT
CRANKCASE



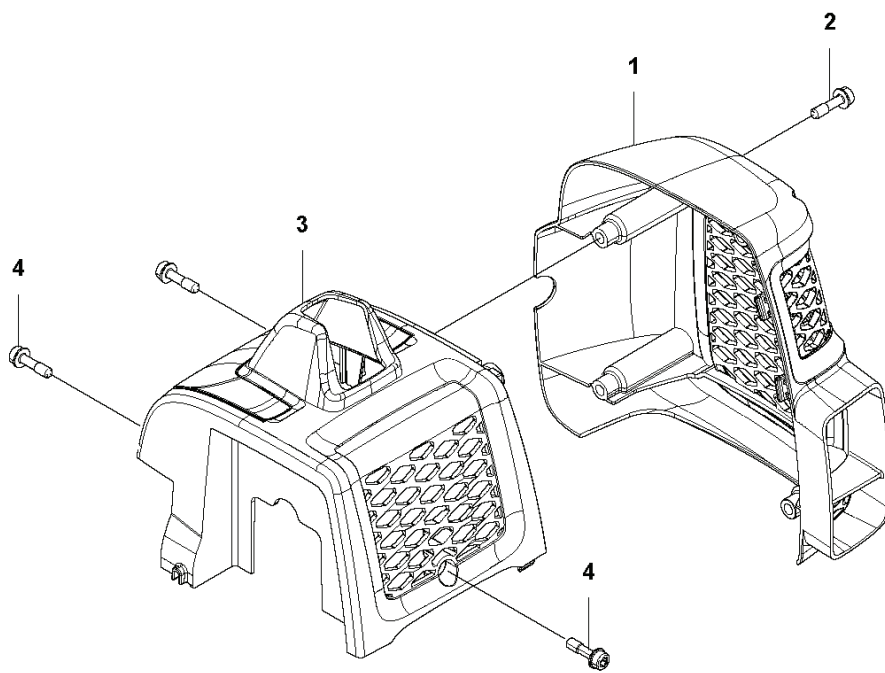
REF.	PART NO.	DESCRIPTION	REMARK	QTY.	KIT
1	521623502	CASE		1	
2	505296101	PIN		3	1
3	521623601	GASKET		1	
4	577942001	BOLT		4	
5	515412601	GUARD		1	
6	521515901	BOLT		1	

N B40BT
CRANK SHAFT



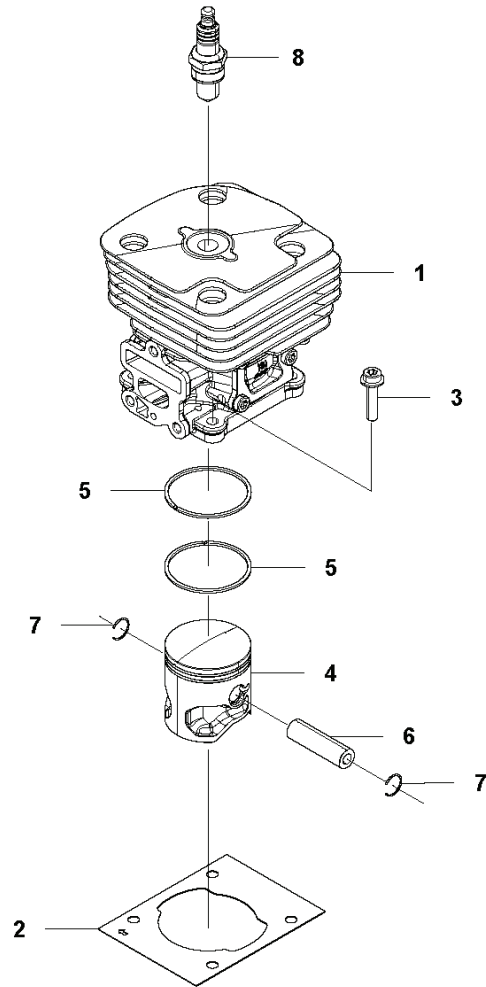
REF.	PART NO.	DESCRIPTION	REMARK	QTY.	KIT
1	504121401	BEARING		2	
2	504121501	SEALING		1	
3	505296701	SEAL		1	
4	504121001	SNAP RING		1	
5	505297301	BEARING		1	
6	513752401	WASHER		2	
7	521623901	SHAFT-COMP		1	
8	506689401	KEY		1	

G B40BT
CYLINDER COVER



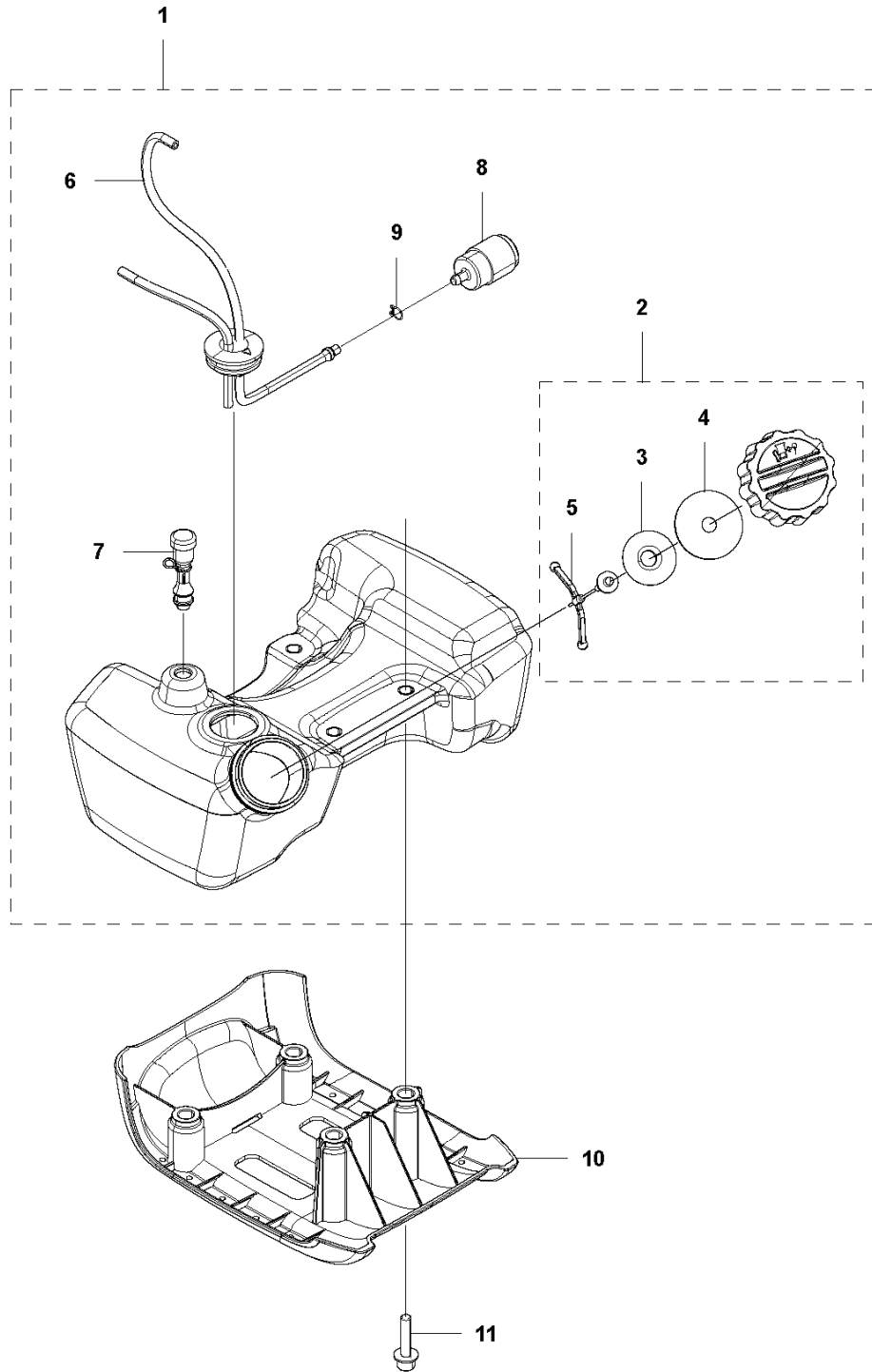
REF.	PART NO.	DESCRIPTION	REMARK	QTY.	KIT
1	578301701	MUFFLER GUARD		1	
2	577815402	BOLT		4	
3	578302001	CYLINDER COVER		1	
4	577815402	BOLT		3	

M B40BT
CYLINDER & PISTON



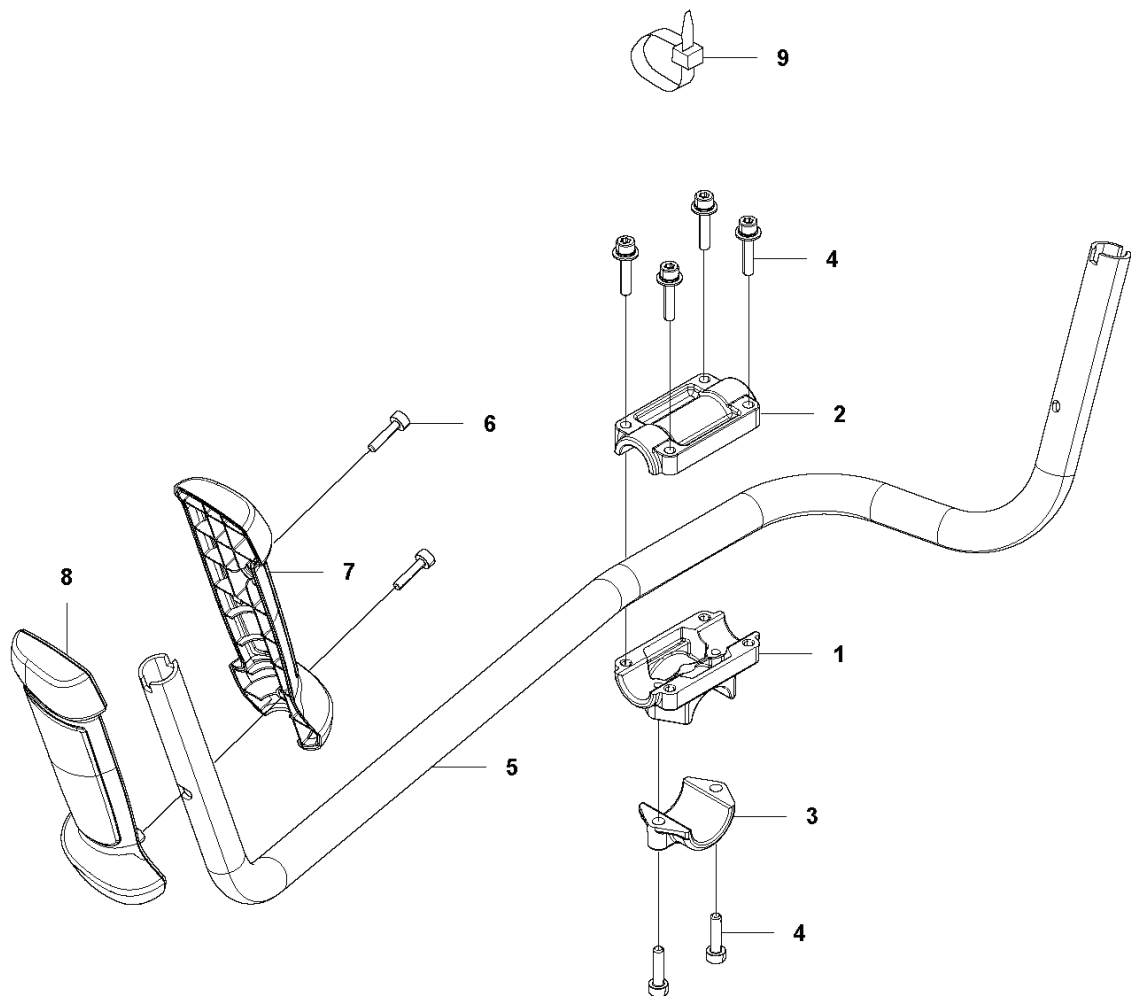
REF.	PART NO.	DESCRIPTION	REMARK	QTY.	KIT
1	577409502	CYLINDER		1	
2	521622001	GASKET		1	
3	506745201	BOLT		4	
4	577639801	PISTON		1	
5	510918001	PISTON RING		2	
6	521522701	PEN		1	
7	516283001	RING		2	
8	528074001	SPARK PLUG	NGK CMR7H-10	1	

E B40BT
FUEL TANK



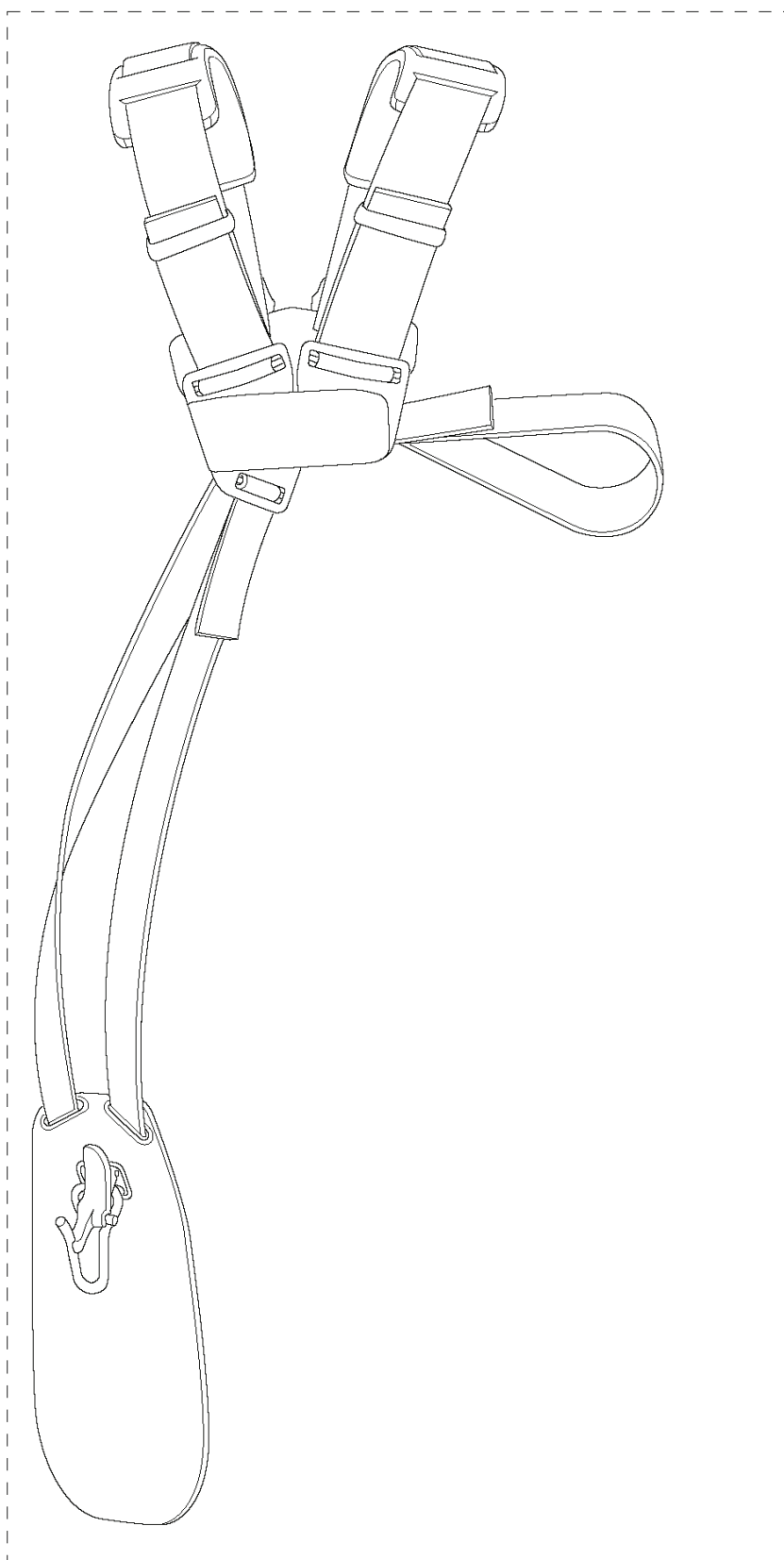
REF.	PART NO.	DESCRIPTION	REMARK	QTY.	KIT
1	578966101	FUEL TANK		1	
2	580926801	TANK CAP ASSY		1	1
3	574166001	HUB CAP		1	1.2
4	580926701	GASKET		1	1.2
5	574161901	HOLDER		1	1.2
6	577509901	PIPE		1	1
7	515387301	BREATHER		1	1
8	506614601	FILTER		1	1
9	506707001	CLIP		1	1
10	578302501	SKID PLATE		1	
11	521516901	BOLT		4	

C B40BT
HANDLE



REF.	PART NO.	DESCRIPTION	REMARK	QTY.	KIT
1	578963301	CLAMP		1	
2	578963401	CLAMP		1	
3	578963501	CLAMP		1	
4	521516901	BOLT		6	
5	578428801	HANDLEBAR		1	
6	574444001	SCREW ITX SCT		2	
7	578881901	HANDLE GRIP		1	
8	578882201	HANDLE GRIP		1	
9	514364001	BAND		1	

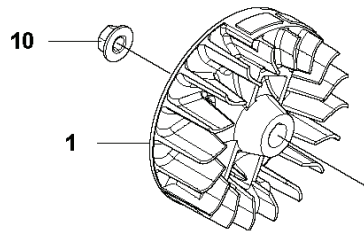
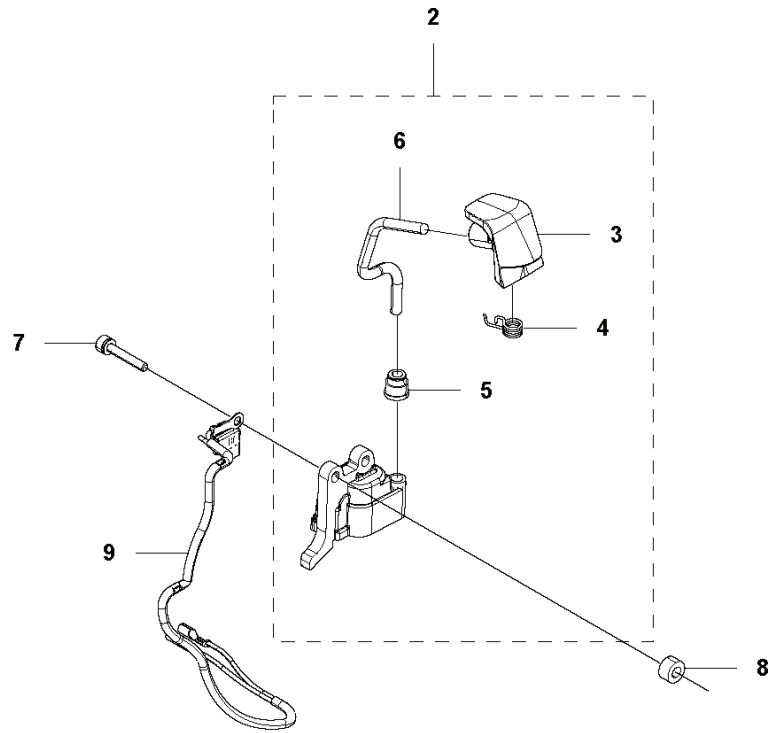
S B40BT
HARNESS



— 1

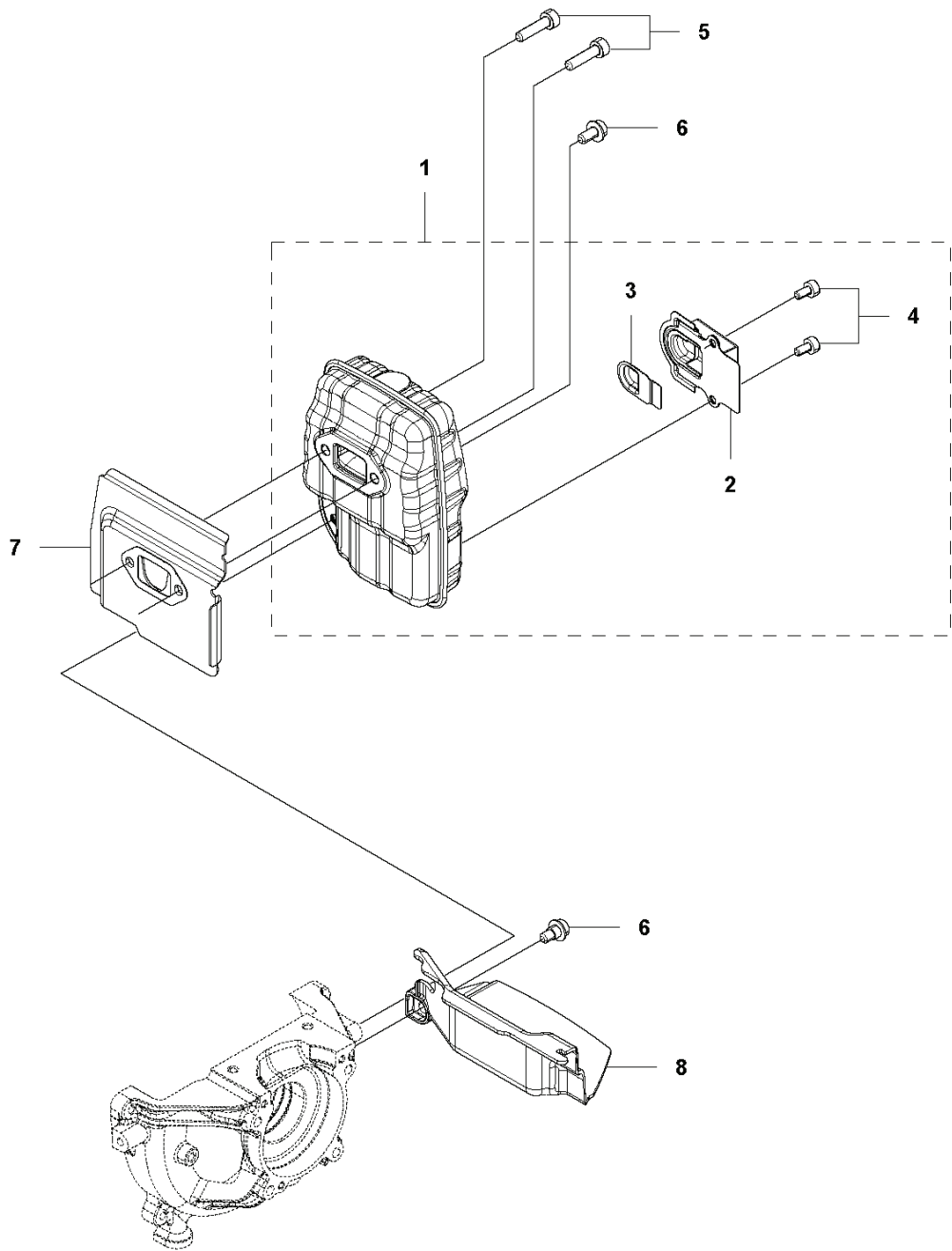
REF.	PART NO.	DESCRIPTION	REMARK	QTY.	KIT
1	544845802	HARNESS		1	

L B40BT
IGNITION SYSTEM



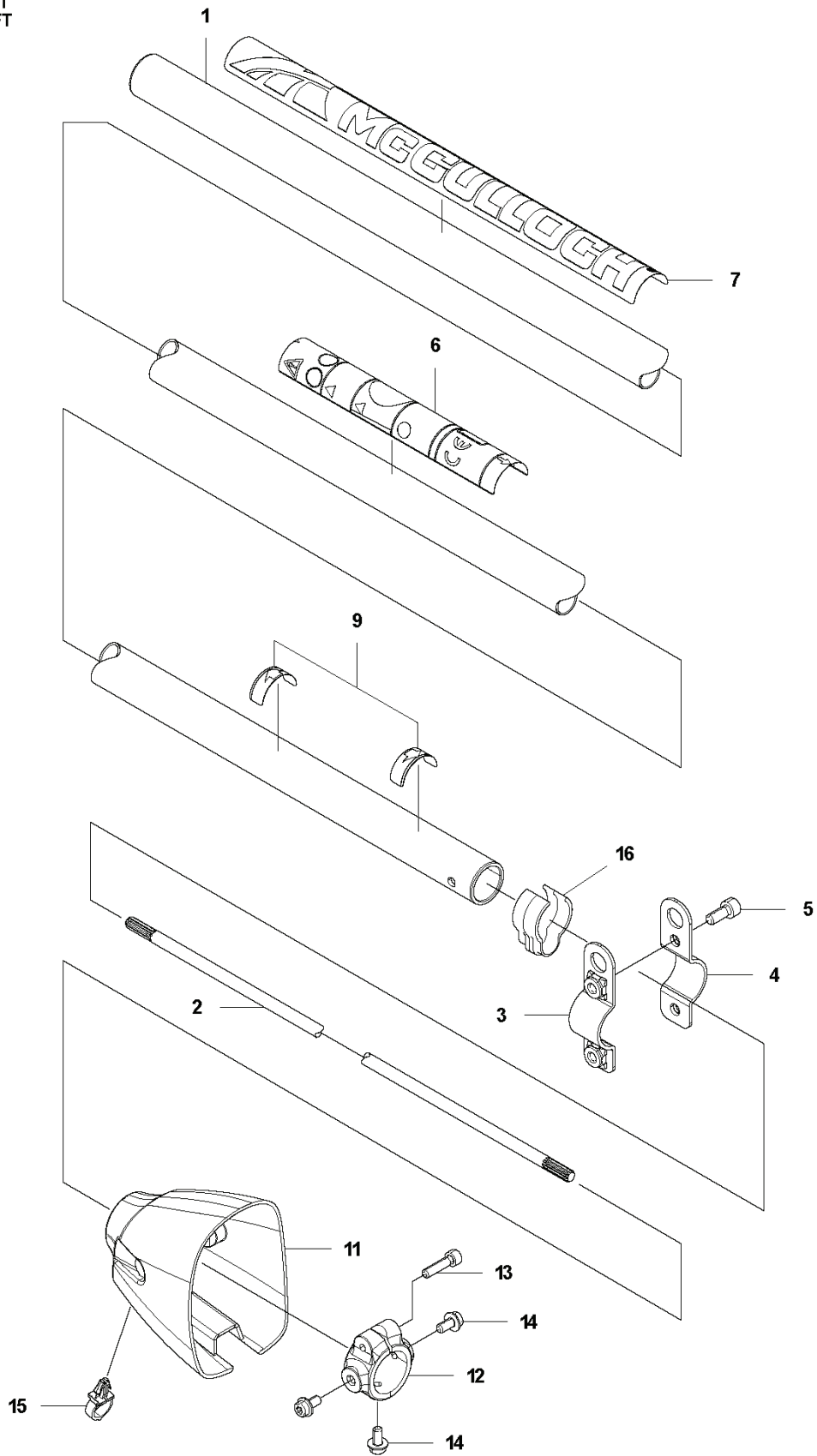
REF.	PART NO.	DESCRIPTION	REMARK	QTY.	KIT
1	577133801	ROTOR		1	
2	578335101	IGNITION MODULE ASSY		1	
3	578331601	SPARK PLUG CAP		1	2
4	506655201	SPRING		1	2
5	505042801	HUB CAP		1	2
6	577139501	IGNITION CABLE		1	2
7	521515801	BOLT		2	
8	521769701	SPACER		2	
9	578894001	CORD		1	
10	504118001	NUT		1	

H B40BT
MUFFLER



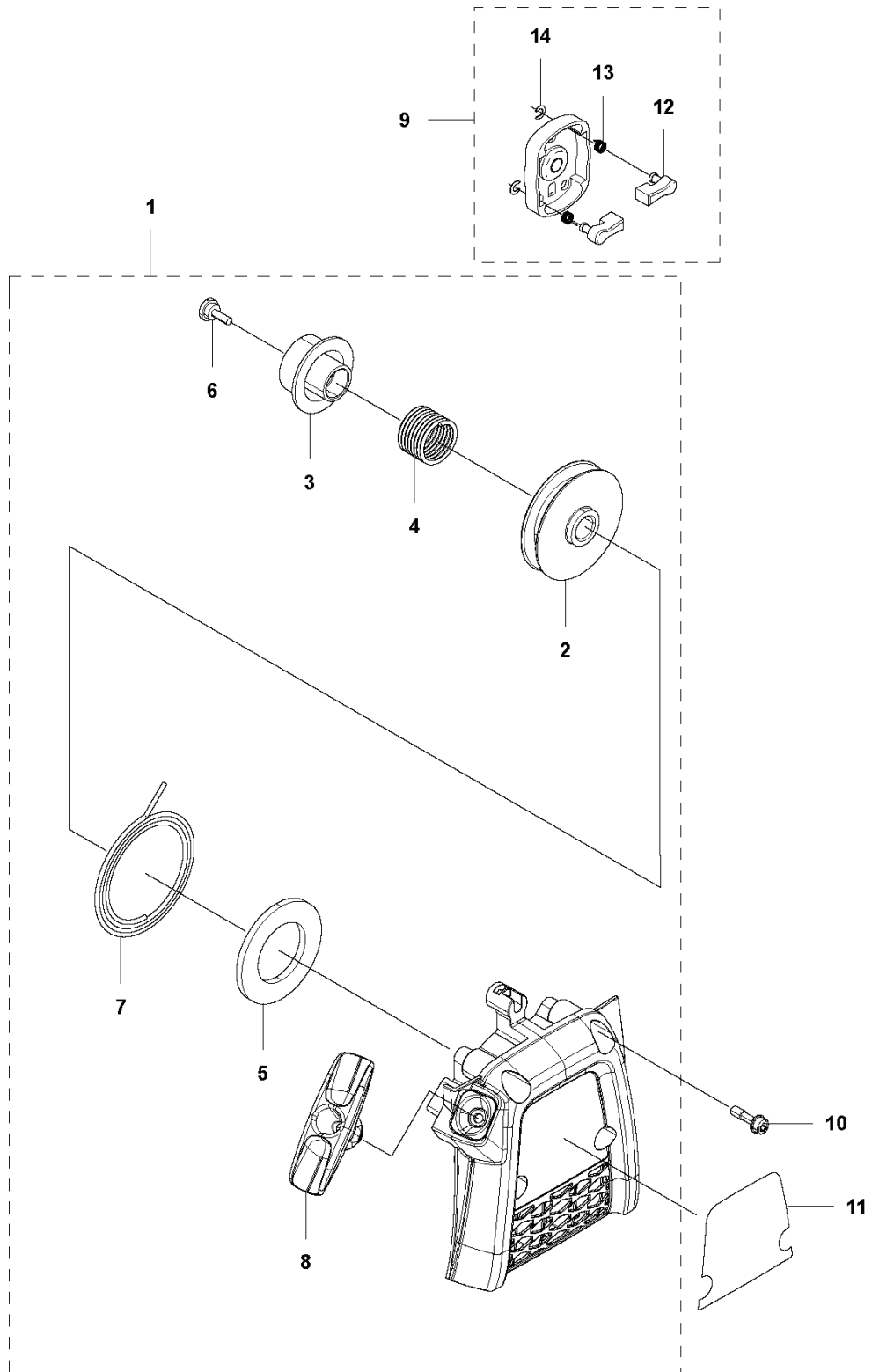
REF.	PART NO.	DESCRIPTION	REMARK	QTY.	KIT
1	576785001	MUFFLER		1	
2	521623401	GUIDE		1	1
3	521623001	ARESTER		1	1
4	544362701	BOLT		2	1
5	577942001	BOLT		2	
6	521515901	BOLT		2	
7	577804101	GASKET		1	
8	521623301	PLATE		1	

B B40BT
SHAFT



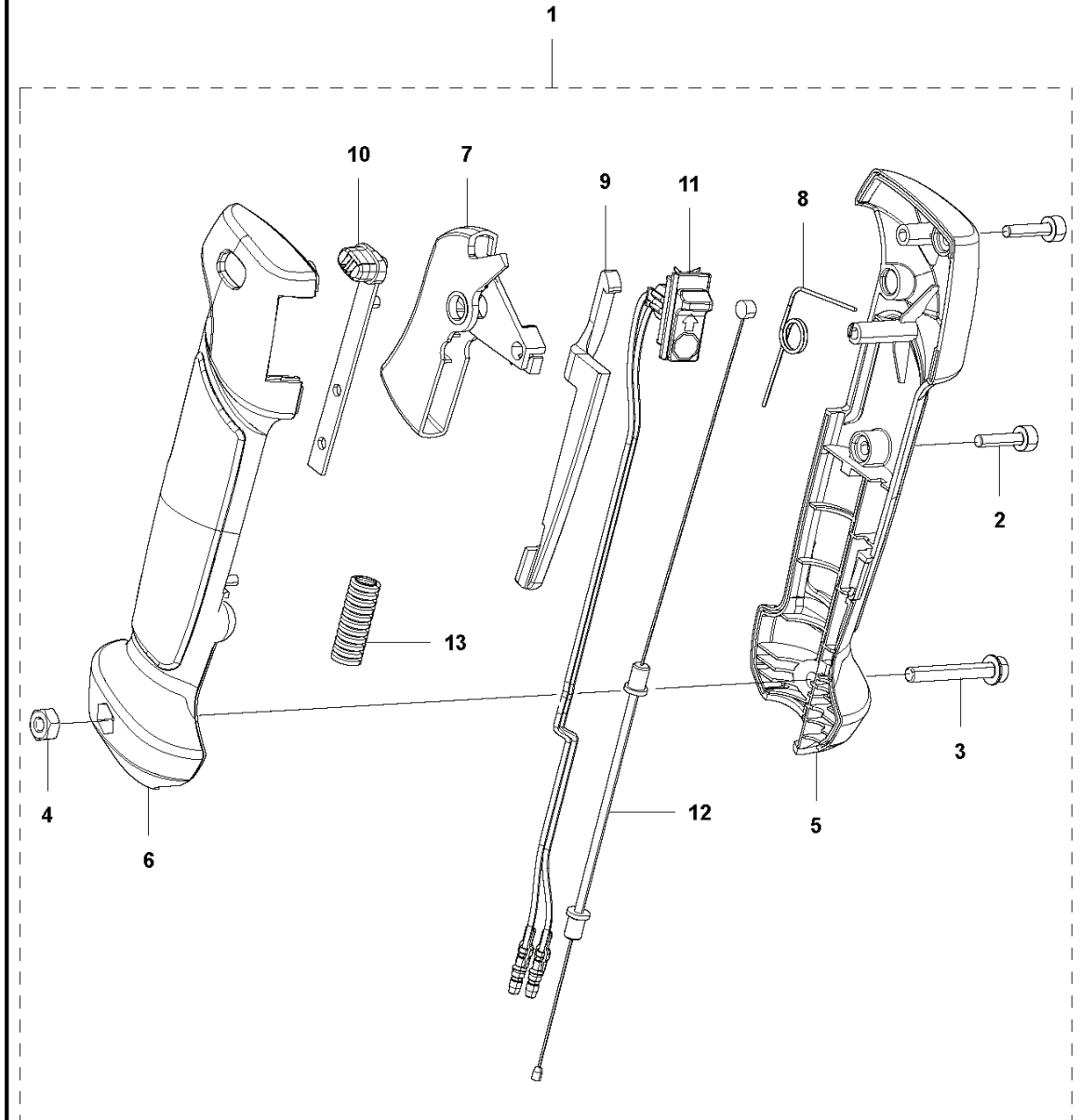
REF.	PART NO.	DESCRIPTION	REMARK	QTY.	KIT
1	578333001	TUBE		1	
2	578333201	DRIVE SHAFT		1	
3	579073601	HOOK		1	
4	579073501	HOOK		1	
5	544258001	BOLT		2	
6	581902801	DECAL		1	
7	578964301	DECAL		1	
9	580237301	DECAL		2	
11	578867502	CONE		1	
12	578862701	BRACKET		1	
13	510904601	BOLT		1	
14	521515901	BOLT		3	
15	579011501	CLIP		1	
16	521654001	CLAMP		2	

K B40BT
STARTER



REF.	PART NO.	DESCRIPTION	REMARK	QTY.	KIT
1	581612301	STARTER		1	
2	579110801	STARTER PULLEY		1	1
3	521618501	PLATE		1	1
4	521618401	SPRING		1	1
5	579110901	SPIRAL SPRING		1	1
6	515367101	SCREW		1	1
7	579111001	STARTER ROPE		1	1
8	576374601	STARTER HANDLE		1	1
9	579111101	PULLEY		1	
10	577815402	BOLT		4	
11	581339501	DECAL		1	
12	580736901	RATCHET		2	9
13	521618701	SPRING		2	9
14	513167701	E-RING		2	9

D B40BT
THROTTLE CONTROLS



REF.	PART NO.	DESCRIPTION	REMARK	QTY.	KIT
1	578336201	THROTTLE HANDLE ASSY		1	
2	574444001	SCREW ITXSCT		2	1
3	525755109	SCREW ITXSCFM		1	1
4	503221010	HEXAGON NUT		1	1
5	578333701	HANDLE GRIP		1	1
6	578333801	HANDLE GRIP		1	1
7	578333901	THROTTLE LEVER		1	1
8	580721201	SPRING		1	1
9	578334001	THROTTLE LOCKOUT		1	1
10	578334101	THROTTLE		1	1
11	579378901	SHORT CIRCUIT CABLE		1	1
12	578334301	THROTTLE CABLE		1	1
13	577601401	TUBE		1	1