



SUPERLITE 4528, ERGOLITE 6028

EAC

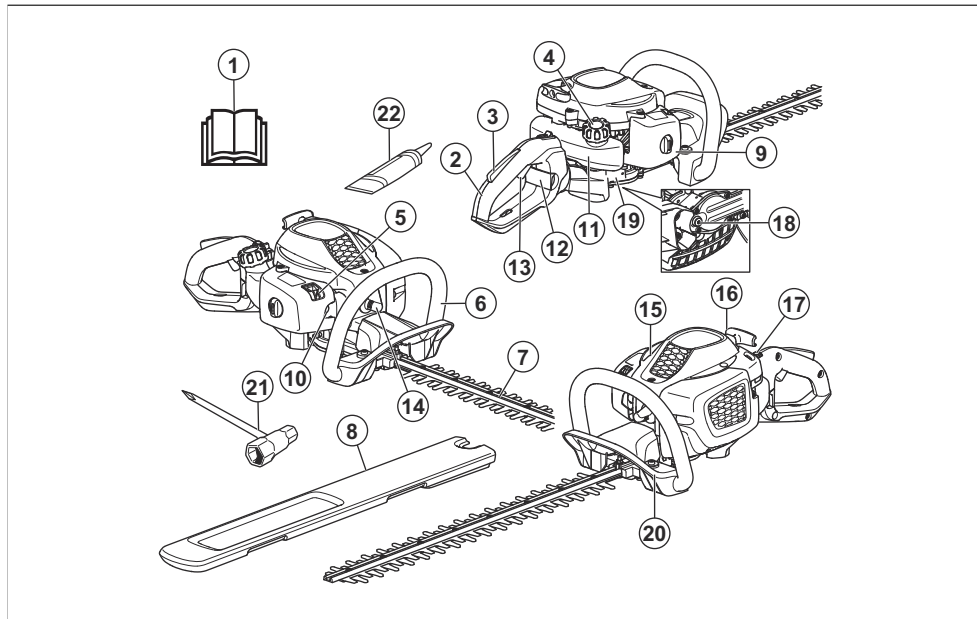
EN	Operator's manual	2-17
SV	Bruksanvisning	18-32
DA	Brugsanvisning	33-48
NO	Bruksanvisning	49-64
FI	Käyttöohje	65-80
DE	Bedienungsanweisung	81-97
FR	Manuel d'utilisation	98-115
NL	Gebruiksaanwijzing	116-132
ES	Manual de usuario	133-149
PT	Manual do utilizador	150-166
IT	Manuale dell'operatore	167-183
ET	Kasutusjuhend	184-199
LV	Lietošanas pamācība	200-215
LT	Operatoriaus vadovas	216-231
CS	Návod k použití	232-247
SK	Návod na obsluhu	248-263
HU	Használati utasítás	264-280
PL	Instrukcja obsługi	281-297
HR	Priručnik za korištenje	298-313
RU	Руководство по эксплуатации	314-331
BG	Ръководство за експлоатация	332-349
RO	Instrucțiuni de utilizare	350-366
EL	Οδηγίες χρήσης	367-384
BS	Korisnički priručnik	385-400
SR	Priručnik za rukovaoca	401-416
SL	Navodila za uporabo	417-432
TR	Kullanım kılavuzu	433-448

Contents

Introduction.....	2	Troubleshooting.....	13
Safety.....	3	Transportation, storage and disposal.....	14
Operation.....	8	Technical data.....	14
Maintenance.....	10	EC Declaration of Conformity.....	16

Introduction

Product overview



1. Operator's manual
2. Rear handle
3. Throttle trigger lockout
4. Fuel tank cap
5. Choke control
6. Front handle
7. Blade and blade guard
8. Transport guard
9. Air filter cover
10. Air purge bulb
11. Fuel tank
12. Handle lock (ErgoLite)
13. Throttle trigger
14. Spark plug cap and spark plug
15. Cylinder cover
16. Starter rope handle

17. Stop switch
18. Lubricant filler cap
19. Gear housing
20. Hand guard
21. Combination wrench
22. Tube of grease

Product description

The product is a hedge trimmer with a combustion engine.

Intended use

Use the product to cut branches and twigs. Do not use the product for other tasks.

Symbols on the product



WARNING! This product can be dangerous and cause serious injury or death to the operator or others. Be careful and use the product correctly.



Read the operator's manual carefully and make sure that you understand the instructions before use.



Use approved hearing protection and approved eye protection.



Use approved protective gloves.



Use heavy-duty slip-resistant boots.



Air purge bulb.



Choke.



Lock for handle adjustment.



Fuel.



Noise emissions to the environment according to European Directive 2000/14/EC and New South Wales legislation "Protection of the Environment Operations (Noise Control) Regulation 2017". Noise emission data can be found on the machine label and in the Technical data chapter.



The product agrees with the applicable EC directives.

yyyywwxxxx

The rating plate shows serial number. **yyyy** is the production year and **ww** is the production week.

Note: Other symbols/decals on the product refer to certification requirements for some markets.

Euro V Emissions



WARNING: Tampering with the engine voids the EU type-approval of this product.

Safety

Safety definitions

Warnings, cautions and notes are used to point out specially important parts of the manual.



WARNING: Used if there is a risk of injury or death for the operator or bystanders if the instructions in the manual are not obeyed.



CAUTION: Used if there is a risk of damage to the product, other materials or the adjacent area if the instructions in the manual are not obeyed.

Note: Used to give more information that is necessary in a given situation.

General safety instructions



WARNING: Read the warning instructions that follow before you use the product.

- Incorrect or careless use of the product can turn it into a dangerous tool that can cause serious or even fatal injury. It is extremely important that you read and understand the contents of this operator's manual.
- This product produces an electromagnetic field during operation. This field may under some circumstances interfere with active or passive medical implants. To reduce the risk of serious or fatal injury, we recommend persons with medical implants to consult their physician and the medical implant manufacturer before operating this product.
- Overexposure to vibration can lead to circulatory damage or nerve damage in people who have impaired circulation. Contact your doctor if you

experience symptoms of overexposure to vibration. Such symptoms include numbness, loss of feeling, tingling, pricking, pain, loss of strength, changes in skin color or condition. These symptoms normally appear in the fingers, hands or wrists. The risk increases at low temperatures.

- A used muffler and spark arrester may contain carcinogenic combustion particles. Avoid exposure to these compounds when you handle the muffler or spark arrester. Before you handle the muffler or spark arrester, read the instructions in *To do a check of the muffler on page 6*.
- If you encounter a situation where you are uncertain how to proceed you should ask an expert. Contact your dealer or your service workshop. Avoid all usage which you consider to be beyond your capability.
- Keep in mind that the operator is responsible for accidents or hazards occurring to other people or their property.
- Never allow anyone else to use the product without first ensuring that they have understood the contents of the operator's manual.
- Never allow children to use or be in the vicinity of the product. As the product is equipped with a spring-loaded stop switch and can be started by low speed and force on the starter handle, even small children under some circumstances can produce the force necessary to start the product. This can mean a risk of serious personal injury. Therefore remove the spark plug cap when the product is not under close supervision.
- Store the product out of reach of children.
- Never use the product if you are tired, if you have drunk alcohol, or if you are taking medication that could affect your vision, your judgement or your coordination.
- Never use a product that is faulty. Carry out the checks, maintenance and service instructions described in this manual. Some maintenance and service measures must be carried out by trained and qualified specialists. Refer to instructions under the heading Maintenance.
- Never use a product that has been modified in any way from its original specification.

- Observe your surroundings and make sure that there is no risk of people or animals coming into contact with the cutting equipment.
- Inspect the working area. Remove any objects that could be thrown out.
- Always ensure you have a safe and stable working position.
- Never leave the product unsupervised with the engine running.
- Make sure that your hands and feet do not come near the cutting unit when the engine is running.
- If anything jams in the blades while you are working, switch off the engine and wait until it has stopped completely before cleaning the blades. Disconnect the spark plug cap from the spark plug.
- When the engine is switched off, keep your hands and feet away from the cutting unit until it has stopped completely.
- Watch out for stumps of branches that can be thrown out during cutting.
- Listen out for warning signals or shouts when you are wearing hearing protection. Always remove your hearing protection as soon as the engine stops.
- Never work from a ladder, stool or any other raised position that is not fully secured.
- Always use both hands to hold the product. Hold the product in front of your body.
- If any foreign object is hit or if vibrations occur stop the product immediately. Disconnect the spark plug cap from the spark plug. Check that the product is not damaged. Repair any damage.
- Ensure that the spark plug cap and ignition lead are undamaged to avoid the risk of electric shock.
- Check that all nuts and screws are tight.
- Make sure the gearbox is lubricated correctly. Refer to *To lubricate the gear housing on page 13*.
- The gearbox gets hot when the product has been in use. To avoid burning yourself do not touch the gearbox.
- All covers and guards must be fitted before starting.
- If the blades get stuck, they can be loosened by sticking the combination wrench into the gearbox. Stick the combination wrench into the gearing and turn it back and forth. Refer to *To lubricate the gear housing on page 13*.
- The transport guard should always be fitted to the cutting unit when the product is not in use.

Safety instructions for operation



WARNING: Read the warning instructions that follow before you use the product.

- Never use the product in extreme weather conditions such as severe cold, very hot and/or humid climates.
- Faulty blades can increase the risk of accidents.
- Ensure that no people or animals comes closer than 15 m / 50 ft while you work.

Personal protective equipment

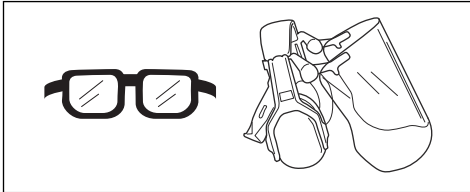


WARNING: Read the warning instructions that follow before you use the product.

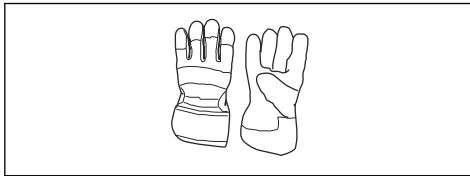
- Always use approved personal protective equipment when you use the product. Personal protective equipment cannot fully prevent injury but it decreases the degree of injury if an accident does

occur. Let your dealer help you select the right equipment.

- Use approved hearing protection that provides adequate noise reduction. Long-term exposure to noise can result in permanent hearing impairment.
- Use approved eye protection. If you use a visor, you must also use approved protective goggles. Approved protective goggles must comply with the ANSI Z87.1 standard in the USA or EN 166 in EU countries.



- Use gloves when necessary, for example when you attach, examine or clean the cutting equipment.



- Use sturdy non-slip boots or shoes.



- Use clothing made of a strong fabric. Always use heavy, long pants and long sleeves. Do not use loose clothing that can catch on twigs and branches. Do not wear jewelry, short pants, sandals or go with bare feet. Put your hair up safely above shoulder level.
- Keep first aid equipment close at hand.



Safety devices on the product

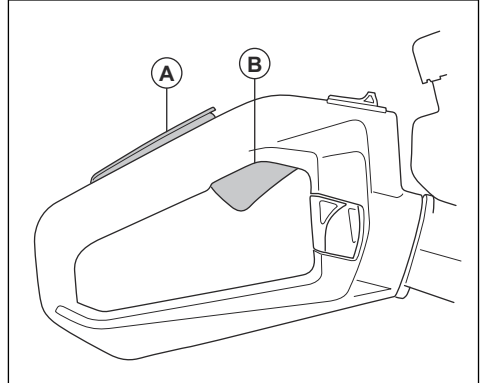


WARNING: Read the warning instructions that follow before you use the product.

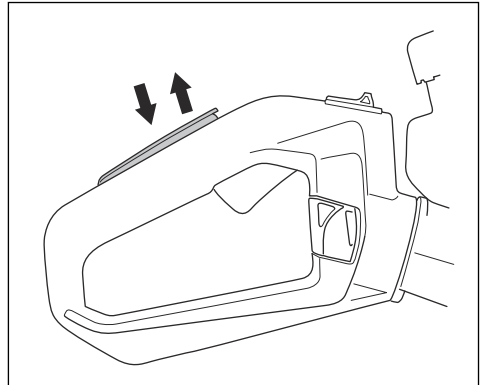
- Do not use a product with defective safety devices.
- Do a check of the safety devices regularly. If the safety devices are defective, speak to your McCULLOCH service agent.

To do a check of the throttle trigger lockout

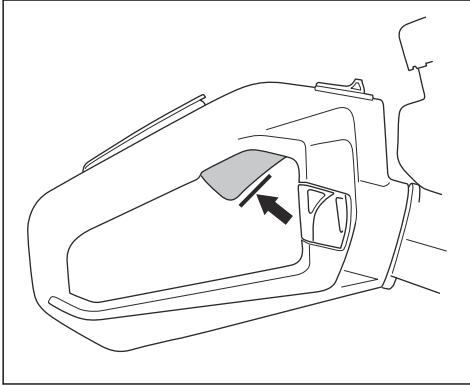
1. Make sure that the throttle trigger lockout (A) and throttle trigger (B) move freely and that the return spring operates correctly.



2. Push down the throttle trigger lockout and make sure that it goes back to its initial position when you release it.



3. Release the throttle trigger lockout and make sure that the throttle trigger is locked at idle speed position.



4. Start the engine and apply full throttle.
5. Release the throttle trigger and make sure that the blades stop fully.



WARNING: If the blades move when the throttle trigger is in the idle speed position, adjust the idle speed. Refer to *To adjust the idle speed on page 11*.

To do a check of the stop switch

1. Start the engine.
2. Push the stop switch to the stop position and make sure that the engine stops.



WARNING: The stop switch automatically goes back to start position. To prevent accidental start, remove the spark plug cap from the spark plug when you assemble or do maintenance on the product.

To do a check of the hand guard

The hand guard prevents injuries from the blades.

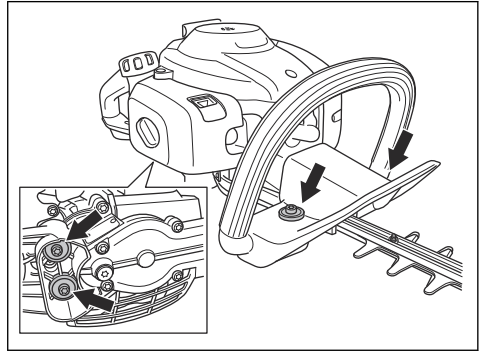
1. Stop the engine.
2. Make sure that the hand guard is attached correctly.
3. Examine the hand guard for damages.

To do a check of the vibration damping system

The vibration damping system decreases vibration in the handles. The vibration damping units operate as a separation between the product body and the handle unit.

1. Do a visual check for deformation and damage.

2. Make sure that the vibration damping units are correctly attached.



To do a check of the muffler



WARNING: Do not operate the product without a muffler or a defective muffler. A defective muffler can increase the noise level and the risk of fire. Do not use the product without, or with a broken, spark arrester screen. The spark arrester screen must be replaced if it is damaged.



WARNING: A used muffler and spark arrester can contain carcinogenic combustion particles. Use protective gloves and do maintenance in a well-ventilated environment to avoid skin contact and inhalation of carcinogenic particles. Do not use pressurized air to clean the spark arrester. Use a wire brush and do the brush movement away from your body when you clean the spark arrester.



WARNING: The mufflers become very hot during and after operation, also at idle speed.



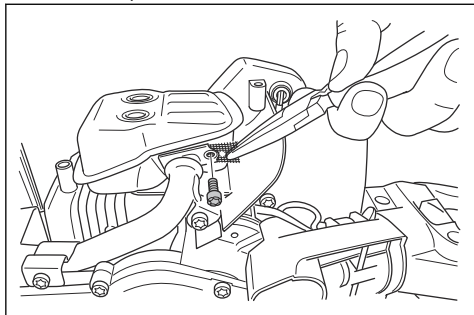
CAUTION: If the spark arrester screen is frequently blocked it can be a sign that performance of the catalytic converter is decreased. Turn to your servicing dealer to examine the muffler. A blocked spark arrester screen will cause overheating and result in damage to the cylinder and piston.



WARNING: The inner surfaces of the muffler contain chemicals that can cause cancer. Be careful not to touch these elements if the muffler is damaged.

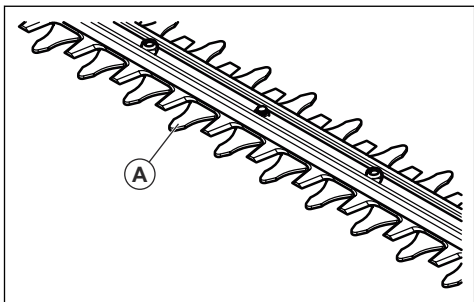
The muffler keeps the noise levels to a minimum and points the exhaust fumes away from the operator. A muffler with a catalytic converter decrease harmful exhaust gases.

1. Stop the engine.
2. Do a visual check for damage and deformation.
3. Make sure that the muffler is correctly attached to the product.
4. Clean the spark arrester screen with a wire brush.



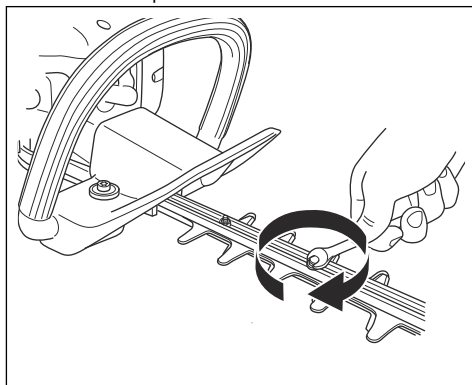
To do a check of the blade and blade guard

The outer part of the blades (A) has the function as blade guards. The blade guard protects the operator from accidental contact with the blade.



1. Stop the engine and make sure that the cutting unit stops.
2. Remove the spark plug cap from the spark plug.
3. Put on protective gloves.
4. Make sure that the blade and blade guard is not damaged or bent. Always replace a damaged or bent blade.

5. Make sure that the screws on the cutting unit are attached. Torque the screws to 7-10 Nm.



Fuel safety



WARNING: Read the warning instructions that follow before you use the product.

- Do not start the product if there is fuel or engine oil on the product. Remove the unwanted fuel/oil and let the product dry.
- If you spill fuel on your clothing, change clothing immediately.
- Do not get fuel on your body, it can cause injury. If you get fuel on your body, use soap and water to remove the fuel.
- Do not start the product if the engine has a leak. Examine the engine for leaks regularly.
- Be careful with fuel. Fuel is flammable and the fumes are explosive and can cause injuries or death.
- Do not breathe in the fuel fumes, it can cause injury. Make sure that there is a sufficient airflow.
- Do not smoke near the fuel or the engine.
- Do not put warm objects near the fuel or the engine.
- Do not add the fuel when the engine is on.
- Make sure that the engine is cool before you refuel.
- Before you refuel, open the fuel tank cap slowly and release the pressure carefully.
- Do not add fuel to the engine in an indoor area. Not sufficient airflow can cause injury or death because of asphyxiation or carbon monoxide.
- Tighten the fuel tank cap fully. If the fuel tank cap is not tightened, there is a risk of fire.
- Move the product a minimum of 3 m / 10 ft from the position where you filled the tank before a start.
- Do not fill the fuel tank fully. Heat causes the fuel to expand. Keep a space at the top of the fuel tank.

Safety instructions for maintenance



WARNING: Read the warning instructions that follow before you use the product.

- Stop the engine and make sure that the cutting equipment stops. Let the product become cool before you do the maintenance.
- Disconnect the spark plug cap before you do the maintenance.
- The exhaust fumes from the engine contain carbon monoxide, an odourless, poisonous and very dangerous gas that can cause death. Do not run the product indoors or in closed spaces.
- The exhaust fumes from the engine are hot and can contain sparks. Do not run the product indoors or near flammable material.

- Accessories and changes to the product that are not approved by the manufacturer, can cause serious injury or death. Do not change the product. Always use original accessories.
- If the maintenance is not done correctly and regularly, there is an increased risk of injury and damage to the product.
- Only do the maintenance as this operator's manual recommends. Let an approved McCULLOCH service agent do all other servicing.
- Let an approved McCULLOCH service agent do servicing on the product regularly.
- Replace damaged, worn or broken parts.

Operation

Introduction



WARNING: Read and understand the safety chapter before you use the product.

Fuel

This product has a two-stroke engine.



CAUTION: Incorrect type of fuel can result in engine damage. Use a mixture of gasoline and two-stroke oil.

Two-stroke oil

- For best results and performance use McCULLOCH two-stroke oil.
- If McCULLOCH two-stroke oil is not available, use a two-stroke oil of good quality for air-cooled engines. Speak to your servicing dealer to select the correct oil.



CAUTION: Do not use two-stroke oil for water-cooled outboard engines, also referred to as outboard oil. Do not use oil for four-stroke engines.

Premixed fuel

- Use McCULLOCH premixed alkylate fuel for best performance and extension of the engine life. This fuel contains less harmful chemicals compared to regular fuel, which decreases harmful exhaust fumes. The quantity of remains after combustion is lower with this fuel, which keeps the components of the engine more clean.

To mix fuel

Gasoline

- Use good quality unleaded gasoline with a maximum of 10% ethanol contents.



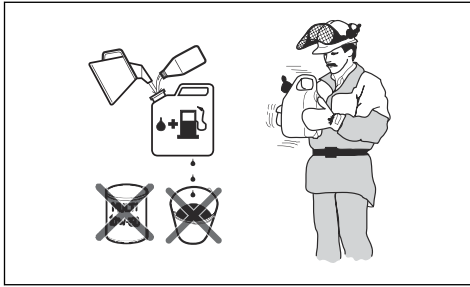
CAUTION: Do not use gasoline with an octane grade less than 90 RON/87 AKI. Use of a lower octane grade can cause engine knocking, which causes engine damages.

To mix gasoline and two-stroke oil

Gasoline, liter	Two-stroke oil, liter
	2% (50:1)
5	0.10
10	0.20
15	0.30
20	0.40



CAUTION: Small errors can influence the ratio of the mixture drastically when you mix small quantities of fuel. Measure the quantity of oil carefully and make sure that you get the correct mixture.



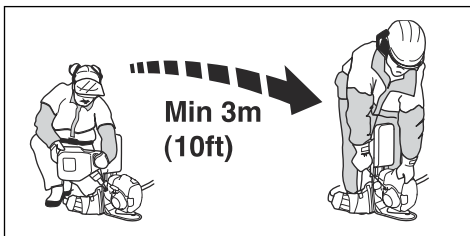
1. Fill half the quantity of gasoline in a clean container for fuel.
2. Add the full quantity of oil.
3. Shake the fuel mixture.
4. Add the remaining quantity of gasoline to the container.
5. Carefully shake the fuel mixture.



CAUTION: Do not mix fuel for more than 1 month at a time.

To fill the fuel tank

1. Clean the area around the fuel tank cap.
2. Shake the container and make sure that the fuel is fully mixed. Use a fuel container with an anti-spill valve.
3. Remove the fuel tank cap.
4. Fill the fuel tank.
5. Tighten the fuel tank cap carefully.
6. Move the product 3 m (10 ft) or more away from the refueling area and fuel source before starting.

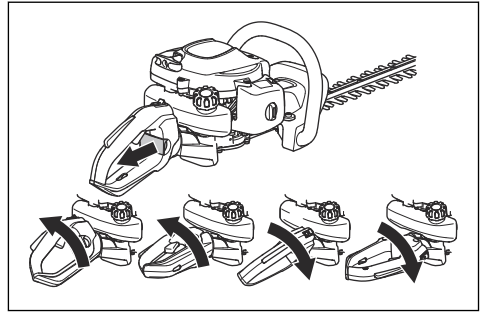


CAUTION: Contamination in the tanks causes malfunction. Clean the fuel tank and chain oil tank regularly and replace the fuel filter one time a year or more.

To adjust the handle (ERGOLITE 6028)

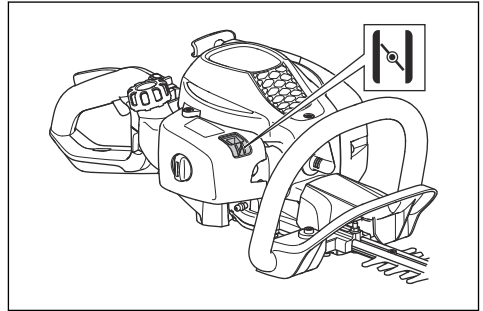
The rear handle can be adjusted into 5 positions.

- Release the handle lock and turn the handle.



To start the product with a cold engine

1. Pull the choke control to choke position.



2. Push the air purge bulb approximately 6 times or until the bulb starts to fill with fuel. It is not necessary to fill the air purge bulb fully.
3. Hold the body of the product on the ground with your left hand. Do not step on the product.
4. Pull the starter rope handle slowly with your right hand until you feel some resistance, then pull the starter rope handle quickly and with force.



WARNING: Do not wind the starter rope around your hand.



CAUTION: Do not pull the starter rope to full extension and do not let go of the starter rope handle.

5. Continue to pull the starter rope handle until the engine fires, then push the choke control to its initial position.



WARNING: The blades move when the engine starts.

6. Continue to pull the starter rope handle until the engines starts.

7. Push and release the throttle trigger to set the engine to idle speed.
8. Push the throttle trigger gradually to increase the engine speed.
9. Make sure that the engine runs smoothly.

To start the product with a warm engine

1. Hold the body of the product on the ground with your left hand. Do not step on the product.
2. Pull the starter rope handle slowly with your right hand until you feel some resistance, then pull the starter rope handle quickly and with force. Continue until the engine starts.

Note: For more information about how to start the product, refer to *To start the product with a cold engine on page 9.*

To stop the product

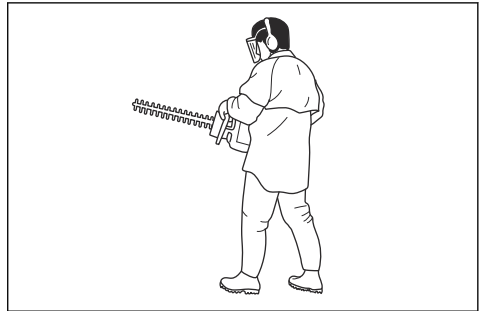
- Move the stop switch to the stop position to stop the engine.



CAUTION: The stop switch automatically goes back to run position.

To operate the product

1. Start near the ground and move the product up along the hedge when you cut the sides. Make sure that the body of the product does not touch the hedge.



WARNING: Make sure that the front of the cutting equipment does not touch the ground.

2. Adjust the speed to align with the work load.
3. Hold the product near your body for a stable work position.
4. Be careful and operate the product slowly.

Maintenance

Introduction



WARNING: Read and understand the safety chapter before you do maintenance on the product.

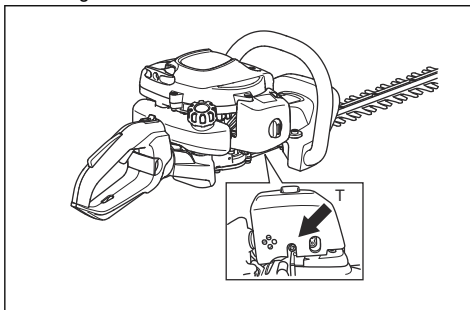
Maintenance schedule

Maintenance	Before operation	After 40 h	After 100 h
Clean the external surface.		After each operation.	
Clean the muffler, exhaust pipe and engine from leaves, dirt and unwanted lubricant.		After each operation.	
Make sure that the cutting unit does not move at idle speed.	X		
Do a check of the stop switch. Refer to <i>To do a check of the stop switch on page 6.</i>	X		
Examine the cutting unit for damages and cracks. Replace if it is damaged.	X		
Examine the hand guard for damages and cracks. Replace if it is damaged.	X		
Do a check of the throttle trigger lockout and the throttle trigger. Refer to <i>To do a check of the throttle trigger lockout on page 5.</i>	X		
Examine the engine, the fuel tank and the fuel hose for leaks.	X		

Maintenance	Before operation	After 40 h	After 100 h
Tighten nuts and screws.	X		
Clean or replace the spark arrester screen on the muffler. Refer to <i>To do a check of the muffler on page 6.</i>		X	
Examine the starter and the starter rope for damages.		X	
Do a check that the screws that hold the blades together are correctly tightened.		X	
Clean the air filter. Clean more frequently if used in areas which has dust. Replace if it is damaged.		X	
Examine the vibration damping units for damages and cracks. Replace if it is damaged.		X	
Clean the external surface of the spark plug and the area around it. Remove the spark plug and measure the electrode gap. Adjust the electrode gap or replace the spark plug. Refer to <i>To examine the spark plug on page 12.</i>		X	
Clean the cooling system.		X	
Clean the external surface of the carburetor and the area around it.		X	
Examine the fuel filter for contamination and the fuel hose for cracks and other defects. Replace if it is damaged.			X
Clean the spark arrester screen on the muffler, replace if it is damaged.			X
Clean the inner surface of the fuel tank.			X
Replace the spark plug.			X
Examine the clutch, clutch spring and the clutch drum for wear. Replace if it is damaged by an approved servicing dealer.			X
Make sure that the gear housing is filled with grease.			X
Do a check of all cables and connections.			X

To adjust the idle speed

1. Clean the air filter and attach the air filter cover.
2. Start the product. Refer to *To start the product with a cold engine on page 9.*
3. Turn the idle adjustment screw T clockwise until the cutting unit starts to move.



4. Turn the idle adjustment screw counterclockwise until the cutting unit stops.



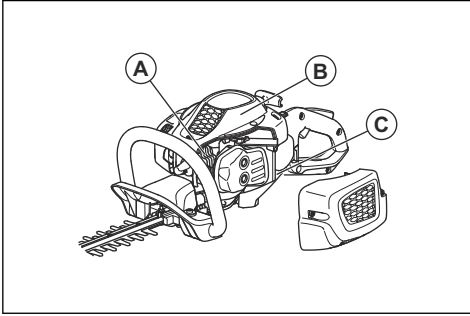
WARNING: If the cutting unit does not stop when you adjust the idle speed, speak to your nearest servicing dealer. Do not use the product until it is correctly adjusted or repaired.

Note: The idle speed is correct when the engine operates smoothly in all positions. Refer to *Technical data on page 14* for the recommended idle speed.

To clean the cooling system

The cooling system keeps the engine temperature down. The cooling system includes the cooling fins on

the cylinder (A), the cylinder cover (B) and the air intake through the crankcase (C).



CAUTION: The air intake between the fuel tank and crankcase is easily blocked by leaves. Clean the air intake fully.

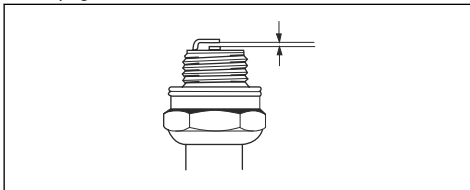
1. Clean the cooling system with a brush weekly or more frequently if it is necessary.
2. Make sure that the cooling system is not dirty or blocked.

To examine the spark plug



CAUTION: Always use the recommended spark plug type. Incorrect spark plug type can cause damage to the product.

- Examine the spark plug if the engine is low on power, is not easy to start or does not operate correctly at idle speed.
- To decrease the risk of unwanted material on the spark plug electrodes, obey these instructions:
 - a) Make sure that the idle speed is correctly adjusted.
 - b) Make sure that the fuel mixture is correct.
 - c) Make sure that the air filter is clean.
- If the spark plug is dirty, clean it and make sure that the electrode gap is correct, refer to *Technical data on page 14*.



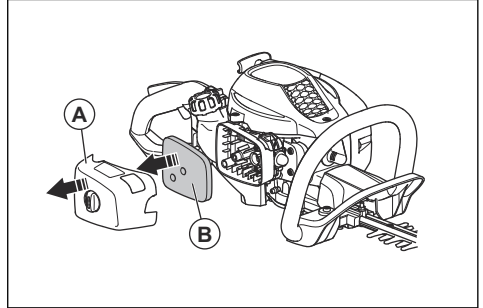
- Replace the spark plug if it is necessary.

To clean the air filter

Clean the air filter regularly from dirt and dust. This prevents carburetor malfunctions, starting problems,

loss of engine power, wear to engine parts and more fuel consumption than usual.

1. Remove the air filter cover (A).



2. Remove the air filter (B) from the filter frame.
3. Clean the air filter with warm soap water.



CAUTION: An air filter that is used for a long time cannot be fully cleaned. Replace the air filter regularly and always replace a defective air filter.

4. Make sure that the air filter is dry.
5. Apply oil to the air filter. Refer to *To apply oil to the foam air filter on page 12*.
6. Clean the inner surface of the air filter cover. Use compressed air or a brush.

To apply oil to the foam air filter

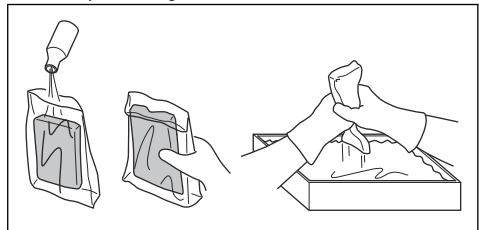


CAUTION: Always use McCULLOCH special air filter oil. Do not use other types of oil.



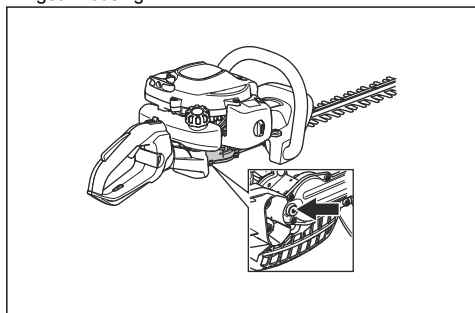
WARNING: Put on protective gloves. The air filter oil can cause skin irritation.

1. Put the foam air filter in a plastic bag.
2. Put the oil in the plastic bag.
3. Rub the plastic bag to supply the oil equally across the foam air filter.
4. Push the unwanted oil out of the foam air filter while in the plastic bag.



To lubricate the gear housing

- Use McCULLOCH special grease. Speak to your servicing dealer for more information about recommended grease.
- Add the grease through the lubricant filler cap on the gear housing.



CAUTION: Do not fill the gear housing fully.

To clean and lubricate the blades

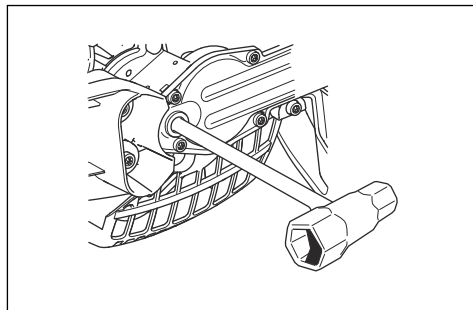
1. Clean the blades from unwanted materials before and after you use the product.

2. Lubricate the blades before long periods of storage.

Note: Speak to your servicing dealer for more information about recommended cleaning agents and lubricants.

To examine the blades

1. Remove the lubricant filler cap on the gear housing.
2. Make sure that the blades move freely. Put the combination wrench in the gear housing and turn clockwise and counterclockwise.



3. Examine the edges of the blades for damages and deformation.
4. Use a file to remove burrs on the blades.

Troubleshooting

Troubleshooting

The engine does not start		
Problem	Possible cause	Recommended step
Starter pawls	The starter pawls cannot move freely.	Adjust or replace the starter pawls.
		Clean around the starter pawls.
		Speak to an approved servicing dealer.
Fuel tank	Incorrect fuel type.	Drain it and use correct fuel.
Carburetor	Incorrect idle speed.	Adjust the idle speed.
No spark	The spark plug is dirty or wet.	Make sure that the spark plug is dry and clean.
	Incorrect electrode gap.	Clean the spark plug. Make sure that the electrode gap of the spark plug is correct. Make sure that the spark plug is installed with a suppressor. Refer to <i>Technical data on page 14</i> for correct electrode gap.
Spark plug	The spark plug is loose.	Tighten the spark plug.

The engine starts but stops again		
Problem	Possible cause	Recommended step
Fuel tank	Incorrect fuel type.	Drain it and use correct fuel.
Carburetor	Incorrect idle speed.	Adjust the idle speed. Refer to <i>To adjust the idle speed on page 11</i> . Speak to your servicing dealer if it is necessary.
Air filter	Clogged air filter.	Clean the air filter.

Blade		
Problem	Possible causes	Recommended step
The blade moves slowly or does not move.	The blade is blocked or it is damaged.	Clean the blades from unwanted materials. Refer to <i>To clean and lubricate the blades on page 13</i> . Remove burrs from the blade, refer to <i>To examine the blades on page 13</i> . Replace the blade if it is damaged.
The blade does not cut easily.	The blade is not sharp or it is damaged.	Sharpen the blade, refer to <i>To examine the blades on page 13</i> . Replace the blade if it is damaged.
The blade becomes hot.	There is friction between the blades.	Remove burrs from the blade and lubricate the blade. Refer to <i>To examine the blades on page 13</i> .

Transportation, storage and disposal

Transportation and storage

- Always allow the product to cool down before storage.
- For storage and transportation of the product and fuel, make sure that there are no leaks or fumes. Sparks or open flames, for example from electrical devices or boilers, can start a fire.
- Always use approved containers for storage and transportation of fuel.
- Empty the fuel before transportation or before long-term storage. Discard the fuel at an applicable disposal location.
- Attach the transport guard during transportation and storage.

- Remove the spark plug cap from the spark plug.
- Attach the product during transportation. Make sure that it cannot move.
- Clean and do servicing on the product before long-term storage.

Disposal

- Obey the local requirements and applicable regulations.
- Discard all chemicals, for example engine oil or fuel, at a service center or at an applicable disposal location.
- Discard the product at an approved disposal location or send it to McCULLOCH for disposal.

Technical data

Technical data

Technical data	SUPERLITE 4528	ERGOLITE 6028
Engine		

Technical data	SUPERLITE 4528	ERGOLITE 6028
Cylinder displacement, cm ³	21.7	21.7
Idle speed, rpm	2800	2800
Recommended max speed, rpm	9000	9000
Maximum engine power acc. to ISO 8893, kW/rpm	0.6/7800	0.6/7800
Catalytic converter muffler	Yes	Yes
Ignition system		
Spark plug	HQT-4 672201	HQT-4 672201
Electrode gap, mm	0.5	0.5
Fuel		
Fuel tank capacity, l	0.3	0.3
Weight		
Weight, kg	4.8	5.0
Noise emissions ¹		
Sound power level, measured dB (A)	100	100
Sound power level, guaranteed L _{WA} dB (A)	101	101
Sound levels ²		
Equivalent sound pressure level at the operator's ear, measured according to EN ISO 10517, dB(A)	93	93
Vibration levels ³		
Equivalent vibration levels (a _{nv,eq}) at handles, measured according to EN ISO 10517, m/s ² :		
Front/Rear, mm/s ²	3.5/4.4	4.1/5.2
Blades		
Type	Double sided	Double sided
Cutting length, mm	450	590
Cutting speed, cuts/min	4050	4050

¹ Noise emissions in the environment measured as sound power (L_{WA}) in conformity with EC directive 2000/14/EC. Reported sound power level for the product has been measured with the original cutting attachment that gives the highest level. The difference between guaranteed and measured sound power is that the guaranteed sound power also includes dispersion in the measurement result and the variations between different products of the same model according to Directive 2000/14/EC.

² Reported data for noise pressure level has a typical statistical dispersion (standard deviation) of 1 dB (A).

³ Reported data for vibration level has a typical statistical dispersion (standard deviation) of 1 m/s².

EC Declaration of Conformity

EU Declaration of conformity

We, **Husqvarna AB**, SE-561 82 Huskvarna, Sweden, tel: +46-36-146500, declare on our sole responsibility that the product:

Description	Hedge trimmer
Brand	McCULLOCH
Type / Model	SUPERLITE 4528, ERGOLITE 6028
Identification	Serial numbers dating from 2022 and onwards

complies fully with the following EU directives and regulations:

Regulation	Description
2006/42/EC	"relating to machinery"
2014/30/EU	"relating to electromagnetic compatibility"
2000/14/EC	"relating to the noise emissions in the environment, Annex V"
2011/65/EU	"on the restriction of the use of certain hazardous substances in electrical and electronic equipment"

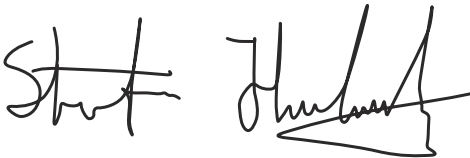
and that the following standards and/or technical specifications are applied: EN ISO 12100:2010, EN ISO 10517:2019, EN IEC 63000:2018, EN ISO 14982:2009.

Notified body: RISE SMP Svensk Maskinprovning AB,, Box 7035, SE-750 07 Uppsala, Sweden has performed voluntary type examination on behalf of Husqvarna AB.

Certificate number: SEC/11/2327

For information relating to noise emissions, refer to *Technical data on page 14.*

Huskvarna, 2022-02-15



Stefan Holmberg, Manager Handheld Global, Lab Manager HH Global Services, Husqvarna AB

Responsible for technical documentation



Declaration of conformity

We, **Husqvarna AB**, SE-561 82 Huskvarna, Sweden, tel: +46-36-146500, declare on our sole responsibility that the product:

Description	Hedge trimmer
Brand	McCULLOCH
Type / Model	SUPERLITE 4528, ERGOLITE 6028
Identification	Serial numbers dating from 2022 and onwards

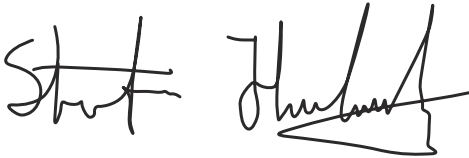
complies fully with the following UK regulations:

Description
The Supply of Machinery (Safety) Regulations 2008
Electromagnetic Compatibility Regulations 2016
The Noise Emission in the Environment by Equipment for use Outdoors Regulations 2001, schedule 8
The Restriction of the Use of Certain Hazardous Substances in Electrical and Electronic Equipment Regulations 2012

and that the following standards and/or technical specifications are applied: EN ISO 12100:2010, EN ISO 10517:2019, EN IEC 63000:2018, EN ISO 14982:2009.

For information relating to noise emissions, refer to *Technical data on page 14*.

Huskvarna, 2022-02-15



Stefan Holmberg, Manager Handheld Global, Lab
Manager HH Global services, Husqvarna AB

Responsible for technical documentation

**UK
CA**

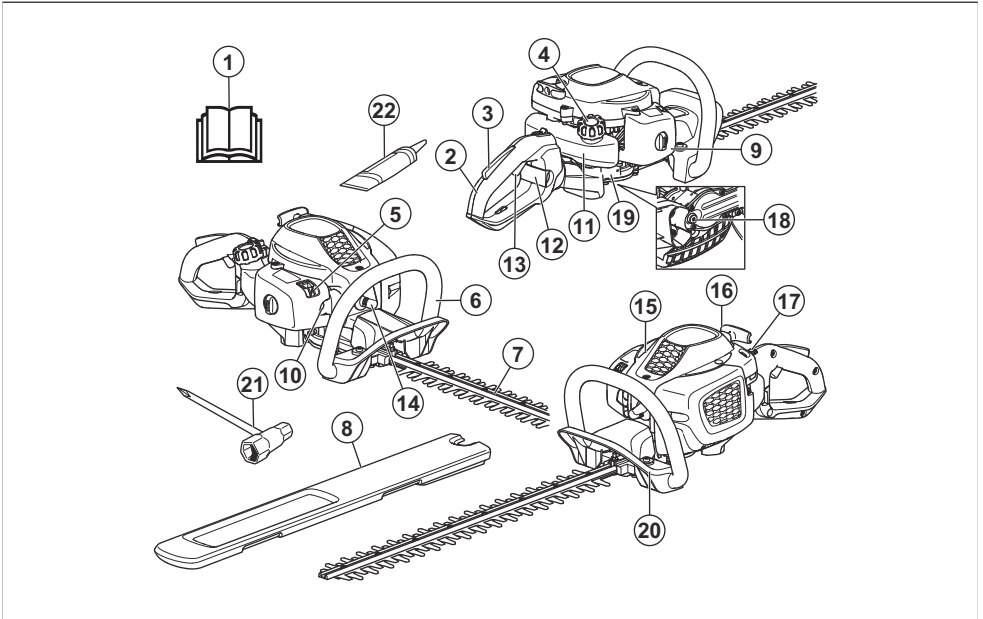
UK Importer:
Husqvarna UK Ltd
Preston Road, Co. Durham
DL5 6UP

Innehåll

Introduktion.....	18	Felsökning.....	29
Säkerhet.....	19	Transport, förvaring och kassering.....	30
Drift.....	24	Tekniska data.....	30
Underhåll.....	26	EG-försäkran om överensstämmelse.....	32

Introduktion

Produktöversikt



- | | |
|----------------------------|------------------------------------|
| 1. Bruksanvisning | 17. Stoppkontakt |
| 2. Bakre handtag | 18. Påfyllningslock för smörjmedel |
| 3. Gasreglagespär | 19. Växelhus |
| 4. Bränsletankslock | 20. Handskydd |
| 5. Chokereglage | 21. Kombinyckel |
| 6. Främre handtag | 22. Fettbehållare |
| 7. Kniv och knivskydd | |
| 8. Transportskydd | |
| 9. Lufffilterlock | |
| 10. Bränslepumpblåsa | |
| 11. Bränsletank | |
| 12. Handtagslås (ErgoLite) | |
| 13. Gasreglage | |
| 14. Tändhatt och tändstift | |
| 15. Cylinderkåpa | |
| 16. Startsnörets handtag | |

Produktbeskrivning

Produkten är en häcksax med förbränningsmotor.

Avsedd användning

Använd produkten för att klippa grenar och kvistar.
Använd inte produkten till annat.

Symboler på produkten



WARNING! Den här produkten kan vara farlig och kan orsaka allvarlig eller livshotande skada för användaren och andra. Var försiktig och använd produkten på rätt sätt.



Läs igenom bruksanvisningen noggrant och se till att du förstår instruktionerna innan användning.



Använd godkända hörselskydd och godkända ögonskydd.



Använd godkända skyddshandskar.



Använd kraftiga hals säkra kängor.



Bränslepumpblåsa.



Choke.



Lås för handtagsinställning.



Bränsle.



Emission av buller i miljön enligt EU-direktiv 2000/14/EC och New South Wales "Protection of the Environment Operations (Noise Control) Regulation 2017". Information om bulleremission finns på maskinens etikett och i avsnittet Tekniska data.



Produkten överensstämmer med gällande EG-direktiv.

yyyywwxxxx

Typskylten visar serienumret. **yyyy** är produktionsåret och **ww** är produktionsveckan.

Notera: Övriga symboler/etiketter på produkten avser specifika krav för certifieringar på vissa marknader.

Euro V-utsläpp



WARNING: Manipulering av motorn upphäver EG-typgodkännandet för den här produkten.

Säkerhet

Säkerhetsdefinitioner

Varningar, försiktighetsåtgärder och anmärkningar används för att betona speciellt viktiga delar i bruksanvisningen.



WARNING: Används om det finns risk för skador eller dödsfall för användaren eller kringstående om anvisningarna i bruksanvisningen inte följs.



OBSERVERA: Används om det finns risk för skada på produkten, annat material eller det angränsande området om anvisningarna i bruksanvisningen inte följs.

Notera: Används för att ge mer information som är nödvändig i en viss situation.

Allmänna säkerhetsanvisningar



WARNING: Läs varningsinstruktionerna nedan innan du använder produkten.

- Om du använder produkten på ett felaktigt eller slarvigt sätt kan den bli till ett farligt redskap som kan orsaka allvarliga eller livshotande skador. Det är mycket viktigt att du läser och förstår innehållet i denna bruksanvisning.
- Denna produkt alstrar ett elektromagnetiskt fält under drift. Detta fält kan under vissa omständigheter ge påverkan på aktiva eller passiva medicinska implantat. För att reducera risken för omständigheter som kan leda till allvarliga eller livshotande skador rekommenderar vi därför personer med implantat att rådgöra med läkare samt tillverkaren av det medicinska implantatet innan denna produkt används.

- Överexponering av vibrationer kan leda till blodkärls- eller nervskador hos personer som har blodcirkulationsstörningar. Uppsök läkare om du upplever kroppsliga symtom som kan relateras till överexponering av vibrationer. Exempel på sådana symtom är domningar, avsaknad av känsel, "kittlingar", "stickningar", smärta, avsaknad eller reducering av normal styrka, förändringar i hudens färg eller dess tillstånd. Dessa symtom uppträder vanligtvis i fingrar, händer eller handleder. Riskerna kan öka vid låga temperaturer.
- En använd ljustdämpare och gnistfångare kan innehålla cancerframkallande förbränningspartiklar. Undvik att utsättas för de ämnena när du hanterar ljustdämpare eller gnistfångare. Innan du hanterar ljustdämparen eller gnistfångaren ska du läsa instruktionerna i *Kontrollera ljustdämparen på sida 22*.
- När du råkar ut för en situation som gör dig osäker angående fortsatt användning ska du rådfråga en expert. Vänd dig till din återförsäljare eller din serviceverkstad. Undvik all användning du inte är kvalificerad för.
- Tänk på att användaren är ansvarig för olyckor eller faror för andra människor eller deras egendom.
- Låt aldrig någon annan använda produkten utan att först se till att hen har förstått innehållet i bruksanvisningen.
- Tillåt aldrig barn att använda eller vara i närheten av produkten. Eftersom produkten är utrustad med ett återfjädrande START/STOP-reglage och kan startas med låg hastighet och kraft på starthandtaget kan även små barn under vissa omständigheter åstadkomma den kraft som behövs för att starta produkten. Detta kan innebära risk för allvarlig personskada. Avlägsna därför tändhatten när produkten inte är under sträng uppsikt.
- Förvara produkten oåtkomlig för barn.
- Använd aldrig produkten om du är trött, om du har druckit alkohol eller om du tar mediciner som kan påverka din syn, ditt omdöme eller din kroppskontroll.
- Använd aldrig en produkt som är defekt. Följ underhålls-, kontroll- och serviceinstruktioner i denna bruksanvisning. Vissa underhålls- och serviceåtgärder ska utföras av utbildade och kvalificerade specialister. Se anvisningarna under rubriken Underhåll.
- Använd aldrig en produkt som modifierats så att den ej längre överensstämmer med originalutförandet.
- Felaktiga knivar kan öka risken för olyckor.
- Se till att inga människor eller djur kommer närmare än 15 meter under arbetets gång.
- Iakttäck omgivningen och var säker på att det inte finns risk att människor eller djur kan komma i kontakt med skärutrustningen.
- Inspektera arbetsområdet. Avlägsna föremål som kan slungas iväg.
- Se alltid till att du har en säker och stadig arbetsposition.
- Lämna aldrig maskinen utan uppsikt med motorn igång.
- Se till att händer och fötter inte kommer i närheten av klippaggregatet när motorn är i gång.
- Skulle någonting fastna i knivarna under arbetets gång skall motorn stängas av, stanna helt och tändkabeln lossas från tändstiftet innan knivarna rengörs. Koppla bort tändhatten från tändstiftet.
- När motorn stängts av ska du hålla händer och fötter borta från klippaggregatet tills det har stannat helt.
- Se upp för grenstumpar som kan slungas iväg under kapningen.
- Var alltid uppmärksam på varningssignaler eller tillrop när hörselskydd används. Tag alltid av hörselskydden så snart motorn stoppats.
- Arbeta aldrig från en stege eller pall eller annan ej väl förankrad upphöjd position.
- Håll alltid produkten med båda händerna. Håll produkten framför kroppen.
- Om du träffar ett främmande föremål eller det uppstår vibrationer ska du omedelbart stanna produkten. Koppla bort tändhatten från tändstiftet. Kontrollera att produkten inte är skadad. Reparera eventuella skador.
- Se till att tändhatt och tändkabel är oskadade för att undvika risk för elektrisk stöt.
- Kontrollera att alla muttrar och skruvar är åtdragna.
- Se till att växellådan är ordentligt smord. Se *Att rengöra växellådan på sida 29*.
- Efter arbete med produkten blir växellådan varm. Vidrör inte växellådan. Detta för att undvika brännskador.
- Samtliga kåpor och skydd måste vara monterade före start.
- Om knivarna fastnar går det att lossa dem genom att föra in kombinyckeln i växellådan. Stick in kombinyckeln i drevet och vrid den fram och tillbaka. Se *Att rengöra växellådan på sida 29*.
- Transportskyddet ska alltid sättas på klippaggregatet när produkten inte används.

Säkerhetsinstruktioner för drift



VARNING: Läs varningsinstruktionerna nedan innan du använder produkten.

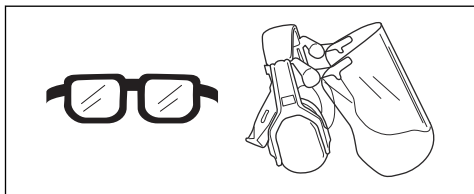
- Använd aldrig produkten vid extrema klimatförhållanden såsom sträng kyla eller mycket varmt och/eller fuktigt klimat.

Personlig skyddsutrustning

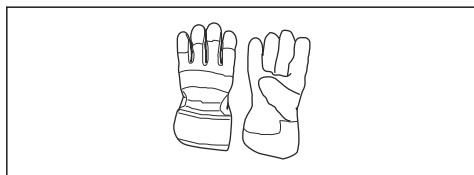


VARNING: Läs varningsinstruktionerna nedan innan du använder produkten.

- Använd alltid godkänd personlig skyddsutrustning när du använder produkten. Personlig skyddsutrustning kan inte eliminera skaderisken helt, men den reducerar effekten av en skada vid ett eventuellt olyckstillbud. Be din återförsäljare om hjälp med att välja rätt utrustning.
- Använd godkända hörselskydd med tillräcklig dämpningseffekt. Långvarig exponering för buller kan ge bestående hörselskador.
- Använd godkänt ögonskydd. Används visir måste även godkända skyddsglasögon användas. Godkända skyddsglasögon måste uppfylla standarden ANSI Z87.1 i USA eller SS-EN 166 i EU-länder.



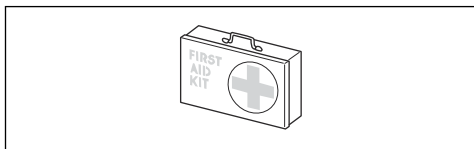
- Använd handskar vid behov, till exempel när du ansluter, undersöker eller rengör skärutrustningen.



- Använd halkfria och stadiga stövlar eller skor.



- Ha på dig kläder i slitstarkt material. Bär alltid kraftiga långbyxor och överdel med långa ärmar. Använd inte löst sittande kläder som kan fastna i kvistar och grenar. Bär inte smycken, kortbyxor eller sandaler och gå inte barfota. Sätt upp håret ordentligt så att det inte hänger nedanför axlarna.
- Ha första förband nära till hands.



Säkerhetsanordningar på produkten

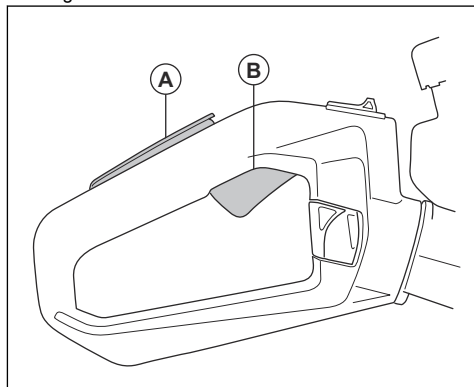


VARNING: Läs varningsinstruktionerna nedan innan du använder produkten.

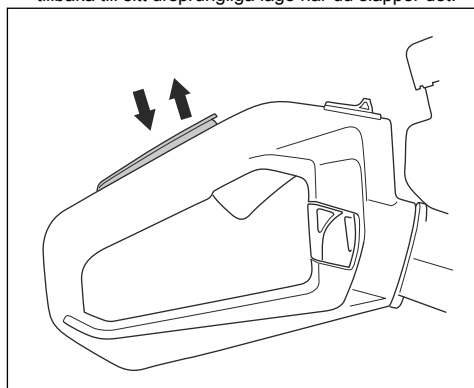
- Använd inte en produkt med defekta säkerhetsanordningar.
- Kontrollera säkerhetsanordningarna regelbundet. Om säkerhetsanordningarna är defekta ska du prata med din McCULLOCH serviceverkstad.

Kontrollera dödmanngreppet

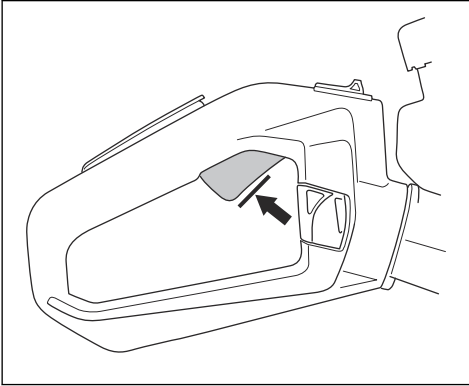
1. Kontrollera att dödmanngreppet (A) och gasreglaget (B) kan röra sig fritt samt att deras retur fjädersystem fungerar.



2. Tryck ner dödmanngreppet och se till att det går tillbaka till sitt ursprungliga läge när du släpper det.



- Släpp gasreglagespärren och se till att gasreglaget är låst i tomgångsläge.



- Starta motorn och ge full gas.
- Släpp gasreglaget och se till att knivarna stannar helt.



VARNING: Om knivarna rör sig med gasreglaget i tomgångsläge ska tomgångsvarvtalet justeras. Se *Så justerar du tomgångsvarvtalet på sida 27.*

Kontrollera stoppkontakten

- Starta motorn.
- För stoppkontakten till stoppläget och se till att motorn stannar.



VARNING: Stoppkontakten återgår automatiskt till startläget. Förhindra att motorn startar oavsiktligt genom att ta bort tändhatten från tändstiftet när du monterar eller utför underhåll på produkten.

Kontrollera handskyddet

Handskyddet förhindrar skador från knivarna.

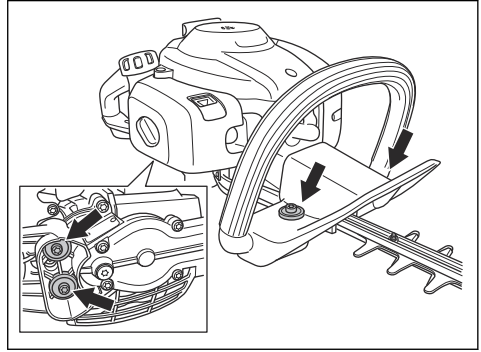
- Stoppa motorn.
- Se till att handskyddet är monterat på rätt sätt.
- Inspektera om handskyddet är skadat.

Kontrollera avvibreringssystemet

Avvibreringssystemet minskar vibrationerna i handtagen. Avvibreringselementen fungerar som en separation mellan produktens kaross och handtagsenheten.

- Kontrollera visuellt om det finns skador eller någon deformation.

- Kontrollera att avvibreringselementen är korrekt monterade.



Kontrollera ljuddämparen



VARNING: Använd inte produkten utan ljuddämpare eller med defekt ljuddämpare. En defekt ljuddämpare kan öka ljudnivån och brandrisken. Använd inte produkten utan eller med trasigt gnistskydd. Vid eventuella skador på gnistskyddet ska detta bytas.



VARNING: En använd ljuddämpare och gnistfångare kan innehålla cancerframkallande förbränningspartiklar. Använd skyddshandskar och utför underhåll i en välventilerad miljö för att undvika hudkontakt och inandning av cancerframkallande partiklar. Använd inte tryckluft för att rengöra gnistfångaren. Använd en stålborste och borsta bort från kroppen när du rengör gnistfångaren.



VARNING: Ljuddämparna blir mycket heta under och efter drift, samt vid tomgångsvarvtal.



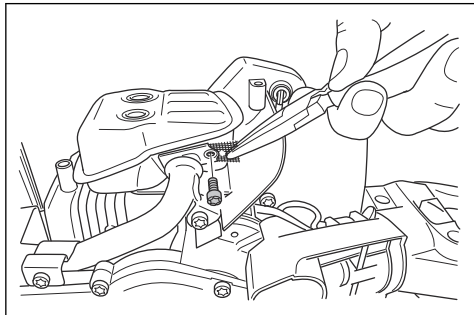
OBSERVERA: Om gnistskyddet ofta är igensatt kan det vara ett tecken på att katalysatorns funktion är nedsatt. Kontakta din serviceverkstad om ljuddämparen är i behov av en översyn. Ett igensatt gnistskydd orsakar överhettning och leder till skador på cylinder och kolv.



VARNING: Ljuddämparens insida innehåller kemikalier som kan orsaka cancer. Var försiktig så att du inte vidrör dessa element om ljuddämparen är skadad.

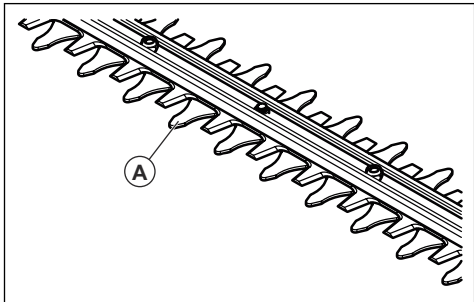
Ljuddämparen håller ljudnivån till ett minimum och leder bort motorns avgaser från föraren. En ljuddämpare med katalysator minskar skadliga avgaser.

1. Stanna motorn.
2. Kontrollera visuellt om det finns skador eller någon deformation.
3. Se till att ljuddämparen sitter fast ordentligt på produkten.
4. Rengör gnistskyddet med en stålborste.



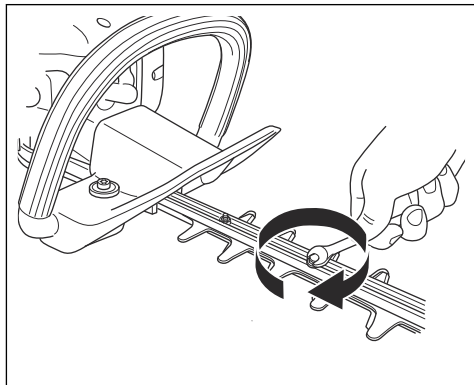
Kontrollera klingan och klingskyddet

Knivarnas yttre kanter (A) fungerar som klingskydd. Klingskyddet förhindrar användaren från att komma i kontakt med skärutrustningen.



1. Stoppa motorn och se till att klippaggregatet stannar.
2. Avlägsna tändhatten från tändstiftet.
3. Ta på skyddshandskar.
4. Se till att klingan och klingskyddet inte är skadade eller böjda. Byt alltid ut en skadad eller böjd klinga.

5. Se till att skruvarna på klippaggregatet är anslutna. Momentdra skruvarna till 7–10 Nm.



Bränslesäkerhet



VARNING: Läs varningsinstruktionerna nedan innan du använder produkten.

- Starta inte produkten om det finns bränsle eller motorolja på produkten. Ta bort det oönskade bränslet/oljan och låt produkten torka.
- Om du spillt bränsle på kläderna skall dessa bytas omedelbart.
- Se till att inte få bränsle på kroppen, det kan orsaka personskador. Om du får bränsle på kroppen ska du använda tvål och vatten för att ta bort bränslet.
- Starta inte produkten om motorn har en läcka. Undersök regelbundet om motorn läcker.
- Var försiktig med bränsle. Bränsle är brandfarligt och ångorna är explosiva och kan orsaka skador eller dödsfall.
- Undvik att andas in bränsleångor då det kan orsaka personskador. Se till att det finns tillräckligt luftflöde.
- Rök inte i närheten av bränslet eller motorn.
- Placera inga varma föremål i närheten av bränslet eller motorn.
- Fyll inte på bränsle när motorn är på.
- Se till att motorn har svalnat innan du fyller på bränsle.
- Innan du fyller på bränsle bör du öppna bränsletanklocket långsamt och försiktigt släppa på trycket.
- Fyll inte på bränsle i motorn inomhus. Otillräckligt luftflöde kan orsaka skador eller dödsfall på grund av kvävning eller kolmonoxidförgiftning.
- Dra åt bränsletanklocket ordentligt. Om bränsletanklocket inte dras åt ordentligt finns det en risk för brand.
- Flytta produkten minst 3 m från den plats där du fyllde på tanken innan du startar den.

- Fyll inte upp tanken helt. Värme gör att bränslet expanderar. Lämna lite plats längst upp på tanken.

Säkerhetsinstruktioner för underhåll



VARNING: Läs varningsinstruktionerna nedan innan du använder produkten.

- Stoppa motorn och se till att skärutrustningen stannar. Låt produkten svalna innan du utför underhåll.
- Koppla ifrån tändhatten innan du utför underhåll.
- Motorns avgaser innehåller kolmonoxid, en luktlös, giftig och mycket farlig gas som kan orsaka dödsfall. Kör inte produkten inomhus eller i slutna utrymmen.

- Motoravgaserna är heta och kan medföra gnistor. Kör inte produkten inomhus eller nära brandfarligt material.
- Tillbehör och ändringar av produkten som inte godkänts av tillverkaren kan orsaka allvarliga skador eller dödsfall. Modifiera inte produkten. Använd alltid originaltillbehör.
- Om underhåll inte utförs korrekt och regelbundet ökar risken för personskador och skador på produkten.
- Utför endast det underhåll som anges i den här bruksanvisningen. Låt en godkänd McCULLOCH-serviceverkstad utföra all annan service.
- Låt en godkänd McCULLOCH-serviceverkstad utföra service på produkten regelbundet.
- Byt ut skadade, slitna och trasiga delar.

Drift

Introduktion



VARNING: Läs och förstå säkerhetskapitlet innan du använder produkten.

Bränsle

Denna produkt har en tvåtaktsmotor.



OBSERVERA: Motorn kan skadas om du fyller på med fel typ av bränsle. Använd en blandning av bensen och tvåtaktsolja.

- Om tvåtaktsolja från McCULLOCH inte finns tillgänglig kan du använda en annan tvåtaktsolja av hög kvalitet för luftkylda motorer. Tala med en serviceverkstad för att välja rätt olja.



OBSERVERA: Använd inte tvåtaktsolja för vattenkylda utombordsmotorer, s.k. outboardoil. Använd inte olja avsedd för fyrtaktsmotorer.

Blanda bensen och tvåtaktsolja

Bensen, liter	Tvåtaktsolja, liter
	2 % (50:1)
5	0,10
10	0,20
15	0,30
20	0,40

Förblandat bränsle

- Använd förblandat alkylatbränsle från McCULLOCH för bästa prestanda och förlängning av motorns livslängd. Det här bränslet innehåller mindre skadliga kemikalier jämfört med vanligt bränsle, vilket minskar de skadliga avgaserna. Mängden rester som finns kvar efter förbränning är lägre med detta bränsle, vilket håller komponenterna i motorn renare.

Blanda bränsle

Bensin

- Använd blyfri bensen av bra kvalitet med högst 10 % etanolhalt.



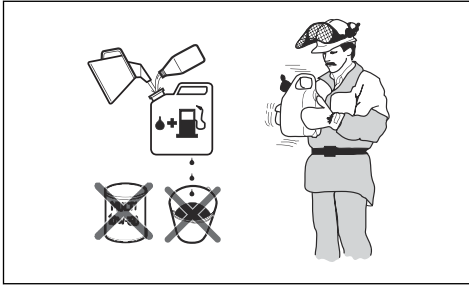
OBSERVERA: Små fel kan påverka blandningsförhållandet drastiskt när du blandar små mängder bränsle. Mät noga mängden olja för att se till att du får rätt blandning.



OBSERVERA: Använd inte bensen med ett oktantal lägre än 90 RON/87 AKI. Ett lägre oktantal kan orsaka motorknackning, vilket leder till motorskador.

Tvåtaktsolja

- För bästa resultat och funktion ska du använda tvåtaktsolja från McCULLOCH.



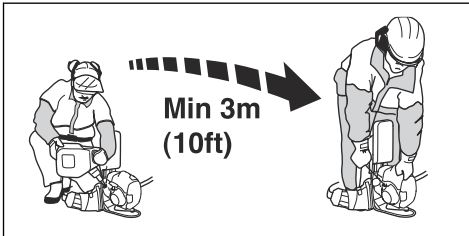
1. Fyll halva mängden bensin i en ren behållare för bränsle.
2. Tillsätt all olja.
3. Skaka bränsleblandningen.
4. Fyll i återstående mängd bensin i behållaren.
5. Skaka omsorgsfullt bränsleblandningen.



OBSERVERA: Blanda inte bränsle för mer än en månad i taget.

Fylla på bränsletanken

1. Torka rent runt bränsletanklocket.
2. Skaka behållaren och kontrollera att bränslet är helt blandat. Använd en bränslebehållare med överflytnadsskydd.
3. Ta bort bränsletanklocket.
4. Fyll bränsletanken.
5. Dra åt bränsletanklocket ordentligt.
6. Flytta produkten minst 3 meter bort från tankningsplatsen och bränsledepån före start.

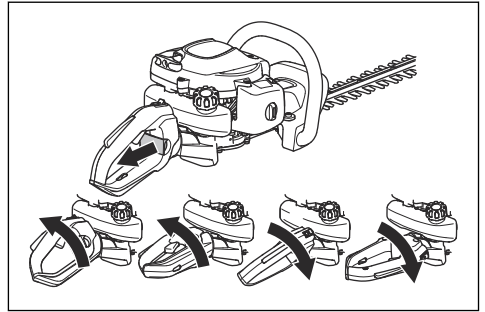


OBSERVERA: Föreningar i tankarna orsakar driftstörningar. Rengör bränsletanken och kedjeoljetanken regelbundet och byt ut bränslefiltret minst en gång om året.

Justera handtaget (ERGOLITE 6028)

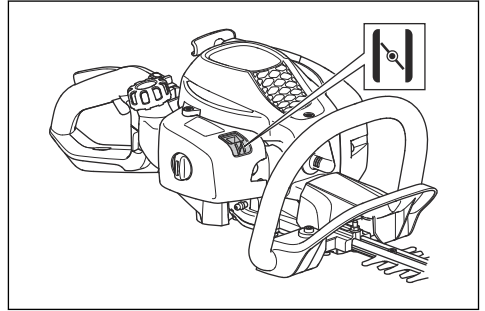
Det bakre handtaget kan justeras i fem lägen.

- Frigör handtagets lås och vrid handtaget.



Starta produkten med kall motor

1. Dra chokereglaget till chokeläget.



2. Tryck på bränslepumpblåsan ungefär sex gånger eller tills blåsan börjar fyllas med bränsle. Det är nödvändigt att fylla bränslepumpblåsan helt.
3. Håll motorkroppen på marken med vänster hand. Kliv inte på produkten.
4. Dra långsamt i startsnörets handtag med höger hand tills du känner motstånd, och dra sedan snabbt och kraftigt i startsnörets handtag.



VARNING: Vira inte startsnöret runt handen.



OBSERVERA: Dra inte ut startsnöret helt och släpp inte heller startsnörets handtag.

5. Fortsätt att dra i startsnörets handtag tills motorn tänds och tryck sedan chokereglaget till ursprungsläget.



VARNING: Knivarna rör sig när motorn startar.

6. Fortsätt att dra i startsnörets handtag tills motorerna startar.

- Tryck in och släpp gasreglaget för att ställa in motorn på tomgång.
- Skjut gasreglaget gradvis för att öka motorns varvtal.
- Kontrollera att motorn går jämnt.

Starta produkten med varm motor

- Håll motorkroppen på marken med vänster hand. Kliv inte på produkten.
- Dra långsamt i startsnörets handtag med höger hand tills du känner motstånd, och dra sedan snabbt och kraftigt i startsnörets handtag. Fortsätt tills motorn startar.

Notera: Mer information om hur du startar produkten finns i *Starta produkten med kall motor på sida 25*.

Stänga av produkten

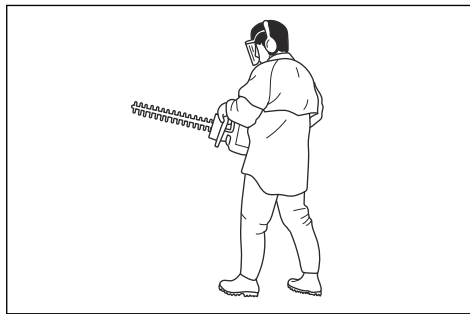
- Flytta stoppkontakten till stoppläge för att stanna motorn.



OBSERVERA: Stoppkontakten återgår automatiskt till driftläget.

Använda produkten

- Börja nära marken och flytta produkten upp längs häcken när du klipper sidorna. Se till att produktens chassi inte vidrör häcken.



VARNING: Se till att skärutrustningens spets inte vidrör marken.

- Justera hastigheten för att passa arbetsbelastningen.
- Håll produkten nära kroppen för en stabil arbetsställning.
- Var försiktig och använd produkten långsamt.

Underhåll

Introduktion



VARNING: Läs och förstå säkerhetskapitlet innan du utför underhåll på produkten.

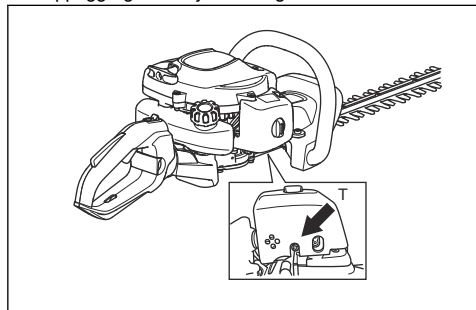
Underhållsschema

Underhåll	Före användning	Efter 40 tim	Efter 100 tim
Rengör utsidan.	Efter varje användning.		
Rengör ljuddämparen, avgasröret och motorn för att få bort löv, smuts och oönskade smörjmedel.	Efter varje användning.		
Se till att klippaggregatet inte rör sig vid tomgångsvarvtal.	X		
Kontrollera stoppkontakten. Se <i>Kontrollera stoppkontakten på sida 22</i> .	X		
Undersök om klippaggregatet är skadat eller har sprickor. Byt ut vid skada.	X		
Undersök om handskyddet är skadat eller har sprickor. Byt ut vid skada.	X		
Kontrollera gasreglagespärren och gasreglaget. Se <i>Kontrollera dödmansgreppet på sida 21</i> .	X		
Undersök om motorn, bränsletanken eller bränsleslangen läcker.	X		

Underhåll	Före användning	Efter 40 tim	Efter 100 tim
Dra åt muttrar och skruvar.	X		
Rengör eller byt ljuddämparens gnistfångarnät. Se <i>Kontrollera ljuddämparen på sida 22.</i>		X	
Undersök om startmotorn och startsnöret är skadade.		X	
Kontrollera att skruvarna som håller fast knivarna är ordentligt åtdragna.		X	
Rengör luftfiltret. Rengör oftare om produkten används i dammiga miljöer. Byt ut vid skada.		X	
Undersök om avvibreringselementen har skador eller sprickor. Byt ut vid skada.		X	
Rengör tändstiftets utsida och området runtomkring. Ta bort tändstiftet och mät elektrodavståndet. Justera elektrodavståndet eller byt ut tändstiftet. Se <i>Så undersöker du tändstiftet på sida 28.</i>		X	
Rengör kylsystemet.		X	
Rengör förgasarens utsida och området runt denna.		X	
Undersök om bränslefiltret är förorenat och om bränsleslangen har sprickor eller andra defekter. Byt ut vid skada.			X
Rengör ljuddämparens gnistskydd och byt ut det om det är skadat.			X
Rengör bränsletanken invändigt.			X
Byt tändstiftet.			X
Undersök kopplingen, kopplingsfjädern och kopplingstrumman avseende slitage. Om delarna är skadade ska de bytas ut på en godkänd serviceverkstad.			X
Se till att växelhuset är fyllt med fett.			X
Kontrollera alla kablar och anslutningar.			X

Så justerar du tomgångsvarvtalet

1. Rengör luftfiltret och montera luftfilterkåpan.
2. Starta produkten. Se *Starta produkten med kall motor på sida 25.*
3. Vrid tomgångsjusterskruven medurs tills klippaggregatet börjar röra sig.



4. Vrid tomgångsjusterskruven moturs tills klippaggregatet stannar.

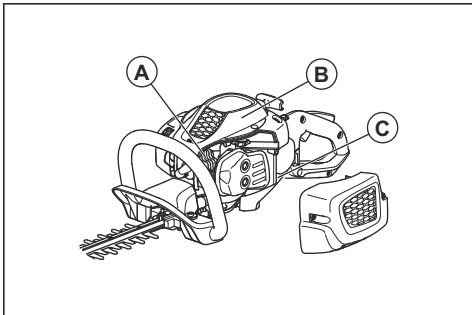


VARNING: Om klippaggregatet inte stannar när du justerar tomgångsvarvtalet ska du kontakta närmaste serviceverkstad. Använd inte produkten förrän den är korrekt inställd eller reparerad.

Notera: Tomgångsvarvtalet är korrekt när motorn arbetar jämnt i alla positioner. Se *Tekniska data på sida 30* för rekommenderat tomgångsvarvtal.

Så rengör du kylsystemet

Kylsystemet håller motortemperaturen nere. Kylsystemet omfattar kylflänsarna på cylindern (A), cylinderkåpan (B) och luftintaget genom vevhuset (C).



OBSERVERA: Luftintaget mellan bränsletanken och vevhuset blockeras lätt av löv. Rengör luftintaget helt.

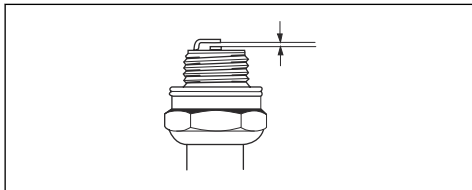
1. Rengör kylsystemet med en borste varje vecka eller oftare vid behov.
2. Se till att kylsystemet inte är smutsigt eller igensatt.

Så undersöker du tändstiftet



OBSERVERA: Använd alltid rekommenderad tändstiftstyp. Fel typ av tändstift kan orsaka skador på produkten.

- Undersök tändstiftet om motorn har låg effekt, är svår att starta eller inte fungerar korrekt vid tomgångsvarvtal.
- Följ dessa instruktioner om du vill minska risken för oönskat material på tändstiftets elektroder:
 - a) Se till att tomgångsvarvtalet är korrekt justerat.
 - b) Se till att bränsleblandningen är korrekt.
 - c) Se till att luftfiltret är rent.
- Om tändstiftet är smutsigt rengör du det och ser till att elektrodståndet är korrekt, se *Tekniska data på sida 30*.



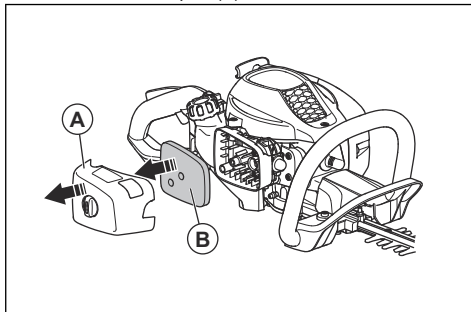
- Byt ut tändstiftet vid behov.

Rengöra luftfiltret

Rengör luftfiltret från smuts och damm. Detta förhindrar förgasartörningar, startproblem, dålig motoreffekt,

slitage på motorns delar och mer bränsleförbrukning än vanligt.

1. Ta bort luftfilterkåpan (A).



2. Ta bort luftfiltret (B) från filterramen.
3. Rengör luftfiltret med hjälp av varmt tvålatten.



OBSERVERA: Ett länge använt luftfilter kan aldrig bli fullständigt rent. Byt ut luftfiltret regelbundet och byt alltid ut ett defekt luftfilter.

4. Se till att luftfiltret är torrt.
5. Applicera olja på luftfiltret. Se *Applicera olja på skumluftfiltret på sida 28*.
6. Rengör insidan av luftfilterkåpan. Använd tryckluft eller en borste.

Applicera olja på skumluftfiltret

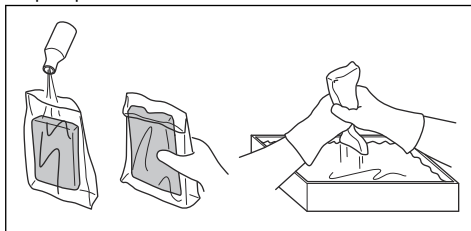


OBSERVERA: Använd alltid speciell luftfilterolja från McCULLOCH. Använd inga andra typer av olja.



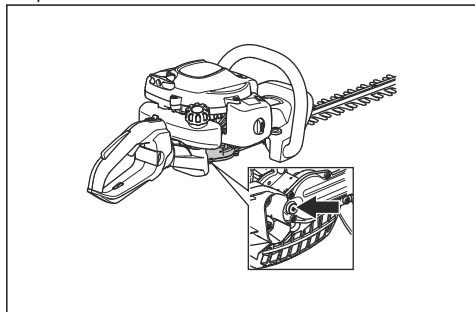
VARNING: Ta på skyddshandskar. Luftfilterolja kan orsaka hudirritation.

1. Lägg skumluftfiltret i en plastpåse.
2. Tillsätt oljan i plastpåsen.
3. Gnid på plastpåsen för att fördela oljan jämnt på skumluftfiltret.
4. Tryck ut oönskad olja ur skumluftfiltret medan det är i plastpåsen.



Att rengöra växelluset

- Använd specialfett från McCULLOCH. Prata med en serviceverkstad för mer information om rekommenderat fett.
- Fyll på fett genom påfyllningslocket för smörjmedel på växelluset.



OBSERVERA: Fyll inte växelluset helt.

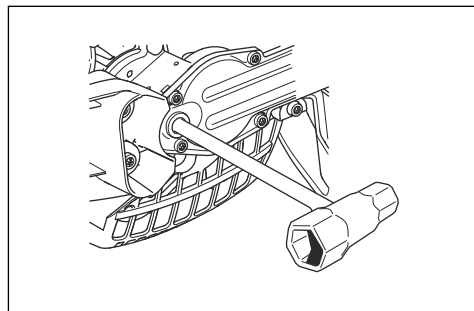
Rengöra och smörja knivarna

1. Ta bort oönskat material från knivarna innan och efter du använder produkten.
2. Smörj knivarna före längre tids förvaring.

Notera: Prata med en serviceverkstad för mer information om rekommenderade rengöringsmedel och smörjmedel.

Inspektera knivarna

1. Ta bort påfyllningslocket för smörjmedel på växelluset.
2. Se till att knivarna kan röra sig fritt. Placera kombinyckeln i växelluset och vrid medurs och moturs.



3. Undersök om knivarnas eggar har skador och deformationer.
4. Använd en fil för att ta bort grader på knivarna.

Felsökning

Felsökning

Maskinen startar inte		
Problem	Möjlig orsak	Rekommenderat steg
Starthakar	Starthakarna kan inte röra sig fritt.	Justera eller byt ut starthakarna.
		Rengör runt starthakarna.
		Kontakta en godkänd serviceverkstad.
Bränsletank	Fel bränsle påfyllt.	Töm den och använd rätt bränsle.
Förgasare	Felaktigt tomgångsvarvtal.	Justera tomgångsvarvtalet.
Ingen gnista	Tändstiftet är smutsigt eller vått.	Se till att tändstiftet är torrt och rent.
	Felaktigt elektrodavstånd.	Rengör tändstiftet. Kontrollera att tändstiftets elektrodavstånd är korrekt. Se till att tändstiftet har en dämpare. Se <i>Tekniska data på sida 30</i> för korrekt elektrodavstånd.
Tändstift	Tändstiftet sitter löst.	Dra åt tändstiftet.

Motorn startar men stannar igen		
Problem	Möjlig orsak	Rekommenderat steg
Bränsletank	Fel bränsle påfyllt.	Töm den och användna rätt bränsle.
Förgasare	Felaktigt tomgångsvarvtal.	Justera tomgångsvarvtalet. Se <i>Så justerar du tomgångsvarvtalet på sida 27</i> . Kontakta din serviceverkstad om det behövs.
Lufffilter	Igensatt lufffilter.	Rengör lufffiltret.

Klinga		
Problem	Möjliga orsaker	Rekommenderat steg
Klingan rör sig långsamt eller inte alls.	Klingan är blockerad eller skadad.	Ta bort oönskat material från knivarna. Se <i>Rengöra och smörja knivarna på sida 29</i> . Ta bort grader från klingan, se <i>Inspektera knivarna på sida 29</i> . Byt ut klingan om den är skadad.
Klingan klipper trögt.	Klingan är slö eller skadad.	Slipa klingan, se <i>Inspektera knivarna på sida 29</i> . Byt ut klingan om den är skadad.
Klingan blir varm.	Det är friktion mellan knivarna.	Ta bort grader från klingan och smörj den. Se <i>Inspektera knivarna på sida 29</i> .

Transport, förvaring och kassering

Transport och förvaring

- Låt alltid produkten svalna innan förvaring.
- Vid förvaring och transport av produkten och bränslet ska du se till att det inte förekommer något läckage eller avgaser. Gnistor eller öppen eld, t.ex. från elektriska apparater eller pannor, kan orsaka brand.
- Använd alltid godkända behållare för transport och förvaring av bränsle.
- Töm ut bränslet före transport och före långtidsförvaring. Kassera bränslet på lämplig anvisad plats.
- Sätt fast transportskyddet under transport och förvaring.

- Avlägsna tändhatten från tändstiftet.
- Sätt fast produkten under transport. Se till att den inte kan förflytta sig.
- Rengör och utför service på produkten innan långvarig förvaring.

Kassering

- Följ lokala bestämmelser och tillämpliga förordningar.
- Kassera alla kemikalier, som motorolja och bränsle, vid en serviceverkstad eller på lämplig anvisad plats.
- Kassera produkten på lämplig anvisad plats eller skicka den till McCULLOCH för kassering.

Tekniska data

Tekniska data

Tekniska data	SUPERLITE 4528	ERGOLITE 6028
Motor		

Tekniska data	SUPERLITE 4528	ERGOLITE 6028
Cylindervolym, cm ³	21,7	21,7
Tomgångsvarvtal, varv/min	2 800	2 800
Rekommenderat högsta varvtal, varv/min	9 000	9 000
Max. motoreffekt enligt ISO 8893, kW/varv/min	0,6/7 800	0,6/7 800
Katalysatorljuddämpare	Ja	Ja
Tändsystem		
Tändstift	HQT-4 672201	HQT-4 672201
Elektrodstånd, mm	0,5	0,5
Drivmedel		
Bränsletankens volym, l	0,3	0,3
Vikt		
Vikt, kg	4,8	5,0
Bulleremission ⁴		
Ljudeffektnivå, uppmätt dB(A)	100	100
Ljudeffektnivå, garanterad L _{WA} dB(A)	101	101
Ljudnivåer ⁵		
Ekvivalent ljudtrycksnivå vid användarens öra, uppmätt enligt EN ISO 10517, dB(A)	93	93
Vibrationsnivåer ⁶		
Vibrationsnivåer (a _{h_v,ekv}) i handtag, uppmätt enligt SS-EN ISO 10517, m/s ² :		
Främre/bakre, mm/s ²	3,5/4,4	4,1/5,2
Knivar		
Typ	Dubbelsidig	Dubbelsidig
Klipplängd, mm	450	590
Skärhastighet, klipp/min	4 050	4 050

⁴ Bulleremission till omgivningen uppmätt som ljudeffekt (L_{WA}) enligt EG-direktiv 2000/14/EG. Rapporterad ljudeffektnivå för produkten har uppmätts med den originalskärutrustning som ger den högsta nivån. Skillnaden mellan garanterad och uppmätt ljudeffekt är att den garanterade ljudeffekten också inkluderar spridning i mätresultatet och variationen mellan olika produkter av samma modell enligt direktiv 2000/14/EG.

⁵ Redovisade data för ljudtrycksnivå har ett typiskt spridningsmått (standardavvikelse) på 1 dB (A).

⁶ Rapporterade data för vibrationsnivå har en typisk statistisk spridning (standardavvikelse) på 1 m/s².

EG-försäkran om överensstämmelse

EU-försäkran om överensstämmelse

Vi, **Husqvarna AB**, 561 82 Huskvarna, Sverige, tel:
+46-36-146500, försäkrar på eget ansvar att produkten:

Beskrivning	Häcksax
Varumärke	McCULLOCH
Typ/Modell	SUPERLITE 4528, ERGOLITE 6028
Identifiering	Serienummer daterade 2022 och framåt

uppfyller alla krav i följande EU-direktiv och förordningar:

Lagstiftning	Beskrivning
2006/42/EG	"om maskiner"
2014/30/EU	"angående elektromagnetisk kompatibilitet"
2000/14/EG	"angående emission av buller till omgivningen, bilaga V"
2011/65/EU	"angående begränsning av användning av vissa farliga ämnen i elektrisk och elektronisk utrustning"

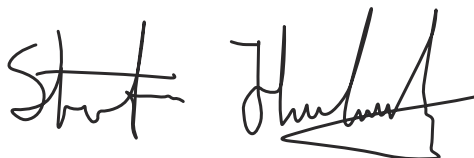
och att följande standarder och/eller tekniska specifikationer tillämpas: EN ISO 12100:2010, EN ISO 10517:2019, EN IEC 63000:2018, EN ISO 14982:2009.

Anmält organ: RISE SMP Svensk Maskinprovning AB,, Box 7035, SE-750 07 Uppsala, Sweden har utfört frivillig typkontroll på uppdrag av Husqvarna AB.

Certifikatnummer: SEC/11/2327

För information om bulleremissioner, se *Tekniska data på sida 30*.

Huskvarna, 2022-02-15



Stefan Holmberg, Manager Handheld Global, Lab
Manager HH Global Services, Husqvarna AB

Ansvarig för teknisk dokumentation

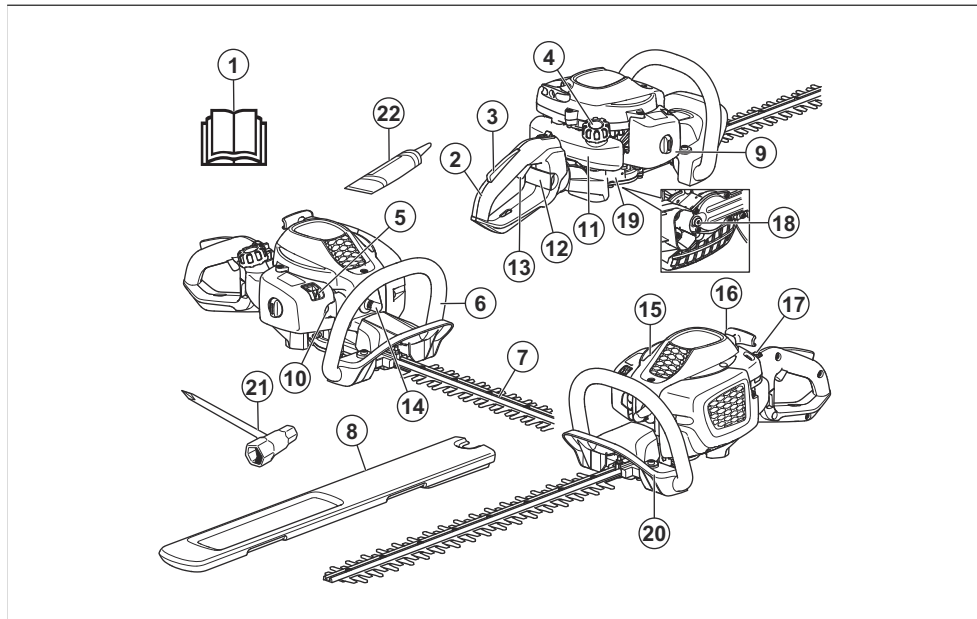


Indhold

Indledning.....	33	Fejlfinding.....	45
Sikkerhed.....	34	Transport, opbevaring og bortskaffelse.....	46
Drift.....	39	Tekniske data.....	46
Vedligeholdelse.....	42	EU-overensstemmelseserklæring.....	48

Indledning

Produktoversigt



1. Brugervejledning
2. Bageste håndtag
3. Gasreguleringslås
4. Brændstoftankdæksel
5. Chokerstyring
6. Forreste håndtag
7. Klinge og klingskærm
8. Transportbeskyttelse
9. Luftfilterdæksel
10. Brændstofpumpebold
11. Brændstoftank
12. Håndtagslås (ErgoLite)
13. Gasregulering
14. Tændhætte og tændrør
15. Cylinderdæksel
16. Startsnorens håndgreb
17. Stopkontakt
18. Dæksel til påfyldning af smøremiddel
19. Gearhus
20. Håndbeskyttelse
21. Ring- og gaffelnøgle
22. Fedttube

Produktbeskrivelse

Produktet er en hækkeklipper med en forbrændingsmotor.

Anvendelsesformål

Brug produktet til beskæring af grene og kviste. Brug ikke produktet til andre opgaver.

Symboler på produktet



ADVARSEL! Dette produkt kan være farligt og forårsage alvorlig personskade eller død for brugeren eller andre. Vær forsigtig, og brug produktet korrekt.



Læs brugsanvisningen omhyggeligt igennem, og sørg for at have forstået instruktionerne, inden du bruger produktet.



Brug godkendt høreværn og godkendt øjenværn.



Brug godkendte beskyttelseshandsker.



Brug altid kraftige, skridsikre støvler.



Brændstofpumpebold.



Choker.



Lås til håndtagsjustering



Brændstof.



Emission af støj og miljøpåvirkning i henhold til EU-direktiv 2000/14/EF og New South Wales' lovgivning om "Beskyttelse af miljøet (støjbegrensning) forordning 2017". Data om emission af støj findes på maskinens mærkat og i kapitlet Tekniske data.



Produktet er i overensstemmelse med gældende EF-direktiver.

yyyywwxxxx

Typeskiltet viser serienummer. **åååå** er produktionsåret, og **uu** er produktionsugen.

Bemærk: Andre symboler/mærkater på produktet henviser til certificeringskrav på visse markeder.

Euro V-emissioner



ADVARSEL: Ved manipulation af motoren bortfalder EU-typegodkendelsen af dette produkt.

Sikkerhed

Sikkerhedsdefinitioner

Advarsler, forholdsregler og bemærkninger bruges til at pege på særligt vigtige dele af brugsanvisningen.



ADVARSEL: Bruges, hvis føreren udsætter sig selv eller omkringstående personer for risiko for personskade eller dødsfald ved tilsidesættelse af instruktionerne i brugsanvisningen.



BEMÆRK: Bruges, hvis der er risiko for skader på produktet, andre materialer eller det omgivende område ved tilsidesættelse af instruktionerne i brugsanvisningen.

Bemærk: Bruges til at give yderligere oplysninger, der er nødvendige i en given situation.

Generelle sikkerhedsinstruktioner



ADVARSEL: Læs følgende advarselsinstruktioner, inden du bruger produktet.

- Produktet kan ved forkert eller skødesløs brug være et farligt redskab, som kan forårsage alvorlige, i visse tilfælde livsfarlige skader. Det er ekstremt vigtigt, at du læser og forstår indholdet i denne brugervejledning.
- Dette produkt danner et elektromagnetisk felt under betjening. Dette felt kan i visse tilfælde påvirke aktive eller passive medicinske implantater. For at reducere risikoen for alvorlige eller dødbringende kvæstelser anbefaler vi, at personer med medicinske implantater kontakter deres læge og producenten af det medicinske implantat, før de tager produktet i brug.

- Overeksponering af vibrationer kan medføre kredsløbsforstyrrelser eller skader på nervesystemet hos personer med kredsløbsforstyrrelser. Hvis du oplever fysiske symptomer, som kan relateres til overeksponering af vibrationer, skal du straks søge læge. Eksempler på sådanne symptomer er følelseløshed, manglende følesans, stikken, smerte, manglende eller reduceret styrke i forhold til normalt, forandringer i hudens farve eller i dens overflade. Disse symptomer opleves almindeligvis i fingre, hænder eller håndled. Risiciene kan øges ved lave temperaturer.
- En brugt lyddæmper og gnistfanger kan indeholde kræftfremkaldende forbrændingspartikler. Undgå at blive udsat for disse aflejringer, når du håndterer lyddæmperen eller gnistfangeren. Før du håndterer lyddæmperen eller gnistfangeren, skal du læse instruktionerne i *Kontrollere lyddæmperen på side 37*.
- Når du kommer ud for en situation, som gør dig usikker med hensyn til fortsat brug, skal du spørge en ekspert til råds. Henvend dig til din forhandler eller dit serviceværksted. Undgå al brug, som du ikke synes, du er tilstrækkeligt kvalificeret til.
- Vær opmærksom på, at operatøren er ansvarlig for uheld og farer, som andre personer eller disses ejendom udsættes for.
- Lad aldrig andre bruge produktet, uden at du har sikret dig, at vedkommende har forstået indholdet i brugsanvisningen.
- Tillad aldrig børn at anvende eller være i nærheden af produktet. Da produktet er forsynet med en start/stop-kontakt med returfunktion og kan startes med lav hastighed og lille kraft på starthåndtaget, kan selv små børn under visse omstændigheder tilføre den kraft, der er nødvendig for at starte maskinen. Dette kan indebære risiko for alvorlige personskader. Tag derfor tændhætten af, når produktet ikke er under opsyn.
- Opbevar produktet utilgængeligt for børn.
- Brug aldrig produktet, hvis du er træt, hvis du har drukket alkohol, eller hvis du tager medicin, som kan påvirke dit syn, dit overblik eller din kropskontrol.
- Brug aldrig et produkt, som er behæftet med fejl. Følg vedligeholdelses-, kontrol- og serviceanvisningerne i denne brugsanvisning. Visse vedligeholdelses- og serviceforanstaltninger må kun udføres af erfarne og kvalificerede specialister. Se instruktionerne under overskriften Vedligeholdelse.
- Brug aldrig et produkt, der er blevet ændret, så det ikke længere svarer til originalmodellen.
- Anvend aldrig produktet under ekstreme klimaforhold, såsom streng kulde eller i meget varmt og/eller fugtigt klima.
- Beskadigede knive kan øge risikoen for ulykker.
- Sørg for, at ingen mennesker eller dyr kommer nærmere end 15 meter (50 fod) under arbejdet.
- Hold øje med omgivelserne, og kontrollér, at der ikke er nogen risiko for, at mennesker eller dyr kan komme i kontakt med skæreudstyret.
- Kontrollér arbejdsområdet. Fjern alle genstande, der kan slynges op.
- Sørg altid for, at du har en sikker og stabil arbejdsposition.
- Du må ikke efterlade produktet uden opsyn, mens motoren kører.
- Sørg for, at hænder og fødder ikke kommer i nærheden af skæreenheden, når motoren er i gang.
- Skulle et eller andet sætte sig fast i knivene under arbejdets gang skal motoren slukkes og standse helt inden knivene rengøres. Frakobl tændhætten fra tændrøret.
- Når motoren slukkes, skal du holde hænder og fødder væk fra skæreenheden, indtil den er standstet helt.
- Pas på grenstumper, som kan slynges væk under klipningen.
- Vær altid opmærksom på advarselssignaler eller tilråb, når høreværnet bruges. Tag altid høreværnet af, så snart motoren er standstet.
- Arbejd aldrig på en stige, stol, palle eller fra et andet højt sted, som ikke er helt stabilt.
- Brug altid begge hænder til at holde produktet. Hold produktet foran kroppen.
- Hvis et fremmedlegeme rammes, eller der opstår vibrationer, skal du straks standse produktet. Frakobl tændhætten fra tændrøret. Kontrollér, at produktet ikke er beskadiget. Reparer eventuelle skader.
- Kontrollér, at tændhætten og tændkablet er intakte, så du ikke får stød.
- Kontrollér, at alle møtrikker og bolte er spændt.
- Kontrollér, at gearkassen er smurt korrekt. Se *Sådan smøres gearhuset på side 44*.
- Efter arbejde med produktet bliver gearkassen varm. Rør ikke ved gearkassen for at undgå forbrændinger.
- Samtlige dæksler og beskyttelser skal være monteret før start.
- Hvis klingerne kommer til at sidde fast, kan de løsnes igen ved at stikke ring- og gaffelnøglen ind i gearkassen. Stik ring- og gaffelnøglen ind i gearkassen, og drej den frem og tilbage. Se *Sådan smøres gearhuset på side 44*.
- Transportbeskyttelsen skal altid sættes på skæreenheden, når produktet ikke anvendes.

Sikkerhedsinstruktioner for betjening



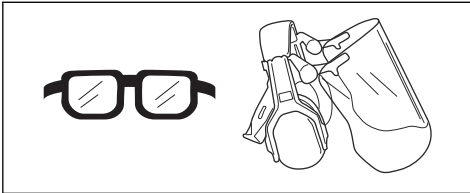
ADVARSEL: Læs følgende advarselsinstruktioner, inden du bruger produktet.

Personligt beskyttelsesudstyr

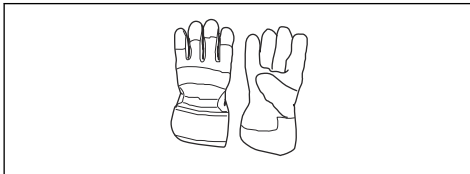


ADVARSEL: Læs følgende advarselsinstruktioner, inden du bruger produktet.

- Brug godkendt personligt beskyttelsesudstyr, når du bruger produktet. Personligt beskyttelsesudstyr udelukker ikke fuldstændigt risikoen for personskader, men det mindsker graden af skaderne i tilfælde af, at der skulle ske en ulykke. Lad forhandleren hjælpe dig med at vælge det rigtige udstyr.
- Brug godkendt høreværn med tilstrækkelig dæmpning. Langvarig eksponering for støj kan medføre permanente høreskader.
- Brug godkendt øjenværn. Hvis du bruger et ansigtsværn, skal du også bruge godkendte beskyttelsesbriller. Godkendte beskyttelsesbriller skal overholde den amerikanske standard ANSI Z87.1 eller EU-standarden EN 166.



- Brug om nødvendigt beskytteshandsker, f.eks. ved montering, eftersyn og rengøring af skæreudstyret.

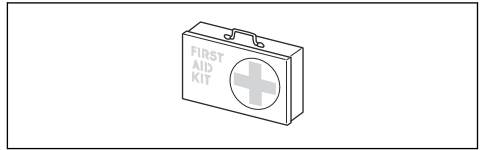


- Brug skridsikre og stabile støvler eller sko.



- Brug beklædning, der er lavet af et stærkt materiale. Brug altid kraftige lange bukser og lange ærmer. Brug ikke løstsiddende tøj, som kan sætte sig fast i buske og grene. Undgå smykker, shorts og sandaler, og gå ikke barfodet. Sæt håret op i en sikker højde, dvs. over skulderen.

- Sørg for at have førstehjælpsudstyr ved hånden.



Sikkerhedsanordninger på produktet

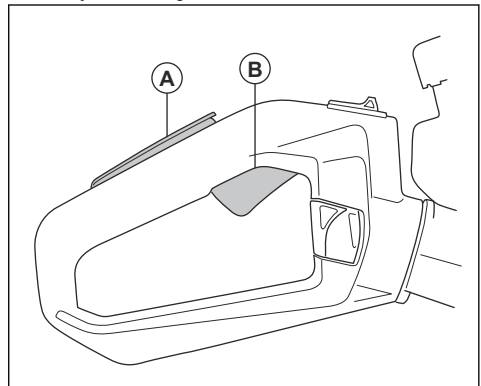


ADVARSEL: Læs følgende advarselsinstruktioner, inden du bruger produktet.

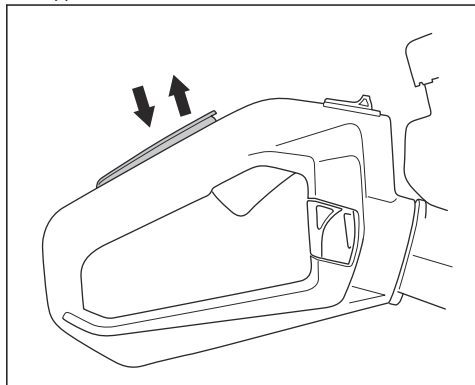
- Brug ikke et produkt med defekte sikkerhedsanordninger.
- Kontrollér sikkerhedsanordningerne regelmæssigt. Hvis sikkerhedsanordningerne er defekte, skal du henvende dig til dit McCULLOCH-serviceværksted.

Sådan kontrolleres gasreguleringslåsen

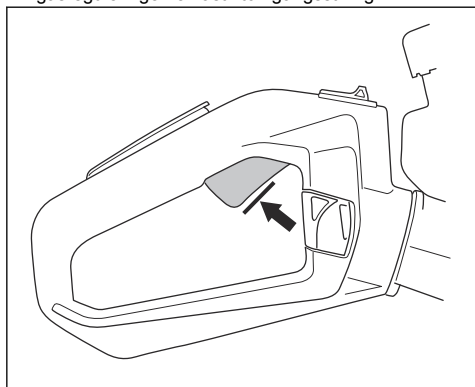
1. Kontrollér, at gasreguleringslåsen (A) og gasreguleringen (B) bevæger sig frit, og at returfjederen fungerer korrekt.



2. Skub låsen på gasreguleringslåsen ned, og sørg for, at den går tilbage til sin oprindelige position, når du slipper den.



3. Slip gasreguleringslåsen, og sørg for, at gasreguleringen er låst i tomgangsstilling.



4. Start motoren og giv fuld gas.
5. Slip gasreguleringen, og sørg for, at knivene standser.



ADVARSEL: Hvis knivene bevæger sig, når gasreguleringen er i tomgangsstilling, skal omdrejningstallet i tomgang justeres. Se *Sådan justerer du tomgangshastigheden på side 43*.

Sådan kontrolleres stopkontakten

1. Start motoren.
2. Flyt stopkontakten til stoppositionen, og sørg for, at motoren standser.



ADVARSEL: Stopkontakten vender automatisk tilbage til sin startposition. For at forhindre utilsigtet start fjernes tændrørshætten fra tændrøret ved samling

eller udførelse af vedligeholdelse på produktet.

Sådan kontrolleres håndafskærmningen

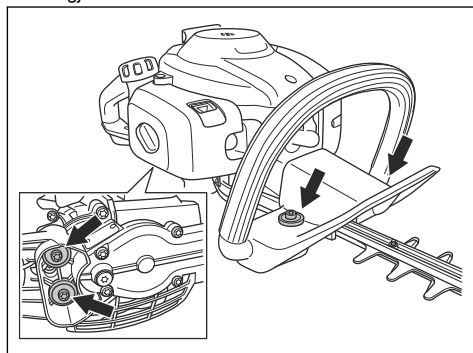
Håndafskærmningen skal beskytte mod skader forårsaget af knivene.

1. Stop motoren.
2. Sørg for, at håndafskærmningen er fastgjort korrekt.
3. Efterse håndafskærmningen for defekter.

Sådan kontrolleres vibrationsdæmpningssystemet

Vibrationsdæmpningssystemet reducerer vibrationer i håndtagene. Vibrationsdæmpningsenhederne fungerer som adskillelse mellem produktets hus og håndtagsenheden.

1. Se efter skader og defekter.
2. Sørg for, at vibrationsdæmpningsenhederne er fastgjort korrekt.



Kontroller lyddæmperen



ADVARSEL: Brug aldrig produktet uden en lyddæmper eller med en defekt lyddæmper. En defekt lyddæmper øger støjniveauet og risikoen for brand. Brug ikke produktet uden eller med et knækket gnistfangernet. Ved eventuelle skader på gnistfangerskærmen skal det udskiftes.



ADVARSEL: En brugt lyddæmper og gnistfanger kan indeholde kræftfremkaldende forbrændingspartikler. Brug beskyttelseshandsker og udfør vedligeholdelse i et godt ventileret miljø for at undgå hudkontakt og indånding af kræftfremkaldende partikler. Undlad at bruge trykluft til at rengøre gnistfangeren. Brug en stålbørste, og børst væk fra kroppen, når du rengør gnistfangeren.



ADVARSEL: Lyddæmperne bliver meget varme under og efter brug, også i tomgang.



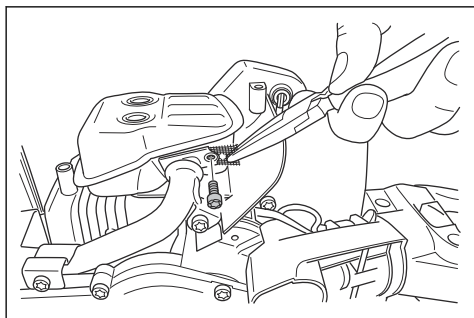
BEMÆRK: Hvis gnistfangerskærmen ofte er tilstoppet, kan dette være tegn på, at katalysatorens funktion er nedsat. Kontakt dit serviceværksted, så de kan efterse lyddæmperen. En tilstoppet gnistfangerskærm overopheder enheden med skader på cylinder og stempel til følge.



ADVARSEL: Lyddæmperens indvendige flader indeholder kemikalier, der kan være kræftfremkaldende. Pas på ikke at berøre disse elementer, hvis lyddæmperen er beskadiget.

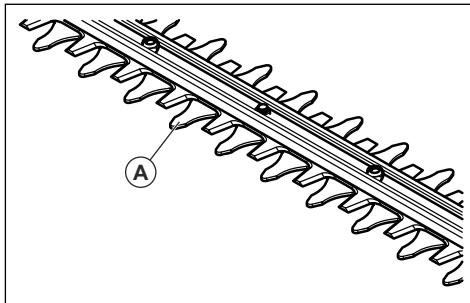
Lyddæmperen sikrer et minimalt støjniveau og sender udstødningsgasserne væk fra føreren. En lyddæmper med katalysator reducerer skadelige udstødningsgasser.

1. Stop motoren.
2. Se efter skader og deformation.
3. Sørg for, at lyddæmperen er korrekt monteret på produktet.
4. Rengør gnistfangerskærmen forsigtigt med en stålbørste.

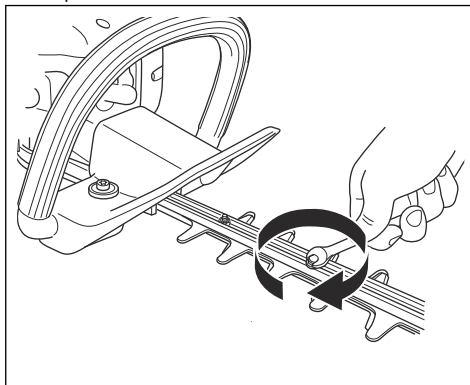


Sådan kontrolleres klinger og klingebeskyttelser

Den yderste del af klingerne (A) fungerer som klingebeskyttelser. Klingebeskyttelsen forhindrer også, at brugeren kommer i kontakt med klingene.



1. Stop motoren, og sørg for, at skæreenheden stopper.
2. Fjern tændhætten fra tændrøret.
3. Tag beskyttelseshandsker på.
4. Sørg for, at klingene og klingebeskyttelsen ikke er beskadiget eller bøjet. Udskift altid en beskadiget eller bøjet klinge.
5. Sørg for, at skruerne på klippeenheten er fastgjort. Tilspænd skruerne til 7-10 Nm.



Brændstofsikkerhed



ADVARSEL: Læs følgende advarselsinstruktioner, inden du bruger produktet.

- Start ikke produktet, hvis der er brændstof eller motorolie på produktet. Fjern uønsket brændstof/olie og lad produktet tørre.
- Hvis du får brændstof på dit tøj, skal du skifte tøj med det samme.
- Undgå at få brændstof på kroppen, da det kan forårsage personskader. Hvis du får brændstof på kroppen, skal du bruge sæbe og vand til at fjerne brændstoffet.
- Start ikke produktet, hvis motoren lækker. Undersøg regelmæssigt motoren for lækager.

- Vær forsigtig med brændstof. Brændstof er letantændeligt og dampe er eksplosive og kan medføre personskader eller dødsfald.
- Undgå at indånde brændstoffampene, da det kan forårsage personskader. Sørg for, at der er tilstrækkelig luftstrøm.
- Ryg ikke i nærheden af brændstof eller motor.
- Anbring ikke varme genstande i nærheden af brændstof eller motor.
- Fyld ikke brændstof på, når motoren er tændt.
- Sørg for, at motoren er afkølet, inden du fylder brændstof på.
- Før du fylder brændstof på, skal du åbne brændstofftankens dæksel langsomt og forsigtigt udløse trykket.
- Fyld ikke brændstof på motoren i et indendørs område. Utilstrækkelig med luftstrøm kan forårsage personskader eller dødsfald på grund af kvælning eller kulilte.
- Spænd brændstofftankens dæksel helt. Hvis brændstofftankens dæksel ikke spændes, opstår der risiko for brand.
- Flyt produktet minimum 3 m / 10 ft fra det sted, hvor du fyldte tanken, før du starter det.
- Fyld aldrig brændstofftanken helt op. Varme får brændstoffet til at udvide sig. Sørg for at bevare ledig plads øverst i brændstofftanken.
- Stop motoren, og sørg for, at skæreudstyret stopper. Lad produktet køle af, inden du udfører vedligeholdelse.
- Afmonter tændhætten, før du udfører vedligeholdelsen.
- Udstødningsgasserne fra motoren indeholder kulilte, som er en lugtfri, giftig og meget farlig gasart, som kan medføre dødsfald. Undlad at tænde produktet indendørs eller i lukkede rum.
- Motorens udstødningsgasser er varme og kan indeholde gnister. Lad ikke produktet køre indendørs eller i nærheden af brandfarligt materiale.
- Tilbehør til og ændringer på produktet, som ikke er godkendt af producenten, kan medføre alvorlig personskade eller dødsfald. Undlad at ændre produktet. Brug altid originalt tilbehør.
- Hvis vedligeholdelsen ikke udføres korrekt og regelmæssigt, øges risikoen for personskade og beskadigelse af produktet.
- Foretag kun den form for vedligeholdelse, der er angivet i denne brugervejledning. Lad et McCULLOCH-godkendt serviceværksted udføre alle andre former for service.
- Lad et McCULLOCH-godkendt serviceværksted foretage regelmæssig service af produktet.
- Udskift beskadigede, slidte eller defekte dele.

Sikkerhedsinstruktioner for vedligeholdelse



ADVARSEL: Læs følgende advarselsinstruktioner, inden du bruger produktet.

Drift

Indledning



ADVARSEL: Læs og forstå kapitlet om sikkerhed, før du bruger produktet.

Mængden af rester efter forbrændingen er lavere med dette brændstof, som holder komponenterne i motoren mere rene.

Sådan blandes brændstof

Brændstof

Dette produkt har en totaktsmotor.



BEMÆRK: Forkert brændstof kan medføre beskadigelse af motoren. Brug en blanding af benzin og totaktsolie.

Benzin

- Brug blyfri benzin af god kvalitet med et ethanolindhold på maks. 10 %.



BEMÆRK: Brug ikke benzin med et oktantal mindre end 90 RON/87 AKI. Brug af et lavere oktantal kan forårsage motorbanken, hvilket beskadiger motoren.

Forblandet brændstof

- Brug McCULLOCH forblandet alkylatbenzin – det giver det bedste resultat og forlænger af motorens levetid. Dette brændstof indeholder færre skadelige kemikalier sammenlignet med almindeligt brændstof, hvilket reducerer skadelige udstødningsgasser.

Totaktsolie

- De bedste resultater opnås ved anvendelse af McCULLOCH-totaktsolie.

- Hvis du ikke kan få fat i McCULLOCH-totaktsolie, kan du også bruge en anden totaktsolie af høj kvalitet, som er beregnet til luftkølede motorer. Tal med din serviceforhandler om valg af den korrekte olie.



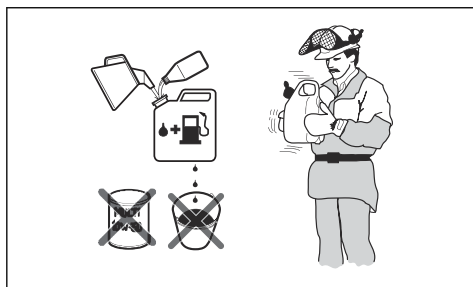
BEMÆRK: Brug aldrig totaktsolie til vandafkølede udenbordsmotorer, såkaldt outboardoil. Brug ikke olie beregnet til firetaktsmotorer.

Sådan blandes benzin og totaktsolie

Benzin, liter	Totaktsolie, liter
	2 % (50:1)
5	0,10
10	0,20
15	0,30
20	0,40



BEMÆRK: Små fejl kan påvirke forholdet i blandingen drastisk, hvis du blander små mængder brændstof. Mål omhyggeligt mængden af olie, og sørg for, at du får den rigtige blanding.



1. Fyld halvdelen af mængden af benzin i en ren beholder til brændstof.
2. Tilføj al olien.
3. Ryst brændstofblandingen.
4. Hæld den resterende mængde over i beholderen.
5. Ryst brændstofblandingen omhyggeligt.

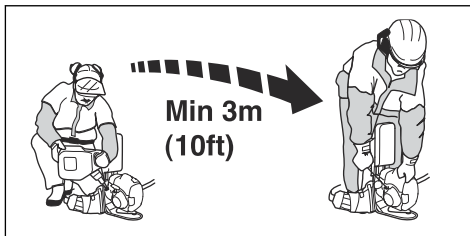


BEMÆRK: Bland ikke brændstof til mere end 1 måned ad gangen.

Sådan fyldes brændstoftanken

1. Rengør omkring brændstoftankens dæksel.

2. Ryst beholderen, og sørg for, at brændstoffet er helt blandet. Anvend en brændstoffundk med overløbsikring.
3. Fjern brændstoftankens dæksel.
4. Fyld brændstoftanken.
5. Spænd brændstoftankens dæksel helt.
6. Flyt produktet mindst 3 m væk fra tankningsstedet og -kilden, inden det startes.

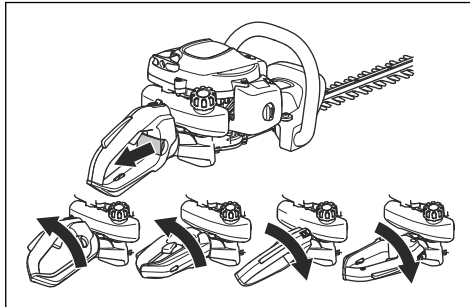


BEMÆRK: Forureninger i tankene forårsager driftsforstyrrelser. Rengør brændstoftanken og kædeolietanken regelmæssigt, og udskift brændstoffilteret én gang om året eller mere.

Sådan justeres håndtaget (5)

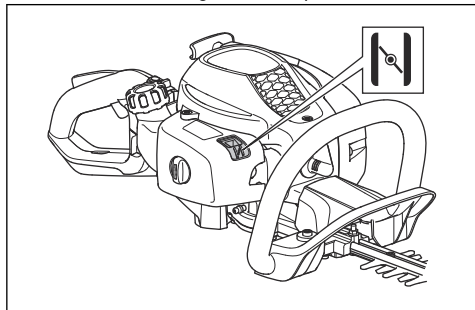
Det bageste håndtag kan justeres i 5 positioner.

- Frakobl håndtagslåsen, og drej håndtaget.



Sådan startes produktet med en kold motor

1. Træk chokerhåndtaget til chokerposition.



2. Tryk på brændstofpumpebolden cirka 6 gange, indtil den begynder at fylde med brændstof. Det er ikke nødvendigt at fylde brændstofpumpebolden helt.
3. Hold hoveddelen af produktet på jorden med venstre hånd. Træd ikke på produktet.
4. Træk langsomt i startsnorens håndtag med højre hånd, indtil du mærker modstand, og træk derefter hurtigt og kraftigt i startsnorens håndtag.



ADVARSEL: Sno aldrig startsnoren rundt om hånden.



BEMÆRK: Træk ikke startsnoren helt ud, og slip ikke startsnorens håndtag.

5. Fortsæt med at trække i startsnorens håndtag, indtil motoren starter, og skub derefter chokerhåndtaget til sin oprindelige position.



ADVARSEL: Klingerne bevæger sig, når motoren starter.

6. Træk i startsnorens håndtag, indtil motoren starter.
7. Tryk på og slip gasreguleringen for at indstille motorens omdrejningstal i tomgang.
8. Skub gasreguleringen gradvist for at øge motorens hastighed.
9. Sørg for, at motoren kører jævnt.

Sådan startes produktet med en varm motor

1. Hold hoveddelen af produktet på jorden med venstre hånd. Træd ikke på produktet.

2. Træk langsomt i startsnorens håndtag med højre hånd, indtil du mærker modstand, og træk derefter hurtigt og kraftigt i startsnorens håndtag. Fortsæt, indtil motoren starter.

Bemærk: For yderligere oplysninger om, hvordan du starter produktet, se *Sådan startes produktet med en kold motor på side 41*.

Sådan standses produktet

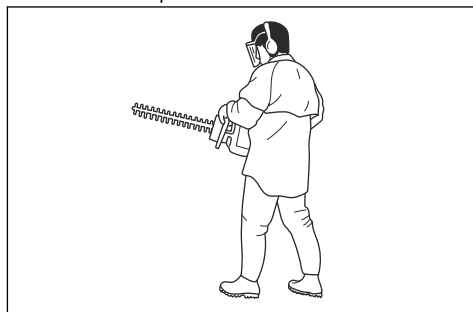
- Flyt stopkontakten til positionen stop for at standse motoren.



BEMÆRK: Stopkontakten vender automatisk tilbage til sin driftsposition.

Betjening af produktet

1. Start tæt ved jorden, og bevæg produktet op langs hækken, når du beskærer siderne. Sørg for, at hoveddelen af produktet ikke berører hækken.



ADVARSEL: Sørg for, at spidsen af skæreudstyret ikke berører jorden.

2. Juster hastigheden, så den passer til arbejdsmængden.
3. Hold produktet tæt på kroppen for at opnå en stabil arbejdsstilling.
4. Vær forsigtig, og betjen produktet langsomt.

Vedligeholdelse

Indledning



ADVARSEL: Læs og forstå sikkerhedskapitlet, før du udfører vedligeholdelse på produktet.

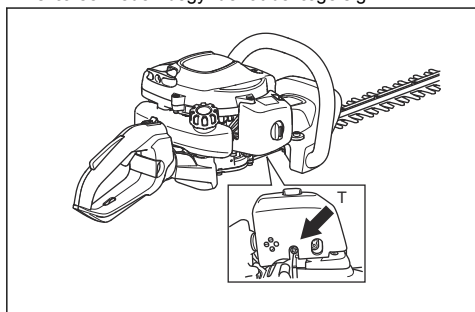
Vedligeholdelsesskema

Vedligeholdelse	Før brug	Efter 40 timer	Efter 100 timer
Rens de udvendige flader.	Efter hver brug.		
Rengør lyddæmperen, karburatorrøret og motoren for blade, snavs og uønsket smøremiddel.	Efter hver brug.		
Sørg for, at skæreenheden ikke bevæger sig i tomgang.	X		
Kontrollér stopkontakten. Se <i>Sådan kontrolleres stopkontakten på side 37.</i>	X		
Undersøg skæreenheden for skader og revner. Udskift dem, hvis de er beskadigede.	X		
Undersøg håndafskærmningen for skader og revner. Udskift dem, hvis de er beskadigede.	X		
Udfør en kontrol af gasreguleringslåsen og gasreguleringen. Se <i>Sådan kontrolleres gasreguleringslåsen på side 36.</i>	X		
Undersøg motoren, brændstoftanken og brændstofslangen for udsivning.	X		
Spænd møtrikker og skruer.	X		
Rengør eller udskift gnistfangerskærmen på lyddæmperen. Se <i>Kontroller lyddæmperen på side 37.</i>		X	
Undersøg startmotoren og startsnoren for skader.		X	
Kontrollér, at de skruer, som holder knivene, er fastspændt korrekt.		X	
Rens luftfilteret. Rengør oftere, hvis produktet bruges i støvholdige områder. Udskift dem, hvis de er beskadigede.		X	
Undersøg vibrationsdæmpningsenhederne for skader og revner. Udskift dem, hvis de er beskadigede.		X	
Rengør tændrørets udvendige flade og området omkring den. Fjern tændrøret, og mål elektrodeafstanden. Juster elektrodeafstanden, eller udskift tændrøret. Se <i>Sådan undersøger du tændrøret på side 43.</i>		X	
Rens kølesystemet.		X	
Rens karburatorens udvendige flader og området omkring den.		X	
Undersøg, om brændstoffilteret er rent, og sørg for, at der ikke er revner og andre fejl i brændstofslangen. Udskift dem, hvis de er beskadigede.			X
Rengør gnistfangerskærmen på lyddæmperen, og udskift den om nødvendigt.			X
Rengør brændstoftanken indvendigt.			X
Udskift tændrøret.			X

Vedligeholdelse	Før brug	Efter 40 timer	Efter 100 timer
Undersøg koblingen, koblingsfjederen og koblingstromlen for slitage. Få beskadigede dele udskiftet hos en godkendt serviceforhandler.			X
Sørg for, at gearhuset er fyldt op med fedt.			X
Udfør en kontrol af alle kabler og forbindelser.			X

Sådan justerer du tomgangshastigheden

1. Rengør luftfilteret, og fastgør luftfilterdækslet.
2. Start produktet. Se *Sådan startes produktet med en kold motor på side 41*.
3. Drej tomgangsjusteringsskruen T med uret, indtil skæreenheden begynder at bevæge sig.



4. Drej tomgangsjusteringsskruen T mod uret, indtil skæreenheden stopper.

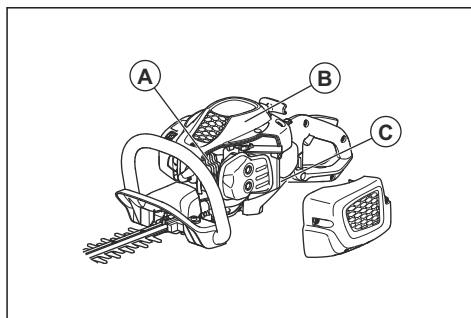


ADVARSEL: Hvis skæreenheden ikke stopper, når du justerer omdrejningstallet i tomgang, skal du kontakte din nærmeste serviceforhandler. Undlad at bruge produktet, indtil det er blevet korrekt indstillet eller repareret.

Bemærk: Tomgangshastigheden er korrekt, når motoren kører jævnt i alle positioner. Se *Tekniske data på side 46* for det anbefalede omdrejningstal i tomgang.

Sådan renser du kølesystemet

Kølesystemet holder motortemperaturen ned. Kølesystemet omfatter køleribberne på cylinderen (A), cylinderdækslet (B) og luftindtag via krumtaphuset (C).



BEMÆRK: Luftindtaget mellem brændstoftanken og krumtaphuset bliver let blokeret af blade. Rengør luftindtaget helt.

1. Rengør kølesystemet med en børste hver uge eller oftere, hvis det er nødvendigt.
2. Sørg for, at kølesystemet ikke er snavset eller tilstoppet.

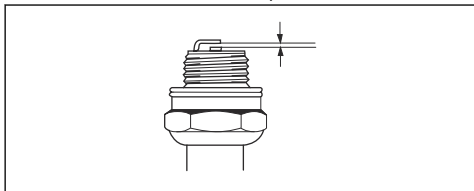
Sådan undersøger du tændrøret



BEMÆRK: Brug altid anbefalet tændrørstype. Forkert tændrørstype kan forårsage skader på produktet.

- Undersøg tændrøret, hvis motoren mangler kraft, ikke starter nemt eller ikke fungerer korrekt i tomgangshastighed.
- Sådan mindsker du risikoen for uønsket materiale på tændrørets elektroder, følg disse instruktioner:
 - a) Sørg for, at omdrejningstallet i tomgang er indstillet korrekt.
 - b) Sørg for, at brændstofblandingen er korrekt.
 - c) Sørg for, at luftfilteret er rent.

- Hvis tændrøret er beskidt, skal det renses, og samtidig skal det kontrolleres, at elektrodeafstanden er korrekt, se *Tekniske data på side 46*.

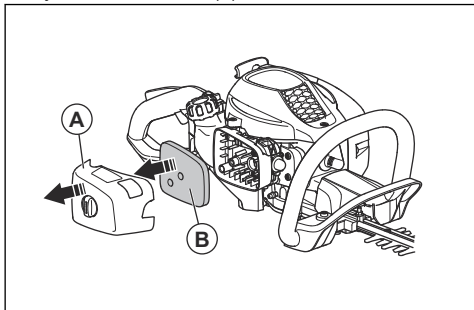


- Udskift tændrøret, når det er nødvendigt.

Rengøring af luftfilteret

Rens regelmæssigt luftfilteret for snavs og støv. Dette forhindrer karburatorfejle, startproblemer, tab af motoreffekt, slitage på motordelene og et højere brændstofforbrug end normalt.

1. Fjern luftfilterdækslet (A).



2. Fjern luftfilteret (B) fra filterrammen.
3. Rens luftfilteret med varmt sæbevand.



BEMÆRK: Et luftfilter, der har været brugt i lang tid, kan ikke blive helt rent. Udskift luftfilteret regelmæssigt, og udskift altid et defekt luftfilter.

4. Sørg for, at luftfilteret er tørt.
5. Sådan påfører du olie på luftfilteret. Se *Sådan påfører du olie på skumluftfilteret på side 44*.
6. Rengør indersiden af luftfilterdækslet. Brug trykluft eller en børste.

Sådan påfører du olie på skumluftfilteret

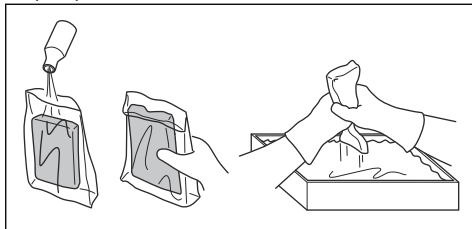


BEMÆRK: Brug altid McCULLOCH specialluftfilterolie. Brug ikke andre typer olie.



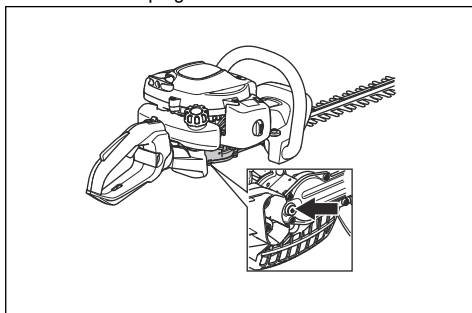
ADVARSEL: Tag beskyttelseshandsker på. Luftfilterets olie kan forårsage hudirritation.

1. Anbring skumluftfilteret i en plastpose.
2. Anbring olien i plastposen.
3. Grib plastposen for at sikre, at olien bliver påført jævnt på skumluftfilteret.
4. Tryk uønsket olie ud af skumluftfilteret, mens det er i plastposen.



Sådan smøres gearhuset

- Brug McCULLOCH specialfedt. Spørg serviceforhandleren for at få yderligere oplysninger om det anbefalede fedt.
- Tilsæt fedt gennem dækslet til påfyldning af smøremiddel på gearhuset.



BEMÆRK: Fyld ikke gearhuset helt op.

Sådan rengøres og smøres klingerne

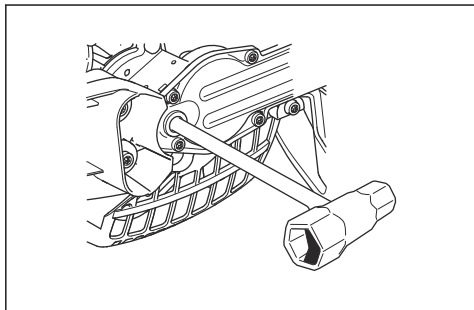
1. Rengør knivene for uønskede materialer før og efter brug af produktet.
2. Smør klingerne før længere tids opbevaring.

Bemærk: Spørg serviceforhandleren for at få yderligere oplysninger om anbefalede rengøringsmidler og smøremidler.

Sådan efterses knivene

1. Fjern dækslet på gearhuset.

2. Sørg for, at knivene bevæger sig frit. Sæt ring- og gaffelnøglen i gearhuset, og drej den med uret og mod uret.



3. Undersøg knivenes ægge for skader og defekter.
4. Brug en fil til at fjerne ujævnheder på knivene.

Fejlfinding

Fejlfinding

Motoren starter ikke		
Problem	Mulig årsag	Anbefalet trin
Starthager	Starthagerne kan ikke bevæge sig frit.	Juster eller udskift starthager.
		Rengør omkring starthagerne.
		Kontakt en godkendt serviceforhandler.
Brændstoftank	Forkert brændstoftype.	Tøm den, og brug korrekt brændstof.
Karburator	Forkert omdrejningstal i tomgang.	Juster omdrejningstallet i tomgang.
Ingen gnist	Tændrøret er snavset eller vådt.	Sørg for, at tændrøret er tørt og rent.
	Forkert elektrodeafstand.	Rens tændrøret. Sørg for, at elektrodeafstanden på tændrøret er korrekt. Sørg for, at tændrøret er monteret med radiostøjdemping. Se <i>Tekniske data på side 46</i> for korrekt elektrodeafstand.
Tændrør	Tændrøret er løst.	Spænd tændrøret.

Motoren starter, men stopper igen		
Problem	Mulig årsag	Anbefalet trin
Brændstoftank	Forkert brændstoftype.	Tøm den, og brug korrekt brændstof.
Karburator	Forkert omdrejningstal i tomgang.	Juster omdrejningstallet i tomgang. Se <i>Sådan justerer du tomgangshastigheden på side 43</i> . Tal med din serviceforhandler, hvis det er nødvendigt.

Motoren starter, men stopper igen		
Problem	Mulig årsag	Anbefalet trin
Luftfilter	Tilstoppet luftfilter.	Rens luftfilteret.

Kniv		
Problem	Mulige årsager	Anbefalet trin
Kniven bevæger sig langsomt eller kan ikke bevæge sig.	Kniven er blokeret eller beskadiget.	Rengør knivene for uønskede materialer. Se <i>Sådan rengøres og smøres klingerne på side 44</i> . Fjern ujævnheder fra kniven, se <i>Sådan efterses knivene på side 44</i> . Udskift kniven, hvis den er beskadiget.
Kniven har svært ved at skære.	Kniven er ikke skarp eller den er beskadiget.	Skærp kniven, se <i>Sådan efterses knivene på side 44</i> . Udskift klingens, hvis den er beskadiget.
Kniven bliver varm.	Der er friktion mellem knivene.	Fjern ujævnheder fra kniven, og smør den. Se <i>Sådan efterses knivene på side 44</i> .

Transport, opbevaring og bortskaffelse

Transport og opbevaring

- Lad altid produktet køle af, før det stilles væk.
- Ved opbevaring og transport af produktet og brændstoffet, skal du sørge for, at der ikke er utætheder eller dampe. Gnister eller åben ild, f.eks. fra elektriske enheder eller kedler, kan starte en brand.
- Brug altid godkendte beholdere til opbevaring og transport af brændstof.
- Tøm brændstofftanken før transport eller langtidsofvaring. Bortskaf brændstoffet på en lokal miljøstation.
- Fastgør transportbeskyttelsen under transport og opbevaring.

- Fjern tændhætten fra tændrøret.
- Fastspænd produktet under transporten. Sørg for, at det ikke kan rykke sig.
- Rens og udfør service på produktet inden langtidsofvaring.

Bortskaffelse

- Overhold de lokale krav og gældende regler.
- Bortskaf alle kemikalier, som f.eks. motorolie eller brændstof, hos et servicecenter eller på en lokal miljøstation.
- Bortskaf produktet på et godkendt bortskaffelsessted, eller send det til McCULLOCH mhp. bortskaffelse.

Tekniske data

Tekniske data

Tekniske data	SUPERLITE 4528	ERGOLITE 6028
Motor		
Cylindervolumen, cm ³	21,7	21,7
Omdrejningstal i tomgang, o/min.	2800	2800
Anbefalet maks. hastighed, o/min.	9000	9000
Maks. motoreffekt iht. ISO 8893, kW ved o/min.	0,6/7800	0,6/7800

Tekniske data	SUPERLITE 4528	ERGOLITE 6028
Lyddæmper med katalysator	Ja	Ja
Tændingssystem		
Tændrør	HQT-4 672201	HQT-4 672201
Elektrodeafstand, mm	0,5	0,5
Brændstof		
Brændstoftankens kapacitet, l	0,3	0,3
Vægt		
Vægt, kg	4,8	5,0
Støjmissioner ⁷		
Lydeffektniveau, målt dB(A)	100	100
Lydeffektniveau, garanteret L _{WA} dB (A)	101	101
Lydniveauer ⁸		
Ækvivalent lydtryksniveau ved brugerens ører målt i henhold til EN ISO 10517, dB(A)	93	93
Vibrationsniveauer ⁹		
Ækvivalente vibrationsniveauer (a _{hv,eq}) i håndtag målt i henhold til EN ISO 10517, m/s ² :		
Forreste/bageste, mm/s ²	3,5/4,4	4,1/5,2
Knive		
Type	Dobbelt	Dobbelt
Skærelængde, mm	450	590
Skærehastighed, klip/min.	4050	4050

⁷ Støjmissioner til omgivelserne målt som lydeffekt (L_{WA}) i henhold til EF-direktiv 2000/14/EF. Rapporteret lydeffektniveau for produktet er målt med det originale skæreudstyr, der giver det højeste niveau. Forskellen mellem garanteret og målt lydeffekt er, at den garanterede lydeffekt også omfatter spredning i måleresultatet og variationerne mellem forskellige maskiner af samme model i henhold til direktivet 2000/14/EF.

⁸ Rapporterede data for lydtryksniveau har en typisk statistisk spredning (standardafvigelse) på 1 dB (A).

⁹ Rapporterede data for vibrationsniveau har en typisk statistisk spredning (standardafvigelse) på 1 m/s².

EU-overensstemmelseserklæring

EU-overensstemmelseserklæring

Vi, **Husqvarna AB**, SE-561 82 Huskvarna, Sverige,
tlf.: +46-36-146500 erklærer under eneansvar, at det
pågældende produkt:

Beskrivelse	Hækkeklipper
Varemærke	McCULLOCH
Type / model	SUPERLITE 4528, ERGOLITE 6028
Identifikation	Serienumrene fra 2022 og fremefter

overholder følgende EU-direktiver og bestemmelser:

Regulativ	Beskrivelse
2006/42/EF	"vedrørende maskiner"
2014/30/EU	"vedrørende elektromagnetisk kompatibilitet"
2000/14/EF	"vedrørende støjemissioner til omgivelserne, bilag V"
2011/65/EU	"om begrænsning af anvendelsen af visse farlige stoffer i elektrisk og elektronisk udstyr"

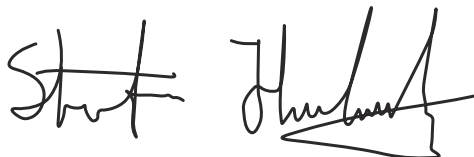
og at følgende standarder og/eller tekniske
specifikationer anvendes: EN ISO 12100:2010, EN ISO
10517:2019, EN IEC 63000:2018, EN ISO 14982:2009.

Udpeget organ: RISE SMP Svensk Maskinprovning AB,,
Box 7035, SE-750 07 Uppsala, Sweden har foretaget
frivillig typegodkendelse for Husqvarna AB.

Certifikatnummer: SEC/11/2327

Se *Tekniske data på side 46* vedr. oplysninger om
støjemission.

Huskvarna, 2022-02-15



Stefan Holmberg, Manager Handheld Global, Lab
Manager HH Global Services, Husqvarna AB

Ansvarlig for teknisk dokumentation

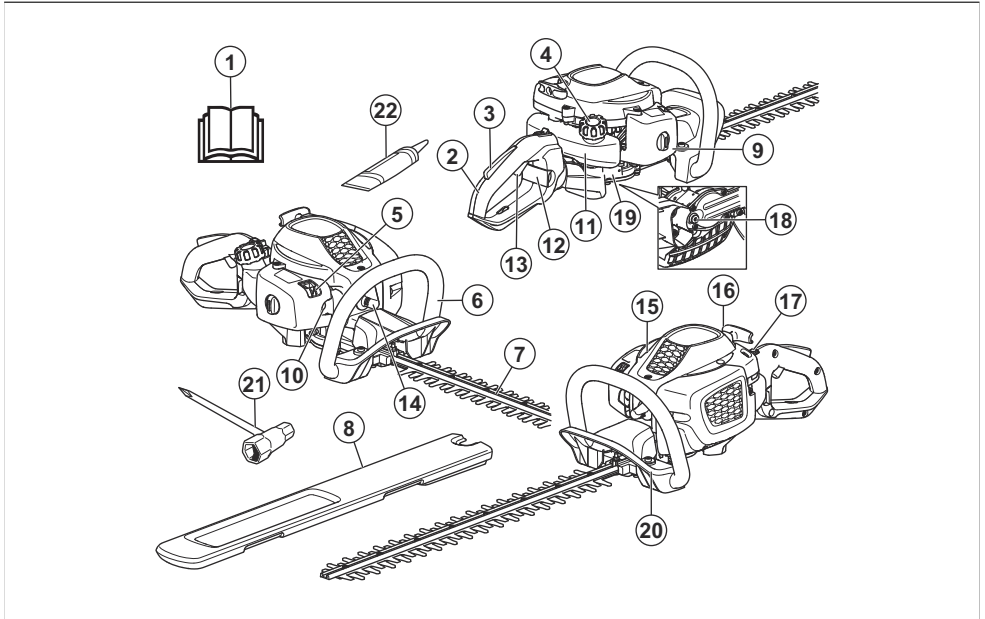


INNHold

Innledning.....	49	Feilsøking.....	60
Sikkerhet.....	50	Transport, oppbevaring og avhending.....	61
Drift.....	55	Tekniske data.....	62
Vedlikehold.....	57	EF-samsvarserklæring.....	64

Innledning

Produktoversikt



1. Bruksanvisning
2. Bakre håndtak
3. Gassregulatorsperre
4. Drivstofflokk
5. Chokehendel
6. Fremre håndtak
7. Blad og bladbeskyttelse
8. Transportbeskyttelse
9. Luftfilterdeksel
10. Pumpe (blære)
11. Drivstofftank
12. Håndtakslås (ErgoLite)
13. Gassregulator
14. Tennplugghette og tennplugg
15. Sylinderdeksel
16. Startsnorhåndtak
17. Stoppbryter
18. Påfyllingslokk for smøremiddel
19. Girhus
20. Håndbeskyttelse
21. Kombinasjonsnøkkel
22. Tube med fett

Produktbeskrivelse

Produktet er en heksaks med forbrenningsmotor.

Bruksområder

Bruk produktet å kappe grener og kvister. Ikke bruk produktet til andre oppgaver.

Symboler på produktet



ADVARSEL! Dette produktet kan være farlig og føre til alvorlig personskade eller død for brukeren eller andre. Vær forsiktig, og bruk produktet riktig.



Les nøye gjennom bruksanvisningen, og sørg for at du har forstått instruksjonene før bruk.



Bruk godkjent hørselsvern og godkjent øyevern.



Bruk godkjente vernehansker.



Bruk kraftige, sklisikre støvler.



Pumpe (blære).



Choke.



Lås for håndtaksjustering.



Drivstoff.



Støyutslipp til omgivelsene i henhold til EU-direktiv 2000/14/EF og New South Wales-forskriften «Protection of the Environment Operations (Noise Control) Regulation 2017». Du finner informasjon om støyutslipp på maskinetiketten og i kapitlet Tekniske data.



Dette produktet samsvarer med gjeldende EF-direktiver.

yyyywwxxxx

Typeskiltet viser serienummeret. **yyyy** er produksjonsåret og **ww** er produksjonsuken.

Merk: Øvrige symboler/klistremerker angitt på produktet gjelder sertifiseringskrav for visse markeder.

Euro V-utslipp



ADVARSEL: Tukling med motoren opphever EU-type-godkjenningen til dette produktet.

Sikkerhet

Sikkerhetsdefinisjoner

Advarsler, oppfordringer og merknader brukes for å understreke spesielt viktige deler av bruksanvisningen.



ADVARSEL: Brukes hvis det er fare for personskade eller død for brukeren eller andre personer om instruksjonene i håndboken ikke følges.



OBS: Brukes hvis det er fare for skade på produktet, annet materiell eller nærliggende områder om instruksjonene i håndboken ikke følges.

Merk: Brukes for å gi mer nødvendig informasjon for en spesifikk situasjon.

Generelle sikkerhetsinstruksjoner



ADVARSEL: Les de følgende advarselsinstruksjonene før du bruker produktet.

- Et produkt som brukes feil eller uaktsomt kan være et farlig redskap, som kan forårsake alvorlige, til og med livstruende skader. Det er meget viktig at du leser og forstår innholdet i denne bruksanvisningen.
- Dette produktet danner et elektromagnetisk felt når det er i bruk. Dette feltet kan under visse forhold forstyrre aktive eller passive medisinske implantater. For å redusere faren for hendelser som kan føre til alvorlig eller livstruende skade anbefaler vi at personer med medisinske implantater rådfører seg med lege og produsenten av det medisinske implantatet før dette produktet tas i bruk.
- Overeksponering for vibrasjoner kan føre til blodkar- eller nerveskader hos personer som har blodsirkulasjonsforstyrrelser. Oppsøk lege hvis du

- opplever fysiske symptomer som kan relateres til overeksponering for vibrasjoner. Eksempler på slike symptomer er nummenhet, manglende følelse, kribling, prikking, smerte, manglende eller redusert styrke, forandringer i hudens farge eller overflate. Disse symptomene oppstår vanligvis i fingre, hender eller håndledd. Risikoen kan øke ved lave temperaturer.
- En brukt lyddemper og gnistfanger kan inneholde kreftfremkallende forbrenningspartikler. Unngå å bli utsatt for disse stoffene når du håndterer lyddemperen eller gnistfangeren. Før du håndterer lyddemperen eller gnistfangeren, må du lese instruksjonene i *Slik kontrollerer du lyddemperen på side 53*.
 - Når du kommer ut for en situasjon som gjør deg usikker på fortsatt bruk, skal du rådføre deg med en ekspert. Henvend deg til forhandleren din eller serviceverkstedet ditt. Unngå all bruk som du ikke føler deg kvalifisert til.
 - Husk at brukeren er ansvarlig for ulykker eller farer som rammer andre mennesker eller deres eiendom.
 - La aldri andre bruke produktet før du har forsikret deg om at de har forstått innholdet i bruksanvisningen.
 - La aldri barn bruke eller oppholde seg i nærheten av produktet. Ettersom produktet er utstyrt med fjærbelastet stopp-bryter og kan startes med lav hastighet og kraft på starthåndtaket, kan selv små barn under visse omstendigheter oppnå den kraft som trengs for å starte maskinen. Dette kan medføre risiko for alvorlig personskade. Ta derfor av tennpluggghetten når produktet ikke er under oppsikt.
 - Oppbevar produktet utilgjengelig for barn.
 - Bruk aldri produktet hvis du er trett, har drukket alkohol eller bruker medisiner som kan påvirke syn, vurderingsevne eller koordinasjon.
 - Bruk aldri et defekt produkt. Følg kontroll-, vedlikeholds- og serviceinstruksjonene i denne bruksanvisningen. Noen vedlikeholds- og servicetiltak må utføres av opplærte og kvalifiserte spesialister. Se instruksjonene under overskriften Vedlikehold.
 - Bruk aldri et produkt som er modifisert slik at det ikke lenger er i samsvar med originalutførelsen.
 - Pass på omgivelsene og forviss deg om at det ikke er fare for at mennesker eller dyr kan komme i kontakt med skjærestyrt.
 - Inspiser arbeidsområdet. Fjern gjenstander som kan bli slynget av gårde.
 - Pass alltid på at du har en sikker og stødig arbeidsstilling.
 - La aldri produktet stå uten tilsyn når motoren er i gang.
 - Påse at ikke hender og føtter kommer nær klippeaggregatet når motoren er i gang.
 - Hvis noe skulle sette seg fast i knivene under arbeidets gang, skal motoren stanses og stanses helt før knivene rengjøres. Koble tennpluggghetten fra tennpluggen.
 - Når motoren er slått av, må du holde hender og føtter unna klippeaggregatet helt til det har stanset helt.
 - Se opp for grenstumper som kan slynges i vei under klipningen.
 - Vær alltid oppmerksom på varselsignaler eller tilrop ved bruk av hørselsvern. Ta alltid av hørselsvernet så snart motoren er stanset.
 - Arbeid aldri på en stige, skammel eller stå på noe annet som ikke er ordentlig sikret.
 - Bruk alltid begge hendene til å holde i produktet. Hold produktet foran kroppen.
 - Hvis du treffer en gjenstand eller det oppstår kraftige vibrasjoner, må produktet stanses øyeblikkelig. Koble tennpluggghetten fra tennpluggen. Kontroller at produktet ikke er skadet. Reparer eventuelle skader.
 - Påse at tennpluggghetten og tenningskabelen er uskadde for å unngå fare for elektrisk støt.
 - Kontroller at alle muttere og skruer er trukket ordentlig til.
 - Kontroller at girkassen er godt smurt. Se *Slik smører du girhuset på side 60*.
 - Girkassen blir varm når produktet har vært i bruk. For å unngå brannskader må du ikke ta på girkassen.
 - Samtlige deksler og beskyttelser må være montert før start.
 - Hvis knivene setter seg fast, kan de løses ved å stikke kombinøkkelen inn i girkassen. Stikk kombinøkkelen inn i girkassen, og vri den frem og tilbake. Se *Slik smører du girhuset på side 60*.
 - Transportbeskyttelsen skal alltid settes på klippeaggregatet når produktet ikke brukes.

Sikkerhetsinstruksjoner for drift



ADVARSEL: Les de følgende advarselinstruksjonene før du bruker produktet.

- Bruk aldri produktet i ekstreme klimaforhold som sterk kulde eller meget varmt og/eller fuktig klima.
- Feil på knivene kan øke risikoen for ulykker.
- Sørg for at ingen mennesker eller dyr kommer nærmere enn 15 m (50 fot) unna mens du arbeider.

Personlig verneutstyr

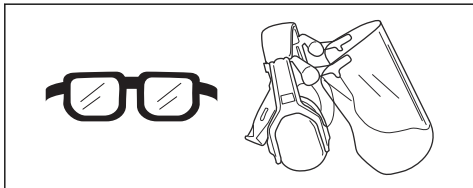


ADVARSEL: Les de følgende advarslene før du bruker produktet.

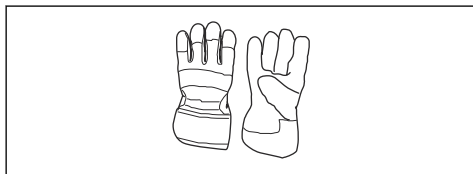
- Benytt alltid godkjent verneutstyr når du bruker produktet. Verneutstyr kan aldri fullstendig forhindre skade, men det reduserer skadeomfanget hvis

ulykken inntreffer. Spør forhandleren din om hjelp til å velge riktig utstyr.

- Bruk godkjent hørselsvern med tilstrekkelig lyddempende virkning. Langvarig eksponering overfor støy kan gi varige hørselsskader.
- Bruk godkjent øyevern. Ved bruk av visir skal det også brukes godkjente vernebriller. Godkjente vernebriller er slike som tilfredsstiller standard ANSI Z87.1 for USA eller EN 166 for EU-land.



- Bruk hansker når det er nødvendig, for eksempel når du fester, undersøker eller rengjør skjæreutstyret.



- Bruk sklisikre og solide støvler eller sko.



- Bruk klær av et slitesterkt materiale. Bruk alltid tykke langbukser og lange ermer. Unngå bruk av altfor vide klær som lett henger seg fast i kvister og grener. Ikke bruk smykker, kortbukser eller sandaler, og ikke gå barbert. Sett håret opp over skuldernivå.
- Ha førstehjelpsutstyr for hånden.



Sikkerhetsutstyr på produktet

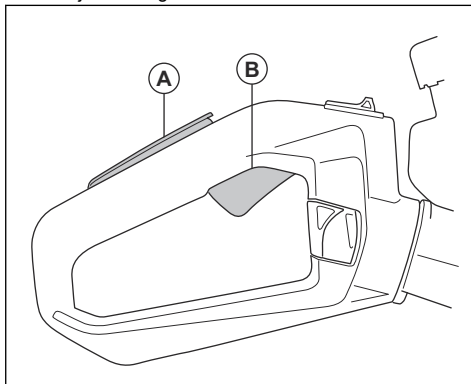


ADVARSEL: Les de følgende advarselinstruksjonene før du bruker produktet.

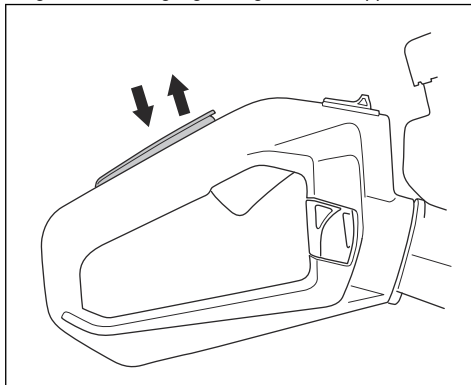
- Ikke bruk produktet dersom sikkerhetsutstyret er defekt.
- Utfør regelmessig kontroll av sikkerhetsutstyret. Ta kontakt med ditt McCULLOCH-serviceverksted, dersom sikkerhetsutstyret er defekt.

Slik kontrollerer du gassregulatorsperren

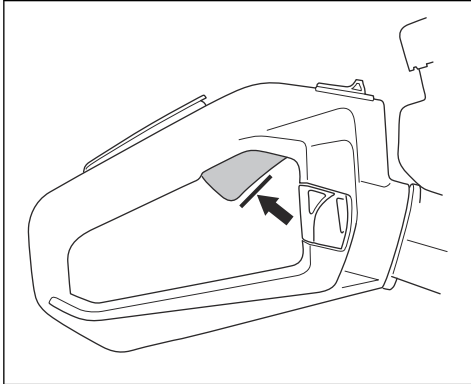
1. Kontroller at gassregulatorsperren (A) og gassregulatoren (B) kan bevege seg fritt, og at returfjæren fungerer som den skal.



2. Trykk på gassregulatorsperren, og kontroller at den går tilbake til utgangsstillingen når du slipper den.



- Slipp gassregulatorsperran, og kontroller at gassregulatoren er låst i tomgangsstilling.



- Start motoren, og gi full gass.
- Slipp gassregulatoren, og forsikre deg om at knivene stopper helt.



ADVARSEL: Hvis knivene beveger seg når gassregulatoren står i tomgangsstilling, må du justere tomgangsturtallet. Se *Slik justerer du tomgangsturtallet på side 58.*

Slik kontrollerer du stoppbryteren

- Start motoren.
- Skyv stoppbryteren til stoppstillingen, og sjekk at motoren stopper.



ADVARSEL: Stoppbryteren går automatisk tilbake til startstillingen. For å hindre utilsiktet start må du fjerne tennpluggen fra tennpluggen når du monterer eller utfører vedlikehold på produktet.

Slik kontrollerer du håndbeskyttelsen

Håndbeskyttelsen forhindrer skade forårsaket av knivene.

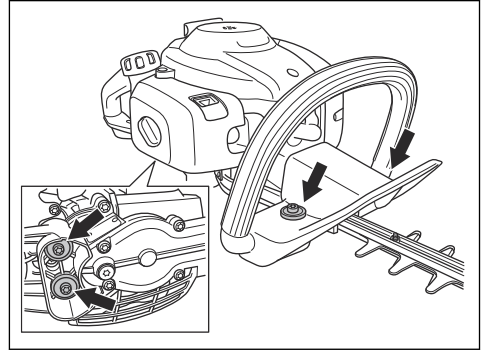
- Stopp motoren.
- Kontroller at håndbeskyttelsen er plassert riktig.
- Kontroller håndbeskyttelsen for skader.

Slik kontrollerer du avvibringssystemet

Avvibringssystemet reduserer vibrasjonene i håndtakene. Avvibringsenhetene fungerer som et skille mellom produktets hoveddel og håndtaket.

- Utfør en visuell sjekk etter deformeringer og skader.

- Kontroller at de vibrasjonsdempende enhetene er riktig festet.



Slik kontrollerer du lydempere



ADVARSEL: Ikke bruk produktet uten lydempere eller med en defekt lydempere. En defekt lydempere kan øke støynivået og faren for brann. Ikke bruk produktet uten gnistfangerskjerm eller med en ødelagt gnistfangerskjerm. Ved eventuelle skader på gnistfangerskjermen må den byttes ut.



ADVARSEL: En brukt lydempere og gnistfanger kan inneholde kreftfremkallende forbrenningspartikler. Bruk vernehansker og utfør vedlikehold i et godt ventilert miljø for å unngå hudkontakt og innånding av kreftfremkallende partikler. Ikke bruk trykkluft til å rengjøre gnistfangeren. Bruk en stålbørste og børst vekk fra kroppen når du rengjør gnistfangeren.



ADVARSEL: Lydempere blir svært varme under og etter bruk, også på tomgang.



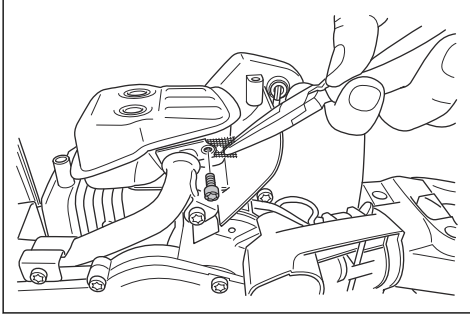
OBS: Hvis gnistfangerskjermen ofte blir tett, kan dette være et tegn på redusert katalysatorytelse. Kontakt serviceforhandleren for kontroll av lydempere. Enheten overopphetes hvis gnistfangerskjermen er tett, med skader på sylindere og stempel som følge.



ADVARSEL: Lydempere indre overflater inneholder kjemikalier som kan forårsake kreft. Vær forsiktig så du ikke berører disse elementene dersom lydempere har blitt skadet.

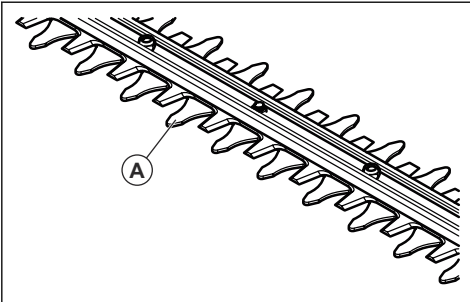
Lyddemperen begrenser støynivået og sender avgassene bort fra brukeren. En lyddemper med katalysator gir lavere utslipp av skadelige avgasser.

1. Stopp motoren.
2. Utfør en visuell sjekk etter skader og deformeringer.
3. Kontroller at lyddemperen er festet til produktet på riktig måte.
4. Rengjør gnistfangernettet med en stålbørste.



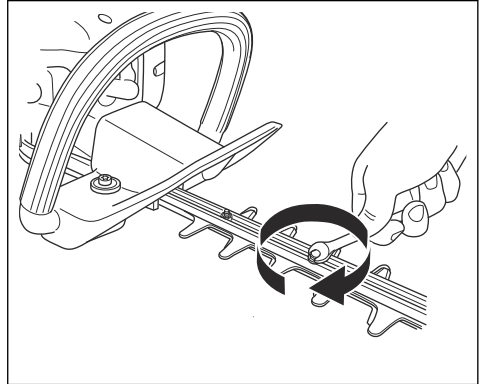
Slik kontrollerer du kniven og knivbeskyttelsen

Ytterkantene av knivene (A) fungerer som knivbeskyttelse. Knivbeskyttelsen hindrer også brukeren i å komme i kontakt med kniven ved et uhell.



1. Stopp motoren, og kontroller at klippeaggregatet stopper.
2. Fjern tennpluggetten fra tennpluggen.
3. Ta på deg vernehansker.
4. Kontroller at kniven og knivbeskyttelsen ikke er skadet eller bøyd. Bytt alltid ut en ødelagt eller bøyd kniv.

5. Kontroller at skruene på klippeaggregatet er festet. Trekk til skruene med 7–10 Nm.



Drivstoffsikkerhet



ADVARSEL: Les de følgende advarslene før du bruker produktet.

- Ikke start produktet hvis det er drivstoff eller motorolje på produktet. Fjern uønsket drivstoff/olje, og la produktet tørke.
- Skift klær umiddelbart hvis du søler drivstoff på klærne.
- Ikke få drivstoff på kroppen, det kan føre til personskade. Bruk såpe og vann for å fjerne drivstoff hvis du får drivstoff på kroppen.
- Ikke start produktet hvis motoren lekker. Kontroller motoren for lekkasjer med jevne mellomrom.
- Vær forsiktig med drivstoff. Drivstoff er brannfarlig, og avgassene er eksplosive og kan forårsake personskade eller død.
- Ikke pust inn bensindamp, det kan føre til personskade. Pass på at det er tilstrekkelig luftstrøm.
- Du må ikke røyke i nærheten av drivstoff eller motoren.
- Ikke sett varme gjenstander i nærheten av drivstoff eller motoren.
- Ikke fyll på drivstoff når motoren er på.
- Kontroller at motoren er avkjølt før du fyller på drivstoff.
- Åpne tanklokket sakte og slipp ut trykket forsiktig før du fyller.
- Ikke fyll drivstoff på motoren innendørs. En utilstrekkelig luftstrøm kan føre til personskade eller dødsfall på grunn av kvelling eller karbonmonoksidforgiftning.
- Trekk til drivstofflokket helt. Hvis drivstofflokket ikke er strammet, kan det utgjøre en risiko for brann.
- Flytt produktet minst 3 m (10 fot) fra stedet der du fylte tanken, før du starter det.

- Fyll ikke drivstofftanken helt opp. Varme fører til at drivstoffet utvider seg. Lad det være litt plass øverst i drivstofftanken.

Sikkerhetsinstruksjoner for vedlikehold



ADVARSEL: Les de følgende advarselinstruksjonene før du bruker produktet.

- Stopp motoren, og kontroller at skjæreutstyret stopper. La produktet bli avkjølt før du utfører vedlikehold.
- Koble fra tennpluggetten før du utfører vedlikehold.
- Eksosen fra motoren inneholder karbonmonoksid, en luktfri, giftig og svært farlig gass som kan forårsake dødsfall. Ikke bruk produktet innendørs eller i lukkede rom.

- Motorens avgasser er varme og kan inneholde gnister. Ikke bruk produktet innendørs eller i nærheten av brennbare materialer.
- Tilbehør og endringer på produktet som ikke er godkjent av produsenten, kan føre til alvorlig personskade eller dødsfall. Ikke foreta endringer av produktet. Bruk alltid originalt tilbehør.
- Hvis vedlikeholdet ikke utføres riktig og regelmessig, øker faren for personskade og skade på produktet.
- Bare utfør vedlikehold som er anbefalt i denne bruksanvisningen. La et godkjent McCULLOCH-serviceverksted utføre all annen service.
- La et godkjent McCULLOCH-serviceverksted utføre service på produktet regelmessig.
- Skift ut alle skadde, slitte eller ødelagte deler.

Drift

Innledning



ADVARSEL: Les og forstå kapittelet om sikkerhet før du bruker produktet.

Drivstoff

Dette produktet har en totaktsmotor.



OBS: Feil type drivstoff kan føre til skader på motoren. Bruk en blanding av bensin og totaktsolje.

Forhåndsblandet drivstoff

- Bruk McCULLOCH forhåndsblandet alkylatdrivstoff for å få best mulig ytelse og forlengelse av motorens levetid. Drivstoffet inneholder færre skadelige stoffer sammenlignet med vanlig drivstoff, noe som reduserer skadelige avgasser. Mengden rester etter forbrenning er lavere med dette drivstoffet, noe som holder motoren ren.

Slik blander du drivstoff

Bensin

- Bruk kvalitetsbensin av blyfri type med maksimalt 10 prosent etanolinnhold.



OBS: Ikke bruk bensin med et oktantal som er mindre enn 90 RON/87 AKI. Bruk av lavere oktantal kan føre til motorbanking, noe som forårsaker motorskader.

Totaktsolje

- For å få best mulig resultat og ytelse bør du bruke McCULLOCH-totaktsolje.
- Hvis det ikke er mulig å få tak i McCULLOCH-totaktsolje, kan du bruke en totaktsolje av høy kvalitet for luftkjølte motorer. Snakk med serviceforhandleren din for å velge riktig olje.



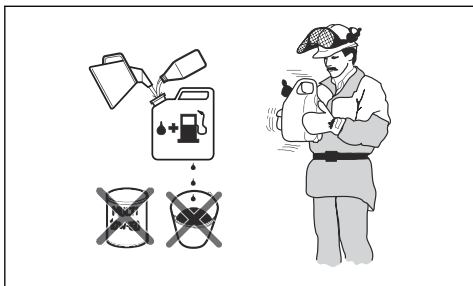
OBS: Bruk ikke totaktsolje beregnet på vannkjølte påhengsmotorer, såkalt outboardoil. Ikke bruk olje for firetaktsmotorer.

Blande bensin og totaktsolje

Bensin, liter	Totaktsolje, liter
	2 % (50:1)
5	0,10
10	0,20
15	0,30
20	0,40



OBS: Små feil kan påvirke blandingsforholdet drastisk når du blander små mengder drivstoff. Mål oljemengden som skal blandes, svært nøyaktig for å sikre at du får riktig blandingsforhold.



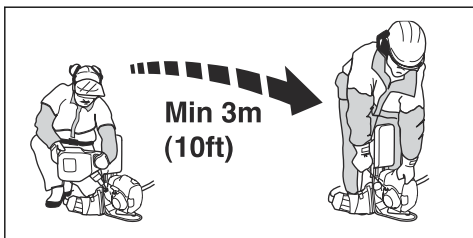
1. Fyll halve drivstoffmengden i en ren beholder for drivstoff.
2. Tilsett all oljen.
3. Rist drivstoffblandingen.
4. Fyll resten av bensinen på beholderen.
5. Rist drivstoffblandingen forsiktig.



OBS: Ikke bland drivstoff for mer enn én måned om gangen.

Slik fyller du drivstofftanken

1. Tørk rent rundt drivstofflokket.
2. Rist beholderen, og forsikre deg om at drivstoffet er helt blandet. Bruk en bensinkanne med overfyllingsbeskyttelse.
3. Fjern lokket på drivstofftanken.
4. Fyll drivstofftanken.
5. Trekk forsiktig til drivstofflokket.
6. Flytt produktet minst 3 m bort fra drivstoffkilden og stedet der du fylte drivstoff, før oppstart.

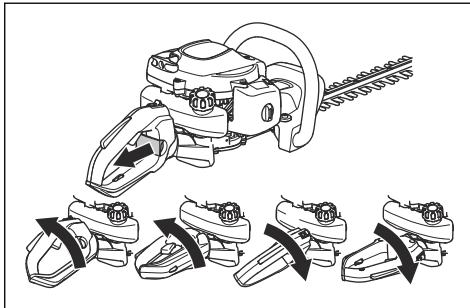


OBS: Forurensninger i tankene fører til driftsforstyrrelser. Rengjør drivstofftanken og kjedeoljetanken regelmessig, og skift drivstoffilteret minst én gang i året.

Slik justerer du håndtaket (ERGOLITE 6028)

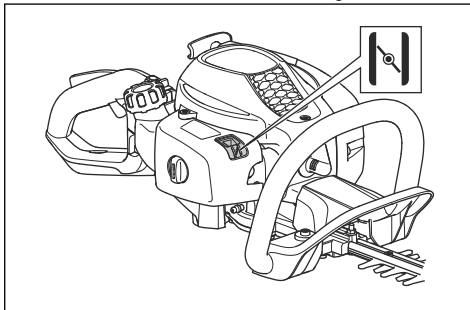
Det bakre håndtaket kan justeres til fem stillinger.

- Løse håndtakslåsen, og vri håndtaket.



Slik starter du produktet når motoren er kald

1. Trekk chokehendelen til choke-stillingen.



2. Trykk på pumpen omtrent seks ganger eller til drivstoffet begynner å fylle blæren. Det er ikke nødvendig å fylle blæren helt.
3. Hold produktet på bakken med venstre hånd. Ikke trakk på produktet.
4. Dra forsiktig i startsnoren med høyre hånd til du føler litt motstand. Dra deretter raskt i startsnoren med kraft.



ADVARSEL: Surr aldri startsnoren rundt hånden.



OBS: Ikke trekk startsnoren helt ut, og ikke slipp håndtaket på startsnoren.

5. Fortsett å trekke i startsnorhåndtaket til motoren starter, og skyv deretter chokehendelen til sin opprinnelige stilling.



ADVARSEL: Bladet beveger seg når motoren starter.

6. Fortsett å trekke i startsnorhåndtaket til motorene starter.

- Trykk inn og slipp gassregulatoren for å stille inn motoren på tomgang.
- Skv gradvis på gassregulatoren for å øke motorens turtall.
- Kontroller at motoren går jevnt.

Slik starter du produktet når motoren er varm

- Hold produktet på bakken med venstre hånd. Ikke trakk på produktet.
- Dra forsiktig i startsnoren med høyre hånd til du føler litt motstand. Dra deretter raskt i startsnoren med kraft. Fortsett til motoren starter.

Merk: Hvis du vil ha mer informasjon om hvordan du starter produktet, kan du se *Slik starter du produktet når motoren er kald på side 56*.

Slik stopper du produktet

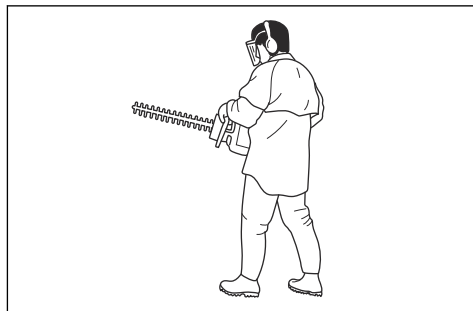
- Flytt stoppbryteren til stopposisjonen for å stoppe motoren.



OBS: Stoppbryteren går automatisk tilbake til driftsstillingen.

Slik bruker du produktet

- Når du klipper sidene på hekken, er det lurt å begynne nærme bakken og flytte produktet opp langs siden av hekken. Pass på at produktkroppen ikke kommer i kontakt med hekken.



ADVARSEL: Sørg for at tuppen av skjæreutstyret ikke kommer i kontakt med bakken.

- Juster turtallet etter arbeidsbelastningen.
- Hold produktet nær kroppen for å ha en stabil arbeidsposisjon.
- Vær forsiktig, og bruk produktet langsomt.

Vedlikehold

Innledning



ADVARSEL: Les og forstå kapittelet om sikkerhet før du utfører vedlikehold på produktet.

Vedlikeholdsskjema

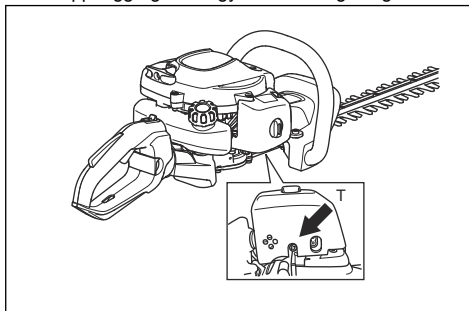
Vedlikehold	Før bruk	Etter 40 timer	Etter 100 timer
Rengjør de utvendige overflatene.		Etter hver bruk.	
Rengjør lydempere, eksosrøret og motoren for løv, smuss og uønsket smøremiddel.		Etter hver bruk.	
Kontroller at klippeaggregatet ikke går på tomgang.	X		
Kontroller stoppbryteren. Se <i>Slik kontrollerer du stoppbryteren på side 53</i> .	X		
Undersøk klippeaggregatet for skader og sprekker. Skift ut utstyret hvis det er skadet.	X		
Undersøk håndbeskyttelsen for skader og sprekker. Skift ut utstyret hvis det er skadet.	X		
Utfør en kontroll av gassregulatorsperren og gassregulatoren. Se <i>Slik kontrollerer du gassregulatorsperren på side 52</i> .	X		

Vedlikehold	Før bruk	Etter 40 timer	Etter 100 timer
Undersøk motoren, drivstofftanken og drivstoffslangen for lekkasjer.	X		
Trekk til muttere og skruer.	X		
Rengjør eller skift lydtemperens gnistfangerskjerm. Se <i>Slik kontrollerer du lydtemperen på side 53</i> .		X	
Undersøk starteren og startsnoren for skader.		X	
Sørg for at skruene som holder kniven sammen, er trukket riktig til.		X	
Rengjør luftfilteret. Rengjør oftere hvis den brukes i områder som har støv. Skift ut utstyret hvis det er skadet.		X	
Undersøk de vibrasjonsdempende enhetene for skader og sprekker. Skift ut utstyret hvis det er skadet.		X	
Rengjør utsiden av tennpluggen og området rundt den. Fjern tennpluggen, og mål elektrodeavstanden. Juster elektrodeavstanden eller bytt ut tennpluggen. Se <i>Kontroller tennpluggen på side 59</i> .		X	
Rengjør kjølesystemet.		X	
Rengjør utsiden av forgasseren og området rundt den.		X	
Kontroller at drivstoffilteret ikke er forurenset eller at drivstoffslangen har sprekker eller andre feil. Skift ut utstyret hvis det er skadet.			X
Rengjør gnistfangerskjermen på lydtemperen. Hvis den er skadet, må den byttes ut.			X
Rengjør de indre overflatene på drivstofftanken.			X
Skift tennplugg.			X
Se etter slitasje på clutchen, koblingsfjæren og koblingstrømmelen. Hvis utstyret er skadet, må det skiftes ut av en godkjent serviceforhandler.			X
Sørg for at girhuset er fylt med fett.			X
Kontroller alle kabler og forbindelser.			X

Slik justerer du tomgangsturtallet

1. Rengjør luftfilteret, og fest luftfilterdekslet.
2. Start produktet. Se *Slik starter du produktet når motoren er kald på side 56*.

3. Vri justeringskruen for tomgang (T) med urviseren til klippeaggregatet begynner å bevege seg.



4. Vri justeringskruen for tomgang mot urviseren til klippeaggregatet stanser.

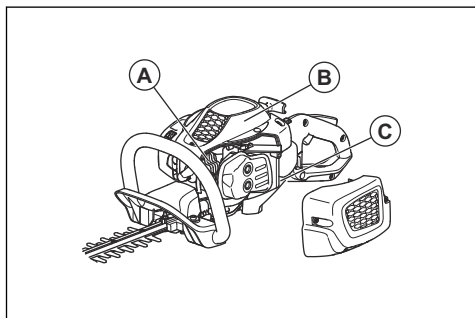


ADVARSEL: Hvis klippeaggregatet ikke stopper når du juster tomgangsturtallet, må du kontakte nærmeste serviceverksted. Ikke bruk produktet før det er riktig justert eller reparert.

Merk: Tomgangsturtallet er korrekt når motoren går jevnt i alle stillinger. Se *Tekniske data på side 62* for å finne anbefalt tomgangsturtall.

Slik rengjør du kjølesystemet

Kjølesystemet holder motortemperaturen nede. Kjølesystemet omfatter kjøleflenser på sylindren (A), sylinderdekelet (B) og luftinntaket gjennom veivhuset (C).



OBS: Luftinntaket mellom drivstofftanken og veivhuset kan fort bli tilstoppet av løv. Rengjør luftinntaket helt.

1. Rengjør kjølesystemet med en børste ukentlig, eller oftere ved behov.
2. Kontroller at kjølesystemet ikke er skittent eller tilstoppet.

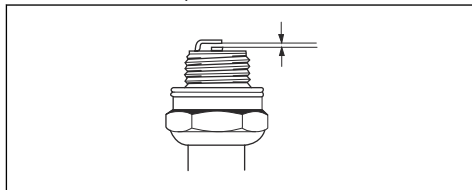
Kontrollere tennpluggen



OBS: Bruk alltid anbefalt type tennplugg. Feil tennpluggtype kan føre til skade på produktet.

- Undersøk tennpluggen hvis motorens effekt er for lav, ikke er enkel å starte eller ikke fungerer riktig på tomgang.
- Følg disse instruksjonene for å redusere risikoen for uønsket materiale på tennpluggenes elektroder:
 - a) Pass på at tomgangsturtallet er riktig justert.
 - b) Pass på at drivstoffblandingen er riktig.
 - c) Kontroller at luftfilteret er rent.

- Hvis tennpluggen er skitten, må du rengjøre den og samtidig kontrollere at elektrodeavstanden er riktig. Se *Tekniske data på side 62*.

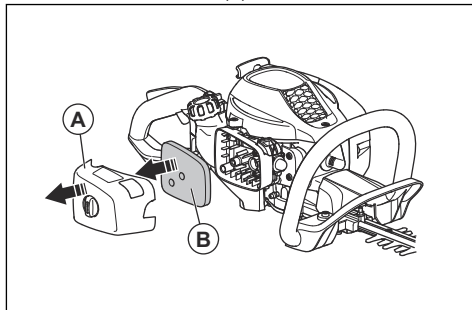


- Skift tennpluggen når det er nødvendig.

Slik rengjør du luftfilteret

Fjern skitt og støv fra luftfilteret jevnlig. Dette forhindrer forgasserforstyrrelser, startproblemer, tap av motoreffekt, slitasje på motordelene og større drivstofforbruk enn vanlig.

1. Ta av luftfilterdekelet (A).



2. Ta ut luftfilteret (B) fra filterrammen.
3. Rengjør luftfilteret med varmt såpevann.



OBS: Et luftfilter som brukes i lang tid, blir aldri fullstendig rent. Skift luftfilteret regelmessig, og skift alltid ut et defekt luftfilter.

4. Kontroller at luftfilteret er tørt.
5. Påfør olje på luftfilteret. Se *Slik påfører du olje på skumluftfilteret på side 59*.
6. Rengjør den indre overflaten til luftfilterdekelet. Bruk trykkluft eller en børste.

Slik påfører du olje på skumluftfilteret



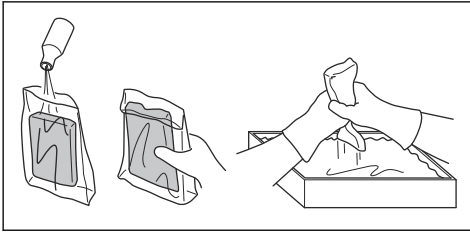
OBS: Bruk alltid McCULLOCH spesiell luftfilterolje. Ikke bruk andre typer olje.



ADVARSEL: Ta på deg vernehansker. Luftfilterolje kan føre til hudirritasjon.

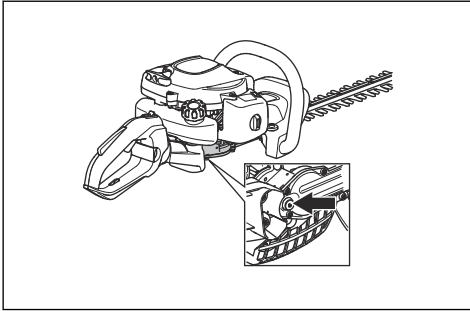
1. Plasser skumluftfilteret i en plastpose.

2. Hell oljen i plastposen.
3. Klem på plastposen for å fordele oljen likt på skumluftfilteret.
4. Skyv den uønskede oljen ut av skumluftfilteret mens det er i plastposen.



Slik smører du girhuset

- Bruk McCULLOCH spesialfett. Ta kontakt med serviceforhandleren din for å få mer informasjon om anbefalt fett.
- Påfør fettet gjennom påfyllingslokket for smøremiddel på girhuset.



OBS: Ikke fyll girhuset helt.

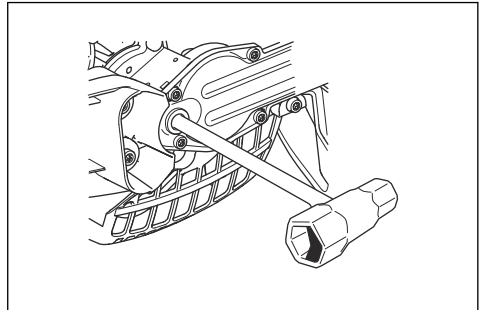
Slik rengjør og smører du bladet

1. Rengjør uønsket materiale fra bladet før og etter bruk av produktet.
2. Smør bladet før lang tids oppbevaring.

Merk: Ta kontakt med serviceforhandleren din for å få mer informasjon om anbefalt rengjørings- og smøremiddel.

Slik undersøker du bladet

1. Ta av påfyllingslokket for smøremiddel på girhuset.
2. Kontroller at bladet beveger seg fritt. Sett kombinasjonsnøkkelen i girhuset og dreii med og mot klokken.



3. Undersøk eggene på bladet for skader og deformering.
4. Bruk en fil for å fjerne ujevnheter på bladet.

Feilsøking

Feilsøking

Motoren starter ikke		
Problem	Mulig årsak	Anbefalt trinn
Starthaker	Starthakene beveger seg ikke fritt.	Juster eller skift ut starthakene.
		Rengjør rundt starthakene.
		Ta kontakt med en godkjent serviceforhandler.
Drivstofftank	Feil drivstofftype.	Tøm den og bruk riktig drivstoff.
Forgasser	Feil tomgangsturtall.	Juster tomgangsturtallet.

Motoren starter ikke		
Problem	Mulig årsak	Anbefalt trinn
Ingen gnist	Tennpluggen er skitten eller våt.	Kontroller at tennpluggen er tørr og ren.
	Feil elektrodeavstand.	Rengjør tennpluggen. Påse at elektrodeavstanden på tennpluggen er riktig. Påse at tennpluggen har støydemping. Se <i>Tekniske data på side 62</i> for å finne informasjon om riktig elektrodeavstand.
Tennplugg	Tennpluggen er løs.	Stram til tennpluggen.

Motoren starter, men stopper igjen		
Problem	Mulig årsak	Anbefalt trinn
Drivstofftank	Feil drivstofftype.	Tøm den og bruk riktig drivstoff.
Forgasser	Feil tomgangsturtall.	Juster tomgangsturtallet. Se <i>Slik justerer du tomgangsturtallet på side 58</i> . Snakk med serviceforhandleren ved behov.
Luftfilter	Tilstoppet luftfilter.	Rengjør luftfilteret.

Kniv		
Problem	Mulige årsaker	Anbefalt trinn
Kniven beveger seg sakte eller beveger seg ikke.	Kniven er blokkert eller skadet.	Fjern uønsket materiale fra knivene. Se <i>Slik rengjør og smører du bladet på side 60</i> . Fjern alle ujevnheter fra kniven. Se <i>Slik undersøker du bladet på side 60</i> . Bytt kniven hvis den er skadet.
Det er ikke alltid lett å skjære med kniven.	Kniven er ikke skarp, eller den er skadet.	Slip kniven. Se <i>Slik undersøker du bladet på side 60</i> . Bytt kniven hvis den er skadet.
Kniven blir varm.	Det er friksjon mellom knivene.	Fjern alle ujevnheter fra kniven, og smør den. Se <i>Slik undersøker du bladet på side 60</i> .

Transport, oppbevaring og avhending

Transport og oppbevaring

- La alltid produktet kjøles ned før det settes bort.
- Før oppbevaring og transport av produktet og drivstoff, må du kontrollere at det ikke finnes lekkasjer eller gasser. Gnister eller åpen ild, for eksempel fra elektriske apparater eller varmekjeler, kan starte en brann.
- Bruk alltid godkjente beholdere for oppbevaring og transport av drivstoff.
- Tøm produktet for drivstoff før transport eller før lang tids oppbevaring. Lever drivstoffet hos en returstasjon.
- Fest transportbeskyttelsen under transport og oppbevaring.
- Fjern tennpluggen fra tennpluggen.
- Fest produktet under transport. Kontroller at det ikke kan bevege seg.

- Rengjør og utfør vedlikehold av produktet før lengre tids oppbevaring.

- Kast alle kjemikalier, for eksempel motorolje eller drivstoff, på et servicesenter eller en returstasjon.
- Kast produktet på et godkjent avfallsmottak, eller send det til McCULLOCH for kassering.

Kassering

- Følg lokale bestemmelser og gjeldende regelverk.

Tekniske data

Tekniske data

Tekniske data	SUPERLITE 4528	ERGOLITE 6028
Motor		
Sylindervolum, cm ³	21,7	21,7
Tomgangsturtall, o/min	2800	2800
Anbefalt maks. turtall, o/min	9000	9000
Maksimum motoreffekt iht. ISO 8893, kW / o/min	0,6 / 7800	0,6 / 7800
Katalysatorlyddemper	Ja	Ja
Tenningsystem		
Tennplugg	HQT-4 672201	HQT-4 672201
Elektrodeavstand, mm	0,5	0,5
Drivstoff		
Drivstofftankens kapasitet, l	0,3	0,3
Vekt		
Vekt, kg	4,8	5,0
Støyutslipp ¹⁰		
Lydeffektnivå, målt dB (A)	100	100
Lydeffektnivå, garantert L _{WA} dB (A)	101	101
Lydnivåer ¹¹		
Ekvivalent lydtrykksnivå ved brukerens øre, målt i henhold til EN ISO 10517, dB (A)	93	93
Vibrasjonsnivåer ¹²		
Ekvivalente vibrasjonsnivåer (a _{hv,eq}) i håndtak, målt i henhold til EN ISO 10517, m/sek ² :		
Foran/bak, mm/s ²	3,5 / 4,4	4,1 / 5,2
Kniver		

¹⁰ Utslipp av støy til omgivelsene målt som lydeffekt (L_{WA}) samsvarer med EF-direktiv 2000/14/EF. Rapporterte lydeffektnivåer for produktet er målt med det originale skjærestyret som gir høyest nivå. Forskjellen mellom garantert og målt lydeffekt er at garantert lydeffekt også omfatter spredning i måleresultatet og variasjoner mellom forskjellige maskiner av samme modell i henhold til direktivet 2000/14/EF.

¹¹ Rapporterte data for lydtrykksnivå for maskinen har en typisk statistisk spredning (standardavvik) på 1 dB (A).

¹² Rapporterte data for vibrasjonsnivå har en typisk statistisk spredning (standardavvik) på 1 m/s².

Tekniske data	SUPERLITE 4528	ERGOLITE 6028
Type	Dobbeltsidig	Dobbeltsidig
Skjærelengde, mm	450	590
Skjærehastighet, kutt/min	4050	4050

EF-samsvarserklæring

EU-samsvarserklæring

Vi, **Husqvarna AB**, SE-561 82 Huskvarna, Sverige, tf.:
+46 36 146500, erklærer på eget ansvar at produktet:

Beskrivelse	Hekksaks
Merke	McCULLOCH
Type/modell	SUPERLITE 4528, ERGOLITE 6028
ID	Serienumre datert 2022 og senere

fullstendig overholder følgende EU-direktiver og
-forskrifter:

Regulering	Beskrivelse
2006/42/EC	«angående maskiner»
2014/30/EU	«om elektromagnetisk kompatibilitet»
2000/14/EC	«angående utslipp av støy til omgivelsene, tillegg V»
2011/65/EU	«om begrensning av bruk av visse farlige stoffer i elektrisk og elektronisk utstyr»

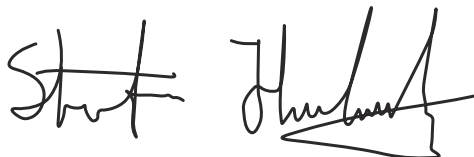
og at følgende standarder og/eller tekniske
spesifikasjoner er anvendt: EN ISO 12100:2010, EN ISO
10517:2019, EN IEC 63000:2018, EN ISO 14982:2009.

Kontrollorgan: RISE SMP Svensk Maskinprøving AB.,
Box 7035, SE-750 07 Uppsala, Sweden har utført frivillig
typeprøving på vegne av Husqvarna AB.

Sertifikatnummer: SEC/11/2327

For informasjon som gjelder støyutslipp, kan du se
Tekniske data på side 62.

Huskvarna, 2022-02-15



Stefan Holmberg, Manager Handheld Global, Lab
Manager HH Global Services, Husqvarna AB

Ansvarlig for teknisk dokumentasjon

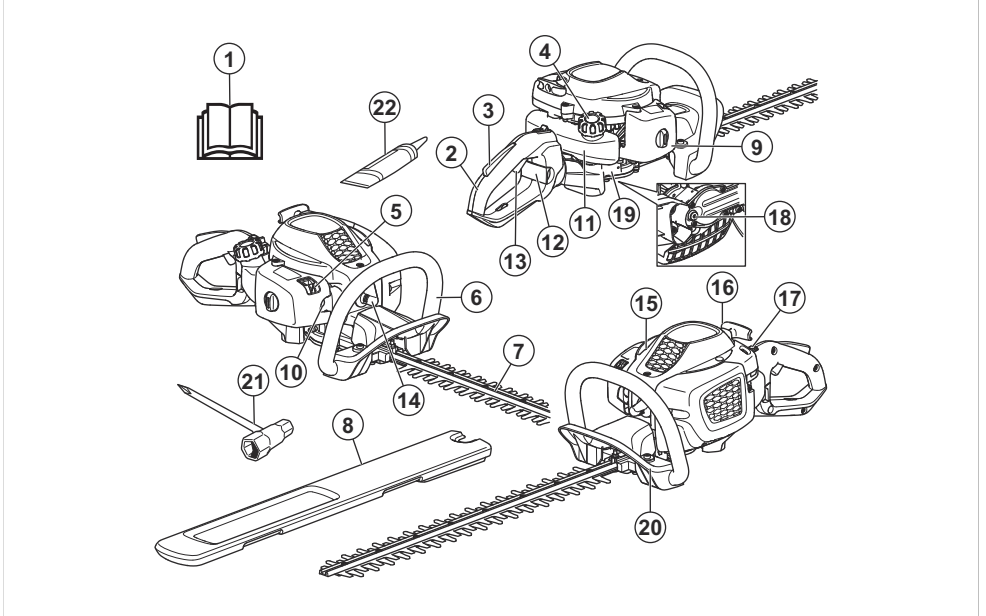


Sisällys

Johdanto.....	65	Vianmääritys.....	77
Turvallisuus.....	66	Kuljettaminen, säilyttäminen ja hävittäminen.....	78
Käyttö.....	71	Tekniset tiedot.....	78
Huolto.....	73	EY-vaatimustenmukaisuusvakuutus.....	80

Johdanto

Laitteen kuvaus



1. Käyttöohje
2. Takakahva
3. Turvaliipaisimen varmistin
4. Polttoainesäiliön korkki
5. Rikastinvipu
6. Etukahva
7. Terä ja teränsuojus
8. Kuljetussuojus
9. Ilmansuodattimen kansi
10. Polttoaineen ilmauspumppu
11. Polttoainesäiliö
12. Kahvan lukitus (ErgoLite)
13. Turvaliipaisin
14. Sytytystulpan suojus ja sytytystulppa
15. Sylinterikotelo
16. Käynnistysnarun kahva
17. Pysäytyskytkin
18. Voiteluaineen täyttökorkki
19. Vaihekotelo
20. Kädensuojus
21. Yhdistelmäavain
22. Rasvaputki

Tuotokuvaus

Laitte on polttomoottorilla toimiva pensasleikkuri.

Käyttötarkoitus

Käytä laitetta oksien ja risujen katkaisuun. Älä käytä laitetta muihin tehtäviin.

Laitteen symbolit



VAROITUS! Tämä laite voi olla vaarallinen ja aiheuttaa käyttäjälle tai sivullisille vakavia vahinkoja tai kuoleman. Ole varovainen ja käytä laitetta oikein.



Lue käyttöohje huolellisesti ja varmista, että ymmärrät sen sisällön, ennen kuin alat käyttää laitetta.



Käytä hyväksytyjä kuulonsuojaimia ja suojalaseja.



Käytä hyväksytyjä suojakäsineitä.



Käytä kestäviä luistamattomia jalkineita.



Polttoaineen ilmauspumppu.



Rikastin.



Lukko kahvan säätöön.



Polttoaine.



Melupäästöt ympäristöön eurooppalaisen direktiivin 2000/14/EY ja Uuden Etelä-Walesin lainsäädännön Protection of the Environment Operations (Noise Control) Regulation 2017 -asetuksen mukaisesti. Melupäästöt ilmoitetaan koneen arvokilvessä ja luvussa Tekniset tiedot.



Laite täyttää voimassa olevien EY-direktiivien vaatimukset.

yyyywwxxxx

Sarjanumero on tyyppikilvessä. **yyyy** on valmistusvuosi ja **ww** valmistusviikko.

Huomautus: Muita laitteen symboleita/tarroja tarvitaan joillakin markkina-alueilla ilmaisemaan sertifiointivaatimuksia.

Euro V -päästöt



VAROITUS: Moottorin muokkaaminen mitätöi tuotteen EU-tyyppihyväksynnän.

Turvallisuus

Turvallisuusmääritelmät

Varoituksia, huomioita ja huomautuksia käytetään, kun jotakin käyttöohjeen osaa halutaan erityisesti korostaa.



VAROITUS: Tätä käytetään, jos käyttöohjeen noudattamatta jättämisestä voi seurata käyttäjän tai sivullisen vamma tai kuolema.



HUOMAUTUS: Tätä käytetään, jos käyttöohjeen noudattamatta jättämisestä voi seurata koneen, muiden materiaalien tai ympäristön vaurioituminen.

Huomautus: Tätä käytetään tietyissä tilanteissa tarvittavien lisätietojen antamiseen.

Yleiset turvallisuusohjeet



VAROITUS: Lue seuraavat varoitukset ennen tuotteen käyttöä.

- Laite voi virheellisesti tai huolimattomasti käytettynä olla vaarallinen työväline, joka voi aiheuttaa vakavan tai jopa hengenvaarallisen tapaturman. On erittäin tärkeää, että luet ja ymmärrät tämän käyttöohjeen sisällön.
- Laite muodostaa käytön aikana sähkömagneettisen kentän. Kenttä saattaa joissakin olosuhteissa häiritä aktiivisten tai passiivisten lääketieteellisten implanttien toimintaa. Vakavien tai hengenvaarallisten tapaturmien ehkäisemiseksi kehoitamme lääketieteellisiä implantteja käyttäviä henkilöitä neuvottelemaan lääkärin ja lääketieteellisen implantin valmistajan kanssa ennen laitteen käyttämistä.
- Liiallinen altistuminen tärinöille saattaa aiheuttaa verisuoni- tai hermovaurioita verenkiertohäiriöistä

- kärsiville henkilöille. Hakeudu lääkäriin, jos havaitset oireita, jotka voivat liittyä liialliseen tärinöille altistumiseen. Esimerkkejä tällaisista oireista ovat puutuminen, tunnottomuus, kutina, pistely, kipu, voimattomuus tai heikkous sekä ihon värin tai pinnan muutokset. Näitä oireita esiintyy tavallisesti sormissa, käsissä tai ranteissa. Riski kasvaa alhaisissa lämpötiloissa.
- Käytetty äänenvaimennin ja kipinänsammutin voivat sisältää karsinogeenisiä pakokaasuhiukkasia. Vältä näille yhdisteille altistumista, kun käsittelet äänenvaimenninta tai kipinänsammutinta. Ennen kuin käsittelet äänenvaimenninta tai kipinänsammutinta, lue ohjeet kohdasta *Äänenvaimentimen tarkistaminen sivulla 69*.
- Jos käytön jatkaminen tuntuu epävarmalta, kysy neuvoa asiantuntijalta. Käännä jälleennyöjän tai huolto liikkeen puoleen. Älä tee mitään sellaista, mihin et katso taitosi riittävän.
- Muista, että käyttäjä on vastuussa muille ihmisille tai heidän omaisuudelleen aiheutuneista vahingoista tai niitä uhkaavista vaaroista.
- Älä koskaan anna kenenkään käyttää laitetta varmistamatta ensin, että käyttäjä on ymmärtänyt käyttöohjeen sisällön.
- Älä anna koskaan lasten käyttää laitetta tai oleskella sen läheisyydessä. Koska laitteessa on jousipalautteinen pysäytyskytkin ja se voidaan käynnistää käynnistyskahvasta alhaisella nopeudella ja voimalla, myös pienten lasten voima voi tietyissä olosuhteissa riittää laitteen käynnistämiseen. Tämä voi johtaa vakaviin henkilövahinkoihin. Irrota sen vuoksi syytystulpan suojus aina, kun laite on ilman valvontaa.
- Säilytä laite lasten ulottumattomissa.
- Älä koskaan käytä laitetta, jos olet väsynyt, nauttanut alkoholia tai lääkkeitä, jotka voivat vaikuttaa näkökykyysi, harkintakykyysi tai kehosi hallintaan.
- Älä koskaan käytä viallista laitetta. Noudata tässä käyttöohjeessa annettuja kunnossapito-, tarkastus- ja huolto-ohjeita. Tietyt kunnossapito- ja huoltotyöt on annettava koulutettujen ja pätevien asiantuntijoiden tehtäviksi. Lisätietoja on kohdassa Kunnossapito.
- Älä koskaan käytä laitetta, jota on muutettu niin, ettei sen rakenne enää ole alkuperäinen.

Turvallisuusohjeet käyttöä varten



VAROITUS: Lue seuraavat varoitushjeet ennen laitteen käyttämistä.

- Älä koskaan käytä laitetta äärimmäisissä ilmasto-olosuhteissa, kuten kovassa pakkasessa tai erittäin lämpimässä ja/tai kosteassa ilmastossa.
- Virheelliset terät voivat lisätä onnettomuuksien vaaraa.
- Huolehdi siitä, että ihmiset ja eläimet ovat työn aikana vähintään 15 metrin päässä laitteesta.

- Tarkkaile ympäristöä ja varmista, ettei terälaitte pääse osumaan ihmisiin tai eläimiin.
- Tarkista työskentelyalue. Poista kaikki esineet, jotka voivat sinkoutua ilmaan.
- Varmista, että seisot turvallisessa ja tukevassa työskentelyasennossa.
- Älä koskaan jätä konetta ilman valvontaa moottorin käytessä.
- Huolehdi, etteivät kädet ja jalat koske leikkuulaitteeseen, kun moottori on käynnissä.
- Jos teriin tarttuu jotakin työskentelyn aikana, sammuta moottori ja odota, että se pysähtyy kokonaan, ennen kuin alat puhdistaa teriä. Irrota syytystulpan suojus syytystulpasta.
- Kun moottori on pysäytetty, pidä kädet ja jalat etäällä leikkuulaitteesta, kunnes se on täysin pysähtynyt.
- Varo oksanpätkiä, joita voi sinkoutua ilmaan leikkua aikana.
- Tarkkaile aina varoitussignaaleja ja -huutoja kuulonsuojaimia käytettäessä. Riisu kuulonsuojaimet välittömästi moottorin pysäytyksen jälkeen.
- Älä koskaan työskentele tikkailla tai muulta huonosti kiinnitetyiltä korkealta paikalta.
- Pidä laitteesta aina molemmin käsin kiinni. Pidä laite edessäsi.
- Jos laite osuu johonkin esineeseen tai alkaa täristä, pysäytä laite välittömästi. Irrota syytystulpan suojus syytystulpasta. Tarkista, onko laite vaurioitunut. Korjaa mahdolliset vauriot.
- Ehkäise sähköiskuja varmistamalla, syytystulppa ja syytysjohdin ovat vahingoittumattomat.
- Tarkista, että kaikki mutterit ja ruuvit on kiristetty.
- Varmista, että vaihdelaatikko on voideltu asianmukaisesti. Katso kohta *Vaihteen voitelevminen sivulla 76*.
- Vaihdelaatikon kuumentuneen laitetta käytettäessä. Älä koske vaihdelaatikkoon, sillä se aiheuttaa palovammoja.
- Kaikkien koteloiden ja suojusten on oltava asennettuina ennen käynnistystä.
- Jos terät jäävät jumiin, ne saa löysäytyä viemällä yhdistelmäavaimen vaihdelaatikon sisään. Työnnä yhdistelmäavaimen vaihdelaatikkoon ja käännä sitä edestakaisin. Katso kohta *Vaihteen voitelevminen sivulla 76*.
- Kuljetussuojus on aina asetettava leikkuulaitteeseen, kun laitetta ei käytetä.

Henkilökohtainen suojarustus

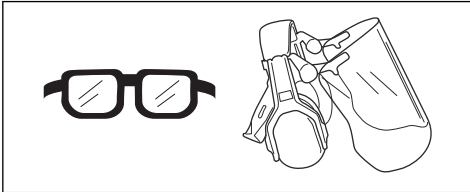


VAROITUS: Lue seuraavat varoitushjeet ennen koneen käyttämistä.

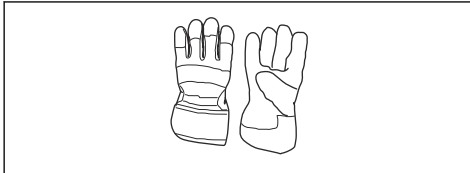
- Käytä aina hyväksytyjä henkilökohtaisia suojarusteita, kun käytät laitetta. Henkilökohtaiset suojarusteet eivät poista tapaturmien vaaraa, mutta ne lieventävät vammoja

onnettomuustilanteessa. Anna jälleenmyyjän auttaa oikeiden varusteiden valinnassa.

- Käytä riittävän tehokkaasti vaimentavia hyväksytyjä kuulonsuojaimia. Pitkäaikainen altistuminen melulle saattaa aiheuttaa pysyviä kuulovammoja.
- Käytä hyväksytyjä silmäsuojaimia. Visiiriä käytettäessä on käytettävä myös hyväksytyjä suojalaseja. Hyväksytyillä suojalaseilla tarkoitetaan lasia, jotka täyttävät standardin ANSI Z87.1 (Yhdysvallat) tai EN 166 (EU-maat) vaatimukset.



- Käytä käsiineitä tarvittaessa esimerkiksi terävarustuksen asennuksen, tarkastuksen ja puhdistuksen aikana.



- Käytä luistamattomia ja tukevia saappaita tai kenkiä.



- Käytä lujasta materiaalista valmistettuja vaatteita. Käytä aina vahvakankaisia pitkiä housuja ja pitkähihaista takkia. Vältä liian löysiä vaatteita, jotka tarttuvat helposti risuihin ja oksiin. Älä pidä koruja, shortseja tai sandaaleja. Älä myöskään kulje paljain jaloin. Sido hiukset turvallisesti olkapäiden yläpuolelle.
- Pidä ensiaputarvikkeet helposti saatavilla.



Tuotteen turvalaitteet

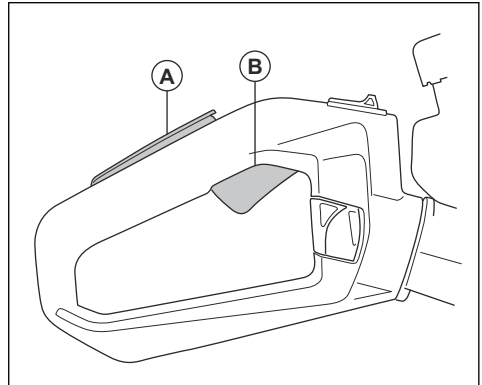


VAROITUS: Lue seuraavat varoitusohjeet ennen laitteen käyttämistä.

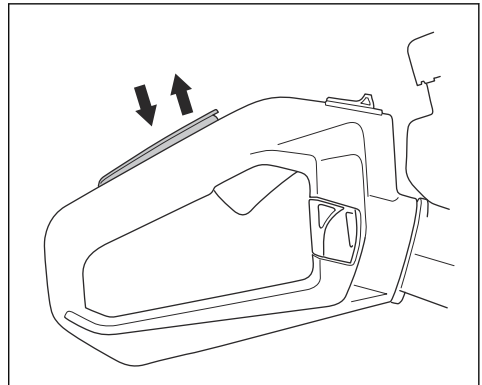
- Älä käytä laitetta, jos jokin sen turvalaitteista on rikki.
- Tarkasta turvalaitteet säännöllisesti. Jos turvalaitteissa on vikoja, ota yhteyttä McCULLOCH-huoltoiliikkeeseen.

Turvaliipaisimen varmistimen tarkistaminen

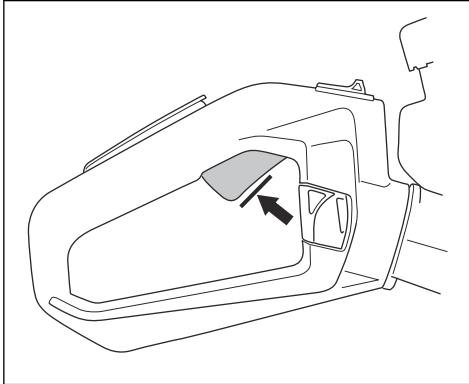
1. Tarkista, että turvaliipaisimen varmistin (A) ja turvaliipaisin (B) liikkuvat vapaasti ja että palautusjousi toimii oikein.



2. Paina turvaliipaisimen varmistin alas ja varmista, että se palautuu vapautettaessa lähtöasentoonsa.



3. Vapauta turvaliipaisimen varmistin ja varmista, että kaasuliipaisin on lukittu joutokäyntiasentoon.



4. Käynnistä moottori ja käytä täyttä kaasua.
5. Vapauta turvaliipaisin ja tarkista, että terät pysähtyvät kokonaan.



VAROITUS: Jos terät liikkuvat kaasuliipaisimen ollessa joutokäyntiasennossa, säädä joutokäyntiä. Katso *Joutokäyntinopeuden säätö sivulla 74.*

Pysäyttimen tarkistaminen

1. Käynnistä moottori.
2. Siirrä pysäytin pysäytysasentoon ja varmista, että moottori sammuu.



VAROITUS: Pysäytin palaa automaattisesti käynnistysasentoon. Estä tahaton käynnistys irrottamalla sytytystulpan suojuus sytytystulpasta asennuksen tai huollon ajaksi.

Kädensuojuksen tarkistaminen

Kädensuojus estää käsiä terien aiheuttamia vammoja.

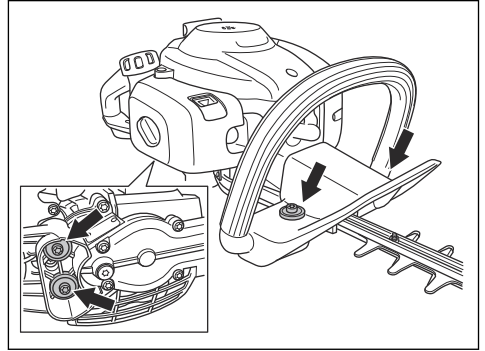
1. Pysäytä moottori.
2. Varmista, että kädensuojus on kiinnitetty oikein paikalleen.
3. Tarkista kädensuojus vaurioiden varalta.

Tärinänvaimennusjärjestelmän tarkistaminen

Tärinänvaimennusjärjestelmä vähentää kahvojen tärinää. Laitteen rungon ja kahvaston väliin on sijoitettu tärinänvaimennuselementtejä.

1. Tarkista silmämääräisesti, onko vääntymiä tai vaurioita.

2. Tarkista, että tärinänvaimentimet on kiinnitetty oikein.



Äänenvaimentimen tarkistaminen



VAROITUS: Älä käytä laitetta, jos äänenvaimennin puuttuu tai se on viallinen. Viallinen äänenvaimennin suurentaa melutasoa ja tulipalon vaaraa. Älä käytä laitetta ilman kipinänsammutusverkkoa tai rikkiinäisen kipinänsammutusverkon kanssa. Jos kipinänsammutusverkko on vioittunut, se on vaihdettava.



VAROITUS: Käytetty äänenvaimennin ja kipinänsammutin voivat sisältää karsinogeenisiä pakokaasuhiukkasia. Kun teet kunnossapitotöitä, käytä suojakäsineitä ja tee työt hyvin ilmastoidussa tilassa. Vältä ihokosketusta ja karsinogeenisten hiukkasten hengittämistä. Älä puhdistu kipinänsammutinta paineilmalla, Käytä teräsharjaa ja harjaa pois päin itsestäsi, kun puhdistat kipinänsammutinta.



VAROITUS: Äänenvaimentimet kuumentuvat huomattavasti käytön aikana ja sen jälkeen, myös joutokäyntinopeudella.



HUOMAUTUS: Jos kipinänsammutusverkko tukkeutuu usein, se voi olla merkki katalysoattorin toiminnan heikentymisestä. Ota yhteyttä huoltoiliikkeeseen äänenvaimentimen tarkistusta varten. Tukkeutunut kipinänsammutusverkko saa laitteen ylikuumenemaan, mistä seuraa sylinteri- ja mäntävaurioita.

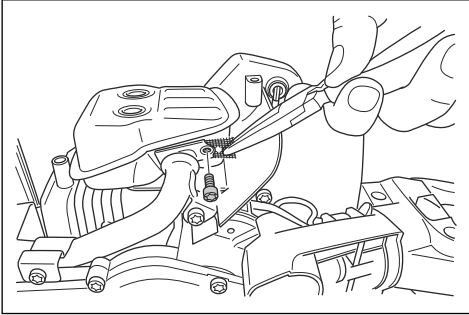


VAROITUS: Äänenvaimentimen sisäpinnat sisältävät kemikaaleja, jotka voivat aiheuttaa syöpää. Varo koskemasta

näihin osiin, jos äänenvaimennin on vaurioitunut.

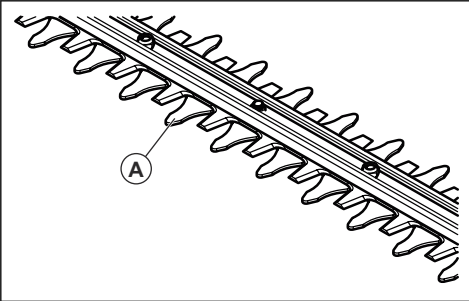
Äänenvaimennin pitää äänitason mahdollisimman alhaisena ja ohjaa moottorin pakokaasut käyttäjästä pois päin. Katalysaattorilla varustettu äänenvaimennin vähentää lisäksi pakokaasujen haitallisia aineita.

1. Pysäytä moottori.
2. Tarkista silmämääräisesti, onko vaurioita tai vääntymiä.
3. Varmista, että äänenvaimennin on kiinnitetty oikein laitteeseen.
4. Puhdista kipinäsammutusverkko teräsharjalla.



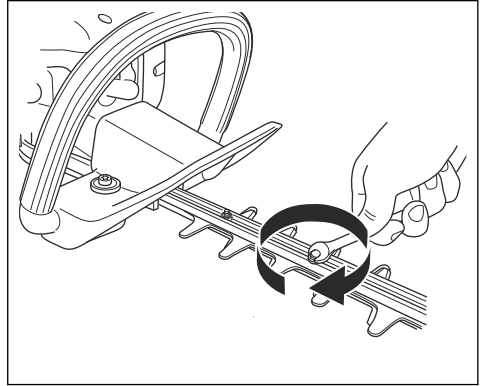
Terän ja teränsuojuksen tarkistaminen

Terien (A) ulkoreuna toimii teränsuojuksena. Teränsuojus estää käyttäjää koskettamasta vahingossa terää.



1. Sammuta moottori ja varmista, että leikkuulaite pysähtyy.
2. Irrota sytytystulpan suojus sytytystulpasta.
3. Käytä suojakäsineitä.
4. Varmista, että terä ja teränsuojus ovat ehjiä ja etteivät ne ole vaurioituneet tai vääntyneet. Vaihda aina terä, jos se on taipunut tai vaurioitunut.

5. Varmista, että leikkuulaiteen ruuvit ovat kiinni. Kiristä ruuvit arvoon 7–10 Nm.



Polttoaineturvallisuus



VAROITUS: Lue seuraavat varoitusohjeet ennen koneen käyttämistä.

- Älä käynnistä laitetta, jos sen päällä on polttoainetta tai moottoriöljyä. Poista ylimääräinen polttoaine tai öljy ja anna laitteen kuivua.
- Jos olet läikyttänyt polttoainetta vaatteillesi, vaihda vaatteet heti.
- Varo, ettei iholle pääse polttoainetta, sillä se voi aiheuttaa vamman. Jos ihollesi joutuu polttoainetta, pese se pois vedellä ja saippualla.
- Älä käynnistä laitetta, jos moottori vuotaa. Tarkista moottori säännöllisesti vuotojen varalta.
- Käsittele polttoainetta varoen. Polttoaine on syttyvää ja kaasut ovat räjähdysherkkiä, mikä voi aiheuttaa tapaturman tai kuoleman.
- Älä hengitä polttoainehöyryjä, sillä ne voivat aiheuttaa vamman. Varmista, että ilmanvirtaus on riittävä.
- Älä tupakoi polttoaineen tai moottorin lähistöllä.
- Älä sijoita lämpimiä esineitä polttoaineen tai moottorin lähelle.
- Älä lisää polttoainetta, kun moottori on käynnissä.
- Varmista ennen polttoaineen lisäämistä, että moottori on jäähtynyt.
- Ennen kuin lisää polttoainetta, avaa polttoainesäiliön korkki hitaasti ja vapautaa paine varovasti.
- Älä lisää polttoainetta moottoriin sisätilassa. Jos ilmanvirtaus ei ole riittävä, tukehtuminen tai hiilimonoksidin hengittäminen voi aiheuttaa vamman tai kuoleman.
- Kiristä polttoainesäiliön korkki tiukasti. Polttoainesäiliön korkin riittämätön kiristys aiheuttaa tulipalovaaran.

- Siirrä laite ennen käynnistystä vähintään 3 metrin päähän paikasta, jossa lisäsit polttoainetta.
- Älä täytä polttoainesäiliötä täyteen. Kuumuus saa polttoaineen laajenemaan. Jätä polttoainesäiliön päälle tyhjää tilaa.

Turvaohjeet huoltoa varten



VAROITUS: Lue seuraavat varoitusohjeet ennen laitteen käyttämistä.

- Sammuta moottori ja varmista, että terälaitte pysähtyy. Anna laitteen jäähtyä ennen kuin alat tehdä huoltoimenpiteitä.
- Irrrota sytytystulpan suojus ennen huoltoa.
- Moottorin pakokaasut sisältävät hiilimonoksidia, joka on hajuton, myrkyllinen ja erittäin vaarallinen kaasu, joka voi aiheuttaa kuoleman. Älä käytä laitetta sisällä tai suljetussa tilassa.

- Moottorin pakokaasu on kuumaa ja voi sisältää kipinöitä. Älä käytä laitetta sisätiloissa tai lähellä herkästi syttyvää materiaalia.
- Lisävarusteet ja muut kuin valmistajan hyväksymät muutokset laitteeseen voivat aiheuttaa vakavan vamman tai kuoleman. Älä tee laitteeseen muutoksia. Käytä aina alkuperäisiä lisävarusteita.
- Jos laitetta ei ole huollettu asianmukaisesti ja säännöllisesti, tapaturmien ja laitteen vaurioitumisen vaara kasvaa.
- Huolla laite ainoastaan käyttöohjekirjassa annettujen ohjeiden mukaisesti. Anna valtuutetun McCULLOCH-huoltoliikkeen tehdä kaikki muut huoltotyöt.
- Anna valtuutetun McCULLOCH-huoltoliikkeen huoltaa laite säännöllisesti.
- Vaihda vaurioituneet, kuluneet tai rikkoutuneet osat.

Käyttö

Johdanto



VAROITUS: Lue ja sisäistä turvallisuutta käsittelevä luku ennen laitteen käyttöä.

on pienempi, moottori voi alkaa nakuttaa, mikä vaurioittaa moottoria.

Polttoaine

Tässä laitteessa on kaksitahtimoottori.



HUOMAUTUS: Vääräntyyppinen polttoaine voi vaurioittaa moottoria. Käytä bensiiniä ja kaksitahtiöljyä seosta.

Kaksitahtiöljy

- Käytä McCULLOCH-kaksitahtiöljyä, sillä se takaa parhaat tulokset ja suorituskyvyn.
- Jos McCULLOCH-kaksitahtiöljyä ei ole saatavilla, voidaan käyttää jotakin muuta ilmajähdytteisille moottoreille tarkoitettua korkealaatuista kaksitahtiöljyä. Kysy huoltoliikkeestä ohjeita oikean öljyn valintaan.

Valmis polttoainesekoitus

- Käytä valmiiksi sekoitettua McCULLOCH-alkylaattibensiiniä, sillä se takaa parhaan suorituskyvyn ja pidentää moottorin käyttöikää. Tällainen polttoaine sisältää tavallista polttoainetta vähemmän haitallisia kemikaaleja, mikä vähentää haitallisia pakokaasuja. Tällaisesta polttoaineesta jää vähemmän karstaa polton jälkeen, jolloin moottorin osat pysyvät puhtaampina.



HUOMAUTUS: Älä käytä vesijähdytteisille ulkolaitamoottoreille tarkoitettua kaksitahtiöljyä. Älä käytä nelitahtimoottoreille tarkoitettua öljyä.

Polttoaineen sekoittaminen

Bensiini

- Käytä korkealaatuista lyijytöntä bensiiniä, jossa on enintään 10 % etanolia-

Bensiinin ja kaksitahtiöljyn sekoitus

Bensiini, litraa	Kaksitahtiöljy, litraa
	2 % (50:1)
5	0,10
10	0,20
15	0,30
20	0,40



HUOMAUTUS: Älä käytä bensiiniä, jonka oktaaniluku on pienempi kuin 90 RON / 87 AKI. Jos oktaaniluku



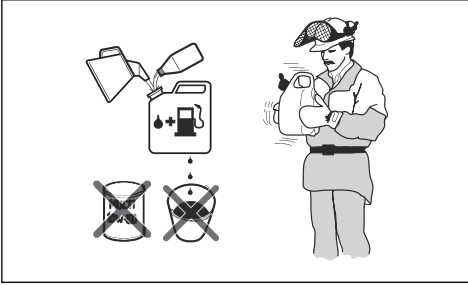
HUOMAUTUS: Kun polttoainetta sekoitetaan pieniä määriä, pienikin mittausvirhe voi vaikuttaa

sekoitussuhteeseen suuresti. Mittaa öljymäärä huolellisesti ja varmista, että seoksen suhde on oikea.

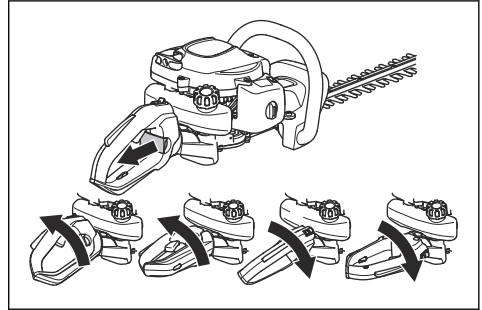
Kahvan säätäminen (ERGOLITE 6028)

Takakahvan voi säätää viiteen eri asentoon.

- Vapauta kahvan lukitus ja käännä kahvaa.

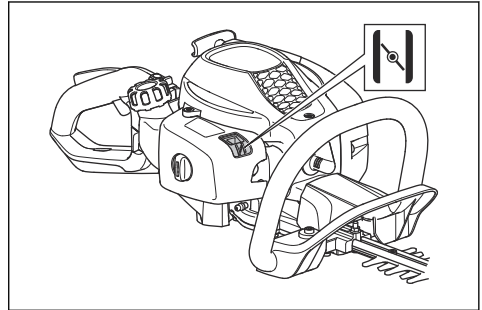


1. Lisää puhtaaseen polttoainesäiliöön puolet bensiiniin kokonaismäärästä.
2. Lisää koko öljymäärä.
3. Ravista polttoaineseosta.
4. Lisää loput bensiinistä säiliöön.
5. Ravista polttoaineseosta huolellisesti.



Laitteen käynnistäminen moottorin ollessa kylmä

1. Siirrä rikastinvipu rikastusasentoon.



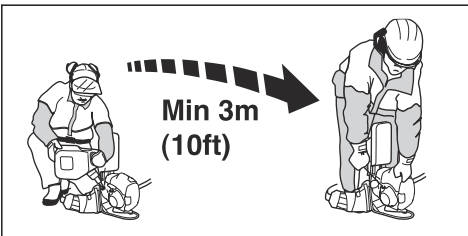
2. Paina polttoainepumppua noin 6 kertaa tai kunnes polttoainetta menee pumppuun. Polttoaineen ilmauspumppua ei tarvitse täyttää kokonaan.
3. Paina laitteen runkoa maata vasten vasemmalla kädellä. Älä astu laitteen päälle.
4. Vedä käynnistysnarun kahvaa hitaasti oikealla kädellä, kunnes tunnet vastuksen. Vedä sitten käynnistysnarun kahvaa nopeasti ja voimakkaasti.



HUOMAUTUS: Sekoita korkeintaan yhden kuukauden polttoaineet kerrallaan.

Polttoainesäiliön täyttö

1. Pyyhi polttoainesäiliön korkin ympäristö puhtaaksi.
2. Ravista kannua ja varmista, että polttoaine on sekoittunut kokonaan. Käytä ylitäyttösuojalla varustettua polttoainekannua.
3. Poista polttoainesäiliön korkki.
4. Täytä polttoainesäiliö.
5. Kiristä polttoainesäiliön korkki tiukasti.
6. Siirrä laite vähintään 3 metrin (10 jalan) päähän polttoaineen lisäämis- ja säilytyspaikalta ennen käynnistämistä.



HUOMAUTUS: Säiliöissä olevat epäpuhtaudet aiheuttavat käyntihäiriöitä. Puhdista polttoainesäiliö ja teräketjuöljysäiliö säännöllisesti ja vaihda polttoainesuodatin vähintään kerran vuodessa.



VAROITUS: Älä kiedo käynnistysnarua kätesi ympärille.



HUOMAUTUS: Älä vedä käynnistysnarua loppuun asti, äläkä päästä irti käynnistysnarun kahvasta.

5. Jatka käynnistysnarun kahvasta vetämistä, kunnes moottori sytyttää, ja paina rikastin alkuperäiseen asentoonsa.



VAROITUS: Terät liikkuvat, kun moottori käynnistyy.

6. Jatka käynnistysnarun kahvasta vetämistä, kunnes moottori käynnistyy.
7. Aseta moottori joutokäyntinopeudelle painamalla ja vapauttamalla kaasuliipaisin.
8. Lisää moottorin käyntinopeutta painamalla turvaliipaisinta vähitellen.
9. Varmista, että moottori käy tasaisesti.

Laitteen käynnistäminen moottorin ollessa kuuma

1. Paina laitteen runkoa maata vasten vasemmalla kädellä. Älä astu laitteen päälle.
2. Vedä käynnistysnarun kahvaa hitaasti oikealla kädellä, kunnes tunnet vastuksen. Vedä sitten käynnistysnarun kahvaa nopeasti ja voimakkaasti. Jatka, kunnes moottori käynnistyy.

Huomautus: Lisätietoja laitteen käynnistämisestä on kohdassa *Laitteen käynnistäminen moottorin ollessa kylmä sivulla 72.*

Laitteen pysäyttäminen

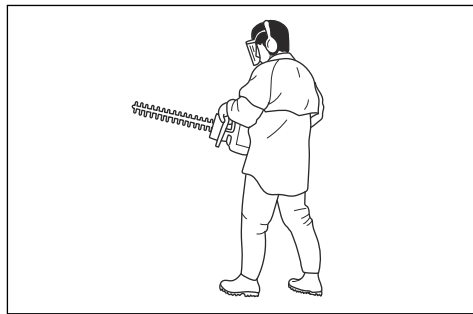
- Sammuta moottori siirtämällä pysäytyskytkin pysäytysasentoon.



HUOMAUTUS: Pysäytin palaa automaattisesti käyttöasentoon.

Laitteen käyttö

1. Käynnistä lähellä maata ja nosta laitetta aitaan pitkin leikatessasi sivuja. Pidä huolta, ettei laitteen runko kosketa aitaan.



VAROITUS: Pidä huolta, ettei terälaitteen kärki kosketa maahan.

2. Säädä nopeutta työmäärän mukaan.
3. Pidä laite mahdollisimman lähellä kehoasi, jotta voit työskennellä tasapainoisessa asennossa.
4. Ole varovainen ja käytä laitetta hitaasti.

Huolto

Johdanto



VAROITUS: Lue ja sisäistä turvallisuutta käsittelevä luku ennen laitteen huoltamista.

Huoltokaavio

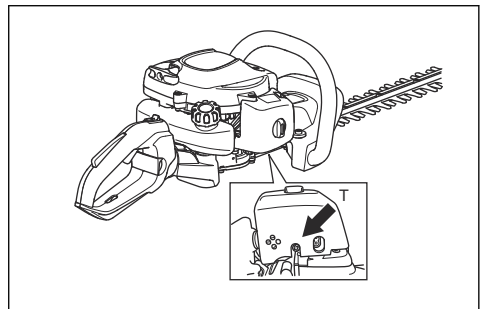
Huolto	Ennen käyttöä	40 h jälkeen	100 h jälkeen
Puhdista ulkopinta.		Jokaisen käytön jälkeen.	
Puhdista äänenvaimennin, pakoputki ja moottori lehdistä, liasta ja liiasta voiteluaineesta.		Jokaisen käytön jälkeen.	
Varmista, ettei leikkuulaite liiku joutokäyntinopeudella.	X		
Tarkista pysäytyskytkin. Katso kohta <i>Pysäytimen tarkistaminen sivulla 69.</i>	X		
Tarkista leikkuulaite vaurioiden ja halkeamien varalta. Vaihda, jos vaurioita on.	X		

Huolto	Ennen käyttöä	40 h jälkeen	100 h jälkeen
Tarkista kädensuojus vaurioiden ja halkeamien varalta. Vaihda, jos vaurioita on.	X		
Tarkista turvaliipaisimen varmistin ja turvaliipaisin. Katso kohta <i>Turvaliipaisimen varmistimen tarkistaminen sivulla 68.</i>	X		
Tarkista moottori, polttoainesäiliö ja polttoaineletku vuotojen varalta.	X		
Kiristä mutterit ja ruuvit.	X		
Puhdista tai vaihda äänenvaimentimen kipinänsammutusverkko. Katso kohta <i>Äänenvaimentimen tarkistaminen sivulla 69.</i>		X	
Tarkista käynnistin ja käynnistysnaru vaurioiden varalta.		X	
Tarkista, että terien kiinnitysruuvit on kiristetty oikein.		X	
Puhdista ilmansuodatin. Puhdista useammin, jos laitetta käytetään pölyisillä alueilla. Vaihda, jos vaurioita on.		X	
Tarkista tärinänvaimennuselementit vaurioiden ja halkeamien varalta. Vaihda, jos vaurioita on.		X	
Puhdista sytytystulpan ulkopinta ja sen ympäristö. Irrota sytytystulppa ja mittaa kärkiväli. Säädä kärkiväli tai vaihda sytytystulppa. Katso kohta <i>Sytytystulpan tarkistus sivulla 75.</i>		X	
Puhdista jäähdytysjärjestelmä.		X	
Puhdista kaasuttimen ulkopinta ja sen ympäristö.		X	
Tarkista polttoainesuodatin likaantumisen ja polttoaineletku halkeamien tai muiden vaurioiden varalta. Vaihda, jos vaurioita on.			X
Puhdista äänenvaimentimen kipinänsammutusverkko. Vaihda, jos se on vioittunut.			X
Puhdista polttoainesäiliö sisäpuolelta.			X
Vaihda sytytystulppa.			X
Tarkista kytkimen, kytkinjousen ja kytkinrummun kuluminen. Anna huoltoliikkeen vaihtaa vaurioituneet osat.			X
Varmista, että vaihde on täytetty rasvalla.			X
Tarkista kaikki kaapelit ja liitännät.			X

Joutokäyntinopeuden säätö

1. Puhdista ilmansuodatin ja asenna ilmansuodattimen kansi.
2. Käynnistä laite. Katso *Laitteen käynnistäminen moottorin ollessa kylmä sivulla 72.*

3. Kierrä T-ruuvia ensin myötäpäivään, kunnes leikkulaite alkaa liikkua.



4. Kierrä joutokäyntiruuvia vastapäivään, kunnes leikkuulaite pysähtyy.

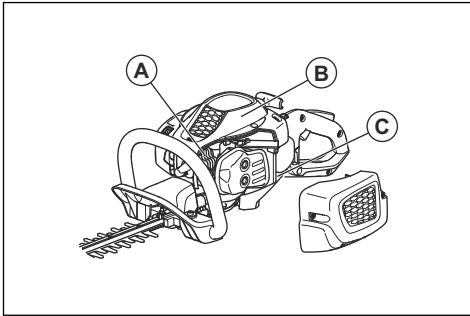


VAROITUS: Jos leikkuulaite ei pysähdy, kun säädät joutokäyntinopeutta, ota yhteyttä lähimpään huolto liikkeeseen. Älä käytä laitetta, ennen kuin se on säädetty oikein tai korjattu.

Huomautus: Joutokäyntinopeus on oikea, kun moottori käy tasaisesti kaikilla asennoilla. Katso suositeltu joutokäyntinopeus kohdasta *Tekniset tiedot sivulla 78*.

Jäähdytysjärjestelmän puhdistus

Jäähdytysjärjestelmä pitää moottorin lämpötilan alhaisena. Jäähdytysjärjestelmään kuuluvat sylinterin jäähdytysrivat (A), sylinterin kotelo (B) ja jäähdytysilma-aukko kampikammion läpi (C).



HUOMAUTUS: Lehdet tukkivat helposti polttoainesäiliön ja kampikammion välissä olevan ilmanottoaukon. Puhdista ilmanottoaukko kokonaan.

1. Puhdista jäähdytysjärjestelmä harjalla viikoittain tai tarvittaessa useammin.
2. Varmista, ettei jäähdytysjärjestelmä ole likainen tai tukossa.

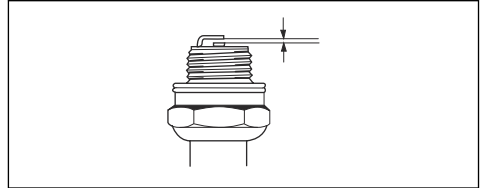
Sytytystulpan tarkistus



HUOMAUTUS: Käytä aina suositeltua sytytystulppaa. Väärä sytytystulpan tyyppi voi aiheuttaa laitteen vaurioitumisen.

- Tarkista sytytystulppa, jos moottorin teho on heikko, moottoria on vaikea saada käyntiin tai se ei toimi oikein joutokäyntinopeudella.
- Ehkäise ylimääräisen materiaalin joutuminen sytytystulpan elektrodeihin noudattamalla seuraavia ohjeita:

- a) Varmista, että joutokäyntinopeus on säädetty oikein.
 - b) Varmista, että polttoaineseos on oikea.
 - c) Varmista, että ilmansuodatin on puhdas.
- Jos sytytystulppa on karstoittunut, puhdista se ja tarkista samalla, että kärkiväli on oikea, katso *Tekniset tiedot sivulla 78*.

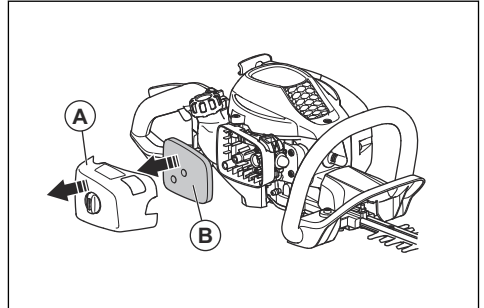


- Vaihda sytytystulppa tarvittaessa.

Ilmansuodattimen puhdistaminen

Puhdista ilmansuodatin säännöllisesti liasta ja pölystä. Tämä ehkäisee kaasuttimen toimintahäiriöitä, käynnistysongelmia, moottorin tehon menetystä, moottorin osien kulumista ja polttoaineenkulutuksen kasvua.

1. Irrota ilmansuodattimen kansi (A).



2. Irrota ilmansuodatin (B) suodattimen kehyksestä.
3. Pese ilmansuodatin lämpimällä saippuavedellä.



HUOMAUTUS: Pitkään käytössä ollut ilmansuodatinta ei voi koskaan puhdistaa täysin puhtaaksi. Vaihda ilmansuodatin säännöllisin väliajoin, ja vaihda viallinen ilmansuodatin aina uuteen.

4. Varmista, että ilmansuodatin on kuiva.
5. Levitä öljyä ilmansuodattimeen. Katso kohta *Öljyn levitys vaahtomuovisuodattimeen sivulla 76*.
6. Puhdista suodattimen kannen sisäpinta. Käytä paineilmaa tai harjaa.

Öljyn levitys vaahtomuovisuodattimeen

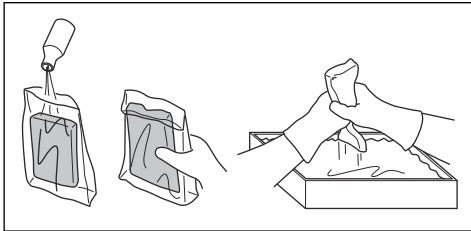


HUOMAUTUS: Käytä aina McCULLOCH-erikoisilmansuodatinöljyä. Älä käytä muita öljytyyppejä.



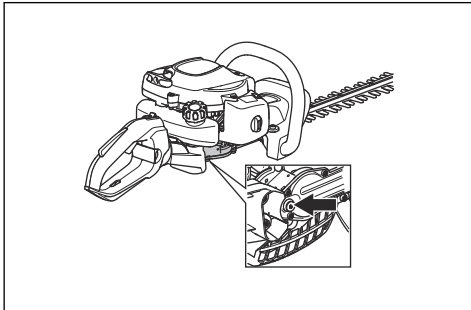
VAROITUS: Käytä suojakäsineitä. Ilmansuodatinöljy voi aiheuttaa ihoärsytystä.

1. Siirrä vaahtomuovisuodatin muovipussiin.
2. Kaada öljy muovipussiin.
3. Hiero muovipussia, jotta öljy levittyy tasaisesti koko vaahtomuovisuodattimeen.
4. Paina ylimääräinen öljy muovipussissa olevasta vaahtomuovisuodattimesta.



Vaihteen voitelemine

- Käytä McCULLOCH-erikoisrasvaa. Lisätietoja suositellusta rasvasta saat huoltoliikkeestä.
- Lisää vaseliinia vaihdekotelon voiteluaineen täyttökorkin kautta.



HUOMAUTUS: Älä täytä vaihdekoteloa kokonaan.

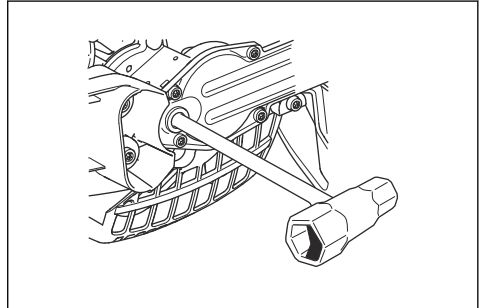
Terien puhdistaminen ja voitelemine

1. Puhdista terät ylimääräisistä materiaaleista ennen laitteen käyttöä ja käytön jälkeen.
2. Voitele terät ennen pidempiaikaista säilytystä.

Huomautus: Lisätietoja suositelluista puhdistus- ja voiteluaineista saat huoltoliikkeestä.

Terien tarkistaminen

1. Irrota vaihdekotelon voiteluaineen täyttökorkki.
2. Varmista, että terät liikkuvat vapaasti. Laita yhdistelmäavain vaihteeseen ja käännä myötä- ja vastapäivään.



3. Tutki terien särmät vaurioiden ja vääntymien varalta.
4. Viilaa terien jäysteet pois.

Vianmääritys

Vianmääritys

Moottori ei käynnisty		
Vika	Mahdollinen syy	Suosittelava vaihe
KytKentäkynnet	KytKentäkynnet eivät pääse liikkumaan vapaasti.	Säädä tai vaihda kytKentäkynnet.
		Puhdista kytKentäkynsien ympärillä oleva alue.
		Ota yhteyttä valtuutettuun huoltoliikkeeseen.
Polttoainesäiliö	Väärä polttoainetyyppi.	Tyhjennä se ja käytä oikeanlaista polttoainetta.
Kaasutin	Virheellinen joutokäyntinopeus.	Säädä joutokäyntinopeutta.
Ei kipinää	Sytytystulppa on likainen tai märkä.	Varmista, että sytytystulppa on kuiva ja puhdas.
	Virheellinen kärkiväli.	Puhdista sytytystulppa. Tarkista, että sytytystulpan kärkiväli on oikea. Varmista, että sytytystulppa on varustettu häiriösuodattimella.
		Katso oikea kärkiväli kohdasta <i>Tekniset tiedot sivulla 78</i> .
Sytytystulppa	Sytytystulppa on löysä.	Kiristä sytytystulppa.

Moottorin käynnistyy mutta sammuu uudelleen		
Vika	Mahdollinen syy	Suosittelava vaihe
Polttoainesäiliö	Väärä polttoainetyyppi.	Tyhjennä se ja käytä oikeanlaista polttoainetta.
Kaasutin	Virheellinen joutokäyntinopeus.	Säädä joutokäyntinopeutta. Katso kohta <i>Joutokäyntinopeuden säätö sivulla 74</i> . Ota tarvittaessa yhteyttä huolto- liikkeeseen.
ilmansuodatin	Ilmansuodatin tukossa.	Puhdista ilmansuodatin.

Terä		
Vika	Mahdolliset syyt	Suosittelava vaihe
Terä liikkuu hitaasti tai ei ollenkaan.	Terä on juuttunut tai vaurioitunut.	Puhdista ylimääräinen materiaali teristä. Katso kohta <i>Terien puhdistaminen ja voiteleminen sivulla 76</i> . Poista teristä jäysteet. Katso kohta <i>Terien tarkistaminen sivulla 76</i> . Vaihda terä, jos se on vaurioitunut.
Terä ei leikkaa helposti.	Terä on tylsä tai vaurioitunut.	Teroita terä. Katso kohta <i>Terien tarkistaminen sivulla 76</i> . Vaihda terä, jos se on vaurioitunut.

Terä		
Vika	Mahdolliset syyt	Suosittelava vaihe
Terä kuumenee.	Terien välillä on kitkaa.	Poista terästä jäysteet ja voitele terä. Katso <i>Terien tarkistaminen sivulla 76</i> .

Kuljettaminen, säilyttäminen ja hävittäminen

Kuljetus ja säilytys

- Anna laitteen jäähtyä aina ennen varastointia.
- Kun säilytät ja kuljetat laitetta ja polttoainetta, varmista, ettei laite vuoda polttoainetta tai polttoainehöyryä. Esimerkiksi sähkölaitteista tai lämmityskattiloista peräisin olevat kipinät tai avotuli voivat aiheuttaa tulipalon.
- Käytä polttoaineen säilytyksessä ja kuljettamisessa aina hyväksytyjä polttoainesäiliöitä.
- Tyhjennä polttoaine ennen kuljetusta tai pitkäaikaista säilytystä. Hävitä polttoaine viemällä se asianmukaiseen keräyspisteeseen.
- Kiinnitä kuljetussuojus kuljetuksen ja säilytyksen ajaksi.

- Irrota sytytystulpan suojus sytytystulpasta.
- Kiinnitä laite kuljetuksen ajaksi. Varmista, ettei se pääse liikkumaan.
- Puhdista ja huolla laite ennen pitkäaikaista säilytystä.

Hävittäminen

- Noudata paikallisia vaatimuksia ja säädöksiä.
- Hävitä kaikki kemikaalit, kuten moottoriöljy ja polttoaine, viemällä ne huoltoliikkeeseen tai asianmukaiseen keräyspisteeseen.
- Hävitä laite hyväksytyssä käsittelypaikassa tai lähetä se McCULLOCHille hävitettäväksi.

Tekniset tiedot

Tekniset tiedot

Tekniset tiedot	SUPERLITE 4528	ERGOLITE 6028
Moottori		
Sylinteritilavuus, cm ³	21,7	21,7
Joutokäyntinopeus, r/min	2 800	2 800
Suosittelu enimmäisnopeus, r/min	9 000	9 000
Standardin ISO 8893 mukainen moottorin enimmäisteho, kW/r/min	0,6/7 800	0,6/7 800
Katalyysaattoriäänenvaimennin	Kyllä	Kyllä
Sytytysjärjestelmä		
Sytytystulppa	HQT-4 672201	HQT-4 672201
Kärkiväli, mm	0,5	0,5
Polttoaine		
Polttoainesäiliön tilavuus, l	0,3	0,3
Paino		
Paino, kg	4,8	5,0

Tekniset tiedot	SUPERLITE 4528	ERGOLITE 6028
Melupäästöt ¹³		
Äänentehotaso, mitattu dB(A)	100	100
Äänentehotaso, taattu L _{WA} dB(A)	101	101
Äänitasot ¹⁴		
Ekvivalentti äänenpainetaso käyttäjän korvan tasalla mitattuna standardin EN ISO 10517 mukaan, dB(A)	93	93
Tärinätasot ¹⁵		
Kahvojen vastaavat tärinätasot (a _{h_v,eq}) mitattuna standardin EN ISO 10517 mukaan, m/s ² :		
Etu/taka, mm/s ²	3,5/4,4	4,1/5,2
Terät		
Tyyppi	Kaksipuolinen	Kaksipuolinen
Leikkuupituus, mm	450	590
Leikkuunopeus leikkuuta minuutissa	4 050	4 050

¹³ Melupäästö ympäristöön äänitehona (L_{WA}) EY-direktiivin 2000/14/EY mukaisesti mitattuna. Laitteen ilmoitettu äänentehotaso on mitattu käyttäen alkuperäistä terälaitetta, joka antaa suurimman äänentehotason. Taatun ja mitatun äänitehon erona on se, että taattu ääniteho sisältää myös mitatun tuloksen hajonnan ja vaihtelun saman mallin eri laitteiden välillä direktiivin 2000/14/EY mukaisesti.

¹⁴ Äänenpainetasoista ilmoitettujen tietojen tyypillinen tilastollinen hajonta (keskihajonta) on 1 dB(A).

¹⁵ Tärinätasolle ilmoitetuissa tiedoissa tyypillinen tilastollinen hajonta (vakiopoikkeama) on 1 m/s².

EY-vaatimustenmukaisuusvakuutus

EU-vaatimustenmukaisuusvakuutus

Husqvarna AB, SE-561 82 Huskvarna, Ruotsi, puh. +46
36 146500, vakuuttaa täten, että tuote:

Kuvaus	Pensasleikkuri
Tuotemerkki	McCULLOCH
Tyyppi/malli	SUPERLITE 4528, ERGOLITE 6028
Tunniste	Sarjanumerot vuodesta 2022 alkaen

vastaavat täysin seuraavien EU:n direktiivien ja
asetusten vaatimuksia:

Asetus	Kuvaus
2006/42/EC	konedirektiivi
2014/30/EU	EMC-direktiivi
2000/14/EC	melupäästädirektiivi, liite V
2011/65/EU	Direktiivi tiettyjen vaarallisten aineiden käytön rajoittamisesta sähkö- ja elektroniikkalaitteissa

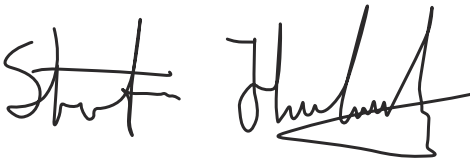
ja että asiassa sovelletaan seuraavia standardeja
ja/tai teknisiä tietoja: EN ISO 12100:2010, EN ISO
10517:2019, EN IEC 63000:2018, EN ISO 14982:2009.

Ilmoitettu tarkastuslaitos: RISE SMP Svensk
Maskinprovning AB., Box 7035, SE-750 07 Uppsala,
Sweden on suorittanut Husqvarna AB:n puolesta
vapaaehtoisen tyyppitarkastuksen.

Sertifikaatin numero: SEC/11/2327

Katso lisätietoja melupäästöistä osiosta *Tekniset tiedot*
sivulla 78.

Huskvarna, 2022-02-15



Stefan Holmberg, kannettavista tuotteista vastaava
globaali päällikkö, kehityspäällikkö HH Global Services,
Husqvarna AB

Teknisestä dokumentaatiosta vastaava edustaja

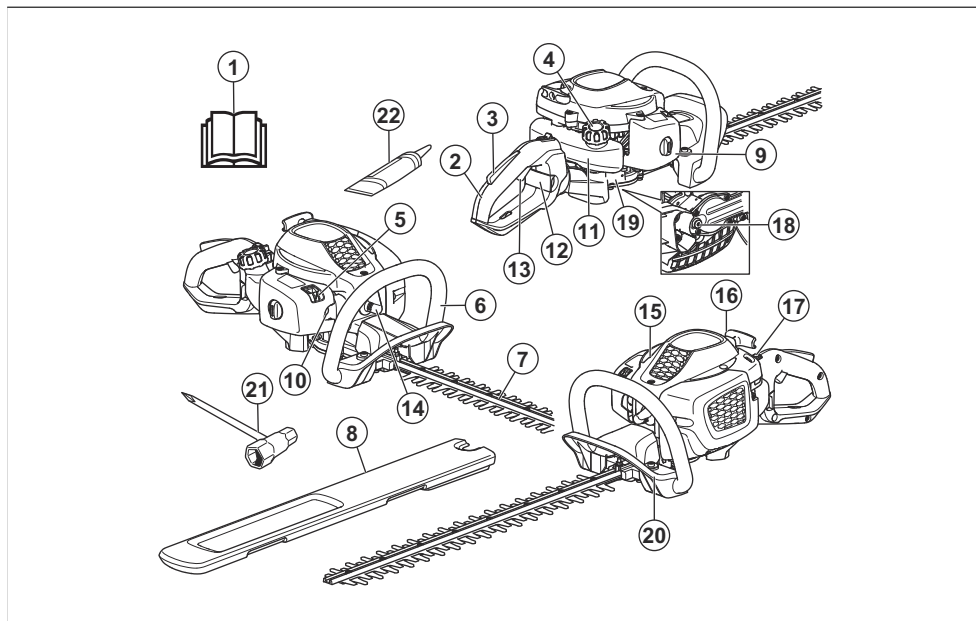


Inhalt

Einleitung.....	81	Fehlerbehebung.....	93
Sicherheit.....	82	Transport, Lagerung und Entsorgung.....	95
Betrieb.....	88	Technische Angaben.....	95
Wartung.....	90	EU-Konformitätserklärung.....	97

Einleitung

Geräteübersicht



1. Bedienungsanleitung
2. Hinterer Handgriff
3. Gashebelsperre
4. Kraftstofftankdeckel
5. Choke-Hebel
6. Vorderer Handgriff
7. Klinge und Klingenschutz
8. Transportschutz
9. Luftfilterdeckel
10. Kraftstoffpumpenblase
11. Kraftstofftank
12. Handgriffssperre (ErgoLite)
13. Gashebel
14. Zündkappe und Zündkerze
15. Zylinderdeckel
16. Startseilgriff

17. Stoppschalter
18. Einfüllöffnung für Schmiermittel
19. Getriebegehäuse
20. Handschutz
21. Kombischlüssel
22. Schmierfetttube

Gerätebeschreibung

Das Gerät ist eine Heckenschere mit einem Verbrennungsmotor.

Verwendungszweck

Verwenden Sie das Gerät zum Schneiden von Ästen und Zweigen. Verwenden Sie das Gerät nicht für andere Aufgaben.

Symbole auf dem Gerät



WARNUNG! Dieses Gerät kann gefährlich sein und schwere oder tödliche Verletzungen des Bedieners oder anderer Personen verursachen. Gehen Sie vorsichtig vor, und verwenden Sie das Gerät ordnungsgemäß.



Lesen Sie die Bedienungsanleitung sorgfältig durch, und machen Sie sich vor der Benutzung mit dem Inhalt vertraut.



Tragen Sie einen geprüften Gehör- und Augenschutz.



Tragen Sie zugelassene Schutzhandschuhe.



Tragen Sie robuste und rutschfeste Stiefel.



Kraftstoffpumpe.



Choke



Verriegelung für GriffEinstellung.



Kraftstoff.



Umweltbelastende Geräuschemissionen gemäß der entsprechenden Richtlinie der Europäischen Gemeinschaft 2000/14/EG und der australischen „Protection of the Environment Operations (Noise Control) Regulation 2017“ (Umweltschutz-/Lärmschutzbestimmung) von New South Wales. Informationen zur Geräuschemission sind auf dem Geräteschild und im Abschnitt „Technische Daten“ angegeben.



Dieses Gerät entspricht den geltenden EG-Richtlinien.

yyyywwxxxx

Auf dem Typenschild ist die Seriennummer angegeben. **JJJJ** steht für das Fertigungsjahr, **ww** für die Fertigungswoche.

Hinweis: Sonstige Symbole/Aufkleber am Gerät beziehen sich auf Zertifizierungsanforderungen, die in einigen Märkten gelten.

Emissionen nach Euro V



WARNUNG: Bei jeglichen Manipulationen des Motors erlischt die EU-Typgenehmigung für dieses Produkt.

Sicherheit

Sicherheitsdefinitionen

Warnungen, Vorsichtsmaßnahmen und Hinweise werden verwendet, um auf besonders wichtige Teile der Bedienungsanleitung hinzuweisen.



WARNUNG: Wird verwendet, wenn bei Nichtbeachtung der Anweisungen in diesem Handbuch die Gefahr von Verletzung oder Tod des Bedieners oder anderer Personen besteht.



ACHTUNG: Wird verwendet, wenn bei Nichtbeachtung der Anweisungen in diesem Handbuch die Gefahr von Schäden am

Gerät, an anderen Materialien oder in der Umgebung besteht.

Hinweis: Für weitere Informationen, die in bestimmten Situationen nötig sind.

Allgemeine Sicherheitshinweise



WARNUNG: Lesen Sie die folgenden Warnhinweise, bevor Sie das Gerät verwenden.

- Ein unsachgemäß oder nachlässig verwendetes Gerät kann gefährlich werden und schwere oder gar lebensgefährliche Verletzungen verursachen. Es ist sehr wichtig, dass Sie den Inhalt dieser

Bedienungsanleitung gelesen und verstanden haben.

- Dieses Gerät erzeugt beim Betrieb ein elektromagnetisches Feld. Dieses Feld kann sich unter bestimmten Bedingungen auf die Funktionsweise aktiver oder passiver medizinischer Implantate auswirken. Um die Gefahr von Situationen, die zu schweren oder tödlichen Verletzungen führen können, auszuschließen, sollten Personen mit einem medizinischen Implantat vor der Nutzung dieses Geräts ihren Arzt und den Hersteller des Implantats konsultieren.
- Personen mit Kreislaufstörungen, die zu oft Vibrationen ausgesetzt werden, laufen Gefahr, Schäden an den Blutgefäßen oder am Nervensystem davonzutragen. Gehen Sie zum Arzt, wenn Sie Symptome feststellen, die darauf hinweisen, dass Sie übermäßigen Vibrationen ausgesetzt waren. Beispiele solcher Symptome sind: Taubheit von Körperteilen, Gefühlsverlust, Jucken, Stechen, Schmerz, Verlust oder Beeinträchtigung der normalen Körperkraft, Veränderungen der Hautfarbe oder der Haut. Diese Symptome treten üblicherweise in Fingern, Händen und Handgelenken auf. Bei niedrigen Temperaturen kann erhöhte Gefahr bestehen.
- Ein gebrauchter Schalldämpfer und Funkenfänger können krebserregende Verbrennungspartikel enthalten. Vermeiden Sie beim Umgang mit dem Schalldämpfer oder dem Funkenfänger, dass Sie diesen Stoffen ausgesetzt sind. Lesen Sie die Anweisungen unter *So prüfen Sie den Schalldämpfer auf Seite 86*, bevor Sie mit dem Schalldämpfer oder Funkenfänger umgehen.
- Wenn Sie in eine Situation kommen, die Sie in Bezug auf die weitere Anwendung des Geräts verunsichert, lassen Sie sich von einem Experten beraten. Wenden Sie sich an Ihren Händler oder Ihre Servicewerkstatt. Führen Sie keine Arbeiten aus, mit denen Sie sich überfordert fühlen.
- Denken Sie daran, dass der Bediener für Unfälle oder Gefahrensituationen verantwortlich ist, die anderen Personen oder deren Eigentum widerfahren.
- Lassen Sie niemals jemand anderen das Gerät benutzen, ohne sich zu vergewissern, dass die Person den Inhalt der Betriebsanleitung verstanden hat.
- Erlauben Sie niemals Kindern, das Gerät zu benutzen oder sich in seiner Nähe aufzuhalten. Da das Gerät mit einem rückfedernden Stopp-Schalter ausgerüstet ist und mit geringer Geschwindigkeit und Kraft am Starthandgriff gestartet werden kann, können u. U. auch kleine Kinder die Kraft aufbringen, die zum Starten erforderlich ist. Dies kann zu schweren Verletzungen führen. Daher ist stets die Zündkappe zu entfernen, wenn das Gerät ohne Aufsicht ist.
- Bewahren Sie das Gerät für Kinder unzugänglich auf.

- Arbeiten Sie niemals mit dem Gerät, wenn Sie müde sind, Alkohol getrunken oder Medikamente eingenommen haben, da hierdurch Sehkraft, Urteilsvermögen oder Körperkontrolle beeinträchtigt werden können.
- Arbeiten Sie niemals mit einem defektem Gerät. Die Wartungs-, Kontroll- und Serviceanweisungen in dieser Bedienungsanweisung sind sorgfältig zu befolgen. Bestimmte Wartungs- und Servicemaßnahmen sind von geschulten, qualifizierten Fachleuten auszuführen. Siehe die Anweisungen unter der Überschrift „Wartung“.
- Arbeiten Sie niemals mit einem Gerät, das ohne Zustimmung des Herstellers modifiziert wurde und nicht mehr mit der Originalausführung übereinstimmt.

Sicherheitshinweise für den Betrieb

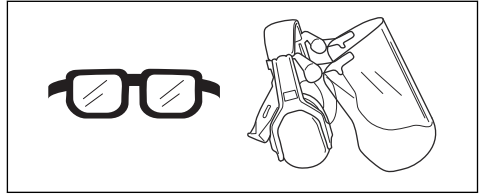


WARNUNG: Lesen Sie die folgenden Warnhinweise, bevor Sie das Gerät benutzen.

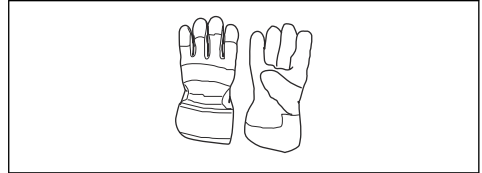
- Benutzen Sie das Gerät niemals bei extremen Klimaverhältnissen wie strenger Kälte oder sehr heißem und/oder feuchten Klima.
- Falsche Klängen können die Unfallgefahr erhöhen.
- Stellen Sie sicher, dass Menschen und Tiere während der Verwendung einen Abstand von mindestens 15 m/50 ft einhalten.
- Bei der Arbeit auf die Umgebung achten und sicherstellen, dass weder Menschen noch Tiere mit der Schneidausrüstung in Berührung kommen können.
- Kontrollieren Sie den Arbeitsbereich. Entfernen Sie Gegenstände, die weggeschleudert werden könnten.
- Sorgen Sie stets dafür, dass Sie bei der Arbeit fest und sicher stehen.
- Lassen Sie das Gerät niemals unbeaufsichtigt mit laufendem Motor stehen.
- Stellen Sie sicher, dass Hände und Füße nicht an die Schneideinheit kommen, wenn der Motor läuft.
- Sollte während der Arbeit Material zwischen den Klängen hängen bleiben, den Motor abstellen und abwarten, bis er völlig still steht, bevor die Klängen gereinigt werden. Ziehen Sie die Zündkappe von der Zündkerze ab.
- Wenn der Motor abgestellt worden ist, Hände und Füße von der Schneideinheit fernhalten, bis diese völlig still steht.
- Achten Sie auf Aststückchen, die beim Schneiden weggeschleudert werden können.
- Achten Sie immer genau auf Warnsignale oder Rufe, wenn Sie den Gehörschutz tragen. Nehmen Sie den Gehörschutz immer ab, sobald der Motor abgestellt ist.
- Arbeiten Sie niemals stehend auf einer Leiter oder einem Hocker oder in einer sonstigen, nicht ausreichend gesicherten erhöhten Position.

- Halten Sie das Gerät immer mit beiden Händen fest. Das Gerät vor dem Körper halten.
- Wenn ein Fremdkörper getroffen wird oder Vibrationen auftreten, müssen Sie das Gerät abstellen. Ziehen Sie die Zündkappe von der Zündkerze ab. Kontrollieren Sie, ob das Gerät beschädigt ist. Reparieren Sie eventuelle Schäden.
- Stellen Sie sicher, dass Zündkerzenschutz und Zündkabel unversehrt sind, um die Gefahr von elektrischen Schlägen auszuschließen.
- Prüfen Sie, ob alle Muttern und Schrauben angezogen sind.
- Sorgen Sie dafür, dass das Getriebe ausreichend geschmiert ist. Siehe *So schmieren Sie das Getriebegehäuse auf Seite 93*.
- Nach der Arbeit mit dem Gerät ist das Getriebe heiß. Berühren Sie das Getriebe nicht, um Verbrennungen zu vermeiden.
- Alle Gehäuse- und Schutzteile müssen vor dem Start montiert werden.
- Wenn die Klängen stecken bleiben, können sie gelöst werden, indem der Kombischlüssel in das Getriebe eingeführt wird. Führen Sie den Kombischlüssel in das Getriebe ein und drehen Sie ihn vor und zurück. Siehe *So schmieren Sie das Getriebegehäuse auf Seite 93*.
- Der Transportschutz ist immer an der Schneideinheit anzubringen, wenn das Gerät nicht benutzt wird.

Normen ANSI Z87.1 für die USA bzw. EN 166 für EU-Länder erfüllen.



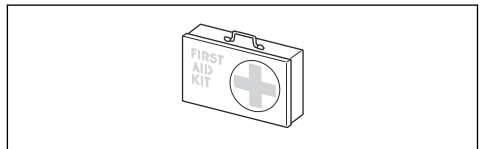
- Tragen Sie bei Bedarf Schutzhandschuhe, beispielsweise bei der Montage, der Untersuchung oder der Reinigung der Schneidausrüstung.



- Verwenden Sie rutschfeste und stabile Stiefel oder Schuhe.



- Tragen Sie Kleidung aus reißfestem Material. Tragen Sie stets eng anliegende Kleidung, lange Hosen aus schwerem Stoff und lange Ärmel. Tragen Sie keine weite Kleidung, die sich leicht an Ästen und Zweigen verfangen könnte. Vermeiden Sie das Tragen von Schmuck, kurzen Hosen und Sandalen. Gehen Sie nicht barfuß. Binden Sie Ihre Haare sicherheitshalber zusammen, sodass sie nicht über Ihre Schulter fallen.
- Halten Sie eine Erste-Hilfe-Ausrüstung und einen Feuerlöscher griffbereit.



Sicherheitsvorrichtungen am Gerät



WARNUNG: Lesen Sie die folgenden Warnhinweise, bevor Sie das Gerät benutzen.

Persönliche Schutzausrüstung



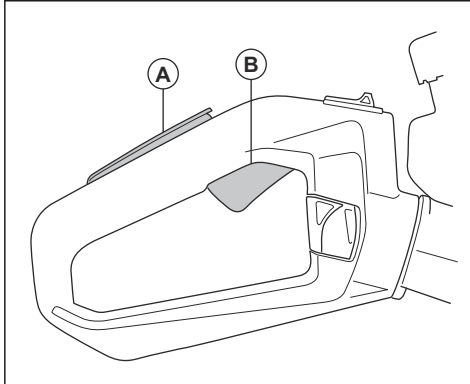
WARNUNG: Lesen Sie die folgenden Warnhinweise, bevor Sie das Gerät benutzen.

- Verwenden Sie stets die vorgeschriebene persönliche Schutzausrüstung bei der Benutzung des Geräts. Die persönliche Schutzausrüstung kann Verletzungen nicht vollständig vermeiden, vermindert aber den Umfang der Verletzungen und Schäden bei einem Unfall. Lassen Sie sich von Ihrem Händler bei der Auswahl der richtigen Ausrüstung unterstützen.
- Tragen Sie einen Gehörschutz mit ausreichender Dämmwirkung. Eine längerfristige Beschallung mit Lärm kann zu bleibenden Gehörschäden führen.
- Tragen Sie einen zugelassenen Augenschutz. Bei der Benutzung eines Visiers ist auch eine zugelassene Schutzbrille zu tragen. Zugelassene Schutzbrillen sind in diesem Falle diejenigen, die die

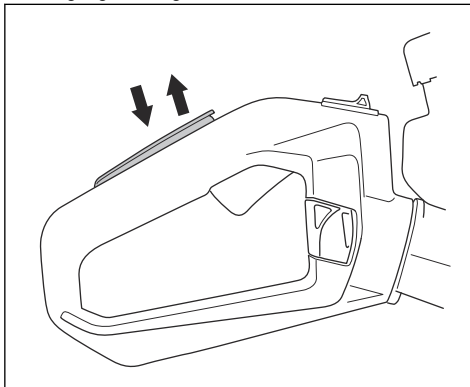
- Benutzen Sie kein Gerät mit defekten Sicherheitsvorrichtungen.
- Führen Sie regelmäßig eine Überprüfung der Sicherheitsvorrichtungen durch. Wenn die Sicherheitsvorrichtungen defekt sind, wenden Sie sich an Ihre McCULLOCH-Servicewerkstatt.

So prüfen Sie die Gashebelsperre

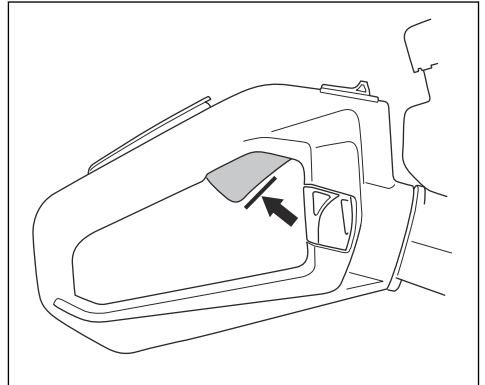
1. Prüfen Sie, ob sich die Gashebelsperre (A) und der Gashebel (B) frei bewegen lassen und ob die Rückholfeder korrekt funktioniert.



2. Drücken Sie die Gashebelsperre herunter und kontrollieren Sie, ob sie beim Loslassen in die Ausgangsstellung zurückkehrt.



3. Lösen Sie die Gashebelsperre und stellen Sie sicher, dass der Gashebel in der Leerlaufstellung verriegelt ist.



4. Starten Sie den Motor, und geben Sie Vollgas.
5. Lassen Sie den Gashebel los und prüfen Sie, ob die Klingen vollständig stoppen.



WARNUNG: Wenn sich die Klingen bewegen, während sich der Gashebel in Leerlaufstellung befindet, stellen Sie die Leerlaufdrehzahl ein. Siehe *So stellen Sie die Leerlaufdrehzahl ein auf Seite 91.*

So prüfen Sie den Stoppschalter

1. Starten Sie den Motor.
2. Drücken Sie den Stoppschalter auf die Position „Aus“, und stellen Sie sicher, dass der Motor zum Stillstand kommt.



WARNUNG: Der Stoppschalter kehrt dann automatisch wieder in die Startposition zurück. Um ein versehentliches Starten zu verhindern, entfernen Sie die Zündkappe von der Zündkerze, wenn Sie das Gerät montieren oder warten.

So prüfen Sie den Handschutz

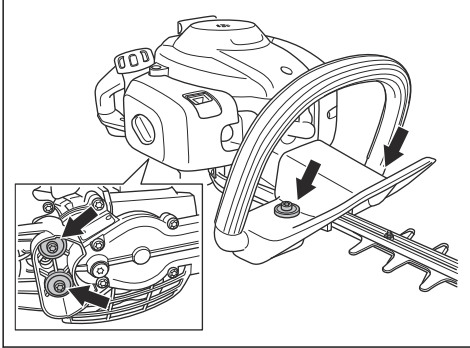
Der Handschutz verhindert, dass die Hand das sich bewegende Messer berührt.

1. Den Motor stoppen.
2. Stellen Sie sicher, dass der Handschutz richtig befestigt ist.
3. Überprüfen Sie den Handschutz auf Beschädigungen.

Antivibrationssystem überprüfen

Das Antivibrationssystem verringert Vibrationen in den Griffen. Die Antivibrationselemente funktionieren als Trennung zwischen Gerät und Griff.

1. Führen Sie eine Sichtprüfung auf Verformungen und Beschädigungen durch.
2. Stellen Sie sicher, dass die Antivibrationseinheiten korrekt angebracht sind.



So prüfen Sie den Schalldämpfer



WARNUNG: Betreiben Sie das Gerät niemals ohne oder mit defektem Schalldämpfer. Ein defekter Schalldämpfer kann den Geräuschpegel und die Brandgefahr erhöhen. Verwenden Sie das Gerät nicht ohne und nicht mit einem beschädigten Funkenfängernetz. Weist das Funkenfängernetz Schäden auf, muss es ausgewechselt werden.



WARNUNG: Ein gebrauchter Schalldämpfer und Funkenfänger können krebserregende Verbrennungspartikel enthalten. Tragen Sie Schutzhandschuhe, und führen Sie Wartungsarbeiten in einer gut belüfteten Umgebung durch, um Hautkontakt mit und Einatmen von krebserregenden Partikeln zu vermeiden. Verwenden Sie zum Reinigen des Funkenfängers keine Druckluft. Verwenden Sie eine Drahtbürste, und bürsten Sie beim Reinigen des Funkenfängers vom Körper weg.



WARNUNG: Die Schalldämpfer werden während und nach dem Betrieb – auch im Leerlauf – sehr heiß.



ACHTUNG: Wenn das Funkenfängernetz häufig verstopft ist,

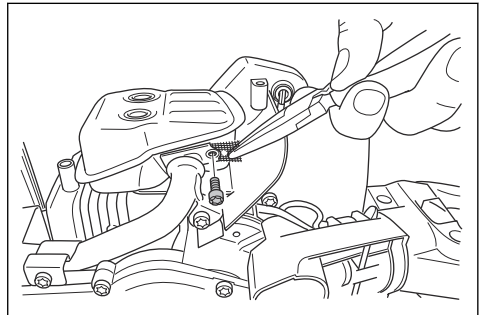
kann dies ein Zeichen dafür sein, dass der Katalysator nicht einwandfrei arbeitet. Lassen Sie den Schalldämpfer von Ihrem Servicehändler kontrollieren. Ein verstopftes Funkenfängernetz kann zu Überhitzung führen, wodurch Schäden an Zylinder und Kolben entstehen können.



WARNUNG: Die Innenflächen des Schalldämpfers enthalten Chemikalien, die Krebs verursachen können. Achten Sie darauf, dass Sie diese Teile nicht berühren, wenn der Schalldämpfer beschädigt ist.

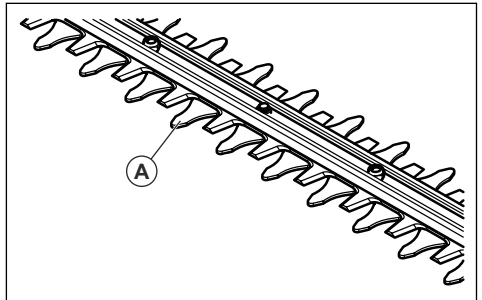
Der Schalldämpfer senkt den Geräuschpegel auf ein Mindestmaß und leitet die Abgase des Motors vom Anwender weg. Ein Schalldämpfer mit Katalysator reduziert schädliche Abgase.

1. Stellen Sie den Motor ab.
2. Führen Sie eine Sichtkontrolle auf Beschädigungen und Verformungen durch.
3. Stellen Sie sicher, dass der Schalldämpfer fest am Gerät montiert ist.
4. Reinigen Sie das Funkenfängernetz vorsichtig mit einer Drahtbürste.

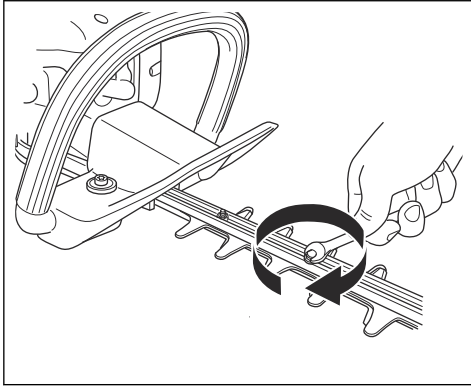


So prüfen Sie die Klingen und den Klingenschutz

Der äußere Teil der Klingen (A) dient als Klingenschutz. Der Klingenschutz verhindert, dass der Anwender mit der Klinge in Berührung kommt.



1. Stoppen Sie den Motor, und stellen Sie sicher, dass sich die Schneideinheit nicht mehr bewegt.
2. Entfernen Sie die Zündkappe von der Zündkerze.
3. Ziehen Sie Schutzhandschuhe an.
4. Stellen Sie sicher, dass die Klinge und der Klingenschutz nicht beschädigt oder verbogen sind. Wechseln Sie ein beschädigtes oder verbogenes Messer immer aus.
5. Stellen Sie sicher, dass die Schrauben an der Schneideinheit fest angezogen sind. Ziehen Sie die Schrauben mit einem Drehmoment von 7–10 Nm fest.



- Füllen Sie keinen Kraftstoff nach, während der Motor läuft.
- Vergewissern Sie sich, dass der Motor abgekühlt ist, bevor Sie Kraftstoff nachfüllen.
- Öffnen Sie vor dem Nachfüllen den Tankdeckel langsam und lassen Sie den Druck vorsichtig entweichen.
- Füllen Sie keinen Kraftstoff in den Motor, wenn Sie sich in einem Innenraum befinden. Eine mangelhafte Luftzirkulation kann zu schweren oder tödlichen Verletzungen durch Erstickung oder eine Kohlenmonoxidvergiftung führen.
- Schrauben Sie den Kraftstofftankdeckel fest zu. Wenn der Tankverschluss nicht fest zugeschraubt ist, besteht Feuergefahr.
- Bewegen Sie das Produkt vor dem Starten mindestens 3 m von der Stelle fort, an der Sie den Tank befüllt hatten.
- Füllen Sie den Kraftstofftank nicht vollständig auf. Durch Hitze dehnt sich der Kraftstoff aus. Lassen Sie deshalb einen Freiraum im oberen Bereich des Kraftstofftanks.

Sicherheitshinweise für die Wartung



WARNUNG: Lesen Sie die folgenden Warnhinweise, bevor Sie das Gerät benutzen.

Sicherer Umgang mit Kraftstoff



WARNUNG: Lesen Sie die folgenden Warnhinweise, bevor Sie das Gerät benutzen.

- Starten Sie das Gerät nicht, wenn sich Kraftstoff oder Öl darauf befindet. Entfernen Sie den unerwünschten Kraftstoff bzw. das Öl und lassen Sie das Gerät trocknen.
- Wechseln Sie sofort die Kleidung, wenn Sie Kraftstoff darauf verschütten.
- Lassen Sie keinen Kraftstoff auf Ihren Körper gelangen, denn dies kann zu Verletzungen führen. Wenn Kraftstoff auf Ihre Haut gelangt, waschen Sie diesen mit Wasser und Seife ab.
- Starten Sie das Gerät nicht, wenn der Motor undicht ist. Überprüfen Sie den Motor regelmäßig auf Undichtigkeiten.
- Gehen Sie vorsichtig mit Kraftstoff um. Kraftstoff ist feuergefährlich, und die Dämpfe sind explosiv und können zu Verletzungen oder sogar zum Tod führen.
- Atmen Sie die Kraftstoffdämpfe nicht ein, denn sie sind gesundheitsschädigend. Achten Sie auf ausreichende Belüftung.
- Rauchen Sie nicht in der Nähe des Kraftstoffs oder des Motors.
- Stellen Sie keine heißen Gegenstände in der Nähe des Kraftstoffs oder Motors ab.
- Stoppen Sie den Motor und stellen Sie sicher, dass sich die Schneidausrüstung nicht mehr bewegt. Lassen Sie das Gerät abkühlen, bevor Sie Wartungsarbeiten durchführen.
- Trennen Sie die Zündkappe vor Beginn der Wartung.
- Die Abgase des Motors enthalten Kohlenmonoxid, ein geruchloses, giftiges und sehr gefährliches Gas, das zum Tod führen kann. Betreiben Sie das Gerät nicht in geschlossenen Räumen.
- Die Abgase des Motors sind heiß und können Funken schlagen. Lassen Sie das Gerät nicht im Innenbereich oder in der Nähe von brennbaren Materialien laufen.
- Zubehöreile und Änderungen am Gerät, die vom Hersteller nicht genehmigt wurden, können zu schweren Verletzungen oder zum Tod führen. Verändern Sie das Gerät nicht. Verwenden Sie stets Originalzubehör.
- Wenn die Wartung nicht ordnungsgemäß und regelmäßig erfolgt, erhöht sich die Verletzungsgefahr und das Risiko für eine Beschädigung des Geräts.
- Führen Sie die Wartung nur gemäß dieser Betriebsanleitung durch. Lassen Sie alle anderen Wartungsarbeiten von einer autorisierten McCULLOCH Servicewerkstatt durchführen.
- Lassen Sie eine autorisierte McCULLOCH Servicewerkstatt das Gerät regelmäßig warten.
- Ersetzen Sie beschädigte, abgenutzte oder defekte Teile.

Betrieb

Einleitung



WARNUNG: Lesen Sie vor Gebrauch des Geräts das Kapitel über Sicherheit, und machen Sie sich damit vertraut.

Kraftstoff

Dieses Produkt verfügt über einen Zweitaktmotor.



ACHTUNG: Die Verwendung eines falschen Kraftstoffs kann zu einer Beschädigung des Motors führen. Verwenden Sie eine Mischung aus Benzin und Zweitaktöl.

Vorgemischter Kraftstoff

- Verwenden Sie McCULLOCH vorgemischten Alkylatkraftstoff. Dies sorgt für die beste Leistung und eine Verlängerung der Lebensdauer des Motors. Im Vergleich zu herkömmlichem Kraftstoff enthält dieser Kraftstoff weniger gesundheitsschädliche Substanzen, wodurch der Ausstoß schädlicher Abgase verringert wird. Die Menge von Rückständen nach der Verbrennung ist bei diesem Kraftstoff niedriger. Dadurch bleiben die Bauteile des Motors sauberer.

So mischen Sie Kraftstoff vor

Benzin

- Verwenden Sie hochwertiges bleifreies Benzin mit maximal 10 % Ethanol (E10).



ACHTUNG: Verwenden Sie kein Benzin mit einer geringeren Oktanzahl als 90 RON (87 AKI). Bei Einsatz von Kraftstoff mit niedrigerer Oktanzahl kann es zu einem Klopfen im Motor kommen, das Motorschäden verursacht.

Zweitaktöl

- Verwenden Sie für beste Ergebnisse und die beste Leistung McCULLOCH Zweitaktöl.
- Wenn McCULLOCH Zweitaktöl nicht verfügbar ist, verwenden Sie ein qualitativ hochwertiges Zweitaktöl für luftgekühlte Motoren. Wenden Sie sich an Ihren Kundendienst zur Auswahl der richtigen Ölsorte.



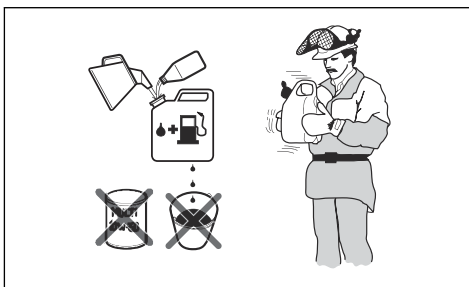
ACHTUNG: Verwenden Sie kein Zweitaktöl für wassergekühlte Außenbordmotoren (auch Outboardoil genannt). Verwenden Sie kein Öl für Viertaktmotoren.

So mischen Sie Benzin und Zweitaktöl

Benzin, Liter	Zweitaktöl, Liter
	2 % (50:1)
5	0,10
10	0,20
15	0,30
20	0,40



ACHTUNG: Beim Mischen kleiner Kraftstoffmengen wirken sich auch kleine Abweichungen bei der Ölmenge stark auf das Mischungsverhältnis aus. Um das korrekte Mischungsverhältnis sicherzustellen, muss die beizumischende Ölmenge genau abgemessen werden.



1. Füllen die Hälfte des Benzins in einen sauberen Kraftstoffbehälter.
2. Fügen Sie die gesamte Menge Öl hinzu.
3. Schütteln Sie die Kraftstoffmischung.
4. Geben Sie dann den Rest des Benzins in den Behälter dazu.
5. Schütteln Sie die Kraftstoffmischung sorgfältig.

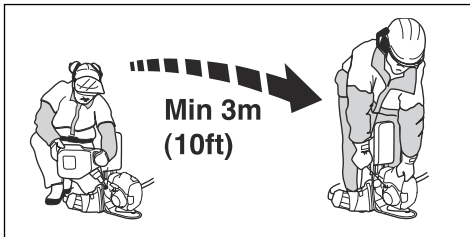


ACHTUNG: Mischen Sie Kraftstoff höchstens für einen Monat im Voraus.

So füllen Sie den Kraftstofftank

1. Säubern Sie den Bereich rund um den Tankdeckel.
2. Schütteln Sie den Behälter, und stellen Sie sicher, dass der Kraftstoff vollständig vermischt ist. Verwenden Sie einen Kraftstoffbehälter mit Überfüllungsschutz.
3. Entfernen Sie den Kraftstofftankdeckel.

4. Füllen Sie den Kraftstofftank auf.
5. Ziehen Sie den Kraftstofftankdeckel vorsichtig fest.
6. Bewegen Sie das Gerät vor dem Start mindestens 3 Meter aus dem Auftankbereich und von der Kraftstoff-Auftankquelle weg.

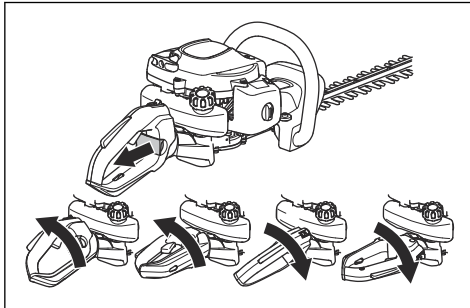


ACHTUNG: Verunreinigungen im Tank führen zu Betriebsstörungen. Reinigen Sie den Kraftstofftank und Kettenöltank regelmäßig, und ersetzen Sie den Kraftstofffilter einmal pro Jahr oder öfter.

So stellen Sie den Handgriff ein (ERGOLITE 6028)

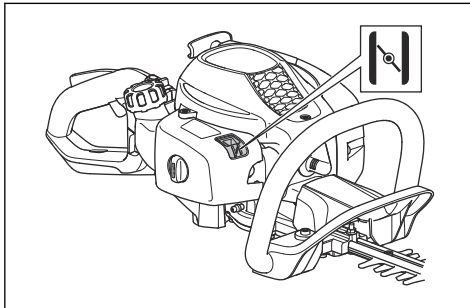
Der hintere Griff kann in 5 Positionen eingestellt werden.

- Lösen Sie die Griffsperrung, und drehen Sie den Griff.



So starten Sie das Gerät bei kaltem Motor

1. Ziehen Sie den Choke-Hebel in die Choke-Lage.



2. Drücken Sie die Kraftstoffpumpenblase ca. 6 Mal, bis sich die Pumpe mit Kraftstoff füllt. Es ist nicht erforderlich, die Kraftstoffpumpenblase vollständig zu füllen.
3. Drücken Sie den Gerätekörper mit der linken Hand gegen den Boden. Treten Sie nicht auf das Gerät.
4. Ziehen Sie den Startseilhandgriff langsam mit der rechten Hand, bis Sie einen Widerstand spüren, und ziehen Sie schnell und mit Kraft am Startseilhandgriff.



WARNUNG: Wickeln Sie das Startseil nicht um Ihre Hand.



ACHTUNG: Ziehen Sie das Startseil nicht vollständig heraus, und lassen Sie den Startseilhandgriff nicht los.

5. Ziehen Sie dann am Startseilhandgriff, bis der Motor startet, und drücken Sie anschließend den Choke-Hebel in die Ausgangsstellung zurück.



WARNUNG: Die Klingen bewegen sich, wenn der Motor startet.

6. Ziehen Sie dann am Startseilhandgriff, bis der Motor startet.
7. Drücken Sie den Gashebel, und lassen Sie ihn dann los, um den Motor im Leerlauf laufen lassen.
8. Drücken Sie den Gashebel langsam, um die Motordrehzahl zu erhöhen.
9. Stellen Sie sicher, dass der Motor einwandfrei läuft.

Gerät bei warmem Motor starten

1. Drücken Sie den Gerätekörper mit der linken Hand gegen den Boden. Treten Sie nicht auf das Gerät.
2. Ziehen Sie den Startseilhandgriff langsam mit der rechten Hand, bis Sie einen Widerstand spüren, und ziehen Sie schnell und mit Kraft am Startseilhandgriff. Fahren Sie so lange damit fort, bis der Motor startet.

Hinweis: Für weitere Informationen zum Starten des Geräts siehe *So starten Sie das Gerät bei kaltem Motor auf Seite 89*.

Gerät stoppen

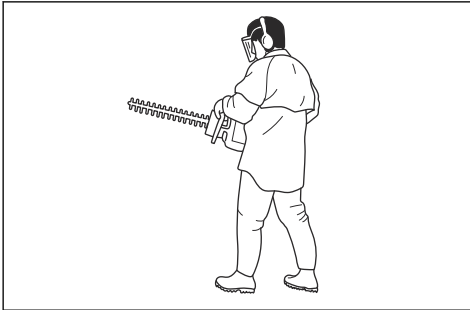
- Legen Sie den Stoppschalter in die Stopposition, um den Motor abzustellen.



ACHTUNG: Der Stoppschalter kehrt dann automatisch wieder in die Position RUN zurück.

Inbetriebnahme des Geräts

1. Beginnen Sie in Bodennähe und bewegen Sie das Gerät dann nach oben, wenn Sie die Seitenscheiden. Passen Sie auf, dass das Gerätegehäuse nicht die Hecke berührt.



WARNUNG: Passen Sie auf, dass die Vorderseite der Schneidausrüstung nicht den Boden berührt.

2. Passen Sie das Tempo je nach Arbeitsaufwand an.
3. Halten Sie das Gerät für eine stabile Arbeitsposition nahe am Körper.
4. Gehen Sie vorsichtig vor, und verwenden Sie das Gerät langsam.

Wartung

Einleitung

Sicherheit, und machen Sie sich damit vertraut.



WARNUNG: Lesen Sie vor dem Warten des Geräts das Kapitel über

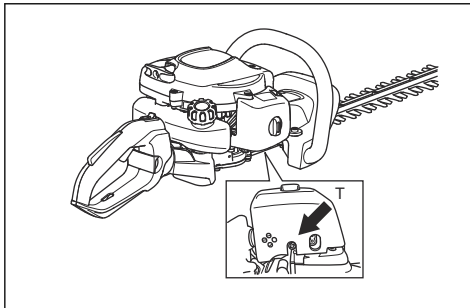
Wartungsplan

Wartung	Vor dem Betrieb	Nach 40 h	Nach 100 h
Die Außenfläche reinigen.	Nach jedem Gebrauch.		
Den Schalldämpfer, die Abgasleitung und den Motor von Laub, Schmutz und unerwünschten Schmiermitteln befreien.	Nach jedem Gebrauch.		
Sicherstellen, dass sich die Schneideinheit im Leerlauf nicht bewegt.	X		
Den Stoppschalter prüfen. Siehe <i>So prüfen Sie den Stoppschalter auf Seite 85.</i>	X		
Die Schneideinheit auf Beschädigung und Risse überprüfen. Bei Beschädigung ersetzen.	X		
Den Handschutz auf Beschädigung und Risse überprüfen. Bei Beschädigung ersetzen.	X		
Gashebelsperre und Gashebel überprüfen. Siehe <i>So prüfen Sie die Gashebelsperre auf Seite 85.</i>	X		
Den Motor, den Kraftstofftank und den Kraftstoffschlauch auf Undichtigkeiten überprüfen.	X		
Muttern und Schrauben festziehen.	X		
Das Funkenfängernetz des Schalldämpfers reinigen oder ersetzen. Siehe <i>So prüfen Sie den Schalldämpfer auf Seite 86.</i>		X	
Startvorrichtung und Startseil auf Beschädigung überprüfen.		X	

Wartung	Vor dem Betrieb	Nach 40 h	Nach 100 h
Kontrollieren, ob die Schrauben, die die Klingen zusammenhalten, korrekt angezogen sind.		X	
Den Luftfilter reinigen. Bei Verwendung in staubigen Bereichen öfters reinigen. Bei Beschädigung ersetzen.		X	
Die Antivibrationseinheiten auf Beschädigung und Risse überprüfen. Bei Beschädigung ersetzen.		X	
Die Außenseite der Zündkerze und den umliegenden Bereich reinigen. Die Zündkerze Entfernen und den Elektrodenabstand messen. Den Elektrodenabstand korrigieren oder eine andere Zündkerze verwenden. Siehe <i>So überprüfen Sie die Zündkerze auf Seite 92</i> .		X	
Das Kühlsystem reinigen.		X	
Die Außenseite des Vergasers und den umliegenden Bereich reinigen.		X	
Kraftstofffilter auf Verschmutzungen und den Kraftstoffschlauch auf Risse oder andere Beschädigungen überprüfen. Bei Beschädigung ersetzen.			X
Das Funkenfängernetz auf dem Schalldämpfer reinigen und bei Beschädigung ersetzen.			X
Kraftstofftank inwendig reinigen.			X
Die Zündkerze ersetzen.			X
Die Kupplung, die Kupplungsfeder und die Kupplungstrommel auf Verschleiß überprüfen. Bei Beschädigung von einem zugelassenen Servicehändler ersetzen lassen.			X
Sicherstellen, dass das Getriebegehäuse mit Schmierfett gefüllt ist.			X
Alle Kabel und Anschlüsse überprüfen.			X

So stellen Sie die Leerlaufdrehzahl ein

1. Reinigen Sie den Luftfilter, und montieren Sie den Luftfilterdeckel.
2. Starten Sie das Gerät. Siehe *So starten Sie das Gerät bei kaltem Motor auf Seite 89*.
3. Drehen Sie die Stellschraube T im Uhrzeigersinn, bis die Schneideinheit sich zu bewegen beginnt.



4. Drehen Sie die Stellschraube gegen den Uhrzeigersinn, bis die Schneideinheit stehen bleibt.



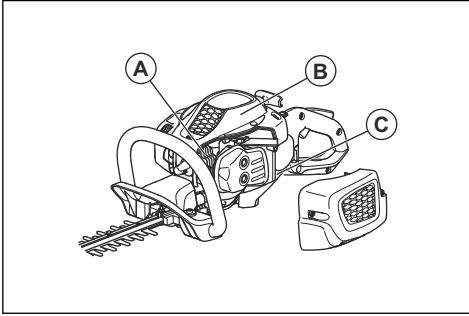
WARNUNG: Wenn Sie die Leerlaufdrehzahl anpassen und die Schneideinheit nicht anhält, wenden Sie sich an den nächsten Servicehändler. Verwenden Sie das Gerät erst wieder, wenn es richtig eingestellt ist oder repariert wurde.

Hinweis: Die Leerlaufdrehzahl ist richtig eingestellt, wenn der Motor in allen Stellungen gleichmäßig läuft. Siehe *Technische Angaben auf Seite 95* für die empfohlene Leerlaufdrehzahl.

So reinigen Sie das Kühlsystem

Das Kühlsystem hält die Motortemperatur niedrig. Das Kühlsystem umfasst die Kühlrippen am Zylinder (A),

den Zylinderdeckel (B) und den Lufteinlass durch das Kurbelgehäuse (C).



ACHTUNG: Der Lufteinlass zwischen dem Kraftstofftank und dem Kurbelgehäuse wird leicht durch Laub blockiert. Reinigen Sie den Lufteinlass vollständig.

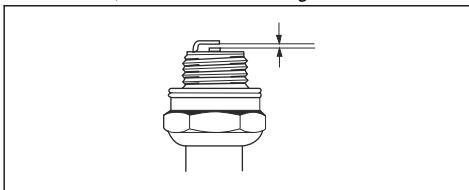
1. Reinigen Sie das Kühlsystem wöchentlich oder bei Bedarf häufiger mit einer Bürste.
2. Stellen Sie sicher, dass das Kühlsystem nicht verschmutzt oder verstopft ist.

So überprüfen Sie die Zündkerze



ACHTUNG: Verwenden Sie stets den vom Hersteller empfohlenen Zündkerzentyp! Die Verwendung eines falschen Zündkerzentyps kann zu Schäden am Gerät führen.

- Überprüfen Sie die Zündkerze, wenn der Motor nur schwache Leistung bringt, sich nur schwer starten lässt oder im Leerlauf nicht ordnungsgemäß funktioniert.
- Wenn Sie diese Anweisungen befolgen, verringern Sie die Gefahr von unerwünschtem Material an den Elektroden der Zündkerze:
 - a) Stellen Sie sicher, dass die Leerlaufdrehzahl richtig eingestellt ist.
 - b) Vergewissern Sie sich, dass das Kraftstoffgemisch korrekt ist.
 - c) Vergewissern Sie sich, dass der Luftfilter sauber ist.
- Ist die Zündkerze verschmutzt, so ist sie zu reinigen; gleichzeitig ist zu prüfen, ob der Elektrodenabstand korrekt ist, siehe *Technische Angaben auf Seite 95*.

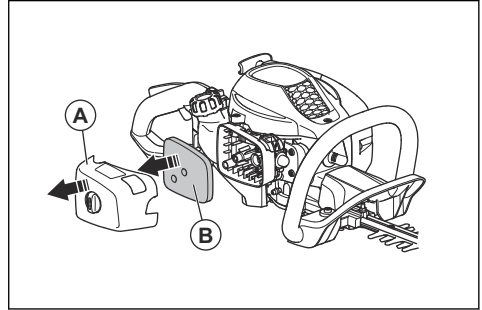


- Tauschen Sie die Zündkerze bei Bedarf aus.

So reinigen Sie den Luftfilter

Reinigen Sie den Luftfilter regelmäßig von Staub und Schmutz. Dies verhindert Fehlfunktionen des Vergasers, Probleme beim Anlassen, Leistungsverlust des Motors, Verschleiß der Motorteile und einen Kraftstoffverbrauch als gewöhnlich.

1. Entfernen Sie den Luftfilterdeckel (A).



2. Entfernen Sie den Luftfilter (B) vom Filterrahmen.
3. Reinigen Sie den Luftfilter mit warmer Seifenlauge.



ACHTUNG: Ein Luftfilter, der über lange Zeit verwendet wurde, kann nicht vollständig gereinigt werden. Wechseln Sie den Luftfilter regelmäßig aus, und ersetzen Sie stets defekte Luftfilter.

4. Vergewissern Sie sich, dass der Luftfilter trocken ist.
5. Tragen Sie Öl auf den Luftfilter auf. Siehe *So tragen Sie Öl auf den Schaumluftfilter auf auf Seite 92*.
6. Reinigen Sie die Innenseite des Luftfilterdeckels. Verwenden Sie dazu Druckluft oder eine Bürste.

So tragen Sie Öl auf den Schaumluftfilter auf



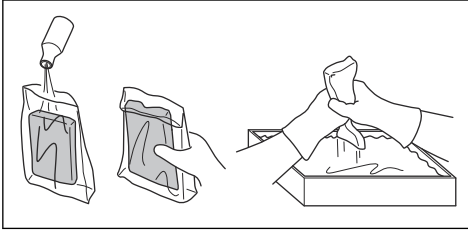
ACHTUNG: Verwenden Sie immer McCULLOCH spezielles Luftfilteröl. Verwenden Sie keine anderen Arten von Öl.



WARNUNG: Ziehen Sie Schutzhandschuhe an. Das Luftfilteröl kann Hautreizungen verursachen.

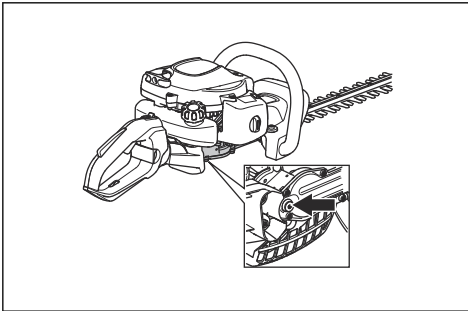
1. Stecken Sie den Schaumluftfilter in einen Plastikbeutel.
2. Schütten Sie das Öl in den Plastikbeutel.
3. Reiben Sie den Plastikbeutel, um das Öl gleichmäßig über den Schaumluftfilter zu verteilen.

4. Drücken Sie das unerwünschte Öl aus dem Schaumluftfilter, solange sich dieser im Plastikbeutel befindet.



So schmieren Sie das Getriebegehäuse

- Verwenden Sie McCULLOCH Spezialfett. Ihr Servicehändler steht Ihnen gern für weitere Informationen zu empfohlenen Schmierfetten zur Verfügung.
- Fügen Sie das Schmierfett durch die Schmiermittel-Einfüllöffnung auf dem Getriebegehäuse hinzu.



ACHTUNG: Füllen Sie das Getriebegehäuse nicht vollständig.

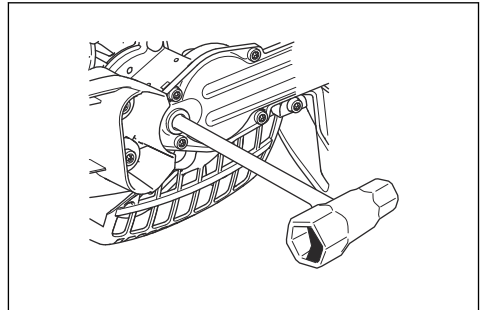
So reinigen und schmieren Sie die Klingen

1. Reinigen Sie die Klingen vor und nach dem Betrieb des Geräts von unerwünschten Materialien.
2. Schmieren Sie vor der Langzeitaufbewahrung die Klingen.

Hinweis: Ihr Servicehändler steht Ihnen gerne für weitere Informationen zu empfohlenen Reinigungsmitteln und Schmierstoffen zur Verfügung.

So überprüfen Sie die Klingen

1. Entfernen Sie die Schmiermittel-Einfüllöffnung auf dem Getriebegehäuse.
2. Stellen Sie sicher, dass sich die Klingen frei bewegen können. Setzen Sie den Kombischlüssel in das Getriebegehäuse, und drehen Sie diese im und gegen den Uhrzeigersinn.



3. Überprüfen Sie die Kanten der Klingen auf Schäden oder Verformungen.
4. Entfernen Sie mit einer Feile Grate auf den Klingen.

Fehlerbehebung

Fehlerbehebung

Der Motor springt nicht an		
Störung	Mögliche Ursache	Empfohlene Schritte
Starterklinken	Die Starterklinken sind nicht frei beweglich.	Stellen Sie die Starterklinken ein oder tauschen Sie sie aus.
		Reinigen Sie den Bereich um die Starterklinken.
		Wenden Sie sich an einen zugelassenen Servicehändler.
Kraftstofftank	Falsche Kraftstoffsorte.	Entleeren Sie den Behälter und verwenden Sie den richtigen Kraftstoff.

Der Motor springt nicht an		
Störung	Mögliche Ursache	Empfohlene Schritte
Vergaser	Falsche Leerlaufdrehzahl	Stellen Sie die Leerlaufdrehzahl ein.
Kein Funke	Die Zündkerze ist verschmutzt oder nass.	Stellen Sie sicher, dass die Zündkerze sauber und trocken ist.
	Falscher Elektrodenabstand	Reinigen Sie die Zündkerze. Stellen Sie sicher, dass der Elektrodenabstand der Zündkerze korrekt ist. Stellen Sie sicher, dass die Zündkerze über eine sog. Funkenstörung verfügt.
		Unter <i>Technische Angaben auf Seite 95</i> finden Sie den richtigen Elektrodenabstand.
Zündkerze	Die Zündkerze sitzt lose.	Zündkerze festziehen.

Der Motor startet, geht aber wieder aus.		
Störung	Mögliche Ursache	Empfohlene Schritte
Kraftstofftank	Falsche Kraftstoffsorte.	Entleeren Sie den Behälter und verwenden Sie den richtigen Kraftstoff.
Vergaser	Falsche Leerlaufdrehzahl	Stellen Sie die Leerlaufdrehzahl ein. Siehe <i>So stellen Sie die Leerlaufdrehzahl ein auf Seite 91</i> . Kontaktieren Sie, falls notwendig, Ihren zuständigen Servicehändler.
Luftfilter	Verstopfter Luftfilter.	Reinigen Sie den Luftfilter.

Klinge		
Störung	Mögliche Ursachen	Empfohlene Schritte
Die Klinge bewegt sich nur langsam oder gar nicht.	Die Klinge ist blockiert oder beschädigt.	Reinigen Sie die Klingen von unerwünschten Materialien. Siehe <i>So reinigen und schmieren Sie die Klingen auf Seite 93</i> . Entfernen Sie Grate von der Klinge, siehe <i>So überprüfen Sie die Klingen auf Seite 93</i> . Ersetzen Sie die Klinge bei Beschädigung.
Die Klinge schneidet nicht leicht.	Die Klinge ist nicht scharf oder sie ist beschädigt.	Schärfen Sie die Klinge, siehe <i>So überprüfen Sie die Klingen auf Seite 93</i> . Ersetzen Sie die Klinge bei Beschädigung.
Die Klinge wird heiß.	Es gibt Reibung zwischen den Klingen.	Entfernen Sie Grate von der Klinge und schmieren Sie die Klinge. Siehe <i>So überprüfen Sie die Klingen auf Seite 93</i> .

Transport, Lagerung und Entsorgung

Transport und Lagerung

- Lassen Sie das Gerät vor der Lagerung stets abkühlen.
 - Für die Lagerung und den Transport des Geräts und des Kraftstoffs ist darauf zu achten, dass keine Lecks oder Dämpfe vorhanden sind. Funken oder offene Flammen, zum Beispiel von elektrischen Geräten oder einem Boiler, können ein Feuer auslösen.
 - Verwenden Sie für die Lagerung und den Transport von Kraftstoff immer zugelassene Behälter.
 - Leeren Sie den Kraftstofftank vor dem Transport oder vor der Langzeitaufbewahrung. Entsorgen Sie den Kraftstoff in einer geeigneten Abfallentsorgungsstelle.
 - Bringen Sie den Transportschutz während des Transports und der Lagerung an.
- Entfernen Sie die Zündkappe von der Zündkerze.
 - Befestigen Sie das Gerät während des Transports. Sorgen Sie dafür, dass sich das Gerät während des Transports nicht bewegen kann.
 - Reinigen und warten Sie das Gerät, bevor Sie es für längere Zeit einlagern.

Entsorgung

- Befolgen Sie die örtlichen Entsorgungsvorschriften und geltenden Vorschriften.
- Entsorgen Sie alle Chemikalien, z. B. Motoröl oder Kraftstoff, in einer Servicewerkstatt oder in einer geeigneten Abfallentsorgungsstelle.
- Entsorgen Sie das Gerät an einer zugelassenen Entsorgungsstelle oder senden Sie es zur Entsorgung an McCULLOCH.

Technische Angaben

Technische Daten

Technische Daten	SUPERLITE 4528	ERGOLITE 6028
Motor		
Hubraum, cm ³	21,7	21,7
Leerlaufdrehzahl, U/min	2800	2800
Empfohlene max. Drehzahl, U/min	9000	9000
Motorhöchstleistung nach ISO 8893, kW/U/min	0,6/7800	0,6/7800
Katalysatorschalldämpfer	Ja	Ja
Zündanlage		
Zündkerze	HQT-4 672201	HQT-4 672201
Elektrodenabstand, mm	0,5	0,5
Kraftstoff		
Füllmenge Kraftstofftank, l	0,3	0,3
Gewicht		
Gewicht, kg	4,8	5,0

Technische Daten	SUPERLITE 4528	ERGOLITE 6028
Geräuschemissionen ¹⁶		
Schalleistungspegel, gemessen dB (A)	100	100
Schalleistungspegel, garantiert L _{WA} dB (A)	101	101
Schallpegel ¹⁷		
Äquivalenter Schalldruckpegel am Ohr des Bedieners, gemessen nach EN ISO 10517, dB (A)	93	93
Vibrationspegel ¹⁸		
Äquivalente Vibrationspegel (a _{hv,eq}) an den Handgriffen, gemessen nach EN ISO 10517, m/s ² :		
Vorderseite/Hinterseite, mm/s ²	3,5/4,4	4,1/5,2
Klingen		
Typ	Doppelseitig	Doppelseitig
Schnittlänge, mm	450	590
Schnittgeschwindigkeit, Schnitte/min	4050	4050

¹⁶ Umweltbelastende Geräuschemissionen, gemessen als Schalleistung (L_{WA}) gemäß EG-Richtlinie 2000/14/EG. Der aufgezeichnete Lautstärkepegel für das Gerät wurde unter Verwendung der originalen Schneidusrüstung mit dem höchsten Pegel gemessen. Der Unterschied zwischen garantiertem und gemessenem Schalleistungspegel besteht darin, dass beim garantierten Schalleistungspegel auch eine Streuung im Messergebnis und Variationen zwischen verschiedenen Geräten desselben Modells gemäß der Richtlinie 2000/14/EG berücksichtigt werden.

¹⁷ Berichten zufolge liegt der Schalldruckpegel normalerweise bei einer Ausbreitungsklasse (Standardabweichung) von 1 dB (A).

¹⁸ Berichten zufolge liegt der Vibrationspegel normalerweise bei einer Ausbreitungsklasse (Standardabweichung) von 1 m/s².

EU-Konformitätserklärung

EU-Konformitätserklärung

Die **Husqvarna AB**, SE-561 82 Huskvarna, Schweden,
Tel.: +46-36-146500, erklärt in alleiniger Verantwortung,
dass das Gerät:

Beschreibung	Heckenschere
Marke	McCULLOCH
Typ/Modell	SUPERLITE 4528, ERGOLITE 6028
Identifizierung	Seriennummern ab 2022

die folgenden EU-Richtlinien und -Verordnungen erfüllt:

Verordnungen	Beschreibung
2006/42/EG	„Maschinenrichtlinie“
2014/30/EG	„EMV-Richtlinie“
2000/14/EG	„über umweltbelastende Geräuschemissionen von zur Verwendung im Freien vorgesehenen Geräten und Maschinen, Anhang V“
2011/65/EG	„zur Beschränkung der Verwendung bestimmter gefährlicher Stoffe in Elektro- und Elektronikgeräten“

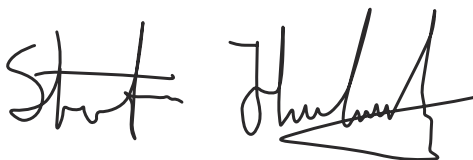
und dass die folgenden Normen und/oder technischen
Daten angewendet werden: EN ISO 12100:2010,
EN ISO 10517:2019, EN IEC 63000:2018, EN ISO
14982:2009.

Benannte Stelle: RISE SMP Svensk Maskinprovning
AB,, Box 7035, SE-750 07 Uppsala, Sweden hat im
Auftrag von Husqvarna AB eine freiwillige Typenprüfung
durchgeführt.

Zertifikatsnummer: SEC/11/2327

Informationen zu Geräuschemissionen finden Sie unter
Technische Daten auf Seite 95.

Huskvarna, 2022-02-15



Stefan Holmberg, Manager Handheld Global, Lab
Manager HH Global Services, Husqvarna AB

Verantwortlich für die technische Dokumentation

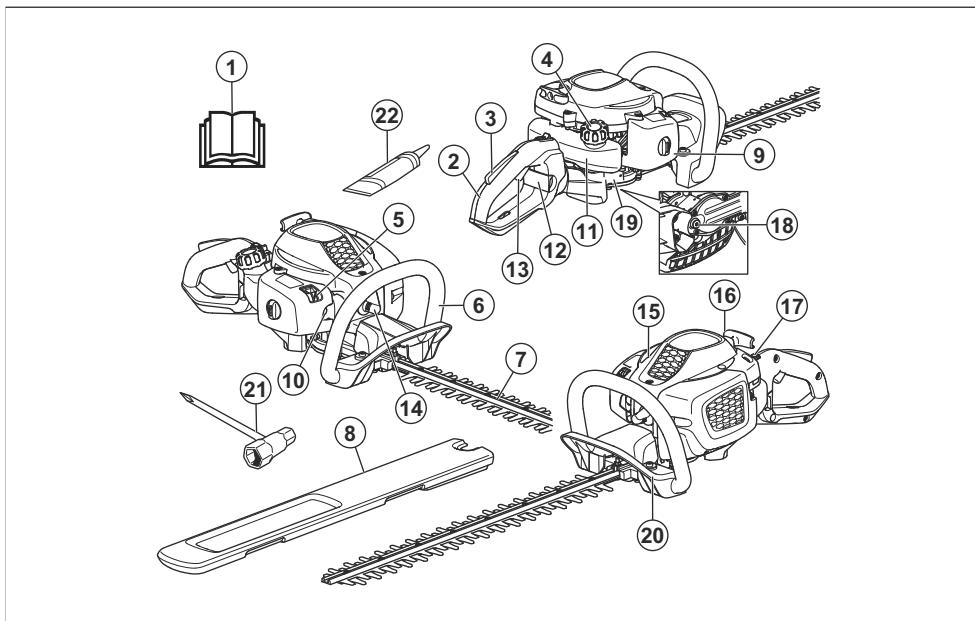


Sommaire

Introduction.....	98	Dépannage.....	111
Sécurité.....	99	Transport, entreposage et mise au rebut.....	112
Utilisation.....	105	Caractéristiques techniques.....	113
Entretien.....	107	Déclaration de conformité CE.....	115

Introduction

Aperçu du produit



- | | |
|---|--|
| 1. Manuel d'utilisation | 17. Bouton d'arrêt |
| 2. Poignée arrière | 18. Bouchon de remplissage de lubrifiant |
| 3. Blocage de la gâchette d'accélération | 19. Carter |
| 4. Bouchon du réservoir d'essence | 20. Protection de main |
| 5. Starter | 21. Clé mixte |
| 6. Poignée avant | 22. Tube de graisse |
| 7. Lame et protège-lame | |
| 8. Protection de transport | |
| 9. Couverture de filtre à air | |
| 10. Poire de la pompe à carburant | |
| 11. Réservoir de carburant | |
| 12. Verrouillage de la poignée (ErgoLite) | |
| 13. Gâchette d'accélération | |
| 14. Chapeau de bougie et bougie | |
| 15. Capot de cylindre | |
| 16. Poignée du câble du démarreur | |

Description du produit

Le produit est un taille-haie équipé d'un moteur à combustion.

Utilisation prévue

Utilisez le produit pour couper les branches et les rameaux. N'utilisez pas ce produit pour d'autres travaux.

Symboles concernant le produit



AVERTISSEMENT ! ce produit peut être dangereux et causer des blessures graves, voire mortelles, à l'opérateur ou à d'autres personnes. Soyez prudent et utilisez le produit correctement.



Lisez attentivement le manuel d'utilisation et assurez-vous de bien comprendre les instructions avant utilisation.



Utilisez des protège-oreilles et des protections pour les yeux homologués.



Utilisez des gants de protection homologués.



Utilisez des bottes antidérapantes robustes.



Poire de la pompe à carburant.



Starter.



Verrouillage pour le réglage de la poignée.



Carburant.



Émissions sonores dans l'environnement selon la directive européenne 2000/14/CE et la législation de la Nouvelle-Galles du Sud « Protection of the Environment Operations (Noise Control) Regulation 2017 ». L'étiquette de la machine et le chapitre Caractéristiques techniques contiennent des données sur les émissions sonores.



Le produit est conforme aux directives CE en vigueur.

yyyywwxxxx

La plaque signalétique indique le numéro de série. **yyyy** est l'année de production et **ww** est la semaine de production.

Remarque: Les autres symboles/autocollants présents sur le produit concernent des exigences de certification spécifiques à certains marchés.

Émissions Euro V



AVERTISSEMENT: toute altération du moteur a pour effet d'annuler l'homologation de type UE de ce produit.

Sécurité

Définitions de sécurité

Des avertissements, des recommandations et des remarques sont utilisés pour souligner des parties spécialement importantes du manuel.



AVERTISSEMENT: Symbole utilisé en cas de risque de blessures ou de mort pour l'opérateur ou les personnes à proximité si les instructions du manuel ne sont pas respectées.



REMARQUE: Symbole utilisé en cas de risque de dommages pour le produit, d'autres matériaux ou les environs si les instructions du manuel ne sont pas respectées.

Remarque: Symbole utilisé pour donner des informations supplémentaires pour une situation donnée.

Instructions générales de sécurité



AVERTISSEMENT: Lisez les instructions qui suivent avant d'utiliser le produit.

- Un produit utilisé de manière inappropriée ou imprudente peut devenir un outil dangereux, pouvant causer des blessures graves, voire mortelles. Il est donc extrêmement important de lire attentivement et de bien assimiler le contenu de ce manuel d'utilisation.

- Ce produit génère un champ électromagnétique durant son fonctionnement. Ce champ peut, dans certaines circonstances, perturber le fonctionnement d'implants médicaux actifs ou passifs. Pour réduire le risque de blessures graves ou mortelles, nous recommandons aux personnes portant des implants médicaux de consulter leur médecin et le fabricant de leur implant avant d'utiliser cet appareil.
- Une exposition excessive aux vibrations peut entraîner des troubles circulatoires ou nerveux chez les personnes sujettes à des troubles cardio-vasculaires. Consultez un médecin en cas de symptômes liés à une exposition excessive aux vibrations. Voici les symptômes possibles : engourdissement, perte de sensibilité, chatouillements, picotements, douleur, faiblesse musculaire, décoloration ou modification épidermique. Ces symptômes affectent généralement les doigts, les mains ou les poignets. Les risques augmentent à basse température.
- Un silencieux et un pare-étincelles usagés peuvent contenir des particules de combustion cancérogènes. Évitez toute exposition à ces composés lors de la manipulation du silencieux et/ou du pare-étincelles. Avant de manipuler le silencieux ou le pare-étincelles, lisez les instructions de la section *Pour contrôler le silencieux à la page 103*.
- En cas de doute concernant la marche à suivre, consultez un expert. Adressez-vous à votre revendeur ou à votre atelier d'entretien. Évitez les tâches pour lesquelles vous ne vous sentez pas suffisamment qualifié.
- N'oubliez pas que l'opérateur est responsable des accidents ou dangers impliquant des tiers et leurs biens.
- Ne laissez jamais d'autres personnes utiliser le produit sans avoir vérifié au préalable que ces personnes ont bien compris le contenu du manuel d'utilisation.
- Ne laissez jamais des enfants utiliser le produit ou s'en approcher. Le produit est équipé d'un bouton d'arrêt à détente et peut être démarré par une activation à faible vitesse et de faible puissance de la poignée du lanceur ; dans certaines circonstances, de jeunes enfants peuvent produire la force nécessaire au démarrage du produit. Ceci peut entraîner un risque de graves blessures corporelles. Retirez par conséquent le capuchon de bougie lorsque le produit n'est pas sous surveillance.
- Rangez le produit hors de portée des enfants.
- N'utilisez jamais le produit en cas de fatigue, de consommation d'alcool ou de prise de médicaments susceptibles d'affecter l'acuité visuelle, le jugement ou la maîtrise du corps.
- N'utilisez jamais un produit s'il est défectueux. Suivez les instructions de contrôle, de maintenance et d'entretien indiquées dans ce manuel. Certaines opérations de maintenance et d'entretien doivent être réalisées par un spécialiste dûment formé et

qualifié. Reportez-vous aux instructions du chapitre Entretien.

- N'utilisez jamais un produit qui a été modifié au point de ne plus être conforme aux spécifications d'origine.

Instructions de sécurité pour le fonctionnement



AVERTISSEMENT: Lisez les instructions qui suivent avant d'utiliser le produit.

- N'utilisez jamais le produit dans des conditions climatiques extrêmes telles qu'un froid intense ou un climat très chaud et/ou humide.
- Des couteaux en mauvais état augmentent le risque d'accident.
- Assurez-vous qu'aucune personne ou aucun animal ne se trouve à moins de 15 m/50 pi de votre zone de travail.
- Assurez-vous que la zone de travail est bien dégagée et qu'aucune personne et aucun animal ne risquent d'entrer en contact avec l'équipement de coupe.
- Inspecter la zone de travail. Retirer tout objet susceptible d'être projeté.
- Toujours adopter une position de travail sûre et stable.
- Ne laissez jamais le produit sans surveillance avec le moteur en marche.
- Veillez à ce que ni les mains ni les pieds ne soient en contact avec l'unité de coupe quand le moteur tourne.
- Si un objet se bloque dans les lames durant le travail, arrêter le moteur et attendre l'arrêt total du moteur avant de nettoyer les lames. Détachez le capuchon de bougie d'allumage.
- Après l'arrêt du moteur, maintenez mains et pieds à l'écart de l'unité de coupe jusqu'à l'arrêt total de celui-ci.
- Attention aux éclats de bois pouvant être projetés durant le sciage.
- Restez attentif aux signaux d'alerte ou aux appels lorsque vous portez des protecteurs d'oreille. Enlevez toujours vos protège-oreilles dès que le moteur s'arrête.
- Ne travaillez jamais debout sur une échelle, un tabouret, ou dans toute autre position élevée n'offrant pas une sécurité maximale.
- Tenez toujours la machine des deux mains. Tenez la machine devant vous.
- Arrêtez immédiatement le produit s'il vibre ou bute sur un objet. Détachez le capuchon de bougie d'allumage. Vérifiez que le produit n'a subi aucun dommage. Réparez tout éventuel dommage.

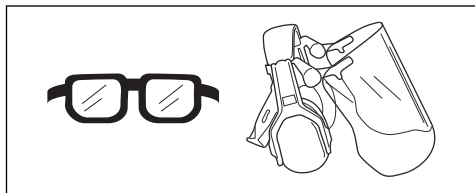
- Vérifiez que le chapeau de bougie et le câble d'allumage ne sont pas endommagés afin d'éviter tout risque de choc électrique.
- Contrôler que tous les écrous et boulons sont correctement serrés.
- Assurez-vous que la boîte de vitesses a été correctement lubrifiée. Reportez-vous à la section *Pour lubrifier le carter d'engrenage à la page 110*.
- Après l'utilisation du produit, la boîte de vitesses est chaude. Ne touchez pas la boîte de vitesses afin d'éviter les brûlures.
- Tous les carters et toutes les protections doivent être montés avant le démarrage.
- Si les lames se coincent, il est possible de les débloquer en insérant la clé mixte dans la boîte de vitesses. Insérez la clé mixte dans le carter et tournez-la dans un sens puis dans l'autre. Reportez-vous à la section *Pour lubrifier le carter d'engrenage à la page 110*.
- La protection pour le transport doit toujours être mise sur l'unité de coupe quand le produit n'est pas utilisé.

Équipement de protection individuelle

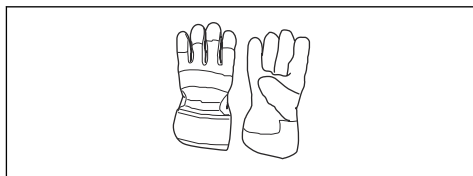


AVERTISSEMENT: Lisez les instructions qui suivent avant d'utiliser le produit.

- Portez toujours un équipement de protection individuel homologué lorsque vous utilisez le produit. L'équipement de protection individuel ne protège pas complètement des blessures, mais il diminue la gravité des blessures en cas d'accident. Faites appel à votre revendeur pour vous aider à sélectionner l'équipement adéquat.
- Portez des protège-oreilles homologués ayant un effet atténuateur suffisant. Une exposition prolongée au bruit risque de causer des lésions auditives permanentes.
- Utilisez des protections pour les yeux homologuées. L'usage d'une visière doit toujours s'accompagner du port de lunettes de protection homologuées. Par lunettes de protection homologuées, on entend celles qui sont en conformité avec les normes ANSI Z87.1 (États-Unis) ou EN 166 (pays de l'UE).



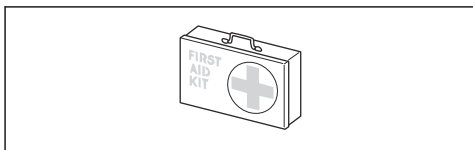
- Portez des gants de protection en cas de besoin, par exemple lorsque vous fixez, examinez ou nettoyez l'équipement de coupe.



- Utilisez des bottes ou des chaussures antidérapantes solides.



- Portez des vêtements fabriqués dans un matériau résistant. Portez toujours des pantalons longs, épais et des manches longues. Ne portez pas de vêtements amples qui risqueraient de se prendre dans les brindilles et les branches. Ne portez pas de bijoux, de shorts, de sandales et ne marchez pas pieds nus. Attachez vos cheveux de façon sécurisée au-dessus de vos épaules.
- Gardez toujours une trousse de premiers soins à portée de main.



Dispositifs de sécurité sur le produit

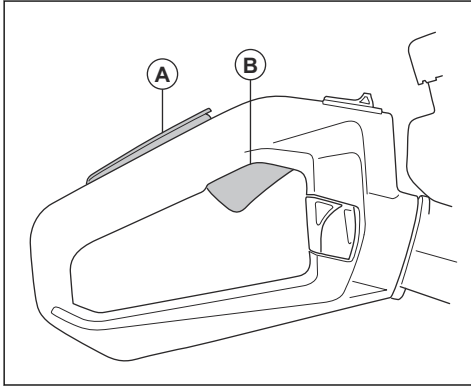


AVERTISSEMENT: Lisez les instructions qui suivent avant d'utiliser le produit.

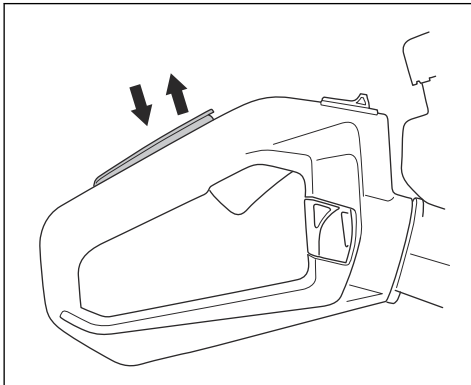
- N'utilisez pas un produit avec des dispositifs de sécurité défectueux.
- Contrôlez les dispositifs de sécurité régulièrement. Si les dispositifs de sécurité sont défectueux, parlez-en à votre agent d'entretien McCULLOCH.

Pour contrôler le blocage de la gâchette d'accélération

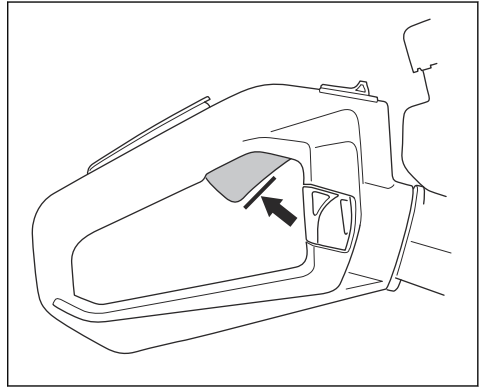
1. Assurez-vous que le blocage de la gâchette d'accélération (A) et que la gâchette d'accélération (B) se déplacent librement et que le ressort de rappel fonctionne correctement.



2. Appuyez sur le blocage de la gâchette d'accélération et assurez-vous qu'il retourne à sa position initiale lorsque vous le relâchez.



3. Relâchez le blocage de la gâchette d'accélération et assurez-vous que la gâchette d'accélération est bloquée en position de ralenti.



4. Démarrez le moteur et faites-le fonctionner à plein régime.
5. Relâchez la gâchette d'accélération et vérifiez que les lames s'arrêtent complètement.



AVERTISSEMENT: Si les lames bougent lorsque la gâchette d'accélération est en position de ralenti, réglez le régime de ralenti. Reportez-vous à la section *Pour régler le régime de ralenti à la page 108*.

Pour contrôler l'interrupteur d'arrêt

1. Démarrez le moteur.
2. Mettez l'interrupteur de marche/arrêt en position d'arrêt et vérifiez que le moteur s'arrête.



AVERTISSEMENT: Le bouton marche/arrêt revient automatiquement à la position de démarrage. Afin d'éviter tout démarrage accidentel, retirez le capuchon de la bougie d'allumage lors du montage ou de l'entretien du produit.

Pour contrôler la protection anti-rebond

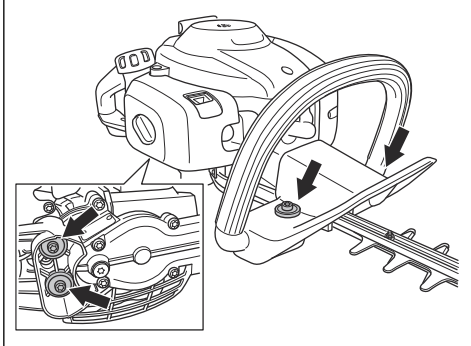
La protection anti-rebond empêche de se blesser avec les lames.

1. Arrêtez le moteur.
2. Assurez-vous que la protection de main est fixée correctement.
3. Vérifiez que la protection anti-rebond n'est pas endommagée.

Pour contrôler le système anti-vibrations

Le système anti-vibrations réduit les vibrations dans les poignées. Les dispositifs anti-vibrations agissent comme une séparation entre le corps du produit et les poignées.

1. Réalisez un contrôle visuel pour détecter les déformations et les dommages.
2. Vérifiez que les dispositifs anti-vibrations sont correctement fixés.



Pour contrôler le silencieux



AVERTISSEMENT: N'utilisez jamais un produit sans silencieux ou avec un silencieux défectueux. Un silencieux en mauvais état peut augmenter le niveau sonore et le risque d'incendie. N'utilisez jamais le produit sans écran pare-étincelles ou avec un écran pare-étincelles cassé. Il est nécessaire de remplacer l'écran pare-étincelles s'il est endommagé.



AVERTISSEMENT: Un silencieux et un pare-étincelles usagés peuvent contenir des particules de combustion cancérogènes. Utilisez des gants de protection et procédez à l'entretien dans un environnement bien ventilé afin d'éviter tout contact avec la peau et toute inhalation de particules cancérogènes. N'utilisez pas d'air comprimé pour nettoyer le pare-étincelles. Utilisez toujours une brosse métallique et dirigez les mouvements dans la direction opposée à votre corps pour nettoyer le pare-étincelles.



AVERTISSEMENT: Les silencieux deviennent très chauds pendant et après utilisation, même au régime de ralenti.



REMARQUE: Si l'écran pare-étincelles est fréquemment obstrué, cela

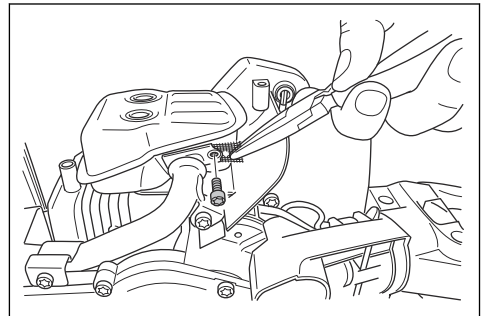
peut indiquer que les performances du pot catalytique commencent à décliner. Faites contrôler le silencieux par votre atelier d'entretien. Un écran pare-étincelles obstrué provoque une surchauffe et la détérioration du cylindre et du piston.



AVERTISSEMENT: Les surfaces internes du silencieux contiennent des produits chimiques pouvant causer un cancer. Veillez à ne pas toucher ces éléments si le silencieux est endommagé.

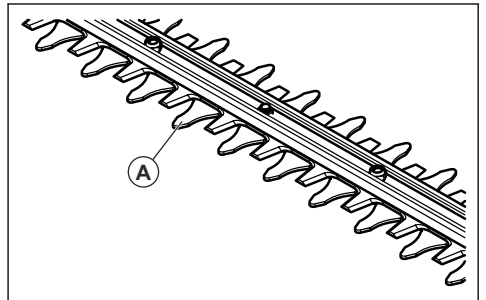
Le silencieux est conçu pour réduire au maximum le niveau sonore et rejeter les gaz d'échappement loin de l'opérateur. Un silencieux avec un convertisseur catalytique réduit la teneur en substances toxiques des gaz d'échappement.

1. arrêtez le moteur.
2. Réalisez un contrôle visuel pour détecter les dommages et les déformations.
3. Assurez-vous que le silencieux est correctement fixé à l'appareil.
4. Nettoyez l'écran pare-étincelles à l'aide d'une brosse métallique.

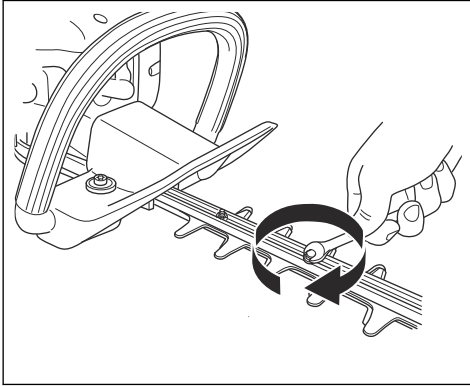


Pour contrôler les lames et les protège-lames

Les parties extérieures des lames (A) font office de protège-lames. Le protège-lame protège également l'utilisateur contre tout contact accidentel avec la lame.



1. Arrêtez le moteur et assurez-vous que l'unité de coupe s'arrête.
2. Déposez le capuchon de la bougie.
3. Mettez des gants de protection.
4. Assurez-vous que la lame et le protège-lame ne sont pas endommagés ou tordus. Remplacez toujours une lame endommagée ou tordue.
5. Assurez-vous que les vis de l'unité de coupe sont fixées. Serrez les vis à un couple de 7-10 Nm.



- Assurez-vous que le moteur est froid avant de faire le plein de carburant.
- Avant de faire le plein, ouvrez le bouchon du réservoir de carburant lentement et relâchez la pression avec précaution.
- N'ajoutez pas de carburant au moteur dans un espace intérieur. Un débit d'air insuffisant peut causer des blessures graves, voire mortelles dues à une asphyxie ou au monoxyde de carbone.
- Serrez complètement le bouchon du réservoir de carburant. Si le bouchon du réservoir de carburant n'est pas serré, il y a un risque d'incendie.
- Déplacez le produit à un minimum de 3 m/10 ft de l'endroit où a été fait le plein de carburant avant de démarrer le produit.
- Ne remplissez pas entièrement le réservoir de carburant. La chaleur entraîne la dilatation du carburant. Laissez un espace en haut du réservoir de carburant.

Consignes de sécurité pour l'entretien



AVERTISSEMENT: Lisez les instructions qui suivent avant d'utiliser le produit.

Sécurité carburant



AVERTISSEMENT: Lisez les instructions qui suivent avant d'utiliser le produit.

- Ne démarrez pas le produit si du carburant ou de l'huile moteur a été renversé(e) sur le produit. Essayez le carburant/l'huile et attendez que le produit sèche.
- Si vous avez renversé du carburant sur vos vêtements, changez de vêtements immédiatement.
- Évitez tout contact de la peau avec le carburant. Le carburant peut causer des blessures. Si votre peau entre en contact avec le carburant, lavez les parties qui ont été en contact avec de l'eau et du savon.
- Ne démarrez pas le produit s'il y a une fuite de moteur. Vérifiez régulièrement s'il y a des fuites de moteur.
- Faites attention avec le carburant. Le carburant est inflammable et ses vapeurs sont explosives. Il peut causer des blessures graves, voire mortelles.
- Ne respirez pas les vapeurs de carburant, elles peuvent causer des blessures. Assurez-vous que la ventilation est suffisante.
- Ne fumez pas à proximité du carburant ou du moteur.
- Ne mettez pas d'objets chauds à proximité du carburant ou du moteur.
- N'ajoutez pas de carburant lorsque le moteur est allumé.
- Arrêtez le moteur et assurez-vous que l'unité de coupe s'arrête. Laissez la machine refroidir avant de procéder à des tâches d'entretien.
- Débranchez le chapeau de bougie d'allumage avant d'effectuer l'entretien.
- Les gaz d'échappement du moteur contiennent du monoxyde de carbone, un gaz inodore, toxique et très dangereux pouvant entraîner la mort. Ne faites pas tourner le moteur en intérieur ou dans des espaces fermés.
- Les gaz d'échappement du moteur sont très chauds et peuvent contenir des étincelles. N'utilisez pas le produit dans un local clos ou à proximité de matériaux inflammables.
- Les accessoires et les modifications apportées au produit qui ne sont pas approuvés par le fabricant peuvent causer des blessures très graves, voire mortelles. Ne modifiez pas le produit. Utilisez uniquement des accessoires d'origine.
- Si l'entretien n'est pas effectué correctement et régulièrement, le risque de blessures et d'endommagement du produit augmente.
- Effectuez uniquement les tâches d'entretien recommandées dans le présent manuel d'utilisation. Laissez un agent d'entretien McCULLOCH approuvé se charger de toutes les autres opérations d'entretien.
- Demandez à un McCULLOCH atelier spécialisé d'effectuer régulièrement l'entretien du produit.
- Remplacez les pièces endommagées, usées ou cassées.

Utilisation

Introduction



AVERTISSEMENT: Assurez-vous de lire et de comprendre le chapitre dédié à la sécurité avant d'utiliser l'appareil.

Carburant

Ce produit est équipé d'un moteur à deux temps.



REMARQUE: L'utilisation d'un type de carburant inadéquat peut endommager le moteur. Utilisez un mélange d'essence et d'huile deux temps.

Carburant prémélangé

- Utilisez McCULLOCH un carburant alkylate prémélangé pour des performances optimales et une plus longue durée de vie du moteur. Ce carburant contient des produits chimiques moins dangereux par rapport au carburant normal, ce qui réduit la quantité de gaz d'échappement dangereux. Ce carburant génère une faible quantité de résidus, ce qui permet de garder les composants du moteur propres plus longtemps.

Pour mélanger le carburant

Essence

- Utilisez une essence sans plomb de bonne qualité avec un maximum de 10 % d'éthanol.



REMARQUE: n'utilisez pas d'essence avec un indice d'octane inférieur à 90 RON/87 AKI. L'utilisation d'une essence d'un indice d'octane inférieur peut entraîner des cognements, et donc endommager le moteur.

Huile deux temps

- Pour un résultat et un fonctionnement optimaux, utilisez de l'huile deux temps McCULLOCH.
- Si l'huile deux temps McCULLOCH n'est pas disponible, utilisez une huile deux temps de haute qualité pour moteurs refroidis à l'air. Contactez votre atelier d'entretien pour sélectionner l'huile appropriée.



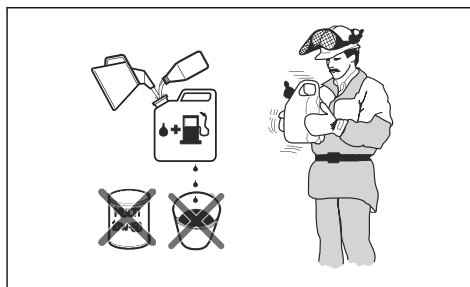
REMARQUE: N'utilisez pas d'huile deux temps pour les moteurs hors-bord refroidis par eau (huile outboard). N'utilisez pas d'huile pour moteurs à quatre temps.

Pour mélanger l'essence et l'huile deux temps

Essence, en litres	Huile deux temps, en litres
	2 % (50:1)
5	0,10
10	0,20
15	0,30
20	0,40



REMARQUE: lorsque vous mélangez de faibles quantités de carburant, de petites erreurs peuvent influencer considérablement sur le rapport de mélange. Mesurez soigneusement la quantité d'huile et assurez-vous que vous obtenez le mélange correct.



- Remplissez la moitié de la quantité d'essence dans un récipient propre et adapté pour l'essence.
- Ajoutez la quantité totale d'huile.
- Mélangez en secouant le mélange de carburant.
- Ajoutez le reste de l'essence dans le récipient.
- Mélangez avec précaution en secouant le récipient.

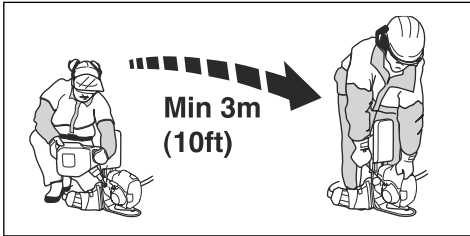


REMARQUE: Ne mélangez jamais plus d'un mois de carburant à chaque fois.

Pour remplir le réservoir de carburant

- Essuyez le pourtour du bouchon du réservoir de carburant.
- Secouez le conteneur et assurez-vous que le carburant est complètement mélangé. Utilisez un bidon de carburant comportant un dispositif d'arrêt de remplissage automatique.

3. Retirez le bouchon du réservoir de carburant.
4. Remplissez le réservoir de carburant.
5. Serrez soigneusement le bouchon du réservoir de carburant.
6. Positionnez le produit à au moins 3 m (10 pi) de la zone et de la source de remplissage avant de le mettre en marche.

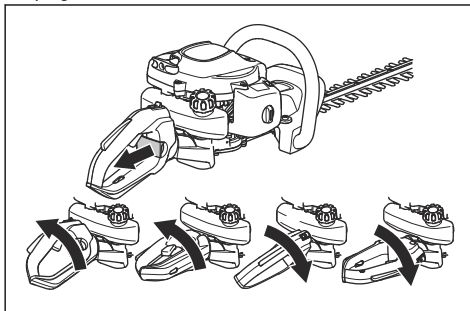


REMARQUE: Des impuretés dans les réservoirs sont causes de mauvais fonctionnement. Nettoyez le réservoir de carburant et le réservoir d'huile de chaîne régulièrement et remplacez le filtre à carburant une fois par an ou plus.

Pour régler la poignée (ERGOLITE 6028)

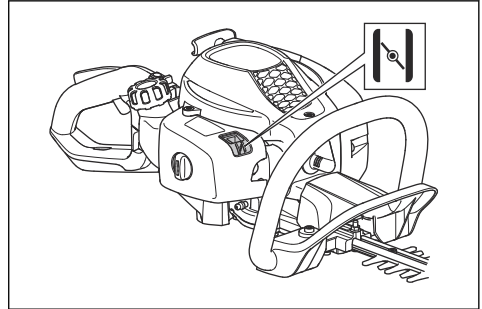
La poignée arrière peut être réglée dans 5 positions différentes.

- Relâchez le levier de verrouillage et tournez la poignée.



Démarrage du produit lorsque le moteur est froid

1. Tirez la commande de starter en position de starter.



2. Appuyez environ 6 fois sur la poire de la pompe à carburant ou jusqu'à ce qu'elle commence à se remplir de carburant. Il n'est pas nécessaire de remplir entièrement la poire de la pompe à carburant.
3. Plaquez l'appareil contre le sol à l'aide de votre main gauche. Ne marchez pas sur le produit.
4. Tirez lentement la poignée du câble du démarreur à l'aide de votre main droite jusqu'à sentir une résistance, puis tirez la poignée du câble du démarreur rapidement et avec force.



AVERTISSEMENT: N'enroulez pas le câble du démarreur autour de votre main.



REMARQUE: Ne tirez pas complètement sur le câble du démarreur et ne lâchez pas la poignée du câble du démarreur.

5. Continuez à tirer sur la poignée du câble du démarreur jusqu'à ce que le moteur démarre, puis remettez la commande de starter en position initiale.



AVERTISSEMENT: Les lames bougent dès que le moteur démarre.

6. Continuez à tirer sur la poignée du câble du démarreur jusqu'à ce que le moteur démarre.
7. Appuyez sur la gâchette d'accélérateur puis relâchez-la pour régler le moteur au régime de ralenti.
8. Appuyez sur la gâchette d'accélérateur pour augmenter progressivement la vitesse du moteur.
9. Assurez-vous que le moteur tourne sans à-coups.

Démarrage du produit lorsque le moteur est chaud

1. Plaquez l'appareil contre le sol à l'aide de votre main gauche. Ne marchez pas sur le produit.
2. Tirez lentement la poignée du câble du démarreur à l'aide de votre main droite jusqu'à sentir une résistance, puis tirez la poignée du câble du démarreur rapidement et avec force. Continuez l'opération jusqu'à ce que le moteur démarre.

Remarque: Pour plus d'informations sur le démarrage du produit, reportez-vous à *Démarrage du produit lorsque le moteur est froid à la page 106*.

Pour arrêter le produit

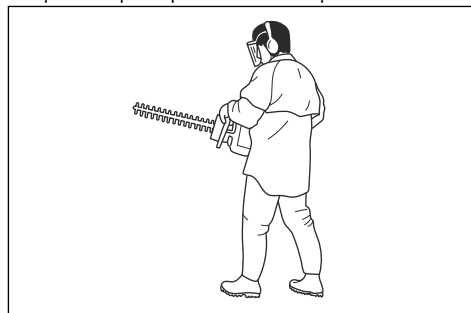
- Pour arrêter le moteur, passez l'interrupteur d'arrêt en position d'arrêt.



REMARQUE: Le bouton d'arrêt revient automatiquement en position de marche.

Pour utiliser le produit

1. Démarrez à proximité du sol et déplacez le produit le long de la haie lorsque vous taillez. Assurez-vous que le corps du produit ne touche pas la haie.



AVERTISSEMENT: Assurez-vous que l'avant de l'équipement de coupe ne touche pas le sol.

2. Réglez la vitesse afin qu'elle corresponde à la charge de travail.
3. Tenez le produit près de votre corps pour une position de travail stable.
4. Soyez prudent et utilisez le produit lentement.

Entretien

Introduction

sécurité avant de procéder à l'entretien du produit.



AVERTISSEMENT: assurez-vous de lire et de comprendre le chapitre sur la

Calendrier d'entretien

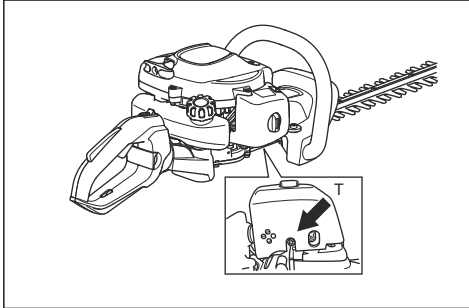
Entretien	Avant utilisation	Après 40 h	Après 100 h
Nettoyez la surface externe.		Après chaque utilisation.	
Nettoyez le silencieux, le tuyau d'échappement et le moteur en retirant les feuilles, la saleté et le lubrifiant indésirable.		Après chaque utilisation.	
Assurez-vous que l'unité de coupe ne bouge pas lorsque le moteur tourne au ralenti.	X		
Contrôlez l'interrupteur d'arrêt. Reportez-vous à la section <i>Pour contrôler l'interrupteur d'arrêt à la page 102</i> .	X		
Examinez l'unité de coupe à la recherche de dommages ou de fissures. Remplacez-la si elle est endommagée.	X		
Vérifiez que la protection anti-rebond est exempte de dommages ou de fissures. Remplacez-la si elle est endommagée.	X		

Entretien	Avant utilisation	Après 40 h	Après 100 h
Contrôlez le blocage de la gâchette d'accélération et la gâchette d'accélération. Reportez-vous à la section <i>Pour contrôler le blocage de la gâchette d'accélération à la page 102.</i>	X		
Examinez le moteur, le réservoir de carburant et le tuyau à carburant à la recherche de fuites.	X		
Serrez les écrous et les vis.	X		
Nettoyez ou remplacez l'écran pare-étincelles du silencieux. Reportez-vous à la section <i>Pour contrôler le silencieux à la page 103.</i>		X	
Vérifiez si le démarreur et le câble de démarreur sont endommagés.		X	
Vérifiez que les vis qui maintiennent les lames ensemble sont correctement serrées.		X	
Nettoyez le filtre à air. Nettoyez le filtre plus fréquemment s'il est utilisé dans des zones poussiéreuses. Remplacez-la si elle est endommagée.		X	
Vérifiez que les dispositifs anti-vibrations ne présentent pas de dommages ou de fissures. Remplacez-la si elle est endommagée.		X	
Nettoyez la surface extérieure de la bougie et la zone autour de celle-ci. Retirez la bougie et mesurez l'écartement des électrodes. Ajustez l'écartement des électrodes ou remplacez la bougie. Reportez-vous à la section <i>Pour vérifier la bougie à la page 109.</i>		X	
Nettoyez le système de refroidissement.		X	
Nettoyez la surface extérieure du carburateur et la zone autour de celui-ci.		X	
Vérifiez que le filtre à carburant n'est pas contaminé ou que le tuyau de carburant ne comporte pas de fissures ou d'autres défauts. Remplacez-la si elle est endommagée.			X
Nettoyez l'écran pare-étincelles du silencieux et remplacez-le s'il est endommagé.			X
Nettoyer la surface intérieure du réservoir de carburant.			X
Remplacez la bougie.			X
Vérifiez l'état d'usure de l'embrayage, du ressort d'embrayage et du tambour d'embrayage. Faites-les remplacer par un atelier d'entretien agréé s'ils sont endommagés.			X
Veillez à ce que le carter d'engrenage soit rempli de graisse.			X
Vérifiez tous les câbles et toutes les connexions.			X

Pour régler le régime de ralenti

1. Nettoyez le filtre à air et fixez le couvercle de filtre à air.
2. Faites démarrer le produit. Reportez-vous à la section *Démarrage du produit lorsque le moteur est froid à la page 106.*

3. Tournez le pointeau T de ralenti dans le sens des aiguilles d'une montre jusqu'à ce que l'unité de coupe commence à bouger.



4. Tournez la vis de réglage T dans le sens contraire des aiguilles d'une montre jusqu'à l'arrêt de l'unité de coupe.

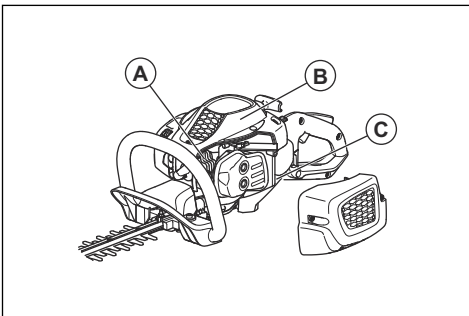


AVERTISSEMENT: Si l'unité de coupe ne s'arrête pas lorsque vous réglez le régime de ralenti, veuillez contacter l'atelier d'entretien le plus proche. N'utilisez pas le produit tant qu'il n'est pas réglé ou réparé correctement.

Remarque: Le régime de ralenti est correct lorsque le moteur fonctionne sans à-coups dans toutes les positions. Reportez-vous à la section *Caractéristiques techniques* à la page 113 pour connaître le régime de ralenti recommandé.

Pour nettoyer le circuit de refroidissement

Le circuit de refroidissement maintient une température basse dans le moteur. Le circuit de refroidissement comprend les ailettes de refroidissement du cylindre (A), le carter de cylindre (B) et la prise d'air par le carter moteur (C).



REMARQUE: La prise d'air entre le réservoir de carburant et le carter moteur peut facilement être bloquée par des feuilles. Nettoyez la prise d'air complètement.

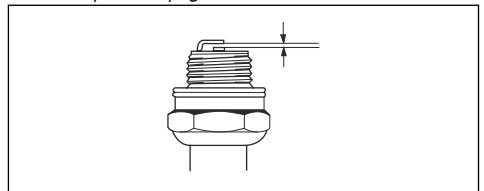
1. Nettoyez le circuit de refroidissement avec une brosse une fois par semaine ou plus fréquemment si nécessaire.
2. Assurez-vous que le système de refroidissement n'est pas encrassé ou colmaté.

Pour vérifier la bougie



REMARQUE: Utilisez toujours le type de bougie recommandé. Un type de bougie inadéquat peut endommager le produit.

- Inspectez la bougie si le moteur manque de puissance, n'est pas facile à démarrer ou ne fonctionne pas correctement lorsqu'il tourne au régime de ralenti.
- Afin de réduire le risque de matériaux indésirables présents sur les électrodes de la bougie, procédez comme suit :
 - a) Assurez-vous que le régime de ralenti est correctement réglé.
 - b) Assurez-vous que le mélange de carburant est correct.
 - c) Assurez-vous que le filtre à air est propre.
- Si la bougie est encrassée, nettoyez-la et vérifiez que l'écartement des électrodes est correct ; reportez-vous à la section *Caractéristiques techniques* à la page 113.

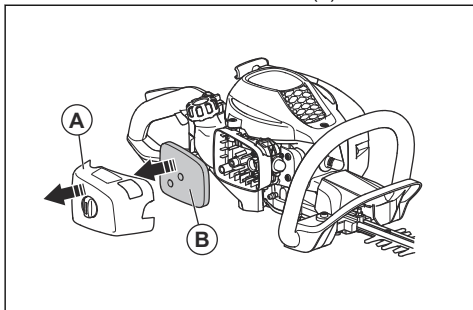


- Remplacez la bougie si nécessaire.

Pour nettoyer le filtre à air

Nettoyez la saleté et la poussière du filtre à air régulièrement. Cela permet d'éviter un dysfonctionnement du carburateur, des problèmes de démarrage, une perte de puissance du moteur, l'usure des pièces du moteur et l'augmentation de la consommation de carburant.

1. Retirez le couvercle du filtre à air (A).



2. Retirez le filtre à air (B) du cadre du filtre.
3. Nettoyez le filtre à air avec de l'eau chaude savonneuse.



REMARQUE: Un filtre à air ayant servi longtemps ne peut pas être complètement nettoyé. Remplacez le filtre à air régulièrement et remplacez toujours un filtre à air défectueux.

4. Assurez-vous que le filtre à air est sec.
5. Appliquez de l'huile sur le filtre à air. Reportez-vous à la section *Pour appliquer de l'huile sur le filtre à air en mousse à la page 110*.
6. Nettoyez la surface intérieure du couvercle du filtre à air. Utilisez de l'air comprimé ou une brosse.

Pour appliquer de l'huile sur le filtre à air en mousse



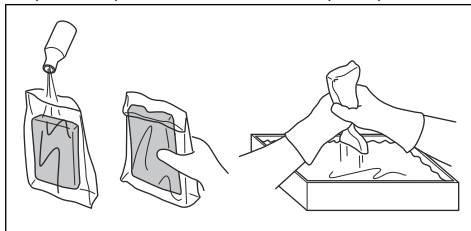
REMARQUE: Utilisez toujours une huile spéciale McCULLOCH pour filtre à air. N'utilisez pas d'autres types d'huile.



AVERTISSEMENT: Mettez des gants de protection. L'huile pour filtre à air peut irriter la peau.

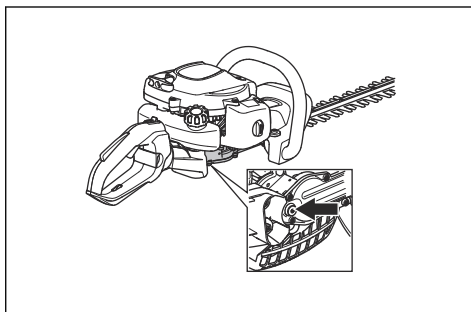
1. Mettez le filtre à air en mousse dans un sachet en plastique.
2. Versez l'huile dans le sachet en plastique.
3. Pressez le sachet en plastique pour assurer une répartition uniforme de l'huile dans le filtre à air en mousse.

4. Retirez l'excédent d'huile du filtre à air en mousse pendant qu'il est dans le sachet en plastique.



Pour lubrifier le carter d'engrenage

- Utilisez de la graisse spéciale McCULLOCH. Pour obtenir davantage d'informations sur la graisse recommandée, contactez votre atelier d'entretien.
- Ajoutez la graisse par le bouchon de remplissage de lubrifiant sur le carter.



REMARQUE: Ne remplissez pas entièrement le carter d'engrenage.

Pour nettoyer et lubrifier les lames

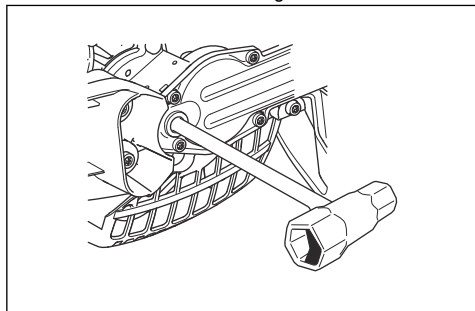
1. Nettoyez les lames afin d'enlever les matériaux indésirables avant et après l'utilisation du produit.
2. Lubrifiez les lames avant les périodes de remisage prolongées.

Remarque: Pour davantage d'informations sur les nettoyeurs et lubrifiants recommandés, contactez votre atelier d'entretien.

Pour examiner les lames

1. Déposez le bouchon de remplissage de lubrifiant sur le carter.

2. Assurez-vous que les lames tournent librement. Insérez la clé mixte dans le carter d'engrenage et tournez-la dans le sens des aiguilles d'une montre et dans le sens contraire des aiguilles d'une montre.



3. Examinez les bords de la lame pour vérifier si des dommages et des déformations sont présents.
4. Limez les bavures éventuelles sur les lames.

Dépannage

Dépannage

Le moteur ne démarre pas		
Problème	Cause possible	Étape recommandée
Cliquets du lanceur	Les cliquets du démarreur ne peuvent pas se déplacer librement.	Réglez ou remplacez les cliquets du démarreur.
		Nettoyez les cliquets du démarreur.
		Contactez un atelier d'entretien agréé.
Réservoir de carburant	Mauvais type de carburant.	Vidangez et utilisez le bon carburant.
Carburateur	Régime de ralenti incorrect.	Réglez le ralenti.
Absence d'étincelle	La bougie d'allumage est sale ou humide.	Assurez-vous que la bougie est sèche et propre.
	Écartement des électrodes incorrect.	Nettoyez la bougie. Assurez-vous que l'écartement des électrodes de la bougie est correct. Assurez-vous que la bougie est dotée d'un antiparasite. Reportez-vous à la section <i>Caractéristiques techniques</i> à la page 113 pour connaître l'écartement des électrodes correct.
Bougie	La bougie d'allumage est desserrée.	Serrez la bougie d'allumage.

Le moteur démarre, puis s'arrête à nouveau		
Problème	Cause possible	Étape recommandée
Réservoir de carburant	Mauvais type de carburant.	Vidangez et utilisez le bon carburant.

Le moteur démarre, puis s'arrête à nouveau		
Problème	Cause possible	Étape recommandée
Carburateur	Régime de ralenti incorrect.	Réglez le ralenti. Reportez-vous à la section <i>Pour régler le régime de ralenti à la page 108</i> . Consultez votre atelier d'entretien si nécessaire.
Filtre à air	Filtre à air bouché.	Nettoyez le filtre à air.

Lame		
Problème	Causes possibles	Étape recommandée
La lame bouge lentement ou ne bouge pas.	La lame est bloquée ou endommagée.	Nettoyez les lames des matériaux indésirables. Reportez-vous à la section <i>Pour nettoyer et lubrifier les lames à la page 110</i> . Pour éliminer les bavures de la lame, reportez-vous à <i>Pour examiner les lames à la page 110</i> . Remplacez la lame si elle est endommagée.
La lame coupe avec difficulté.	La lame n'est pas aiguisée ou elle est endommagée.	Pour affûter la lame, reportez-vous à la section <i>Pour examiner les lames à la page 110</i> . Remplacez la lame si elle est endommagée.
La lame devient chaude.	Il y a un frottement entre les lames.	Éliminez les bavures de la lame et lubrifiez-la. Reportez-vous à la section <i>Pour examiner les lames à la page 110</i> .

Transport, entreposage et mise au rebut

Transport et stockage

- Laissez toujours le produit refroidir avant de le remiser.
- Pour le stocker et transporter le produit et le carburant, assurez-vous qu'il n'y a pas de fuite ou de vapeurs. Les étincelles ou les flammes nues produites par exemple par des appareils électriques ou chaudières peuvent provoquer un incendie.
- Utilisez uniquement des récipients homologués pour le transport et le stockage de carburant.
- Videz le carburant avant le transport ou avant un remisage prolongé. Mettez le carburant au rebut dans une déchetterie appropriée.
- Fixez la protection de transport pendant le transport et le remisage.

- Déposez le capuchon de la bougie.
- Fixez le produit pour le transporter. Assurez-vous qu'il ne puisse pas bouger.
- Nettoyez et effectuez l'entretien sur le produit avant de le remiser pour une période prolongée.

Mise au rebut

- Respectez les consignes locales et les réglementations applicables.
- Mettez au rebut tous les produits chimiques tels que l'huile moteur ou le carburant dans un centre d'entretien ou dans une déchetterie appropriée.
- Mettez le produit au rebut dans un endroit approuvé ou envoyez-le à McCULLOCH afin qu'il soit mis au rebut.

Caractéristiques techniques

Caractéristiques techniques

Caractéristiques techniques	SUPERLITE 4528	ERGOLITE 6028
Moteur		
Cylindrée, cm ³	21,7	21,7
Régime de ralenti, tr/min	2 800	2 800
Régime maximal recommandé, tr/min	9 000	9 000
Puissance moteur maximale selon ISO 8893, kW/tr/min	0,6/7 800	0,6/7 800
Silencieux avec pot catalytique	Oui	Oui
Système d'allumage		
Bougie	HQT-4 672201	HQT-4 672201
Écartement des électrodes, mm	0,5	0,5
Carburant		
Capacité du réservoir de carburant, l	0,3	0,3
Poids		
Poids, kg	4,8	5,0
Émissions sonores ¹⁹		
Niveau de puissance acoustique mesuré, dB (A)	100	100
Niveau de puissance acoustique garanti L _{WA} , dB (A)	101	101
Niveaux sonores ²⁰		
Niveau de pression acoustique équivalente au niveau des oreilles de l'opérateur, mesurée selon EN ISO 10517, dB(A)	93	93
Niveaux de vibrations ²¹		
Niveaux de vibrations équivalents (a _{hv,eq}) mesurés au niveau des poignées selon EN ISO 10517, en m/s ² :		
Avant/arrière, mm/s ²	3,5/4,4	4,1/5,2
Lames		
Type	Double tranchant	Double tranchant

¹⁹ Émissions sonores dans l'environnement mesurées comme puissance acoustique (L_{WA}) selon la directive européenne CE 2000/14/CE. Le niveau de puissance sonore reporté pour le produit a été mesuré avec l'équipement de coupe d'origine qui atteint le niveau le plus élevé. La différence entre le niveau de puissance sonore garanti et le niveau mesuré réside dans le fait que le niveau garanti prend également en compte la dispersion et les variations d'une machine à l'autre du même modèle, conformément à la directive 2000/14/CE.

²⁰ Les données reportées pour le niveau de pression sonore montrent une dispersion statistique typique (déviat-ion standard) de 1 dB (A).

²¹ Les données reportées pour le niveau de vibrations montrent une dispersion statistique typique (déviat-ion standard) de 1 m/s².

Caractéristiques techniques	SUPERLITE 4528	ERGOLITE 6028
Longueur de coupe, mm	450	590
Vitesse de coupe, taille/min	4 050	4 050

Déclaration de conformité CE

Déclaration de conformité EU

Nous, **Husqvarna AB**, SE-561 82 Huskvarna, Suède,
tél : +46-36-146500, déclarons sous notre entière
responsabilité que le produit :

Description	Taille-haie
Marque	McCULLOCH
Type/Modèle	SUPERLITE 4528, ERGOLITE 6028
Identification	Les numéros de série à partir de 2022 et ultérieurs

est entièrement conforme à la réglementation et aux
directives de l'UE suivantes :

Réglementation	Description
2006/42/EC	« relative aux machines »
2014/30/UE	« relative à la compatibilité électromagnétique »
2000/14/EC	« relative aux émissions sonores dans l'environnement, annexe V »
2011/65/UE	« relative à la limitation de l'utilisation de certaines substances dangereuses au sein d'équipements électriques et électroniques »

et que les normes et/ou les spécifications techniques
suivantes sont appliquées : EN ISO 12100:2010,
EN ISO 10517:2019, EN IEC 63000:2018, EN ISO
14982:2009.

L'organisme notifié : RISE SMP Svensk Maskinprovning
AB,, Box 7035, SE-750 07 Uppsala, Sweden a
procédé à des examens volontaires pour le compte de
Husqvarna AB.

Numéro de certificat : SEC/11/2327

Pour toute information relative aux émissions sonores,
veuillez consulter la section *Caractéristiques techniques*
à la page 113.

Huskvarna, 2022-02-15

Stefan Holmberg, responsable mondial, équipements
portatifs, responsable de laboratoire chez HH Global
Services, Husqvarna AB

Responsable de la documentation technique

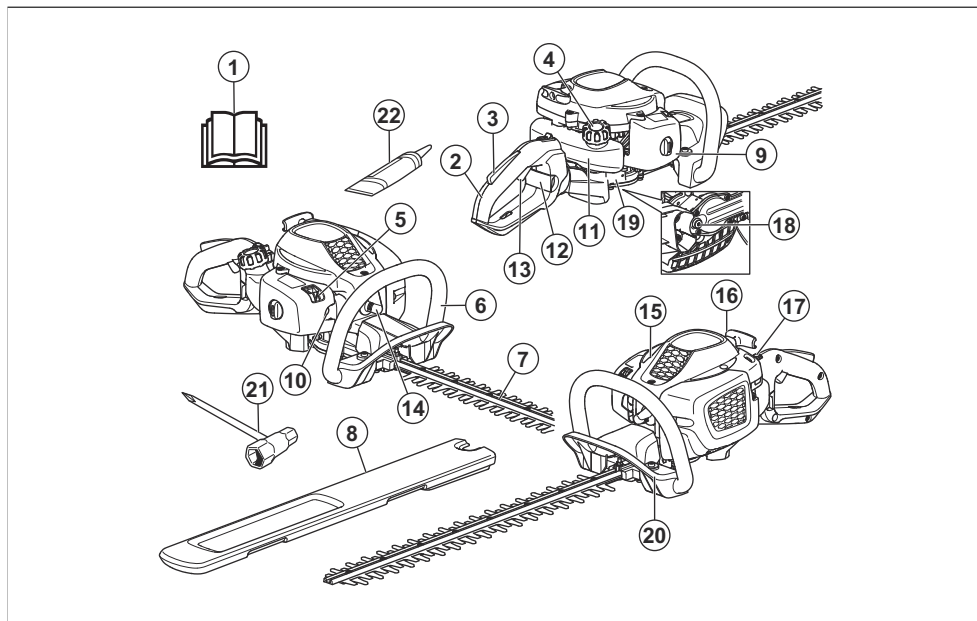


Inhoud

Inleiding.....	116	Probleemoplossing.....	128
Veiligheid.....	117	Vervoer, opslag en verwerking.....	129
Werking.....	123	Technische gegevens.....	130
Onderhoud.....	125	EG verklaring van overeenstemming.....	132

Inleiding

Productoverzicht



1. Bedieningshandleiding
2. Achterhandgreep
3. Gashendelvergrendeling
4. Brandstoftankdop
5. Chokehendel
6. Voorhandgreep
7. Snijblad en beschermkap
8. Transportbescherming
9. Luchtfilterdeksel
10. Primerbalg van brandstofpomp
11. Brandstoftank
12. Hendelvergrendeling (ErgoLite)
13. Gashendel
14. Bougiekap en bougie
15. Cilinderkap
16. Startkoordgreep
17. Stopschakelaar
18. Vuldop voor smeermiddel
19. Tandwielhuis
20. Handbeveiliging
21. Ring-steeksleutel
22. Tube vet

Productbeschrijving

Het product is een heggenschaar met een verbrandingsmotor.

Gebruik

Gebruik het product voor het snoeien van takken en twijgen. Gebruik het product niet voor andere taken.

Symbolen op het product



WAARSCHUWING! Dit product kan gevaarlijk zijn en ernstig of fataal letsel toebrengen aan de gebruiker of anderen. Wees voorzichtig en gebruik het product op de juiste manier.



Lees de bedieningshandleiding zorgvuldig door en zorg dat u de instructies hebt begrepen voordat u het product gebruikt.



Gebruik goedgekeurde gehoorbescherming en oogbescherming.



Draag goedgekeurde veiligheidshandschoenen.



Gebruik antisliplaarzen voor zwaar gebruik.



Primerbalg van brandstofpomp.



Choke.



Vergrendeling voor verstelbare greep.



Brandstof.



Geluidsemissies naar de omgeving volgens de Europese richtlijn 2000/14/EG en de wetgeving van Nieuw-Zuid-Wales "Protection of the Environment Operations (Noise Control) Regulation 2017". De geluidsemissiegegevens vindt u op het machinelabel en in het hoofdstuk Technische gegevens.



Het product voldoet aan de geldende EG-richtlijnen.

yyyywwxxxx

Het productplaatje toont het serienummer. **iiii** is het productiejaar en **ww** is de productieweek.

Let op: Andere symbolen/stickers op het product hebben betrekking op certificeringseisen voor bepaalde markten.

Euro V-emissies



WAARSCHUWING: De EU-typegoedkeuring van dit product vervalt als ongeoorloofde wijzigingen aan de motor aangebracht worden.

Veiligheid

Veiligheidsdefinities

Waarschuwingen, voorzorgsmaatregelen en opmerkingen worden gebruikt om te wijzen op belangrijke delen van de handleiding.



WAARSCHUWING: Wordt gebruikt om te wijzen op de kans op ernstig of fataal letsel voor de gebruiker of omstanders wanneer de instructies in de handleiding niet worden gevolgd.



OPGELET: Wordt gebruikt indien er een risico bestaat op schade aan het product en andere eigendommen of aan de omgeving wanneer de instructies in de handleiding niet worden gevolgd.

Let op: Geven verdere informatie die nodig is in een bepaalde situatie.

Algemene veiligheidsinstructies



WAARSCHUWING: Lees de volgende waarschuwingen voordat u het product gaat gebruiken.

- Bij onjuist of onzorgvuldig gebruik kan het product een gevaarlijk gereedschap worden, dat ernstig of zelfs dodelijk letsel kan veroorzaken. Het is uiterst belangrijk dat u de inhoud van deze bedieningshandleiding doorleest en begrijpt.
- Dit product produceert tijdens bedrijf een elektromagnetisch veld. Dit veld kan onder bepaalde omstandigheden de werking van actieve of passieve medische implantaten verstoren. Om het risico op ernstig of fataal letsel te beperken, raden we

personen met een medisch implantaat aan om contact op te nemen met hun arts en de fabrikant van het medische implantaat voordat ze dit product gaan bedienen.

- Als men teveel wordt blootgesteld aan trillingen, kan dit tot bloedvat- en zenuwbeschadigingen leiden bij personen die een slechte bloedcirculatie hebben. Consulteer uw dokter wanneer u symptomen heeft die wijzen op te grote blootstelling aan trillingen. Dergelijke symptomen zijn o.a. een doof gevoel, gevoelloosheid, tintelingen, een prikkelend gevoel, pijn, krachtverlies, veranderingen van huidskleur of conditie van de huid. Deze symptomen komen meestal voor op vingers, handen of polsen. De risico's kunnen bij lage temperaturen toenemen.
- Een gebruikte geluiddemper en vonkenscherm kunnen kankerverwekkende verbrandingsdeeltjes bevatten. Vermijd blootstelling aan deze verbindingen wanneer u de geluiddemper of het vonkenscherm hanteert. Lees de instructies in *Geluiddemper controleren op pagina 121* voordat u de geluiddemper of het vonkenscherm hanteert.
- Wanneer u in een situatie belandt waarin u niet goed weet hoe u verder te werk moet gaan, moet u een expert raadplegen. Neem contact op met uw dealer of uw servicewerkplaats. Gebruik de machine nooit voor taken waarvoor u niet voldoende gekwalificeerd bent.
- Denk erom dat de gebruiker verantwoordelijk is voor ongelukken of beschadigingen van andere mensen of hun eigendommen.
- Laat nooit iemand anders het product gebruiken zonder dat u zeker weet dat hij of zij de gebruikershandleiding heeft begrepen.
- Sta nooit toe dat kinderen het product gebruiken of in de buurt van het product komen. Omdat het product is uitgerust met een terugverende stopschakelaar en kan worden gestart op lage snelheid en met weinig kracht op de starthendel, kunnen zelfs kleine kinderen onder bepaalde omstandigheden het product op eigen kracht starten. In dat geval kan er een risico op ernstig persoonlijk letsel bestaan. Verwijder daarom de bougiekap wanneer u geen toezicht houdt op het product.
- Bewaar het product buiten het bereik van kinderen.
- Gebruik het product nooit als u moe bent, alcohol heeft gedronken of medicijnen hebt ingenomen die uw gezichtsvermogen, beoordelingsvermogen of coördinatievermogen negatief beïnvloeden.
- Gebruik nooit een machine die defect is. Volg de onderhouds-, controle- en service-instructies van deze gebruiksaanwijzing. Bepaalde onderhouds- en servicemaatregelen moeten door opgeleide en gekwalificeerde specialisten worden uitgevoerd. Zie de instructies in het hoofdstuk Onderhoud.
- Gebruik nooit een product dat zo gewijzigd is dat het niet langer overeenkomt met de originele uitvoering

Veiligheidsinstructies voor bediening



WAARSCHUWING: Lees de volgende waarschuwingen voordat u het product gaat gebruiken.

- Gebruik het product nooit bij extreme klimaatomstandigheden zoals strenge kou of een zeer warm en/of vochtig klimaat.
- Defecte snijbladen kunnen het risico op ongevallen vergroten.
- Zorg ervoor dat er zich geen personen of dieren op een afstand van minder dan 15 meter bevinden terwijl u werkt.
- Controleer de omgeving en vergewis u ervan dat er geen risico bestaat dat mensen of dieren in contact komen met de snijuitrusting.
- Controleer het werkgebied. Verwijder voorwerpen die weggeslingerd kunnen worden.
- Let erop dat u tijdens het werken altijd op een veilige en stabiele ondergrond staat.
- Laat de machine nooit onbeheerd achter terwijl de motor draait.
- Zorg ervoor dat uw handen en voeten niet bij het snij-aggregaat komen als de motor draait.
- Mocht er tijdens de werkzaamheden iets tussen de messen vast komen zitten, moet de motor uitgezet worden en moeten de messen helemaal gestopt zijn voordat ze worden schoongemaakt. Koppel de bougiekap los van de bougie.
- Wanneer u de motor hebt uitgeschakeld, moet u uw handen en voeten uit de buurt van het snij-aggregaat houden tot de motor helemaal gestopt is.
- Wees alert op stukken tak die tijdens het knippen weggeslingerd kunnen worden.
- Let als u gehoorbescherming draagt op waarschuwingssignalen of geschreeuw. Doe uw gehoorbescherming altijd af nadat de motor is gestopt.
- Werk nooit op een ladder, stoel of andere verhoging die niet stevig vast staat.
- Gebruik altijd beide handen om het product vast te houden. Houd het product voor uw lichaam.
- Stop het product onmiddellijk als een vreemd voorwerp wordt geraakt of als zich trillingen voordoen. Koppel de bougiekap los van de bougie. Controleer of het product niet beschadigd is. Repareer eventuele beschadigingen.
- Verzeker u ervan dat de bougiedop en ontstekingskabel onbeschadigd zijn om het risico van een elektrische schok te voorkomen.
- Controleer of alle moeren en bouten goed vastgedraaid zijn.
- Zorg ervoor dat de tandwielkast goed gesmeerd is. Zie *Voor het smeren van het tandwielhuis op pagina 128*.

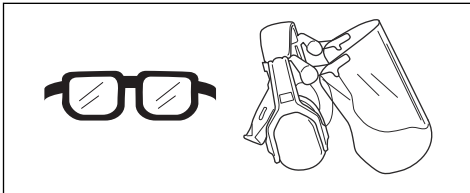
- De tandwielkast is warm wanneer het product is gebruikt. Raak de tandwielkast niet aan om brandwonden te voorkomen.
- Alle kappen en beschermkappen moeten gemonteerd zijn voor de start.
- Wanneer de bladen vastlopen, kunnen ze worden losgemaakt door de combinatiesleutel in de tandwielkast te steken. Steek de combinatiesleutel in de vertanding en draai hem heen en weer. Zie *Voor het smeren van het tandwielhuis op pagina 128*.
- De transportbescherming moet altijd op het snij-aggregaat worden geplaatst als het product niet wordt gebruikt.

Persoonlijke beschermingsuitrusting

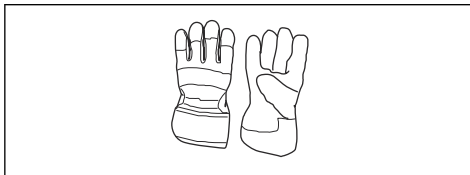


WAARSCHUWING: Lees de volgende waarschuwingen voordat u het product gaat gebruiken.

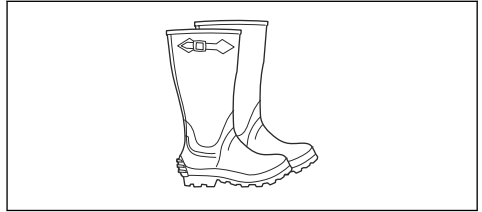
- Draag tijdens het gebruik van het product altijd goedgekeurde persoonlijke beschermingsuitrusting. Persoonlijke beschermingsuitrusting kunnen niet alle risico's uitsluiten maar kunnen de ernst van eventueel letsel helpen beperken. Vraag uw dealer u te helpen bij het kiezen van de juiste beschermingsmiddelen.
- Gebruik goedgekeurde gehoorbescherming met voldoende dempvermogen. Langdurige blootstelling aan lawaai kan leiden tot permanente gehoorbeschadiging.
- Gebruik goedgekeurde oogbescherming. Als u een vizier gebruikt, moet u ook een goedgekeurde veiligheidsbril gebruiken. Een goedgekeurde veiligheidsbril moet voldoen aan de norm ANSI Z87.1 voor de VS of EN 166 voor de EU-landen.



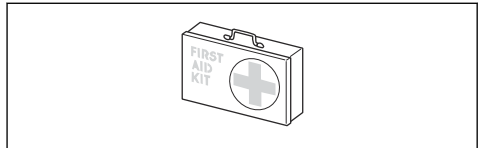
- Draag zo nodig handschoenen, bijvoorbeeld bij het monteren, inspecteren of reinigen van de snijuitrusting.



- Gebruik stevige laarzen of schoenen met antislipzool.



- Gebruik kleding van stevige stof. Gebruik altijd een zware lange broek en lange mouwen. Gebruik geen loszittende kleding die gemakkelijk kan blijven haken aan takjes en struikgewas. Draag geen sieraden, korte broek of sandalen of loop niet op blote voeten. Bind voor de veiligheid lang haar samen tot boven schouderhoogte.
- Houd een EHBO-does binnen handbereik.



Veiligheidsvoorzieningen op het product

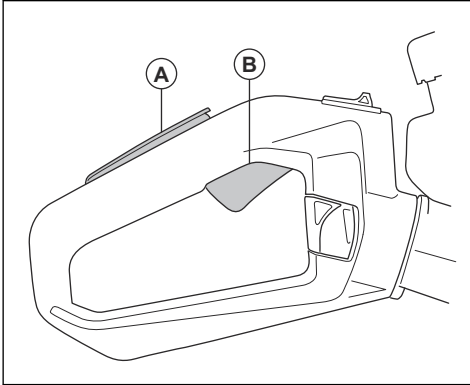


WAARSCHUWING: Lees de volgende waarschuwingen voordat u het product gaat gebruiken.

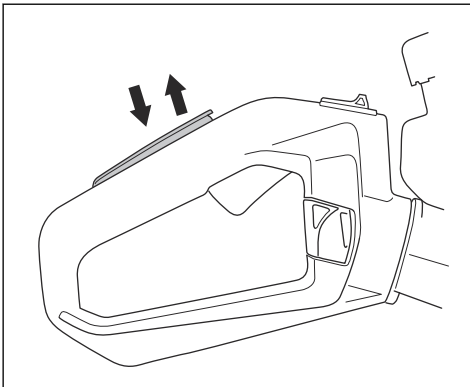
- Gebruik het product nooit wanneer de veiligheidsvoorzieningen defect zijn.
- Controleer de veiligheidsvoorzieningen regelmatig op een juiste werking. Als de veiligheidsvoorzieningen defect zijn, neem dan contact op met uw McCULLOCH servicewerkplaats.

Gashendelvegrendeling controleren

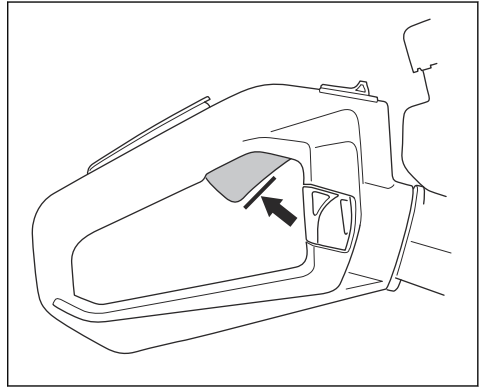
1. Controleer of gashendelvegrendeling (A) en de gashendel (B) vrij bewegen en of de retourveer correct werkt.



2. Duw de gashendelvegrendeling omlaag en controleer of deze terugkeert naar de oorspronkelijke stand wanneer u hem loslaat.



3. Laat de gashendelvegrendeling los en controleer of de gashendel vergrendeld is op een stationair toerental.



4. Start de motor en geef vol gas.
5. Laat de gashendel los en controleer of de bladen volledig stoppen.



WAARSCHUWING: Als de bladen bewegen wanneer de gashendel in de stationaire stand staat, moet het stationaire toerental worden afgesteld. Zie *Stationair toerental afstellen op pagina 126*.

De stopschakelaar controleren

1. Start de motor.
2. Zet de stopschakelaar in de stopstand en zorg dat de motor stopt.



WAARSCHUWING: De stopschakelaar keert automatisch terug naar de startpositie. Om onbedoeld starten te voorkomen, verwijdert u de bougiekap van de bougie bij montage van of onderhoud aan het product.

De handbescherming controleren

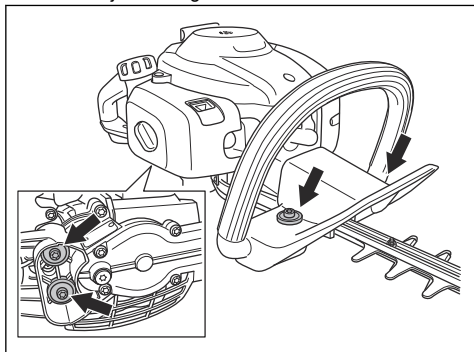
De handbescherming voorkomt letsel door de bladen.

1. Stop de motor.
2. Zorg dat de handbescherming op de juiste manier is aangebracht.
3. Controleer de handbescherming op beschadigingen.

Trillingsdempingssysteem controleren

Het trillingsdempingssysteem vermindert trillingen in de handgrepen. De trillingsdemping fungeert als scheiding tussen de behuizing van het product en de handgreep.

1. Voer een visuele controle uit op vervorming en beschadiging.
2. Controleer of de onderdelen van de trillingdempers correct zijn bevestigd.



Geluiddemper controleren



WAARSCHUWING: Gebruik het product nooit zonder geluiddemper of met een defecte geluiddemper. Wanneer de geluiddemper defect is, stijgt het geluidsniveau en neemt het risico op brand toe. Gebruik het product niet zonder vonkenscherm of met een beschadigd vonkenscherm. Een beschadigd vonkenscherm mag nooit worden teruggeplaatst.



WAARSCHUWING: Een gebruikte geluiddemper en vonkenscherm kunnen kankerverwekkende verbrandingsdeeltjes bevatten. Gebruik beschermende handschoenen en voer onderhoud uit in een goed geventileerde omgeving om huidcontact en inademing van kankerverwekkende deeltjes te voorkomen. Gebruik geen perslucht om het vonkenscherm te reinigen. Gebruik een staalborstel en borstel van uw lichaam af wanneer u het vonkenscherm schoonmaakt.



WAARSCHUWING: De dempers worden zeer heet tijdens en na het gebruik, ook bij stationair toerental.



OPGELET: Indien het vonkenscherm vaak verstopt is, kan dit erop duiden dat de werking van de katalysator is afgenomen. Neem contact op met uw servicedealer voor controle van de geluiddemper. Een verstopt vonkenscherm veroorzaakt oververhitting en

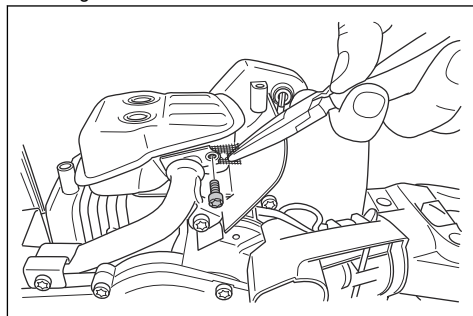
dat leidt tot schade aan de cilinder en zuiger.



WAARSCHUWING: De binnenkanten van de geluiddemper bevatten chemische stoffen die kanker kunnen veroorzaken. Raak deze elementen niet aan als de geluiddemper is beschadigd.

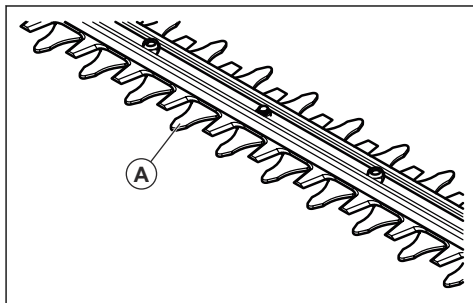
De uitlaatdemper is bedoeld om het geluidsniveau zo laag mogelijk te houden en om de uitlaatgassen uit de buurt te houden van de gebruiker. Een geluiddemper met een katalysator vermindert schadelijke uitlaatgassen.

1. Stop de motor.
2. Voer een visuele controle uit op beschadiging en vervorming.
3. Zorg ervoor dat de geluiddemper correct aan het product is bevestigd.
4. Reinig het vonkenscherm met een draadborstel.



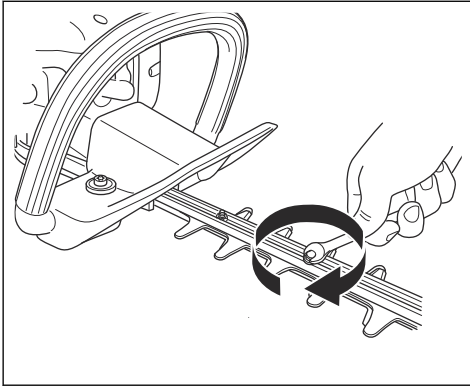
Het blad en de bladbeschermkap controleren

De buitenste delen van de bladen (A) fungeren als bladbeschermkappen. De bladbeschermkap beschermt de gebruiker tegen het per ongeluk aanraken van het blad.



1. Stop de motor en zorg ervoor dat het snij-aggregaat stopt.
2. Verwijder de bougiekap van de bougie.

3. Draag veiligheidshandschoenen.
4. Controleer of het blad en de bladbeschermer niet zijn beschadigd of verbogen. Vervang altijd een beschadigd of verbogen blad.
5. Zorg ervoor dat de schroeven op het snij-aggregaat zijn bevestigd. Haal de schroef aan tot 7-10 Nm.



- Zorg ervoor dat de motor koud is wanneer u brandstof bijvult.
- Draai de tankdop langzaam open en laat de druk voorzichtig ontsnappen voordat u brandstof bijvult.
- Vul geen brandstof voor de motor bij in een afgesloten ruimte. Onvoldoende ventilatie kan leiden tot ernstig letsel of de dood door verstikking of het inademen van koolmonoxide.
- Draai de tankdop volledig aan. Als de tankdop niet volledig is aangedraaid, bestaat een risico op brand.
- Verplaats het product minstens 3 m van de plaats waar u de brandstoftank hebt gevuld, voordat u het product start.
- Vul de brandstoftank niet volledig. Door hitte zet de brandstof uit. Zorg ervoor dat er ruimte overblijft aan de bovenkant van de brandstoftank.

Veiligheidsinstructies voor onderhoud



WAARSCHUWING: Lees de volgende waarschuwingen voordat u het product gaat gebruiken.

Brandstofveiligheid



WAARSCHUWING: Lees de volgende waarschuwingen voordat u het product gaat gebruiken.

- Start het product niet als er brandstof of motorolie op het product aanwezig is. Verwijder de ongewenste brandstof/olie en laat het product drogen.
- Als u brandstof op uw kleding morst, trek dan direct andere kleding aan.
- Zorg dat er geen brandstof op uw lichaam terecht komt, dit kan letsel veroorzaken. Als er brandstof op uw lichaam terecht komt, verwijder deze dan met water en zeep.
- Start het product niet als er sprake is van een motorlekkage. Controleer de motor regelmatig op lekkage.
- Wees voorzichtig met brandstof. Brandstof is licht ontvlambaar en de dampen zijn explosief. Ze kunnen letsel veroorzaken of leiden tot de dood.
- Adem geen brandstofdampen in, dit kan letsel veroorzaken. Zorg voor voldoende ventilatie.
- Rook niet in de buurt van de brandstof of de motor.
- Plaats geen warme voorwerpen in de buurt van de brandstof of de motor.
- Vul geen brandstof bij terwijl de motor is ingeschakeld.
- Stop de motor en zorg dat de snijtrusting stopt. Laat het product afkoelen voordat u onderhoudswerkzaamheden uitvoert.
- Koppel de bougiekap los voordat u onderhoud uitvoert.
- Uitlaatgassen van de motor bevatten koolmonoxide, een geurloos, giftig en uiterst gevaarlijk gas, dat de dood kan veroorzaken. Laat het product nooit binnenshuis of in gesloten ruimten draaien.
- De uitlaatdampen van de motor zijn heet en kunnen vonken bevatten. Laat het product niet draaien in gesloten ruimtes of in de buurt van licht ontvlambaar materiaal.
- Accessoires en wijzigingen aan het product die niet zijn goedgekeurd door de fabrikant, kunnen leiden tot ernstig letsel of overlijden. Breng geen wijzigingen aan het product aan. Gebruik altijd originele accessoires.
- Als het onderhoud niet correct en regelmatig wordt uitgevoerd, bestaat een verhoogde kans op letsel of schade aan het product.
- Voer alleen onderhoud uit zoals aanbevolen in deze bedieningshandleiding. Laat een goedgekeurde McCULLOCH-servicewerkplaats alle andere onderhoudswerkzaamheden uitvoeren.
- Laat een erkende McCULLOCH servicewerkplaats regelmatig onderhoud aan het product uitvoeren.
- Vervang beschadigde, versleten of defecte onderdelen.

Werking

Inleiding



WAARSCHUWING: Zorg dat u het hoofdstuk over veiligheid hebt gelezen en begrepen voordat u het product gebruikt.

Brandstof

Dit product is uitgerust met een tweetaktmotor.



OPGELET: Een verkeerde soort brandstof kan leiden tot motorschade. Gebruik een mengsel van benzine en tweetaktolie.

Voorgemengde brandstof

- Gebruik voorgemengde McCULLOCH-alkylaatbrandstof voor optimale prestaties en een lange levensduur van de motor. Deze brandstof bevat minder schadelijke stoffen dan reguliere brandstof waardoor de uitstoot van schadelijke uitlaatgassen wordt beperkt. Bij gebruik van deze brandstof blijven er minder verbrandingsresten in de motor achter waardoor de onderdelen van de motor schoner blijven.

Brandstof mengen

Benzine

- Gebruik hoogwaardige loodvrije benzine met maximaal 10% ethanol (E10).



OPGELET: Gebruik geen benzine met een octaangetal lager dan 90 RON/87 AKI. Een lager octaangetal kan leiden tot pingelen van de motor wat tot motorschade kan leiden.

Tweetaktolie

- Gebruik voor de beste resultaten en optimale prestaties McCULLOCH tweetaktolie.
- Als geen McCULLOCH tweetaktolie beschikbaar is, gebruik dan een andere hoogwaardige tweetaktolie voor luchtgekoelde motoren. Bespreek de keuze van de tweetaktolie met uw servicedealer.



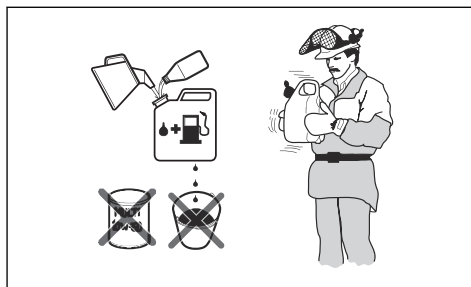
OPGELET: Gebruik geen tweetaktolie die bedoeld is voor watergekoelde buitenboordmotoren, zogenaamde outboardoil. Gebruik geen olie die is bedoeld voor viertaktmotoren.

Benzine en tweetaktolie mengen

Benzine, liter	Tweetaktolie, liter
	2% (50:1)
5	0,10
10	0,20
15	0,30
20	0,40



OPGELET: Wanneer u kleine hoeveelheden brandstof mengt, kunnen kleine fouten grote gevolgen hebben voor de mengverhouding. Meet de hoeveelheid olie nauwkeurig af om het juiste mengsel te verkrijgen.



1. Giet de helft van de benzine in een schone brandstofbestendige houder.
2. Voeg de volledige hoeveelheid olie toe.
3. Schud het brandstofmengsel.
4. Giet de resterende hoeveelheid benzine in de houder.
5. Schud het brandstofmengsel grondig.

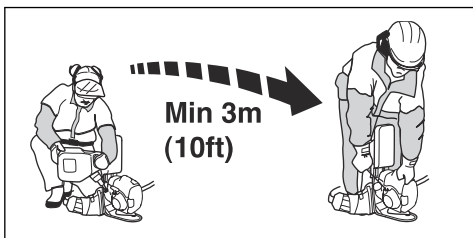


OPGELET: Meng maximaal de hoeveelheid brandstof die u nodig hebt voor 1 maand.

Brandstoftank vullen

1. Maak het gebied rondom de brandstoftankdop goed schoon.
2. Schud de container en zorg ervoor dat de brandstof volledig is gemengd. Gebruik een brandstofcontainer met een anti-morsschenktuit.
3. Verwijder de brandstoftankdop.

- Vul de brandstoftank.
- Draai de tankdop volledig vast.
- Verwijder het product altijd ten minste 3 m (10 ft) uit de buurt van de tankplaats en brandstofbron voordat u het product gaat starten.

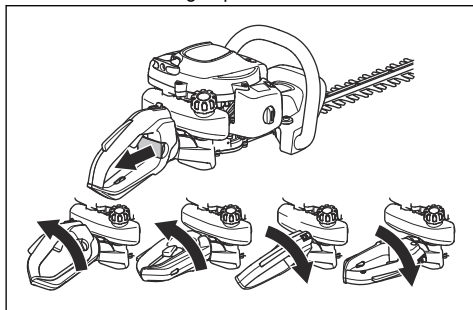


OPGELET: Verontreinigingen in de tank kunnen defecten veroorzaken. Reinig de brandstoftank en de kettinolieltank regelmatig en vervang het brandstoffilter één keer per jaar of vaker.

De handgreep afstellen (ERGOLITE 6028)

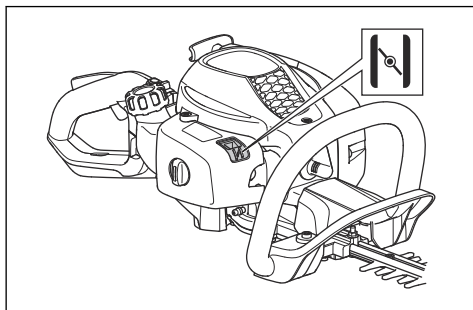
De achterhandgreep kan worden afgesteld op 5 posities.

- Ontgrendel de vergrendelknop van de handgreep en draai aan de handgreep.



Het product starten met een koude motor

- Trek de chokehendel in de chokestand.



- Druk ongeveer 6 keer op de primerbalg van de brandstofpomp totdat de balg wordt gevuld met brandstof. Het is niet nodig het balgie volledig te vullen.
- Druk de behuizing van het apparaat met uw linkerhand op de grond. Stap niet op het product.
- Trek langzaam met uw rechterhand aan de startkoordhendel totdat u enige weerstand voelt en trek dan snel en met kracht aan de startkoordhendel.



WAARSCHUWING: Wikkel het startkoord niet rond uw hand.



OPGELET: Trek het startkoord niet helemaal uit en laat de greep niet los.

- Blijf aan de startkoordhendel trekken totdat de motor aanslaat en duw vervolgens de chokehendel naar zijn oorspronkelijke stand.



WAARSCHUWING: Wanneer de motor start, gaan de bladen draaien.

- Blijf aan de startkoordhendel trekken totdat de motor start.
- Druk kort op de gashendel om de motor op het stationaire toerental in te stellen.
- Duw het gaspedaal geleidelijk in om het motortoerental te verhogen.
- Zorg ervoor dat de motor soepel loopt.

Het product starten met een warme motor

- Druk de behuizing van het apparaat met uw linkerhand op de grond. Stap niet op het product.
- Trek langzaam met uw rechterhand aan de startkoordhendel totdat u enige weerstand voelt en trek dan snel en met kracht aan de startkoordhendel. Ga door totdat de motor aanslaat.

Let op: Raadpleeg *Het product starten met een koude motor* op pagina 124 voor meer informatie over het starten van het product.

Product stoppen

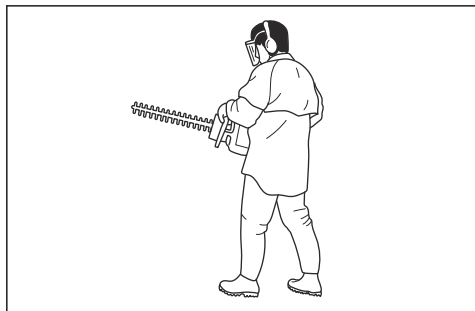
- Zet de stopschakelaar in de stopstand om de motor te stoppen.



OPGELET: De stopschakelaar keert automatisch terug naar de bedrijfsstand.

Het product gebruiken

1. Begin bij de grond en beweeg het product omhoog langs de heg wanneer u de zijanten snoeit. Zorg ervoor dat de behuizing van het product de heg niet raakt.



WAARSCHUWING: Zorg ervoor dat de voorzijde van de snijuitrusting de grond niet raakt.

2. Pas de snelheid aan voor het uitlijnen met de werklast.
3. Houd het product dicht bij uw lichaam voor een stabiele werkpositie.
4. Wees voorzichtig en bedien het product langzaam.

Onderhoud

Inleiding

begrepen voordat u onderhoud aan het product gaat uitvoeren.



WAARSCHUWING: Zorg dat u het hoofdstuk over veiligheid hebt gelezen en

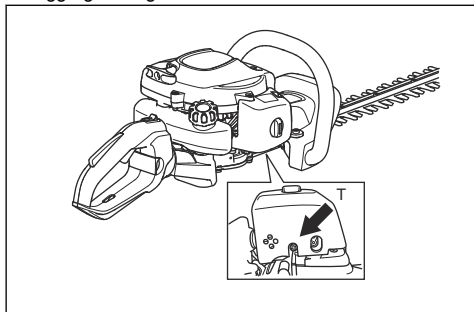
Onderhoudsschema

Onderhoud	Voor gebruik	na 40 uur	na 100 uur
Reinig het externe oppervlak.		Na elke activiteit.	
Verwijder bladeren, vuil en overtollig smeermiddel van de geluiddemper, uitlaatpijp en motor.		Na elke activiteit.	
Zorg ervoor dat de het snij-aggregaat niet beweegt bij stationair toerental.	X		
Controleer de stopschakelaar. Zie <i>De stopschakelaar controleren op pagina 120</i> .	X		
Controleer het snij-aggregaat op beschadigingen en scheuren. Vervang indien beschadigd.	X		
Controleer de handbescherming op beschadigingen en scheuren. Vervang indien beschadigd.	X		
Controleer de gashendelvergrendeling en de gashendel. Zie <i>Gashendelvergrendeling controleren op pagina 120</i> .	X		
Controleer de motor, brandstoftank en brandstofleiding op lekkages.	X		
Draai moeren en bouten aan.	X		
Reinig of vervang het vonkenscherm op de geluiddemper. Zie <i>Geluiddemper controleren op pagina 121</i> .		X	
Controleer de starter en het startkoord op beschadigingen.		X	
Controleer of de schroeven die de bladen bijeenhouden nog goed vastzitten.		X	

Onderhoud	Voor gebruik	na 40 uur	na 100 uur
Maak het luchtfilter schoon. Reinig vaker bij gebruik in stoffige omgevingen. Vervang indien beschadigd.		X	
Controleer de trillingsdempers op beschadigingen en scheuren. Vervang indien beschadigd.		X	
Reinig het externe oppervlak van de bougie en het gebied eromheen. Verwijder de bougie en meet de elektrodenafstand. Pas de elektrodenafstand aan of vervang de bougie. Zie <i>Bougie controleren op pagina 127</i> .		X	
Reinig het koelsysteem.		X	
Reinig het externe oppervlak van de carburateur en het gebied er omheen.		X	
Controleer het brandstoffilter op verontreiniging en de brandstofslang op scheuren en andere defecten. Vervang indien beschadigd.			X
Reinig het vonkenscherm op de geluiddemper en vervang het indien het is beschadigd.			X
Maak de binnenkant van de brandstoftank schoon.			X
Vervang de bougie.			X
Controleer de koppeling, de koppelingsveer en koppelingstrommel op slijtage. Laat deze door een erkende servicedealer vervangen indien ze zijn beschadigd.			X
Zorg ervoor dat het tandwielhuis is gevuld met vet.			X
Controleer alle kabels en aansluitingen.			X

Stationair toerental afstellen

1. Reinig het luchtfilter en bevestig het luchtfilterdeksel.
2. Start het product. Zie *Het product starten met een koude motor op pagina 124*.
3. Draai de stelschroef T rechtsom tot het snij-aggregaat begint te draaien.



4. Draai de stelschroef linksom tot het snij-aggregaat stopt.



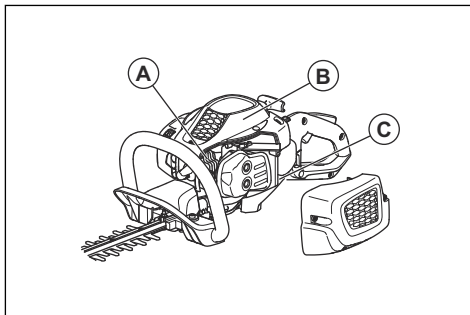
WAARSCHUWING: Als het snij-aggregaat niet stopt wanneer u het stationair toerental afstelt, neem dan contact op met uw dichtstbijzijnde servicedealer. Gebruik het product

niet voordat het is juist afgesteld of gerepareerd.

Let op: Het stationaire toerental is juist wanneer de motor in alle standen soepel draait. Zie *Technische gegevens op pagina 130* voor het aanbevolen stationair toerental.

Koelsysteem reinigen

Het koelsysteem zorgt ervoor dat de motor niet te warm wordt. Het koelsysteem omvat de koelribben op de cilinder (A), de cilinderkap (B) en de luchtinlaat via het carter (C).





OPGELET: De luchtinlaat tussen de brandstoftank en het carter kan gemakkelijk verstopt raken door bladeren. Reinig de luchtinlaat volledig.

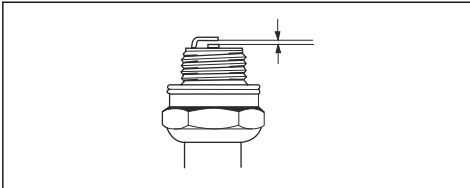
1. Maak het koelsysteem wekelijks schoon met een borstel, of vaker indien nodig.
2. Zorg ervoor dat het koelsysteem niet vuil of verstopt is.

Bougie controleren



OPGELET: Gebruik altijd het juiste bougietype. Een verkeerd type bougie kan schade aan het product veroorzaken.

- Controleer de bougie als de motor weinig vermogen heeft, niet gemakkelijk te starten is of stationair niet goed draait.
- Volg deze instructies om het risico van ongewenst materiaal op de elektroden van de bougie te beperken:
 - a) Zorg ervoor dat het stationair toerental altijd juist is afgesteld.
 - b) Zorg dat het brandstofmengsel correct is.
 - c) Zorg dat het luchtfilter schoon is.
- Maak de bougie schoon als deze vuil is en controleer of de afstand tussen de elektroden correct is, zie *Technische gegevens op pagina 130*.

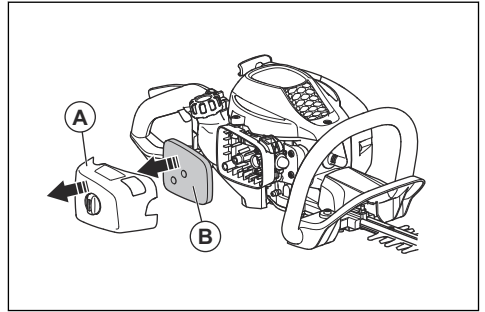


- Vervang de bougie indien nodig.

Het luchtfilter reinigen

Reinig het luchtfilter regelmatig om vuil en stof te verwijderen. Hiermee voorkomt u een defecte carburateur, startproblemen, vermogensverlies, slijtage van motoronderdelen en een hoger brandstofverbruik dan normaal.

1. Verwijder het luchtfilterdeksel (A).



2. Verwijder het luchtfilter (B) uit het filterframe.
3. Reinig het luchtfilter met een warm sopje van water en zeep.



OPGELET: Een luchtfilter dat lange tijd is gebruikt, kan niet volledig worden gereinigd. Vervang het luchtfilter regelmatig en vervang een defect luchtfilter altijd.

4. Zorg dat het luchtfilter droog is.
5. Breng olie aan op het luchtfilter. Zie *Olie aanbrengen op het schuimluchtfilter op pagina 127*.
6. Reinig het binnenoppervlak van het luchtfilterdeksel. Gebruik perslucht of een borstel.

Olie aanbrengen op het schuimluchtfilter



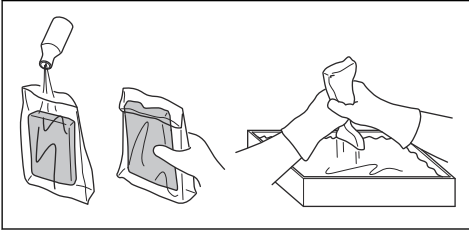
OPGELET: Gebruik altijd speciale luchtfilterolie van McCULLOCH. Gebruik geen andere typen olie.



WAARSCHUWING: Draag veiligheidshandschoenen. De olie van het luchtfilter kan huidirritatie veroorzaken.

1. Doe het schuimluchtfilter in een plastic zak.
2. Doe de olie in de plastic zak.
3. Wrijf over de plastic zak, zodat de olie gelijkmatig over het schuimluchtfilter wordt verdeeld.

4. Duw de overtollige olie uit het schuimluchtfiter terwijl het in de plastic zak zit.



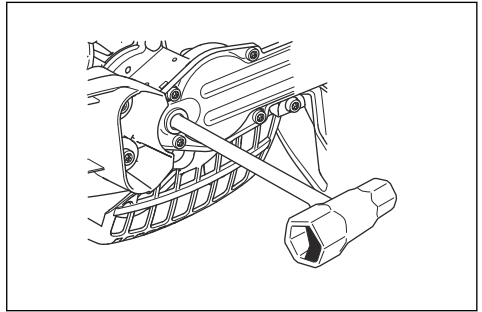
De messen reinigen en smeren

1. Verwijder ongewenste materialen van de bladen voor en nadat u het product gebruikt.
2. Smeer de bladen voorafgaand aan langdurige opslag.

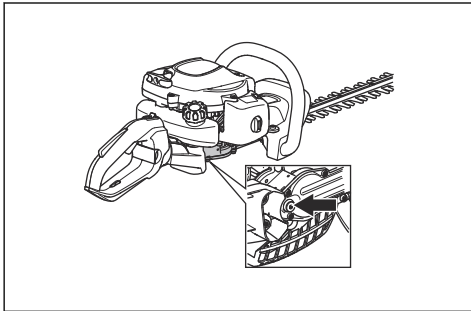
Let op: Neem voor meer informatie over aanbevolen reinigings- en smeermiddelen contact op met uw servicedealer.

De messen inspecteren

1. Verwijder de vuldop voor smeermiddel van het tandwielhuis.
2. Controleer of de messen vrij draaien. Plaats de combinatiesleutel in het tandwielhuis en draai rechtsom en linksom.



3. Controleer de randen van de messen op beschadigingen en vervorming.
4. Gebruik een vijl om bramen op de messen te verwijderen.



Voor het smeren van het tandwielhuis

- Gebruik McCULLOCH speciaalvet. Neem voor meer informatie over aanbevolen vet contact op met uw servicedealer.
- Voeg het vet toe via de vuldop voor smeermiddel op het tandwielhuis.



OPGELET: Vul het tandwielhuis niet volledig.

Probleemoplossing

Probleemoplossing

De motor start niet		
Probleem	Mogelijke oorzaak	Aanbevolen stap
Starterpallen	De starterpallen kunnen niet vrij bewegen.	Verstel of vervang de starterpallen.
		Reinig rondom de starterpallen.
		Neem contact op met een erkende servicedealer.
Brandstoftank	Verkeerd type brandstof.	Aftappen en juiste brandstof gebruiken.
Carburateur	Incorrect stationair toerental.	Pas het stationaire toerental aan.

De motor start niet		
Probleem	Mogelijke oorzaak	Aanbevolen stap
Geen vonk	De bougie is vies of nat.	Zorg ervoor dat de bougie droog en schoon is.
	Incorrecte elektrodenafstand.	Reinig de bougie. Controleer of de elektrodenafstand op de bougie juist is. Zorg ervoor dat de bougie is uitgerust met een onderdrukker. Raadpleeg <i>Technische gegevens op pagina 130</i> voor de juiste elektrodenafstand.
Bougie	De bougie zit los.	Draai de bougie vast.

De motor start, maar stopt weer		
Probleem	Mogelijke oorzaak	Aanbevolen stap
Brandstoftank	Verkeerd type brandstof.	Aftappen en juiste brandstof gebruiken.
Carburateur	Incorrect stationair toeren-tal.	Pas het stationaire toeren-tal aan. Zie <i>Stationair toeren-tal afstellen op pagina 126</i> . Neem indien nodig contact op met uw servicedealer.
Luchtfilter	Verstopt luchtfilter.	Maak het luchtfilter schoon.

Mes		
Probleem	Mogelijke oorzaken	Aanbevolen stap
Het blad beweegt langzaam of beweegt niet.	Het blad wordt geblokkeerd of is beschadigd.	Verwijder ongewenste materialen van de bladen. Zie <i>De messen reinigen en smeren op pagina 128</i> . Verwijder bramen van het blad, zie <i>De messen inspecteren op pagina 128</i> . Vervang het blad als dit beschadigd is.
Het blad heeft moeite met snijden.	Het blad is niet scherp of is beschadigd.	Slijp het blad, zie <i>De messen inspecteren op pagina 128</i> . Vervang het blad als dit beschadigd is.
Het blad wordt heet.	Er is wrijving tussen de bladen.	Verwijder bramen van het blad en smeer het blad. Zie <i>De messen inspecteren op pagina 128</i> .

Vervoer, opslag en verwerking

Transport en opslag

- Laat het product voor opslag altijd afkoelen.
- Controleer voor opslag en vervoer van het product en de brandstof of er geen lekken of dampen zijn. Vonken of open vuur, bijvoorbeeld van elektrische apparaten of ketels, kunnen tot brand leiden.
- Gebruik altijd goedgekeurde containers voor opslag en transport van brandstof.
- Leeg de brandstoftank voorafgaand aan transport of langdurige opslag. De brandstof via een geschikte verwijderingslocatie afvoeren.
- Bevestig de transportbescherming tijdens transport en opslag.
- Verwijder de bougiekap van de bougie.
- Bevestig het product tijdens transport. Zorg ervoor dat het niet kan bewegen.
- Reinig en onderhoud het product voor lange-termijnopslag.

Afvoeren

- Neem de plaatselijk geldende wet- en regelgeving in acht.
- Voer alle chemische stoffen, zoals olie of brandstof, af via een servicecentrum of een geschikt afvalverwerkingspunt.

- Lever het product in bij een goedgekeurd afvalverwerkingspunt of stuur het naar McCULLOCH voor verdere verwerking.

Technische gegevens

Technische gegevens

Technische gegevens	SUPERLITE 4528	ERGOLITE 6028
Motor		
Cilinderinhoud, cm ³	21,7	21,7
Stationair toerental, tpm	2800	2800
Aanbevolen maximum toerental, tpm	9000	9000
Maximaal motorvermogen volgens ISO 8893, kW/tpm	0,6/7800	0,6/7800
Geluiddemper met katalysator	Ja	Ja
Ontstekingsysteem		
Bougie	HQT-4 672201	HQT-4 672201
Elektrodenafstand, mm	0,5	0,5
Brandstof		
Inhoud brandstoftank, l	0,3	0,3
Gewicht		
Gewicht, kg	4,8	5,0
Geluidsemissies ²²		
Geluidsvermogeniveau, gemeten dB(A)	100	100
Geluidsvermogensniveau, gegarandeerd L _{WA} dB (A)	101	101
Geluidsniveaus ²³		
Equivalent geluidsdruk niveau bij het oor van de gebruiker, gemeten volgens EN ISO 10517, dB(A)	93	93
Trillingsniveau ²⁴		
Equivalent trillingsniveau (a _{hν,eq}) in de handgrepen, gemeten volgens EN ISO 10517, m/s ² :		

²² Geluidsemissie naar de omgeving gemeten als geluidsvermogen (L_{WA}) volgens EG-richtlijn 2000/14/EG. Het gerapporteerde geluidsvermogeniveau voor de machine is gemeten met de originele snijuitrusting die het hoogste niveau geeft. Het verschil tussen gegarandeerd en gemeten geluidsvermogen is dat het gegarandeerde geluidsvermogen ook spreiding in het meetresultaat omvat en de verschillen tussen de verschillende producten van hetzelfde model conform Richtlijn 2000/14/EG.

²³ De gerapporteerde gegevens voor het geluidsdruk niveau vertonen een typische statistische spreiding (standaardafwijking) van 1 dB (A).

²⁴ De gerapporteerde gegevens voor een trillingsniveau vertonen een typische statistische spreiding (standaardafwijking) van 1 m/s².

Technische gegevens	SUPERLITE 4528	ERGOLITE 6028
Voor/achter, m/s ²	3,5/4,4	4,1/5,2
Messen		
Type	Dubbelzijdig	Dubbelzijdig
Snijhoogte, mm	450	590
Snij snelheid, sneden/min	4050	4050

EG verklaring van overeenstemming

EU-verklaring van overeenstemming

Wij, **Husqvarna AB**, SE-561 82 Huskvarna,
Zweden, tel: +46-36-146500, verklaren onder onze
alleenverantwoordelijkheid dat het product:

Beschrijving	Heggenschaar
Merk	McCULLOCH
Type / model	SUPERLITE 4528, ERGOLITE 6028
Identificatie	Serienummers vanaf 2022 en verder

volledig voldoet aan de volgende EU-richtlijnen en
-regelgeving:

Verordening	Beschrijving
2006/42/EG	"betreffende machines"
2014/30/EU	"betreffende elektromagnetische compatibiliteit"
2000/14/EG	"betreffende de geluidsemissies in het milieu, bijlage V"
2011/65/EU	"inzake beperking van het gebruik van bepaalde gevaarlijke stoffen in elektrische en elektronische apparatuur"

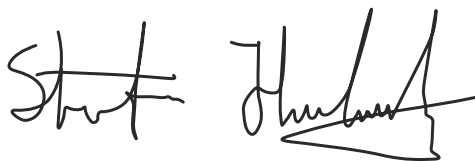
en dat de volgende normen en/of technische
specificaties zijn toegepast: EN ISO 12100:2010,
EN ISO 10517:2019, EN IEC 63000:2018, EN ISO
14982:2009.

Aangemelde instantie: RISE SMP Svensk
Maskinprovning AB,, Box 7035, SE-750 07 Uppsala,
Sweden heeft namens Husqvarna AB een niet-verplicht
typeonderzoek uitgevoerd.

Certificaatnummer: SEC/11/2327

Voor informatie over geluidsemissies, zie *Technische
gegevens op pagina 130*.

Huskvarna, 2022-02-15



Stefan Holmberg, Manager Handheld Global, Lab
Manager HH Global Services, Husqvarna AB

Verantwoordelijk voor technische documentatie

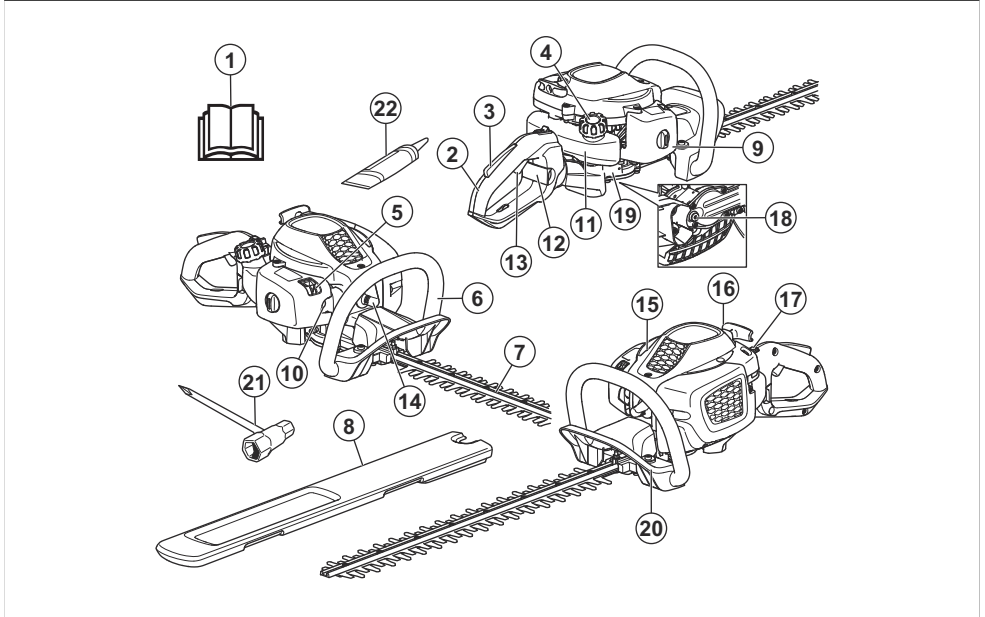


Contenido

Introducción.....	133	Resolución de problemas.....	146
Seguridad.....	134	Transporte, almacenamiento y eliminación.....	147
Funcionamiento.....	140	Datos técnicos.....	147
Mantenimiento.....	142	Declaración de conformidad CE.....	149

Introducción

Descripción del producto



1. Manual de usuario
2. Asa trasero
3. Bloqueo del acelerador
4. Tapón del depósito de combustible
5. Control del estrangulador
6. Asa delantera
7. Cuchilla y protección de la cuchilla
8. Protección para transportes
9. Tapa del filtro de aire
10. Perilla de la bomba de combustible
11. Depósito de combustible
12. Bloqueo del asa (ErgoLite)
13. Gatillo del acelerador
14. Sombrero y bujía
15. Cubierta del cilindro
16. Empuñadura de la cuerda de arranque

17. Botón de parada
18. Tapón de llenado de lubricante
19. Caja de engranajes
20. Protección para la mano
21. Llave combinada
22. Tubo de grasa

Descripción del producto

El producto es un cortasetos con motor de combustión.

Uso previsto

Utilice el producto para cortar ramas y ramitas. No utilice el producto para otras tareas.

Símbolos que aparecen en el producto



ADVERTENCIA: Este producto puede ser peligroso y ocasionar daños graves o mortales tanto al operador como a cualquier otra persona. Tenga cuidado y utilice el producto correctamente.



Lea detenidamente el manual de usuario y asegúrese de que entiende las instrucciones antes de usar la máquina.



Utilice protectores auriculares homologados y protección ocular homologada.



Utilice guantes protectores homologados.



Utilice botas de trabajo antideslizantes.



Perilla de la bomba de combustible.



Estrangulador.



Bloqueo del ajuste del mango.



Combustible.



Emisiones sonoras al medio ambiente conformes con la directiva europea 2000/14/CE y con la regulación de 2017 sobre de protección del medio ambiente (control de ruidos) (Protection of the Environment Operations - Noise Control) de la legislación de Nueva Gales del Sur. Los datos sobre las emisiones sonoras se pueden encontrar en la etiqueta de la máquina y en el capítulo Datos técnicos.



El producto cumple con las directivas CE vigentes.

aaaassxxxx

La placa de características muestra el número de serie. **aaaa** es el año de fabricación y **ss** es la semana de fabricación.

Nota: Los demás símbolos/etiquetas que aparecen en el producto corresponden a requisitos de homologación específicos en algunos mercados.

Emisiones Euro V



ADVERTENCIA: La manipulación del motor anula la homologación de la UE de este producto.

Seguridad

Definiciones de seguridad

Las advertencias, precauciones y notas se utilizan para destacar información especialmente importante del manual.



ADVERTENCIA: Indica un riesgo de lesiones o incluso de muerte del usuario o de las personas cercanas si no se respetan las instrucciones del manual.



PRECAUCIÓN: Indica un riesgo de daños en el producto, otros materiales o el área adyacente si no se respetan las instrucciones del manual.

Nota: Se usa para proporcionar más información necesaria en una situación determinada.

Instrucciones generales de seguridad



ADVERTENCIA: Lea las siguientes instrucciones de advertencia antes de utilizar el producto.

- Usar el producto de modo inadecuado o negligente puede convertirlo en una herramienta peligrosa y causar daños graves, incluso mortales. Es sumamente importante que lea y comprenda el contenido de este manual de usuario.
- Este producto genera un campo electromagnético durante el funcionamiento que puede, en determinadas circunstancias, interferir con implantes

médicos activos o pasivos. Para reducir el riesgo de que se den condiciones que provocarían lesiones graves o letales, las personas que utilicen implantes médicos deben consultar con su médico y con el fabricante del implante antes de utilizar este producto.

- La sobreexposición a las vibraciones puede provocar problemas circulatorios y dolencias de carácter nervioso, especialmente en personas con patologías circulatorias. Acuda a un médico si nota síntomas corporales que puedan relacionarse con la sobreexposición a las vibraciones. Ejemplos de tales síntomas son la pérdida de sensibilidad, el hormigueo, las "punzadas", el dolor, la pérdida o reducción de la fuerza normal o los cambios en el color y la superficie de la piel. Estos síntomas se presentan normalmente en dedos, manos y muñecas. El riesgo puede ser mayor a bajas temperaturas.
- Un silenciador o un apagachispas usado puede contener partículas de combustión cancerígenas. Evite la exposición a estos compuestos cuando manipule el silenciador o el apagachispas. Antes de manipular el silenciador o el apagachispas, lea las instrucciones de *Comprobación del silenciador en la página 138*.
- Cuando se vea en una situación insegura para continuar el trabajo, debe consultar a un experto. Póngase en contacto con su distribuidor o taller de servicio. Evite todo uso para el cual no se sienta suficientemente calificado.
- Tenga en cuenta que el usuario es responsable de los accidentes o riesgos que afecten a otras personas o a su propiedad.
- Nunca deje que otras personas utilicen el producto sin asegurarse primero de que hayan entendido el contenido de este manual de usuario.
- No permita nunca que los niños utilicen el producto ni que permanezcan cerca de este. Dado que el interruptor de parada del producto tiene retorno por muelle y se puede arrancar con poca velocidad y fuerza en la empuñadura de arranque, incluso los niños pequeños pueden, en determinadas circunstancias, lograr la fuerza necesaria para arrancar el producto. Esto puede comportar riesgo de daños personales graves. Por consiguiente, quite el sombrerete de la bujía cuando vaya a dejar la máquina sin vigilar.
- Guarde el producto lejos del alcance de los niños.
- No utilice nunca el producto si está cansado, si ha ingerido alcohol o si toma medicamentos que puedan afectarle a la vista, la capacidad de discernimiento o la coordinación.
- No utilice nunca un producto defectuoso. Siga las instrucciones de mantenimiento, control y servicio de este manual. Algunas operaciones de mantenimiento y servicio deben ser efectuadas por especialistas formados y cualificados. Consulte las instrucciones del apartado Mantenimiento.

- No utilice nunca un producto que haya sido modificado y no se corresponda con la configuración original.

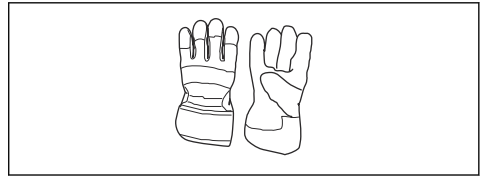
Instrucciones de seguridad para el funcionamiento



ADVERTENCIA: Lea las siguientes instrucciones de advertencia antes de utilizar el producto.

- Nunca utilice el producto en condiciones atmosféricas extremas como frío intenso o clima muy caluroso o húmedo.
- Las cuchillas defectuosas pueden aumentar el riesgo de accidentes.
- Mientras esté trabajando, evite que cualquier persona o animal se acerque a menos de 15 m (50 pies).
- Observe el entorno y asegúrese de que no haya personas o animales que puedan entrar en contacto accidentalmente con el equipo de corte.
- Inspeccione la zona de trabajo. Retire los objetos que puedan salir despedidos.
- Cerciérese siempre de tener una posición de trabajo segura y firme.
- Nunca deje el producto sin supervisión con el motor en marcha.
- Cerciérese de mantener las manos y los pies alejados de la unidad de corte mientras el motor está en marcha.
- Si las cuchillas se atascan con algún objeto durante el corte, apague primero el motor y espere a que las cuchillas se detengan completamente antes de limpiarlas. Desconecte el sombrerete de la bujía.
- Al apagar el motor, mantenga las manos y los pies alejados de la unidad de corte hasta que el motor se detenga por completo.
- Tenga cuidado con los trozos de rama que pueden salir despedidos durante el corte.
- Cuando use protectores auriculares preste siempre atención a las señales o llamadas de advertencia. Qúitese siempre la protección auricular en cuanto se detenga el motor.
- No trabaje nunca desde una escalera, taburete u otra posición elevada que no tenga un apoyo completamente seguro.
- Utilice siempre las dos manos para sostener el producto. Mantenga el producto delante del cuerpo.
- Si choca con algún objeto o si se producen vibraciones fuertes, pare el producto inmediatamente. Desconecte el sombrerete de la bujía. Compruebe que el producto no esté dañado. Repare posibles averías.
- Compruebe que el sombrerete de la bujía y el cable de encendido están en perfecto estado para evitar el riesgo de sacudida eléctrica.

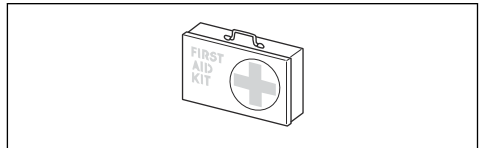
- Verifique que todas las tuercas y tornillos estén apretados.
- Asegúrese de que la caja de engranajes esté suficientemente lubricada. Consulte la sección *Para lubricar la caja de engranajes en la página 145*.
- Después de trabajar con el producto, la caja de engranajes estará caliente. No toque la caja de engranajes para evitar quemaduras.
- Todas las cubiertas y protecciones deben estar montadas antes del arranque.
- Si las cuchillas se atascan, es posible soltarlas introduciendo la llave combinada en la caja de engranajes. Introduzca la llave combinada en los engranajes y gírela hacia atrás y hacia adelante. Consulte la sección *Para lubricar la caja de engranajes en la página 145*.
- Si el producto no se utiliza, coloque siempre la protección para transportes sobre la unidad de corte.



- Utilice botas o zapatos antideslizantes y fuertes.



- Use indumentaria de material resistente. Use siempre pantalones largos y gruesos, y mangas largas. No lleve ropa suelta que pueda quedar atrapada en los arbustos y ramas. No trabaje con joyas, pantalones cortos, sandalias ni los pies descalzos. Recójase el pelo por encima de los hombros.
- Mantenga el equipo de primeros auxilios cerca.



Dispositivos de seguridad en el producto



ADVERTENCIA: Lea las siguientes instrucciones de advertencia antes de utilizar el producto.

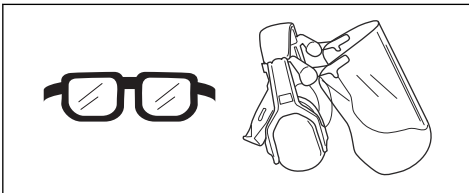
- No utilice un producto que tenga dispositivos de seguridad defectuosos.
- Realice una comprobación de los dispositivos de seguridad con frecuencia. Si los dispositivos de seguridad están defectuosos, hable con su taller de servicio McCULLOCH.

Equipo de protección personal



ADVERTENCIA: Lea las siguientes instrucciones de advertencia antes de utilizar el producto.

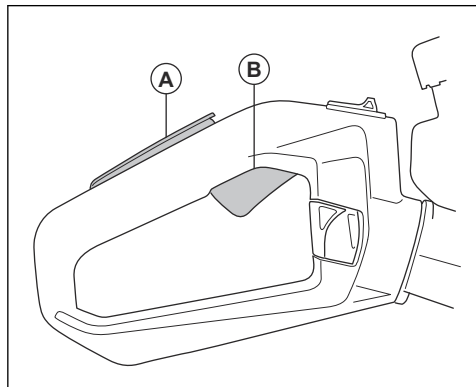
- Para trabajar con el producto, debe utilizar siempre un equipo de protección personal homologado. El equipo de protección personal no elimina completamente el riesgo de lesiones, pero reduce la gravedad de las lesiones en caso de accidente. Deje que el distribuidor le ayude a seleccionar el equipo adecuado.
- Use protectores auriculares homologados con suficiente capacidad de reducción sonora. La exposición prolongada al ruido puede causar daños crónicos en el oído.
- Utilice protección ocular homologada. Si se utiliza visor, deben utilizarse también gafas protectoras homologadas. Por gafas protectoras homologadas se entienden las que cumplen con la norma ANSI Z87.1 para EE. UU. o EN 166 para países de la UE.



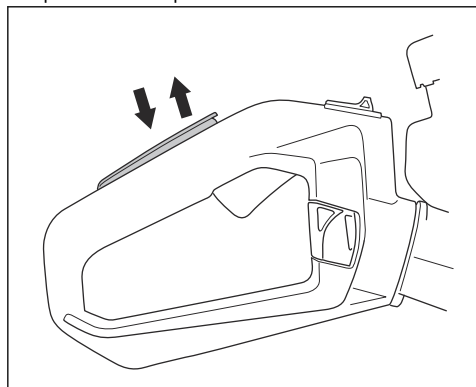
- Utilice guantes cuando sea necesario, por ejemplo, para el montaje, inspección o limpieza del equipo de corte.

Comprobación del bloqueo del acelerador

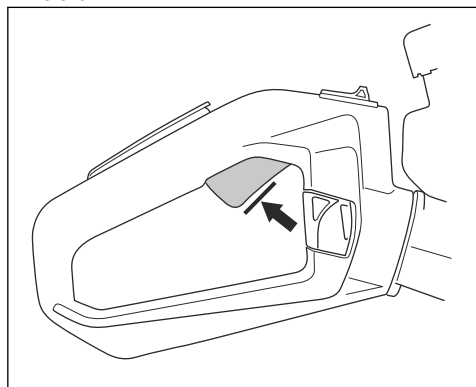
1. Compruebe que el bloqueo del acelerador (A) y el acelerador (B) se muevan con facilidad y que el muelle de retorno funcione correctamente.



2. Presione el bloqueo del acelerador y asegúrese de que vuelve a su posición inicial al soltarlo.



3. Suelte el bloqueo del acelerador y asegúrese de que el acelerador esté bloqueado en la posición de ralentí.



4. Ponga en marcha el motor y acelere al máximo.
5. Suelte el acelerador y asegúrese de que las hojas se detengan por completo.



ADVERTENCIA: Si las hojas se mueven con el acelerador en posición de ralentí, ajuste el ralentí. Consulte la sección *Para ajustar el régimen de ralentí en la página 143.*

Comprobación del interruptor de parada

1. Arranque el motor.
2. Coloque el interruptor de parada a la posición de parada y asegúrese de que el motor se detenga.



ADVERTENCIA: El interruptor de parada regresa automáticamente a la posición de arranque. Para evitar un arranque accidental, retire el sombrerete de la bujía cuando monte el producto o realice tareas de mantenimiento en él.

Comprobación de la protección para la mano

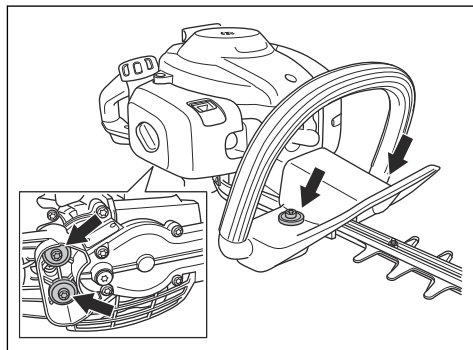
La protección para la mano impide que se produzcan lesiones por las cuchillas.

1. Pare el motor.
2. Asegúrese de que la protección para la mano está fijada correctamente.
3. Examine si hay daños en la protección para la mano.

Comprobación del sistema amortiguador de vibraciones

El sistema amortiguador de vibraciones disminuye la vibración en los mangos. Los amortiguadores de vibraciones actúan como separadores entre el cuerpo del producto y el mango.

1. Realice una comprobación visual para detectar deformaciones y daños.
2. Compruebe que los amortiguadores de vibraciones están correctamente instalados.



Comprobación del silenciador



ADVERTENCIA: No utilice el producto sin un silenciador ni con uno defectuoso. Un silenciador defectuoso puede aumentar el nivel de ruido y el riesgo de incendio. No utilice el producto sin un apagachispas ni con uno roto. Si el apagachispas sufre desperfectos, cámbielo.



ADVERTENCIA: Un silenciador o un apagachispas usado puede contener partículas de combustión cancerígenas. Utilice guantes protectores y realice las tareas de mantenimiento en un entorno bien ventilado para evitar el contacto con la piel y la inhalación de partículas cancerígenas. No utilice aire comprimido para limpiar el apagachispas; utilice un cepillo de alambre y nunca cepille en dirección a su cuerpo cuando limpie el apagachispas.



ADVERTENCIA: Los silenciadores se calientan mucho durante el funcionamiento, incluso con el motor a ralentí, y siguen estando calientes un rato después de apagar la máquina.



PRECAUCIÓN: Si el apagachispas se obstruye con frecuencia, puede ser una señal de que se ha reducido el rendimiento del catalizador. Acuda a su distribuidor para que examine el silenciador. Un apagachispas bloqueado provocará sobrecalentamiento y daños en el cilindro y el pistón.

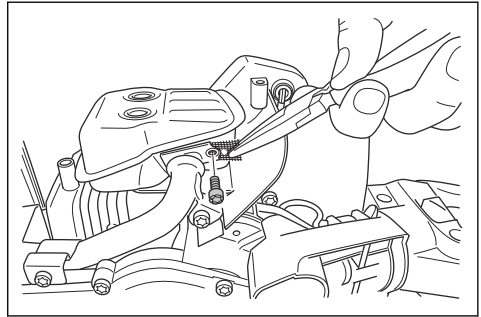


ADVERTENCIA: Las superficies internas del silenciador contienen sustancias químicas que pueden provocar cáncer. Evite el contacto con estos elementos si el silenciador resulta dañado.

El silenciador mantiene al mínimo los niveles de ruido y aparta los gases de escape del operador. Un silenciador con catalizador disminuye los gases de escape nocivos.

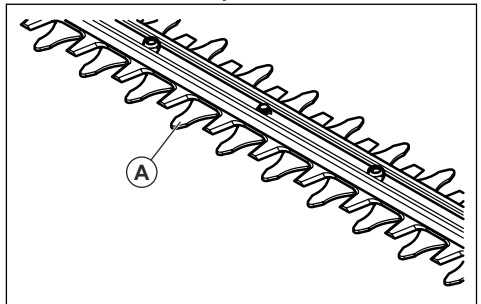
1. Pare el motor.
2. Compruebe visualmente si hay daños o deformación.
3. Compruebe que el silenciador esté firmemente montado en el producto.

4. Limpie el apagachispas con un cepillo de alambre.



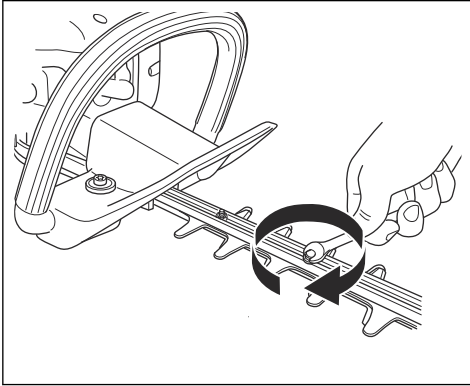
Comprobación de la hoja y la protección de la hoja

El lado exterior de las hojas (A) funciona como protección de las hojas. La protección de la hoja evita también que el usuario entre en contacto accidentalmente con la hoja.



1. Pare el motor y asegúrese de que la unidad de corte se detenga.
2. Desmonte el sombrerete de bujía de la bujía.
3. Use guantes protectores.
4. Asegúrese de que la hoja y la protección de la hoja no estén dañadas ni dobladas. Sustituya las hojas dañadas o dobladas.

5. Asegúrese de que se colocan los tornillos de la unidad de corte. Apriete los tornillos a 7-10 Nm.



Seguridad en el uso del combustible



ADVERTENCIA: Lea las siguientes instrucciones de advertencia antes de utilizar el producto.

- No arranque el producto si está manchado con combustible o aceite del motor. Retire el combustible/aceite no deseado y deje secar el producto.
- Si derrama combustible sobre la ropa, cámbiese inmediatamente.
- Evite el contacto con el combustible; puede provocar lesiones. Si entra en contacto con el combustible, utilice agua y jabón para eliminar el combustible.
- No arranque el motor si el producto tiene una fuga. Examine frecuentemente si hay fugas en el motor.
- Tenga cuidado con el combustible. El combustible es inflamable, sus vapores son explosivos y puede provocar lesiones o la muerte.
- No inhale los vapores de combustible, ya que pueden causar lesiones. Asegúrese de que hay ventilación suficiente.
- No fume cerca del combustible o el motor.
- No coloque objetos calientes cerca del combustible o el motor.
- No agregue el combustible con el motor encendido.
- Asegúrese de que el motor esté frío antes de repostar.
- Antes de repostar, abra la tapa del depósito de combustible lentamente y deje salir el exceso de presión con cuidado.

- No añada combustible al motor en interiores. Una circulación de aire insuficiente puede causar lesiones o la muerte por asfixia o inhalación de monóxido de carbono.
- Apriete el tapón del depósito de combustible completamente. Si el tapón del depósito de combustible no se aprieta, existe riesgo de incendio.
- Antes de arrancar el producto, llévalo a 3 m (10 pies) de distancia como mínimo del punto en el que llenó el depósito.
- No llene el depósito de combustible por completo. El calor hace que el combustible se expanda. Deje espacio en la parte superior del depósito de combustible.

Instrucciones de seguridad para el mantenimiento



ADVERTENCIA: Lea las siguientes instrucciones de advertencia antes de utilizar el producto.

- Pare el motor y asegúrese de que el equipo de corte se detenga. Deje que el producto se enfríe antes de llevar a cabo cualquier tarea de mantenimiento.
- Desconecte el sombrerete de bujía antes de realizar el mantenimiento.
- Los gases de escape del motor contienen monóxido de carbono, que es un gas inodoro, tóxico y muy peligroso que puede provocar la muerte. No use el producto en interiores ni en espacios cerrados.
- Los gases de escape del motor están calientes y pueden contener chispas. No haga funcionar el producto en un recinto cerrado ni cerca de material inflamable.
- Los accesorios y modificaciones en el producto que no estén aprobados por el fabricante pueden causar daños graves o la muerte. No modifique el producto. Utilice siempre accesorios originales.
- Si el mantenimiento no se realiza correctamente y de forma regular, aumenta el riesgo de lesiones y daños en el producto.
- Realice únicamente las tareas de mantenimiento que se recomiendan en este manual de usuario. Lleve el producto a un taller de servicio McCULLOCH autorizado para que realicen el resto de tareas de mantenimiento.
- Lleve el producto a un taller de servicio McCULLOCH autorizado para realizar el mantenimiento de forma regular.
- Cambie las piezas dañadas, desgastadas o rotas.

Funcionamiento

Introducción



ADVERTENCIA: Asegúrese de leer y comprender el capítulo sobre seguridad antes de usar el producto.

Carburante

Este producto tiene un motor de dos tiempos.



PRECAUCIÓN: Un tipo de combustible incorrecto puede producir daños en el motor. Utilice una mezcla de gasolina y aceite para motores de dos tiempos.

Combustible premezclado

- Utilice gasolina de alquilato premezclada McCULLOCH para mejorar el rendimiento y prolongar la vida útil del motor. Este combustible contiene menos productos químicos peligrosos que la gasolina tradicional, lo que reduce los gases de escape tóxicos. Con este combustible, se reduce la cantidad de residuos de la combustión, lo que ayuda a mejorar el nivel de limpieza de los componentes del motor.

Mezcla de combustible

Gasolina

- Utilice gasolina sin plomo de buena calidad con un máximo de un 10 % de etanol.



PRECAUCIÓN: No utilice gasolina con un octanaje inferior a 90 octanos RON (87 AKI). El uso de gasolina de un octanaje inferior puede causar golpeteo del motor, lo cual puede provocar daños en el motor.

Aceite para motores de dos tiempos

- Para obtener los mejores resultados y un rendimiento óptimo, utilice aceite para motores de dos tiempos McCULLOCH.
- Si no se dispone de aceite para motores de dos tiempos McCULLOCH, puede utilizarse un aceite para motores de dos tiempos de buena calidad para motores refrigerados por aire. Póngase en contacto con su taller de servicio para seleccionar el aceite correcto.



PRECAUCIÓN: No utilice nunca aceite para motores de dos tiempos motores fueraborda refrigerados por

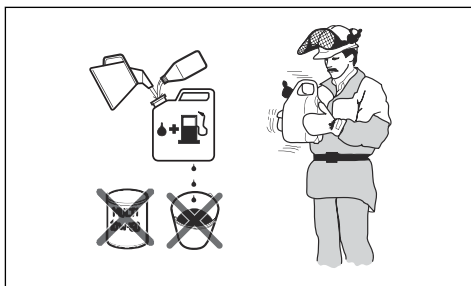
agua. No utilice aceite para motores de cuatro tiempos.

Mezcla de gasolina y aceite para motores de dos tiempos

Gasolina, litros	Aceite para motores de dos tiempos, litros
	2 % (50:1)
5	0,10
10	0,20
15	0,30
20	0,40



PRECAUCIÓN: Los errores, por pequeños que sean, pueden influir en la proporción de la mezcla considerablemente si mezcla pequeñas cantidades de combustible. Mida cuidadosamente la cantidad de aceite para asegurarse de obtener la mezcla adecuada.



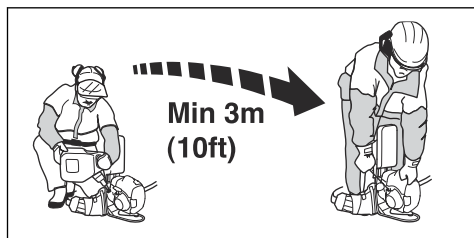
- Agregue la mitad de la cantidad de gasolina a un recipiente limpio homologado para combustible.
- Añada la cantidad total de aceite.
- Agite la mezcla de combustible.
- Añada el resto de gasolina al recipiente.
- Agite bien la mezcla de combustible.



PRECAUCIÓN: No mezcle combustible para más de 1 mes como máximo.

Llenado del depósito de combustible

1. Limpie minuciosamente alrededor de la tapa del depósito de combustible.
2. Agite el recipiente y asegúrese de que el combustible esté totalmente mezclado. Utilice un recipiente de combustible con protección antirreboso.
3. Extraiga el tapón del depósito de combustible.
4. Llene el depósito de combustible.
5. Apriete con cuidado el tapón del depósito de combustible.
6. Aparte el producto 3 m (10 ft) o más del lugar y de la fuente de repostaje antes de realizar el arranque.

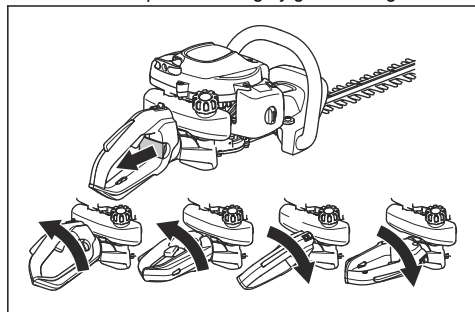


PRECAUCIÓN: La suciedad en los depósitos produce perturbaciones del funcionamiento. Limpie el depósito de combustible y el depósito de aceite para cadena con frecuencia y sustituya el filtro de combustible una vez al año o más.

Ajuste del mango (ERGOLITE 6028)

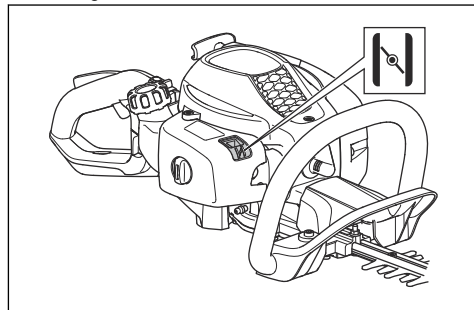
El mango trasero puede ajustarse en 5 posiciones.

- Suelte el bloqueo del mango y gire el mango.



Arranque del producto con el motor frío

1. Tire del estrangulador hasta la posición de estrangulamiento.



2. Presione la perilla de la bomba de combustible aproximadamente 6 veces o hasta que esta empiece a llenarse de combustible. No es necesario llenar completamente la perilla de la bomba de combustible.
3. Sujete el cuerpo del producto contra el suelo con la mano izquierda. No pise el producto.
4. Tire de la empuñadura de la cuerda de arranque lentamente con la mano derecha hasta que note algo de resistencia. A continuación, tire de la empuñadura de la cuerda de arranque rápidamente y con fuerza.



ADVERTENCIA: No se enrolle la cuerda de arranque alrededor de la mano.



PRECAUCIÓN: No tire de la cuerda de arranque al máximo y no suelte la empuñadura de arranque.

5. Continúe tirando de la empuñadura de la cuerda de arranque hasta que el motor arranque y, a continuación, mueva el estrangulador a su posición inicial.



ADVERTENCIA: Las hojas giran cuando arranca el motor.

6. Siga tirando de la empuñadura de la cuerda de arranque hasta que el motor arranque.
7. Presione y suelte el acelerador para que el motor esté en la posición de ralentí.
8. Presione el acelerador de forma gradual para aumentar el régimen del motor.
9. Asegúrese de que el motor funciona con suavidad.

Arranque del producto con el motor caliente

1. Sujete el cuerpo del producto contra el suelo con la mano izquierda. No pise el producto.

- Tire de la empuñadura de la cuerda de arranque lentamente con la mano derecha hasta que note algo de resistencia. A continuación, tire de la empuñadura de la cuerda de arranque rápidamente y con fuerza. Continúe hasta que el motor arranque.

Nota: Para obtener más información sobre cómo arrancar el producto, consulte la sección *Arranque del producto con el motor frío en la página 141*.

Para detener el producto

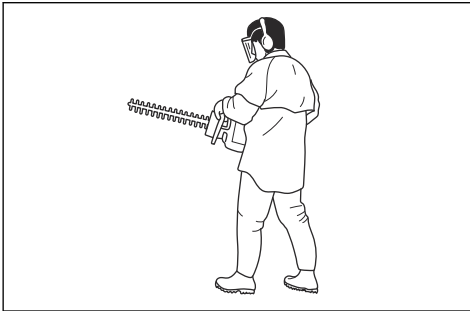
- Mueva el interruptor de parada hasta la posición de parada para detener el motor.



PRECAUCIÓN: El interruptor de parada regresa automáticamente a la posición de arranque.

Manejo del producto

- Empiece cerca del suelo y mueva el producto hacia arriba a lo largo del seto cuando corte los laterales. Tenga cuidado de que el cuerpo del producto no toque el seto.



ADVERTENCIA: Tenga cuidado de que la parte delantera del equipo de corte no toque el suelo.

- Ajuste la velocidad de acuerdo con la carga de trabajo.
- Mantenga el producto cerca de su cuerpo para una posición de trabajo estable.
- Tenga cuidado y utilice el producto lentamente.

Mantenimiento

Introducción

antes de realizar tareas de mantenimiento en el producto.



ADVERTENCIA: Asegúrese de leer y comprender el capítulo sobre seguridad

Programa de mantenimiento

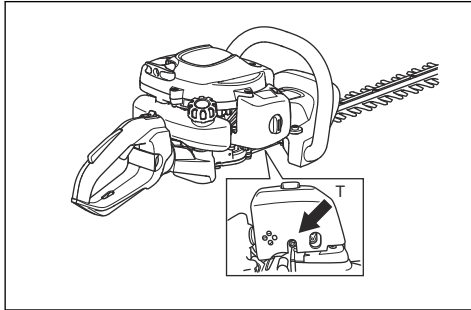
Mantenimiento	Antes del uso	Después de 40 h	Después de 100 h
Limpie la superficie externa.		Después de cada uso.	
Limpie el silenciador, el tubo de escape y el motor si hay hojas, suciedad o lubricante no deseado.		Después de cada uso.	
Asegúrese de que la unidad de corte no se mueva a ralentí.	X		

Mantenimiento	Antes del uso	Después de 40 h	Después de 100 h
Compruebe el interruptor de parada. Consulte la sección <i>Comprobación del interruptor de parada en la página 137.</i>	X		
Examine la unidad de corte para comprobar que no haya daños ni grietas. Sustituir si es necesario.	X		
Examine la protección para la mano para comprobar que no hay daños ni grietas. Sustituir si es necesario.	X		
Realice una comprobación del bloqueo del acelerador y del acelerador. Consulte la sección <i>Comprobación del bloqueo del acelerador en la página 137.</i>	X		
Examine el motor, el depósito de combustible y la manguera de combustible para detectar posibles fugas.	X		
Apriete las tuercas y los tornillos.	X		
Limpie o cambie el apagachispas del silenciador. Consulte la sección <i>Comprobación del silenciador en la página 138.</i>		X	
Examine el mecanismo de arranque y la cuerda de arranque en busca de daños.		X	
Compruebe que los tornillos que mantienen juntas las hojas estén correctamente apretados.		X	
Limpie el filtro de aire. Límpielo con más frecuencia si se utiliza en zonas donde se acumula polvo. Sustituir si es necesario.		X	
Examine los amortiguadores de vibraciones en busca de posibles daños y grietas. Sustituir si es necesario.		X	
Limpie el exterior de la bujía y la zona que la rodea. Retire la bujía y mida la distancia entre los electrodos. Ajuste la distancia entre los electrodos o sustituya la bujía. Consulte la sección <i>Para examinar la bujía en la página 144.</i>		X	
Limpie el sistema de refrigeración.		X	
Limpie el exterior del carburador y la zona alrededor del mismo.		X	
Examine el filtro de combustible para comprobar si está sucio y la manguera de combustible para ver si presenta grietas u otros defectos. Sustituir si es necesario.			X
Limpie el apagachispas del silenciador. Sustituir si es necesario.			X
Limpie la superficie interior del depósito de combustible.			X
Sustituya la bujía.			X
Inspeccione si hay desgaste en el embrague, el muelle de embrague y el tambor de embrague. Si están dañados, sustitúyalos en un taller de servicio autorizado.			X
Asegúrese de que la caja de engranajes está llena de grasa.			X
Revise todos los cables y conexiones.			X

Para ajustar el régimen de ralentí

1. Limpie el filtro de aire y coloque la cubierta del filtro de aire.
2. Arranque el producto. Consulte la sección *Arranque del producto con el motor frío en la página 141.*

- Gire el tornillo de ajuste de ralentí T hacia la derecha hasta que comience a moverse la unidad de corte.



- Gire el tornillo de ajuste de ralentí hacia la izquierda hasta que la unidad de corte se detenga.

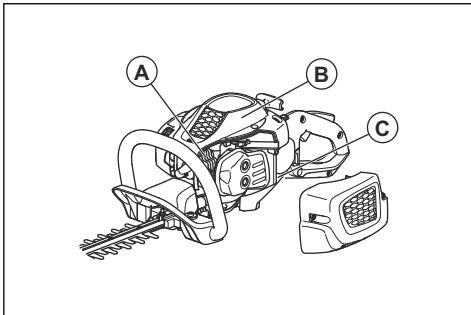


ADVERTENCIA: Si la unidad de corte no se detiene al ajustar el ralentí, acuda a su distribuidor más cercano. No utilice el producto hasta que no esté regulado o reparado correctamente.

Nota: El régimen de ralentí es correcto cuando el motor funciona con suavidad en todas las posiciones. Consulte *Datos técnicos en la página 147* para obtener información sobre el régimen de ralentí recomendado.

Para limpiar el sistema de refrigeración

El sistema de refrigeración ayuda a reducir la temperatura del motor. El sistema de refrigeración incluye las aletas de refrigeración del cilindro (A), la cubierta del cilindro (B) y la toma de aire a través del cárter (C).



PRECAUCIÓN: La toma de aire entre el depósito de combustible y el cárter se obstruye fácilmente con las hojas. Limpie en profundidad la toma de aire.

- Limpie el sistema de refrigeración con un cepillo una vez a la semana o con más frecuencia si es necesario.

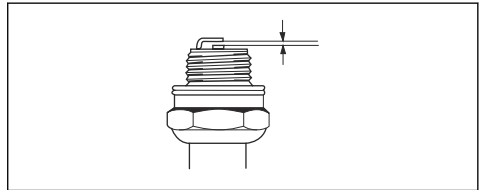
- Asegúrese de que el sistema de refrigeración no esté dañado ni obstruido.

Para examinar la bujía



PRECAUCIÓN: Utilice siempre el tipo de bujía recomendado. El uso de un tipo de bujía incorrecto puede causar averías en el producto.

- Examine la bujía si el motor tiene baja potencia, no es fácil de arrancar o no funciona correctamente al régimen de ralentí.
- Para reducir el riesgo de material no deseado en los electrodos de la bujía, siga estas instrucciones:
 - Asegúrese de que el régimen de ralentí está bien ajustado.
 - Asegúrese de que la mezcla de combustible sea correcta.
 - Asegúrese de que el filtro de aire esté limpio.
- Si la bujía está sucia, límpiela y asegúrese de que la distancia entre los electrodos sea la correcta, consulte *Datos técnicos en la página 147*.

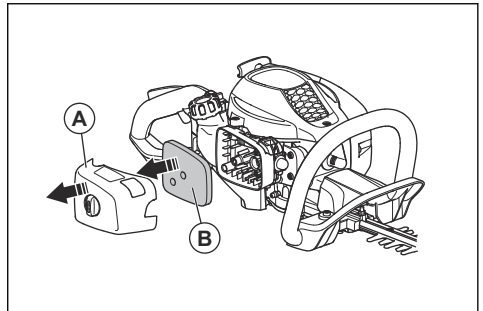


- Sustituya la bujía si fuese necesario.

Para limpiar el filtro de aire

Limpie el filtro de aire con regularidad para eliminar los restos de suciedad y polvo. De esta forma, se evitarán averías en el carburador, problemas de arranque, la pérdida de potencia del motor, el desgaste de los componentes del motor y un consumo anormalmente alto de combustible.

- Retire la cubierta del filtro de aire (A).



- Retire el filtro de aire (B) del bastidor del filtro.
- Limpie el filtro de aire con agua jabonosa tibia.



PRECAUCIÓN: Un filtro de aire que se haya utilizado durante mucho tiempo no se puede limpiar por completo. Sustituya el filtro de aire periódicamente y cambie siempre el filtro de aire si está defectuoso.

4. Asegúrese de que el filtro de aire esté seco.
5. Aplique aceite al filtro de aire. Consulte la sección *Aplicación de aceite al filtro de aire de espuma en la página 145*.
6. Limpie la superficie interior de la cubierta del filtro de aire. Utilice aire comprimido o un cepillo.

Aplicación de aceite al filtro de aire de espuma

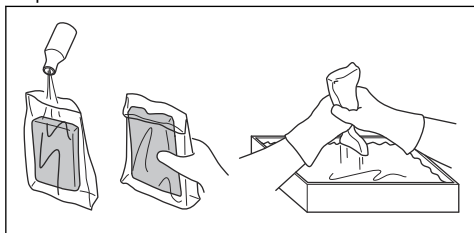


PRECAUCIÓN: Utilice siempre aceite especial para filtros de aire McCULLOCH. No utilice otros tipos de aceite.



ADVERTENCIA: Use guantes protectores. El aceite del filtro de aire puede causar irritación en la piel.

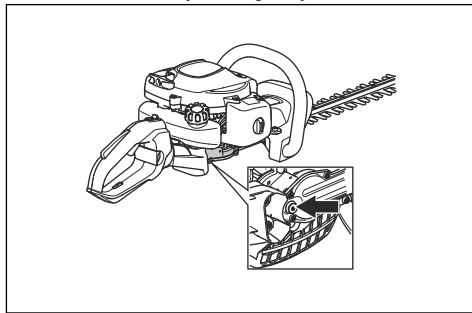
1. Coloque el filtro de aire de espuma en una bolsa de plástico.
2. Coloque el aceite en la bolsa de plástico.
3. Frote la bolsa de plástico para suministrar el aceite de forma equilibrada en el filtro de aire de espuma.
4. Empuje el aceite sobrante para sacarlo del filtro de aire de espuma mientras está en la bolsa de plástico.



Para lubricar la caja de engranajes

- Use grasa especial McCULLOCH. Póngase en contacto con su distribuidor para obtener más información sobre la grasa recomendada.

- Vierta la grasa a través del tapón de llenado de lubricante de la caja de engranajes.



PRECAUCIÓN: No llene completamente la caja de engranajes.

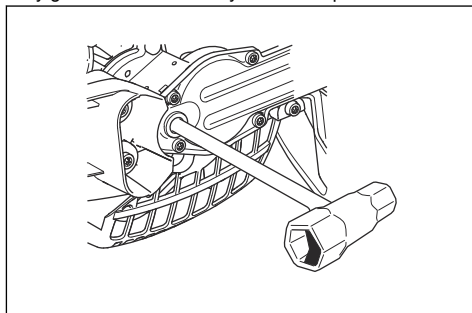
Limpieza y lubricación de las cuchillas

1. Elimine los materiales no deseados de las hojas antes y después de usar el producto.
2. Lubrique las hojas antes de guardar la máquina durante un periodo prolongado.

Nota: Póngase en contacto con su distribuidor para obtener más información sobre los productos de limpieza y los lubricantes recomendados.

Examinar las cuchillas

1. Retire el tapón de llenado de lubricante de la caja de engranajes.
2. Asegúrese de que las cuchillas giren libremente. Coloque la llave combinada en la caja de engranajes y gire hacia la derecha y hacia la izquierda.



3. Examine los bordes de las cuchillas en busca de daños y deformaciones.
4. Utilice una lima para retirar las rebabas de las cuchillas.

Resolución de problemas

Localización de fallos

El motor no arranca		
Problema	Causa posible	Acción recomendada
Ganchos de arranque	Los ganchos de arranque no pueden moverse libremente.	Ajuste o sustituya los ganchos de arranque.
		Limpie alrededor de los ganchos de arranque.
		Acuda a un centro de servicio autorizado.
Depósito de combustible	Tipo de combustible incorrecto.	Vacielo y utilice el combustible adecuado.
Carburador	Régimen de ralentí incorrecto.	Ajuste el régimen de ralentí.
No hay bujía	La bujía está sucia o mojada.	Asegúrese de que la bujía de encendido está seca y limpia.
	Distancia entre los electrodos incorrecta.	Limpie la bujía. Asegúrese de que la distancia entre los electrodos de la bujía sea correcta. Asegúrese de que la bujía está equipada con supresor.
		Consulte <i>Datos técnicos en la página 147</i> para conocer la distancia correcta entre los electrodos.
Bujía	La bujía está suelta.	Apriete la bujía.

El motor arranca pero se para de nuevo		
Problema	Causa posible	Acción recomendada
Depósito de combustible	Tipo de combustible incorrecto.	Vacielo y utilice el combustible adecuado.
Carburador	Régimen de ralentí incorrecto.	Ajuste el régimen de ralentí. Consulte la sección <i>Para ajustar el régimen de ralentí en la página 143</i> . Si es necesario, póngase en contacto con su distribuidor.
Filtro de aire	Filtro de aire obstruido.	Limpie el filtro de aire.

Cuchilla		
Problema	Posibles causas	Acción recomendada
La hoja se mueve con lentitud o no se mueve.	La hoja está bloqueada o dañada.	Elimine los materiales no deseados de las hojas. Consulte la sección <i>Limpieza y lubricación de las cuchillas en la página 145</i> . Retire las rebabas de la hoja; consulte la sección <i>Examinar las cuchillas en la página 145</i> . Sustituya la hoja si está dañada.

Cuchilla		
Problema	Posibles causas	Acción recomendada
La hoja no corta bien.	La hoja no está afilada o está dañada.	Afile la hoja; consulte la sección <i>Examinar las cuchillas en la página 145</i> . Sustituya la hoja si está dañada.
La hoja se calienta.	Hay fricción entre las hojas.	Retire las rebabas de la hoja y lubríquela. Consulte la sección <i>Examinar las cuchillas en la página 145</i> .

Transporte, almacenamiento y eliminación

Transporte y almacenamiento

- Deje siempre que se enfríe el producto antes de almacenarlo.
- Para el transporte y almacenamiento del producto y del combustible, asegúrese de que no haya fugas ni humos. Las chispas o llamas abiertas, por ejemplo, de dispositivos eléctricos o calderas, pueden producir un incendio.
- Use siempre recipientes homologados para el transporte y almacenamiento de combustible.
- Vacíe el combustible antes del transporte o antes de almacenamiento a largo plazo. Deseche el combustible en una ubicación adecuada para su eliminación.
- Fije la protección para transporte cuando vaya a guardar o a transportar el producto.

- Desmonte el sombrerete de bujía de la bujía.
- Fije el producto durante el transporte. Asegúrese de que no pueda moverse.
- Limpie el producto y efectúe las labores de servicio antes de almacenarlo durante un tiempo prolongado.

Eliminación

- Respete los requisitos locales y las normas aplicables.
- Deseche todos los productos químicos, como el aceite de motor o el combustible, en un centro de servicio o una ubicación adecuada para su eliminación.
- Deseche el producto en una ubicación adecuada para su eliminación o envíelo a McCULLOCH para su eliminación.

Datos técnicos

Datos técnicos

Datos técnicos	SUPERLITE 4528	ERGOLITE 6028
Motor		
Cilindrada, cm ³	21,7	21,7
Régimen a ralentí, rpm	2800	2800
Régimen máximo recomendado, rpm	9000	9000
Potencia máxima del motor según ISO 8893, kW/rpm	0,6/7800	0,6/7800
Silenciador con catalizador	Sí	Sí
Sistema de encendido		
Bujía	HQT-4 672201	HQT-4 672201
Distancia de electrodos, mm	0,5	0,5
Combustible		
Capacidad del depósito de combustible, l	0,3	0,3

Datos técnicos	SUPERLITE 4528	ERGOLITE 6028
Peso		
Peso, kg	4,8	5,0
Emisiones de ruido ²⁵		
Nivel de potencia acústica medido, dB(A)	100	100
Nivel de potencia acústica garantizado L _{WA} dB(A)	101	101
Niveles acústicos ²⁶		
Nivel de presión sonora equivalente en el oído del usuario, medido según EN ISO 10517, dB(A)	93	93
Niveles de vibración ²⁷		
Niveles de vibración equivalentes (a _{hv,eq}) en las asas, medidos según la norma EN ISO 10517, m/s ² :		
Delantera/trasera, mm/s ²	3,5/4,4	4,1/5,2
Cuchillas		
Tipo	Doble lado	Doble lado
Longitud de corte, mm	450	590
Velocidad de corte, cortes/min	4050	4050

²⁵ Emisiones sonoras en el entorno medidas como potencia acústica (L_{WA}) según la directiva 2000/14/CE. El nivel referido de potencia acústica del producto se ha medido con el equipo de corte original que produce el nivel más elevado. La diferencia entre la potencia sonora garantizada y medida es que la potencia sonora garantizada también incluye la dispersión en el resultado de la medición y las variaciones entre diferentes máquinas del mismo modelo, conforme a la directiva 2000/14/CE.

²⁶ Los datos referidos del nivel de presión sonora tienen una dispersión estadística habitual (desviación típica) de 1 dB (A).

²⁷ Los datos referidos del nivel de vibración tienen una dispersión estadística habitual (desviación típica) de 1 m/s².

Declaración de conformidad CE

Declaración de conformidad UE

Nosotros, **Husqvarna AB**, SE-561 82 Huskvarna (Suecia), tel. +46-36-146500, declaramos bajo nuestra exclusiva responsabilidad que el producto:

Descripción	Cortasetos
Marca	McCULLOCH
Tipo/Modelo	SUPERLITE 4528, ERGOLITE 6028
Identificación	Números de serie a partir del año 2022

Cumple las siguientes directivas y normas de la UE:

Norma	Descripción
2006/42/CE	"relativa a las máquinas"
2014/30/UE	"relativa a la compatibilidad electromagnética"
2000/14/CE	"relativa a las emisiones sonoras en el entorno, anexo V"
2011/65/UE	"relativa a restricciones de utilización de determinadas sustancias peligrosas en aparatos eléctricos y electrónicos"

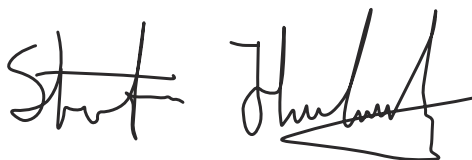
Y que se aplican las especificaciones técnicas o los estándares siguientes: EN ISO 12100:2010, EN ISO 10517:2019, EN IEC 63000:2018, EN ISO 14982:2009.

Organismo notificado: RISE SMP Svensk Maskinprovning AB,, Box 7035, SE-750 07 Uppsala, Sweden ha llevado a cabo un examen voluntario para Husqvarna AB.

Número de certificado: SEC/11/2327

Para obtener información respecto a las emisiones sonoras, consulte *Datos técnicos en la página 147*.

Huskvarna, 2022-02-15



Stefan Holmberg, Director de Handheld Global, Director de laboratorio de HH Global Services, Husqvarna AB

Responsable de la documentación técnica

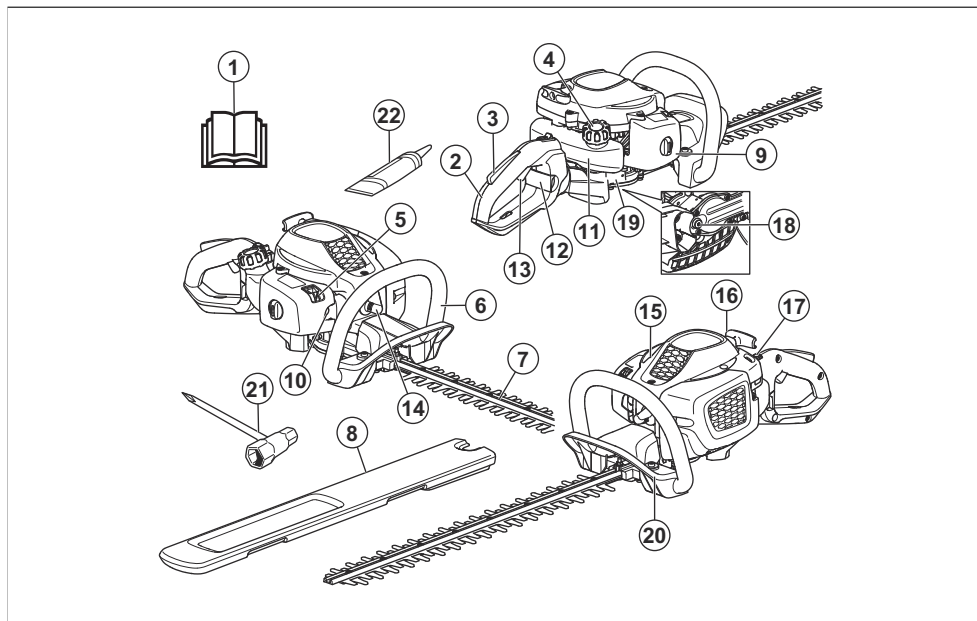


ÍNDICE

Introdução.....	150	Resolução de problemas.....	163
Segurança.....	151	Transporte, armazenamento e eliminação.....	164
Funcionamento.....	157	Especificações técnicas.....	164
Manutenção.....	159	Declaração CE de conformidade.....	166

Introdução

Vista geral do produto



- | | |
|--|---|
| 1. Manual do utilizador | 17. Interruptor Stop |
| 2. Punho traseiro | 18. Tapa do alimentador de lubrificante |
| 3. Bloqueio do acelerador | 19. Caixa de engrenagem |
| 4. Tapa do depósito de combustível | 20. Proteção das mãos |
| 5. Controlo do estrangulador | 21. Chave combinada |
| 6. Punho dianteiro | 22. Tubo de massa lubrificante |
| 7. Lâmina e proteção da lâmina | |
| 8. Proteção para transporte | |
| 9. Cobertura do filtro de ar | |
| 10. Ampola da purga de ar | |
| 11. Depósito de combustível | |
| 12. Bloqueio do punho (ErgoLite) | |
| 13. Acelerador | |
| 14. Vela de ignição e cobertura da vela de ignição | |
| 15. Cobertura do cilindro | |
| 16. Punho do cabo de arranque | |

Descrição do produto

O produto é um corta-sebes com um motor de combustão.

Finalidade

Utilize o produto para cortar ramos e galhos. Não utilize o produto para outras tarefas.

Símbolos no produto



AVISO! Este produto pode ser perigoso e provocar ferimentos graves ou a morte do operador ou de terceiros. Seja cuidadoso e utilize o produto corretamente.



Leia o manual do utilizador com atenção e certifique-se de que compreende as instruções antes de utilizar o produto.



Utilize protetores acústicos e proteção ocular aprovados.



Utilize luvas de proteção aprovadas.



Use botas antiderrapantes resistentes.



Ampola da purga de ar.



Estrangulador.



Bloqueio de ajuste do punho.



Combustível.



Emissões de ruído para o meio ambiente de acordo com a Diretiva Europeia 2000/14/CE e com o regulamento "Protection of the Environment Operations (Noise Control) Regulation 2017" (regulamento de proteção de operações no meio ambiente [controle do ruído] de 2017 da Nova Gales do Sul). Os dados das emissões de ruído podem ser encontrados na etiqueta da máquina no capítulo Especificações técnicas.



O produto está em conformidade com as diretivas CE aplicáveis.

yyyywwxxxx

A etiqueta de tipo apresenta o número de série. **yyyy** corresponde ao ano de produção e **ww** à semana de produção.

Nota: Os restantes símbolos/autocolantes existentes no produto dizem respeito às exigências de homologação de alguns países.

Emissões Euro V



ATENÇÃO: A adulteração do motor anula a aprovação deste produto pela UE.

Segurança

Definições de segurança

Os avisos, as precauções e as notas são utilizados para indicar partes especialmente importantes do manual.



ATENÇÃO: Utilizado no caso de existir risco de ferimento ou morte para o utilizador ou transeuntes, se não forem respeitadas as instruções do manual.



CUIDADO: Utilizado se existir risco de danos para o produto, para outros materiais ou para a área adjacente, se não forem respeitadas as instruções do manual.

Nota: Utilizado para disponibilizar informações adicionais necessárias numa determinada situação.

Instruções de segurança gerais



ATENÇÃO: Leia as instruções de aviso que se seguem antes de utilizar o produto.

- A utilização incorreta ou descuidada de um produto pode transformá-lo numa ferramenta perigosa que pode causar ferimentos graves ou até fatais. É de extrema importância que leia e compreenda o conteúdo deste manual do utilizador.
- Este produto produz um campo eletromagnético durante o funcionamento. Em determinadas circunstâncias, este campo pode interferir com o funcionamento de implantes médicos ativos ou passivos. Para diminuir o risco de condições que podem causar ferimentos ou morte, recomendamos que os portadores de implantes médicos consultem

o seu médico e o fabricante do implante antes de utilizar este produto.

- A sobre-exposição a vibrações pode levar a lesões arteriais ou nervosas em pessoas com problemas no sistema circulatório. Consulte um médico em caso de sintomas relacionados com a sobre-exposição a vibrações. Alguns desses sintomas são: entorpecimento, perda de sensibilidade, formigamento, pontadas, dor, perda de força, alterações na cor ou condição da pele. Estes sintomas surgem normalmente nos dedos, mãos ou pulsos. O risco dessas lesões aumenta a baixas temperaturas.
- Um silenciador e um retentor de faíscas usados podem conter partículas de combustão cancerígenas. Evite a exposição a estes compostos ao manusear o silenciador ou o retentor de faíscas. Antes de manusear o silenciador ou o retentor de faíscas, leia as instruções em *Verificar o silenciador na página 155*.
- Se tiver alguma dúvida relativa ao procedimento a seguir, entre em contacto com um técnico especialista. Contacte o seu distribuidor ou a sua oficina. Não utilize funções da máquina para as quais não está preparado.
- Tenha em atenção que o utilizador é responsável pelos acidentes e situações de perigo provocados a terceiros ou à sua propriedade.
- Nunca permita que outra pessoa utilize o produto sem estar certo de que a mesma entendeu o conteúdo do manual do utilizador.
- Nunca permita que uma criança utilize o produto ou se encontre na proximidade do mesmo. Como o produto está equipado com um interruptor Stop acionado por mola e é possível arrancá-lo com pouca força e a baixa velocidade, até crianças pequenas podem, em determinadas circunstâncias, exercer a força necessária para o arranque do produto. Isto pode implicar um risco de ferimentos graves. Por isso, retire sempre a cobertura da vela de ignição quando o produto não estiver sob vigilância.
- Mantenha o produto fora do alcance de crianças.
- Nunca utilize o produto se estiver cansado, se tiver ingerido bebidas alcoólicas ou se estiver a tomar medicação que possa afetar a visão, o discernimento ou a coordenação motora.
- Nunca utilize um produto defeituoso. Siga as instruções de manutenção, controlo e assistência técnica indicadas neste manual. Alguns serviços de manutenção e de assistência técnica têm de ser executados por especialistas formados e qualificados. Consulte as instruções na secção de manutenção.
- Nunca utilize um produto cujas especificações originais tenham sido alteradas.

Instruções de segurança para funcionamento



ATENÇÃO: Leia as instruções de aviso que se seguem antes de utilizar o produto.

- Nunca utilize o produto em condições climáticas extremas, tais como frio muito intenso ou tempo muito quente e/ou húmido.
- Lâminas defeituosas podem aumentar o risco de acidente.
- Certifique-se de que não existem pessoas ou animais a uma distância inferior a 15 m (50 pés) enquanto trabalha.
- Observe a vizinhança e certifique-se de que não há risco de pessoas ou animais entrarem em contacto com o equipamento de corte.
- Inspeccione a área de trabalho. Remova objetos que possam ser lançados.
- Certifique-se de que tem uma posição de trabalho segura e estável.
- Nunca deixe o produto sem supervisão com o motor em funcionamento.
- Tenha cuidado para que as mãos e os pés não se aproximem da unidade de corte quando o motor está a trabalhar.
- No caso de qualquer coisa ficar presa nas lâminas no decorrer do trabalho, o motor terá que ser desligado e parado completamente antes de se poder limpar as lâminas. Retire a cobertura da respetiva vela de ignição.
- Ao desligar o motor, mantenha as mãos e os pés afastados da unidade de corte até que o motor esteja totalmente parado.
- Durante a operação de corte, tome cuidado com galhos que possam ser projetados.
- Quando estiver a utilizar protetores acústicos, esteja atento a sinais de aviso ou gritos. Retire sempre os protetores acústicos assim que o motor parar.
- Nunca trabalhe de uma escada, banco ou qualquer outra posição elevada, que não seja completamente segura.
- Utilize sempre ambas as mãos para segurar o produto. Mantenha o produto à frente do corpo.
- Se tocar em qualquer objeto ou se ocorrerem vibrações, pare o produto imediatamente. Retire a cobertura da respetiva vela de ignição. Verifique se o produto não sofreu danos. Repare eventuais danos.
- Verifique se a cobertura e o cabo vela de ignição estão em bom estado para evitar o risco de choque elétrico.
- Certifique-se de que todas as porcas e os parafusos estão bem apertados.
- Certifique-se que a caixa de velocidades está corretamente lubrificada. Consulte *Para lubrificar a caixa de engrenagem na página 162*.

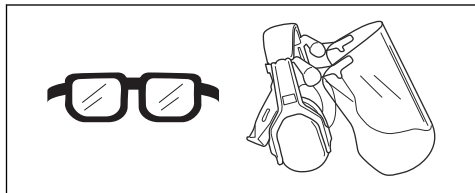
- A caixa de velocidades aquece durante a utilização do produto. Não toque na caixa de velocidades para evitar queimaduras.
- Antes de ligar a máquina é necessário instalar todas as coberturas e proteções.
- Caso as lâminas fiquem presas, podem ser soltas colocando uma chave combinada na caixa de velocidades. Prenda a chave combinada na engrenagem e rode-a para a frente e para trás. Consulte *Para lubrificar a caixa de engrenagem na página 162*.
- A proteção para transporte deve ser sempre colocada na unidade de corte quando o produto não está a ser utilizado.

Equipamento de proteção pessoal

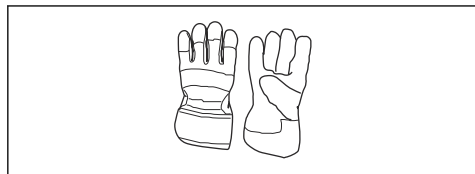


ATENÇÃO: Leia as instruções de aviso que se seguem antes de utilizar o produto.

- Utilize sempre equipamento de proteção pessoal aprovado ao utilizar o produto. O equipamento de proteção pessoal não previne totalmente os ferimentos mas diminui a respetiva gravidade em caso de acidente. Obtenha ajuda junto do seu concessionário para selecionar o equipamento certo.
- Utilize protetores acústicos aprovados com suficiente insonorização. A exposição prolongada a ruídos pode provocar danos auditivos permanentes.
- Utilize proteção ocular aprovada. Mesmo com viseira, é necessário utilizar óculos de proteção aprovados. Consideram-se óculos de proteção aprovados os que estejam conformes com a norma ANSI Z87.1 nos EUA ou EN 166 nos países da UE.



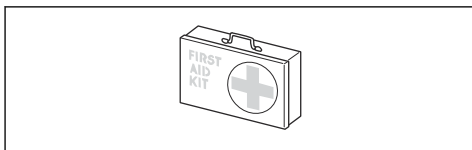
- Use luvas sempre que necessário, por exemplo, ao fixar, examinar ou limpar o acessório de corte.



- Utilize botas ou sapatos antidesslizantes e estáveis.



- Utilize vestuário fabricado com um tecido resistente. Utilize sempre calças e mangas compridas grossas. Não utilize vestuário largo que possa ficar preso em galhos e ramos. Não utilize joias, calções, nem ande de sandálias ou descalço. Coloque o seu cabelo acima dos ombros para maior segurança.
- Mantenha equipamentos de primeiros socorros sempre à mão.



Dispositivos de segurança no produto

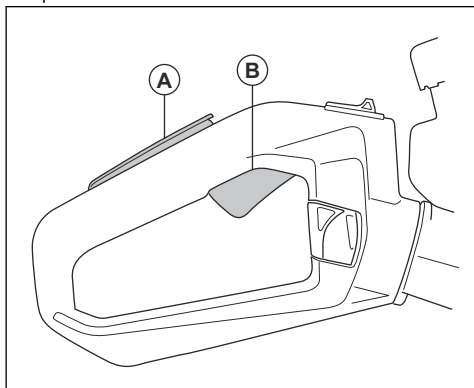


ATENÇÃO: Leia as instruções de aviso que se seguem antes de utilizar o produto.

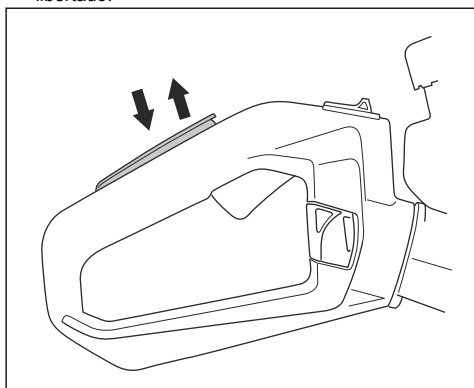
- Não utilize o produto com dispositivos de segurança defeituosos.
- Verifique regularmente os dispositivos de segurança. Se os dispositivos de segurança estiverem defeituosos, fale com a sua oficina McCULLOCH autorizada.

Verificar o bloqueio do acelerador

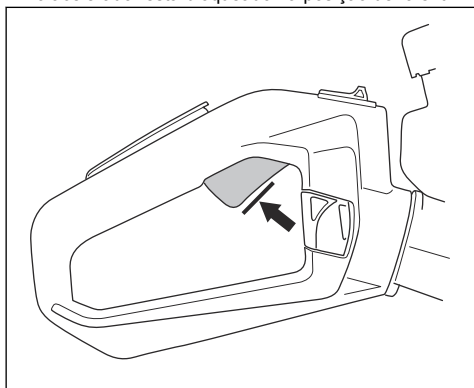
1. Certifique-se de que o bloqueio do acelerador (A) e o respetivo acelerador (B) se movem livremente e que a mola de retorno funciona corretamente.



2. Pressione o bloqueio do acelerador e certifique-se de que este regressa à sua posição inicial quando libertado.



3. Solte o bloqueio do acelerador e certifique-se de que o acelerador está bloqueado na posição de ralenti.



4. Arranque o motor e aplique aceleração total.
5. Solte o acelerador e certifique-se de que as lâminas param totalmente.



ATENÇÃO: Se as lâminas se moverem com o acelerador na posição de ralenti, ajuste o ralenti. Consulte *Ajustar o ralenti na página 160*.

Verificar o interruptor de paragem

1. Ligue o motor.
2. Coloque o interruptor de paragem na posição de paragem e certifique-se de que o motor para.



ATENÇÃO: O interruptor de paragem regressa automaticamente à posição de arranque. Para evitar arranques acidentais, retire a cobertura da vela de ignição aquando da montagem ou da manutenção do produto.

Verificar a proteção das mãos

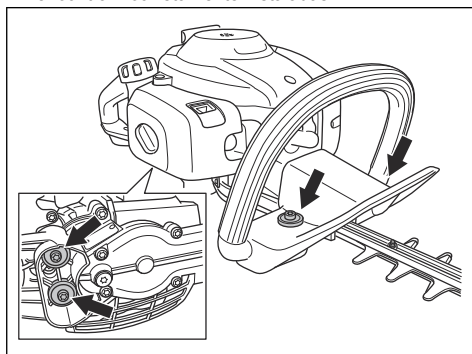
A proteção das mãos evita ferimentos causados pelas lâminas.

1. Desligue o motor.
2. Certifique-se de que a proteção das mãos está corretamente montada.
3. Examine a proteção das mãos quanto à existência de danos.

Verificar o sistema antivibração

O sistema antivibração reduz a vibração nos punhos. As unidades antivibração funcionam como uma separação entre o corpo do produto e a unidade do punho.

1. Efetue uma inspeção visual para verificar se existem deformações ou danos.
2. Certifique-se de que as unidades antivibração se encontram corretamente instaladas.



Verificar o silenciador



ATENÇÃO: Não utilize o produto sem o silenciador ou com um silenciador defeituoso. Um silenciador defeituoso pode aumentar o nível de ruído e o risco de incêndio. Não utilize o produto sem uma rede retentora de faíscas ou com uma que esteja danificada. A rede retentora de faíscas tem de ser substituída se estiver danificada.



ATENÇÃO: Um silenciador e um retentor de faíscas usados podem conter partículas de combustão cancerígenas. Use luvas de proteção e efetue a manutenção num ambiente bem ventilado para evitar o contacto com a pele e a inalação de partículas cancerígenas. Não utilize ar pressurizado para limpar o retentor de faíscas. Utilize uma escova metálica e desloque-a na direção contrária à do seu corpo ao limpar o retentor de faíscas.



ATENÇÃO: Os silenciadores aquecem muito durante e após a utilização, e também à velocidade de ralenti.



CUIDADO: Se a rede retentora de faíscas estiver frequentemente obstruída, pode ser indício de que o desempenho do catalisador está reduzido. Contacte o seu revendedor com assistência técnica para examinar o silenciador. Uma rede retentora de faíscas obstruída provoca sobreaquecimento, danificando o cilindro e o pistão.

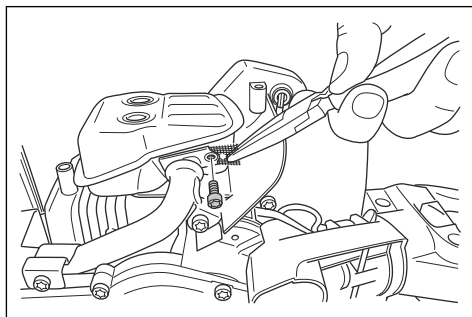


ATENÇÃO: As superfícies interiores do silenciador contêm químicos que podem provocar cancro. Tenha cuidado para não tocar nestes produtos caso o silenciador esteja danificado.

O silenciador mantém o mais baixo nível de ruído possível e afasta os gases de escape do utilizador. Um silenciador com um catalisador reduz os gases de escape nocivos.

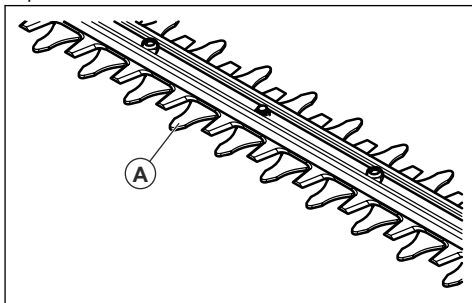
1. Desligue o motor.
2. Efetue uma inspeção visual para verificar se existem danos ou deformações.
3. Certifique-se de que o silenciador está devidamente instalado no produto.

4. Limpe a rede retentora de faíscas com uma escova metálica.



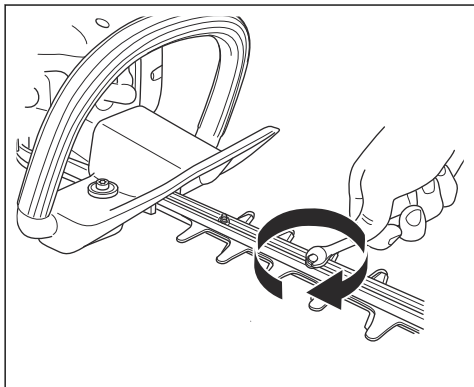
Verificar a lâmina e a proteção da lâmina

A parte exterior das lâminas (A) funciona como proteção das lâminas. A proteção da lâmina evita que o utilizador toque acidentalmente na lâmina.



1. Pare o motor e certifique-se de que a unidade de corte para.
2. Remova a cobertura da vela de ignição da vela de ignição.
3. Calce as luvas de proteção.
4. Certifique-se de que a lâmina e a proteção da lâmina não estão danificadas nem dobradas. Substitua sempre uma lâmina danificada ou dobrada.

5. Certifique-se de que os parafusos da unidade de corte estão fixos. Aperte os parafusos com um binário de 7-10 Nm.



Segurança no manuseamento do combustível



ATENÇÃO: Leia as instruções de aviso que se seguem antes de utilizar o produto.

- Não ligue o produto se houver combustível ou óleo do motor sobre o produto. Remova o combustível/óleo indesejado e deixe o produto secar.
- Se derramar combustível na sua roupa, troque de roupa imediatamente.
- Não deixe que o combustível entre em contacto com o seu corpo, pois pode causar ferimentos. Se o combustível entrar em contacto com o seu corpo, use sabão e água para o remover.
- Não ligue o produto se o motor tiver uma fuga. Examine regularmente o motor quanto a fugas.
- Tenha cuidado com o combustível. O combustível é inflamável e os gases são explosivos e podem causar ferimentos ou morte.
- Não respire os gases do combustível, podem causar ferimentos. Certifique-se de que existe um fluxo de ar suficiente.
- Não fume perto de combustível ou do motor.
- Não coloque objetos quentes perto do combustível ou do motor.
- Não acrescente combustível com o motor em funcionamento.
- Certifique-se de que o motor está frio antes de reabastecer.
- Antes de reabastecer, abra lentamente a tampa do depósito de combustível e liberte a pressão com cuidado.

- Não adicione combustível ao motor numa área interior. O fluxo de ar insuficiente pode causar ferimentos ou morte devido a asfixia ou monóxido de carbono.
- Aperte completamente a tampa de depósito de combustível. Se a tampa de depósito de combustível não estiver apertada, existe um risco de incêndio.
- Desloque o produto a uma distância mínima de 3 m (10 pés) da posição onde abasteceu o depósito antes de começar.
- Não encha totalmente o depósito de combustível. O calor provoca a expansão do combustível. Mantenha um espaço na parte superior do depósito de combustível.

Instruções de segurança para manutenção



ATENÇÃO: Leia as instruções de aviso que se seguem antes de utilizar o produto.

- Pare o motor e certifique-se de que o equipamento de corte para. Deixe o produto arrefecer antes de efetuar a manutenção.
- Retire a cobertura da vela de ignição antes de efetuar a manutenção.
- Os gases de escape do motor contêm monóxido de carbono, um gás inodoro, tóxico e altamente perigoso que pode provocar a morte. Não utilize o produto em zonas interiores ou espaços fechados.
- Os gases de escape do motor são quentes e podem conter faíscas. Não opere o produto em locais fechados ou próximo de materiais inflamáveis.
- A utilização de acessórios e a realização de alterações no produto que não sejam aprovadas pelo fabricante podem causar ferimentos graves ou morte. Não altere o produto. Utilize sempre acessórios originais.
- Se a manutenção não for realizada de forma correta e regular, existe um maior risco de ferimentos e danos ao produto.
- Realize apenas a manutenção recomendada neste manual do utilizador. A manutenção deve ser realizada por uma oficina autorizada da McCULLOCH.
- Leve o produto regularmente a uma oficina McCULLOCH autorizada para realizar a manutenção.
- Substitua as peças danificadas, gastas ou partidas.

Funcionamento

Introdução



ATENÇÃO: Certifique-se de que lê e compreende o capítulo sobre segurança antes de usar o produto.

Combustível

Este produto tem um motor de dois tempos.



CUIDADO: O tipo errado de combustível pode resultar em danos no motor. Utilize uma mistura de gasolina e óleo para motor de dois tempos.

Combustível previamente misturado

- Utilize combustível alquilado previamente misturado da McCULLOCH para obter o melhor desempenho e prolongar a vida útil do motor. Este combustível contém substâncias químicas menos nocivas em comparação com o combustível normal, o que reduz os gases de escape nocivos. A quantidade de resíduos após a combustão é inferior com este combustível, o que mantém os componentes do motor mais limpos.

Para misturar o combustível

Gasolina

- Utilize gasolina sem chumbo de boa qualidade com um conteúdo de etanol de, no máximo, 10%.



CUIDADO: Não utilize gasolina com um índice de octanas inferior a 90 RON/87 AKI. A utilização de um índice de octanas inferior pode causar batimento do motor, o que provoca danos no motor.

Óleo para motores a dois tempos

- Para obter melhores resultados e desempenho, use o óleo para motor de dois tempos da McCULLOCH.
- Se o óleo para motores de dois tempos da McCULLOCH não estiver disponível, use um óleo para motores de dois tempos de boa qualidade destinado a motores arrefecidos a ar. Entre em contacto com o seu revendedor com assistência técnica para seleccionar o óleo correto.



CUIDADO: Não use óleo para motores de dois tempos formulado para motores fora de borda arrefecidos a água, também conhecido como óleo

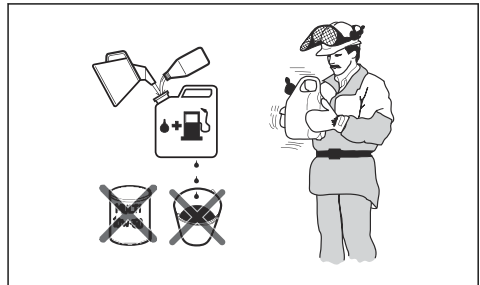
para motores fora de borda. Não utilize óleo para motores a quatro tempos.

Misturar gasolina e óleo para motores de dois tempos

Gasolina, litros	Óleo para motor de dois tempos, litros
	2% (50:1)
5	0,10
10	0,20
15	0,30
20	0,40



CUIDADO: Ao misturar pequenas quantidades de combustível, existe o risco de pequenos erros poderem influenciar drasticamente a proporção da mistura. Meça cuidadosamente a quantidade de óleo e certifique-se de que obtém a mistura correta.



- Encha metade da quantidade de gasolina num recipiente limpo para combustível.
- Adicione a quantidade total de óleo.
- Agite bem a mistura de combustível.
- Adicione a restante quantidade de gasolina ao recipiente.
- Agite cuidadosamente a mistura de combustível.

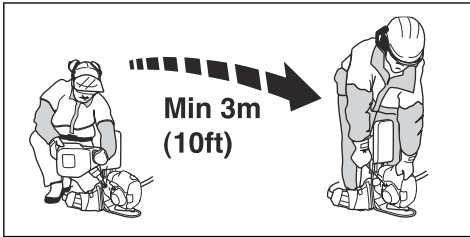


CUIDADO: Não misture combustível para mais de 1 mês de cada vez.

Para encher o depósito de combustível

- Limpe bem à volta da tampa do depósito de combustível.

2. Agite ligeiramente o recipiente e certifique-se de que o combustível fica totalmente misturado. Utilize um contentor de combustível com proteção contra enchimento excessivo.
3. Retire a tampa do depósito de combustível.
4. Encha o depósito de combustível.
5. Aperte com cuidado a tampa do depósito de combustível.
6. Antes de ligar o produto, afaste-o, no mínimo, 3 m (10 pés) da fonte de combustível e do local de abastecimento.

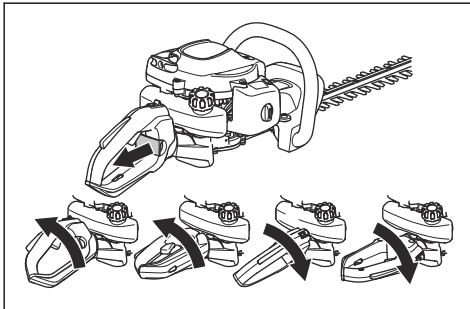


CUIDADO: Sujidades nos depósitos acarretam distúrbios no funcionamento. Limpe o depósito de combustível e o depósito de óleo de corrente regularmente, e substitua o filtro de combustível, no mínimo, uma vez por ano.

Ajustar o punho (ERGOLITE 6028)

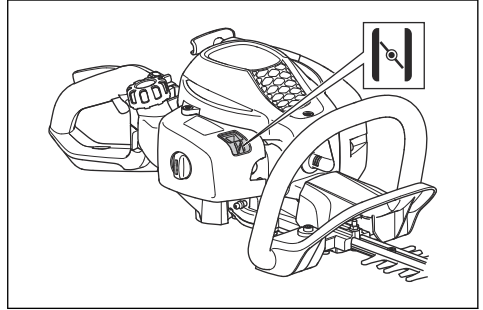
O punho traseiro pode ser ajustado para 5 posições.

- Solte o bloqueio do punho e rode o punho.



Para ligar o produto com o motor frio

1. Puxe o controlo do estrangulador para a posição de estrangulação.



2. Pressione a ampola da bomba de combustível aproximadamente 6 vezes, ou até começar a entrar combustível na ampola. Não é necessário encher a ampola da purga de ar totalmente.
3. Apoie o corpo do produto contra o solo com a mão esquerda. Não pise o produto.
4. Puxe o punho do cabo de arranque lentamente, com a mão direita, até começar a sentir alguma resistência e, em seguida, puxe o punho do cabo de arranque rapidamente e com força.



ATENÇÃO: Não enrole o cabo de arranque à volta da sua mão.



CUIDADO: Não puxe totalmente o cabo de arranque e não solte o punho do cabo de arranque.

5. Continue a puxar o punho do cabo de arranque até que o motor arranque e, em seguida, pressione o controlo do estrangulador para a respetiva posição inicial.



ATENÇÃO: As lâminas movem-se quando o motor arranca.

6. Continue a puxar o punho do cabo de arranque até que o motor arranque.
7. Prima e solte o acelerador para colocar o motor na velocidade de ralenti.
8. Empurre o acelerador gradualmente para aumentar a velocidade do motor.
9. Certifique-se de que o motor funciona sem problemas.

Para ligar o produto com o motor quente

1. Apoie o corpo do produto contra o solo com a mão esquerda. Não pise o produto.

2. Puxe o punho do cabo de arranque lentamente, com a mão direita, até começar a sentir alguma resistência e, em seguida, puxe o punho do cabo de arranque rapidamente e com força. Continue até que o motor arranque.

Nota: Para mais informações sobre como ligar o produto, consulte *Para ligar o produto com o motor frio na página 158*.

Para desligar o produto

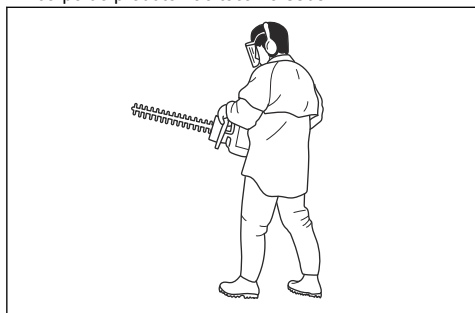
- Coloque o interruptor de paragem na posição de paragem para parar o motor.



CUIDADO: O interruptor de paragem regressa automaticamente à sua posição original.

Utilizar o produto

1. Comece perto do chão e eleve o produto ao longo da sebe ao cortar as laterais. Certifique-se de que o corpo do produto não toca na sebe.



ATENÇÃO: Certifique-se de que a dianteira do equipamento de corte não toca no chão.

2. Ajuste a velocidade de forma a alinhar com a carga de trabalho.
3. Mantenha o produto perto do corpo para uma posição de trabalho estável.
4. Tenha cuidado e utilize o produto lentamente.

Manutenção

Introdução

antes de realizar tarefas de manutenção no produto.



ATENÇÃO: Certifique-se de que leu e compreendeu o capítulo sobre segurança

Esquema de manutenção

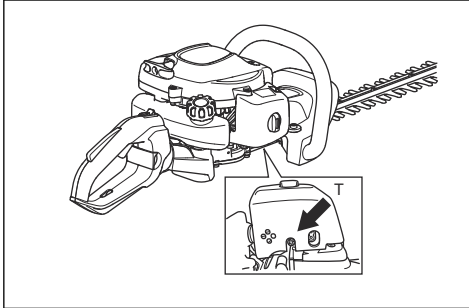
Manutenção	Antes da utilização	Após 40 h	Após 100 h
Limpe a superfície externa.		Após cada operação.	
Limpe as folhas, sujidade e excesso de lubrificante do silenciador, tubo de escape e motor.		Após cada operação.	
Certifique-se de que a unidade de corte não se move em ralenti.	X		
Verifique o interruptor Stop. Consulte <i>Verificar o interruptor de paragem na página 154</i> .	X		

Manutenção	Antes da utilização	Após 40 h	Após 100 h
Verifique se a unidade de corte apresenta danos e fissuras. Se existirem danos, substitua.	X		
Examine a proteção das mãos quanto à existência de danos e fissuras. Se existirem danos, substitua.	X		
Verifique o bloqueio do acelerador e o acelerador. Consulte <i>Verificar o bloqueio do acelerador na página 154.</i>	X		
Examine o motor, o depósito de combustível e a mangueira de combustível quanto à existência de fugas.	X		
Aperte as porcas e os parafusos.	X		
Limpe ou substitua a rede retentora de faíscas do silenciador. Consulte <i>Verificar o silenciador na página 155.</i>		X	
Verifique o dispositivo de arranque e o cabo de arranque quanto a danos.		X	
Verifique se os parafusos que mantêm as lâminas unidas estão bem apertados.		X	
Limpe o filtro de ar. Limpe com maior frequência se o produto for utilizado em áreas com poeiras. Se existirem danos, substitua.		X	
Examine as unidades antivibração quanto à existência de danos e fissuras. Se existirem danos, substitua.		X	
Limpe a superfície exterior da vela de ignição e a área circundante. Retire a vela de ignição e meça a distância entre os eletrodos. Ajuste a distância entre os eletrodos ou substitua a vela de ignição. Consulte <i>Examinar a vela de ignição na página 161.</i>		X	
Limpe o sistema de arrefecimento.		X	
Limpe a superfície exterior do carburador e a área circundante.		X	
Verifique o filtro de combustível quanto à existência de contaminação e a mangueira de combustível quanto a fissuras e outros defeitos. Se existirem danos, substitua.			X
Limpe a rede retentora de faíscas e, se estiver danificada, substitua-a.			X
Limpe a superfície interior do depósito de combustível.			X
Substitua a vela de ignição.			X
Examine se a embraiagem, a mola da embraiagem e o tambor da embraiagem apresentam sinais de desgaste. Caso existam danos, a substituição deve ser efetuada por um revendedor com assistência técnica aprovado.			X
Certifique-se de que a caixa de engrenagem está cheia de massa lubrificante.			X
Efetue uma verificação de todos os cabos e ligações.			X

Ajustar o ralenti

1. Limpe o filtro de ar e fixe a cobertura do filtro de ar.
2. Ligue o produto. Consulte *Para ligar o produto com o motor frio na página 158.*

3. Rode o parafuso de ajuste de ralenti em T para a direita até que a unidade de corte comece a mover-se.



4. Rode o parafuso de ajuste de ralenti para a esquerda até a unidade de corte parar.

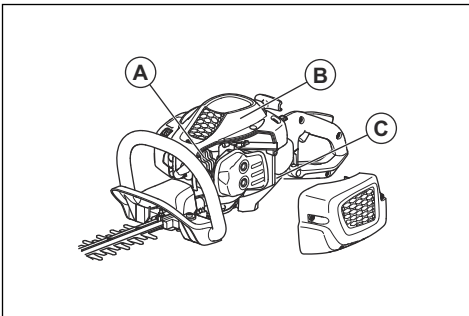


ATENÇÃO: Se a unidade de corte não parar quando ajusta o ralenti, contacte o seu revendedor de assistência mais próximo. Não utilize o produto até que esteja devidamente ajustado ou reparado.

Nota: O ralenti está correto se o motor funcionar suavemente em todas as posições. Consulte *Especificações técnicas na página 164* para obter mais informações sobre o ralenti recomendado.

Limpar o sistema de arrefecimento

O sistema de arrefecimento mantém a temperatura do motor baixa. O sistema de arrefecimento inclui as aletas de arrefecimento no cilindro (A), a cobertura do cilindro (B) e a admissão de ar através do cárter (C).



CUIDADO: A admissão de ar entre o depósito de combustível e o cárter é facilmente bloqueada por folhas. Limpe totalmente a admissão de ar.

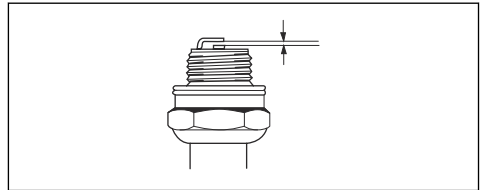
1. Limpe o sistema de arrefecimento com uma escova semanalmente ou com maior frequência se necessário.
2. Certifique-se de que o sistema de arrefecimento não está sujo ou obstruído.

Examinar a vela de ignição



CUIDADO: utilize sempre o tipo de vela de ignição recomendado. Um tipo de vela de ignição incorreto pode provocar danos no produto.

- Examine a vela de ignição para verificar se o motor apresenta uma potência reduzida ou dificuldades de arranque, ou se não funciona corretamente ao ralenti.
- Para diminuir o risco de materiais indesejados nos elétrodos da vela de ignição, siga estas instruções:
 - a) Assegure-se de que a rotação em vazio está corretamente regulada.
 - b) Certifique-se de que a mistura de combustível está correta.
 - c) Certifique-se de que o filtro de ar está limpo.
- Se a vela de ignição estiver suja, limpe-a e certifique-se de que a distância entre os elétrodos está correta; consulte *Especificações técnicas na página 164*.

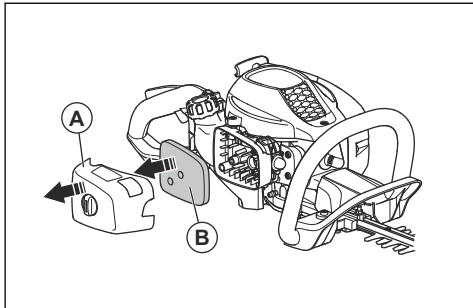


- Se for necessário, substitua a vela de ignição.

Para limpar o filtro de ar

Limpe regularmente a sujidade e a poeira presentes no filtro de ar. Isto evita avarias no carburador, problemas de arranque, perda de potência do motor, desgaste das peças do motor e um consumo de combustível superior ao habitual.

1. Retire a cobertura do filtro de ar (A).



2. Retire o filtro de ar (B) da estrutura do filtro.
3. Limpe o filtro de ar com água quente com sabão.



CUIDADO: Um filtro de ar que é utilizado durante muito tempo não pode ficar completamente limpo. Substitua o filtro de ar regularmente e substitua sempre um filtro de ar com defeito.

4. Certifique-se de que o filtro de ar está seco.
5. Aplique óleo no filtro de ar. Consulte *Aplique óleo no filtro de ar de espuma na página 162*.
6. Limpe a superfície interior da cobertura do filtro de ar. Utilize ar comprimido ou uma escova.

Aplique óleo no filtro de ar de espuma

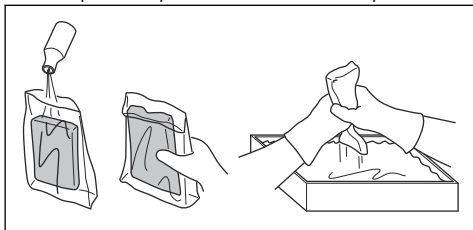


CUIDADO: Utilize sempre o óleo do filtro de ar especial da McCULLOCH. Não utilize outros tipos de óleo.



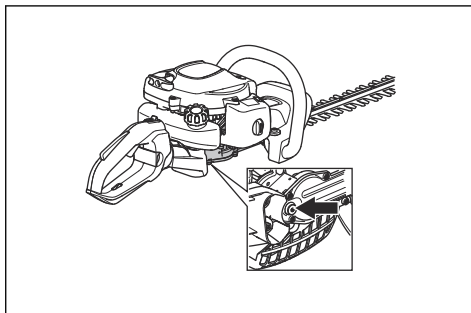
ATENÇÃO: Calce as luvas de proteção. O óleo do filtro de ar pode provocar irritações cutâneas.

1. Coloque o filtro de ar de espuma num saco de plástico.
2. Coloque o óleo no saco de plástico.
3. Esfregue o saco de plástico para distribuir o óleo uniformemente pelo filtro de ar de espuma.
4. Empurre o óleo indesejado para fora do filtro de ar de espuma enquanto estiver no saco de plástico.



Para lubrificar a caixa de engrenagem

- Utilize massa lubrificante especial McCULLOCH. Para mais informações sobre a massa lubrificante recomendada, contacte o seu revendedor com assistência técnica.
- Adicione a massa lubrificante na caixa de engrenagem através da tampa do alimentador de lubrificante.



CUIDADO: Não encha completamente a caixa de engrenagem.

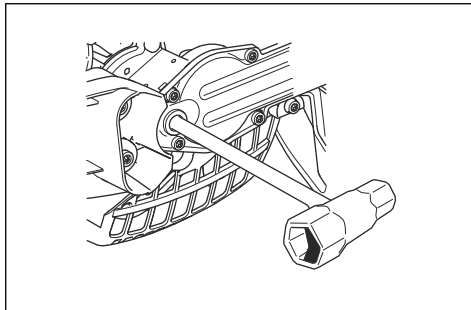
Limpar e lubrificar as lâminas

1. Limpe os materiais indesejados das lâminas antes e depois de utilizar o produto.
2. Lubrifique as lâminas antes de longos períodos de armazenamento.

Nota: Para mais informações sobre os lubrificantes e os agentes de limpeza recomendados, contacte o seu revendedor com assistência técnica.

Examinar as lâminas

1. Retire a tampa do alimentador de lubrificante da caixa de engrenagem.
2. Certifique-se de que as lâminas se movem livremente. Coloque a chave combinada na caixa de engrenagem e rode para a direita e para a esquerda.



3. Examine as extremidades das lâminas quanto à existência de danos ou deformações.

4. Utilize uma lima para retirar as rebarbas nas lâminas.

Resolução de problemas

Resolução de problemas

O motor não arranca		
Problema	Causa possível	Passo recomendado
Prendedores de arranque	Os prendedores de arranque não conseguem movimentar-se livremente.	Ajuste ou substitua os prendedores do dispositivo de arranque.
		Limpe a área em redor dos prendedores de arranque.
		Contacte um revendedor com assistência técnica aprovada.
Depósito de combustível	Tipo de combustível errado.	Purgar e utilizar o combustível correto.
Carburador	Ralenti incorreto.	Ajuste a velocidade de ralenti.
Sem faísca	A vela de ignição está suja ou molhada.	Certifique-se de que a vela de ignição está seca e limpa.
	Distância incorreta entre os eletrodos.	Limpe a vela de ignição. Certifique-se de que a distância entre os eletrodos da vela de ignição está correta. Certifique-se de que a vela de ignição está instalada com um supressor.
		Consulte <i>Especificações técnicas na página 164</i> para obter a distância entre os eletrodos correta.
Vela de ignição	A vela de ignição está solta.	Aperte a vela de ignição.

O motor arranca mas para novamente		
Problema	Causa possível	Passo recomendado
Depósito de combustível	Tipo de combustível errado.	Purgar e utilizar o combustível correto.
Carburador	Ralenti incorreto.	Ajuste a velocidade de ralenti. Consulte <i>Ajustar o ralenti na página 160</i> . Contacte o seu revendedor com assistência técnica, caso seja necessário.
Filtro de ar	Filtro de ar entupido.	Limpe o filtro de ar.

Lâmina		
Problema	Causas possíveis	Passo recomendado
A lâmina move-se lentamente ou não se move.	A lâmina está bloqueada ou danificada.	Limpe os materiais indesejados das lâminas. Consulte <i>Limpar e lubrificar as lâminas na página 162</i> . Retire as rebarbas da lâmina, consulte <i>Examinar as lâminas na página 162</i> . Substitua a lâmina, caso esteja danificada.
A lâmina não corta com facilidade.	A lâmina não está afiada ou está danificada.	Afie a lâmina, consulte <i>Examinar as lâminas na página 162</i> . Substitua a lâmina, caso esteja danificada.
A lâmina fica quente.	Existe fricção entre as lâminas.	Retire as rebarbas da lâmina e lubrifique-a. Consulte <i>Examinar as lâminas na página 162</i> .

Transporte, armazenamento e eliminação

Transporte e armazenamento

- Deixe sempre o produto arrefecer antes de o armazenar.
- Para o transporte e armazenamento do produto e do combustível, certifique-se de que não existem fugas ou fumos. Faíscas ou chamas abertas, por exemplo de dispositivos elétricos ou mesmo caldeiras, podem causar um incêndio.
- Utilize recipientes aprovados para o transporte e armazenamento de combustível.
- Esvazie o depósito de combustível antes do transporte ou do armazenamento a longo prazo. Elimine o combustível numa localização de eliminação aplicável.
- Fixe a proteção para transporte durante o transporte e armazenamento.

- Remova a cobertura da vela de ignição da vela de ignição.
- Prenda o produto durante o transporte. Certifique-se de que o produto não se move.
- Limpe e efetue a manutenção do produto antes do armazenamento a longo prazo.

Eliminação

- Respeite os regulamentos aplicáveis e os requisitos locais.
- Elimine todos os produtos químicos, como, por exemplo, óleo de motor ou combustível, num centro de assistência ou num local de eliminação aplicável.
- Elimine o produto num local de eliminação aprovado ou envie-o para McCULLOCH para eliminação.

Especificações técnicas

Especificações técnicas

Especificações técnicas	SUPERLITE 4528	ERGOLITE 6028
Motor		
Cilindrada, cm ³	21,7	21,7
Velocidade ao ralenti, rpm	2800	2800
Rotação máxima recomendada, rpm	9000	9000
Potência máxima do motor de acordo com a norma ISO 8893, kW/rpm	0,6/7800	0,6/7800
Silenciador com catalisador	Sim	Sim
Sistema de ignição		

Especificações técnicas	SUPERLITE 4528	ERGOLITE 6028
Vela de ignição	HQT-4 672201	HQT-4 672201
Distância entre os elétrodos, mm	0,5	0,5
Combustível		
Capacidade do depósito de combustível, l	0,3	0,3
Peso		
Peso, kg	4,8	5,0
Emissões de ruído ²⁸		
Nível de potência sonora, medido dB (A)	100	100
Nível de potência sonora, garantido L _{WA} dB (A)	101	101
Níveis sonoros ²⁹		
Nível de pressão sonora equivalente ao nível do ouvido do operador, medido de acordo com a norma EN ISO 10517, dB (A)	93	93
Níveis de vibração ³⁰		
Níveis de vibração equivalentes ($a_{hv,eq}$) nos punhos, medidos de acordo com a norma EN ISO 10517, m/s ² :		
Dianteiro/traseiro, mm/s ²	3,5/4,4	4,1/5,2
Lâminas		
Tipo	Duplas	Duplas
Comprimento de corte, mm	450	590
Velocidade de corte, cortes/min	4050	4050

²⁸ Emissões de ruído para as imediações, medidas sob forma de potência sonora (L_{WA}) em conformidade com a diretiva da CE 2000/14/CE. O nível de potência sonora registado para o produto foi medido com o acessório de corte original que debita o nível mais alto. A diferença entre a potência sonora garantida e medida é que a potência sonora garantida inclui também a dispersão no resultado da medição e as variações entre diferentes produtos do mesmo modelo, de acordo com a Diretiva 2000/14/CE.

²⁹ Os dados comunicados relativamente ao nível de pressão de ruído têm uma dispersão estatística típica (desvio padrão) de 1 dB (A).

³⁰ Os dados comunicados relativamente ao nível de vibração têm uma dispersão estatística típica (desvio padrão) de 1 m/s².

Declaração CE de conformidade

Declaração UE de conformidade

A **Husqvarna AB**, SE-561 82 Huskvarna, Suécia,
tel.: +46-36-146500, declara, sob sua inteira
responsabilidade, que o produto:

Descrição	Corta-sebes
Marca	McCULLOCH
Tipo/Modelo	SUPERLITE 4528, ERGOLITE 6028
Identificação	Números de série referentes a 2022 e posteriores

está em plena conformidade com as seguintes diretivas
e regulamentos da UE:

Regulamento	Descrição
2006/42/CE	"relativa a máquinas"
2014/30/UE	"relativa à compatibilidade eletromagnética"
2000/14/CE	"relativa a emissões de ruído para o ambiente, anexo V"
2011/65/UE	"relativa à restrição do uso de determinadas substâncias perigosas em equipamento elétrico e eletrônico"

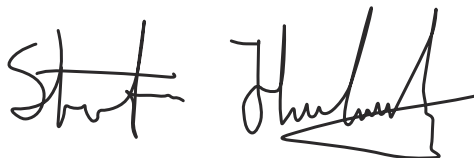
e que as seguintes normas e/ou especificações
técnicas são aplicadas: EN ISO 12100:2010, EN ISO
10517:2019, EN IEC 63000:2018, EN ISO 14982:2009.

Entidade competente: A RISE SMP Svensk
Maskinprovning AB., Box 7035, SE-750 07 Uppsala,
Sweden, efetuou o exame de tipo voluntário em nome
da Husqvarna AB.

Número do certificado: SEC/11/2327

Para mais informações sobre as emissões de ruído,
consulte *Especificações técnicas na página 164*.

Huskvarna, 2022-02-15



Stefan Holmberg, gestor da Handheld Global, gestor de
laboratório da HH Global Services, Husqvarna AB

Responsável pela documentação técnica

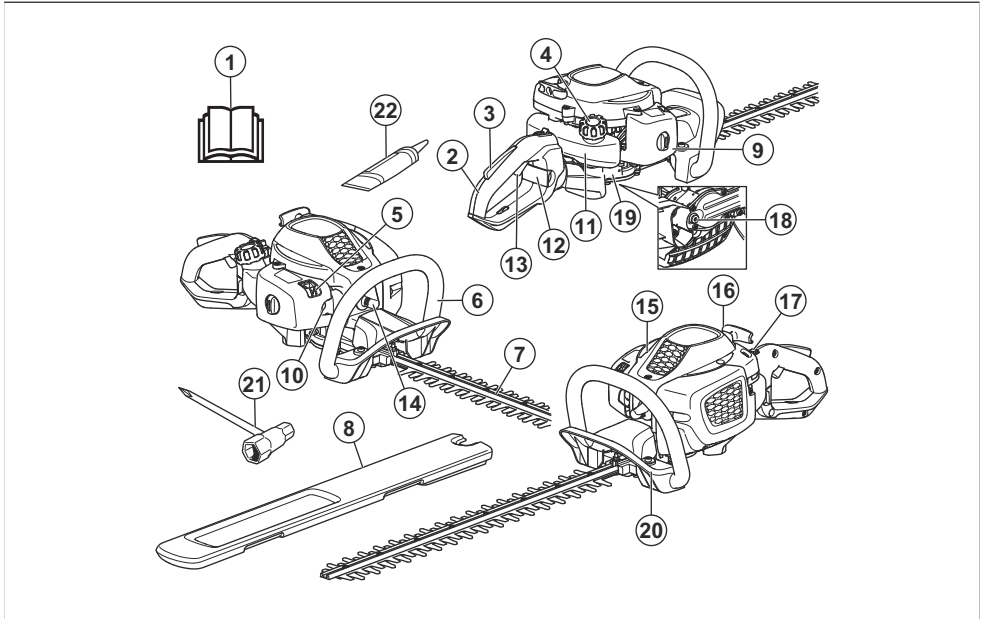


Sommario

Introduzione.....	167	Ricerca guasti.....	180
Sicurezza.....	168	Trasporto, stoccaggio e smaltimento.....	181
Utilizzo.....	174	Dati tecnici.....	181
Manutenzione.....	176	Dichiarazione di conformità CE.....	183

Introduzione

Panoramica del prodotto



1. Manuale dell'operatore
2. Impugnatura posteriore
3. Blocco del grilletto acceleratore
4. Tappo del serbatoio del carburante
5. Comando della valvola dell'aria
6. Impugnatura anteriore
7. Lama e protezione della lama
8. Protezione di trasporto
9. Coperchio del filtro dell'aria
10. Primer del carburante
11. Serbatoio del carburante
12. Blocco impugnatura (ErgoLite)
13. Grilletto acceleratore
14. Cappuccio della candela e candela
15. Coperchio del cilindro
16. Impugnatura della fune di avviamento

17. Interruttore di arresto
18. Tappo di rifornimento lubrificante
19. Scatola ingranaggi
20. Protezione della mano
21. Chiave universale
22. Tubo di lubrificazione

Descrizione del prodotto

Il prodotto è un tagliaiepi con motore a benzina.

Uso previsto

Utilizzare il prodotto per tagliare rami e ramoscelli. Non utilizzare il prodotto per altre attività.

Simboli riportati sul prodotto



AVVERTENZA! questo prodotto può essere pericoloso e causare lesioni gravi o mortali all'operatore o a terzi. Prestare attenzione e utilizzare il prodotto correttamente.



Prima dell'uso, leggere attentamente il manuale operatore e accertarsi di aver compreso le istruzioni.



Utilizzare cuffie protettive e protezione per gli occhi omologate.



Utilizzare guanti protettivi omologati.



Utilizzare robusti stivali antiscivolo.



Bulbo del primer.



Comando dell'aria



Regolazione del fermo impugnatura



Carburante.



Emissioni di rumore nell'ambiente in conformità alla Direttiva Europea 2000/14/CE e alla norma del Nuovo Galles del Sud in materia di protezione dell'ambiente "Protection of the Environment Operations (Noise Control) Regulation 2017". I dati sulle emissioni di rumore sono riportati sull'etichetta della macchina e nel capitolo Dati tecnici.



Il prodotto è conforme alle direttive CE vigenti.

aaaaassxxx

La targhetta dati di funzionamento riporta il numero di serie. **aaaa** è l'anno di produzione e **ss** è la settimana di produzione.

Nota: I restanti simboli/decalcomanie sul prodotto riguardano particolari requisiti necessari per ottenere la certificazione in alcuni mercati.

Emissioni Euro V



AVVERTENZA: La manomissione del motore rende nulla l'omologazione UE del prodotto.

Sicurezza

Definizioni di sicurezza

Le avvertenze, le precauzioni e le note sono utilizzate per evidenziare le parti importanti del manuale.



AVVERTENZA: Utilizzato se è presente un rischio di lesioni o morte dell'operatore o di passanti nel caso in cui le istruzioni del manuale non vengano rispettate.



ATTENZIONE: Utilizzato se è presente un rischio di danni al prodotto, ad altri materiali oppure alla zona adiacente nel caso in cui le istruzioni del manuale non vengano rispettate.

Nota: Utilizzato per fornire ulteriori informazioni necessarie in una determinata situazione.

Istruzioni di sicurezza generali



AVVERTENZA: Leggere le seguenti avvertenze prima di utilizzare il prodotto.

- L'uso incauto e non corretto del prodotto può essere fonte di pericoli e causare lesioni gravi o morte. È importantissimo leggere attentamente e capire queste istruzioni per l'uso.
- Durante il funzionamento, questo prodotto genera un campo elettromagnetico. Tale campo può interferire, in alcuni casi, con persone portatrici di impianti medici attivi o passivi. Per ridurre il

rischio di condizioni che possono implicare lesioni personali gravi o mortali, i portatori di tali impianti devono consultare il proprio medico e il produttore dell'impianto prima di utilizzare questo prodotto.

- La sovraesposizione alle vibrazioni può causare lesioni neuro-vascolari a chi soffre di disturbi circolatori. In caso di sintomi riferibili a sovraesposizione alle vibrazioni, contattare il medico. Esempi di questi sintomi: intorpidimento, perdita di sensibilità, formicolio, torpore, dolore, mancanza di forze, alterazioni di colore o aspetto della pelle. Tali sintomi si riscontrano soprattutto alle mani, ai polsi e alle dita. Il rischio può aumentare con le basse temperature.
- Una marmitta e un parascintille usati possono contenere particelle di combustione cancerogene. Evitare l'esposizione a questi composti quando si maneggia la marmitta e/o il parascintille. Prima di maneggiare la marmitta o il parascintille, leggere le istruzioni in *Controllo della marmitta alla pagina 172*.
- Se si è incerti riguardo a come procedere, rivolgersi a un esperto. Contattare il proprio rivenditore o l'officina di assistenza. Evitare qualsiasi lavoro per il quale non ci si sente sufficientemente qualificati.
- Tenere presente che l'operatore è responsabile di eventuali incidenti o pericoli per gli altri o le cose.
- Non consentire mai ad altri l'utilizzo del prodotto senza accertarsi che abbiano capito il contenuto del manuale operatore.
- Non consentire mai a bambini di utilizzare il prodotto o avvicinarsi a esso. Poiché la macchina è dotata di interruttore di arresto con ritorno a molla e può avviarsi a bassa velocità con una leggera trazione dell'impugnatura di avviamento, in alcune condizioni potrebbe essere avviata anche da bambini piccoli. Si rischiano pertanto gravi lesioni personali. Rimuovere quindi il cappuccio della candela quando si lascia la macchina incustodita.
- Conservare il prodotto fuori dalla portata dei bambini.
- Non usare il prodotto in condizioni di stanchezza o sotto l'effetto di alcool o medicinali in grado di compromettere il proprio stato psichico e il controllo dei propri atti.
- Non usare mai un prodotto difettoso. Seguire le istruzioni per l'uso e la manutenzione contenute nel presente manuale. Alcuni interventi di manutenzione devono essere eseguiti da personale esperto e specializzato. Fare riferimento alle istruzioni alla voce Manutenzione.
- Non usare mai un prodotto che abbia subito modifiche tali da non corrispondere più alle specifiche originali.

Istruzioni di sicurezza per il funzionamento



AVVERTENZA: Leggere le seguenti avvertenze prima di utilizzare il prodotto.

- Non usare mai il prodotto in condizioni climatiche estreme come temperature molto basse o clima estremamente caldo e/o umido.
- Delle lame difettose possono aumentare il rischio di incidenti.
- Controllare che non vi siano persone o animali in un raggio di 15 m durante il lavoro.
- Osservare l'ambiente circostante per escludere il rischio che persone o animali vengano a contatto con gli attrezzi di taglio.
- Controllare l'area di lavoro. Rimuovere gli oggetti che potrebbero venir lanciati in aria.
- Lavorare sempre in posizione sicura e stabile.
- Non lasciare mai il prodotto incustodito con il motore acceso.
- Accertarsi che mani e piedi non tocchino il gruppo di taglio a motore acceso.
- Se corpi estranei rimangono impigliati nelle lame mentre l'utensile di taglio è in funzione, spegnere il motore ed attendere che l'utensile di taglio si sia arrestato completamente prima di pulire le lame. Scollegare il cappuccio dalla candela.
- Una volta spento il motore, tenere mani e piedi lontani dal gruppo di taglio fino al suo completo arresto.
- Fare attenzione ad eventuali ramoscelli che potrebbero venir lanciati in aria durante l'operazione.
- Far sempre attenzione a segnali di allarme o chiamate quando si utilizzano le cuffie protettive. Togliere sempre le cuffie protettive immediatamente all'arresto del motore.
- Non lavorare mai su una scala, uno sgabello o in altra posizione sollevata da terra che non sia ben fissata.
- Tenere sempre il prodotto con entrambe le mani. Tenere il prodotto davanti al proprio corpo.
- In caso di collisione con un oggetto o all'insorgere di vibrazioni arrestare il prodotto immediatamente. Scollegare il cappuccio dalla candela. Controllare che il prodotto non presenti danni. Riparare eventuali guasti riscontrati.
- Accertarsi che il cappuccio della candela e il cavo di accensione non siano danneggiati per evitare il rischio di scossa elettrica.
- Controllare che tutti i dadi e le viti siano ben serrati.
- Assicurarci che la trasmissione sia opportunamente lubrificata. Fare riferimento a *Lubrificazione della scatola ingranaggi alla pagina 179*.
- Lavorando con il prodotto la trasmissione si riscalda. Evitare di toccare la trasmissione per evitare ustioni.

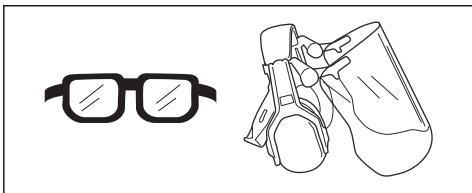
- Tutti i carter e le protezioni devono essere montati prima dell'avviamento.
- Se le lame si bloccano, possono essere allentate inserendo la chiave combinata nella trasmissione. Inserire la chiave combinata negli ingranaggi e ruotarla avanti e indietro. Fare riferimento a *Lubrificazione della scatola ingranaggi alla pagina 179*.
- Quando il prodotto non viene usato, coprire sempre il gruppo di taglio con la protezione di trasporto.

Abbigliamento protettivo personale

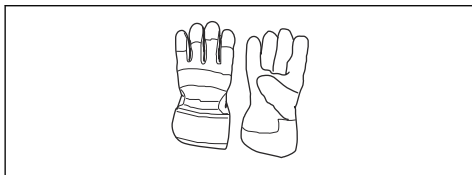


AVVERTENZA: Leggere le seguenti avvertenze prima di utilizzare il prodotto.

- Usare sempre abbigliamento protettivo personale omologato quando si utilizza il prodotto. L'uso di abbigliamento protettivo personale non elimina il rischio di lesioni, ma ne riduce la gravità in caso di incidente. Farsi consigliare dal rivenditore per la scelta dell'attrezzatura adatta.
- Usare cuffie protettive con effetto insonorizzante adeguato. Una lunga esposizione al rumore può comportare lesioni permanenti all'udito.
- Utilizzare protezioni per gli occhi omologate. Con l'uso della visiera è necessario anche l'uso di occhiali protettivi omologati. Con il termine occhiali protettivi omologati si intendono occhiali che siano conformi alle norme ANSI Z87.1 per gli USA o EN 166 per i paesi EU.



- Indossare guanti ove necessario, ad esempio per montare, ispezionare o pulire l'attrezzatura di taglio.



- Usare scarpe o stivali robusti e antidistrucchio.



- Indossare indumenti di tessuto resistente. Indossare sempre pantaloni lunghi e pesanti e maniche lunghe. Non indossare indumenti larghi che potrebbero impigliarsi nei ramoscelli e nei rami. Non indossare gioielli, pantaloni corti o sandali e non lavorare a piedi nudi. Raccogliere i capelli in modo sicuro sopra le spalle.
- Tenere a portata di mano il kit di primo soccorso.



Dispositivi di sicurezza sul prodotto

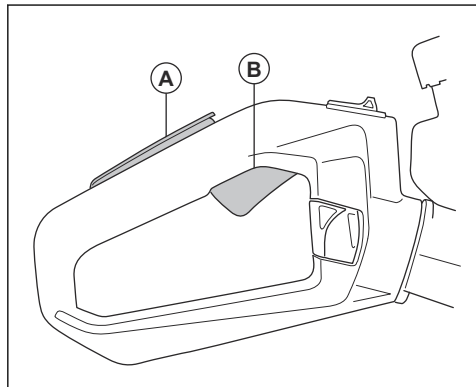


AVVERTENZA: Leggere le seguenti avvertenze prima di utilizzare il prodotto.

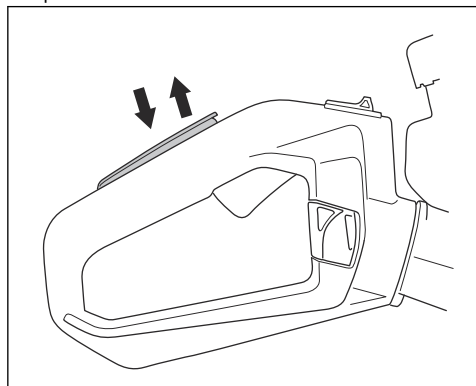
- Non utilizzare un prodotto con dispositivi di sicurezza difettosi.
- Effettuare un controllo dei dispositivi di sicurezza con regolarità. Se i dispositivi di sicurezza sono difettosi, rivolgersi alla propria officina McCULLOCH.

Controllo del blocco del grilletto acceleratore

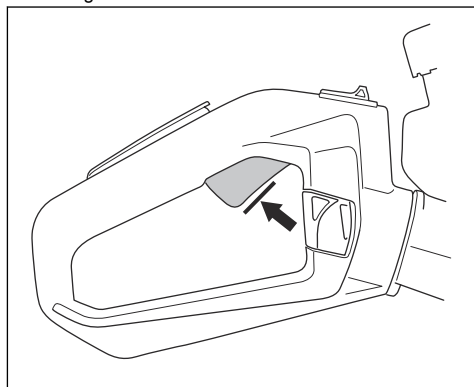
1. Controllare che il blocco del grilletto acceleratore (A) e il grilletto dell'acceleratore (B) si muovano liberamente e che la molla di richiamo funzioni correttamente.



2. Abbassare il blocco del grilletto acceleratore e accertarsi che ritorni nella sua posizione iniziale quando viene rilasciato.



3. Rilasciare il blocco del grilletto acceleratore e accertarsi che questo sia bloccato nella posizione del regime minimo.



4. Avviare il motore e accelerare al massimo.
5. Rilasciare il grilletto acceleratore e accertarsi che le lame si arrestino completamente.



AVVERTENZA: Se le lame ruotano mentre il grilletto acceleratore è nella posizione del regime minimo, regolare il regime minimo. Vedere *Regolazione del regime minimo alla pagina 177.*

Controllo dell'interruttore di arresto

1. Avviare il motore.
2. Portare l'interruttore di arresto in posizione di arresto e accertarsi che il motore si arresti.



AVVERTENZA: L'interruttore di arresto torna automaticamente nella posizione di avviamento. Per evitare l'avviamento accidentale, rimuovere il cappuccio dalla candela durante il montaggio o eseguire la manutenzione del prodotto.

Controllo della protezione della mano

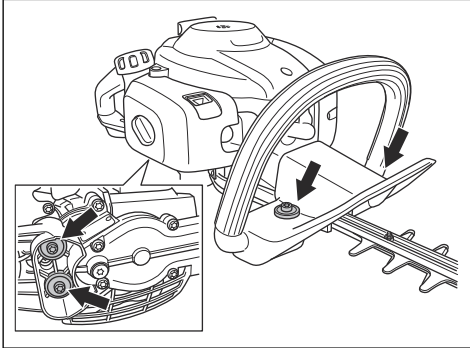
La protezione della mano impedisce che le mani possano ferirsi entrando in contatto con le lame in movimento.

1. Spegner il motore.
2. Assicurarsi che la protezione per la mano sia fissata correttamente.
3. Controllare la protezione della mano per verificare la presenza di eventuali danni

Controllo del sistema di smorzamento delle vibrazioni

Il sistema di smorzamento delle vibrazioni riduce le vibrazioni all'impugnatura. Le unità antivibranti funzionano come separazione tra il corpo del prodotto e l'impugnatura.

1. Eseguire un controllo visivo per verificare l'eventuale presenza di danni e deformazioni.
2. Assicurarsi che le unità antivibranti non siano danneggiate.



Controllo della marmitta



AVVERTENZA: Non utilizzare il prodotto senza marmitta o con marmitta difettosa. Una marmitta difettosa può aumentare il livello acustico e il rischio di incendio. Non utilizzare il prodotto senza retina parascintille o con una retina parascintille rotta. Se la retina parascintille è danneggiata, è necessario sostituirla.



AVVERTENZA: Una marmitta e un parascintille usati possono contenere particelle di combustione cancerogene. Utilizzare guanti protettivi e eseguire la manutenzione in un ambiente ben ventilato per evitare il contatto con la pelle e l'inalazione di particelle cancerogene. Non utilizzare aria compressa per pulire il parascintille. Utilizzare una spazzola metallica lontano dal proprio corpo quando si pulisce il parascintille.



AVVERTENZA: Le marmitte si scaldano notevolmente durante e dopo l'utilizzo, anche quando il motore è a regime minimo.



ATTENZIONE: Se la retina si ostruisce spesso, le prestazioni del convertitore catalitico potrebbero

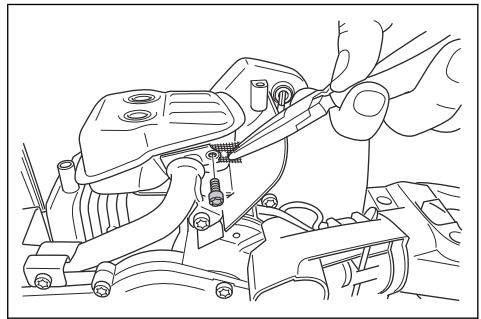
essere calate. Per un'ispezione della marmitta, contattare l'assistenza. Una retina parascintille ostruita provoca il surriscaldamento della macchina con conseguenti danni a cilindro e pistone.



AVVERTENZA: Le superfici interne della marmitta contengono sostanze chimiche che possono causare il cancro. Fare attenzione a non toccare queste sostanze se la marmitta è danneggiata.

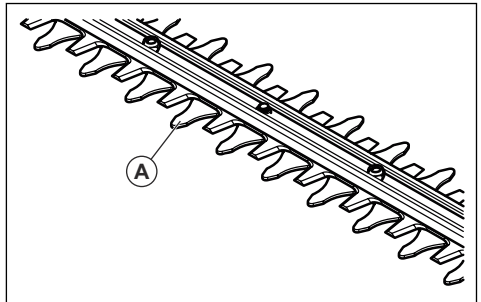
La marmitta assicura il minimo livello acustico e allontana i fumi di scarico dall'operatore. La marmitta con convertitore catalitico riduce i gas di scarico nocivi.

1. Spegnerne il motore.
2. Eseguire un controllo visivo per verificare l'eventuale presenza di danni e deformazioni.
3. Assicurarsi che la marmitta sia saldamente fissata al prodotto.
4. Pulire la retina parascintille con una spazzola metallica.



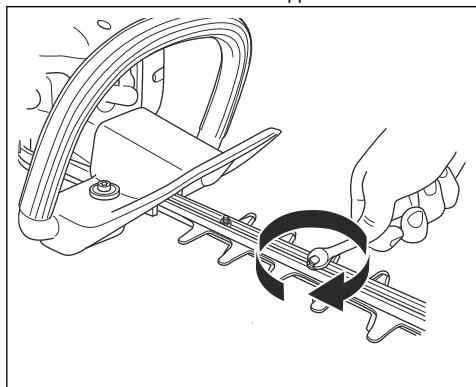
Controllo della lama e della protezione lama

La parte esterna delle lame (A) ha una funzione di protezione della lama. La protezione lama impedisce che l'operatore venga accidentalmente a contatto con la lama.



1. Arrestare il motore e accertarsi che il gruppo di taglio si arresti.

2. Rimuovere il cappuccio dalla candela.
3. Indossare guanti protettivi.
4. Accertarsi che la lama e la protezione lama non siano danneggiate o incrinate. Sostituire sempre una lama danneggiata o piegata.
5. Accertarsi che le viti del gruppo di taglio siano ben fissate. Serrare le viti a una coppia di 7-10 Nm.



Sicurezza nell'uso del carburante



AVVERTENZA: Leggere le seguenti avvertenze prima di utilizzare il prodotto.

- Non avviare il prodotto nel caso in cui vi sia carburante o olio motore su di esso. Rimuovere il carburante/olio indesiderato e lasciare che il prodotto si asciughi.
 - In caso di perdite di carburante sugli indumenti, cambiarsi immediatamente.
 - Il carburante non deve arrivare a contatto con il corpo, poiché può causare lesioni. In caso di contatto del carburante con il corpo, rimuoverlo con acqua e sapone.
 - Non avviare il prodotto se il motore presenta una perdita. Esaminare regolarmente il motore per verificare la presenza di eventuali perdite.
 - Prestare la massima attenzione con il carburante. Il carburante è infiammabile e i fumi sono esplosivi quindi possono causare lesioni o morte.
 - Non respirare i fumi del carburante perché possono causare lesioni. Accertarsi che ci sia un flusso d'aria sufficiente.
 - Non fumare in prossimità del carburante o del motore.
 - Non posizionare oggetti caldi in prossimità del carburante o del motore.
 - Non aggiungere carburante a motore acceso.
- Assicurarsi che il motore sia freddo prima di effettuare il rifornimento.
 - Prima di effettuare il rifornimento, aprire lentamente il tappo del serbatoio del carburante e rilasciare la pressione con cautela.
 - Non aggiungere carburante al motore in un ambiente chiuso. Un flusso d'aria insufficiente può causare lesioni o la morte dovute ad asfissia o al monossido di carbonio.
 - Stringere completamente il tappo del serbatoio del carburante. Se il tappo del serbatoio carburante non è serrato, vi è il rischio di incendio.
 - Prima dell'avviamento, spostare il prodotto di almeno 3 m/10 ft dal punto in cui è stato riempito il serbatoio del carburante.
 - Non riempire completamente il serbatoio del carburante. Il calore provoca l'espansione del carburante. Lasciare dello spazio nella parte superiore del serbatoio del carburante.



AVVERTENZA: Leggere le seguenti avvertenze prima di utilizzare il prodotto.

- Arrestare il motore e assicurarsi che l'attrezzatura di taglio si arresti. Attendere che il prodotto si raffreddi prima di eseguire la manutenzione.
- Rimuovere il cappuccio dalla candela prima di eseguire la manutenzione.
- I fumi di scarico del motore contengono monossido di carbonio, un gas inodore, velenoso e altamente pericoloso che può causare la morte. Non far funzionare il prodotto in ambienti chiusi o in spazi angusti.
- I fumi di scarico del motore sono molto caldi e possono contenere scintille. Non mettere in funzione il prodotto in ambienti chiusi o vicino a materiale infiammabile.
- Accessori e modifiche apportate al prodotto che non siano stati approvati dal costruttore possono causare gravi lesioni, anche fatali. Non apportare modifiche al prodotto. Utilizzare sempre accessori originali.
- Se la manutenzione non viene eseguita correttamente e con regolarità, vi è un aumento nel rischio di lesioni personali e danni al prodotto.
- Eseguire unicamente la manutenzione consigliata in questo manuale operatore. Rivolgersi a un'officina McCULLOCH autorizzata per tutti gli altri interventi.
- Rivolgersi a un'officina McCULLOCH autorizzata per far svolgere regolarmente interventi di manutenzione sul prodotto.
- Sostituire le parti danneggiate, usurate o rotte.

Utilizzo

Introduzione



AVVERTENZA: Leggere e comprendere il capitolo sulla sicurezza prima di utilizzare la macchina.

Carburante

Questo prodotto è dotato di un motore a due tempi.



ATTENZIONE: Un carburante di tipo errato può causare danni al motore. Utilizzare una miscela di benzina e olio per motori a due tempi.

Carburante premiscelato

- Utilizzare carburante alchilato premiscelato McCULLOCH per garantire le migliori prestazioni e prolungare la durata del motore. Questo carburante contiene sostanze chimiche meno pericolose rispetto al normale carburante, che riduce le emissioni di scarico pericolose. Con questo carburante, che mantiene i componenti del motore più puliti, la quantità di residui dopo la combustione è inferiore.

Per miscelare il carburante

Benzina

- Utilizzare benzina senza piombo di buona qualità con massimo il 10% di etanolo.



ATTENZIONE: Non utilizzare benzina con un numero di ottani inferiore a 90 RON/87 AKI. Un numero inferiore di ottani può causare il battito in testa del motore, che provoca danni al motore.

Olio per motori a due tempi

- Per risultati e prestazioni ottimali, utilizzare l'olio per motori a due tempi McCULLOCH.
- Se l'olio per motori a due tempi McCULLOCH non è disponibile, utilizzare un olio per motori a due tempi raffreddati ad aria di buona qualità. Rivolgetevi al vostro rivenditore addetto all'assistenza per selezionare il tipo di olio.



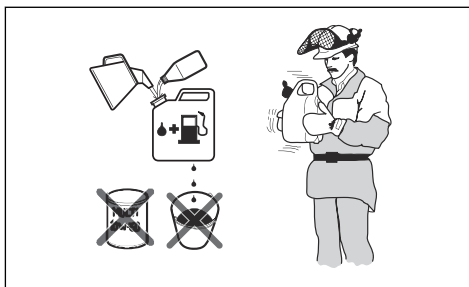
ATTENZIONE: Non usare mai olio per motori fuoribordo a due tempi raffreddati ad acqua. Non utilizzare olio per motori a quattro tempi.

Per miscelare benzina e olio per motori a due tempi

Benzina, litri	Olio a due tempi, litri
	2% (50:1)
5	0,10
10	0,20
15	0,30
20	0,40



ATTENZIONE: Piccoli errori possono influenzare drasticamente il rapporto della miscela quando si miscelano piccole quantità di carburante. Misurare con precisione la quantità d'olio e accertarsi di ottenere la giusta miscela.



- Riempire metà della quantità di benzina in un contenitore pulito per carburante.
- Aggiungere la quantità totale di olio.
- Miscelare la miscela.
- Aggiungere la quantità residua di benzina nel contenitore.
- Miscelare agitando con cura la miscela di carburante.

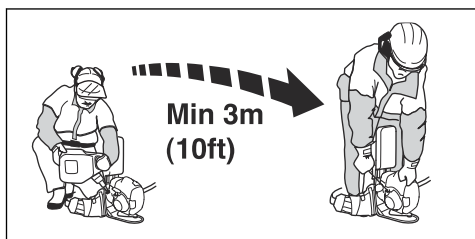


ATTENZIONE: Non mescolare il carburante più di 1 volta al mese.

Rifornimento di carburante

- Pulire l'area intorno al tappo del serbatoio del carburante.
- Agitare il contenitore e assicurarsi che il carburante sia ben mescolato. Utilizzare una tanica di carburante con protezione anti-traboccamento.
- Rimuovere il tappo del serbatoio del carburante.

- Riempire il serbatoio del carburante.
- Stringere con cura il tappo del serbatoio del carburante.
- Spostare il prodotto ad almeno 3 m (10 ft) dal luogo e dalla fonte di rifornimento prima della messa in moto.

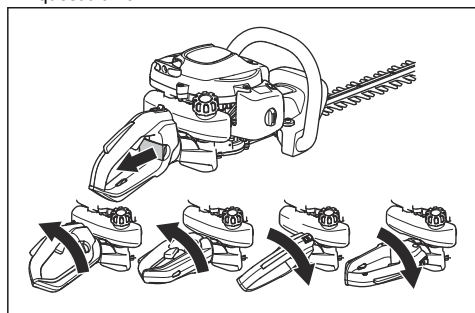


ATTENZIONE: La presenza di impurità nel serbatoio può causare problemi di funzionamento. Pulire regolarmente i serbatoi del carburante e dell'olio della catena e sostituire il filtro del carburante almeno una volta l'anno.

Regolazione dell'impugnatura(ERGOLITE 6028)

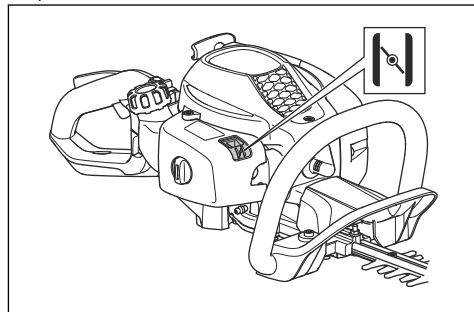
L'impugnatura posteriore può essere regolata in 5 posizioni.

- Rilasciare il blocco dell'impugnatura e ruotare quest'ultima.



Avvio del prodotto con il motore freddo

- Portare il comando della valvola dell'aria nella posizione di starter.



- Premere il primer del carburante circa 6 volte o fino a quando non comincia a riempirsi di carburante. Non è necessario riempire il primer del carburante completamente.
- Mantenere il corpo del prodotto a terra con la mano sinistra. Non salire sul prodotto.
- Tirare l'impugnatura della fune di avviamento lentamente con la mano destra fino ad avvertire una leggera resistenza, quindi tirare l'impugnatura con forza.



AVVERTENZA: Non avvolgere il cavo di avviamento attorno alla mano.



ATTENZIONE: Non tirare la fune di avviamento a estensione completa e non lasciare andare l'impugnatura della fune di avviamento.

- Continuare a tirare la fune di avviamento finché non si avvia il motore, quindi premere il comando della valvola dell'aria nella posizione di starter.



AVVERTENZA: Le lame girano quando si avvia il motore.

- Continuare a tirare la fune di avviamento finché il motore non si avvia.
- Premere e rilasciare il grilletto acceleratore per portare il motore al regime minimo.
- Spingere gradualmente il comando dell'acceleratore per aumentare la velocità del motore.
- Assicurarsi che il motore funzioni regolarmente.

Avvio del prodotto con motore caldo

- Mantenere il corpo del prodotto a terra con la mano sinistra. Non salire sul prodotto.

- Tirare l'impugnatura della fune di avviamento lentamente con la mano destra fino ad avvertire una leggera resistenza, quindi tirare l'impugnatura con forza. Continuare l'operazione finché il motore non si accende.

Nota: Per ulteriori informazioni su come avviare il prodotto, fare riferimento a *Avvio del prodotto con il motore freddo alla pagina 175*.

Arresto del prodotto

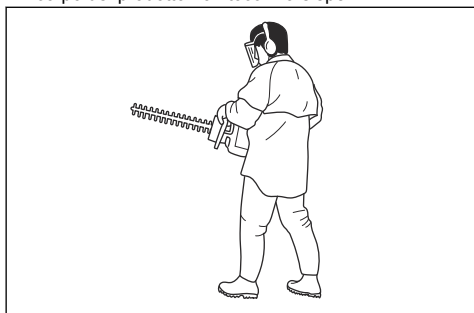
- Spostare l'interruttore di arresto in posizione di arresto per spegnere il motore.



ATTENZIONE: L'interruttore di arresto torna automaticamente nella posizione di funzionamento.

Utilizzo del prodotto

- Iniziare da terra e spostare il prodotto verso l'alto lungo la siepe se si tagliano i lati. Assicurarsi che il corpo del prodotto non tocchi la siepe.



AVVERTENZA: Assicurarsi che la parte anteriore dell'attrezzatura di taglio non tocchi il terreno.

- Regolare la velocità da allineare al carico di lavoro.
- Tenere il prodotto vicino al corpo per una posizione di lavoro stabile.
- Prestare attenzione e utilizzare il prodotto lentamente.

Manutenzione

Introduzione

prima di eseguire la manutenzione del prodotto.



AVVERTENZA: Leggere attentamente il capitolo sulla sicurezza

Programma di manutenzione

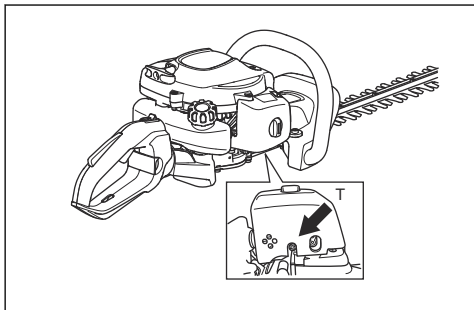
Manutenzione	Prima dell'utilizzo	Dopo 40 ore	Dopo 100 ore
Pulire la superficie esterna.	Dopo ogni utilizzo.		
Rimuovere foglie, sporcizia e grasso superfluo dalla marmitta, dal tubo di scarico e dal motore.	Dopo ogni utilizzo.		
Accertarsi che il gruppo di taglio non ruoti al regime minimo.	X		

Manutenzione	Prima dell'utilizzo	Dopo 40 ore	Dopo 100 ore
Effettuare un controllo dell'interruttore di arresto. Fare riferimento a <i>Controllo dell'interruttore di arresto alla pagina 171.</i>	X		
Controllare se il gruppo di taglio presenta danni o incrinature. Sostituirli, in caso di danni.	X		
Esaminare la protezione per la mano per rilevare eventuali danni o incrinature. Sostituirli, in caso di danni.	X		
Effettuare un controllo del blocco del grilletto acceleratore e del grilletto stesso. Fare riferimento a <i>Controllo del blocco del grilletto acceleratore alla pagina 171.</i>	X		
Esaminare il motore, il serbatoio del carburante e il tubo pescante per accertare eventuali perdite.	X		
Serrare dadi e viti.	X		
Pulire o sostituire la rete parascintille sulla marmitta. Fare riferimento a <i>Controllo della marmitta alla pagina 172.</i>		X	
Esaminare il motorino di avviamento e la corda di avviamento per rilevare eventuali danni.		X	
Controllare che le viti che fissano le lame siano serrate correttamente.		X	
Pulire il filtro dell'aria. Pulire con maggiore frequenza se il prodotto viene utilizzato in aree polverose. Sostituirli, in caso di danni.		X	
Controllare se le unità antivibranti presentano danni o incrinature. Sostituirli, in caso di danni.		X	
Pulire la superficie esterna della candela e la zona circostante. Rimuovere la candela e misurare la distanza tra gli elettrodi. Regolare la distanza tra gli elettrodi o sostituire la candela. Fare riferimento a <i>Per esaminare la candela alla pagina 178.</i>		X	
Pulire il sistema di raffreddamento.		X	
Pulire la superficie esterna del carburatore e la zona circostante.		X	
Verificare la presenza di eventuali contaminanti nel filtro del carburante e che il tubo pescante non presenti incrinature o altri difetti. Sostituirli, in caso di danni.			X
Se la retina parascintille è danneggiata, pulirla.			X
Pulire la superficie interna del serbatoio del carburante.			X
Sostituire la candela.			X
Verificare l'usura della frizione, della molla della frizione e del tamburo della frizione. In caso di danni, rivolgersi a un tecnico autorizzato per la sostituzione.			X
Assicurarsi che la scatola ingranaggi sia piena di grasso.			X
Effettuare un controllo di tutti i cavi e i collegamenti.			X

Regolazione del regime minimo

1. Pulire il filtro dell'aria e fissare il coperchio del filtro dell'aria.
2. Avviare il prodotto. Vedere *Avvio del prodotto con il motore freddo alla pagina 175.*

3. Girare la vite a T di regolazione del minimo in senso orario fino a quando il gruppo di taglio non comincia a ruotare.



4. Ruotare la vite di regolazione del minimo in senso antiorario fino a quando il gruppo di taglio non si arresta.

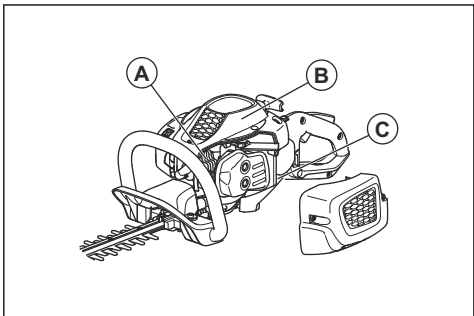


AVVERTENZA: Se il gruppo di taglio non si ferma quando si regola il regime del motore al minimo, rivolgersi al più vicino centro assistenza. Non usare il prodotto prima di aver eseguito le necessarie regolazioni o riparazioni.

Nota: Il regime minimo è corretto quando il motore funziona regolarmente in tutte le posizioni. Vedere *Dati tecnici alla pagina 181* per il regime del minimo consigliato.

Pulizia del sistema di raffreddamento

Il sistema di raffreddamento mantiene bassa la temperatura del motore. Il sistema di raffreddamento include le alette di raffreddamento del cilindro (A), il coperchio del cilindro (B) e la presa d'aria sul carter motore (C).



ATTENZIONE: La presa d'aria tra il serbatoio del carburante e il carter motore si ostruisce facilmente a causa delle foglie. Pulire a fondo la presa dell'aria.

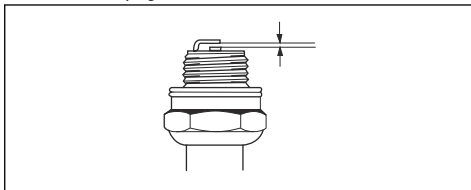
1. Pulire il sistema di raffreddamento con una spazzola settimanalmente o più spesso se le condizioni lo richiedono.
2. Accertarsi che il sistema di raffreddamento non sia sporco o ostruito.

Per esaminare la candela



ATTENZIONE: Usare candele originali o del tipo raccomandato. Un tipo di candela errato può danneggiare il prodotto.

- Controllare la candela nel caso in cui il motore giri a bassa potenza, risulti difficile da avviare o non funzioni correttamente al regime minimo.
- Per ridurre il rischio di accumulo di materiale superfluo sugli elettrodi delle candele, osservare le seguenti istruzioni:
 - a) Accertarsi che il regime minimo sia regolato correttamente.
 - b) Accertarsi che la miscela sia corretta.
 - c) Accertarsi che il filtro dell'aria sia pulito.
- Se la candela è incrostante, pulirla e controllare che la distanza tra gli elettrodi sia corretta; vedere *Dati tecnici alla pagina 181*.

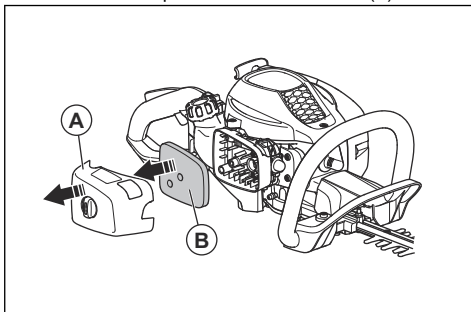


- Sostituire la candela secondo necessità.

Pulizia del filtro dell'aria.

Pulire regolarmente il filtro dell'aria dallo sporco e dalla polvere. In questo modo si evitano malfunzionamenti del carburatore, problemi di avviamento, calo di potenza del motore, usura dei componenti del motore e più consumo di carburante rispetto al normale.

1. Rimuovere il coperchio del filtro dell'aria (A).



2. Rimuovere il filtro dell'aria (B) dalla sua sede.
3. Pulire il filtro dell'aria con acqua calda e sapone.



ATTENZIONE: Un filtro dell'aria utilizzato per un lungo periodo non può essere pulito completamente. Sostituire regolarmente il filtro dell'aria e sostituire sempre un filtro aria difettoso.

4. Accertarsi che il filtro dell'aria sia asciutto.
5. Applicare dell'olio sul filtro dell'aria. Vedere *Applicazione dell'olio sul filtro dell'aria in espanso alla pagina 179.*
6. Pulire la superficie interna del coperchio del filtro dell'aria. Utilizzare aria compressa o una spazzola.

Applicazione dell'olio sul filtro dell'aria in espanso

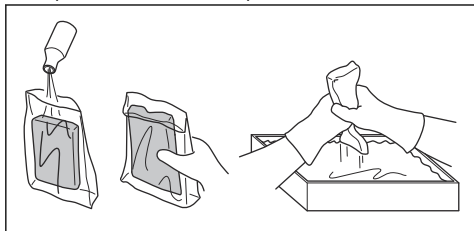


ATTENZIONE: Utilizzare sempre olio speciale per filtro McCULLOCH. Non utilizzare altri tipi di olio.



AVVERTENZA: Indossare guanti protettivi. L'olio del filtro dell'aria può causare irritazioni cutanee.

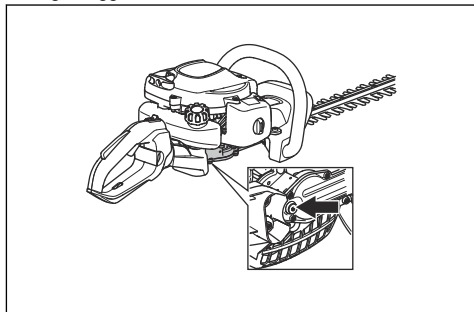
1. Riporre il filtro dell'aria in espanso in un sacchetto di plastica.
2. Versare l'olio nel sacchetto di plastica.
3. Massaggiare il sacchetto di plastica per assicurarsi che l'olio venga distribuito in modo uniforme sul filtro dell'aria in espanso.
4. Rimuovere l'olio superfluo dal filtro dell'aria in espanso nel sacchetto di plastica.



Lubrificazione della scatola ingranaggi

- Usare grasso speciale McCULLOCH. Rivolgersi al centro di assistenza per maggiori informazioni sul grasso consigliato.

- Aggiungere il grasso attraverso il tappo di rifornimento lubrificante sulla scatola degli ingranaggi.



ATTENZIONE: Non riempire completamente la scatola ingranaggi.

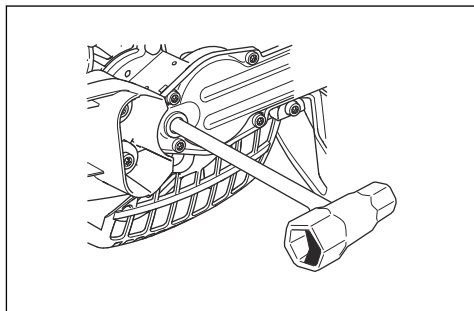
Pulizia e lubrificazione delle lame

1. Pulire le lame da sostanze indesiderate, prima e dopo aver utilizzato il prodotto.
2. Lubrificare le lame se si prevede di non utilizzare il prodotto per un periodo di tempo prolungato.

Nota: Rivolgersi al centro di assistenza per maggiori informazioni sui detergenti e i lubrificanti consigliati.

Ispezione delle lame

1. Rimuovere il tappo di rifornimento lubrificante sulla scatola degli ingranaggi.
2. Accertarsi che le lame ruotino liberamente. Inserire la chiave universale nella scatola ingranaggi e farla ruotare in senso orario e in senso antiorario.



3. Esaminare i bordi delle lame per rilevare eventuali danni o deformazioni.
4. Usare una lima per rimuovere le irregolarità sulle lame.

Ricerca guasti

Ricerca guasti

Il motore non si avvia		
Problema	Possibile causa	Azione raccomandata
Ganci di avviamento	I ganci del motorino di avviamento non possono muoversi liberamente.	Regolare o sostituire i ganci di avviamento.
		Pulire la zona circostante i ganci del dispositivo di avviamento.
		Rivolgersi a un centro assistenza autorizzato.
Serbatoio del carburante	Tipo di carburante non adatto.	Svuotare e utilizzare carburante corretto.
Carburatore	Regime minimo errato.	Regolare il regime minimo.
Nessuna scintilla	La candela è sporca o umida.	Accertarsi che la candela sia asciutta e pulita.
	Distanza tra gli elettrodi errata.	Pulire la candela. Accertarsi che la distanza tra gli elettrodi della candela sia corretta. Accertarsi che la candela sia montata con un dispositivo di soppressione.
		Per la corretta distanza tra gli elettrodi, fare riferimento a <i>Dati tecnici alla pagina 181</i> .
Candela	La candela è allentata.	Serrare la candela.

Il motore si avvia ma si arresta nuovamente		
Problema	Possibile causa	Azione raccomandata
Serbatoio del carburante	Tipo di carburante non adatto.	Svuotare e utilizzare carburante corretto.
Carburatore	Regime minimo errato.	Regolare il regime minimo. Vedere <i>Regolazione del regime minimo alla pagina 177</i> . Rivolgersi al centro di assistenza se necessario.
Filtro dell'aria	Filtro dell'aria intasato.	Pulire il filtro dell'aria.

Lama		
Problema	Possibili cause	Azione raccomandata
La lama si muove lentamente o non si muove.	La lama è bloccata o danneggiata.	Rimuovere dalle lame i materiali indesiderati. Vedere <i>Pulizia e lubrificazione delle lame alla pagina 179</i> . Eliminare eventuali bavature dalla lama, fare riferimento a <i>Ispezione delle lame alla pagina 179</i> . Sostituire la lama se danneggiata.

Lama		
Problema	Possibili cause	Azione raccomandata
La lama non taglia con facilità.	La lama non è affilata o è danneggiata.	Affilare la lama, fare riferimento a <i>Ispesione delle lame alla pagina 179</i> . Sostituire la lama se danneggiata.
La lama diventa calda.	Non c'è attrito tra le lame.	Eliminare eventuali bavature dalla lama e lubrificarla. Vedere <i>Ispesione delle lame alla pagina 179</i> .

Trasporto, stoccaggio e smaltimento

Trasporto e rimessaggio

- Fare raffreddare sempre il prodotto prima del rimessaggio.
- Per trasportare e conservare il prodotto e il carburante, accertarsi che non vi siano perdite o fumi. Scintille o fiamme aperte, provocate ad esempio da dispositivi elettrici o caldaie, possono innescare un incendio.
- Utilizzare sempre contenitori approvati per la conservazione e il trasporto del carburante.
- Svuotare il carburante prima del trasporto o prima di lunghi periodi di rimessaggio. Smaltire il carburante presso un apposito centro di smaltimento.
- Fissare la protezione di trasporto durante il trasporto e lo stoccaggio.

- Rimuovere il cappuccio dalla candela.
- Fissare il prodotto durante il trasporto. Assicurarsi che non si possa spostare.
- Pulire ed effettuare la manutenzione del prodotto prima di lunghi periodi di stoccaggio.

Smaltimento

- Rispettare le norme locali e le normative vigenti.
- Smaltire tutte le sostanze chimiche, quali olio motore o carburante, presso un centro assistenza o un centro di smaltimento applicabili.
- Smaltire il prodotto in un centro approvato o inviarlo a McCULLOCH per lo smaltimento.

Dati tecnici

Dati tecnici

Dati tecnici	SUPERLITE 4528	ERGOLITE 6028
Motore		
Cilindrata, cm ³	21,7	21,7
Regime minimo, giri/min	2800	2800
Velocità massima raccomandata, giri/min	9000	9000
Potenza max. motore a norma ISO 8893, kW/giri/min.	0,6/7800	0,6/7800
Marmitta con convertitore catalitico	Sì	Sì
Impianto di accensione		
Candela	HQT-4 672201	HQT-4 672201
Distanza tra gli elettrodi, mm	0,5	0,5
Carburante		
Capacità serbatoio carburante, L	0,3	0,3
Peso		

Dati tecnici	SUPERLITE 4528	ERGOLITE 6028
Peso, kg	4,8	5,0
Emissioni di rumore ³¹		
Livello di potenza acustica, misurato dB(A)	100	100
Livello acustico, garantito L _{WA} dB(A)	101	101
Livelli di rumorosità ³²		
Livello di pressione acustica equivalente rispetto all'udito dell'operatore, misurato in base alle norme EN ISO 10517, dB(A)	93	93
Livelli di vibrazioni ³³		
Livelli di vibrazione equivalenti (a _{hv,eq}) sulle impugnature, misurati in base alla norma EN ISO 10517, in m/s ² :		
anteriore/posteriore, mm/s 2	3,5/4,4	4,1/5,2
Lame		
Tipo	A doppio taglio	A doppio taglio
Lunghezza di taglio, mm	450	590
Velocità di taglio, tagli/min	4050	4050

³¹ Emissioni di rumore nell'ambiente misurate come potenza sonora (L_{WA}) in base alla direttiva CE 2000/14/CE. Il livello di potenza acustica riportato per il prodotto è stato misurato con il gruppo di taglio originale che emette il livello massimo. La differenza tra potenza acustica misurata e garantita è che la potenza acustica garantita comprende anche la dispersione nel risultato di misurazione e le variazioni tra le diverse macchine dello stesso modello come da Direttiva 2000/14/CE.

³² I dati riportati per il livello di pressione acustica hanno una dispersione statistica tipica (deviazione standard) di 1 dB(A).

³³ I dati riportati per il livello di vibrazioni presentano una dispersione statistica tipica (deviazione standard) di 1 m/s².

Dichiarazione di conformità CE

Dichiarazione di conformità UE

Husqvarna AB, SE-561 82 Huskvarna, Svezia, tel:
+46-36-146500, dichiara sotto la propria esclusiva
responsabilità che il prodotto indicato:

Descrizione	Tagliasiepi
Marchio	McCULLOCH
Tipo / Modello	SUPERLITE 4528, ERGOLITE 6028
Identificazione	Numeri di serie a partire da 2022 e successivi

È pienamente conforme alle seguenti norme e direttive
UE:

Regolamento	Descrizione
2006/42/CE	"sulle macchine"
2014/30/UE	"sulla compatibilità elettromagnetica"
2000/14/CE	"sull'emissione di rumore nell'ambiente, Allegato V"
2011/65/UE	"sulla restrizione dell'uso di determinate sostanze pericolose nelle apparecchiature elettriche ed elettroniche"

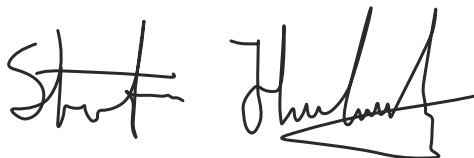
e che sono applicati gli standard e/o le specifiche
tecniche seguenti: EN ISO 12100:2010, EN ISO
10517:2019, EN IEC 63000:2018, EN ISO 14982:2009.

Organo competente: RISE SMP Svensk Maskinprovning
AB, Box 7035, SE-750 07 Uppsala, Sweden ha
eseguito l'omologazione volontaria per conto di
Husqvarna AB.

Numero del certificato: SEC/11/2327

Per informazioni sulle emissioni acustiche, fare
riferimento a *Dati tecnici alla pagina 181*.

Huskvarna, 2022-02-15



Stefan Holmberg, Manager Handheld Global,
responsabile di laboratorio HH Global Services,
Husqvarna AB

Responsabile della documentazione tecnica

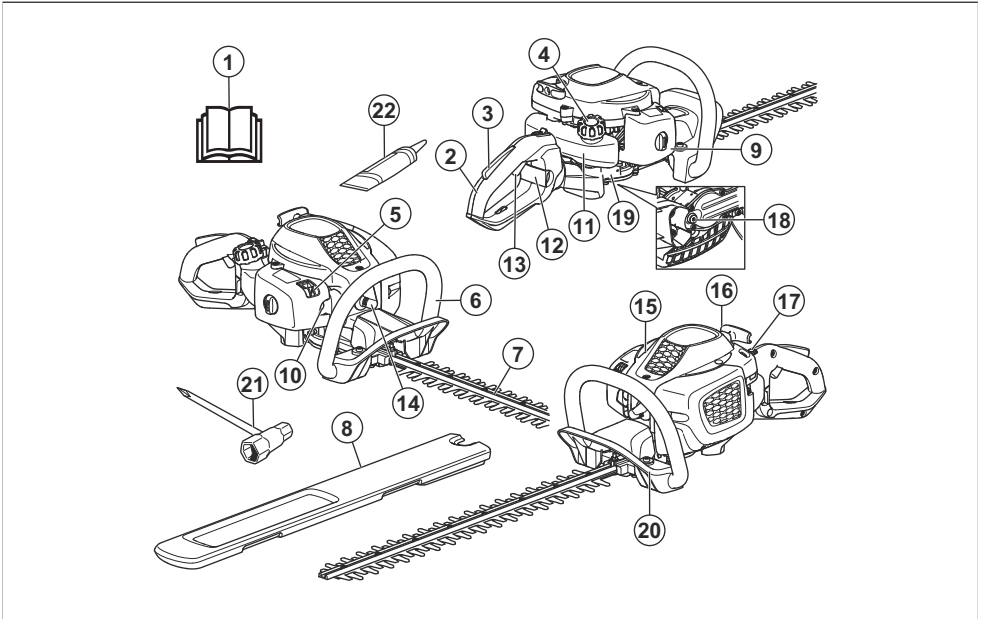


Sisukord

Sissejuhatus.....	184	Veatsing.....	195
Ohutus.....	185	Transportimine, hoiu-paneak ja utiliseerimine.....	196
Töö.....	190	Tehnilised andmed.....	197
Hooldamine.....	192	EÜ vastavusdeklaratsioon.....	199

Sissejuhatus

Toote tutvustus



1. Kasutusjuhend
2. Tagumine käepide
3. Gaasipäästiku lukustus
4. Kütusepaagi kork
5. Õhuklapp
6. Esikäepide
7. Lõiketera ja terakaitse
8. Transpordikaitse
9. Õhufiltri kaas
10. Kütusepump
11. Kütusepaak
12. Käepideme lukustus (ErgoLite)
13. Gaasipäästik
14. Süüteküünla kork ja süüteküünal
15. Silindri kate
16. Käivitusnööri käepide
17. Seiskamisüliti
18. Määrde täitekork
19. Ülekande korpus
20. Käekaitse
21. Kombivõti
22. Määrdetuub

Toote kirjeldus

See toode on sise põlemismootoriga hekilõikur.

Kasutusotstarve

Kasutage toodet okste ja raagude lõikamiseks. Ärge kasutage toodet muude tööde tegemiseks.

Sümbolid seadmel



HOIATUS! Toode võib olla ohtlik ja põhjustada kasutaja või kõrvaliste isikute ohtliku kehavigastuse või surma. Olge ettevaatlik ja kasutage toodet õigesti.



Enne seadme kasutamist lugege kasutusjuhend hoolikalt läbi ja veenduge, et kõik juhised oleksid täiesti arusaadavad.



Kasutage heakskiidetud kõrvaklappe ja silmade kaitsevahendit.



Kandke heakskiidetud kaitsekindaid.



Kandke vastupidavaid libisemiskindlaid jalanõusid.



Kütusepump.



Õhuklapp.



Käepideme reguleerimise lukustus.



Kütus.



Keskonda paisatava müra tase vastab Euroopa direktiivi 2000/14/EÜ ja Uus Lõuna-Walesi seaduse „Protection of the Environment Operations (Noise Control) Regulation 2017” nõuetele. Mürataseme andmed on toodud seadme sildil ja peatükis Tehnilised andmed.



See seade vastab kehtivatele EÜ direktiividele.

aaaaannxxx

Andmesildil leiata seerianumbri. **yyyy** on tootmisaasta ja **ww** on tootmisnädal.

Märkus: Ülejäänud seadmel toodud sümbolid/tähised vastavad teatud riikides kehtivatele sertifitseerimisnõuetele.

Euro V heitmed



HOIATUS: Mootori igasugune modifitseerimine, muutmine või rikkumine tühistab toote EL-i tüübikinnituse.

Ohutus

Ohutuse määratlused

Mõistetega „hoiatus”, „ettevaatus” ja „märkus” juhitakse tähelepanu eriti olulistele kohtadele kasutusjuhendis.



HOIATUS: Tähistab kasutusjuhendi juhiste eiramise korral kasutaja või kõrvaliseisjate kehavigastuse või surmaga lõppeva õnnetuse ohtu.



ETTEVAATUST: Tähistab kasutusjuhendi juhiste eiramise korral seadme, muude esemete või läheduses asuvate objektide kahjustamise ohtu.

Märkus: Tähistab antud olukorras vajalikku lisateavet.

Üldised ohutuseeskirjad



HOIATUS: Enne toote kasutamist lugege läbi järgmised hoiatused.

- Toode võib olla ohtlik, kui seda kasutatakse hooletult või valesti, ning võib põhjustada isegi eluohtlikke vigastusi. Väga tähtis on, et loeksite selle kasutusjuhendi hoolikalt läbi.
- Toode tekitab töötades elektromagnetvälja. Teatud tingimustel võib väli häirida aktiivsete või passiivsete meditsiiniliste implantaatide tööd. Raskete või surmaga lõppevate vigastuste ohu vähendamiseks soovitage meditsiinilisi implantaate kasutavatel inimestel pidada enne selle toote kasutamist nõu oma arsti ja implantaadi valmistajaga.
- Tugeva vibratsiooniiga töötamine võib põhjustada vereringe- või närvikahjustusi, eelkõige neil, kel on vereringehäireid. Pöörduge arsti poole, kui teil ilmneb sümptomeid, mis võivad olla

tingitud vibratsioonist. Sellisteks sümptomiteks on näiteks tundetus, surin, torkiv tunne, valu, nõrkus, muutused nahavärvis või naha seisukorras. Nimetatud sümptomid ilmnevad tavaliselt sõrmedes, käelabades ja randmetes. Madalal temperatuuril on oht suurem.

- Kasutatud summuti ja sädemepüüdur võivad sisaldada põlemise käigus tekkinud kantserogeenseid osakesi. Vältige summuti või sädemepüüduri käsitsemisel kokkupuudet nende ühenditega. Enne summuti või sädemepüüduri käsitsemist lugege juhiseid jaotises *Summuti kontrollimine lk 188*.
- Kui olukord on teile tundmatu, katkestage töö ja küsige spetsialistilt nõu. Võtke ühendust edasimüüja või hooldustöökajaga. Ärge tehke tööd, milleks teil puudub väljaõpe või kogemused.
- Ärge unustage, et seadme kasutaja vastutab seadmest tingitud ohtude ja õnnetuste ning varakahjude eest.
- Ärge lubage kellelgi toodet kasutada enne, kui olete kindel, et ta on kasutusjuhendi sisust aru saanud.
- Ärge lubage lapsi seadme lähedale ega neil seadet kasutada. Kuna seadmel on vedruga käivitus- ja seiskamislüliti ning seda saab väikesel kiirusel kerge vaevaga käivituskäepidemest käivitada, võib mõnikord ka laps suuta seadme käivitada. Sellega võib kaasneda raskete vigastuste oht. Seepärast tuleb seadmelt eemaldada süüteküünla kork, kui seade jääb järelevalveta.
- Hoidke seadet lastele kättesaamatus kohas.
- Ärge kunagi töötage tootega, kui olete väsinud, alkoholi tarvitanud või kui olete võtnud ravimit, mis mõjutab teie nägemis-, otsustus- või keskendumisvõimet.
- Ärge kunagi kasutage kahjustatud seadet. Kontrollige ja hooldage seadet korrapäraselt, nagu selles juhendis kirjeldatud. Teatud hooldustoiminguid tohib teha ainult vastava väljaõppe saanud spetsialist. Vt juhiseid jaotises „Hooldamine“.
- Ärge kunagi kasutage seadet, mille ehitust on muudetud.

Ohutusjuhised kasutamisel



HOIATUS: Enne toote kasutamist loe läbi järgnevad hoiatused.

- Ärge kasutage toodet eriti rasketes ilmaoludes, väga külma, väga tuulise või niiske ilmaga.
- Kontrollige, et süütepea ja süütekaabel oleksid kahjustusteta, et elektrilööki ära hoida.
- Veendu, et inimesed ja loomad ei oleks töö ajal lähemal kui 15 m (50 jalga).
- Enne kui käivitatakse seadet, tehke kindlaks, et läheduses ei ole inimesi ega loomi, kellele see võiks ohtlikuks osutada.

- Vaadake üle tööpiirkond. Kõrvaldage kõrvalised esemed, mis võivad eemale paiskuda.
- Jälgi alati, et sul oleks kindel ja püsiv jalgealune.
- Ärge kunagi jätke töötava mootoriga seadet järelevalveta.
- Jälgige, et käed-jalad ei satuks löikeosa tööpiirkonda.
- Kui teradesse on midagi kinni jäänud, tuleb töötav seade välja lülitada, süütejuhe süüteküünlast lahti võtta ja seejärel asuda terasid puhastama. Lahuta süüteküünla kate süüteküünlast.
- Hoidke pärast mootori välja lülitamist käed-jalad löikeosast eemal, kuni see seisma jääb.
- Jälgige, et lõigatud oksajupid teie pihta ei paiskusu.
- Kui kasutate kuulmiskaitset, olge tähelepanelik hõigete ja hoiatussignaalide suhtes. Eemaldage kõrvaklapid kohe, kui mootor on seiskunud.
- Ärge kunagi töötage redelil, toolil või muus kõrges asendis, mis ei ole täielikult fikseeritud.
- Kasutage toote hoidmiseks alati kahte kätt. Hoidke toodet enda ees.
- Võõrkehade kokkupõrkamise või vibratsiooni ilmumise korral peatage seade viivitamatult. Lahuta süüteküünla kate süüteküünlast. Kontrollige, et seade pole kahjustatud. Parandage vajadusel.
- Veenduge, et süüteküünla kate ja süütejuhe oleksid kahjustamata, et ära hoida elektrilöögi ohtu.
- Kontrollige, et kõik mutrid ja kruvid oleksid korralikult pingutatud.
- Veendu, kas käigukast on korralikult määritud. Vt jaotist *Ülekande puhastamine lk 195*.
- Toote kasutamisel muutub käigukast tuliseks. Ära puuduta käigukasti, sest see võib tekitada põletuse.
- Enne käivitamist peavad olema kõik kaitsed ja katted oma kohale paigaldatud.
- Kui löiketerad jäävad kinni, saab neid lövendada käigukasti kaudu kombivõtme abil. Pane kombivõti ajamisse ja keera seda edasi-tagasi. Vt jaotist *Ülekande puhastamine lk 195*.
- Kui te ei kasuta toodet, pange löikeosale kate peale.

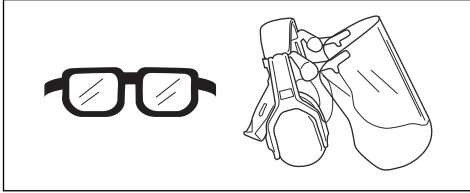
Isikukaitsevahendid



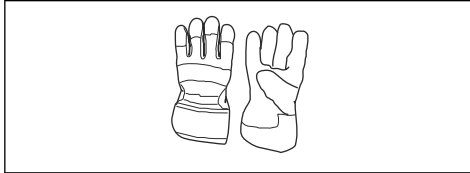
HOIATUS: Enne seadme kasutamist lugege läbi järgnevad hoiatused.

- Seadmega töötamisel tuleb kasutada ettenähtud isikukaitsevarustust. Isikukaitsevarustuse ei välista täielikult kehavigastuste ohtu, kuid vähendab õnnetusjuhtumi korral kehavigastuse raskusastet. Õige varustuse valimiseks pöörduge edasimüüja poole.
- Kandke alati sobiva summutusvõimega kuulmiskaitsemeid. Pikaajaline müra võib tekitada püsiva kuulmiskahjustuse.
- Kandke heakskiidetud kaitseprille. Näokaitse kasutamisel tuleb lisaks kasutada heakskiidetud kaitseprille. Heakskiidetud kaitseprillide all

mõeldakse selliseid prille, mis vastavad standardile ANSI Z87.1 USA-s või EN 166 Euroopa Liidu riikides.



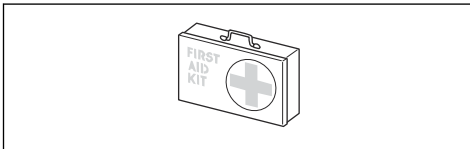
- Vajaduse korral kandke kaitsekindaid, näiteks löikeosa kinnitades, kontrollides või puhastades.



- Kandke vastupidavaid, mittelibesevaid jalatseid.



- Kandke vastupidavast materjalist riideid. Kandke alati pikki raskeid pükse ja pikki varrukaid. Hoiduge liiga avaratest rõivastest, mis võivad okstesse takerduda. Ärge kandke ehteid, lühikesi pükse, lahtiseid jalatseid ega käige paljajalu. Kinnitage juuksed ohutult õlgadest kõrgemale.
- Hoidke esmaabikomplekt käepärast.



Toote ohutusseedised

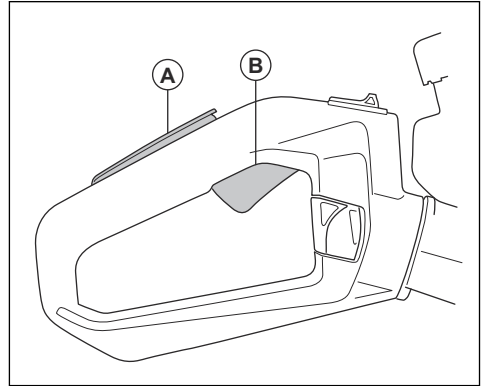


HOIATUS: Enne seadme kasutamist lugege läbi järgnevad hoiatused.

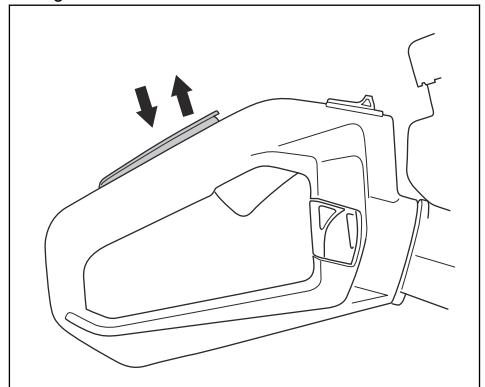
- Ärge kunagi kasutage seadet, kui selle ohutusseedised on defektsed.
- Kontrollige ohutusseediseid regulaarselt. Kui ohutusseedised on defektsed, pöörduge McCULLOCH hooldustöökotta.

Gaasihoovastiku nupu luku kontrollimine

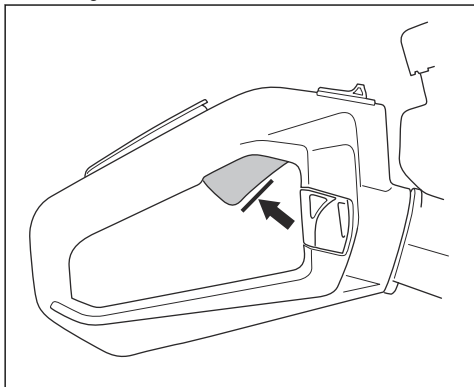
1. Veenduge, et gaasihoovastiku nupu lukustusmutter (A) ja gaasihoovastiku nupp (B) liiguksid takistamatult ning tagastusvedru töötaks korralikult.



2. Vajutage gaasihoovastiku nupu lukk alla ja veenduge, et vabastamisel liiguks see tagasi algasendisse.



3. Vabastage gaasihoovastiku nupp lukusti ja veenduge, et gaasihoovastiku nupp oleks lukus tühikäiguasendis.



4. Käivitage mootor ja rakendage täisgaas.
5. Vabastage gaasihoovastiku nupp ja veenduge, et terad peatuksid täielikult.



HOIATUS: Kui gaasihoovastiku nupp paneb tühikäiguasendis terad liikuma, tuleb tühikäigu pöörete arvu reguleerida. Vt jaotist *Tühikäigu pöörete arvu reguleerimine lk 193*.

Seiskamislüliti kontrollimine

1. Käivitage mootor.
2. Lükake seiskamislüliti seiskamisasendisse ja veenduge, et mootor seiskuks.



HOIATUS: Seiskamislüliti naaseb automaatselt algasendisse. Soovimatu käivitumise vältimiseks eemaldage enne toote kokkupanemise või hooldustööde alustamist süüteküünlä kate.

Käekaitse kontrollimine

Käekaitse kaitseb käsi vigastuste eest, mida löiketerad põhjustada võivad.

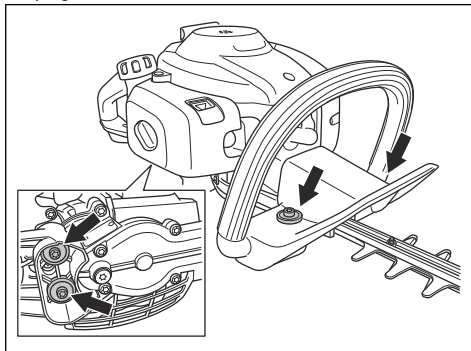
1. Seisake mootor.
2. Veenduge, et käekaitse oleks õigesti kinnitatud.
3. Kontrollige käekaitset kahjustuste suhtes.

Vibratsioonisummutussüsteemi kontrollimine

Vibratsioonisummutussüsteem vähendab käepidemete vibratsiooni. Vibratsioonisummutusseadised toimivad eraldajatena seadme korpuse ja käepideme vahel.

1. Otsige deformatsioone ja kahjustusi.

2. Veenduge, et vibratsioonisummutajad oleks õigesti paigaldatud.



Summuti kontrollimine



HOIATUS: Ärge kasutage toodet ilma summutita ega defektse summutiga. Defektne summuti võib tõsta müürataset ja suurendada tuleohtu. Ärge kasutage toodet ilma sädemepüüdurita ega katkise sädemepüüduriga. Kui sädemepüüdur on kahjustatud, tuleb see välja vahetada.



HOIATUS: Kasutatud summuti ja sädemepüüdur võivad sisaldada põlemise käigus tekkinud kantserogeenseid osakesi. Kasutage kaitsekindaid ja tehke hooldust hästi ventileeritud keskkonnas, et vältida kantserogeensete osakeste nahale sattumist ja nende sissehingamist. Ärge kasutage sädemepüüduri puhastamiseks suruõhku. Kasutage sädemepüüduri puhastamiseks traatharja ja harjake suunaga endast eemale.



HOIATUS: Summutid muutuvad kasutamise ajal ja pärast kasutamist, samuti tühikäigul, väga kuumaks.



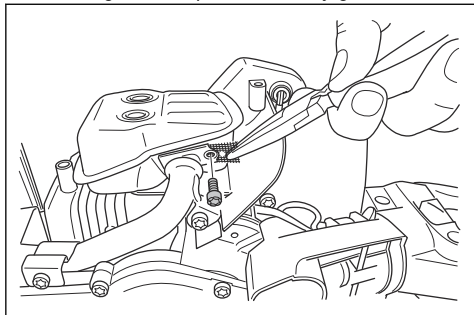
ETTEVAATUST: Kui sädemepüüdur ummistub sageli, võib see olla märk sellest, et katalüüsmuunduri jõudlus on vähenenud. Summuti kontrollimiseks võtke ühendust hooldusesindusega. Ummistunud sädemepüüdur põhjustab ülekuumenemist, mille tagajärjeks on silindri ja kolvi kahjustused.



HOIATUS: Summuti sisepindadel on kemikaale, mis võivad tekitada vähki. Kui summuti on kahjustatud, olge ettevaatlik, et te neid osi ei puudutaks.

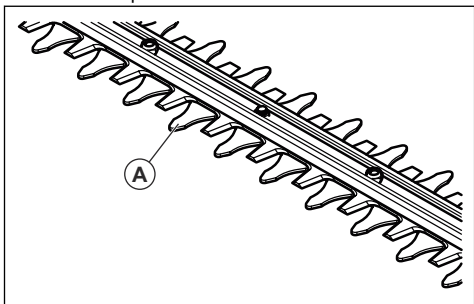
Summuti ülesandeks on hoida müratase võimalikult madalal ja suunata heitgaasid kasutajast eemale. Katalüüsmuunduriga summuti vähendab kahjulike ainete hulka heitgaasides.

1. Seisake mootor.
2. Otsige kahjustusi ja deformatsioone.
3. Veenduge, et summuti oleks õigesti toote külge kinnitatud.
4. Puhastage sädemepüüdur traatharjaga.



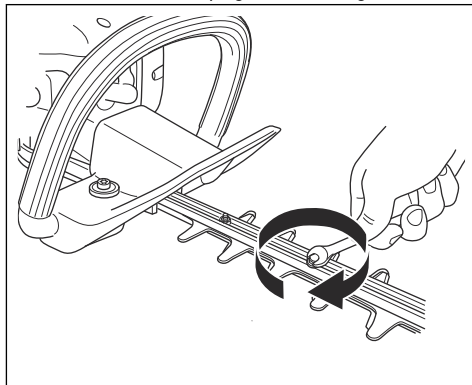
Lõikeketta ja lõikeketta kaitse kontrollimine

Lõiketerade (A) välisküljed toimivad lõikeketta kaitsetena. Samuti takistab lõikeketta kaitse kasutajat lõiketera vastu puutumast.



1. Seisake mootor ja veenduge, et lõikeosa oleks täielikult peatunud.
2. Eemaldage süüteküünla kate süüteküünalt.
3. Pange kätte kaitsekindad.
4. Veenduge, et lõikeketas ja lõikeketta kaitse ei oleks kahjustatud ega väändunud. Kahjustatud või väändunud lõikeosa tuleb alati välja vahetada.

5. Veenduge, et lõikeosa kruvid oleks paigaldatud. Keerake kruvid kinni pingutusmomendiga 7–10 Nm.



Ohutusnõuded kütuse käsitlemisel



HOIATUS: Enne seadme kasutamist lugege läbi järgnevad hoiatused.

- Ärge käivitage toodet, kui toote pinnale on sattunud kütust või mootoriõli. Eemaldage kütus/õli toote pinnalt ja laske tootel kuivada.
- Kui kütus satub rõivastele, siis vahetage kohe riideid.
- Vältige kütuse sattumist nahale, see võib põhjustada kehavigastusi. Kui kütus satub kehale, puhastage piirkond seebi ja veega.
- Ärge käivitage toodet, kui mootor lekib. Kontrollige regulaarselt mootori lekkekindlust.
- Olge kütuse käsitlemisel ettevaatlik. Kütus on tuleohtlik ja kütuse aurud on plahvatusohtlikud ning võivad põhjustada kehavigastusi või surma.
- Ärge hingake sisse kütuseaure, see võib põhjustada kehavigastuse. Tagage piisav õhuvahetus.
- Ärge suitsetage kütuse ega mootori läheduses.
- Ärge asetage kuumi esemeid kütuse ega mootori lähedusse.
- Ärge tankige kütust, kui mootor töötab.
- Enne tankimise alustamist veenduge, et mootor oleks külm.
- Enne tankimise alustamist avage aeglaselt kütusepaagi kork ja laske survele alaneda.
- Ärge tankige mootorit siseruumis. Ebapiisav õhuvahetus võib põhjustada lämbumisest või vingugaasimürgistusest tingitud kehavigastuse või surma.
- Pingutage kütusepaagi korki korralikult. Pingutamata kütusepaagi kork põhjustab tuleohtu.
- Enne käivitamist viige toode vähemalt 3 m kaugusele kohast, kus toimus kütusepaagi täitmine.
- Ärge täitke kütusepaaki täielikult. Soojuse mõjul kütus paisub. Jätke kütusepaagi ülaserava vaba ruumi.

Ohutusjuhised hooldamisel



HOIATUS: Enne seadme kasutamist lugege läbi järgnevad hoiatused.

- Seisake mootor ja veenduge, et löikeosa oleks täielikult peatunud. Enne hooldustööde alustamist laske seadmel maha jahtuda.
- Enne hooldamist ühendage lahti süüteküünla kate.
- Mootori heitgaasid sisaldavad vinguvaasi: lõhnutud, mürgist ja väga ohtlikku gaasi, mis võib põhjustada surma. Ärge laske seadmel töötada siseruumis või väikesel suletud alal.
- Mootori heitgaasid on kuumad ja võivad sisaldada sädemeid. Ärge käivitage toodet siseruumis ega tuleohtlike materjalide ligdal.

- Tootja heakskiiduta tarvikud ja muudatused toote juurest võivad põhjustada tõsiseid kehavigastusi või surma. Ärge muutke toodet. Kasutage alati originaalitarvikuid.
- Kui seadet regulaarselt ja õigesti ei hooldata, suureneb oht, et seade saab kahjustada ja võib kedagi vigastada.
- Hooldage toodet ainult nii, nagu selles kasutusjuhendis soovitatakse. Laske kõik muud hooldustööd teha McCULLOCH heakskiidetud hooldustöökojas.
- Laske toodet regulaarselt hooldada McCULLOCH heakskiiduga hooldustöökojas.
- Asendage kahjustatud, kulunud ja katkised osad.

Töö

Sissejuhatus



HOIATUS: Enne toote kasutamist lugege läbi ohutuspeatükk ja veenduge, et oleksite kõigest aru saanud.

Kütus

Tootel on kahetaktiline mootor.



ETTEVAATUST: Vale kütuse kasutamine võib mootorit kahjustada. Kasutage bensiini ja kahetaktiõli segu.

Kahetaktiõli

- Parimate tulemuste ja jõudluse saavutamiseks kasutage McCULLOCH kahetaktiõli.
- Kui McCULLOCH kahetaktiõli pole saadaval, kasutage õhkjahutusega mootoritele mõeldud kvaliteetset kahetaktiõli. Õige õli valimiseks pöörduge hooldusesindusse.



ETTEVAATUST: Ärge kasutage vesijahutusega pärmootoritele mõeldud kahetaktiõli, mida tuntakse ka paadimootoriõlina. Ärge kasutage neljaktimootori õlisid.

Eelsegatud kütus

- Parima jõudluse saavutamiseks ja mootori tööea pikendamiseks kasutage McCULLOCH eelsegatud alkülaatkütust. See kütus sisaldab tavalise kütusega võrreldes vähem kahjulikke kemikaale, mis omakorda vähendab kahjulikke heitgaase. Selle kütuse korral on põlemisjääkide hulk väiksem ja see aitab hoida mootoriosad puhtamana.

Kütuse segamine

Bensiin

- Kasutage kvaliteetset kuni 10% etanoolisisaldusega pliivaba bensiini.



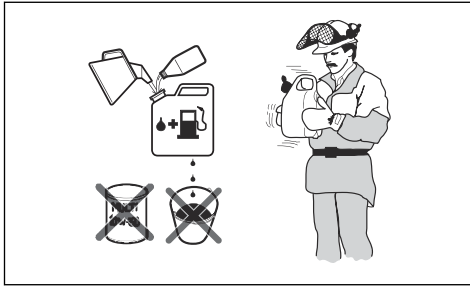
ETTEVAATUST: Ärge kasutage bensiini, mille oktaanarv on alla 90 RON (87 AKI). Madalama oktaanirvuga bensiini kasutamine võib põhjustada mootori klõppimist, mis omakorda kahjustab mootorit.

Bensiini ja kahetaktiõli segamine

Bensiin, l	Kahetaktiõli, l
	2% (50:1)
5	0,10
10	0,20
15	0,30
20	0,40



ETTEVAATUST: Väikeste kütusekoguste segamisel võib väike viga segusuhet oluliselt mõjutada. Mõõtk segatava õli kogus väga täpselt ja veenduge, et segu oleks õige.



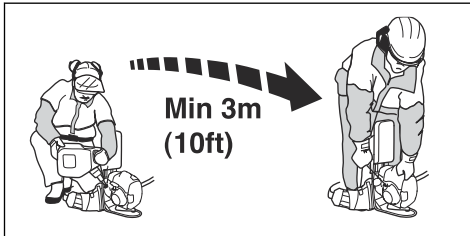
1. Valage puhtasse kütusenõusse pool bensiinikogusest.
2. Valage nõusse kogu vajaminev õli kogus.
3. Segage kütusesegu.
4. Lisage nõusse ülejäänud bensiinikogus.
5. Segage kütusesegu hoolikalt.



ETTEVAATUST: Ärge segage kütust korraga rohkem, kui on teie ühe kuu varu.

Kütusepaagi täitmine

1. Puhastage kütusepaagi korgi ümbrus.
2. Loksutage kütusenõu veendumaks, et kütus on täielikult segunenud. Kasutage ületäitumise kaitsega kütusenõu.
3. Eemaldage kütusepaagi kork.
4. Täitke kütusepaak.
5. Pingutage kütusepaagi korki korralikult.
6. Enne käivitamist viige seade tankimiskohast ja kütusenõust vähemalt kolme meetri kaugusele.

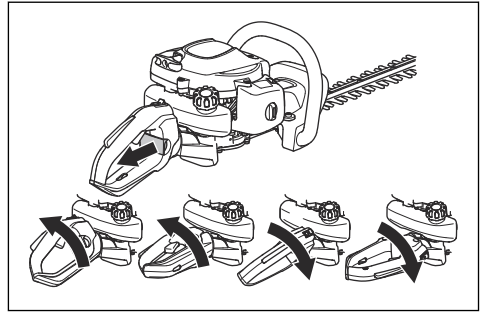


ETTEVAATUST: Paakidesse sattunud mustus rikub seadme töötamist. Puhastage kütusepaak ja keti õlipaak regulaarselt ning vahetage kütusefilter kord aastas või sagedamini.

Käepideme reguleerimine (ERGOLITE 6028)

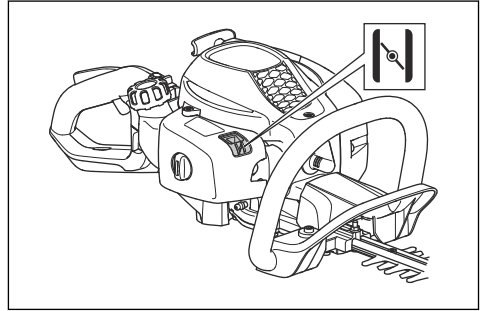
Tagumise käepideme saab seada 5 erinevasse asendisse.

- Vabastage käepideme lukustus ja keerake käepidet.



Külma mootoriga toote käivitamine

1. Tõmmake õhuklapp õhuklapi asendisse.



2. Vajutage kütusepumpa umbes 6 korda või kuni pump hakkab kütusega täituma. Kütusepumba kuppel ei pea kütusega täituma.
3. Suruge toote korpus vasaku käega vastu maad. Ärge astuge tootele.
4. Tõmmake käivitusnööri käepidet aeglaselt parema käega, kuni tunnete kergest takistust, seejärel tõmmake käivitusnööri käepidet järsult ja jõuga.



HOIATUS: Käivitusnööri ei tohi kerida käe ümber.



ETTEVAATUST: Ärge tõmmake käivitusnööri lõpuni välja ja ärge laske käivitusnööri käest lahti.

5. Jätkake käivitusnööri käepideme tõmbamist, kuni mootor käivitub, ja seejärel lükake õhuklapp algasendisse.



HOIATUS: Lõiketerad liiguvad, kui mootor käivitub.

6. Tõmmake käivitusnööri käepidet seni, kuni mootor käivitub.

- Lükake ja vabastage gaasihoovastiku nupp, et seada mootor tühikäigule.
- Mootori kiiruse suurendamiseks vajutage gaasihoovastiku nuppu järk-järgult.
- Veenduge, et mootor töötab sujuvalt.

Sooja mootoriga toote käivitamine

- Suruge toote korpus vasaku käega vastu maad. Ärge astuge tootele.
- Tõmmake käivitusnööri käepidet aeglaselt parema käega, kuni tunnete kergelt takistust, seejärel tõmmake käivitusnööri käepidet järsult ja jõuga. Jätka, kuni mootor käivitub.

Märkus: Lisateavet toote käivitamise kohta leiате jaotisest *Külma mootoriga toote käivitamine lk 191*.

Toote seiskamine

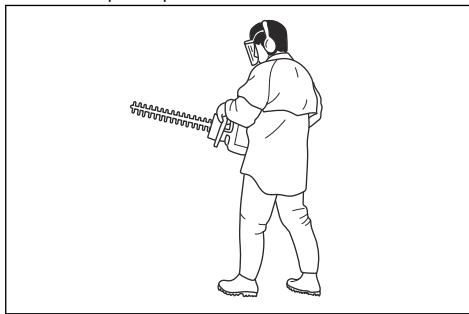
- Mootori seiskamiseks viige seiskamislüliti stoppasendisse.



ETTEVAATUST: Seiskamislüliti naaseb automaatselt tööasendisse.

Toote kasutamine

- Kui löikate heki külgi, alustage maapinna lähedalt ja liigutage toodet mööda hekki ülespoole. Jälgige, et toote korpus ei puudutaks hekki.



HOIATUS: Jälgige, et löikeosa ots ei puudutaks maad.

- Reguleerige kiirust vastavalt töökoormusele.
- Stabiilsel töoasendil hoidmiseks hoidke toodet keha lähedal.
- Olge ettevaatlik ja käituge toodet aeglaselt.

Hooldamine

Sissejuhatus



HOIATUS: Enne seadme hooldamist lugege läbi ohutuspeatükk ja veenduge, et see oleks teile täielikult arusaadav.

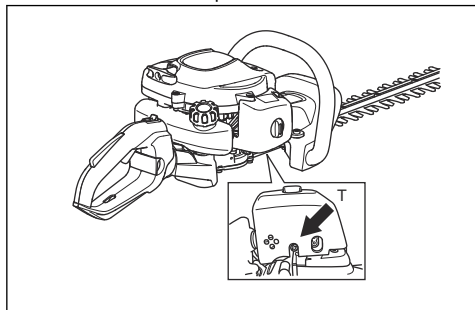
Hooldusgraafik

Hooldus	Enne kasutamist	40 töötunni järel	100 töötunni järel
Puhastage välispinnad.		Pärast igat kasutuskorda.	
Puhastage summuti, väljalasketoru ja mootor lehtedest, mustusest ning liigest määrdest.		Pärast igat kasutuskorda.	
Veenduge, et löikeosa ei liiguks tühikäigul.	X		
Kontrollige seiskamislüliti. Vt jaotist <i>Seiskamislüliti kontrollimine lk 188</i> .	X		
Kontrollige löikeosa kahjustuste ja mõrade suhtes. Kahjustuste korral asendage.	X		
Kontrollige käekaitset kahjustuste ja mõrade suhtes. Kahjustuste korral asendage.	X		
Kontrollige gaasipäästiku lukustust ja gaasipäästikut. Vt jaotist <i>Gaasihoovastiku nupu luku kontrollimine lk 187</i> .	X		
Kontrollige, et mootorist, kütusepaagist ega kütusevoolikust ei lekiks kütust.	X		

Hooldus	Enne kasutamist	40 töö-tunni järel	100 töö-tunni järel
Keerake mutrid ja poldid kinni.	X		
Puhastage summuti sädemepüüdur või asendage see. Vt jaotist <i>Summuti kontrollimine lk 188</i> .		X	
Kontrollige, kas starter ja käivitusnõõr on terved.		X	
Kontrollige, kas terade kinnituskruid on korralikult pingutatud.		X	
Puhastage õhufilter. Tolmustes piirkondades kasutamise korral puhastage sagedamini. Kahjustuste korral asendage.		X	
Kontrollige vibratsioonisummuteid kahjustuste ja mõrade suhtes. Kahjustuste korral asendage.		X	
Puhastage süüteküünla välispind ja selle ümbrus. Eemaldage süüteküünal ja mõõtkte elektroodi vahet. Reguleerige elektroodi vahet või asendage süüteküünal. Vt jaotist <i>Süüteküünla kontrollimine lk 194</i> .		X	
Puhastage jahutussüsteem.		X	
Puhastage karburaatori välispind ja selle ümbrus.		X	
Kontrollige, kas kütusefilter on puhas ja kütusevoolik terve. Kahjustuste korral asendage.			X
Puhastage summutil olev sädemepüüdur ja kui see on kahjustatud, asendage see.			X
Puhastage kütusepaak seest.			X
Vahetage süüteküünal.			X
Kontrollige sidurit, sidurivedru ja -trumlit kulumise suhtes. Kui need on kahjustatud, laske need heakskiidetud hooldusesinduses asendada.			X
Veenduge, et ülekande korpus oleks määrdega täidetud.			X
Kontrollige kõiki kaableid ja ühendusi.			X

Tühikäigu pöörete arvu reguleerimine

1. Puhastage õhufilter ja õhufiltri kate.
2. Käivitage toode. Vt jaotist *Külma mootoriga toote käivitamine lk 191*.
3. Keerake tühikäigu reguleerimiskruvi T päripäeva, kuni löikeosa hakkab pöörlema.



4. Keerake tühikäigu reguleerimiskruvi vastupäeva, kuni löikeosa peatub.

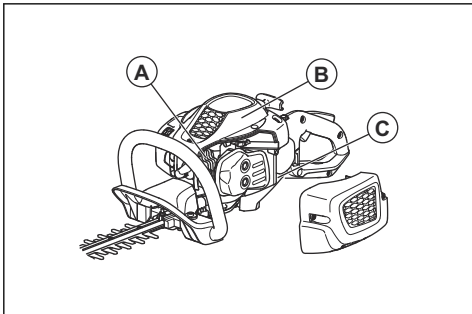


HOIATUS: Kui löikeosa tühikäigu pöörlemissageduse reguleerimisel ei seisku, pöörduge lähima hoolduse poole. Ärge kasutage seadet enne, kui see on korralikult reguleeritud või parandatud.

Märkus: Tühikäigu pöörete arv on õige siis, kui mootor töötab igas asendis ühtlaselt. Teavet soovitatava tühikäigu pöörete arvu kohta vt jaotisest *Tehnilised andmed lk 197*.

Jahutussüsteemi puhastamine

Jahutussüsteem hoiab mootori temperatuuri madalana. Jahutussüsteem hõlmab jahutusribisid silindril (A), silindri kattel(B) ja karteri õhuvõtuaval (C).



ETTEVAATUST: Õhuvõtuava kütusepaagi ja karterivahel võib lehtede tõttu ummistuda. Puhastage õhuvõtuava täielikult.

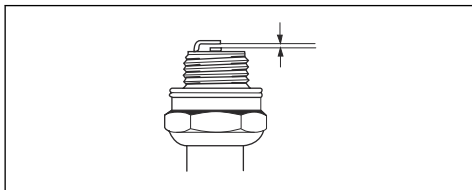
1. Puhastage jahutussüsteemi harjaga kord nädalas, vajaduse korral tihedamini.
2. Veenduge, et jahutussüsteem poleks määrdunud ega ummistunud.

Süüteküünla kontrollimine



ETTEVAATUST: Kasutage alati soovitatud tüüpi süüteküünalt. Vale tüüpi süüteküünal võib toodet kahjustada.

- Kontrollige süüteküünalt, kui mootori võimsus on madal, mootor ei käivitu kergesti või ei tööta tühikäigul korralikult.
- Süüteküünla elektroodidele võrainerete kogunemise ohu vähendamiseks täitke järgmisi juhiseid.
 - a) Veenduge, et tühikäigu pöörete arv on õigesti seadistatud.
 - b) Veenduge, et kütusesegu oleks õige.
 - c) Veenduge, et õhufilter oleks puhas.
- Kui süüteküünal on määrdunud, puhastage see ja kontrollige, kas elektroodide vahe on õige, vt jaotist *Tehnilised andmed lk 197*.

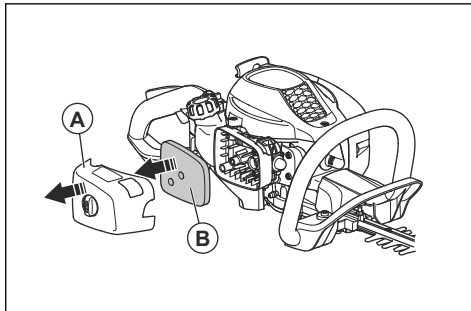


- Vajaduse korral vahetage süüteküünal välja.

Õhufiltri puhastamine

Puhastage õhufiltrit regulaarselt mustusest ja tolmust. See hoiab ära karburaatori rikkeid, käivitusprobleeme, mootori võimsuse kadu, mootoriosade kulumist ja tavapärasest suuremat kütusekulu.

1. Eemaldage õhufiltri kate (A).



2. Eemaldage filtrikorpusest õhufilter (B).
3. Puhastage õhufilter sooja seebiveega.



ETTEVAATUST: Pikemat aega kasutatud õhufiltrit ei saa enam täiesti puhtaks. Vahetage õhufiltrit regulaarselt, vigane õhufilter vahetage alati välja.

4. Veenduge, et õhufilter oleks kuiv.
5. Kandke õhufiltrile õli. Vt jaotist *Õli kandmine vahtplastist õhufiltrile lk 194*.
6. Puhastage õhufiltri katte sisepind. Kasutage suruõhku või harja.

Õli kandmine vahtplastist õhufiltrile



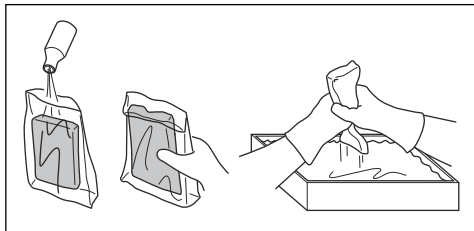
ETTEVAATUST: Kasutage alati McCULLOCH spetsiaalset filtriõli. Ärge kasutage teist tüüpi õlisid.



HOIATUS: Pange kätte kaitsekindad. Õhufiltri õli võib põhjustada nahaärritust.

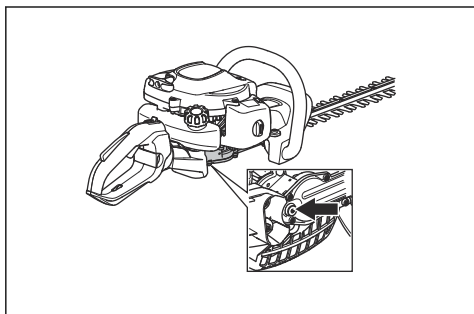
1. Asetage vahtplastist õhufilter kilekotti.
2. Asetage õli kilekotti.
3. Vajutage kilekotti, et õli kanduks ühtlaselt kogu vahtplastist õhufiltrile.

4. Suruge liigne õli vahtplastist õhufiltrist välja, kui see on veel kilekotis.



Ülekande puhastamine

- Kasutage McCULLOCH spetsiaalset mäaret. Soovitatud mäarde kohta lisateabe saamiseks võtke ühendust hooldusesindajaga.
- Lisage mäaret ülekandel oleva mäarde täitekorgi kaudu.



ETTEVAATUST: Ärge täitke ülekannet täielikult.

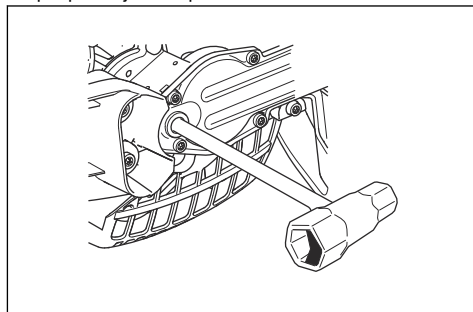
Lõiketerade puhastamine ja määrimine

1. Puhastage lõiketerad enne ja pärast toote kasutamist soovimatust materjalist.
2. Enne pikaks ajaks hoiulepanekut määrige lõiketerasid.

Märkus: Soovitatud puhastusvahendite ja määrmete kohta lisateabe saamiseks võtke ühendust hooldusesindajaga.

Lõiketerade kontrollimine

1. Eemaldage ülekandel olev mäarde täitekork.
2. Veenduge, et lõiketerad saavad vabalt liikuda. Pange lehtsilmusvõti ülekandesse ning keerake päripäeva ja vastupäeva.



3. Kontrollige lõiketerade servasid kahjustuste ja deformatsiooni suhtes.
4. Eemaldage viiliga lõiketeradelt kraadid.

Veaotsing

Veaotsing

Mootor ei käivitu		
Probleem	Võimalik põhjus	Soovitav toiming
Käiviti pörkligid	Starterikutsikad ei saa vabalt liikuda.	Reguleerige käiviti pörklinke või vahetage need välja.
		Puhastage käiviti pörklinkide ümbrus.
		Pöörduge volitatud hooldustöokoja poole.
Kütusepaak	Vale kütusetüüp.	Tühjendage see ja kasutage õiget kütust.
Karburaator	Vale tühikäigu pöörete arv.	Reguleerige tühikäigu pöörete arvu.

Mootor ei käivitu		
Probleem	Võimalik põhjus	Soovitav toiming
Sädet ei teki	Süüteküünal on määrdunud või märg.	Veenduge, et süüteküünal on kuiv ja puhas.
	Elektroodide vahe on vale.	Puhastage süüteküünal. Veenduge, et süüteküünla elektrodide vahe oleks õige. Veenduge, et süüteküünal on paigaldatud koos raadiohäirete kaitsega.
		Teavet õige elektrodide vahe kohta vt <i>Tehnilised andmed lk 197</i> .
Süüteküünal	Süüteküünal on lahti.	Keerake süüteküünal kinni.

Mootor käivitub, kuid seejärel seiskub		
Probleem	Võimalik põhjus	Soovitav toiming
Kütusepaak	Vale kütusetüüp.	Tühjendage see ja kasutage õiget kütust.
Karburaator	Vale tühikäigu pöörete arv.	Reguleerige tühikäigu pöörete arvu. Vt jaotist <i>Tühikäigu pöörete arvu reguleerimine lk 193</i> . Vajaduse korral pöörduge oma hooldusesinduse poole.
Õhufilter	Ummistunud õhufilter.	Puhastage õhufilter.

Lõiketera		
Probleem	Võimalikud põhjused	Soovitav toiming
Lõiketerad liiguvad aeglaselt või ei liigu üldse.	Lõiketera on blokeeritud või kahjustatud.	Eemaldage lõikeosadelt võõrkehade. Vt jaotist <i>Lõiketerade puhastamine ja määrimine lk 195</i> . Teavet lõiketeralt kraadide eemaldamise kohta leiate jaotisest <i>Lõiketerade kontrollimine lk 195</i> . Kahjustatud lõiketera vahetage välja.
Lõiketera ei pöörle kergesti.	Lõiketera pole terav või on kahjustatud.	Teavet lõiketera teritamise kohta leiate jaotisest <i>Lõiketerade kontrollimine lk 195</i> . Kahjustatud lõiketera vahetage välja.
Lõiketera muutub kuumaks.	Terade vahel on hõõrdumine.	Eemaldage teralt kraadid ja määrige lõiketera. Vt jaotist <i>Lõiketerade kontrollimine lk 195</i> .

Transportimine, hoiulepanek ja utiliseerimine

Transportimine ja hoiustamine

- Enne toote hoiukohta panekut laske sellel alati jahtuda.
- Toote ja kütuse transportimisel ning hoiustamisel veenduge, et puuduvad lekked ja aurud. Elektriseadmetest või boileritest pärit sädemed ja lahtine leek võivad põhjustada tulekahju.

- Kütuse transportimiseks ja hoiustamiseks kasutage heakskiidetud mahuteid.
- Enne transportimist või pikemaks ajaks hoiulepanemist tühjendage kütusepaak. Kõrvaldage kütus spetsiaalses jäätmajaamas.
- Transpordi ja hoiulepaneku ajaks kinnitage transportkaitse.
- Eemaldage süüteküünla kate süüteküünalt.

- Kinnitage seade transpordi ajaks. Veenduge, et see ei pääseks liikuma.
- Enne pikaks ajaks hoiulepanekut puhastage ja hooldage toode.
- Kemikaalid (nt mootoriõli ja kütus) kõrvalda hoolduskeskuses või spetsiaalses jäätmejaamas.
- Kõrvalda toode kasutuselt sobivas jäätmejaamas või saade see McCULLOCH kõrvaldamisele.

Kõrvaldamine

- Järgi kohalikke utiliseerimiseeskirju ja kehtivaid seadusi.

Tehnilised andmed

Tehnilised andmed

Tehnilised andmed	SUPERLITE 4528	ERGOLITE 6028
Mootor		
Silindri maht, cm ³	21,7	21,7
Tühikäigukiirus, p/min	2800	2800
Soovitatud max kiirus, p/min	9000	9000
Mootori max võimsus ISO 8893 järgi, kW / p/min	0,6/7800	0,6/7800
Katalüüsmuunduriga summuti	Jah	Jah
Süütesüsteem		
Süüteküüнал	HQT-4 672201	HQT-4 672201
Elektroodi vahe, mm	0,5	0,5
Kütus		
Kütusepaagi maht, l	0,3	0,3
Kaal		
Kaal, kg	4,8	5,0
Müratasemed ³⁴		
Helivõimsuse tase, mõõdetud dB(A)	100	100
Helivõimsuse tase, garanteeritud L _{WA} dB(A)	101	101
Helitasemed ³⁵		
Ekvivalentne helirõhutase kasutaja kõrva juures, mõõdetud standardi EN ISO 10517 järgi, dB(A)	93	93
Vibratsioonitase ³⁶		
Ekvivalentsed vibratsioonitasemed (a _{h_{v,eq}}) käepidemetes, mõõdetud standardi EN ISO 10517 järgi, m/s ² .		

³⁴ Müraemissioon ümbritsevasse keskkonda, mõõdetud helivõimsuse tasemenähtena (L_{WA}) vastavalt EÜ direktiivile 2000/14/EÜ Toote esitatud müratase mõõdeti enim müra tekitava originaallõikeosa kasutamisel. Erinevus garanteeritud ja mõõdetud helivõimsuse taseme vahel seisneb selles, et direktiivi 2000/14/EÜ kohaselt hõlmab garanteeritud helivõimsuse tase ka mõõtmistulemuste dispersiooni ja kõrvalekaldeid sama mudeli eri toodete vahel.

³⁵ Helirõhutaseme kohta toodud andmete statistiline dispersioon (standardhälve) on 1 dB(A).

³⁶ Vibratsioonitaseme kohta toodud andmete tüüpiline statistiline dispersioon (standardhälve) on 1 m/s².

Tehnilised andmed	SUPERLITE 4528	ERGOLITE 6028
Ees/taga, mm/s ²	3,5/4,4	4,1/5,2
Lõiketerad		
Tüüp	Kahepoolne	Kahepoolne
Lõikamispikkus, mm	450	590
Lõikamiskiirus, lõiget/min	4050	4050

EÜ vastavusdeklaratsioon

EL-i vastavusdeklaratsioon

Husqvarna AB, SE-561 82 Huskvarna, Rootsi, tel: +46
3614 6500, kinnitab ainuvastutusel, et toode:

Kirjeldus	Hekilõikur
Kaubamärk	McCULLOCH
Tüüp/mudel	SUPERLITE 4528, ERGOLITE 6028
Identifitseerimine	Seerianumbrid alates 2022. aastast

vastab täielikult järgmistele EÜ direktiividele ja määrustele:

Määrus	Kirjeldus
2006/42/EÜ	„masinadirektiiv“
2014/30/EL	„elektromagnetilise ühilduvuse direktiiv“
2000/14/EÜ	„välitingimustes kasutatavate seadmete mürataseme direktiiv, lisa V“
2011/65/EL	„elektri- ja elektroonikaseadmetes teatavate ohtlike ainete kasutamise piiramise direktiiv“

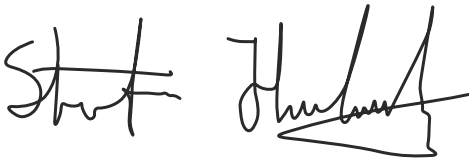
ja et kohalduvad järgmised standardid ja/või tehnilised spetsifikatsioonid: EN ISO 12100:2010, EN ISO 10517:2019, EN IEC 63000:2018, EN ISO 14982:2009.

Teavitatud asutus: RISE SMP Svensk Maskinprovning AB, Box 7035, SE-750 07 Uppsala, Sweden on teinud Husqvarna AB tellimusel vabatahtliku tüübihindamise.

Serdi number: SEC/11/2327

Lisateavet mürataseme kohta vt *Tehnilised andmed lk 197*.

Huskvarna, 2022-02-15



Stefan Holmberg, Handheld Globali juht, HH Global Servicesi laborijuht, Husqvarna AB

tehnilise dokumentatsiooni eest vastutaja

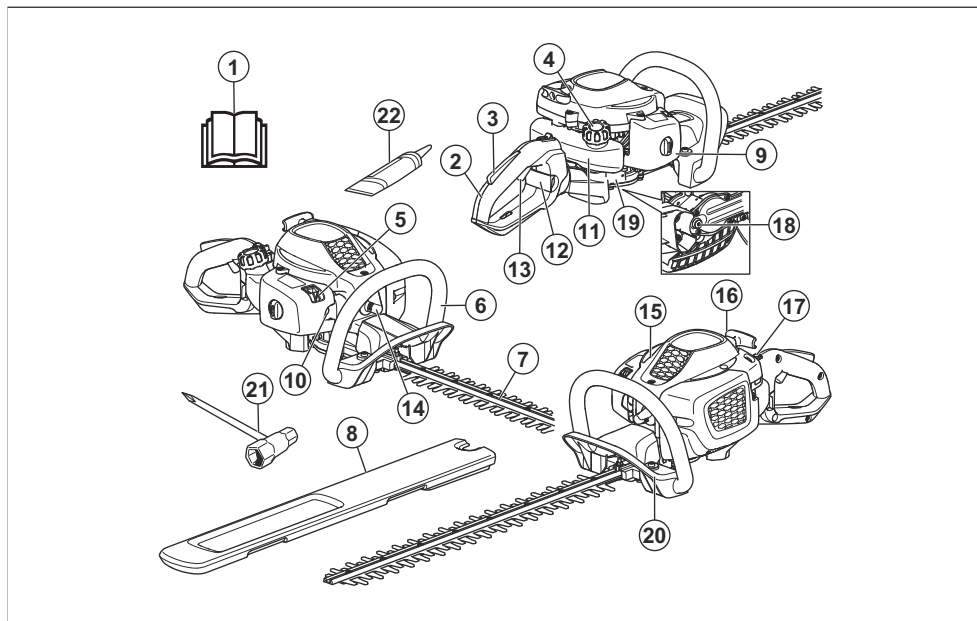


Saturs

Ievads.....	200	Problēmu novēršana.....	212
Drošība.....	201	Pārvadāšana, glabāšana un utilizēšana.....	213
Lietošana.....	206	Tehniskie dati.....	213
Apkope.....	209	EK atbilstības deklarācija.....	215

Ievads

Izstrādājuma pārskats



1. Lietošanas rokasgrāmata
2. Aizmugurējais rokturis
3. Droseles mēlītes bloķētājs
4. Degvielas tvertnes vāciņš
5. Gaisa vārsta vadība
6. Priekšējais rokturis
7. Asmens un asmens aizsargs
8. Transportēšanas aizsargs
9. Gaisa filtra vāks
10. Atgaisošanas sūkņa balons
11. Degvielas tvertne
12. Roktura fiksators (ErgoLite)
13. Droseles mēlīte
14. Aizdedzes sveces uzmava un aizdedzes svece
15. Cilindra pārsegs
16. Startera auklas rokturis
17. Apturēšanas slēdzis
18. Smērvielas uzpildes vāciņš
19. Pārnesumkārbas (reduktora) karteris
20. Rokas aizsargs
21. Kombinētā uzgriežņu atslēga
22. Smērvielas tūbiņa

Izstrādājuma apraksts

Izstrādājums ir dzīvžogu griezējs ar iekšdedzes dzinēju.

Paredzētā lietošana

Izstrādājums paredzēts zaru un zariņu griešanai. Nelietojiet izstrādājumu citiem uzdevumiem.

Simboli uz izstrādājuma



BRĪDINĀJUMS! Šis izstrādājums var būt bīstams un izraisīt nopietnas vai nāvējošas traumas operatoram vai citām personām. Esiet uzmanīgs un lietojiet izstrādājumu pareizi.



Rūpīgi izlasiet šo lietotāja rokasgrāmatu un pirms izstrādājuma lietošanas pārlicinieties, vai izprotat instrukcijas.



Izmantojiet apstiprinātus dzirdes un acu aizsarglīdzekļus.



Izmantojiet apstiprinātus aizsargcimdus.



Velciet darba apavus ar neslīdošām zolēm.



Gaisa izspiešanas pūslītis.



Gaisa vārsts.



Roktura regulēšanas fiksators



Degviela.



Trokšņa izplūde vidē atbilstoši Eiropas Direktīvai 2000/14/EK un Jaundienvidvēlšanas tiesību aktiem "Darba vidē aizsardzības (trokšņa kontroles) regula (2017)". Trokšņa izplūdes dati ir atrodami uz iekārtas etiķetes un tehnisko datu nodaļā.



Šis izstrādājums atbilst piemērojamo EK direktīvu prasībām.

yyyywwxxx

Datu plāksnītē ir norādīts sērijas numurs. **yyyy** norāda ražošanas gadu un **ww** — ražošanas nedēļu.

Piezīme: Pārējie uz produkta norādītie simboli/norādes atbilst noteiktu valstu sertifikācijas prasībām.

Euro V emisija



BRĪDINĀJUMS: Motora atvēršana anulē šī ķēdes zāga ES tipa apstiprinājumu.

Drošība

Drošības definīcijas

Brīdinājumi, norādes "Uzmanību!" un piezīmes tiek izmantotas, lai izceltu īpaši svarīgas lietotāja rokasgrāmatas daļas.



BRĪDINĀJUMS: Tiek izmantota tad, ja rokasgrāmatā sniegto instrukciju neievērošanas dēļ rodas izstrādājuma, citu esošajām personām draud traumu vai nāves risks.



IEVĒROJIET: Tiek izmantota tad, ja rokasgrāmatā sniegto instrukciju neievērošanas dēļ rodas izstrādājuma, citu materiālu vai blakus esošās teritorijas bojājuma risks.

Piezīme: Tiek izmantota, lai sniegtu plašāku informāciju, kas nepieciešama attiecīgajā situācijā.

Vispārīgi norādījumi par drošību



BRĪDINĀJUMS: Pirms izstrādājuma lietošanas izlasiet tālāk izklāstītos brīdinājumus.

- Izstrādājums var kļūt par bīstamu darbarīku, ja to lieto nepareizi vai pavirši, izraisot smagas un pat dzīvībai bīstamas traumas. Tāpēc ir ļoti svarīgi pirms lietošanas izlasīt un izprast šīs lietošanas rokasgrāmatas saturu.
- Šis izstrādājums darbības laikā rada elektromagnētisko lauku. Zināmos apstākļos šis lauks var traucēt aktīvā vai pasīvā medicīniskā implantāta darbību. Lai mazinātu smagas vai letālas traumas risku, personām, kurām ir medicīniskie implantāti, pirms šī izstrādājuma lietošanas

ieteicams konsultēties ar savu ārstu un medicīniskā implantāta ražotāju.

- Personām ar asinsrites traucējumiem pārmērīga atrašanās vibrācijas ietekmē var negatīvi ietekmēt asinsriti vai nervu sistēmu. Ja jūtat pārmērīgas vibrāciju ietekmes simptomus, apmeklējiet ārstu. Simptomi var būt šādi: nejutīgums, tirpšana, dūrieni, sāpes, spēka zudums, ādas krāsas vai stāvokļa izmaiņas. Šie simptomi parasti ir novērojami pirkstos, rokās vai locītavās. Risks palielinās zemā temperatūrā.
- Izmantotā trokšņu slāpētāja un dzirksteļu uztvērēja var būt kancerogēnas degošas daļiņas. Izvairieties no saskares ar šīm daļiņām, kad strādājat ar trokšņu slāpētāju vai dzirksteļu uztvērēju. Pirms rīkotiēs ar trokšņu slāpētāju vai dzirksteļu uztvērēju, izlasiet norādījumus, kas minēti šeit: *Slāpētāja pārbaude lpp. 204.*
- Ja ir radusies situācijā, kurā nezināt, kā rīkotiēs, lūdziet padomu speciālistam. Sazinieties ar izplatītāju vai apkopes darbnīcu. Izvairieties no lietošanas paņēmieniem, kurus nepārvaldāt.
- Ņemiet vērā, ka operators ir atbildīgs par negadījumiem vai riskiem, kas tiek radīti citiem cilvēkiem vai viņu īpašumam.
- Nekad neļaujiet citām personām izmantot izstrādājumu, ja neesat pilnīgi pārliecināti, vai šīs personas ir sapratušas lietošanas rokasgrāmatu.
- Nekad neļaujiet bērniem lietot šo izstrādājumu vai uzturēties tā tuvumā. Tā kā šis izstrādājums ir aprīkots ar apturēšanas slēdzi ar atsperes mehānismu, kas atrodas uz startera roktura, un to var iedarbināt ar neliela ātruma un spēka kustību, arī mazi bērni zināmos apstākļos var pielikt pietiekamu spēku, lai iedarbinātu izstrādājumu. Tas var radīt smagu traumu. Tāpēc gadījumos, kad izstrādājums netiek pieskaftis, noņemiet aizdedzes sveces uzmavu.
- Glabājiet izstrādājumu bērniem nepieejamā vietā.
- Nekādā gadījumā nelietojiet izstrādājumu, ja esat noguris, lietojis alkoholiskus dzērienus vai lietojat medikamentus, kas var ietekmēt redzi, reakciju, vai koordināciju.
- Nekad nelietojiet bojātu izstrādājumu. Ievērojiet šajā pamācībā norādītās kopšanas, pārbaudes un apkopes instrukcijas. Dažus apkopes un remonta darbus drīkst veikt tikai apmācīti un kvalificēti speciālisti. Skatiet arī norādījumus sadaļā Apkope.
- Nekādā gadījumā nelietojiet izstrādājumu, kas ir pārveidots, neievērojot sākotnējo specifikāciju.

Darba drošības norādījumi



BRĪDINĀJUMS: Pirms sākat lietot šo izstrādājumu, izlasiet tālāk izklāstītos brīdinājumus.

- Nekādā gadījumā nelietojiet izstrādājumu ekstremālos laika apstākļos, piemēram, lielā salā vai ļoti karstā un/vai mitrā klimatā.
- Nepareizi asmeņi var palielināt nelaimes gadījumu risku.
- Strādājot sekojiet, lai neviens cilvēks vai dzīvnieks netuvojas darba vietai tuvāk par 15 metriem/50 pēdām
- Pārliecinieties, ka tuvumā neatrodas cilvēki vai dzīvnieki, kas var nonākt saskarē ar griešanas aprīkojumu.
- Pārbaudiet darba zonu. Novāciet priekšmetus, kas var tikt izmesti, darba gaitā tiem pieskatoties.
- Vienmēr ieņemiet drošu un stabilu darba stāju.
- Nekādā gadījumā neatstājiet produktu bez uzraudzības, ja darbojas motors.
- Raugiet, lai rokas un kāju pēdas nenonāk kontaktā ar griezējmežglu, kad darbojas motors.
- Ja kaut kas iekeras nažos darba laikā, pirms nažu tīrīšanas pilnīgi jāapstādina motors un sveces kabelis jāatvieno no aizdedzes sveces. Atvienojiet aizdedzes sveces uzgali no aizdedzes sveces.
- Kad motors tiek izslēgts, nepieskarieties griezējmežgla ar rokām vai kāju pēdām, pirms tas ir pilnībā apstājies.
- Uzmanieties no zaru gabaliņiem, kas tiek izmesti griešanas laikā.
- Lietojot dzirdes aizsarglīdzekļus, vienmēr uzmanīgi klausieties, lai sadzirdētu brīdinājumu signālus vai saucienus. Kad motors apstājas, vienmēr noņemiet dzirdes aizsarglīdzekļus.
- Nekad neestrādājiet, stāvot uz trepēm vai paliiktna vai kāda cita nenostiprināta paaugstinājuma.
- Izstrādājumu vienmēr turiet ar abām rokām. Turiet izstrādājumu sev priekšā.
- Ja izstrādājums saskaras ar svešķermeni vai rodas spēcīgas vibrācijas, nekavējoties izslēdziet izstrādājumu. Atvienojiet aizdedzes sveces uzgali no aizdedzes sveces. Pārbaudiet, vai izstrādājums nav bojāts. Salabojiet iespējamās bojājumus.
- Lai izvairītos no elektriskās strāvas trieciena, pārbaudiet, vai aizdedzes sveces uzmava un aizdedzes vads nav bojāts.
- Pārbaudiet vai visas skrūves un uzgriežņi ir pievilkti.
- Gādājiet, lai pārnēsunkārba ir labi ieeļļota. Skatiet: *Pārnēsunkārbas (reduktora) kartera ieeļļošana lpp. 211.*
- Izstrādājuma lietošanas laikā pārnēsunkārba sakarst. Lai neapdedzinātos nepieskarieties pārnēsunkārbai.
- Pirms iedarbināšanas ir jābūt uzstādītiem visiem pārsegumiem aizsargiem.
- Ja asmeņi iestrēgst, tos var atbrīvot, ievietojot pārnēsunkārbā kombinēto uzgriežņu atslēgu. Ievietojiet kombinēto uzgriežņu atslēgu zobpārvadā un pagrieziet to uz priekšu un atpakaļ. Skatiet: *Pārnēsunkārbas (reduktora) kartera ieeļļošana lpp. 211.*

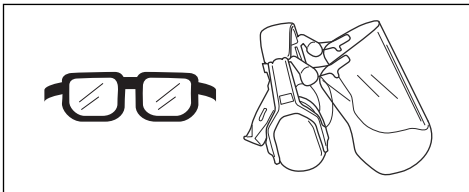
- Kad izstrādājums netiek izmantots, uz griezējmezgla vienmēr ir jāuzliek transportēšanas aizsargs.

Individuālie aizsarglīdzekļi

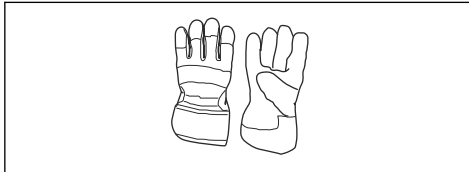


BRĪDINĀJUMS: Pirms sākat lietot izstrādājumu, izlasiet tālāk izklāstītās brīdinājuma instrukcijas.

- Izmantojot izstrādājumu, vienmēr lietojiet apstiprinātus individuālos aizsarglīdzekļus. Šādi līdzekļi nevar pilnībā novērst traumu gūšanas risku, taču samazina traumu smaguma pakāpi, ja negadījums tomēr notiek. Ļaujiet izplatītajam palīdzēt jums izvēlēties pareizo aprīkojumu.
- Lietojiet tādus dzirdes aizsarglīdzekļus, kas nodrošina pietiekamu trokšņa slāpēšanu. Ilgstoša uzturēšanās troksnī var radīt būtiskus dzirdes bojājumus.
- Izmantojiet apstiprinātus acu aizsarglīdzekļus. Apstiprinātas aizsargbrilles ir jālieto arī tad, ja tiek izmantots sejsēgs. Apstiprinātas aizsargbrilles ir tādas, kas atbilst ASV standarta ANSI Z87.1 ASV vai standarta EN 166 prasībām ES valstīs.



- Vajadzības gadījumā izmantojiet cimdus, piemēram, piespīrinot, pārbaudot vai fīrot griešanas ierīci.



- Lietojiet izturīgus, neslīdošus zābakus vai kurpes.



- Lietojiet izturīga auduma apģērbu. Vienmēr valkājiet biezas, garas bikses un apģērbu ar garām piedurknēm. Nevalkājiet vaļīgu apģērbu, kas viegli var iekerties krūmos un zaros. Nenēsājiet rotaslietas, nevelciet šortus, sandales un nestrādājiet basām kājām. Sakārtojiet matus droši virs pleciem.

- Gādājiet, lai tuvumā būtu pirmās palīdzības piederumi.



Izstrādājuma drošības ierīces

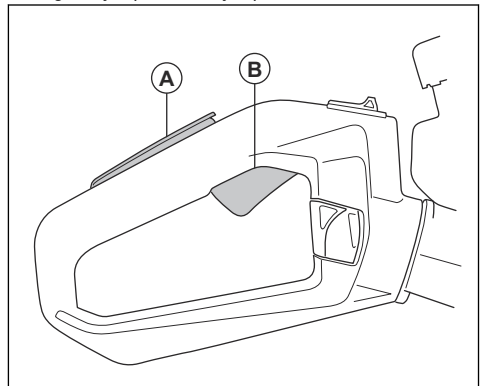


BRĪDINĀJUMS: Pirms sākat lietot izstrādājumu, izlasiet tālāk izklāstītās brīdinājuma instrukcijas.

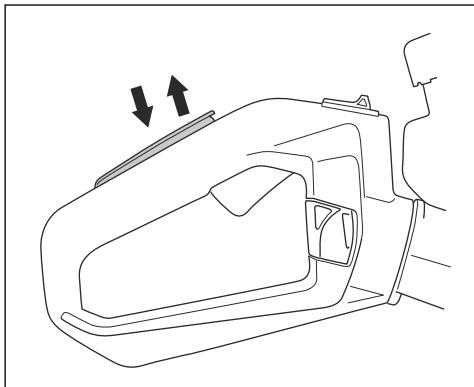
- Nelietojiet izstrādājumu ar bojātām drošības ierīcēm.
- Regulāri pārbaudiet drošības ierīces. Ja drošības ierīces ir bojātas, sazinieties ar savu McCULLOCH servisa pārstāvi.

Droseles mēlītes bloķētāja pārbaude

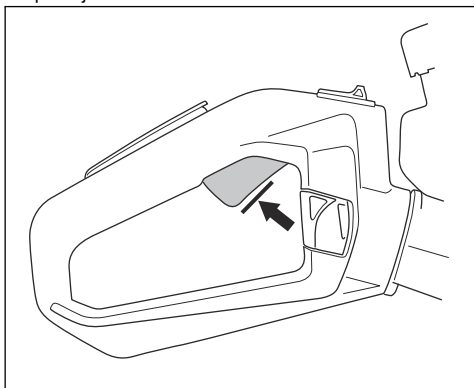
1. Pārbaudiet, vai droseles mēlītes bloķētājs (A) un droseles mēlīte (B) brīvi pārvietojas un atgriezējatspere darbojas pareizi.



2. Nospiediet uz leju droseles mēlītes bloķēšanas mehānismu un pārbaudiet, vai tas ieņem sākotnējo stāvokli, kad to atlaiž.



3. Atlaidiet droseles mēlītes bloķētāju un pārbaudiet, vai droseles mēlīte ir bloķēta brīvgaitas ātruma pozīcijā.



4. Iedarbiniet dzinēju un padodiet pilnu jaudu.
5. Atlaidiet droseles mēlīti un pārbaudiet, vai asmeņi ir pilnībā apstājušies.



BRĪDINĀJUMS: Ja asmeņi ir kustībā, kad droseles mēlīte ir brīvgaitas ātruma pozīcijā, noregulējiet brīvgaitas apgriezīenu skaitu. Skatiet šeit: *Tukšgaitas apgriezīenu skaita regulēšana lpp. 210.*

Apturēšanas slēdža pārbaude

1. Iedarbiniet dzinēju.
2. Pabīdiet slēdzi izslēgšanas stāvoklī un pārliecinieties, vai dzinējs ir apstājies.



BRĪDINĀJUMS: Apturēšanas slēdzis automātiski atgriežas sākotnējā stāvoklī. Lai

nepieļautu nejaušu iedarbināšanu, izņemiet aizdedzes sveces uzgali no aizdedzes sveces, kad veicat izstrādājuma montāžu vai apkopi.

Rokas aizsarga pārbaude

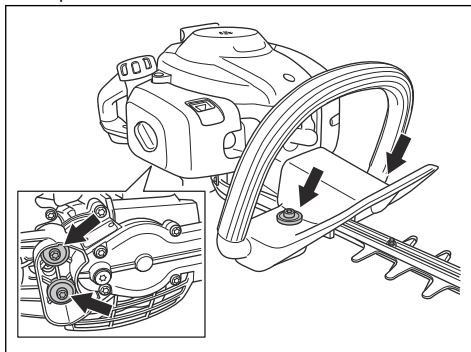
Rokas aizsargs pasargā rokas no traumām, ko var radīt asmeņi.

1. Apturiet dzinēju.
2. Pārliecinieties, ka rokas aizsargs ir pareizi pievienots.
3. Pārbaudiet, vai rokas aizsargs nav bojāts.

Vibrāciju slāpēšanas sistēmas pārbaude

Vibrāciju slāpēšanas sistēma samazina rokturu vibrāciju. Vibrāciju slāpēšanas bloki darbojas kā atdalītāji starp izstrādājuma korpusu un roktura bloku.

1. Vizuāli pārbaudiet, vai nav deformācijas un bojājumu.
2. Pārbaudiet, vai ir pareizi pievienoti vibrāciju slāpēšanas elementi.



Slāpētāja pārbaude



BRĪDINĀJUMS: Nelietojiet izstrādājumu bez slāpētāja vai ar bojātu slāpētāju. Bojāts slāpētājs var paaugstināt trokšņa līmeni un aizdegšanās risku. Neizmantojiet izstrādājumu bez dzirksteļu uztvērēja sieta vai ja dzirksteļu uztvērēja siets ir bojāts. Ja dzirksteļu uztvērēja siets ir bojāts, tas jānomaina.



BRĪDINĀJUMS: Izmantotā trokšņu slāpētājā un dzirksteļu uztvērējā var būt kancerogēnas degošas daļiņas. Izmantojiet aizsargcimdus un veiciet uzturēšanu labi vēdināmā vidē, lai izvairītos no ādas saskares ar kancerogēnām daļiņām vai to ieelpošanas. Dzirksteļu uztvērēja tīrīšanai neizmantojiet saspiestu gaisu. Izmantojiet

tērauda stieplu suku un, tīrot dzirksteļu uztvērēju, slaukiet virzienā prom no sevis.



BRĪDINĀJUMS: Slāpētāji lietošanas laikā un pēc tās kļūst ļoti karsti — arī tukšgaitā.



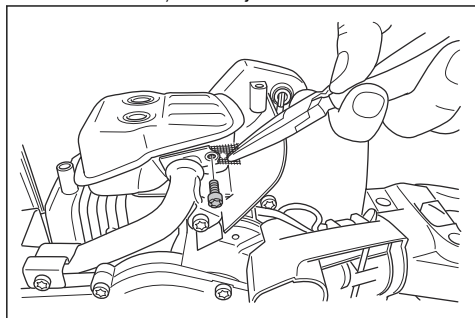
IEVĒROJIET: Ja dzirksteļu uztvērēja siets bieži aizsērē, iespējams, ir pasliktinājies katalizatora darbība. Lai pārbaudītu slāpētāju, sazinieties ar izplatītāju, kas nodrošina apkopi. Aizsērējis dzirksteļu uztvērēja siets izraisīs pārkaršanu, kas, savukārt, radīs cilindra un virzuļa bojājumus.



BRĪDINĀJUMS: Slāpētāja iekšējās virsmas satur ķīmiskas vielas, kas var izraisīt vēzi. Esiet piesardzīgs, lai nepieskartos šiem elementiem, ja slāpētājs ir bojāts.

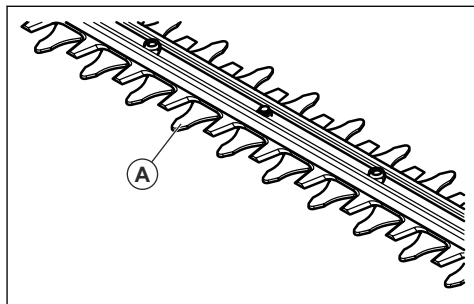
Slāpētājs maksimāli mazina troksni un novirza dzinēja izplūdes gāzes prom no operatora. Slāpētājs ar katalizatoru samazina kaitīgās izplūdes gāzes.

1. Apturiet dzinēju.
2. Vizuāli pārbaudiet, vai nav bojājumu un deformācijas.
3. Pārlicinieties, ka trokšņa slāpētājs ir pareizi piestiprināts izstrādājumam.
4. Notīriet dzirksteļu uztvērēja sietu ar metāla suku.

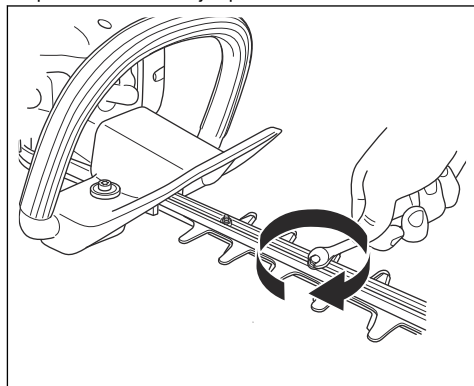


Asmens un asmens aizsarga pārbaude

Asmeņu ārējās daļas (A) pilda asmeņu aizsargu funkciju. Asmeņu aizsargs neļauj lietotājam nejauši saskarties ar asmeni.



1. Izslēdziet dzinēju un pārlicinieties, vai griezējmezgls ir apstājies.
2. Noņemiet aizdedzes sveces uzgali no aizdedzes sveces.
3. Uzvelciet aizsargcimdus.
4. Pārbaudiet, vai asmens un asmens aizsargs nav bojāts vai salocīts. Noteikti nomainiet bojāto vai salocīto asmeni.
5. Gādājiet, lai griezējmezgla skrūves būtu pieskrūvētas. Skrūvju spriedzes moments 7–10 Nm.



Drošības norādījumi, rīkojoties ar degvielu



BRĪDINĀJUMS: Pirms sākat lietot izstrādājumu, izlasiet tālāk izklāstītās brīdinājuma instrukcijas.

- Nelietojiet izstrādājumu, ja uz tā ir degviela vai dzinēja eļļa. Notīriet nevēlamo degvielu/eļļu un ļaujiet izstrādājumam nožūt.
- Ja degviela ir nokļuvusi uz apģērba, nekavējoties pārģērbieties.
- Neļaujiet degvielai nonākt uz ķermeņa, jo tā var izraisīt savainojumus. Ja degviela ir nonākusi uz ķermeņa, izmantojiet ziepes un ūdeni, lai to nomazgātu.
- Nelietojiet izstrādājumu, ja dzinējā ir sūce. Regulāri pārbaudiet, vai dzinējam nav radusies sūce.

- Rīkojoties ar degvielu, esiet uzmanīgs. Degviela ir viegli uzliesmojoša, tās tvaiki ir sprādzienbīstami, un var izraisīt savainojumus vai nāvi.
- Neieelpojiet degvielas tvaikus, jo tie var izraisīt savainojumus. Pārliedzinieties, vai gaisa plūsma ir pietiekama.
- Nesmēķējiet degvielas vai dzinēja tuvumā.
- Nenovietojiet siltus objektus degvielas vai dzinēja tuvumā.
- Nepievienojiet degvielu dzinēja darbības laikā.
- Pirms degvielas uzpildes pārliedzinieties, vai dzinējs ir atdzisis.
- Pirms uzpildes lēni atveriet degvielas tvertnes vāciņu un uzmanīgi izlaidiet spiedienu.
- Neveiciet dzinēja degvielas uzpildi telpās. Nepietiekama gaisa plūsma var izraisīt savainojumus vai nāvi, nosmokot vai saindējoties ar oglekļa monoksīdu (tvana gāzi).
- Pilnībā piegrieziet degvielas tvertnes vāciņu. Ja degvielas tvertnes vāciņš nav piegriezts, pastāv aizdegšanās risks.
- Pirms iedarbināšanas pārvietojiet izstrādājumu vismaz 3 m (10 pēdas) no vietas, kur piepildījāt tvertni.
- Nepiepildiet degvielas tvertni pilnībā. Siltuma ietekmē degviela izplešas. Atstājiet degvielas tvertnes augšdaļu tukšu.
- Izslēdziet dzinēju un pārliedzinieties, vai griešanas aprīkojums ir apstājies. Pirms veicat apkopi, ļaujiet izstrādājumam atdzist.
- Pirms apkopes darbu veikšanas atvienojiet aizdedzes sveces uzgali.
- Dzinēja gāzu izplūdes satur oglekļa monoksīdu, kas ir bezkrāsaina, indīga un ļoti bīstama gāze, kura var izraisīt nāvi. Nedarbiniet izstrādājumu iekštelpās vai slēgtās telpās.
- Dzinēja izplūdes gāzes ir karstas, un tajās var būt dzirksteles. Nedarbiniet izstrādājumu telpās vai ugunsnedrošu materiālu tuvumā.
- Piederumi un pārveidojumi izstrādājumā, kurus ražotājs nav apstiprinājis, var izraisīt nopietnas traumas vai nāvi. Nepārveidojiet izstrādājumu. Vienmēr izmantojiet oriģinālos piederumus.
- Ja apkope netiek veikta pareizi un regulāri, palielinās traumu gūšanas risks un bojājumu izstrādājumam risks.
- Veiciet tikai to apkopi, kas ir ieteikta šajā lietotāja rokasgrāmatā. Ļaujiet pilnvarotā McCULLOCH servisa pārstāvim veikt visu pārējo apkopi.
- Ļaujiet pilnvarotā McCULLOCH servisa pārstāvim regulāri veikt izstrādājuma apkopi.
- Nomainiet bojātās, nodilušās un salūzušās detaļas.

Norādījumi par drošu apkopi



BRĪDINĀJUMS: Pirms sākat lietot šo izstrādājumu, izlasiet zemāk izklāstītos brīdinājumus.

Lietošana

Ievads



BRĪDINĀJUMS: Pirms produkta lietošanas izlasiet un izprotiet drošības norādījumus.

Degviela

Šim izstrādājumam ir divtaktu dzinējs.



IEVĒROJIET: Nepareiza veida degviela var sabojāt dzinēju. Izmantojiet benzīna un divtaktu dzinēja eļļas maisījumu.

Iepriekš sajaukta degviela

- Lai uzlabotu veiktspēju un pagarinātu motora darbību, izmantojiet McCULLOCH iepriekš sajauktu alkilātu degvielu. Šī degviela satur mazāk ķīmisku vielu, salīdzinot ar parasto degvielu, tādējādi tiek samazināts kaitīgo izplūdes gāzu apjoms. Izmantojot šo degvielu, atliekvielu līmenis pēc

sadedzšanas ir zemāks, kas saglabā tīrus motora komponentus.

Degvielas sajaukšana

Benzīns

- Izmantojiet labas kvalitātes bezsvina benzīnu ar maksimālo etanola saturu 10%.



IEVĒROJIET: Neizmantojiet benzīnu, kura oktānskaitlis ir mazāks nekā 90 RON/87 AKI. Degviela ar zemāku oktānskaitli var radīt motora kļaudzēšanu, kas savukārt rada motora bojājumus.

Divtaktu eļļa

- Lai uzlabotu rezultātus un veiktspēju, izmantojiet McCULLOCH divtaktu dzinēja eļļu.
- Ja McCULLOCH divtaktu dzinēja eļļa nav pieejama, izmantojiet kvalitatīvu divtaktu dzinēju eļļu, kas

paredzēta motoriem ar gaisa dzesēšanu. Lai izvēlētu pareizu eļļu, sazinieties ar vietējo apkopes sniedzēju.



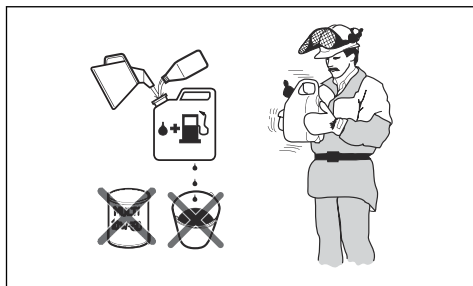
IEVĒROJIET: Nelietojiet divtaktu dzinēja eļļu, kas paredzēta ar ūdeni dzesējamiem piekarināmiem dzinējiem; šādu eļļu dēvē arī par piekarināmu dzinēju eļļu. Nelietojiet četrtaktu dzinējiem paredzētu eļļu.

Benzīna un divtaktu dzinēja eļļas sagatavošana

Benzīns, litri	Divtaktu dzinēja eļļa, litri
	2% (50:1)
5	0,10
10	0,20
15	0,30
20	0,40



IEVĒROJIET: Samaisot mazu degvielas daudzumu, nelielas kļūdas var būtiski ietekmēt maisījuma attiecību. Rūpīgi nomēriet eļļas daudzumu un pārbaudiet, vai tiek iegūts pareizs maisījums.



1. Iepildiet pusi benzīna daudzuma tīrā degvielas tvertnē.
2. Pievienojiet visu daudzumu eļļas.
3. Sakratiet degvielas maisījumu.
4. Pievienojiet tvertnē pārējo benzīna daudzumu.
5. Rūpīgi sakratiet degvielas maisījumu.

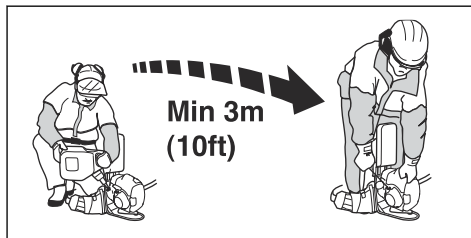


IEVĒROJIET: Vienā reizē sajauciet degvielu, lai tās pietiek tikai 1 mēnesim.

Degvielas tvertnes uzpilde

1. Satīriet ap degvielas tvertnes vāciņu.

2. Sakratiet tvertni un pārbaudiet, vai degviela ir pilnībā sajaucusies ar eļļu. Lietojiet degvielas tvertni, kurai ir pretizlīšanas vārsts.
3. Noņemiet degvielas tvertnes vāciņu.
4. Uzpildiet degvielas tvertni.
5. Rūpīgi pievelciet degvielas tvertnes vāciņu.
6. Pirms izstrādājuma iedarbināšanas pārvietojiet to vismaz 3 m (10 pēdu) attālumā no degvielas uzpildīšanas vietas un degvielas avota.

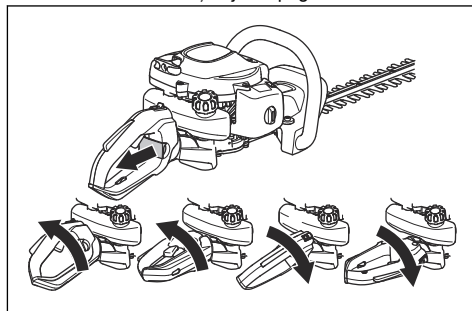


IEVĒROJIET: Tvertnes piesārņojums izraisa darbības traucējumus. Regulāri izīriiet degvielas tvertni un nomainiet degvielas filtru reizi gadā vai biežāk.

Roktura regulēšana (ERGOLITE 6028)

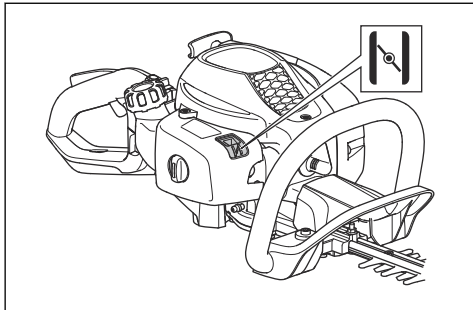
Aizmugurējā roktura augstumu var regulēt 5 pozīcijās.

- Attalaidiet roktura bloķētāju un pagrieziet rokturi.



Izstrādājuma iedarbināšana, ja dzinējs ir auksts

1. Pavelciet gaisa vārsta vadību līdz gaisa vārsta pozīcijai.



2. Nospiediet atgaisošanas sūkņa balonu apmēram 6 reizes vai līdz degviela uzpilda balonu. Atgaisošanas sūkņa balons nav obligāti jāuzpilda līdz galam.
3. Ar kreiso roku piespiediet izstrādājumu pie zemes. Nekāpiet uz izstrādājuma.
4. Lēni velciet startera auklu ar labo roku, līdz sajūtat pretestību, pēc tam pavelciet startera auklas rokturi ātri un ar spēku.



BRĪDINĀJUMS: Netiniet startera auklu ap roku.



IEVĒROJIET: Neizvelciet startera auklu līdz galam un neatlaidiet startera auklas rokturi.

5. Turpiniet vilkt startera auklas rokturi, līdz dzinējs iedarbojas, pēc tam paspiediet gaisa vārsta vadību tās sākotnējā pozīcijā.



BRĪDINĀJUMS: Kad dzinējs ir iedarbināts, asmeņi sāk kustēties.

6. Turpiniet vilkt startera auklas rokturi, līdz dzinējs sāk darboties.
7. Lai iestatītu dzinēja brīvgaitas apgriezīenu skaitu, piespiediet un atlaidiet droseles mēlīti.
8. Lai palielinātu dzinēja apgriezienus, pakāpeniski pabīdīet droseles mēlīti.

9. Pārļiecinieties, vai dzinējs darbojas vienmērīgi.

Izstrādājuma iedarbināšana, ja dzinējs ir auksts

1. Ar kreiso roku piespiediet izstrādājumu pie zemes. Nekāpiet uz izstrādājuma.
2. Lēni velciet startera auklu ar labo roku, līdz sajūtat pretestību, pēc tam pavelciet startera auklas rokturi ātri un ar spēku. Turpiniet, līdz dzinējs tiek iedarbināts.

Piezīme: Papildinformāciju par izstrādājuma iedarbināšanu skatiet šeit: *Izstrādājuma iedarbināšana, ja dzinējs ir auksts lpp. 208.*

Izstrādājuma izslēgšana

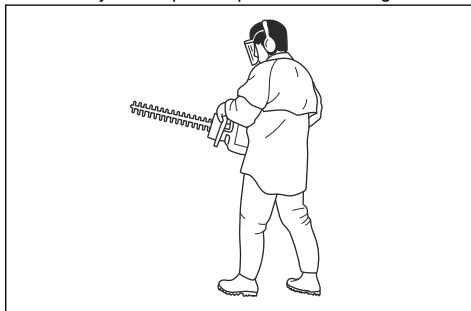
- Pārbīdīet apturēšanas slēdzi dzinēja apturēšanas stāvoklī.



IEVĒROJIET: Apturēšanas slēdzis automātiski atgriežas darbības stāvoklī.

Izstrādājuma darbināšana

1. Apgriežot dzīvzoga malas, virziet izstrādājumu no dzīvzoga apakšas uz augšu. Raugieties, lai izstrādājuma korpuss nepieskartos dzīvzogam.



BRĪDINĀJUMS: Raugieties, griešanas aprīkojuma priekšējā daļa nepieskartos zemei.

2. Noregulējiet ātrumu, lai tas atbilstu darba slodzei.
3. Lai nodrošinātu stabilu darba pozīciju, turiet izstrādājumu tuvu ķermenim.
4. Esiet uzmanīgs un strādājiet ar izstrādājumu lēnām.

Apkope

Ievads



BRĪDINĀJUMS: Pirms ķēdes zāģa apkopes veikšanas izlasiet un izprotiet sadaļu par drošības pasākumiem.

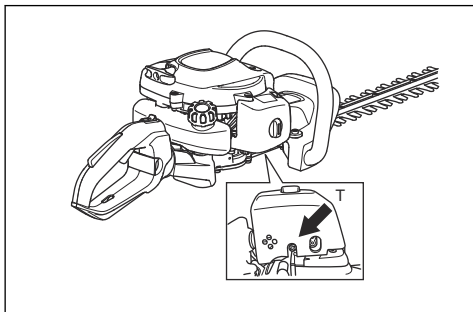
Apkopes grafiks

Apkope	Pirms izmantošanas	Pēc 40 h	Pēc 100 h
Notīriet ārējo virsmu.		Pēc katras lietošanas.	
Notīriet no slāpētāja, izplūdes caurules un dzinēja lapas, nefirumus un smērvielas pārpalikumus.		Pēc katras lietošanas.	
Pārbaudiet, vai griezējmezgls nekustas, dzinējam darbojoties tukšgaitā.	X		
Pārbaudiet apturēšanas slēdzi. Skatiet šeit: <i>Apturēšanas slēdža pārbaude lpp. 204.</i>	X		
Pārbaudiet, vai griezējmezgls nav bojāts vai ieplaisājis. Ja nepieciešams, nomainiet.	X		
Pārbaudiet, vai rokas aizsargs nav bojāts vai ieplaisājis. Ja nepieciešams, nomainiet.	X		
Pārbaudiet droseles mēlītes bloķētāju un droseles mēlīti. Skatiet šeit: <i>Droseles mēlītes bloķētāja pārbaude lpp. 203.</i>	X		
Pārbaudiet, vai dzinējā, degvielas tvertnē un degvielas caurulē nav noplūdes.	X		
Pievelciet uzgriežņus un skrūves.	X		
Iztīriet vai nomainiet trokšņu slāpētāja dzirksteļu uztvērēja režģi. Skatiet šeit: <i>Slāpētāja pārbaude lpp. 204.</i>		X	
Pārbaudiet, vai nav bojāts starteris un startera aukla.		X	
Pārbaudiet, vai skrūves, kas tur asmeņus, ir pietiekami piegrieztas.		X	
Iztīriet gaisa filtru. Veiciet tīrīšanu biežāk, ja izstrādājums tiek izmantots putekļainās vietās. Ja nepieciešams, nomainiet.		X	
Pārbaudiet, vai vibrāciju slāpēšanas elementi nav bojāti vai ieplaisājuši. Ja nepieciešams, nomainiet.		X	
Notīriet aizdedzes sveces ārējo virsmu un ap to esošo laukumu. Noņemiet aizdedzes sveci un izmēriet elektrodu atstarpus. Noregulējiet elektrodu atstarpus vai nomainiet aizdedzes sveci. Skatiet šeit: <i>Aizdedzes sveces pārbaude lpp. 210.</i>		X	
Iztīriet dzesēšanas sistēmu.		X	
Notīriet karburatora ārējo virsmu un ap to esošo laukumu.		X	
Pārbaudiet, vai degvielas filtrs nav piesārņots un vai degvielas šļūtenē nav ieplaisājumu vai citu defektu. Ja nepieciešams, nomainiet.			X
Notīriet dzirksteļu uztvērēja sienu uz slāpētāja, nomainiet to, ja nepieciešams, nomainiet.			X

Apkope	Pirms izmantošanas	Pēc 40 h	Pēc 100 h
Iztīriet degvielas tvertni no iekšpuses.			X
Nomainiet aizdedzes sveci.			X
Pārbaudiet, vai nav nodilis sajūgs, sajūga atsperes un sajūga cilindrs. Bojājumu gadījumā nomaīņa ir jāveic apstiprinātām izplatītājam, kas nodrošina apkopi.			X
Pārliecinieties, vai pārnesumkārbas (reduktora) karteris ir piepildīts ar smērvielu.			X
Pārbaudiet visus kabelus un savienojumus.			X

Tukšgaitas apgriezienu skaita regulēšana

1. Iztīriet gaisa filtru un piestipriniet gaisa filtra vāku.
2. Iedarbiniet izstrādājumu. Skatiet šeit: *Izstrādājuma iedarbināšana, ja dzinējs ir auksts lpp. 208.*
3. Vispirms griežiet brīvģaitas regulēšanas skrūvi T pulkstenrādītāju kustības virzienā, līdz griezējmezglis sāk kustēties.



4. Griežiet brīvģaitas regulēšanas skrūvi pretēji pulkstenrādītāju kustības virzienam, līdz griezējmezglis apstājas.



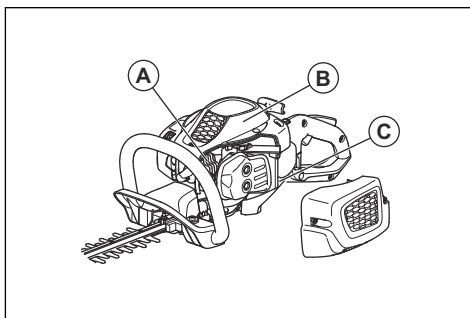
BRĪDINĀJUMS: Ja griezējmezglis neapstājas, regulējot brīvģaitas apgriezienu skaitu, sazinieties ar tuvāko izplatītāju, kas nodrošina apkopi. Nelietojiet izstrādājumu, kamēr tas nav pareizi noregulēts vai saremontēts.

Piezīme: Tukšģaitas apgriezienu skaits ir pareizs, ja dzinējs vienmērīgi darbojas visos režīmos. Ieteicamo brīvģaitas apgriezienu skaitu skatiet šeit: *Tehniskie dati lpp. 213.*

Dzesēšanas sistēmas tīršana

Dzesēšanas sistēma palīdz saglabāt zemu dzinēja temperatūru. Dzesēšanas sistēma ietver dzesēšanas

ribas uz cilindra (A), cilindra pārsegu (B) un kartera gaisa iepļūdi (C).



IEVĒROJIET: Gaisa iepļūdi starp degvielas tvertni un karteri var nobloķēt lapas. Rūpīgi iztīriet gaisa iepļūdi.

1. Tīriet dzesēšanas sistēmu ar suku katru nedēļu vai biežāk, ja nepieciešams.
2. Pārliecinieties, vai dzesēšanas sistēma nav netīra vai aizsērējusi.

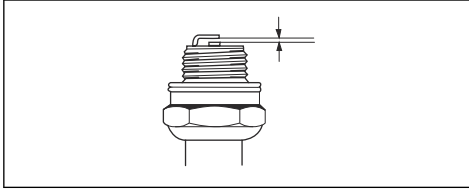
Aizdedzes sveces pārbaude



IEVĒROJIET: Vienmēr lietojiet ieteikto aizdedzes sveces tipu. Nepiemērota aizdedzes svece var radīt izstrādājuma bojājumus.

- Pārbaudiet aizdedzes sveci, ja dzinējam nepietiek jaudas, dzinēju nevar viegli iedarbināt vai arī tas nedarbojas pareizi tukšģaitā.
- Lai samazinātu nevēlamu materiālu uzkrāšanos uz aizdedzes sveces elektrodiem, ievērojiet turpmākos norādījumus.
 - a) Pārliecinieties, vai tukšģaitas apgriezienu skaits ir noregulēts pareizi.
 - b) Pārliecinieties, vai degvielas maisījums ir atbilstošs.
 - c) Pārliecinieties, vai gaisa filtrs ir tīrs.

- Ja aizdedzes svece ir nefīra, notīriet to un pārbaudiet, vai atstātums starp elektrodēm ir pareizs; skatiet šeit: *Tehniskie dati lpp. 213.*

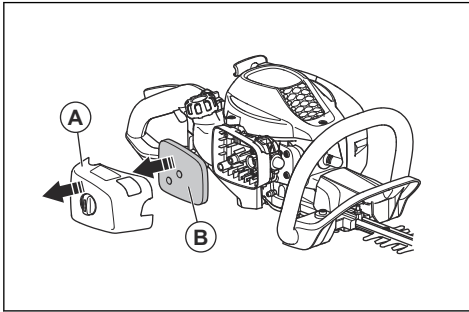


- Ja nepieciešams, nomainiet aizdedzes sveci.

Gaisa filtra tīrīšana

Regulāri notīriet netīrumus un putekļus no gaisa filtra. Tādējādi tiks novērsta karburatora nepareiza darbība, iedarbināšanas problēmas, dzinēja jaudas samazināšanās, dzinēja detaļu nolietošānās un palielināts degvielas patēriņš.

1. Noņemiet gaisa filtra vāku (A).



2. Izņemiet gaisa filtru (B) no filtra ietvara.
3. Iztīriet gaisa filtru ar siltu ziepjūdeni.



IEVĒROJIET: Gaisa filtru, kas ir izmantots ilgu laiku, nevar iztīrīt. Mainiet gaisa filtru regulāri un vienmēr nomainiet bojātu gaisa filtru.

4. Pārliecinieties, vai gaisa filtrs ir sauss.
5. Ieļļojiet gaisa filtru. Skatiet šeit: *Putuplasta gaisa filtra eļļošana lpp. 211.*
6. Notīriet gaisa filtra vāka iekšējo virsmu. Izmantojiet saspiestu gaisu vai suku.

Putuplasta gaisa filtra eļļošana

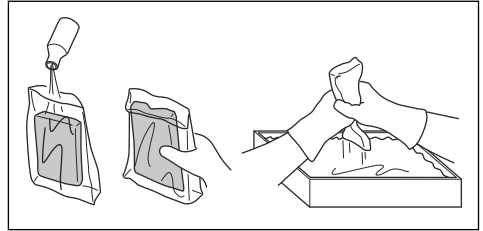


IEVĒROJIET: Vienmēr lietojiet tikai McCULLOCH īpašo gaisa filtru eļļu. Neizmantojiet citu veidu eļļas.



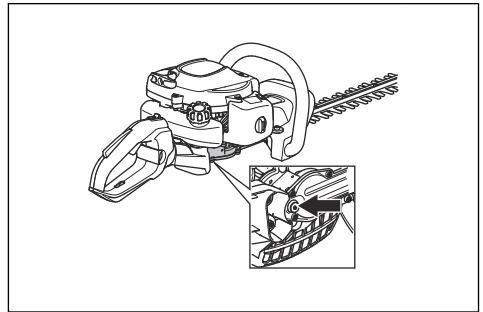
BRĪDINĀJUMS: Uzvelciet aizsargcimdus. Gaisa filtra eļļa var izraisīt ādas kairinājumu.

1. Ievietojiet putuplasta gaisa filtru plastmasas maisiņā.
2. Ielejiet eļļu plastmasas maisiņā.
3. Paberzējiet plastmasas maisiņu plaukstās, lai eļļa tiek vienmērīgi uzklāta uz putuplasta gaisa filtra.
4. Izspiediet eļļas pārpalikumu no putuplasta gaisa filtra, kamēr tas ir maisiņā.



Pārnesumkārbas (reduktora) kartera ieelļošana

- Lietojiet īpašo McCULLOCH smērvielu. Lai iegūtu plašāku informāciju par ieteicamo smērvielu, sazinieties ar izplatītāju, kas nodrošina apkopi.
- Pievienojiet smērvielu caur pārnesumkārbas (reduktora) kartera smērvielas uzpildes vāciņu.



IEVĒROJIET: Nepiepildiet pārnesumkārbas (reduktora) karteri pilnībā.

Asmeņu tīrīšana un ieelļošana

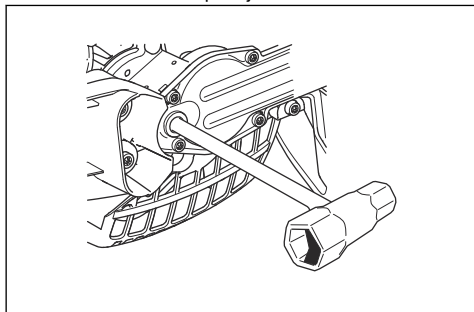
1. Pirms un pēc izstrādājuma izmantošanas notīriet un tā asmeņiem nevēlamos materiālus.
2. Pirms ilga uzglabāšanas perioda ieelļojiet asmeņus.

Piezīme: Lai iegūtu plašāku informāciju par ieteicamajiem tīrīšanas līdzekļiem un smērvielām, sazinieties ar izplatītāju, kas nodrošina apkopi.

Asmeņu pārbaude

1. Noņemiet pārnesumkārbas (reduktora) kartera smērvielas uzpildes vāciņu.

2. Pārliecinieties, vai asmeņi rotē brīvi. Ievietojiet kombinēto uzgriežņu atslēgu pārnesumkārbas (reduktora) karteī un pagrieziet pulkstenrādītāju kustības virzienā un pretēji tai.



3. Pārbaudiet, vai asmeņu malas nav bojātas vai deformētas.
4. Lai likvidētu asmeņu atskarpes, izmantojiet vīli.

Problēmu novēršana

Problēmu novēršana

Dzinējs neiedarbojas		
Problēma	Iespējamais iemesls	Ieteicamā darbība
Startera sprūdi	Startera sprūdi nevar brīvi kustēties.	Noregulējiet vai nomainiet startera aizturus.
		Noīrieti vietu ap aizturiem.
		Sazinieties ar apstiprinātu izplatītāju, kas nodrošina apkopi.
Degvielas tvertne	Nepareizs degvielas tips.	Iztukšojiet un iepildiet pareizo degvielu.
Karburators	Nepareizs brīvgaits apgriezumu skaits.	Noregulējiet brīvgaits apgriezumu skaitu.
Nav dzirksteles	Aizdedzes svece ir netīra vai mitra.	Pārbaudiet, vai aizdedzes svece ir sausa un tīra.
	Nepareiza elektrodu atstarpe.	Noīrieti aizdedzes sveci. Pārliecinieties, vai aizdedzes sveces elektrodu atstarpe ir pareiza. Pārbaudiet, vai aizdedzes svece ir uzstādīta ar slāpētāju. Informāciju par pareizu elektrodu atstarpi skatiet šeit: <i>Tehniskie dati lpp. 213.</i>
Aizdedzes svece	Aizdedzes svece ir vaļīga.	Pielvelciet aizdedzes sveci.

Dzinējs sāk darboties, taču tad apstājas		
Problēma	Iespējamais iemesls	Ieteicamā darbība
Degvielas tvertne	Nepareizs degvielas tips.	Iztukšojiet un iepildiet pareizo degvielu.

Dzinējs sāk darboties, taču tad apstājas		
Problēma	Iespējamais iemesls	Ieteicamā darbība
Karburators	Nepareizs brīvgaitas apgriezienu skaits.	Noregulējiet brīvgaitas apgriezienu skaitu. Skatiet šeit: <i>Tukšgaitas apgriezienu skaita regulēšana lpp. 210</i> . Ja nepieciešams, sazinieties ar izplatītāju, kas nodrošina apkopi.
Gaisa filtrs	Aizsērējis gaisa filtrs.	Iztīriet gaisa filtru.

Asmeņiem		
Problēma	Iespējamie iemesli	Ieteicamā darbība
Asmens kustas lēni vai nekustas vispār.	Asmens ir bloķēts vai bojāts.	Notīriet asmeņus no nevēlamiem materiāliem. Skatiet šeit: <i>Asmeņu tīrīšana un ieeļļošana lpp. 211</i> . Nolīdziniet asmeņu atskarpes, skatiet šeit: <i>Asmeņu pārbaude lpp. 211</i> . Ja asmens ir bojāts, nomainiet to.
Griešana ar asmeni notiek smagi.	Asmens nav ass vai ir bojāts.	Uzasiniet asmeni, skatiet šeit: <i>Asmeņu pārbaude lpp. 211</i> . Ja asmens ir bojāts, nomainiet to.
Asmens sakarst.	S tarp asmeņiem veidojas berze.	Nolīdziniet asmeņu atskarpes un ieeļļojiet tos. Skatiet šeit: <i>Asmeņu pārbaude lpp. 211</i> .

Pārvadāšana, glabāšana un utilizēšana

Pārvadāšana un uzglabāšana

- Pirms izstrādājuma novietošanas glabāšanai vienmēr ļaujiet tam atdzist.
- Attiecībā uz izstrādājuma un degvielas glabāšanu un transportēšanu pārliecinieties, vai nav noplūdes vai tvaiku. Dzirksteles vai atklātas liesmas, ko rada, piemēram, elektroierīces vai tvaika katli, var izraisīt ugunsgrēku.
- Vienmēr izmantojiet apstiprinātas tvertnes degvielas glabāšanai un transportēšanai.
- Pirms transportēšanas vai ilgstošas uzglabāšanas iztukšojiet tvertni. Utilizējiet degvielu atbilstošā utilizēšanas vietā.
- Transportēšanas un glabāšanas laikā piestipriniet transportēšanas aizsargu.

- Noņemiet aizdedzes sveces uzgali no aizdedzes sveces.
- Transportēšanas laikā nostipriniet izstrādājumu. Pārliecinieties, ka tas nevar kustēties.
- Pirms ilgstošas glabāšanas notīriet izstrādājumu un saremontējiet to.

Utilizēšana

- Ievērojiet vietējās prasības un piemērojamus noteikumus.
- Utilizējiet visas ķīmikālijas, piemēram, dzinēja eļļu vai degvielu, servisa centrā vai piemērojamā utilizācijas vietā.
- Utilizējiet izstrādājumu apstiprinātā utilizācijas vietā vai sūtiet uz McCULLOCH utilizācijas veikšanai.

Tehniskie dati

Tehniskie dati

Tehniskie dati	SUPERLITE 4528	ERGOLITE 6028
Dzinējs		

Tehniskie dati	SUPERLITE 4528	ERGOLITE 6028
Cilindra darba tilpums, cm ³	21,7	21,7
Tukšgaitas apgriezību skaits, apgr./min	2800	2800
Ieteicamais maksimālais apgriezību skaits, apgr./min.	9000	9000
Maksimālā dzinēja jauda saskaņā ar ISO 8893, kW/apgr./min.	0,6/7800	0,6/7800
Trokšņa slāpētājs ar katalītisko neitralizatoru	Jā	Jā
Aizdedzes sistēma		
Aizdedzes svece	HQT-4 672201	HQT-4 672201
Attālums starp elektrodiem, mm	0,5	0,5
Degviela		
Degvielas tvertnes tilpums, l	0,3	0,3
Svars		
Svars, kg	4,8	5,0
Trokšņa emisija ³⁷		
Skaņas jaudas līmenis, izmērītais dB (A)	100	100
Skaņas jaudas līmenis, garantētais L _{WA} dB (A)	101	101
Skaņas līmeņi ³⁸		
Ekvivalents skaņas spiediena līmenis pie lietotāja auss, mērīts saskaņā ar EN ISO 10517, dB(A)	93	93
Vibrācijas līmeņi ³⁹		
Ekvivalenti vibrācijas līmeņi (a _{hV,eq}) pie rokturiem, mērīti atbilstoši standartam EN ISO 10517, m/s ² :		
Priekšā/aizmugurē, mm/s ²	3,5/4,4	4,1/5,2
Naži		
Tips	Abpusēji	Abpusēji
Griešanas garums, cm	450	590
Griešanas ātrums, griešana/min.	4050	4050

³⁷ Atbilstoši EK direktīvai 2000/14/EK trokšņa emisija apkārtne ir mērīta kā akustiskā jauda (L_{WA}). Novērotais izstrādājuma skaņas jaudas līmenis ir izmērīts ar pievienotu oriģinālo griešanas ierīci, kas rada augstāko līmeni. Atšķirība starp garantēto un izmērīto skaņas jaudas līmeni ir tāda, ka garantētā skaņas intensitātes līmeņa mērījumu rezultāts ietver arī izkliedi mērījuma rezultātā un atšķirības dažādiem tā paša modeļa izstrādājumiem atbilstoši direktīvai 2000/14/EK.

³⁸ Sniegtajos datos par skaņas spiediena līmeni tipiskā statistiskā izkliede ir 1 dB(A) (standartnovirze).

³⁹ Sniegtajos datos par vibrācijas līmeni tipiskā statistiskā izkliede ir 1 m/s² (standarta novirze).

EK atbilstības deklarācija

ES atbilstības deklarācija

Mēs, **Husqvarna AB**, SE-561 82 Huskvarna, Zviedrija,
tālr. +46-36-146500, ar pilnu atbildību apliecinām, ka šis
izstrādājums:

Apraksts	Dzīvžogu šķēres
Zīmols	McCULLOCH
Tips/modelis	SUPERLITE 4528, ERGOLITE 6028
Identifikācija	Ar sērijas numuriem no 2022 un turpmākiem sērijas numuriem

pilnībā atbilst šādām ES direktīvām un noteikumiem:

Noteikums	Apraksts
2006/42/EK	"par iekārtām"
2014/30/ES	"par elektromagnētisko savietojamību"
2000/14/EK	"par trokšņa emisiju vidēm V pielikums"
2011/65/ES	Par dažādu bīstamo vielu lietošanas ierobežojumiem elektriskajos un elektroniskajos aprīkojumos

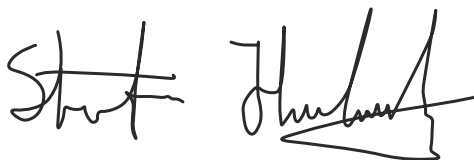
un ir ievēroti zemāk norādītie saskaņotie standarti
un/vai tehniskie dati: EN ISO 12100:2010, EN ISO
10517:2019, EN IEC 63000:2018, EN ISO 14982:2009.

Pilnvarotā iestāde: RISE SMP Svensk Maskinprovning
AB., Box 7035, SE-750 07 Uppsala, Sweden ir veicis
brīvprātīgu tipa pārbaudi Husqvarna AB vārdā.

Sertifikāta numurs: SEC/11/2327

Lai iegūtu informāciju par trokšņa emisiju, skatiet šeit:
Tehniskie dati lpp. 213.

Huskvarna, 2022-02-15



Stefans Holmbergs, rokas darbarīku nodaļas vadītājs,
HH Global Services, Husqvarna AB

Atbildīgais par tehnisko dokumentāciju

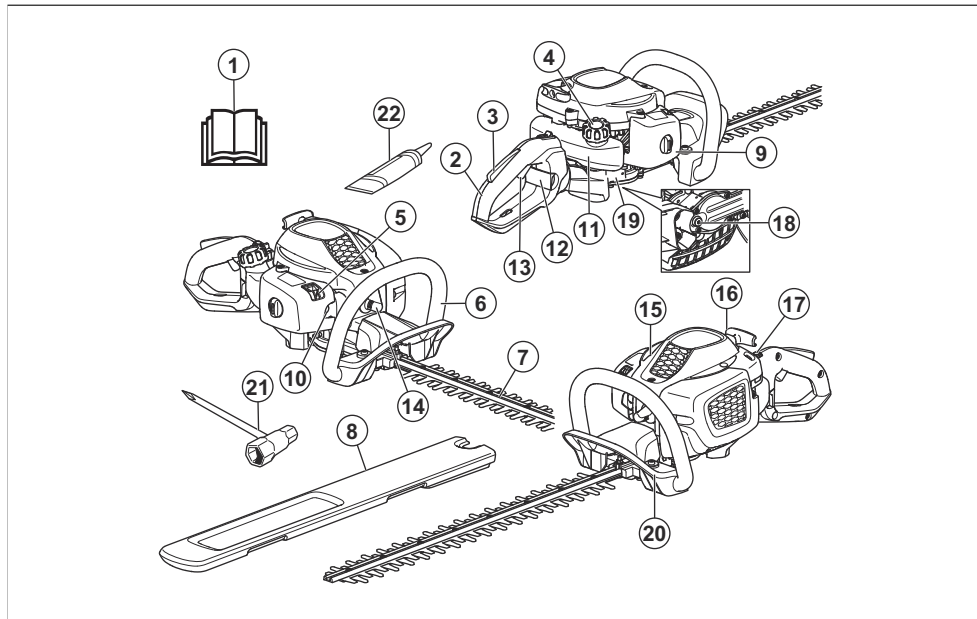


TURINYS

Įvadas.....	216	Gedimai ir jų šalinimas.....	228
Sauga.....	217	Transportavimas, saugojimas ir utilizavimas.....	229
Naudojimas.....	222	Techniniai duomenys.....	229
Techninė priežiūra.....	224	EB atitikties deklaracija.....	231

Įvadas

Gaminio apžvalga



1. Naudojimo instrukcija
2. Galinė rankena
3. Akceleratoriaus gaiduko fiksatorius
4. Degalų bakelio dangtelis
5. Oro sklendės rankenėlė
6. Priekinė rankena
7. Pjovimo diskas ir apsauginis disko gaubtas
8. Transportuoti skirtas apsauginis elementas
9. Oro filtro dangtelis
10. Oro šalinimo siurbliukas
11. Degalų bakelis
12. Rankenos fiksatorius („ErgoLite“)
13. Akceleratoriaus gaidukas
14. Žvakės antgalis ir uždegimo žvakė
15. Cilindro dangtelis
16. Starterio virvės rankena
17. Stabdymo jungiklis
18. Tepalo angos kamštis
19. Pavaros korpusas
20. Rankenėlės apsauga
21. Kombinuotasis veržliaraktis
22. Tepalo tūbelė

Gaminio aprašas

Gaminys yra gyvatvorių žirkklės su vidaus degimo varikliu.

Naudojimas

Gaminį naudokite šakų ir šakelių kirpimui. Nenaudokite gaminio kitiems darbams.

Simboliai ant gaminio



ĮSPĖJIMAS! Šis gaminys gali būti pavojingas ir rimtai sužeisti arba pražudyti naudotoją arba aplinkinius. Būkite atsargūs ir tinkamai naudokite gaminį.



Prieš naudodami, atidžiai perskaitykite naudotojo instrukciją ir įsitikinkite, kad viską gerai supratote.



Naudokite patvirtintas apsaugines ausines ir apsauginius akinius.



Naudokite patvirtintas apsaugines pirštines.



Avėkite patvarius, neslystančius batus.



Oro šalinimo siurbliukas.



Oro sklendė.



Rankenos reguliavimo užraktas



Degalai.



Triukšmo emisija į aplinką atitinka Europos direktyvą 2000/14/EB ir Naujojo Pietų Velso įstatymą „2017 m. aplinkos apsaugos (triukšmo kontrolės) reglamentas“. Triukšmo emisijos duomenys nurodyti įrenginio etiketėje ir skyriuje Techniniai duomenys.



Šis gaminys atitinka taikomas EB direktyvas.

yyyywwxxxx

Nominalių parametrų plokštelė su serijos numeriu. **yyyy** yra pagaminimo metai, o **ww** yra pagaminimo savaitė.

Pasižymėkite: Kiti ant gaminio pateikti simboliai (lipdukai), skirti kai kurių rinkų sertifikavimo reikalavimams.

„Euro V“ standartas



PERSPĖJIMAS: Variklio modifikavimas panaikina šio produkto ES tipo patvirtinimą.

Sauga

Saugos ženklų reikšmės

Įspėjimai, perspėjimai ir pastabos yra skirtos atkreipti dėmesį į ypač svarbias vadovo dalis.



PERSPĖJIMAS: Naudojamas, kai naudotojui ar šalia esantiems asmenims kyla mirtino arba sunkaus sužeidimo pavojus arba, jei nesilaikoma vadove pateiktų nurodymų.



PASTABA: Naudojamas, kai kyla pavojus sugadinti gaminį, kitas medžiagas arba padaryti žalą aplinkai, jei nesilaikoma vadove pateiktų nurodymų.

Pasižymėkite: Naudojamas papildomai informacijai apie konkrečią situaciją pateikti.

Bendrieji saugos nurodymai



PERSPĖJIMAS: Prieš naudodami gaminį, perskaitykite toliau esančius įspėjimus.

- Netinkamai ar nerūpestingai naudodami gaminį galite rimtai ar net mirtinai susižaloti. Todėl ypač svarbu perskaityti ir suprasti šias naudotojo instrukcijas.
- Veikdamas šis gaminys sukuria elektromagnetinį lauką. Tam tikromis aplinkybėmis šis laukas gali trikdyti aktyviųjų arba pasyviųjų medicininių implantų veiklą. Kad sumažėtų sunkaus ar netgi mirtino sužeidimo pavojus, medicininių implantų turintiems asmenims rekomenduojame prieš naudojant šį gaminį pasitarti su gydytoju ir implanto gamintoju.
- Ilgalaikė vibracija gali pakenkti silpnesnės sveikatos žmonių kraujo apytakai ir nervų sistemai. Pajutę pernelyg stiprios vibracijos

sukeltus simptomus, kreipkitės į gydytoją. Simptomai yra sustingimas, jutimo praradimas, dilgčiojimas, badymas, skausmas, silpnumas, odos spalvos ir būklės pakitimas. Šie simptomai dažniausiai pasireiškia pirštuose, plaštakose ar rankų sąnariuose. Rizika padidėja esant žemai temperatūrai.

- Naudojantose duslintuvuose ir kibirkščių gesintuvuose gali būti kancerogeninių degimo dalelių. Dirbdami su duslintuvu arba kibirkščių gesintuvu, venkite šių junginių. Prieš dirbdami duslintuvu arba kibirkščių gesintuvu perskaitykite instrukciją, esančią *Duslintuvo patikra psl. 220*.
- Jei tam tikroje situacijoje nežinosite, kaip pasiegti, teiraukitės specialisto. Kreipkitės į pardavėją ar aptarnavimo dirbtuves. Nedirbkite darbo, kurio nemokate ar jaučiatės nepakankamai kvalifikuotas.
- Atminkite, kad už nelaimingus atsitikimus arba pavojus, kurie gali kilti kitiems žmonėms arba jų turtui, atsako operatorius.
- Niekam kitam niekada neleiskite naudotis gaminio prieš tai neįsitikinę, ar jie suprato naudotojo instrukcijų turinį.
- Niekada neleiskite vaikams naudoti gaminio ar būti arti jo. Gaminys turi spyruoklinį jungimo / išjungimo jungiklį ir jį galima užvesti vos patraukus starterio rankenėlę, todėl net maži vaikai prie tam tikrų aplinkybių gali savo jėgomis užvesti gaminį. Tai reiškia, kad iškyla pavojus sunkiai susižeisti. Todėl nuimkite žvakės antgalį, kai gaminys lieka be priežiūros.
- Gaminį laikykite ten, kur jo negali pasiekti vaikai.
- Niekada nenaudokite gaminio, jei esate pavargę, jei vartojote alkoholį ar vaistus, kurie gali turėti įtakos jūsų regėjimui, nuovokai ar koordinacijai.
- Niekada nenaudokite techniškai netvarkingo gaminio. Įrenginį reguliariai tikrinkite ir techniškai prižiūrėkite, kaip nurodyta šioje naudojimo instrukcijoje. Kai kuriuos techninės priežiūros darbus gali atlikti tik išmokyti ir kvalifikuoti specialistai. Žr. skyriuje „Techninė priežiūra“ pateiktas instrukcijas.
- Niekada nenaudokite gaminio, kurio konstrukcija yra pakeista ir neatitinka gamyklinių specifikacijų.

Naudojimo saugos instrukcijos



PERSPĖJIMAS: Prieš naudodami gaminį, perskaitykite toliau esančius įspėjimus.

- Niekada nenaudokite gaminio ekstremaliomis klimatinėmis sąlygomis, pvz., esant dideliam šalčiui ar labai karštam ir / arba drėgnam klimatui.
- Pažeisti peiliai gali padidinti nelaimingų atsitikimų riziką.
- Užtikrinkite, kad dirbant prie jūsų arčiau nei 15 metrų / 50 pėdų neprisiartintų žmonės ar gyvūnai.

- Prieš užvesdami pjovimo įrangą, visada apsidairykite ir įsitinkite, ar ji nesužeis kitų netoliese esančių žmonių ar gyvūnų.
- Patikrinkite darbo zoną. Pašalinkite daiktus, kurie gali pakilti nuo žemės.
- Visada įsitinkite, kad jūsų darbo padėtis yra saugi ir stabilii.
- Niekuomet nepalikite gaminio be priežiūros, kai veikia variklis.
- Įsitinkite, ar veikiant varikliui rankos ir kojos neliečia pjovimo agregato.
- Jei kas nors darbo metu įstrigtų peiliuose, būtina išjungti variklį, sustoti ir prieš nuvalant peilius, kabelį atjungti nuo uždegimo žvakės. Atjunkite uždegimo žvakės antgalį nuo uždegimo žvakės.
- Išjungus variklį, rankomis ir kojomis nelieskite pjovimo agregato, kol jis visiškai sustos.
- Saugokitės šakų nuolaužų, kurios gali būti išmetamos į orą pjovimo metu.
- Jeigu dėvėsite apsaugines ausines, būkite atidūs, kad išgirdumėte galimus įspėjamuosius signalus ar šūksnius. Išjungę variklį, visada nusiimkite apsaugines ausines.
- Niekada nedirbkite stovėdami ant kopėčių, suoliuko ar kito netvirtai pakelto pagrindo.
- Gaminį visada laikykite dviem rankom. Gaminį visada laikykite priešais kūną.
- Jei gaminį paliečia pašalinis objektas arba susidaro vibracijos, sustabdykite įrenginį. Atjunkite uždegimo žvakės antgalį nuo uždegimo žvakės. Patikrinkite, ar gaminys nepažeistas. Suremontuokite pažeidimus.
- Patikrinkite, ar nepažeistas uždegimo žvakės dangtelis ir uždegimo laidas, kad išvengtumėte elektros smūgio.
- Patikrinkite, ar visos veržlės ir varžtai yra priveržti.
- Įsitinkite, kad pavarų dėžė pakankamai sutepta. Žr. *Pavaros korpuso tepimas psl. 227*.
- Naudojant gaminį įkaista pavarų dėžė. Nelieskite pavarų dėžės norėdami išvengti nudegimo žaizdų.
- Prieš užvedant įrenginį visi gaubtai ir apsaugos privalo būti pritvirtinti.
- Jeigu diskai įstringa, juos galima atlaisvinti į pavarų dėžę įstačius kombinuotąjį veržliaraktį. Įstatykite kombinuotąjį veržliaraktį į pavarų dėžę ir sukite jį pirmyn ir atgal. Žr. *Pavaros korpuso tepimas psl. 227*.
- Apsauginis dėklas visada turi būti ant pjovimo agregato, jei gaminys nenaudojamas.

Asmeninės apsauginės priemonės

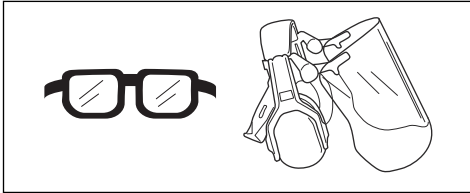


PERSPĖJIMAS: Prieš naudodami gaminį, perskaitykite toliau esančius įspėjimus.

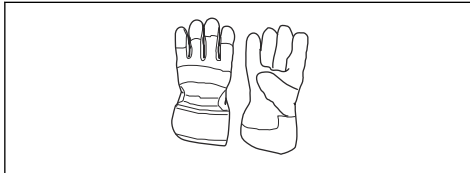
- Naudojami įrenginį būtina dėvėti patvirtintas asmenines apsaugines priemones. Asmeninės apsauginės priemonės nepadės visiškai išvengti

pavojaus susižeisti, tačiau nelaimingo atsitikimo atveju mažiau nukentėsite. Leiskite prekybos atstovui padėti pasirinkti tinkamą įrangą.

- Naudokite pakankamomis garso slopinimo savybėmis pasižyminčias patvirtintas apsaugines ausines. Ilgalaikis triukšmo poveikis gali nesugrąžinamai pakenkti klausai.
- Naudokite patvirtintas akių apsaugos priemonės. Jei naudojamas apsauginis skydelis, turi būti nešiojami ir patvirtinti apsauginiai akiniai. Patvirtinti apsauginiai akiniai yra tie, kurie atitinka JAV ANSI Z87.1 standartą arba ES EN 166 standartą.



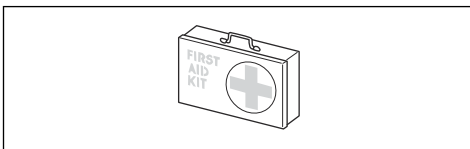
- Kai būtina, pvz., montuojant, apžiūrint arba valant pjovimo įrangą, užsimaukite pirštines.



- Naudokite tvirtus, neslystančius aulinius batus ar pusbačius.



- Vilkėkite iš stiprios medžiagos pagamintus drabužius. Būtinai mūvėkite tvirtas, ilgas kelnes, vilkėkite aprangą ilgomis rankovėmis. Nevilkėkite laisvų drabužių, kurie gali užkibti už krūmokšnių ir šakų. Nenešiokite papuošalų, trumpų kelnų ar atvirų batų ir nevaikščiokite basomis. Saugiai susisėkite plaukus aukščiau pečių.
- Netoliese turi būti pirmosios pagalbos vaistinė.



Gaminio apsauginės priemonės

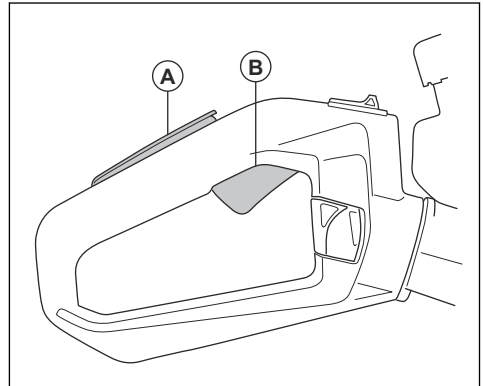


PERSPĖJIMAS: Prieš naudodami gaminį, perskaitykite toliau esančius įspėjimus.

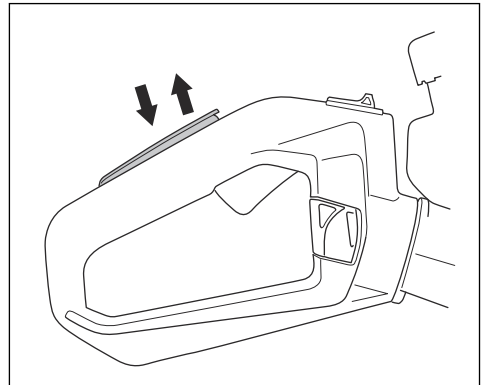
- Nesinaudokite gaminiu, jei jo apsauginės priemonės yra netvarkingos.
- Reguliariai tikrinkite apsaugines priemones. Jei apsauginės priemonės yra pažeistos, pasitarkite su McCULLOCH techninės priežiūros atstovu.

Akceleratoriaus gaiduko fiksatoriaus patikra

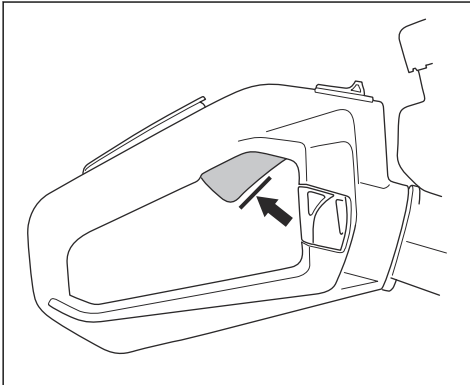
1. Patikrinkite, ar akceleratoriaus gaiduko fiksatorius (A) ir akceleratoriaus gaidukas (B) laisvai junginėjasi ir ar gerai veikia jų spyruoklių sistema.



2. Paspauskite akceleratoriaus gaiduko fiksatorių ir įsitikinkite, kad atleisus jis grįžta į savo pradinę padėtį.



3. Atleiskite akceleratoriaus gaiduko blokuotę ir įsitikinkite, kad akceleratoriaus gaidukas užfiksuotas tuščiosios eigos padėtyje.



4. Užveskite variklį ir iki galo nuspauskite akceleratorių.
5. Atleiskite akceleratoriaus gaiduką ir įsitikinkite, kad peiliai visiškai sustoja.



PERSPĖJIMAS: Jei peiliai juda akceleratoriaus rankenėlei esant tuščiosios eigos padėtyje, pakoreguokite greitį tuščiąja eiga. Žr. *Greičio tuščiąja eiga reguliavimas psl. 225*.

Stabdymo jungiklio patikra

1. Paleiskite variklį.
2. Pastumkite stabdymo jungiklį į stabdymo padėtį ir patikrinkite, ar variklis išjungiamas.



PERSPĖJIMAS: Paleidimo / stabdymo jungiklis automatiškai grįžta į paleidimo padėtį. Norėdami išvengti netyčinio paleidimo, išimkite uždegimo žvakės antgalį iš uždegimo žvakės sumontuodami produktą arba atliekate jo priežiūrą.

Rankos apsaugos patikra

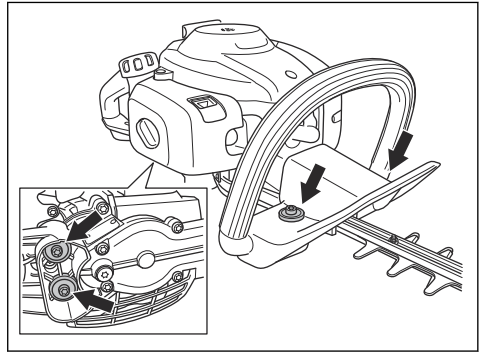
Rankos apsauga saugo nuo peilių sužeidimų.

1. Išjunkite variklį.
2. Įsitikinkite, kad rankos apsauginis elementas yra tinkamai pritvirtintas.
3. Patikrinkite, ar nepažeista rankos apsauga.

Vibracijos slopinimo sistemos patikra

Vibracijos slopinimo sistema susilpnina rankenų vibraciją. Vibracijos slopinimo įrenginiai veikia kaip atskyrimas tarp produkto korpuso ir rankenos įrenginio.

1. Apžiūrėkite, ar duslintuvus nedeformuotas ir nesugadintas.
2. Patikrinkite, ar tinkamai prijungti vibracijos slopinimo elementai.



Duslintuvo patikra



PERSPĖJIMAS: Niekada nenaudokite gaminio be duslintuvo arba su netvarkingu duslintuvu. Esant pažeistam duslintuvui gali padidėti triukšmo lygis ir kyla gaisro pavojus. Nenaudokite gaminio be kibirkščių gesinimo tinkelio arba su sugadintu tinkeliu. Pažeistą kibirkščių gesinimo tinkelį reikia pakeisti.



PERSPĖJIMAS: Naudotuose duslintuvuose ir kibirkščių gesintuvuose gali būti kancerogeninių degimo dalelių. Norėdami išvengti sąlyčio su oda ir neįkvėpti kancerogeninių dalelių, naudokite apsaugines pirštines ir atlikite techninę priežiūrą gerai vėdinamoje aplinkoje. Nenaudokite suslėgto oro kibirkščių gesintuvui valyti. Kibirkščių gesintuvą valykite vieliniu šepetiu braukdami nuo savo kūno.



PERSPĖJIMAS: Dirbant ir baigus darbą, taip pat įrenginiui veikiant tuščiąja eiga, duslintuvai gali labai įkaisti.



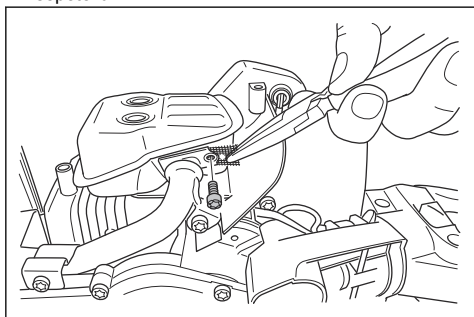
PASTABA: Jei kibirkščių gesinimo tinkelis dažnai užsikemša, tai gali reikšti, kad blogai veikia katalizatorius. Dėl duslintuvo patikrinimo kreipkitės į techninės priežiūros atstovą. Dėl užsikimšusio kibirkščių gesinimo tinkelio įrenginys gali perkaisti ir pažeisti cilindrą bei stūmoklį.



PERSPĖJIMAS: Ant duslintuvo vidinių paviršių yra chemikalų, galinčių sukelti vėžį. Jeigu duslintuvą sugadintas, saugokitės, kad nepaliesumėte šių elementų.

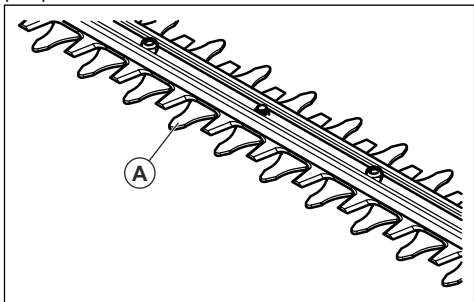
Duslintuvą iki minimumo sumažina triukšmo lygį ir nukreipia nuo naudotojo variklio išmetamąsias dujas. Duslintuvą su katalizatoriumi sumažina kenksmingų medžiagų kiekį išmetamose dujose.

1. Sustabdykite variklį.
2. Apžiūrėkite, ar duslintuvą nesugadintas ir nedeformuotas.
3. Pasirūpinkite, kad duslintuvą būtų tinkamai pritvirtintas prie gaminio.
4. Nuvalykite kibirkščių gesinimo tinklėlių vielinius šepetėlius.



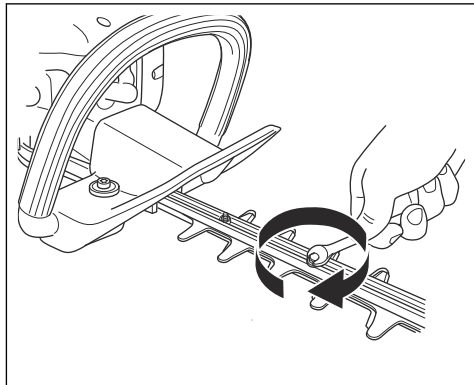
Norėdami atlikti peilių ir peilių apsaugos patikrą

Išorinės peilių briaunos (A) veikia kaip peilių apsauga. Peilio apsauga neleidžia naudotojui netyčia prisiliesti prie peilio.



1. Išjunkite variklį ir įsitinkinkite, kad pjovimo agregatas nebesisuka.
2. Nuimkite uždegimo žvakės antgalį nuo uždegimo žvakės.
3. Užsidėkite apsaugines pirštines.

4. Patikrinkite, ar peilių ašmenys ir peilių apsauga nėra pažeista ar sulenkta. Visada pakeiskite pažeistą ar sulenkta peilį.
5. Įsitinkinkite, kad priveržti pjovimo agregato varžtai. Priveržkite varžtus 7–10 Nm jėga.



Degalų naudojimo sauga



PERSPĖJIMAS: Prieš naudodami gaminį, perskaitykite toliau esančius įspėjimus.

- Neužveskite gaminio, jei ant gaminio yra kuro arba variklio alyvos. Nuvalykite nepageidaujama kurą / alyvą ir palaukite, kol gaminys išdžius.
- Apsipylę drabužius kuru nedelsiant persirenkite.
- Neapsipilkite kūno kuru, nes jis gali sužaloti. Apsipylę kūną kuru, jį nusiplaukite muilu ir vandeniu.
- Neužveskite gaminio, jei iš variklio sunkiasi skysčiai. Reguliariai tikrinkite, ar iš variklio nesisunkia skysčiai.
- Atsargiai elkitės su kuru. Kuras yra degus, o jo garai – sprogūs, todėl neatsargiai elgiantis galima susižaloti arba žūti.
- Neįkvėpkite kuro garų, nes jie gali sužaloti. Pasirūpinkite tinkamu vėdinimu.
- Nerūkykite greta kuro arba variklio.
- Nedėkite šiltų objektų greta kuro arba variklio.
- Nepilkite kuro, kai variklis užvestas.
- Prieš pildami kurą įsitinkinkite, ar variklis ataušęs.
- Prieš pildami kurą lėtai atidarykite kuro bakelio dangtelį ir atsargiai išleiskite slėgį.
- Nepilkite į variklį kuro būdami patalpoje. Dėl oro stygiaus galima susižaloti arba žūti uždusęs arba apsinuodijęs anglies monoksidu.
- Stipriai užsukite kuro bakelio dangtelį. Nepakankamai stipriai užsukus kuro bakelį kyla gaisro pavojus.
- Prieš pradėdami darbą patraukite gaminį mažiausiai 3 m / 10 pėdų nuo vietos, kurioje pylėte kurą.
- Nepripilkite sklidino kuro bakelio. Šildamas kuras plečiasi. Palikite vietos kuro bakelio viršuje.

Priežiūros saugos instrukcijos



PERSPĖJIMAS: Prieš naudodami gaminį, perskaitykite toliau esančius įspėjimus.

- Išjunkite variklį ir įsitinkinkite, kad pjovimo įranga nebesisuka. Prieš atlikdami priežiūros darbus leiskite gaminiiui atvėsti.
- Prieš atlikdami priežiūros darbus atjunkite žvakės antgalį.
- Variklio išmetamosiose dujose yra anglies monoksido – nuodingų, bekvapių ir labai pavojingų dujų, nuo kurių poveikio galima mirti. Nenaudokite įrenginio patalpose ar uždaroje erdvėje.
- Variklio išmetamosios dujos yra karštos, jose gali būti kibirkščių. Nenaudokite įrenginio patalpoje arba greta degių medžiagų.

- Gamintojo napatvirtinti priedai ir gaminio pakeitimai gali rimtai ar net mirtinai sužeisti. Nekeiskite gaminio. Būtinai naudokite originalias atsargines dalis.
- Jeigu priežiūra atliekama netinkamai ir nereguliariai, padidėja pavojus susižeisti ir sugadinti įrenginį.
- Atlikite tik naudojimo instrukcijoje nurodytus priežiūros darbus. Visus kitus techninės priežiūros darbus patikėkite atlikti patvirtintam „McCULLOCH“ techninės priežiūros atstovui.
- Patvirtintas „McCULLOCH“ techninės priežiūros atstovas turi reguliariai atlikti gaminio techninę priežiūrą.
- Pakeiskite pažeistas, sulūžusias arba susidėvėjusias dalis.

Naudojimas

Įvadas



PERSPĖJIMAS: Prieš naudodami gaminį perskaitykite ir supraskite skyrių apie saugą.

gali nesklaidžiai veikti variklis, tai pažeis variklį.

Degalai

Įrenginys turi dvitaktį variklį.



PASTABA: Naudojant netinkamo tipo degalus gali būti sugadintas variklis. Naudokite benzino ir dvitaktčių variklių alyvos mišinį.

Alyva dvitaktčiams varikliams

- Siekdami geriausių rezultatų ir našumo, naudokite McCULLOCH dvitaktčių variklių alyvą.
- Jei negalite gauti McCULLOCH dvitaktčio variklio alyvos, naudokite geros kokybės dvitaktčių variklių alyvą, skirtą oru aušinamiems varikliams. Norėdami išsirinkti tinkamą alyvą, kreipkitės į techninio aptarnavimo atstovą.

Iš anksto sumaišyti degalai

- Naudokite McCULLOCH iš anksto sumaišytus alkilintus degalus, siekdami geriausių rezultatų ir prailginti variklio tarnavimo laiką. Šiuose degaluose palyginti su įprastiniais degalais yra mažiau kenksmingų chemikalų, todėl sumažėja kenksmingų išmetamųjų dujų kiekis. Likučių po degimo kiekis yra mažesnis, naudojant šiuos degalus, todėl variklio komponentai išlieka švaresni.

Degalų maišymas

Benzinas

- Naudokite kokybišką bešvinį benzina, kurio etanolio koncentracija yra iki 10 %.



PASTABA: Nenaudokite benzino, kurio oktaninis skaičius yra mažesnis nei 90 RON/87 AKI. Naudojant žemesnio oktaninio skaičiaus degalus



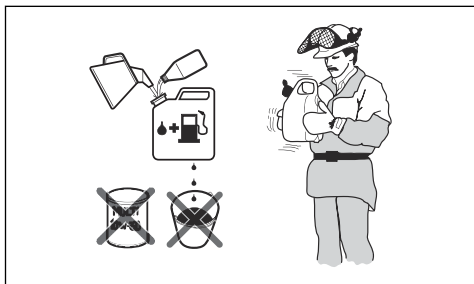
PASTABA: Niekada nenaudokite dvitaktės alyvos, skirtos vandeniu aušinamiems valčių varikliams, dar vadinamos valčių variklių alyva. Nenaudokite alyvos, skirtos keturtaktčiams varikliams.

Degalų ir dvitaktčių variklių alyvos maišymas

Benzinas, litrais	Dvitaktčio variklio alyva, litrais
	2 % (50:1)
5	0,10
10	0,20
15	0,30
20	0,40



PASTABA: Maišant nedidelius degalų kiekius, nedidelė paklaida gali stipriai pakeisti mišinio santykį. Kruopščiai pamatuokite alyvos kiekį, kad gautumėte tinkamą mišinį.



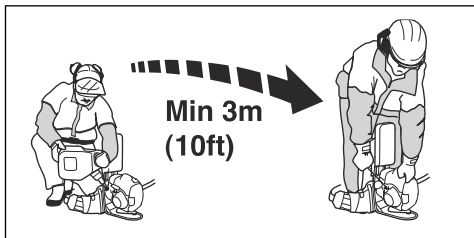
1. Pripildykite pusę kiekio degalų švarioje talpykloje degalams.
2. Supilkite visą alyvos kiekį.
3. Suplakite degalų mišinį.
4. Tada supilkite likusią benzino dalį į talpyklą.
5. Kruopščiai suplakite degalų mišinį.



PASTABA: Nesumaišykite degalų ilgesniam nei 1 mėnesio laikotarpiui.

Kuro bakelio užpildymas

1. Nuvalykite sritį aplink kuro bakelio dangtelį.
2. Papurtykite talpyklą, kad degalai gerai susimaišytų. Naudokite degalų bakelį su apsauga nuo perpildymo.
3. Nuimkite kuro bakelio dangtelį.
4. Užpildykite degalų bakelį.
5. Stipriai užsukite degalų bakelio dangtelį.
6. Prieš paleisdami gaminį visada patraukite jį 3 m (10 pėd.) nuo degalų pildymo vietos ir degalų talpyklos.

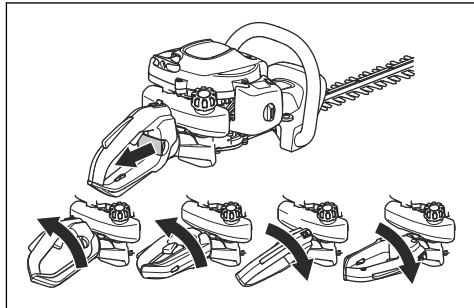


PASTABA: Bakeliuose esantys nešvarumai sąlygoja eksploatacijos sutrikimus. Reguliariai valykite degalų bakelį ir grandinės alyvos bakelį bei kartą per metus arba dažniau keiskite degalų filtrą.

Rankenos reguliavimas (ERGOLITE 6028)

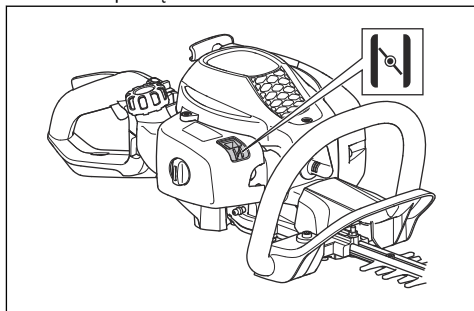
Galinės rankenos aukštį galima nustatyti į 5 skirtingas padėtis.

- Atlaisvinkite rankenos užraktą ir pasukite rankeną.



Norėdami paleisti šaltą variklį

1. Oro sklendės rankenėlę perjunkite į uždarytos oro sklendės padėtį.



2. Paspauskite oro išleidimo pūslelę apie 6 kartus arba kol pūslelė bus užpildyta kuru. Nebūtina visiškai pripildyti oro išleidimo pūslelės.
3. Laikykite gaminio korpusą ant žemės kairiąją ranka. Gaminio nepriminkite koja.
4. Lėtai dešiniąja ranka traukite starterio virvės rankenėlę, kol pajusite nedidelį pasipriešinimą, tada trūktelėkite starterio virvės rankenėlę.



PERSPĖJIMAS: Nevyniokite starterio virvės sau ant rankos.



PASTABA: Netraukite starterio virvės iki galo ir nepaleiskite jos rankenėlės.

5. Traukykite starterio virvės rankeną, kol variklis užsives, tada nspauskite oro sklendės rankenėlę į pradinę padėtį.



PERSPĖJIMAS: Užvedus variklį juda peiliai.

6. Toliau traukykite starterio virvės rankeną, kol variklis užsives.
7. Nuspauskite ir atleiskite akceleratoriaus gaiduką, kad variklis veiktų tuščiaja eiga.
8. Norėdami padidinti variklio apuskas palaipsniui spauskite akceleratoriaus rankenėlę.
9. Įsitinkite, kad variklis veikia sklandžiai.

Norėdami paleisti šiltą variklį

1. Laikykite gaminio korpusą ant žemės kairiąją ranka. Gaminio nepriminkite koją
2. Lėtai dešiniąją ranka traukite starterio virvės rankenėlę, kol pajusite nedidelį pasipriešinimą, tada trūktelėkite starterio virvės rankenėlę. Kartokite, kol variklis užsives.

Pasižymėkite: Jei reikia daugiau informacijos, kaip užvesti gaminį, žr. *Norėdami paleisti šaltą variklį psl. 223*

Gaminio sustabdymas

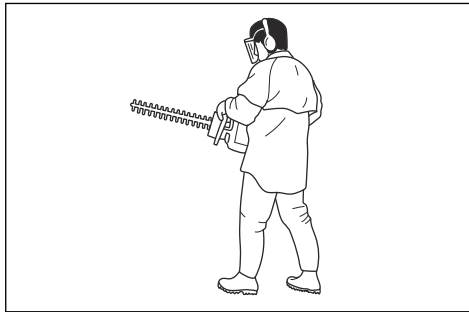
- Pastumkite stabdymo jungiklį į stabdymo padėtį, kad sustabdytumėte variklį.



PASTABA: Stabdymo jungiklis automatiškai grįžta į pradinę padėtį.

Gaminio naudojimas

1. Kirpdami gyvatvorės šonus pradėkite nuo apačios ir kelkite gaminį į viršų. Saugokitės, kad gaminio korpusas nepaliestų gyvatvorės.



PERSPĖJIMAS: Saugokitės, kad pjovimo įrangos priekinė dalis nepaliestų žemės.

2. Reguluokite greitį atsižvelgdami į darbinę apkrovą.
3. Gaminį laikykite netoli kūno, kad stabiliau jį valdytumėte.
4. Būkite atsargūs ir naudokite gaminį neskubėdami.

Techninė priežiūra

Įvadas



PERSPĖJIMAS: Prieš prižiūredami produktą, perskaitykite ir supraskite saugos skyrių.

Techninės priežiūros grafikas

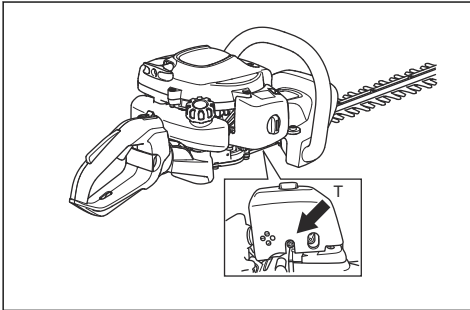
Techninė priežiūra	Prieš naudoji- mą	Po 40 val.	Po 100 val.
Nuvalykite išorinį paviršių.		Kiekvieną kartą baigus darbą.	
Išvalykite duslintuvą, išmetimo vamzdį ir variklį nuo lapų, purvo ir tepalo pertekliaus.		Kiekvieną kartą baigus darbą.	
Įsitinkite, kad varikliui veikiant tuščiaja eiga pjovimo agregatas nejuda.	X		
Patikrinkite stabdymo jungiklį. Žr. <i>Stabdymo jungiklio patikra psl. 220.</i>	X		
Apžiūrėkite, ar nesugadinta ir neištūkusi pjovimo agregato apsauga. Jei pažeista, pakeiskite.	X		

Techninė priežiūra	Prieš naudojimą	Po 40 val.	Po 100 val.
Apžiūrėkite, ar nesugadinta ir neįtrūkusi rankos apsauga. Jei pažeista, pakeiskite.	X		
Patikrinkite akceleratoriaus gaiduko fiksatorių ir akceleratoriaus gaiduką. Žr. <i>Akceleratoriaus gaiduko fiksatoriaus patikra psl. 219.</i>	X		
Patikrinkite variklį, degalų bakelį ir žarneles, ar nėra nuotėkio.	X		
Priveržkite veržles ir varžtus.	X		
Išvalykite arba pakeiskite duslintuvo kibirkščių slopintuvą. Žr. <i>Duslintuvo patikra psl. 220.</i>		X	
Patikrinkite, ar nesugadintas starteris ir starterio virvė.		X	
Patikrinkite, ar peilius laikantys varžtai yra tinkamai priveržti.		X	
Išvalykite oro filtrą. Jei naudojate dulkėtoje aplinkoje, valykite dažniau. Jei pažeista, pakeiskite.		X	
Apžiūrėkite, ar nesugadinti ir neįtrūkę vibracijos slopinimo elementai. Jei pažeista, pakeiskite.		X	
Nuvalykite uždegimo žvakės išorinį paviršių ir plotą aplink ją. Išimkite uždegimo žvakę ir išmatuokite tarpą tarp elektrodų. Sureguliuokite tarpą tarp elektrodų arba pakeiskite uždegimo žvakę. Žr. <i>Uždegimo žvakės tikrinimas psl. 226.</i>		X	
Išvalykite aušinimo sistemą.		X	
Išvalykite karbiuratoriaus išorinį paviršių ir plotą aplink jį.		X	
Patikrinkite, ar neužterštas degalų filtras, neįtrūkusi ir kitaip nesugadinta degalų žarnelė. Jei pažeista, pakeiskite.			X
Nuvalykite duslintuvo kibirkščių gesinimo tinklelį, o jei jis pažeistas, pakeiskite.			X
Išvalykite degalų bako vidinį paviršių.			X
Pakeiskite uždegimo žvakę.			X
Patikrinkite, ar nesusidėvėjusi sankaba, sankabos spyruoklė ir sankabos būgnelis. Jei sankaba pažeista, ją turėtų pakeisti įgaliotas techninės priežiūros specialistas.			X
Pasirūpinkite, kad pavaros korpusas būtų pripildytas tepalo.			X
Patikrinkite visus laidus ir jungtis.			X

Greičio tuščiaja eiga reguliavimas

1. Išvalykite oro filtrą ir pritvirtinkite oro filtro dangtelį.
2. Paleiskite gaminį. Žr. *Norėdami paleisti šaltą variklį psl. 223.*

3. Pirmiausia laisvos eigos varžtą T pasukite pagal laikrodžio rodyklę, kol pjovimo agregatas pradės judėti.



4. Laisvosios eigos varžtą sukite prieš laikrodžio rodyklę, kol pjovimo agregatas sustos.

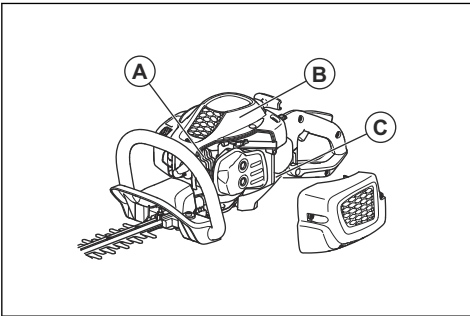


PERSPĖJIMAS: Jeigu pjovimo agregatas nesustoja, kai sureguliuojate greitį tuščiąja eiga, kreipkitės į artimiausią techninės priežiūros atstovą. Nenaudokite įrenginio, kol jis nėra tinkamai sureguliuotas arba sutaisytas.

Pasižymėkite: Greitis tuščiąja eiga yra tinkamas, kai variklis tolygiai veikia visose padėtyse. Rekomenduojamo greičio tuščiąja eiga ieškokite *Techniniai duomenys psl. 229*.

Aušinimo sistemos valymas

Aušinimo sistema užtikrina žemą variklio temperatūrą. Aušinimo sistema sudaro cilindro aušinimo plokšteles (A), cilindro dangtelis (B) ir oro įsiurbimas per karterį (C).



PASTABA: Oro įsiurbimą tarp kuro bakelio ir karterio gali lengvai užkimšti lapai. Visiškai išvalykite oro įsiurbimą.

1. Kartą per savaitę ar dažniau, jei būtina, šepetėliu išvalykite aušinimo sistemą.

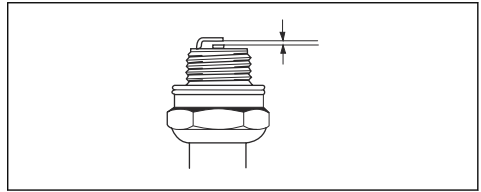
2. Patikrinkite, ar aušinimo sistema neužteršta ir neužsikūšusi.

Uždegimo žvakės tikrinimas



PASTABA: Visada naudokite rekomenduojamo tipo žvakes. Netinkamo tipo uždegimo žvakė gali pažeisti gaminį.

- Patikrinkite uždegimo žvakę, jei variklio galingumas mažas, ji sunku paleisti arba jis netinkamai veikia tuščiąja eiga.
- Norėdami sumažinti pašalinių medžiagų atsiradimą ant uždegimo žvakės elektrodų, laikykitės šių instrukcijų:
 - a) Įsitinkinkite, kad tinkamai sureguliuotas greitis tuščiąja eiga.
 - b) Įsitinkinkite, kad naudojate tinkamą kuro mišinį.
 - c) Patikrinkite, ar oro filtras yra švarus.
- Jeigu uždegimo žvakė purvina, nuvalykite ją ir patikrinkite, ar nustatytas tinkamas tarpas tarp elektrodų, žr. *Techniniai duomenys psl. 229*.

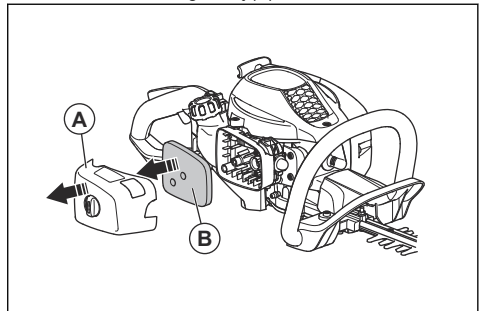


- Esant reikalui pakeiskite uždegimo žvakę.

Oro filtro valymas

Reguliariai išvalykite purvą ir dulkes iš oro filtro. Tai apsaugo karbiuratorių nuo gedimų, paleidimo problemų, variklio galios sumažėjimo, variklio dalių dėvėjimosi ir didesnių nei įprasta kuro sąnaudų.

1. Nuimkite oro filtro gaubtą (A).



2. Iš filtro rėmelio išimkite oro filtrą (B).
3. Išplaukite oro filtrą šiltame muiluotame vandenyje.



PASTABA: Ilgai naudoto oro filtro negalima iki galo išvalyti. Reguliariai

keiskite oro filtrą ir visuomet pakeiskite sugadintą oro filtrą.

- Patikrinkite, ar oro filtras yra sausas.
- Sutepkite oro filtrą alyva. Žr. *Porolono oro filtro tepimas alyva psl. 227*.
- Nuvalykite oro filtro dangčio vidinį paviršių. Valykite suslėgtu oru arba šepetėliu.

Porolono oro filtro tepimas alyva

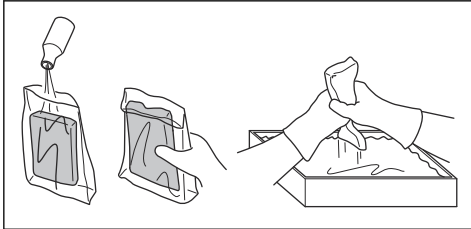


PASTABA: Visada naudokite McCULLOCH specialią oro filtrų alyvą. Nenaudokite kitų rūšių alyvos.



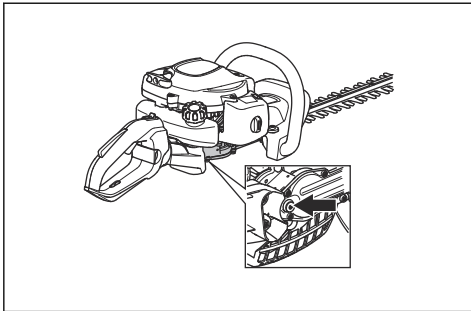
PERSPĖJIMAS: Užsidėkite apsaugines pirštines. Oro filtro alyva gali sudirginti odą.

- Įdėkite porolono oro filtrą į plastikinį maišelį.
- Įpilkite alyvos į plastikinį maišelį.
- Trinkite plastikinį maišelį, kad alyva tolygiai pasiskirstytų ant porolono oro filtro.
- Išspauskite alyvos perteklių iš porolono oro filtro, kol jis dar yra maišelyje.



Pavaros korpuso tepimas

- Naudokite McCULLOCH specialų tepalą. Dėl išsamesnės informacijos apie rekomenduojamus tepalus kreipkitės į techninės priežiūros atstovą.
- Sutepkite per tepimo angą, esančią pavaros korpuse.



PASTABA: Nepripildykite sklidinai pavaros korpuso.

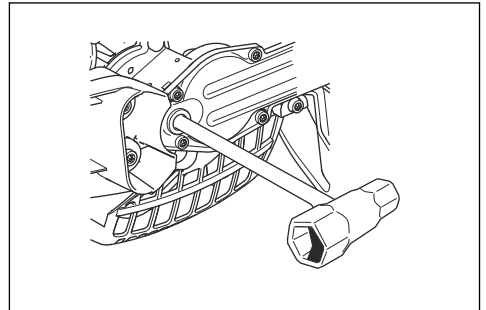
Peilių valymas ir tepimas

- Prieš naudodami gaminį ir jį panaudoję nuvalykite pašalines medžiagas nuo peilių.
- Jeigu ketinate ilgą laiką nenaudoti, sutepkite peilius.

Pasižymėkite: Dėl išsamesnės informacijos apie rekomenduojamas valymo medžiagas ir tepalus kreipkitės į techninės priežiūros atstovą.

Norėdami patikrinti peilius

- Nuimkite tepimo angos dangtelį nuo pavaros korpuso.
- Įsitinkite, kad peiliai laisvai juda. Įstatykite veržliaraktį į pavaros korpusą ir sukite pagal laikrodžio rodyklę ir prieš ją.



- Patikrinkite, ar nepažeistos ir nedeforuotos peilių briaunos.
- Naudodami dildę pašalinkite peilių nelygumus.

Gedimai ir jų šalinimas

Gedimai ir jų šalinimas

Nepavyksta užvesti variklio		
Problema	Galima priežastis	Rekomenduojamas veiksmas
Starterio strektės	Starterio strektės negali laisvai judėti.	Sureguliuokite arba pakeiskite starterio strektes.
		Nuvalykite sritį aplink starterio strektes.
		Kreipkitės į įgaliotą priežiūros specialistą.
Kuro bakelis	Netinkama kuro rūšis.	Išleiskite ir naudokite tinkamą kurą.
Karbiuratorius	Netinkamas greitis tuščiaja eiga.	Sureguliuokite greitį tuščiaja eiga.
Nėra kibirkštis	Uždegimo žvakė nešvari arba drėgna.	Pasirūpinkite, kad uždegimo žvakė būtų sausa ir švari.
	Netinkamas tarpas tarp elektrodų.	Išvalykite žvakę. Patikrinkite, ar tarpas tarp uždegimo žvakės elektrodų yra tinkamas. Įsitinkite, kad uždegimo žvakėje yra slopintuvus. Tinkamą tarpą tarp elektrodų žr. <i>Techniniai duomenys psl. 229.</i>
Uždegimo žvakė	Atsileidusi uždegimo žvakė.	Priveržkite uždegimo žvakę.

Variklis užsiveda, tačiau vėl užgesa.		
Problema	Galima priežastis	Rekomenduojamas veiksmas
Kuro bakelis	Netinkama kuro rūšis.	Išleiskite ir naudokite tinkamą kurą.
Karbiuratorius	Netinkamas greitis tuščiaja eiga.	Sureguliuokite greitį tuščiaja eiga. žr. <i>Greičio tuščiaja eiga reguliavimas psl. 225.</i> Jei reikia, kreipkitės į savo priežiūros specialistą.
Oro filtras	Užsikimšęs oro filtras	Išvalykite oro filtrą.

Peilis		
Problema	Galimos priežastys	Rekomenduojamas veiksmas
Peilis juda lėtai arba išvis nejuda.	Peilis užblokuotas arba pažeistas.	Pašalinkite nepageidaujamas medžiagas nuo peilio. žr. <i>Peilių valymas ir tepimas psl. 227.</i> Pažalinkite peilių nelygumus, žr. <i>Norėdami patikrinti peilius psl. 227.</i> Sugadintą geležtę pakeiskite.
Peilis sunkiai sukasi.	Peilis atšipęs arba pažeistas.	Pagaląskite peilį, žr. <i>Norėdami patikrinti peilius psl. 227.</i> Sugadintą geležtę pakeiskite.

Peilis		
Problema	Galimos priežastys	Rekomenduojamas veiksmas
Peilis įkaista.	Tarp peilių susidaro trintis.	Pažalinkite peilių nelygumus ir sutepkite peilius. Žr. <i>Norėdami patikrinti peilius psl. 227.</i>

Transportavimas, saugojimas ir utilizavimas

Gabenimas ir laikymas

- Prieš pastatydami saugoti, visuomet leiskite gaminiui atvėsti.
- Norėdami laikyti ir transportuoti gaminį ir kurą, įsitikinkite, kad jis neprateka ir neskleidžia išmetamųjų dujų. Žiežirbos arba atvira ugnis, pvz., elektriniai įrenginiai arba džiovintuvai, gali sukelti gaisrą.
- Laikydami ir transportuodami kurą visada naudokite patvirtintus konteinerius.
- Prieš palikdami gaminį saugoti ilgesniam laikui, išpilkite kurą. Kurą išpilkite tinkamoje šalinimo vietoje.
- Gabendami arba laikydami uždėkite gabenimo apsaugą.

- Nuimkite uždegimo žvakės antgalį nuo uždegimo žvakės.
- Gabendami pritvirtinkite įrenginį. Pasirūpinkite, kad jis negalėtų pajudėti.
- Prieš padėdami laikyti ilgesniam laikui, įrenginį išvalykite ir atlikite techninę priežiūrą

Šalinimas

- Laikykitės vietinių reikalavimų ir galiojančių teisės aktų.
- Išpilkite visas chemines medžiagas, pavyzdžiui, variklio alyvą arba degalus techninės priežiūros centre arba tinkamoje šalinimo vietoje.
- Išmeskite gaminį patvirtintoje išmetimo vietoje arba nusiuskite jį McCULLOCH išmesti.

Techniniai duomenys

Techniniai duomenys

Techniniai duomenys	SUPERLITE 4528	ERGOLITE 6028
Variklis		
Cilindro darbinis tūris, cm ³	21,7	21,7
Greitis tuščiaja eiga, aps./min.	2800	2800
Rekomenduojamos maks. apsakos be apkrovos, rpm	9000	9000
Maks. variklio galia pagal ISO 8893, kW/rpm	0,6/7800	0,6/7800
Dusintuvas su katalizatoriumi	Taip	Taip
Uždegimo sistema		
Degimo žvakė	HQT-4 672201	HQT-4 672201
Tarpas tarp elektrodų, mm	0,5	0,5
Degalai		
Degalų bakelio talpa, l	0,3	0,3
Svoris		
Svoris, kg	4,8	5,0

Techniniai duomenys	SUPERLITE 4528	ERGOLITE 6028
Skleidžiamas triukšmas ⁴⁰		
Garso galios lygis, išmatuotas dB (A)	100	100
Garso galios lygis, garantuojamas L _{WA} dB (A)	101	101
Garso lygiai ⁴¹		
Tolygus garso spaudimo naudotojo ausiai lygis, matuojamas pagal EN ISO 10517, dB(A)	93	93
Vibracijos lygiai ⁴²		
Ekvivalentiški rankenų vibracijos lygiai ($a_{hv,eq}$), išmatuoti pagal EN ISO 10517 m/s ² :		
Priekinė / galinė, mm/s ²	3,5/4,4	4,1/5,2
Peliliai		
Tipas	Dvipusis	Dvipusis
Pjovimo ilgis, mm	450	590
Pjovimo greitis, aps./min.	4050	4050

⁴⁰ Triukšmas, skleidžiamas į aplinką, išmatuotas kaip garso galia (L_{WA}) pagal EB direktyvą 2000/14/EB. Pateiktas įrenginio garso stiprumo lygis buvo išmatuotas naudojant didžiausią garsą sukeltantį originalų pjovimo įtaisą. Skirtumas tarp garantuojamos ir išmatuotos garso galios yra tas, kad pagal Direktyvą 2000/14/EB garantuojama garso galia apima ir matavimo rezultatų sklaidą bei nukrypimus tarp skirtingų to pačio modelio įrenginių.

⁴¹ Pateikiamų triukšmo slėgio duomenų būdingoji statistinė sklaida (standartinis nuokrypis) lygi 1 dB (A).

⁴² Pateiktuose vibracijos lygio duomenyse yra 1 m/s² tipiška statistinė sklaida (standartinis nuokrypis).

EB atitikties deklaracija

ES atitikties deklaracija

Mes, **Husqvarna AB**, SE-561 82 Huskvarna, Švedija, tel.
+46-36-146500, atsakingai patvirtiname, kad gaminy:

Aprašymas	Gyvatvorių žirkklės
Gamintojas	McCULLOCH
Tipas / modelis	SUPERLITE 4528, ERGOLITE 6028
Identifikavimas	Serijos numeriai nuo šios datos: 2022 ir vėlesni

visiškai atitinka šias ES direktyvas ir reglamentus:

Reglamentas	Aprašymas
2006/42/EB	„dėl mašinų“
2014/30/ES	„dėl elektromagnetinio suderinamumo“
2000/14/EB	„dėl į aplinką sklaidžiamų triukšmo emisijų, V priedas“
2011/65/ES	„dėl tam tikrų pavojingų medžiagų naudojimo elektros ir elektroninėje įrangoje apribojimo“

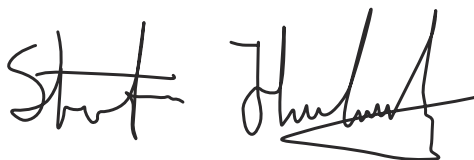
ir kad laikomasi šių standartų ir (arba) techninių
specifikacijų: EN ISO 12100:2010, EN ISO 10517:2019,
EN IEC 63000:2018, EN ISO 14982:2009.

Notifikuotoji įstaiga: RISE SMP Svensk Maskinprovning
AB, Box 7035, SE-750 07 Uppsala, Sweden atliko
savanorišką tipo tyrimą „Husqvarna AB“ vardu.

Sertifikato numeris: SEC/11/2327

Daugiau informacijos apie triukšmo emisiją žr.
Techniniai duomenys psl. 229.

Huskvarna, 2022-02-15



„Husqvarna AB“ rankinių gaminių vadovas, HH paslaugų
laboratorijos vadovas Stefan Holmberg

Atsakingas už techninę dokumentaciją

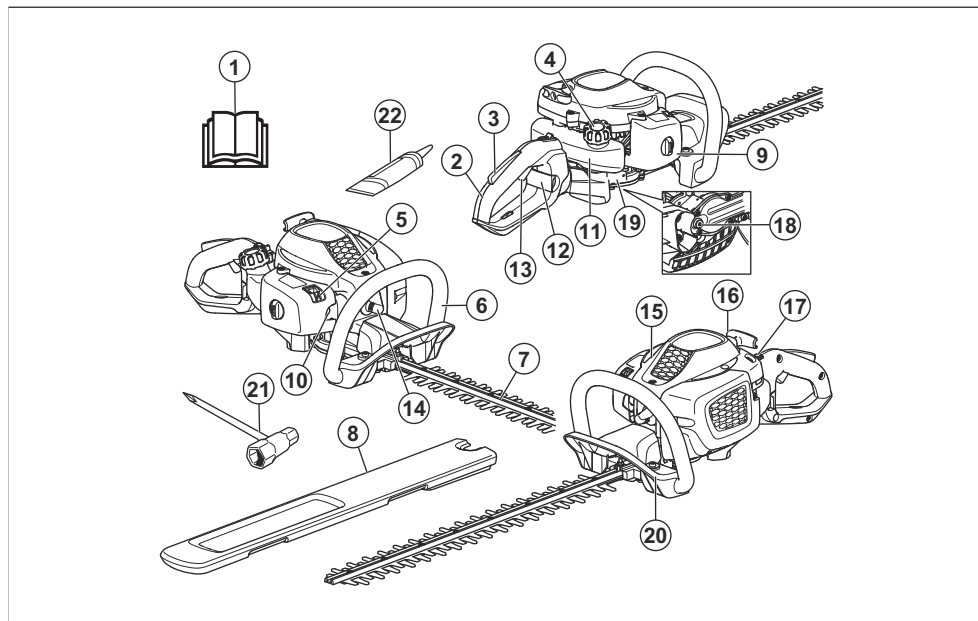


Obsah

Úvod.....	232	Odstraňování problémů.....	244
Bezpečnost.....	233	Přeprava, skladování a likvidace.....	245
Provoz.....	238	Technické údaje.....	245
Údržba.....	240	ES Prohlášení o shodě.....	247

Úvod

Popis výrobku



1. Návod k používání
2. Zadní rukojeť
3. Pojistka páčky plynu
4. Víčko palivové nádrže
5. Ovládání sytiče
6. Přední rukojeť
7. Nůž a kryt nože
8. Převrtný kryt
9. Kryt vzduchového filtru
10. Pomocná palivová pumpička
11. Palivová nádrž
12. Zámek rukojetí (ErgoLite)
13. Páčka plynu
14. Koncovka kabelu zapalovací svíčky a zapalovací svíčka
15. Kryt válce

16. Rukojeť startovací šňůry
17. Vypínač
18. Víčko plnicího hrdla maziva
19. Skříň převodovky
20. Ochranný kryt ruky
21. Kombinovaný klíč
22. Tuba s mazivem

Popis výrobku

Výrobek jsou nůžky na živý plot se spalovacím motorem.

Doporučené použití

Používejte výrobek ke stříhání větvíček. K jiným činnostem výrobek nepoužívejte.

Symbole na výrobku



VAROVÁNÍ! Tento výrobek může být nebezpečný a způsobit obsluze či dalším osobám vážné zranění. Buďte opatrní a výrobek používejte správně.



Před použitím si pozorně prostudujte tento návod k používání a nepoužívejte výrobek, pokud návodu zcela nerozumíte.



Vždy používejte schválenou ochranu sluchu a schválenou ochranu očí.



Používejte schválené ochranné rukavice.



Používejte odolnou obuv s protiskluzovou podrážkou.



Pomocná palivová pumpička.



Sytič.



Zámek pro nastavení rukojeti



Palivo.



Emise hluku do životního prostředí podle směrnice EU 2000/14/ES a podle nařízení o regulaci hluku v australském Novém Jižním Walesu „Protection of the Environment Operations (Noise Control) Regulation 2017“. Údaje o emisích hluku naleznete na štítku stroje a v kapitole Technické údaje.



Výrobek odpovídá příslušným směrnícím ES.

yyyywwxxxx

Typový štítek s výrobním číslem.
Údaj **yyyy** znamená rok výroby, údaj **ww** znamená týden výroby.

Povšimněte si: Další symboly/štítky na produktu se týkají certifikačních požadavků pro určité obchodní trhy.

Emise Euro V



VÝSTRAHA: Manipulace s motorem vede k zneplatnění typového schválení EU tohoto výrobku.

Bezpečnost

Definice týkající se bezpečnosti

Varování, upozornění a poznámky slouží jako upozornění na specifické důležité části návodu.



VÝSTRAHA: Používá se v případě nebezpečí úrazu nebo usmrcení obsluhy nebo okolních osob, pokud nejsou dodrženy pokyny uvedené v této příručce.



VAROVÁNÍ: Používá se v případě nebezpečí poškození výrobku, dalších materiálů či škod na majetku v blízkém okolí, pokud nejsou dodrženy pokyny uvedené v této příručce.

Povšimněte si: Používá se k poskytnutí dalších informací, které jsou nezbytné v dané situaci.

Obecné bezpečnostní pokyny



VÝSTRAHA: Před použitím výrobku si přečtete následující varování.

- Nesprávným nebo neopatrným použitím se výrobek může stát nebezpečným nástrojem, který může způsobit vážná nebo dokonce smrtelná zranění. Je velmi důležité přečíst si tento návod a porozumět jeho obsahu.
- Tento výrobek vytváří během provozu elektromagnetické pole. Toto pole může za určitých okolností narušovat funkci aktivních či pasivních implantovaných lékařských přístrojů. Za účelem snížení rizika možného zranění nebo smrtelného úrazu doporučujeme osobám s implantovanými lékařskými přístroji poradit se před použitím výrobku s lékařem a s výrobcem implantovaného lékařského přístroje.

- Nadměrné vystavení vibracím může u osob se zhoršenou funkcí krevního oběhu vést k poruchám oběhového nebo nervového systému. Pokud pociťte příznaky obtíží způsobených nadměrným vystavením vibracím, vyhledejte lékařskou pomoc. Mezi tyto příznaky patří znečitlivění některých částí těla, ztráta citu v rukou, brnění, píchání, bolest, ztráta síly, změna barvy nebo stavu kůže. Tyto příznaky se obvykle objevují v prstech, na rukou nebo v zápěstí. Riziko se zvyšuje při nízkých teplotách.
- Použitý tlumič výfuku a lapač jisker mohou obsahovat karcinogenní usazeniny. Při manipulaci s tlumičem výfuku nebo lapačem jisker zabraňte kontaktu s těmito látkami. Před manipulací s tlumičem výfuku nebo lapačem jisker si přečtěte si pokyny v části *Kontrola tlumiče výfuku na strani 236*.
- Dostanete-li se do situace, kdy si nebudete jisti, jak dále postupovat, požádejte o radu odborníka. Obráťte se na svého prodejce nebo servis. Výrobek nepoužívejte, necítíte-li se dostatečně kvalifikováni.
- Mějte na paměti, že obsluha je odpovědná za nehody a rizika vzniklá jiným osobám nebo na jejich majetku.
- Nedejte pracovat s výrobkem nikomu, kdo si předem nepřečetl a neporozuměl obsahu návodu k používání.
- Nenechte nikdy děti používat výrobek nebo se zdržovat v jeho blízkosti. Jelikož je výrobek vybaven vypínačem se zpětným pérováním a k jeho nastartování je třeba nízká rychlost a malý tlak na rukojeť startovací šňůry, mohou i děti za určitých okolností mít sílu potřebnou k nastartování stroje. To představuje nebezpečí vážného zranění. Proto z výrobku v době, kdy není plně pod dozorem, vždy odpojte koncovku kabelu zapalovací svíčky.
- Výrobek uchovávejte mimo dosah dětí.
- Nikdy nepoužívejte výrobek, jste-li unaveni, jestliže jste požíli alkohol nebo jestliže užíváte léky, které by mohly ovlivnit váš zrak, úsudek nebo pohybovou koordinaci.
- Nikdy nepoužívejte výrobek, který není zcela v pořádku. Pravidelně provádějte kontroly a údržbu podle servisních pokynů popsaných v této příručce. Některé úkony údržby a opravy mohou provádět pouze vyškolení a kvalifikovaní odborníci. Přečtěte si pokyny v části Údržba.
- Nikdy nepoužívejte výrobek, jehož konstrukce byla jakkoli pozměněna oproti jeho původním specifikacím.
- Nikdy nepoužívejte výrobek za zvláště nepříznivých povětrnostních podmínek, např. za silného mrazu nebo ve velkém horku nebo vlhku.
- Poškozené nože mohou zvýšit nebezpečí vzniku nehod.
- Zajistěte, aby se během práce nevyskytovaly v okruhu 15 m žádné osoby nebo zvířata.
- Sledujte své okolí a přesvědčte se, že nehrozí žádné nebezpečí, že by mohly nějaké osoby nebo zvířata přijít do styku se stříhacím zařízením.
- Zkontrolujte pracovní prostor. Odstraňte všechny předměty, které mohou být odmrštěny.
- Vždy dbejte na to, abyste stáli v bezpečné a stabilní poloze.
- Výrobek se spuštěným motorem nikdy nenechávejte bez dozoru.
- Jestliže motor běží, zajistěte, aby se vaše ruce a nohy nedostaly do blízkosti žacího ústrojí.
- Jestliže se při práci něco zachytí mezi čepele, vypněte stroj, a než vyčistíte čepele, počkejte, až se stroj zcela zastaví. Ze zapalovací svíčky odpojte koncovku kabelu zapalovací svíčky.
- Je-li motor vypnutý, nepřibližujte ruce ani nohy k žacímu ústrojí, dokud se zcela nezastaví.
- Dávejte pozor na větve nebo pahýly, které mohou během stříhání vylézat.
- Používáte-li ochranu sluchu, vždy je nutné dávat pozor na výstražné signály nebo volání. Sejměte vždy ochranu sluchu ihned po zastavení motoru.
- Nikdy nepracujte ze žebříku, stoličky nebo v jiné zvýšené poloze, která není dokonale zajištěna.
- K přidržování výrobku vždy používejte obě ruce. Výrobek držte před svým tělem.
- Pokud dojde k zasažení cizího objektu nebo se objeví vibrace, okamžitě produkt zastavte. Ze zapalovací svíčky odpojte koncovku kabelu zapalovací svíčky. Zkontrolujte, zda není produkt poškozený. Opravte veškerá poškození.
- Aby se zabránilo nebezpečí úrazu elektrickým proudem, kontrolujte, zda nejsou koncovka kabelu zapalovací svíčky a kabel zapalovací poškozené.
- Zkontrolujte, zda jsou všechny matice a šrouby dotažené.
- Zkontrolujte, zda je převodovka řádně promazána. Další informace jsou uvedeny v části *Promazání skříňové převodovky na strani 243*.
- Převodovka se během provozu výrobku zahřívá. Nedotýkejte se převodovky, abyste se nespálili.
- Všechny kryty a ochranné kryty musí být před zahájením práce upevněny.
- Jestliže se nože zaseknou, dají se uvolnit zasunutím kombinovaného klíče do převodovky. Zasuňte kombinovaný klíč do ozubení a táčte jej jím dopředu a dozadu. Další informace jsou uvedeny v části *Promazání skříňové převodovky na strani 243*.
- Jestliže výrobek nepoužíváte, na žací ústrojí vždy nasadte přepravní kryt.

Bezpečnostní pokyny pro provoz



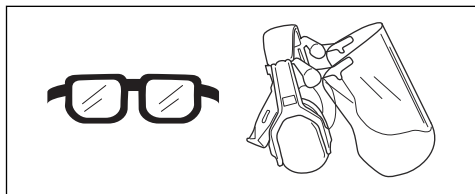
VÝSTRAHA: Před použitím výrobku si přečtěte následující varování.

Osobní ochranné prostředky

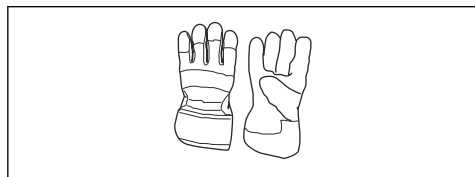


VÝSTRAHA: Před použitím výrobku si přečtěte následující varování.

- Při použití výrobku je nutné vždy používat schválené osobní ochranné prostředky. Osobní ochranné prostředky nemohou zcela eliminovat nebezpečí úrazu, ale v případě nehody pomáhají snížit míru poranění. Požádejte prodejce, aby vám pomohl vybrat správné vybavení.
- Použijte schválenou ochranu sluchu s dostatečným tlumícím účinkem. Dlouhodobé vystavování působení hluku může vést k trvalému poškození sluchu.
- Vždy používejte schválenou ochranu očí. Použijete-li štít, je nutno použít i schválené ochranné brýle. Schválené ochranné brýle musí být v souladu s normou ANSI Z87.1 v USA nebo EN 166 v zemích EU.



- Při určitých činnostech použijte rukavice, například při nasazování, prohlídce nebo čištění stříhacího zařízení.

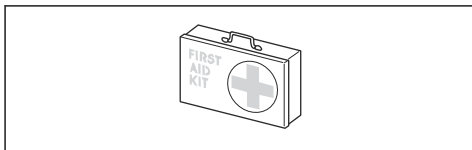


- Používejte pevnou, protiskluzovou obuv.



- Noste oblečení vyrobené z pevné tkaniny. Vždy používejte silné, dlouhé kalhoty a dlouhé rukávy. Nepoužívejte volné oblečení, které se může zachytit o keře nebo větve. Nepoužívejte šperky, krátké kalhoty nebo sandály a nepracujte bosí. Stáhněte si vlasy bezpečně nahoru nad úroveň ramen.

- Mějte při ruce lékárničku.



Bezpečnostní zařízení na produktu

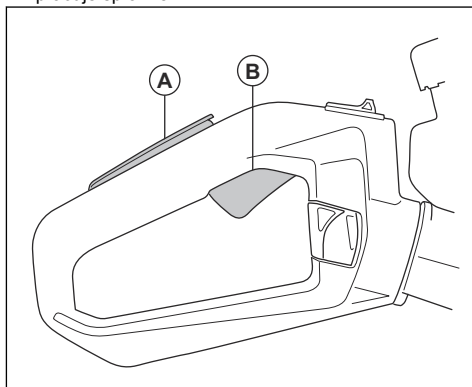


VÝSTRAHA: Před použitím výrobku si přečtěte následující varování.

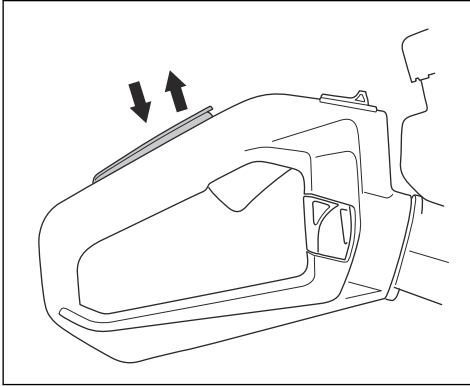
- Nepoužívejte výrobek, jehož bezpečnostní zařízení jsou vadná!
- Pravidelně kontrolujte bezpečnostní zařízení. Pokud je zařízení vadné, obraťte se na servis McCULLOCH.

Kontrola pojistky páčky plynu

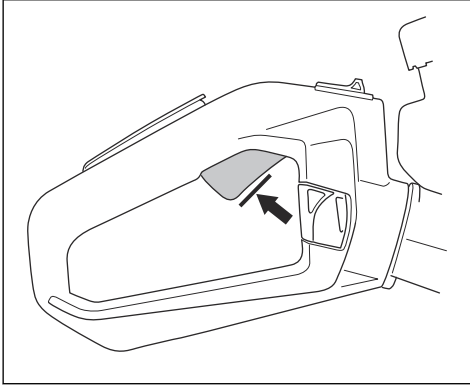
1. Zkontrolujte, zda se pojistka páčky plynu (A) a páčka plynu (B) volně pohybují a zda vratná pružina pracuje správně.



2. Stiskněte pojistku páčky plynu a zkontrolujte, zda se po uvolnění vrátí do své výchozí polohy.



3. Uvolněte pojistku páčky plynu a zkontrolujte, že je páčka plynu uzamčená v poloze volnoběžné otáčky.



4. Nastartujte motor a dejte plný plyn.
5. Uvolněte páčku plynu a zkontrolujte, zda se nůž zcela zastaví.



VÝSTRAHA: Pokud se nože pohybují, když je páčka plynu v poloze volnoběžných otáček, upravte nastavení volnoběžných otáček. Další informace naleznete v části *Úprava volnoběžných otáček na strani 242*.

Kontrola vypínače

1. Nastartujte motor.
2. Stiskněte vypínač do polohy Stop a zkontrolujte, zda se vypne motor.



VÝSTRAHA: Vypínač se automaticky vrátí do startovací polohy. Abyste se při montáži nebo údržbě výrobku vyhnuli náhodnému nastartování, odpojte koncovku

kabelu zapalovací svíčky ze zapalovací svíčky.

Kontrola ochranného krytu ruky

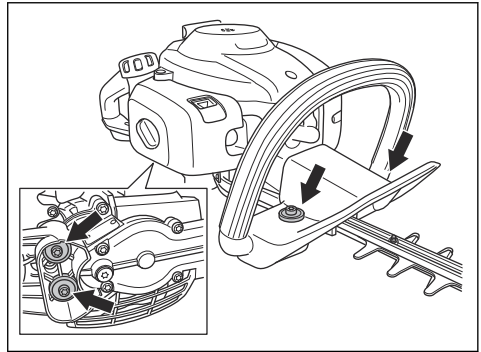
Ochranný kryt ruky brání zraněním způsobeným noži.

1. Vypněte motor.
2. Zkontrolujte, zda je ochranný kryt ruky řádně připevněn.
3. Zkontrolujte, zda není ochranný kryt ruky poškozený.

Kontrola systému tlumení vibrací

Systém tlumení vibrací snižuje vibrace v rukojetích. Antivibrační prvky fungují jako tlumič mezi tělem výrobku a rukojetí.

1. Provedte vizuální kontrolu ohledně deformací a poškození.
2. Zkontrolujte, zda jsou antivibrační prvky správně připevněny.



Kontrola tlumiče výfuku



VÝSTRAHA: Nepoužívejte výrobek bez tlumiče výfuku nebo s vadným tlumičem výfuku. Vadný tlumič výfuku může zvýšit hladinu hluku a nebezpečí požáru. Nepoužívejte výrobek bez lapače jisker nebo s poškozeným sítkem lapače jisker. Pokud je sítko lapače jisker poškozené, je nutné jej vyměnit.



VÝSTRAHA: Použitý tlumič výfuku a lapač jisker mohou obsahovat karcinogenní usazeniny. Používejte ochranné rukavice a provádějte údržbu v dobře větraném prostředí, abyste zabránili kontaktu s pokožkou a vdechnutí karcinogenních částic. K čištění lapače jisker nepoužívejte stlačený vzduch. Při čištění lapače jisker používejte drátěný kartáč a čistěte jej směrem od těla.



VÝSTRAHA: Tlumiče výfuku se za provozu velmi zahřívají, a to i při volnoběžných otáčkách.



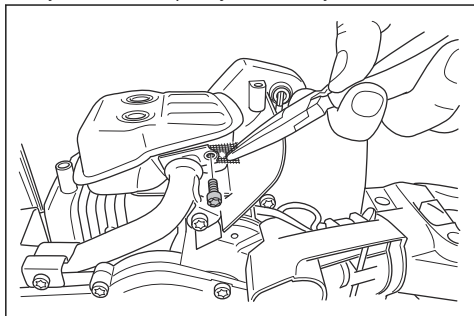
VAROVÁNÍ: Často ucpané sítko lapače jisker indikuje sníženou funkčnost katalyzátoru. Požádejte servis o kontrolu tlumiče výfuku. Znečištěné sítko lapače jisker způsobuje přehřívání, které může vést k poškození válce a pístu.



VÝSTRAHA: Vnitřní povrchy tlumiče výfuku obsahují chemikálie, které způsobují rakovinu. Nedotýkejte se těchto prvků, pokud je tlumič poškozený.

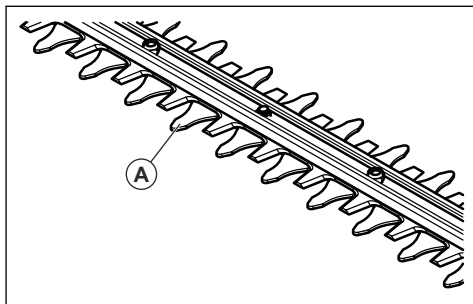
Tlumič výfuku je určen k omezení úrovně hluku na minimum a k usměrnění výfukových plynů směrem od obsluhy. Tlumič výfuku s katalytickým konvertorem snižuje množství škodlivých výfukových plynů.

1. Vypněte motor.
2. Proveďte vizuální kontrolu ohledně poškození a deformací.
3. Pravidelně kontrolujte, zda je tlumič výfuku správně připevněn k výrobku.
4. Vyčistěte sítko lapače jisker drátěným kartáčkem.

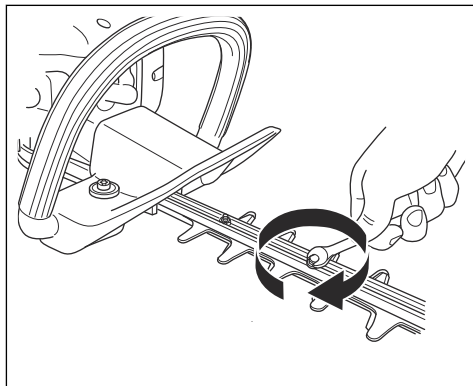


Kontrola nože a krytu nože

Vnější části nožů (A) mají funkci krytů nože. Kryt nože také chrání obsluhu před náhodným kontaktem s nožem.



1. Vypněte motor a přesvědčte se, že se žací ústrojí zastavilo.
2. Ze zapalovací svíčky vyjměte koncovku kabelu zapalovací svíčky.
3. Používejte ochranné rukavice.
4. Zkontrolujte, zda nejsou nůž ani kryt nože poškozené nebo ohnuté. Vždy vyměňte poškozený nebo ohnutý nůž.
5. Zkontrolujte, zda jsou šrouby na žacím ústrojí připevněné. Utáhněte šrouby utahovacím momentem 7–10 Nm.



Bezpečnost při manipulaci s palivem



VÝSTRAHA: Před použitím výrobku si přečtěte následující varování.

- Pokud je na výrobku palivo nebo olej, nespouštějte ho. Nechtěné palivo/olej z výrobku odstraňte a nechte výrobek uschnout.
- Pokud si palivem polijete oblečení, okamžitě se převlékněte.
- Zabraňte styku paliva s tělem, může způsobit zranění. Pokud se polijete palivem, omyjte zasažené místo vodou a mýdlem.
- Nepouštějte motor, pokud z něj něco uniká. Pravidelně kontrolujte, jestli z motoru nic neuniká.

- Při manipulaci s palivem buďte opatrní. Palivo je hořlavé a výpary jsou výbušné a můžou způsobit zranění nebo smrt.
- Nevdechujte palivové výpary, můžou způsobit zranění. Zajistěte dostatečný průtok vzduchu.
- V blízkosti paliva ani motoru nekuřte.
- Do blízkosti paliva ani motoru neumist'ujte horké předměty.
- Když je spuštěný motor, nedoplňujte palivo.
- Než začnete doplňovat palivo, přesvědčte se, že je motor studený.
- Než doplníte palivo, pomalu otevřete uzávěr palivové nádrže a opatrně uvolněte tlak.
- Palivo do motoru nedoplňujte ve vnitřních prostorech. Nedostatečné proudění vzduchu může způsobit zranění nebo smrt udušením nebo otravou kyslíčnám uhelnatým.
- Pevně dotáhněte víčko palivové nádrže. Není-li víčko palivové nádrže dotažené, hrozí nebezpečí požáru.
- Než výrobek spustíte, přejděte s ním minimálně 3 m (10 stop) od místa, kde jste doplňovali palivo.
- Nenaplňujte palivovou nádrž na maximum. Teplem dochází k rozpínání paliva. V horní části palivové nádrže udržujte volný prostor.
- Vypněte motor a přesvědčte se, že se řezací zařízení zastavilo. Před prováděním údržby nechte výrobek vychladnout.
- Před prováděním údržby odpojte koncovku kabelu zapalovací svíčky.
- Výfukové plyny obsahují oxid uhelnatý, jedovatý a velmi nebezpečný plyn bez zápachu, který může způsobit smrt. Nenechávejte výrobek spuštěný ve vnitřních nebo uzavřených prostorech.
- Výfukové plyny z motoru jsou horké a mohou obsahovat jiskry. Nepoužívejte výrobek uvnitř budov ani v blízkosti hořlavých materiálů.
- Příslušenství a změny výrobku, které neschválí výrobce, mohou způsobit vážné zranění nebo úmrtí. Neprovádějte změny na výrobku. Vždy používejte originální příslušenství.
- Při nesprávném nebo nepravidelném provádění údržby se zvyšuje nebezpečí poranění a poškození výrobku.
- Provádějte pouze údržbu uvedenou v tomto návodu k používání. Veškerý další servis musí provést schválený servisní pracovník McCULLOCH.
- Servis výrobku by měl provádět schválený servisní pracovník McCULLOCH v pravidelných intervalech.
- Poškozené, opotřeбенé či prasklé součásti vyměňte.

Bezpečnostní pokyny pro údržbu



VÝSTRAHA: Před použitím výrobku si přečt'ete následující varování.

Provoz

Úvod



VÝSTRAHA: Než začnete s výrobkem pracovat, přečt'ete si důkladně kapitolu o bezpečnosti.

Palivo

Tento výrobek je vybaven dvoudobým motorem.



VAROVÁNÍ: Používání nesprávného typu paliva může vést k poškození motoru. Používejte směs benzínu a oleje pro dvoudobé motory.

Předmíchané palivo

- Používejte předmíchané alkylátové palivo McCULLOCH. Zajistí nejlepší výkon výrobku a prodlouží životnost motoru. Toto palivo obsahuje méně škodlivých chemikálií v porovnání s běžným palivem a snižuje množství škodlivých výfukových plynů. Množství zbytků po spálení je s tímto palivem menší a díky tomu jsou součásti motoru čistější.

Míchání paliva

Benzín

- Používejte kvalitní bezolovnatý benzín s obsahem etanolu maximálně 10 %.



VAROVÁNÍ: Nepoužívejte benzín s oktanovým číslem nižším než 90 RON/87 AKI. Při použití benzínu s nízkým oktanovým číslem může docházet ke klepání motoru, které způsobuje jeho poškození.

Olej pro dvoudobé motory

- Nejlepších výsledků dosáhnete s olejem pro dvoudobé motory McCULLOCH.
- Není-li k dispozici olej pro dvoudobé motory McCULLOCH, použijte kvalitní olej pro dvoudobé motory určený pro vzduchem chlazené motory. Správný olej vám doporučí servisní prodejce.



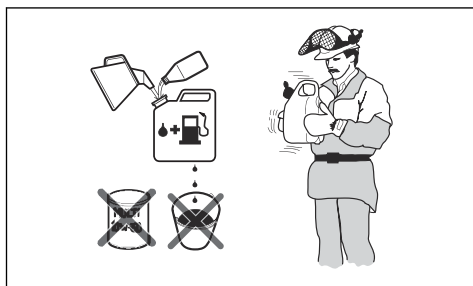
VAROVÁNÍ: Nepoužívejte olej pro dvoudobé motory chlazené vodou (olej pro lodní motory). Nepoužívejte olej pro čtyřdobé motory.

Míchání paliva a oleje pro dvoudobé motory

Benzín, l	Olej pro dvoutaktní motory, l
	2 % (50:1)
5	0,10
10	0,20
15	0,30
20	0,40



VAROVÁNÍ: Při míchání pouze malého množství paliva hrozí riziko, že malá chyba v poměru významně ovlivní výslednou směs. Pečlivě odměřte množství oleje, který bude přimíchán do paliva, aby bylo zajištěno, že docílíte správného poměru.



1. Doplňte polovinu množství benzínu do čisté nádoby na palivo.
2. Přidejte celé množství oleje.
3. Směs paliva řádně protřepejte.
4. Přidejte do nádoby zbývající množství benzínu.
5. Směs paliva dobře protřepejte.

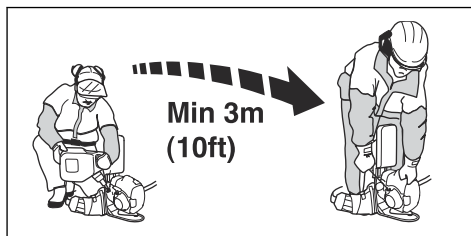


VAROVÁNÍ: Neskladujte směs paliva déle než 1 měsíc.

Doplňování paliva do palivové nádrže

1. Očistěte plochu kolem víčka palivové nádrže.
2. Protřepejte nádobu, aby se palivo zcela promíchalo. Používejte nádoby na palivo s plnicím hrdlem s ochrannou proti přeplnění.
3. Odšroubujte víčko palivové nádrže.

4. Naplňte palivovou nádrž.
5. Pevně dotáhněte víčko palivové nádrže.
6. Před nastartováním přemístěte výrobek alespoň 3 m (10 stop) od místa, kde jste doplňovali palivo, a zdroje paliva.

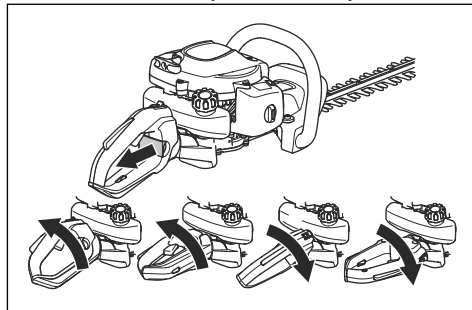


VAROVÁNÍ: Znečištění v nádržkách způsobuje poruchy. Pravidelně čistěte palivovou nádrž a nádrž oleje na mazání řetězu a měňte palivový filtr jednou ročně nebo častěji.

Nastavení rukojeti (ERGOLITE 6028)

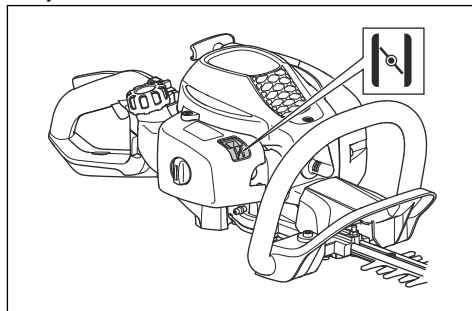
Zadní rukojeť lze nastavit do 5 poloh.

- Uvolněte zámek rukojeti a otočte rukojeť.



Spouštění výrobku se studeným motorem

1. Vytažením ovládacího sýtiče jej přesuňte do polohy sycení.



2. Stiskněte přibližně 6x pomocnou palivovou pumpičku, dokud se nezačne plnit palivem. Není nezbytné zcela naplnit pomocnou palivovou pumpičku.
3. Přitiskněte celý výrobek k zemi levou rukou. Na výrobek nešlepejte.
4. Pomalu vytáhněte rukojeť startovací šňůry pravou rukou, než ucítíte odpor, a poté rychle silou zatáhněte za rukojeť startovací šňůry.



VÝSTRAHA: Nikdy si neomotávejte startovací šňůru kolem ruky.



VAROVÁNÍ: Nevytahujte celou délku startovací šňůry a nepouštějte rukojeť.

5. Tahejte za rukojeť lana startéru, až se motor spustí. Poté zatlačte ovládání sytiče do původní polohy.



VÝSTRAHA: Jakmile nastartuje motor, nože se roztočí.

6. Tahejte za rukojeť startovací šňůry, až se motor spustí.
7. Stlačením a uvolněním páčky plynu nastavíte motor na volnoběžné otáčky.
8. Postupným stisknutím páčky plynu zvýšíte otáčky motoru.
9. Zkontrolujte, zda motor běží plynule.

Spouštění výrobku s teplým motorem

1. Přitiskněte celý výrobek k zemi levou rukou. Na výrobek nešlepejte.
2. Pomalu vytáhněte rukojeť startovací šňůry pravou rukou, než ucítíte odpor, a poté rychle silou zatáhněte za rukojeť startovací šňůry. Pokračujte, dokud motor nenastartuje.

Povšimněte si: Další informace týkající se spuštění výrobku naleznete v části *Spouštění výrobku se studeným motorem na strani 239.*

Zastavení výrobku

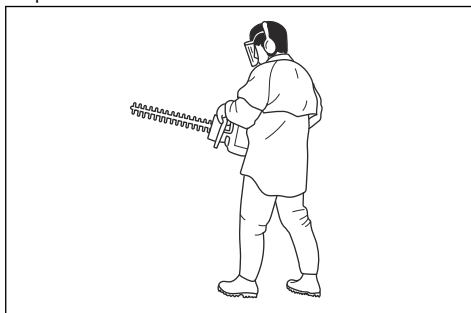
- Posunutím vypínače do vypínací polohy vypnete motor.



VAROVÁNÍ: Vypínač se automaticky vrátí do provozní polohy.

Obsluha výrobku

1. Při střihání boků začněte v blízkosti země a pohybujte výrobkem nahoru podél živého plotu. Zkontrolujte, zda se tělo výrobku nedotýká živého plotu.



VÝSTRAHA: Zkontrolujte, zda se přední část střihacího zařízení nedotýká země.

2. Nastavte otáčky podle pracovní zátěže.
3. Drže výrobek v blízkosti těla a udržujte stabilní pracovní polohu.
4. Buďte opatrní a výrobek používejte pomalu.

Údržba

Úvod



VÝSTRAHA: Než začnete na výrobku provádět údržbu, přečtěte si pozorně kapitolu o bezpečnosti.

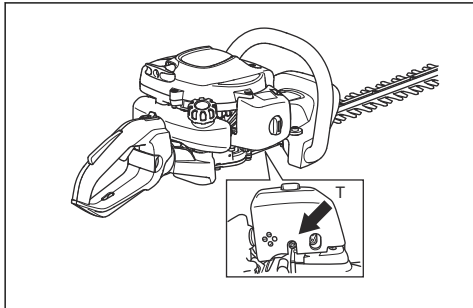
Plán údržby

Údržba	Před provozem	Po 40 h	Po 100 h
Vyčistěte vnější povrch.	Po každém použití.		

Údržba	Před provozem	Po 40 h	Po 100 h
Odstřeňte z tlumiče výfuku, výfukového potrubí a motoru listí, nečistoty a přebytečné mazivo.	Po každém použití.		
Zkontrolujte, zda se žací ústrojí nepohybuje při chodu motoru na volnoběžné otáčky.	X		
Proveďte kontrolu vypínače. Další informace jsou uvedeny v části <i>Kontrola vypínače na strani 236</i> .	X		
Zkontrolujte kryt žacího ústrojí, jestli není poškozený nebo naprasklý. V případě poškození proveďte výměnu.	X		
Zkontrolujte, zda není ochranný kryt ruky poškozený nebo naprasklý. V případě poškození proveďte výměnu.	X		
Proveďte kontrolu pojistky páčky plynu a páčky plynu. Další informace jsou uvedeny v části <i>Kontrola pojistky páčky plynu na strani 235</i> .	X		
Zkontrolujte těsnost motoru, palivové nádrže a hadice přívodu paliva.	X		
Dotáhněte matice a šrouby.	X		
Vyčistěte nebo vyměňte sítko lapače jisker na tlumiči výfuku. Další informace jsou uvedeny v části <i>Kontrola tlumiče výfuku na strani 236</i> .		X	
Zkontrolujte startér a startovací šňůru ohledně poškození.		X	
Zkontrolujte, zda šrouby spojující nože jsou správným způsobem dotaženy.		X	
Vyčistěte vzduchový filtr. Pokud výrobek používáte v prašném prostředí, čistěte ho častěji. V případě poškození proveďte výměnu.		X	
Zkontrolujte, zda nejsou antivibrační prvky poškozené nebo naprasklé. V případě poškození proveďte výměnu.		X	
Vyčistěte vnější povrch zapalovací svíčky a jejího okolí. Vyjměte zapalovací svíčku a změřte vzdálenost elektrod. Upravte vzdálenost elektrod nebo vyměňte svíčku. Další informace jsou uvedeny v části <i>Kontrola zapalovací svíčky na strani 242</i> .		X	
Vyčistěte chladicí systém.		X	
Vyčistěte vnější povrch karburátoru a jeho okolí.		X	
Zkontrolujte, zda není palivový filtr znečištěný nebo hadice přívodu paliva popraskaná nebo zda nejsou přítomny jiné závady. V případě poškození proveďte výměnu.			X
Vyčistěte sítko lapače jisker na tlumiči výfuku. Pokud je poškozené, je nutné jej vyměnit.			X
Vyčistěte vnitřní povrch palivové nádrže.			X
Vyměňte zapalovací svíčku.			X
Zkontrolujte opotřebení spojky, pružiny spojky a bubnu spojky. V případě poškození proveďte výměnu u autorizovaného servisu.			X
Zkontrolujte, zda je skříň převodovky naplněná mazivem.			X
Proveďte kontrolu všech elektrických kabelů a konektorů.			X

Úprava volnoběžných otáček

1. Vyčistěte vzduchový filtr a kryt vzduchového filtru.
2. Nastartujte výrobek. Další informace naleznete v části *Spuštění výrobku se studeným motorem na strani 239*.
3. Otáčejte stavěcím šroubem T volnoběžných otáček ve směru hodinových ručiček, dokud se žací ústrojí nezačne pohybovat.



4. Otáčejte stavěcím šroubem volnoběžných otáček proti směru hodinových ručiček, dokud se žací ústrojí nezastaví.

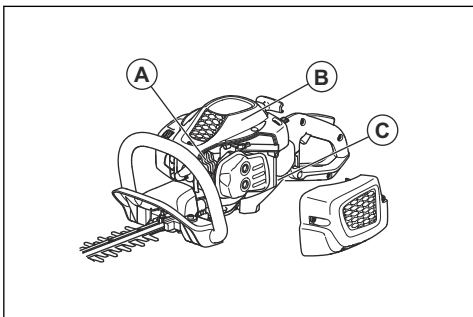


VÝSTRAHA: Pokud se žací ústrojí nezastaví po nastavení volnoběžných otáček, obraťte se na nejbližší servis. Nepoužívejte výrobek, dokud není správně seřízen nebo opraven.

Povšimněte si: Rychlost volnoběhu je správná tehdy, když má motor klidný chod v každé poloze. Doporučené volnoběžné otáčky naleznete v části *Technické údaje na strani 245*.

Čištění chladicího systému

Chladicí systém brání nadměrnému zvýšení teploty motoru. Chladicí systém zahrnuje chladicí žebra na válci (A), kryt válce (B) a přívod vzduchu skrz klikovou skříň (C).



VAROVÁNÍ: Přívod vzduchu mezi palivovou nádrží a klikovou skříní se lehce ucpe listím. Zcela vyčistěte přívod vzduchu.

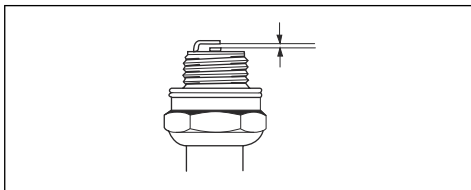
1. Čistěte chladicí systém kartáčem jednou týdně nebo v případě potřeby častěji.
2. Zkontrolujte, zda není chladicí systém znečištěný nebo ucpaný.

Kontrola zapalovací svíčky



VAROVÁNÍ: Vždy používejte doporučený typ zapalovacích svíček. Nesprávný typ zapalovací svíčky může způsobit poškození výrobku.

- Zkontrolujte zapalovací svíčku, pokud má motor malý výkon, špatně startuje nebo nefunguje správně ve volnoběžných otáčkách.
- Aby se snížilo nebezpečí přítomnosti nechtěných materiálů na elektrodách zapalovací svíčky, dodržujte tyto pokyny:
 - a) Zkontrolujte, zda jsou správně nastaveny volnoběžné otáčky.
 - b) Zkontrolujte správnost palivové směsi.
 - c) Zkontrolujte, zda je vzduchový filtr čistý.
- Jestliže je zapalovací svíčka znečištěná, vyčistěte ji a zkontrolujte, zda je vzdálenost elektrod zapalovací svíčky správná, viz část *Technické údaje na strani 245*.

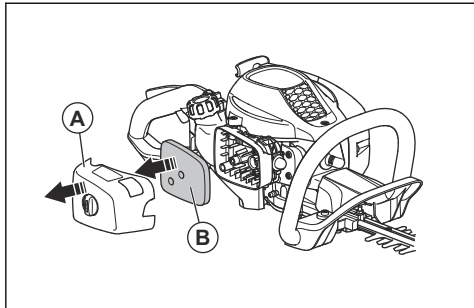


- V případě potřeby zapalovací svíčku vyměňte.

Čištění vzduchového filtru

Pravidelně odstraňujte nečistoty a prach ze vzduchového filtru. To slouží jako prevence poruch karburátoru, problémů se startováním, ztráty výkonu motoru, opotřebení dílů motoru a větší než obvyklé spotřeby paliva.

1. Demontujte kryt vzduchového filtru (A).



2. Vyjměte vzduchový filtr (B) z rámu filtru.
3. Vyčistěte filtr teplou mýdlovou vodou.



VAROVÁNÍ: Vzduchový filtr, který byl používán po delší dobu, již nelze zcela vyčistit. Vzduchový filtr pravidelně vyměňujte a vždy vyměňte vadný vzduchový filtr.

4. Zkontrolujte, zda je vzduchový filtr suchý.
5. Naneste olej na vzduchový filtr. Další informace naleznete v části *Nanesení oleje na pěnový vzduchový filtr na strani 243*.
6. Vyčistěte vnitřní povrch krytu vzduchového filtru. Použijte stlačený vzduch nebo kartáč.

Nanesení oleje na pěnový vzduchový filtr



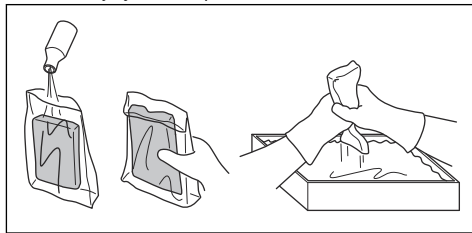
VAROVÁNÍ: Vždy používejte speciální olej McCULLOCH na vzduchové filtry. Jiné druhy oleje nepoužívejte.



VÝSTRAHA: Používejte ochranné rukavice. Olej na vzduchový filtr může způsobit podráždění pokožky.

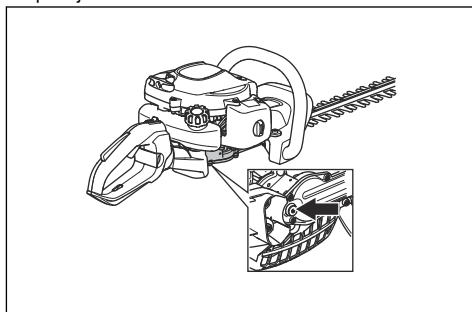
1. Vložte pěnový vzduchový filtr do plastového sáčku.
2. Nalijte olej do plastového sáčku.
3. Plastový sáček promněte, aby se olej rozprostřel po celém pěnovém vzduchovém filtru.

4. Vytlačte přebytečný olej z pěnového vzduchového filtru, když je stále v plastovém sáčku.



Promazání skříně převodovky

- Použijte speciální mazivo McCULLOCH. Další informace o doporučeném mazivu získáte u svého servisního prodejce.
- Víčkem plnicího hrdla maziva na skříní převodovky přidejte mazivo.



VAROVÁNÍ: Skříní převodovky neplňte naplno.

Čištění a mazání nožů

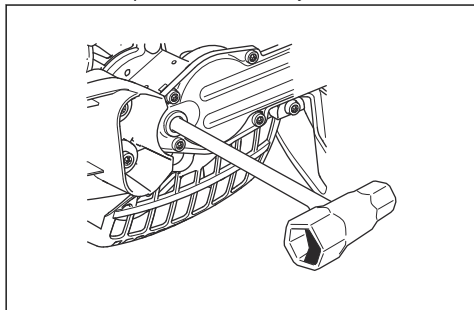
1. Před a po použití výrobku odstraňte z nožů nežádoucí materiály.
2. Před dlouhodobým uložením namažte nože.

Povšimněte si: Další informace o doporučených čisticích prostředcích a mazivu získáte u svého servisního prodejce.

Prohlídka nožů

1. Odšroubujte víčko plnicího hrdla maziva na skříní převodovky.

2. Zkontrolujte, zda se nože volně pohybují. Vložte kombinovaný klíč do skříně převodovky a otočte jím ve směru a proti směru hodinových ručiček.



3. Zkontrolujte, zda nejsou ostří nožů poškozená nebo deformovaná.
4. Pomocí pilníku odstraňte z nožů otřepry.

Odstraňování problémů

Odstraňování problémů

Motor nestartuje.		
Problém	Možná příčina	Doporučený krok
Zatuhlý startér	Západky startéru se volně nepohybují.	Upravte nebo vyměňte západky startéru.
		Očistěte prostor okolo západek startéru.
		Obráťte se na schválený servis.
Palivová nádrž	Nesprávný typ paliva.	Vypusťte a použijte správné palivo.
Karburátor	Nesprávné volnoběžné otáčky.	Seřídte volnoběžné otáčky.
Žádná jiskra	Zapalovací svíčka je znečištěná nebo mokrá.	Ujistěte se, že je zapalovací svíčka suchá a čistá.
	Nesprávná vzdálenost elektrod.	Vyčistěte zapalovací svíčku. Zkontrolujte, zda je vzdálenost elektrod zapalovací svíčky správná. Zkontrolujte, zda je zapalovací svíčka vybavena krytem. Správnou vzdálenost elektrod naleznete v části <i>Technické údaje na strani 245</i> .
Zapalovací svíčka	Zapalovací svíčka je povolena.	Dotáhněte zapalovací svíčku.

Motor startuje, ale znovu se vypíná.		
Problém	Možná příčina	Doporučený krok
Palivová nádrž	Nesprávný typ paliva.	Vypusťte a použijte správné palivo.
Karburátor	Nesprávné volnoběžné otáčky.	Seřídte volnoběžné otáčky. Další informace naleznete v části <i>Úprava volnoběžných otáček na strani 242</i> . Pokud je to nutné, obraťte se na servis.

Motor startuje, ale znovu se vypíná.		
Problém	Možná příčina	Doporučený krok
Vzduchový filtr	Ucpaný vzduchový filtr.	Vyčistěte vzduchový filtr.

Žací nůž		
Problém	Možné příčiny	Doporučený krok
Nůž se pohybuje pomalu nebo vůbec.	Nůž se zablokoval nebo je poškozený.	Odstraňte z nože nežádoucí materiály. Další informace naleznete v části <i>Čištění a mazání nožů na strani 243</i> . Jak odstranit otřepy z nože naleznete v části <i>Prohlídka nožů na strani 243</i> . Poškozený nůž je nutné vyměnit.
Nůž neseká s lehkostí.	Nůž není ostrý nebo je poškozený.	Naostřete nůž podle pokynů v části <i>Prohlídka nožů na strani 243</i> . Poškozený nůž je nutné vyměnit.
Nůž je horký.	Mezi noži vzniká tření.	Odstraňte z nože otřepy a promažte ho. Další informace naleznete v části <i>Prohlídka nožů na strani 243</i> .

Přeprava, skladování a likvidace

Přeprava a skladování

- Před uložením nechte výrobek vychladnout.
- Před uskladněním a přepravou výrobku či paliva zkontrolujte, zda nejsou přítomny známky úniku nebo výparů. Jiskry a otevřený oheň, například z elektrických zařízení nebo kotlů, mohou zažehnout požár.
- Vždy používejte schválené nádoby na skladování a přepravu paliva.
- Před přepravou nebo dlouhodobým uskladněním vyprázdňte palivovou nádrž. Odevzdejte palivo na příslušném sběrném místě.
- Během přepravy a skladování musí být nasazený přepravní kryt.
- Ze zapalovací svíčky vyjměte koncovku kabelu zapalovací svíčky.

- Během přepravy musí být výrobek řádně upevněný. Ujistěte se, že se nepohybuje.
- Před dlouhodobým uskladněním výrobek vyčistěte a proveďte servis.

Likvidace

- Dodržujte místní požadavky a platné předpisy.
- Všechny chemikálie, například motorový olej nebo palivo, odevzdejte v servisním středisku nebo na příslušném sběrném místě.
- Zlikvidujte výrobek na schváleném sběrném místě nebo jej odešlete k likvidaci společnosti McCULLOCH.

Technické údaje

Technické údaje

Technické údaje	SUPERLITE 4528	ERGOLITE 6028
Motor		
Zdvihový objem válce, cm ³	21,7	21,7
Volnoběžné otáčky, ot/min	2800	2800
Doporučené maximální otáčky, ot/min	9000	9000

Technické údaje	SUPERLITE 4528	ERGOLITE 6028
Max. výkon motoru, dle normy ISO 8893, kW/ot/min	0,6/7800	0,6/7800
Tlumič výfuku s katalytickým konvertorem	Ano	Ano
Systém zapalování		
Zapalovací svíčka	HQT-4 672201	HQT-4 672201
Elektrodová vzdálenost, mm	0,5	0,5
Palivo		
Objem palivové nádrže, l	0,3	0,3
Hmotnost		
Hmotnost, kg	4,8	5,0
Emise hluku ⁴³		
Hladina akustického výkonu, změřená dB (A)	100	100
Hladina akustického výkonu, zaručená L _{WA} dB (A)	101	101
Hladiny hluku ⁴⁴		
Ekvivalentní hladina akustického tlaku v úrovni uší obsluhy, změřená podle normy EN ISO 10517, dB(A)	93	93
Úrovně vibrací ⁴⁵		
Ekvivalentní hladiny vibrací (a _{hV,eq}) v rukojetích, měřené podle norem EN ISO 10517, m/s ² :		
Přední/zadní, mm/s ²	3,5/4,4	4,1/5,2
Břity		
Typ	Oboustranné	Oboustranné
Délka řezu, mm	450	590
Rychlost, řezů/min	4050	4050

⁴³ Emise hluku do okolního prostředí měřené jako akustický výkon (L_{WA}) v souladu se směrnicí 2000/14/ES. Uváděná hladina akustického výkonu pro výrobek byla měřena s originálním řezacím nástavcem, který generuje nejvyšší hladinu. Rozdíl mezi garantovaným a měřeným akustickým výkonem je v tom, že garantovaný akustický výkon rovněž zahrnuje rozptýl výsledků měření a rozdíly mezi různými výrobky téhož modelu podle Směrnice 2000/14/ES.

⁴⁴ Uváděná data pro hladinu akustického tlaku mají typickou statistickou odchylku (standardní odchylku) 1 dB (A).

⁴⁵ Uváděná data o úrovni vibrací mají typickou statistickou odchylku (standardní odchylku) 1 m/s².

ES Prohlášení o shodě

Prohlášení o shodě EU

Společnost **Husqvarna AB**, SE-561 82 Huskvarna,
Švédsko, tel.: +46-36-146500, na svou výhradní
odpovědnost prohlašuje, že výrobek:

Popis	Nůžky na živý plot
Značka	McCULLOCH
Typ/Model	SUPERLITE 4528, ERGOLITE 6028
Identifikace	Výrobní čísla od roku 2022 a dále

je zcela ve shodě s následujícími směrnici a předpisy
EU:

Nařízení	Popis
2006/42/ES	„o strojních zařízeních“
2014/30/EU	„o elektromagnetické kompatibilitě“
2000/14/ES	„týkající se emisí hluku do okolního prostředí, příloha V“
2011/65/EU	„o omezení používání některých nebezpečných látek v elektrických a elektronických zařízeních“

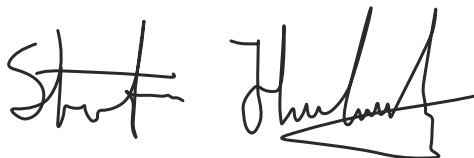
a že byly použity následující normy nebo technické
specifikace: EN ISO 12100:2010, EN ISO 10517:2019,
EN IEC 63000:2018, EN ISO 14982:2009.

Oznámený subjekt: Institut RISE SMP Svensk
Maskinprovning AB,, Box 7035, SE-750 07 Uppsala,
Sweden provedl jménem společnosti Husqvarna AB
dobrovolnou typovou zkoušku.

Číslo certifikátu: SEC/11/2327

Informace o emisích hluku najdete v části *Technické
údaje na strani 245.*

Huskvarna, 2022-02-15



Stefan Holmberg, manažer divize Handheld Global, Lab
Manager HH Global Services, Husqvarna AB

Osoba odpovědná za technickou dokumentaci

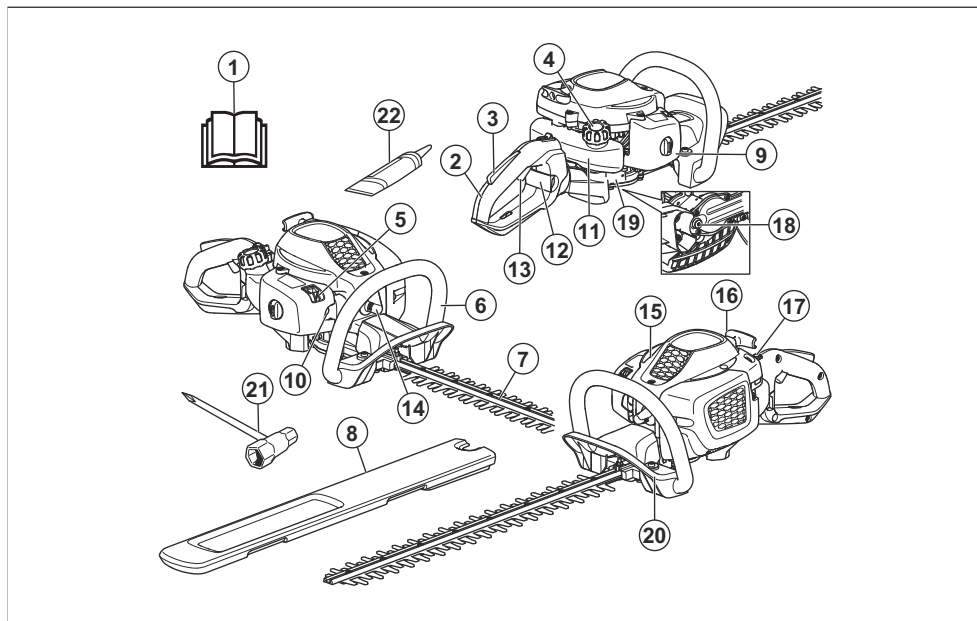


Obsah

Úvod.....	248	Riešenie problémov.....	260
Bezpečnosť.....	249	Preprava, skladovanie a likvidácia.....	261
Prevádzka.....	254	Technické údaje.....	261
Údržba.....	257	ES vyhlásenie o zhode.....	263

Úvod

Prehľad výrobku



1. Návod na obsluhu
2. Zadná rukoväť
3. Poistka páčky plynu
4. Uzáver palivovej nádrže
5. Ovládanie sýtiča
6. Predná rukoväť
7. Nôž a chránič noža
8. Transportný kryt
9. Kryt vzduchového filtra
10. Balónik pumpy
11. Palivová nádrž
12. Zámok rukoväte (ErgoLite)
13. Páčka plynu
14. Kryt zapáľovacej sviečky a zapáľovacia sviečka
15. Kryt valca
16. Držadlo štartovacieho lanka

17. Vypínač
18. Viečko plniaceho otvoru mazivo
19. Sériňa prevodovky
20. Chránič ruky
21. Kombinovaný kľúč
22. Tuba maziva

Popis výrobku

Tento výrobok je plotostrih so spaľovacím motorom.

Plánované použitie

Výrobok slúži na orezávanie konárov a vetvičiek.
Výrobok nepoužívajte na iné účely.

Symbyly na výrobku



UPOZORNENIE! Tento výrobok môže byť nebezpečný a spôsobiť vážne poranenie alebo usmrtenie obsluhujúceho pracovníka alebo iných osôb. Zachovávajújte opatnosť a používajte výrobok správnym spôsobom.



Skôr než začnete produkt používať, pozorne si prečítajte návod na obsluhu a dôsledne sa oboznámte s pokynmi.



Používajte schválené prostriedky na ochranu sluchu a ochranu očí.



Používajte schválené ochranné rukavice.



Používajte odolné protišmykové topánky.



Balónik pumpy.



Sýtič.



Nastavenia poistky rukováti.



Palivo.



Emisie hluku do okolia podľa európskej smernice 2000/14/EÚ a legislatívy v štáte New South Wales „Protection of the Environment Operations (Noise Control) Regulation 2017“ (Nariadenie o ochrane životného prostredia pri prevádzke (kontrola hluku) z roku 2017). Údaje o emisii hluku možno nájsť na štítku stroja a v kapitole s technickými údajmi.



Tento výrobok je v súlade s príslušnými smernicami ES.

mmrtoxxx

Výrobné číslo sa uvádza na výkonnovom štítku. **yyyy** je rok výroby a **ww** je týždeň výroby.

Poznámka: Ostatné symbyly/emblémy na výrobku odkazujú na zvláštne požiadavky certifikácie pre určité trhy.

Emisie Euro V



VÝSTRAHA: Nepovolená manipulácia s motorom ruší platnosť typového schválenia tohto výrobku pre EÚ.

Bezpečnosť

Bezpečnostné definície

Výstrahy, upozornenia a poznámky slúžia na zdôraznenie mimoriadne dôležitých častí návodu.



VÝSTRAHA: Používa sa, ak pre obsluhu alebo osoby v okolí existuje nebezpečenstvo poranenia alebo smrti v prípade nedodržania pokynov v návode.



VAROVANIE: Používa sa, ak hrozí nebezpečenstvo poškodenia produktu, iných materiálov alebo okolitej oblasti v prípade nedodržania pokynov v návode.

Poznámka: Používa sa na poskytnutie informácií nad rámec nevyhnutných informácií v danej situácii.

Všeobecné bezpečnostné pokyny



VÝSTRAHA: Skôr než budete výrobok používať, prečítajte si nasledujúce výstrahy.

- Pri nesprávnom alebo neopatrnom používaní výrobku sa z neho môže stať nebezpečný nástroj, ktorý môže spôsobiť vážne alebo dokonca smrteľné zranenie. Je mimoriadne dôležité, aby ste si prečítali tento návod na obsluhu a aby ste rozumeli jeho obsahu.
- Tento výrobok vytvára počas prevádzky elektromagnetické pole. Toto pole môže za určitých okolností spôsobovať rušenie aktívnych alebo pasívnych implantovaných zdravotníckych pomôcok. Na zníženie rizika vážneho alebo smrteľného poranenia odporúčame, aby sa osoby s implantovanými pomôckami poradili so svojím

lekárom a výrobcom pomôcky ešte pred použitím tohto výrobku.

- Nadmerné vystavenie vibráciám môže viesť k poškodeniu krvného obehu alebo nervovým poškodeniam u ľudí, ktorý majú zhoršený krvný obeh. Pri symptómoch nadmerného vystavenia vibráciám sa obráťte na svojho lekára. Tieto príznaky sú trpnutie, strata citu, chvenie, pichanie, bolesť, strata sily, zmeny vo farbe a stave pleti. Tieto symptómy sa bežne objavujú na prstoch, rukách a zápästiach. Riziko je väčšie pri nízkych teplotách.
- Použitý tlmíč výfuku a ochrana pred iskrami môžu obsahovať karcinogénne častice zo spaľovania. Pri manipulácii s tlmíčom výfuku alebo ochranou pred iskrami sa vyhňte expozícii týmto zlúčeninám. Pred manipuláciou s tlmíčom výfuku alebo ochranou pred iskrami si prečítajte pokyny v časti *Kontrola tlmíča výfuku na strane 252*.
- Ak sa vyskytne situácia, v ktorej si nebudete istí, ako postupovať, obráťte sa na odborníka. Kontaktujte predajcu alebo servisné stredisko. Nepoužívajte výrobok, ak to podľa vás presahuje vaše možnosti.
- Majte na pamäti, že za nehody alebo nebezpečenstvo hroziace iným osobám alebo ich majetku zodpovedá obsluhujúca osoba.
- Nikdy nikomu nedovoľte, aby používal výrobok bez toho, že by ste sa najprv ubezpečili, že správne pochopil obsah návodu na obsluhu.
- Nikdy nedovoľte, aby výrobok používali deti alebo aby sa pohybovali v jeho blízkosti. Keďže výrobok je vybavený pružinovým vypínačom a možno ho naštartovať už pomalým a slabým zatiahnutím za držadlo štartéra, môžu za istých okolností dokonca aj malé deti vyvinúť silu potrebnú na naštartovanie výrobku. To môže znamenať riziko vážneho poranenia. Preto odmontujte kryt zapalovacej sviečky vždy, keď výrobok nie je pod dohľadom.
- Výrobok skladujte mimo dosahu detí.
- Nikdy nepoužívajte výrobok pri únave, po požití alkoholu alebo užívaní liekov, ktoré môžu viesť k zhoršeniu zraku, úsudku alebo koordinácie.
- Nikdy nepoužívajte poškodený výrobok. Vykonávajte kontroly, údržbu a dodržiavajte servisné pokyny uvedené v tejto príručke. Určité opatrenia týkajúce sa servisu a údržby zariadenia musia vykonávať iba školení a kvalifikovaní odborníci. Pozrite si pokyny v časti Údržba.
- Nikdy nepoužívajte výrobok, ktorý bol pozmenený a nezohoduje sa s originálnymi špecifikáciami.

Bezpečnostné pokyny pre prevádzku



VÝSTRAHA: Skôr než budete výrobok používať, prečítajte si nasledujúce výstrahy.

- Nikdy nepoužívajte výrobok za nepriaznivého počasia, napríklad pri veľkom mraze, vo veľmi horúcom alebo vlhkom podnebí.

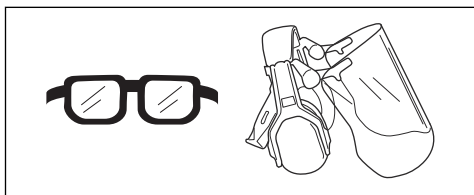
- Chybné nože môžu zvýšiť nebezpečenstvo nehôd.
- Zabezpečte, aby sa počas práce nemohli do okruhu 15 m od výrobku dostať žiadni ľudia ani zvieratá.
- Presvedčte sa, že v blízkosti nie sú ľudia ani zvieratá, ktoré by mohli prísť do kontaktu s rezným zariadením.
- Skontrolujte pracovnú oblasť. Odstráňte všetky predmety, ktoré by mohli pri strihaní vyletúvať.
- Vždy pracujte v bezpečnej a stabilnej pracovnej polohe.
- Nikdy nenechávajte výrobok bez dozoru so spusteným motorom.
- Dávajte pozor, aby sa ruky a nohy nedostali do kontaktu s rezným zariadením, kým je zapnutý motor.
- Ak sa počas práce v čepeliach čokoľvek zasekne, vypnite motor a počkajte, kým sa rezacie zariadenie úplne nezastaví, až potom čepele uvoľníte. Odpojte kryt zapalovacej sviečky od sviečky.
- Po vypnutí motora počkajte a nedotýkajte sa rezného zariadenia, kým sa úplne nezastaví.
- Dávajte pozor na zvyšky konárov, ktoré môžu odletúvať pri rezaní.
- Ak nosíte chrániče sluchu, dávajte pozor na varovné signály alebo výkriky. Vždy si chrániče sluchu skladajte hneď, ako sa motor zastaví.
- Nikdy nepracujte, ak stojíte na rebriku alebo v inej vyvýšenej polohe, ktorá nie je úplne bezpečná.
- Výrobok vždy držte oboma rukami. Výrobok držte pred telom.
- Ak výrobok zasiahne cudzí predmet alebo ak cítite vibrácie, ihneď ho zastavte. Odpojte kryt zapalovacej sviečky od sviečky. Skontrolujte, či výrobok nie je poškodený. Akékoľvek poškodenie opravte.
- Skontrolujte, či nie sú uzáver zapalovacej sviečky a zapalovací vodič poškodené, aby ste predišli riziku elektrického šoku.
- Skontrolujte, či sú všetky matice a skrutky zatiahnuté.
- Skontrolujte, či je správne namazaná skriňa prevodovky. Pozrite si časť *Mazanie skrine prevodovky na strane 259*.
- Skriňa prevodovky sa počas používania výrobku zohreje. Nedotýkajte sa skrine prevodovky, aby ste predišli popáleniu.
- Pred naštartovaním sa musia nasadiť všetky kryty a ochranné prvky.
- Ak sa čepele zaseknú, môžete ich uvoľniť zasunutím kombinovaného kľúča do skrine prevodovky. Zasuňte kombinovaný kľúč do prevodov a otáčajte dopredu a dozadu. Pozrite si časť *Mazanie skrine prevodovky na strane 259*.
- Ak výrobok nepoužívate, vždy je na rezné zariadenie potrebné nasadiť transportný kryt.

Osobné ochranné prostriedky

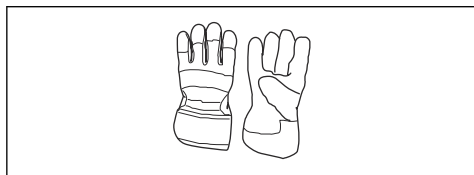


VÝSTRAHA: Skôr než budete výrobok používať, prečítajte si nasledujúce výstrahy.

- Pri používaní produktu vždy používajte schválené osobné ochranné prostriedky. Osobné ochranné prostriedky nedokážu úplne vylúčiť riziko, ale môžu znížiť vážnosť zranenia v prípade nehody. Váš predajca vám pomôže pri výbere správnych prostriedkov.
- Používajte schválené chrániče sluchu, ktoré zaručujú primeranú redukciu hluku. Dlhodobé vystavenie sa hluku môže spôsobiť trvalé poškodenie sluchu.
- Používajte schválené chrániče očí. Ak používate štít, musíte tiež používať schválené ochranné okuliare. Schválené ochranné okuliare musia zodpovedať norme ANSI Z87.1 platnej v USA alebo norme EN 166 platnej v krajinách EÚ.



- Keď je to potrebné, používajte rukavice, ako napríklad pri montáži, kontrole alebo čistení rezného zariadenia.

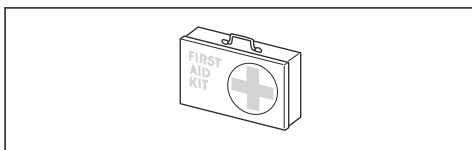


- Noste pevné protišmykové čizmy alebo topánky.



- Používajte odev vyrobený z pevnej tkaniny. Vždy noste pevné, dlhé nohavice a dlhé rukávy. Nepoužívajte voľný odev, ktorý sa môže zachytiť v konároch a vetvách. Nenoste šperky, krátke nohavice, sandále a nebuďte bosí. Vlasy si bezpečne uchytte nad úrovňou ramien.

- Majte poruke pomôcky na poskytnutie prvej pomoci.



Bezpečnostné zariadenia na výrobku

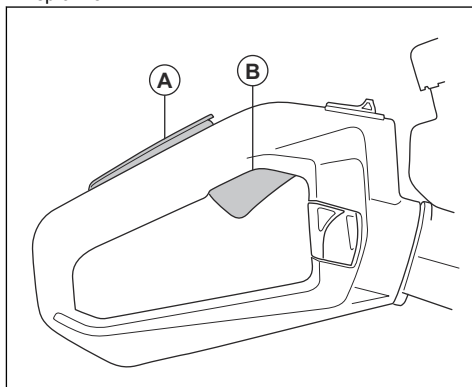


VÝSTRAHA: Skôr než budete produkt používať, prečítajte si nasledujúce výstrahy.

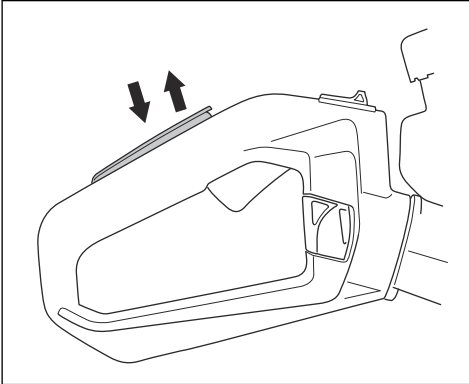
- Nepoužívajte produkt, ktorý má chybné bezpečnostné zariadenia.
- Pravidelne kontrolujte bezpečnostné zariadenia. Ak sú bezpečnostné zariadenia chybné, obráťte sa na servisného zástupcu spoločnosti McCULLOCH.

Kontrola poisťky páčky plynu

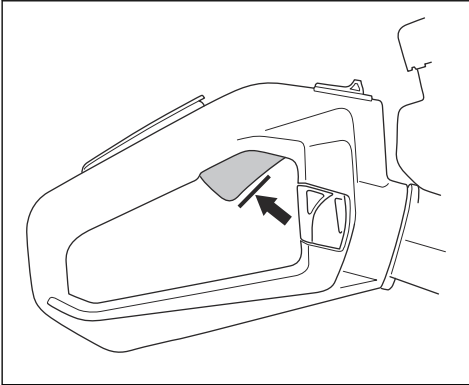
1. Skontrolujte, či sa poisťka páčky plynu (A) a páčka plynu (B) pohybujú voľne a či vratná pružina funguje správne.



2. Stlačte poistku páčky plynu a uistite sa, že sa po uvoľnení vráti do východiskovej polohy.



3. Uvoľnite poistku páčky plynu a skontrolujte či je páčka plynu zaistená v polohe voľnobežných otáčok.



4. Naštartujte motor a pridajte na plný plyn.
5. Uvoľnite páčku plynu a skontrolujte, či sa nože úplne zastavia.



VÝSTRAHA: Ak sa nože nezastavia, keď je páčka plynu v polohe voľnobežných otáčok, nastavte voľnobežné otáčky. Pozrite si časť *Nastavenie voľnobežných otáčok na strane 258.*

Kontrola vypínača

1. Naštartujte motor.
2. Zatláčte vypínač do polohy Stop a skontrolujte, či sa motor zastavil.



VÝSTRAHA: Vypínač sa automaticky vráti do polohy Štart. Aby ste zabránili náhodnému spusteniu, pri montáži alebo

údržbe výrobku odpojte kryt zapalovacej sviečky zo zapalovacej sviečky.

Kontrola chrániča ruky

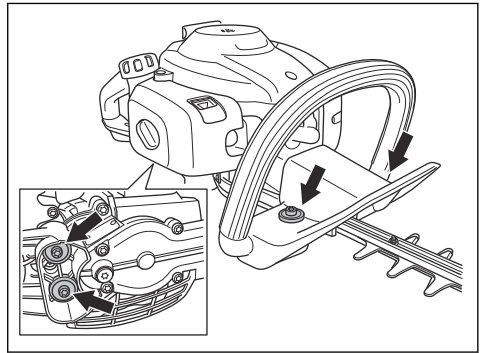
Chránič ruky chráni pred poranením spôsobeným čepeľami.

1. Zastavte motor.
2. Uistite sa, že je chránič ruky správne pripevnený.
3. Skontrolujte, či chránič ruky nie je poškodený

Kontrola systému na tlmenie vibrácií

Systém na tlmenie vibrácií znižuje vibrácie v rukovätiach. Jednotky na tlmenie vibrácií fungujú ako oddeľovacie prvky medzi telom výrobku a jednotkou rukoväti.

1. Pohľadom skontrolujte výskyt prípadných deformácií a poškodení.
2. Skontrolujte, či sú správne nasadené prvky na tlmenie vibrácií.



Kontrola tlmíča výfuku



VÝSTRAHA: Nepoužívajte výrobok, ak chýba alebo je chybný tlmíč výfuku. Poškodený tlmíč výfuku môže zvýšiť hladinu hluku a riziko požiaru. Nepoužívajte výrobok, ak sítko lapača iskier chýba alebo je poškodené. Ak je sítko lapača iskier poškodené, musí sa vymeniť.



VÝSTRAHA: Použitý tlmíč výfuku a ochrana pred iskrami môžu obsahovať karcinogénne častice zo spaľovania. Používajte ochranné rukavice a údržbu vykonávajte v dostatočne vetranom prostredí, aby sa predišlo kontaktu karcinogénnych častíc s pokožkou a ich vdychovaniu. Na čistenie ochrany pred iskrami nepoužívajte stlačený vzduch. Pri

čistení ochrany pred iskrami používajte oceľovú kefu a čistite smerom od tela.



VÝSTRAHA: Tlmiče výfuku sa počas prevádzky a po nej výrazne zahrievajú, a to aj pri voľnobežných otáčkach.



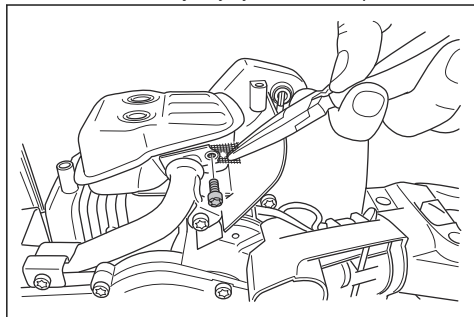
VAROVANIE: Ak je sitko lapača iskier často zanesené, môže to znamenať, že výkon katalyzátora je znížený. Spojte sa so servisným predajcom, aby tlmič výfuku skontroloval. Zablokované sitko lapača iskier spôsobí prehriatie a môže spôsobiť poškodenie valca a piestu.



VÝSTRAHA: Vnútrné povrchy tlmiča výfuku obsahujú chemické látky, ktoré môžu spôsobovať rakovinu. Dajte pozor, aby ste sa týchto prvkov v prípade poškodenia tlmiča výfuku nedotkli.

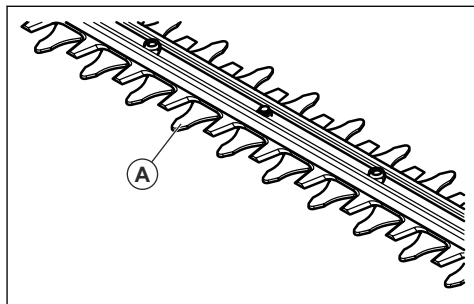
Tlmič výfuku slúži na udržiavanie minimálnej hladiny hluku a na smerovanie výfukových plynov smerom od obsluhy. Tlmič výfuku s katalyzátorom znižuje množstvo škodlivých výfukových plynov.

1. Zastavte motor.
2. Pohľadom skontrolujte prítomnosť prípadných poškodení a deformácií.
3. Skontrolujte, či je tlmič výfuku správne pripevnený k výrobku.
4. Pomocou drôtenej kefy vyčistíte sitko lapača iskier.

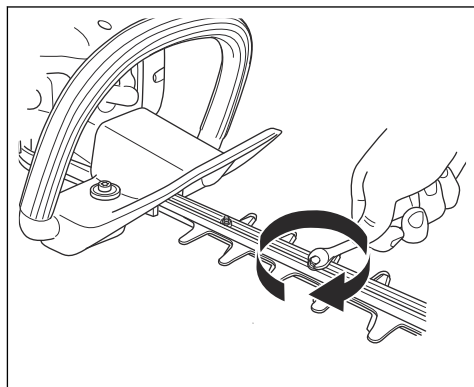


Kontrola noža a chrániča noža

Vonkajšia časť nožov (A) plní funkciu chrániča nožov. Chránič noža zároveň chráni obsluhu pred náhodným kontaktom s nožom.



1. Zastavte motor a skontrolujte, či sa rezné zariadenie zastaví.
2. Odmontujte kryt zapalovacej sviečky od sviečky.
3. Používajte ochranné rukavice.
4. Skontrolujte, či nôž a chránič noža nie sú poškodené ani ohnuté. Poškodenú alebo ohnutú čepeľ vždy vymeňte.
5. Uistite sa, že sú nasadené skrutky na reznom zariadení. Pritiahnite skrutky uťahovacím momentom 7 – 10 Nm.



Bezpečnosť paliva



VÝSTRAHA: Skôr než budete používať produkt, prečítajte si nasledujúce výstrahy.

- Výrobok neštartujte, ak sú na ňom zvyšky paliva alebo motorového oleja. Odstráňte neželané palivo/olej a nechajte výrobok vyschnúť.
- Ak vylejete palivo na odev, okamžite sa prezlečte.
- Dávajte pozor, aby ste si palivo nevyliali na telo, pretože môže spôsobiť poranenie. Ak si palivo vylejete na telo, umyte sa pomocou mydla vody.
- Výrobok neštartujte, ak sa na motore vyskytuje netesnosť. Pravidelne kontrolujte výskyt netesností na motore.

- Pri manipulácii s palivom zachovajte opatrnosť. Palivo je horľavá látka a výpary z paliva sú výbušné a môžu spôsobiť poranenia alebo smrť.
- Vyhnite sa vdychovaniu výparov paliva, pretože môžu spôsobiť poranenie. Zabezpečte dostatočné prúdenie vzduchu.
- V blízkosti paliva alebo motora nefajčite.
- Neukladajte do blízkosti paliva alebo motora teplé predmety.
- Nedopĺňajte palivo, keď je zapnutý motor.
- Pred dopĺňaním paliva sa uistite, že motor vychladol.
- Pred dopĺňaním paliva pomaly otvorte veko palivovej nádrže a opatrne uvoľnite tlak.
- Palivo do motora nedopĺňajte v interiéri. Nedostatočné prúdenie vzduchu môže spôsobiť poranenie alebo smrť v dôsledku udusenía alebo otravy oxidom uhoľnatým.
- Veko palivovej nádrže pevne utiahnite. Ak nie je veko palivovej nádrže pevne utiahnuté, existuje riziko vzniku požiaru.
- Pred naštartovaním premiestnite výrobok minimálne 3 m od miesta, kde ste dopĺňali palivo do nádrže.
- Palivovú nádrž nedopĺňajte úplne doplna. Teplo spôsobuje expanziu paliva. Uchovajte miesto navrchu palivovej nádrže.
- Zastavte motor a skontrolujte, či sa rezné zariadenie zastaví. Pred vykonávaním údržby nechajte produkt vychladnúť.
- Pred vykonávaním údržby odpojte kryt zapaľovacej sviečky.
- Výfukové plyny z motora obsahujú oxid uhoľnatý, plyn bez zápachu, ktorý je jedovatý, veľmi nebezpečný a môže spôsobiť smrť. Produkt neštartujte v interiéri ani v uzavretých priestoroch.
- Výfukové plyny z motora sú horúce a môžu obsahovať iskry. Nepoužívajte výrobok vo vnútri ani v blízkosti horľavého materiálu.
- Príslušenstvo a úprava výrobku, ktoré neschválil výrobca, môžu spôsobiť vážne poranenia alebo smrť. Výrobok neupravujte. Vždy používajte originálne príslušenstvo.
- Nepravidelná a nesprávne vykonaná údržba zvyšuje nebezpečenstvo poranenia a poškodenia výrobku.
- Vykonávajte len údržbu odporúčanú v tomto návode na obsluhu. Vykonanie všetkých ostatných servisných úkonov ponechajte na schváleného servisného zástupcu spoločnosti McCULLOCH.
- Výrobok nechajte pravidelne kontrolovať kvôli údržbe u schváleného servisného zástupcu spoločnosti McCULLOCH.
- Vymeňte všetky poškodené, opotrebované alebo zlomené diely.

Bezpečnostné pokyny pre údržbu



VÝSTRAHA: Skôr než budete výrobok používať, prečítajte si nasledujúce výstrahy.

Prevádzka

Úvod



VÝSTRAHA: Pred používaním výrobku si prečítajte kapitolu o bezpečnosti a uistite sa, že rozumiete informáciám, ktoré sa v nej uvádzajú.

Palivo

Tento výrobok má dvojtaktný motor.



VAROVANIE: Nesprávny typ paliva môže poškodiť motor. Používajte zmes benzínu a dvojtaktného oleja.

Namiešané palivo

- Na dosiahnutie najlepšieho výkonu a maximalizáciu životnosti motora použite namiešané alkylátové palivo McCULLOCH. Toto palivo obsahuje v porovnaní s bežným palivom menej škodlivých látok, čo znižuje objem škodlivých výfukových plynov. Množstvo zvyškov po spalovaní je pri

tomto palive nižšie, čo udržuje komponenty motora čistejšie.

Miešanie paliva

Benzín

- Používajte kvalitný bezolovnatý benzín s max. 10 % etanolu.



VAROVANIE: Nepoužívajte benzín s oktánovým číslom menším než 90 RON/87 AKI. Použitie nižšieho oktánového čísla môže spôsobiť klepanie motora, ktoré môže viesť k poškodeniu motora.

Dvojtaktný olej

- Na dosiahnutie najlepších výsledkov používajte dvojtaktný olej McCULLOCH.
- Ak nemáte k dispozícii dvojtaktný olej McCULLOCH, môžete použiť iný dvojtaktný olej vysokej kvality, ktorý je určený pre vzduchom chladené motory.

S výberom správneho oleja vám poradí váš servisný predajca.



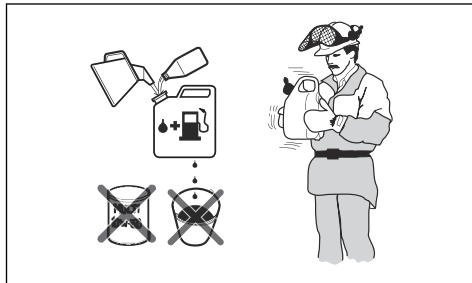
VAROVANIE: Nepoužívajte olej pre dvojtaktné motory určený pre vodou chladené motory, niekedy označovaný aj ako olej pre lodné motory. Nepoužívajte oleje určené pre štvortaktné motory.

Vytvorenie zmesi benzínu a oleja pre dvojtaktné motory

Benzín, liter	Olej pre dvojtaktné motory, liter
	2 % (50:1)
5	0,10
10	0,20
15	0,30
20	0,40



VAROVANIE: Pri miešaní malého množstva paliva môžu malé chyby výrazne ovplyvniť pomer zmesi. Opatrne odmerajte množstvo oleja, aby ste získali správnu zmes.



1. Polovicu množstva benzínu nalejte do čistej nádoby na palivo.
2. Pridajte celú dávku oleja.
3. Zmes paliva premiešajte.
4. Do nádoby pridajte zvyšné množstvo benzínu.
5. Zmes paliva opatrne premiešajte.

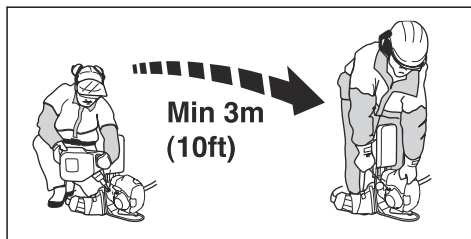


VAROVANIE: Zmes paliva nemiešajte na viac ako 1 mesiac.

Dopĺňanie paliva do palivovej nádrže

1. Vyčistíte priestor okolo veka palivovej nádrže.

2. Zatraste nádobou a skontrolujte, či je palivo úplne zmiešané. Používajte nádobu na palivo s ventilom proti pretečeniu.
3. Zložte uzáver palivovej nádrže.
4. Nalejte palivo do palivovej nádrže.
5. Utiahnite veko palivovej nádrže.
6. Pred naštartovaním sa s výrobkom vzdiaňte od miesta dopĺňania paliva a od zdroja minimálne o 3 m (10 stôp).

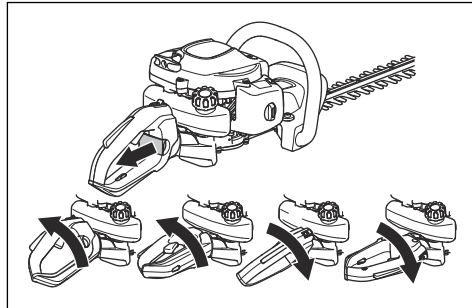


VAROVANIE: Nečistoty v nádržiach spôsobujú poruchy. Palivovú nádrž a nádrž na olej na mazanie reťaze pravidelne čistite. Palivový filter vymeňte minimálne raz za rok.

Nastavenie rukoväti (ERGOLITE 6028)

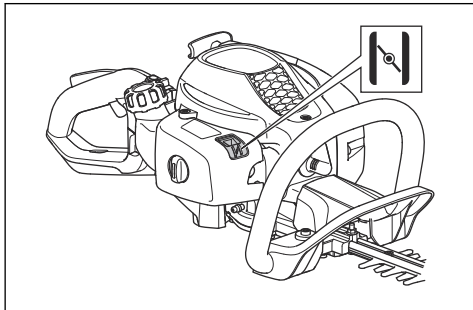
Zadnú rukoväť možno nastaviť do 5 polôh.

- Uvoľnite zámok rukoväti a otočte rukoväť.



Spustenie výrobku so studeným motorom

1. Vytiahnite ovládanie sýtiča a do polohy sýtiča.



2. Balónik pumpy stlačte približne 6-krát alebo dovtedy, kým sa balónik nezačne plniť palivom. Nie je potrebné úplne naplniť balónik pumpy.
3. Ľavou rukou držte telo výrobku na zemi. Na výrobok nestúpajte.
4. Pomaly ťahajte rukoväť štartovacieho lanka pravou rukou, kým nepocítite istý odpor, a následne rukoväť štartovacieho lanka potiahnite rýchlo a silno.



VÝSTRAHA: Štartovacie lanko si neovíjajte okolo ruky.



VAROVANIE: Nevyťahujte štartovaciu šnúru úplne von a nepúšťajte rukoväť štartovacej šnúry.

5. Pokračujte v ťahaní rukoväti štartovacieho lanka, kým motor nenaskočí, a potom zatlačte ovládanie sýtiča do jeho pôvodnej polohy.



VÝSTRAHA: Keď sa motor štartuje, nože sa hýbu.

6. Pokračujte v ťahaní rukoväti štartovacieho lanka, kým motor nenaštartuje.
7. Stlačením a uvoľnením páčky plynu nastavte motor na voľnobežné otáčky.
8. Ak chcete znížiť otáčky motora, potiahnite ovládanie plynu dozadu.
9. Uistite sa, že motor pracuje bez problémov.

Spustenie výrobku so zahriatym motorom

1. Ľavou rukou držte telo výrobku na zemi. Na výrobok nestúpajte.

2. Pomaly ťahajte rukoväť štartovacieho lanka pravou rukou, kým nepocítite istý odpor, a následne rukoväť štartovacieho lanka potiahnite rýchlo a silno. Pokračujte, kým sa motor nenaštartuje.

Poznámka: Ďalšie informácie o spôsobe štartovania produktu nájdete v časti *Spustenie výrobku so studeným motorom na strane 256*.

Vypnutie výrobku

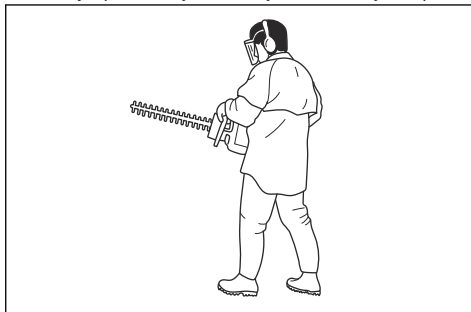
- Motor môžete zastaviť posunutím vypínača do polohy zastavenia.



VAROVANIE: Vypínač sa automaticky vráti do polohy prevádzky.

Prevádzka produktu

1. Štartujte výrobok pri zemi a pri rezaní bočných častí plota posúvajte výrobok smerom nahor pozdĺž plota. Dávajte pozor, aby sa telo výrobku nedotýkalo plota.



VÝSTRAHA: Dávajte pozor, aby sa predná časť rezného zariadenia nedotýkala zeme.

2. Upravte otáčky tak, aby zodpovedali zaťaženiu pri práci.
3. Na zabezpečenie stabilnej polohy pri práci držte výrobok v blízkosti tela.
4. Zachovávajte opatnosť a používajte výrobok pomaly.

Údržba

Úvod

že rozumiete informáciám, ktoré sú v nej uvedené.



VÝSTRAHA: Pred údržbou výrobku si prečítajte kapitolu o bezpečnosti a uistite sa,

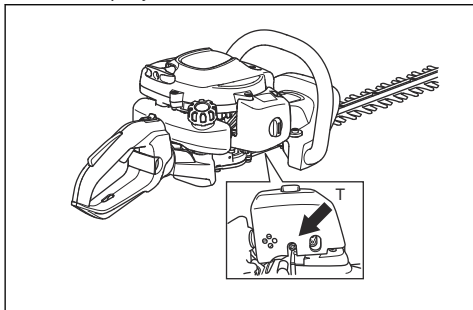
Plán údržby

Údržba	Pred prevádzkou	Po 40 h	Po 100 h
Vyčistíte vonkajšie povrchy.		Po každom použití.	
Z tmiča výfuku, výfukového potrubia a motora odstráňte listy, nečistoty a nežiaduce mazivo.		Po každom použití.	
Skontrolujte, či sa pri voľnobehu nepohybuje rezné zariadenie.	X		
Skontrolujte vypínač. Pozrite si časť <i>Kontrola vypínača na strane 252</i> .	X		
Skontrolujte, či nie je rezné zariadenie poškodené alebo prasknuté. V prípade poškodenia vykonajte výmenu.	X		
Skontrolujte, či nie je chránič ruky poškodený alebo prasknutý. V prípade poškodenia vykonajte výmenu.	X		
Vykonajte kontrolu páčky plynu a poistky páčky plynu. Pozrite si časť <i>Kontrola poistky páčky plynu na strane 251</i> .	X		
Skontrolujte tesnosť motora, palivovej nádrže a palivovej hadice.	X		
Dotiahnite matice a skrutky.	X		
Očistíte alebo vymeňte sitko na ochranu pred iskrami v tmiči. Pozrite si časť <i>Kontrola tmiča výfuku na strane 252</i> .		X	
Skontrolujte, či štartér a štartovacie nie sú poškodené.		X	
Skontrolujte, či sú skrutky, ktorými sú nože prichytené k sebe, správne utiahnuté.		X	
Vyčistíte vzduchový filter. V prípade používania v priestoroch s prachom čistite častejšie. V prípade poškodenia vykonajte výmenu.		X	
Skontrolujte prvky na tlmenie vibrácií, či nie sú poškodené alebo prasknuté. V prípade poškodenia vykonajte výmenu.		X	
Vyčistíte vonkajší povrch zapaľovacej sviečky a jej okolie. Vyberte zapaľovaciu sviečku a zmerajte medzeru medzi elektródami. Nastavte medzeru medzi elektródami alebo vymeňte zapaľovaciu sviečku. Pozrite si časť <i>Kontrola zapaľovacej sviečky na strane 258</i> .		X	
Vyčistíte chladiaci systém.		X	
Vyčistíte vonkajší povrch karburátora a jeho okolie.		X	
Skontrolujte, či nie je palivový filter znečistený a či nie je palivová hadica prasknutá alebo inak poškodená. V prípade poškodenia vykonajte výmenu.			X
Očistíte sitko lapača iskier na výfuku a ak je poškodené, vymeňte ho.			X
Vyčistíte vnútorný povrch palivovej nádrže.			X

Údržba	Pred pre- vádzkou	Po 40 h	Po 100 h
Vymeňte zapalovaciu sviečku.			X
Skontrolujte opotrebovanie spojky, pružiny spojky a bubna spojky. V prípade poškodenia nechajte vymeniť schváleným servisným predajcom.			X
Skontrolujte, či je skriňa prevodovky naplnená mazivom.			X
Skontrolujte všetky káble a pripojenia.			X

Nastavenie voľnobežných otáčok

- Očistíte vzduchový filter a pripevníte kryt vzduchového filtra.
- Zapnite výrobok. Pozrite si časť *Spustenie výrobu so studeným motorom na strane 256*.
- Otáčajte nastavovaciu skrutku voľnobehu T v smere hodinových ručičiek, kým sa rezné zariadenie nezačne pohybovať.



- Otáčajte nastavovaciu skrutku voľnobehu proti smeru hodinových ručičiek, kým sa rezné zariadenie nezastaví.



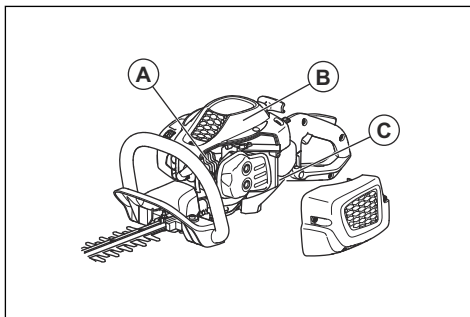
VÝSTRAHA: Ak sa pri úprave rýchlosti voľnobehu rezné zariadenie nezastaví, obráťte sa na najbližšieho servisného predajcu. Nepoužívajte výrobok, kým nebol správne nastavený alebo opravený.

Poznámka: Voľnobežné otáčky sú nastavené správne, ak motor beží plynulo vo všetkých polohách. Informácie o odporúčaných voľnobežných otáčkach nájdete v časti *Technické údaje na strane 261*.

Čistenie chladiaceho systému

Chladiaci systém udržiava teplotu motora na nižšej úrovni. Chladiaci systém pozostáva z chladiacich rebier

na valci (A), krytu valca (B) a nasávania vzduchu cez klukovú skriňu (C).



VAROVANIE: Nasávanie vzduchu medzi palivovou nádržou a klukovou skriňou sa ľahko upchá listami. Úplne vyčistite nasávanie vzduchu.

- Kefkou očistite chladiaci systém raz týždenne alebo v prípade potreby aj častejšie.
- Skontrolujte, či chladiaci systém nie je znečistený ani upchaný.

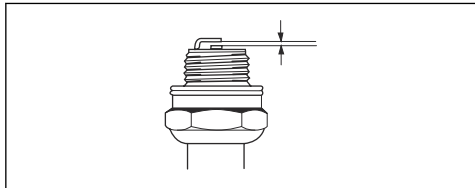
Kontrola zapalovacej sviečky



VAROVANIE: Vždy používajte odporúčaný typ zapalovacej sviečky. Nesprávny typ zapalovacej sviečky môže spôsobiť poškodenie výrobu.

- Ak má motor slabý výkon, ťažko sa štartuje alebo pri voľnobežných otáčkach nefunguje správne, skontrolujte zapalovaciu sviečku.
- Ak chcete znížiť riziko prítomnosti neželateľného materiálu na elektródach zapalovacej sviečky, postupujte takto:
 - Uistite sa, že voľnobežné otáčky sú správne nastavené.
 - Uistite sa, že používate správnu zmes paliva.
 - Uistite sa, že je čistý vzduchový filter.

- Ak je zapáľovacia sviečka znečistená, očistite ju a skontrolujte, či je medzera medzi elektródami správna. Pozrite si časť *Technické údaje na strane 261*.

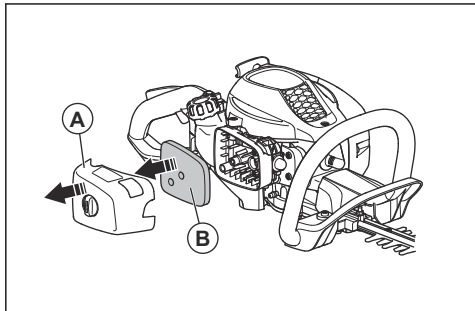


- V prípade potreby vymeňte zapáľovaciu sviečku.

Čistenie vzduchového filtra

Pravidelne čistite vzduchový filter od nečistôt a prachu. Tým sa zabráni poruche karburátora, problémom pri štarte, strate výkonu motora, opotrebovaniu častí motora a väčšej spotrebe paliva ako zvyčajne.

1. Demontujte kryt vzduchového filtra (A).



2. Vyberte vložku vzduchového filtra (B) z rámu filtra.
3. Očistite vzduchový filter teplou mydlovou vodou.



VAROVANIE: Vzduchový filter, ktorý bol používaný dlhší čas, nemožno úplne vyčistiť. Pravidelne vymieňajte vzduchový filter a vždy vymeňte poškodený vzduchový filter.

4. Uistite sa, že je vzduchový filter suchý.
5. Naneste na vzduchový filter olej. Pozrite si časť *Aplikácia oleja na penový vzduchový filter na strane 259*.
6. Očistite vnútorný povrch krytu vzduchového filtra. Použite stlačený vzduch alebo kefku.

Aplikácia oleja na penový vzduchový filter

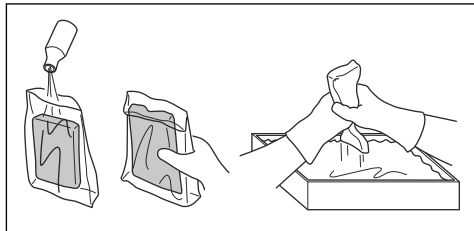


VAROVANIE: Vždy používajte McCULLOCH špeciálny olej na vzduchový filter. Nepoužívajte iné typy olejov.



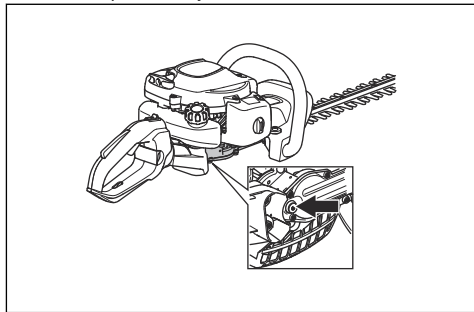
VÝSTRAHA: Používajte ochranné rukavice. Olej vzduchového filtra môže spôsobiť podráždenie pokožky.

1. Vložte penový vzduchový filter do plastového vrečka.
2. Nalejte do plastového vrečka olej.
3. Stláčaním plastového vrečka sa uistite, že sa olej rovnomerne nanesie na celý penový vzduchový filter.
4. Kým sa penový vzduchový filter nachádza v plastovom vrečku, vytlačte z neho prebytočný olej.



Mazanie skrine prevodovky

- Použite špeciálne mazivo McCULLOCH. Ak potrebujete ďalšie informácie o odporúčanom mazive, obráťte sa na servisného predajcu.
- Pridajte mazivo cez viečko plniaceho otvoru maziva na skrinu prevodovky.



VAROVANIE: Skrinu prevodovky nenapĺňajte mazivom na maximum.

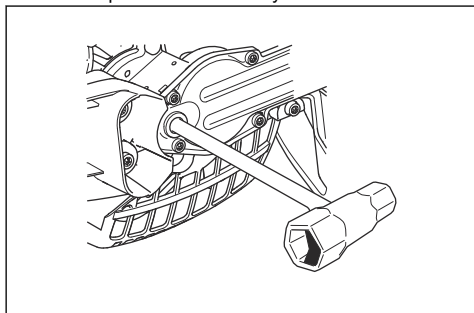
Čistenie a mazanie čepeľí

1. Pred použitím a po použití výrobku odstráňte z nožov nežiaduci materiál.
2. Pred uskladnením na dlhé obdobia nože namažte.

Poznámka: Ak potrebujete ďalšie informácie o odporúčaných čistiacich prostriedkoch a mazivách, obráťte sa na servisného predajcu.

Kontrola čepelí

1. Demontujte viečko plniaceho otvoru maziva na skrini prevodovky.
2. Skontrolujte, či sa čepele voľne pohybujú. Zastrčte kombinovaný kľúč do skrine prevodovky a otáčajte v smere a proti smeru hodinových ručičiek.



3. Skontrolujte, či nie sú poškodené a zdeformované okraje čepelí.
4. Pomocou pilníka odstráňte ostriny na čepeliach.

Riešenie problémov

Riešenie problémov

Motor neštartuje		
Problém	Možná príčina	Odporúčaný krok
Západky štartéra	Západky štartéra sa voľne nepohybujú.	Nastavte alebo vymeňte západky štartéra.
		Vyčistite okolie západiek štartéra.
		Obráťte sa na schváleného servisného predajcu.
Palivová nádrž	Nesprávny typ paliva.	Vypustite obsah a použite správne palivo.
Karburátor	Nesprávne voľnobežné otáčky.	Upravte voľnobežné otáčky.
Žiadna iskra	Zapaľovacia sviečka je špinavá alebo mokrá.	Uistite sa, že je zapaľovacia sviečka suchá a čistá.
	Nesprávna medzera medzi elektródami.	Vyčistite zapaľovaciu sviečku. Skontrolujte, či je medzera medzi elektródami zapaľovacej sviečky správna. Skontrolujte, či je zapaľovacia sviečka nainštalovaná s tlmičom. Informácie o správnej medzere medzi elektródami nájdete v časti <i>Technické údaje na strane 261</i> .
Zapaľovacia sviečka	Zapaľovacia sviečka je uvoľnená.	Utiahnite zapaľovaciu sviečku.

Motor naštartuje, no znova sa vypne		
Problém	Možná příčina	Odporúčaný krok
Palivová nádrž	Nesprávny typ paliva.	Vypustíte obsah a použijete správne palivo.
Karburátor	Nesprávne voľnobežné otáčky.	Upravte voľnobežné otáčky. Pozrite si časť <i>Nastavenie voľnobežných otáčok na strane 258</i> . V prípade potreby sa obráťte na svojho servisného predajcu.
Vzduchový filter	Zanesený vzduchový filter.	Vyčistíte vzduchový filter.

Čepel		
Problém	Možné príčiny	Odporúčaný krok
Nôž sa pohybuje pomaly alebo sa nepohybuje.	Nôž je zablokovaný alebo poškodený.	Očistite nože od neželaného materiálu. Pozrite si časť <i>Čistenie a mazanie čepelí na strane 259</i> . Odstráňte z noža ostriny – pozrite si časť <i>Kontrola čepelí na strane 260</i> . Ak sú kotúč alebo nože poškodené, vymeňte ich.
Nôž nereže ľahko.	Nôž nie je ostrý alebo je poškodený.	Nabrúste nôž – pozrite si časť <i>Kontrola čepelí na strane 260</i> . Ak sú kotúč alebo nože poškodené, vymeňte ich.
Nôž sa zahrieva.	Medzi nožmi dochádza k treniu.	Odstráňte z noža ostriny a namažte ho. Pozrite si časť <i>Kontrola čepelí na strane 260</i> .

Preprava, skladovanie a likvidácia

Preprava a uskladnenie

- Výrobok nechajte pred uskladnením vždy vychladnúť.
- Pri uskladňovaní a preprave výrobku a paliva sa uistite, že nedochádza k úniku kvapaliny a výparov. Iskry alebo otvorené plamene, napr. z elektrických zariadení alebo bojlerov, môžu vyvolať požiar.
- Na uskladnenie a prepravu paliva vždy používajte schválené kanistre.
- Pred prepravou alebo dlhodobým uskladnením vyprázdňte palivovú nádrž. Palivo zlikvidujte v príslušnom zariadení na likvidáciu.
- Počas prepravy a skladovania nasadte transportný kryt.

- Odmontujte kryt zapalovacej sviečky od sviečky.
- Pred prepravou výrobok upevnite. Presvedčte sa, že sa ním nedá pohnúť.
- Pred dlhodobým uskladnením výrobok vyčistite a vykonajte jeho servis.

Likvidácia

- Dodržiavajte miestne požiadavky a platné predpisy.
- Všetky chemikálie, ako napr. motorový olej alebo palivo, zlikvidujte v servisnom stredisku alebo v príslušnom zariadení na likvidáciu.
- Zlikvidujte výrobok na schválenom zariadení na likvidáciu alebo ho za účelom likvidácie odošlite do McCULLOCH.

Technické údaje

Technické údaje

Technické údaje	SUPERLITE 4528	ERGOLITE 6028
Motor		

Technické údaje	SUPERLITE 4528	ERGOLITE 6028
Objem valca, cm ³	21,7	21,7
Voľnobežné otáčky, ot./min	2800	2800
Odporúčané max. otáčky, ot./min	9000	9000
Maximálny výkon motora podľa normy ISO 8893, kW/ot./min	0,6/7 800	0,6/7 800
Tlmič výfuku s katalyzátorom	Áno	Áno
Systém zapalovania		
Zapaľovacia sviečka	HQT-4 672201	HQT-4 672201
Vzdialenosť elektród, mm	0,5	0,5
Palivo		
Objem palivovej nádrže, l	0,3	0,3
Hmotnosť		
Hmotnosť, kg	4,8	5,0
Emisie hluku ⁴⁶		
Nameraná úroveň hlučnosti, dB(A)	100	100
Zaručená úroveň hlučnosti L _{WA} dB(A)	101	101
Úrovně hlučnosti ⁴⁷		
Ekvivalentná hladina akustického tlaku pri uchu používateľa meraná podľa normy EN ISO 10517, dB(A)	93	93
Úrovně vibrácií ⁴⁸		
Ekvivalentné hladiny vibrácií (a _{hv,eq}) na rukovätiach merané podľa normy EN ISO 10517, m/s ² :		
Vpredu/vzadu, mm/s ²	3,5/4,4	4,1/5,2
Nože		
Typ	Obojstranné	Obojstranné
Dĺžka rezu, mm	450	590
Rýchlosť rezania, rezy/min	4050	4050

⁴⁶ Hladina hluku meraná ako akustický tlak (L_{WA}) v súlade s európskou smernicou 2000/14/ES. Uvádzaná hladina akustického výkonu pre výrobok bola meraná s originálnym rezacím nadstavcom, ktorý produkuje najvyššiu úroveň. Rozdiel medzi zaručeným a nameraným akustickým výkonom spočíva v tom, že zaručený akustický výkon zahŕňa aj rozptyl výsledkov merania a rozdiely medzi jednotlivými produktmi rovnakého modelu v súlade so smernicou 2000/14/ES.

⁴⁷ Uvádzané údaje pre hladinu akustického tlaku majú typický štatistický rozptyl (štandardnú odchýlku) 1 dB (A).

⁴⁸ Uvádzané údaje pre ekvivalentný stupeň vibrácií majú typický štatistický rozptyl (štandardnú odchýlku) 1 m/s².

ES vyhlásenie o zhode

Vyhlásenie o zhode EÚ

My, spoločnosť **Husqvarna AB**, SE-561 82 Huskvarna, Švédsko, tel.: +46-36-146500, vyhlasujeme s plnou zodpovednosťou, že výrobok:

Popis	Krovinorez
Značka	McCULLOCH
Typ/model	SUPERLITE 4528, ERGOLITE 6028
Identifikácia	Výrobné čísla od roku 2022 a novšie

plne spĺňa nasledujúce smernice a nariadenia EÚ:

Nariadenie	Popis
2006/42/ES	„o strojových zariadeniach“
2014/30/EÚ	„o elektromagnetickej kompatibilite“
2000/14/ES	„týkajúca sa emisie hluku v prostredí pochádzajúcu zo zariadení používaných vo voľnom priestranstve, príloha V“
2011/65/EÚ	„o obmedzení používania určitých nebezpečných látok v elektrických a elektronických zariadeniach“

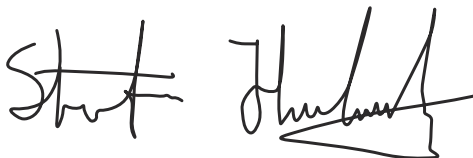
a že sa pri ňom uplatňujú nasledujúce normy a technické špecifikácie: EN ISO 12100:2010, EN ISO 10517:2019, EN IEC 63000:2018, EN ISO 14982:2009.

Notifikovaný orgán: Spoločnosť RISE SMP Svensk Maskinprovning AB,, Box 7035, SE-750 07 Uppsala, Sweden, z poverenia spoločnosti Husqvarna AB vykonala dobrovoľnú typovú skúšku.

Číslo certifikátu: SEC/11/2327

Informácie týkajúce sa emisii hluku nájdete v časti *Technické údaje na strane 261*.

Huskvarna, 2022-02-15



Stefan Holmberg, manažér Handheld Global,
laboratórny manažér HH Global Services, Husqvarna
AB

Zodpovedný za technickú dokumentáciu

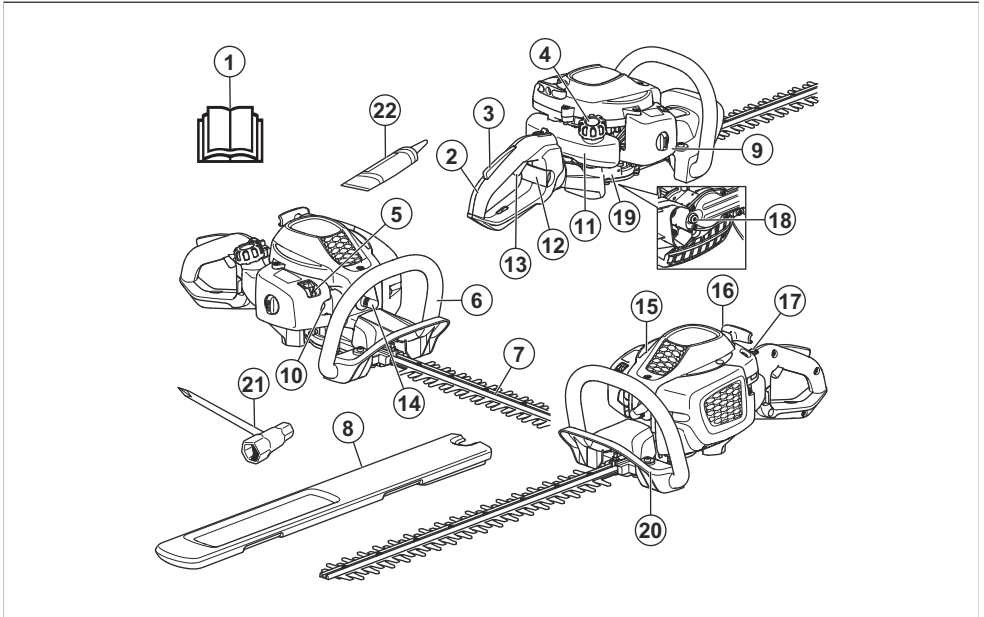


TARTALOMJEGYZÉK

Bevezető.....	264	Hibaelhárítás.....	276
Biztonság.....	265	Szállítás, tárolás és ártalmatlanítás.....	277
Üzemeltetés.....	270	Műszaki adatok.....	278
Karbantartás.....	273	EK megfelelőségi nyilatkozat.....	280

Bevezető

A termék áttekintése



1. Kezelői kézikönyv
2. Hátsó fogantyú
3. Gázadagoló retesze
4. Üzemanyagtartály sapkája
5. Szívatókar
6. Elülső fogantyú
7. Penge és pengevédő
8. Szállítási biztosítószerkezet
9. Légszűrő fedele
10. Üzemanyagpumpa
11. Üzemanyagtartály
12. Fogantyúretesz (ErgoLite)
13. Gázadagoló
14. Gyertyapipa és gyújtógyertya
15. Hengerburkolat
16. Indítózsínór fogantyúja

17. Leállítókapcsoló
18. Kenőanyagöltő nyílás kupakja
19. Sebvártóház
20. Kézvédő
21. Kombinált kulcs
22. Zsirt tartalmazó tubus

Termékleírás

A termék egy belső égésű motorral működő sövénynyíró.

Rendeltetészerű használat

A termék ágak és gallyak vágáshoz használható. Ne használja a terméket egyéb feladatokra.

A termék szimbólumai



FIGYELMEZTETÉS! A termék veszélyes lehet a kezelőre és másokra, valamint a súlyos sérüléseket és halálukat okozhatja. Körültekintően járjon el, és megfelelően használja a terméket.



Olvassa el figyelmesen a használati utasítást, és győződjön meg arról, hogy megértette azt, mielőtt a terméket használatba veszi.



Használjon jóváhagyott fülvédőt és védőszemüveget.



Használjon jóváhagyott védőkesztyűt.



Használjon csúszásálló munkavédelmi bakancsot.



Üzemanyagpumpa.



Szívató.



Retesz a fogantyú beállításához.



Üzemanyag.



A 2000/14/EK számú európai irányelvnek és New South Wales „Környezetben történő munkavégzés (zajszabályozás) szabályozása, 2017” irányelvnek megfelelő környezeti zajszennyezés. A zajszennyezésre vonatkozó adatok a gép címkéjén és a Műszaki adatok című fejezetben találhatóak.



Ez a termék megfelel a vonatkozó EK-irányelveknek.

ééééhhxxxx

A sorozatszám a típustáblán szerepel. **éééé** a gyártási év, **hh** pedig a gyártási hét.

Megjegyzés: A terméken szereplő többi jel/címke egyes piacok specifikus vizsgáztatási követelményeire vonatkozik.

Euro V. kibocsátási norma



FIGYELMEZTETÉS: A motor módosítása érvényteleníti a termékre vonatkozó európai uniós típusjóváahagyást.

Biztonság

Biztonsági meghatározások

A figyelmeztetések, óvintézkedések és megjegyzések a használati utasítás kiemelten fontos részeire hívják fel a figyelmet.



FIGYELMEZTETÉS: Akkor használatos, ha a kézikönyv utasításainak be nem tartása esetén fennáll a kezelő vagy a közelben tartózkodók sérülésének vagy halálának veszélye.



VIGYÁZAT: Akkor használatos, ha a kézikönyv utasításainak be nem tartása esetén fennáll a vagyoni kár, illetve a termék vagy a környező terület károsodásának veszélye.

Megjegyzés: További információt biztosít az adott helyzetben szükséges tennivalókról.

Általános biztonsági utasítások



FIGYELMEZTETÉS: A termék használata előtt olvassa el az alábbi figyelmeztetéseket.

- Helytelen vagy gondatlan használat esetén a termék veszélyessé válhat, és súlyos, akár halálos sérülést is okozhat. Rendkívül fontos, hogy elolvassa és megértse ezt a használati utasítást.
- A termék működés közben elektromágneses mezőt hoz létre. Ez bizonyos körülmények esetén hatással lehet az aktív vagy passzív orvosi implantátumokra. A súlyos vagy halálos sérülés kockázatának csökkentése érdekében azt javasoljuk, hogy az orvosi implantátumot használó személyek a termék

alkalmazása előtt kérjük ki orvosuk vagy az orvosi implantátum gyártójának tanácsát.

- Az erős rezgés miatt a vérkeringési zavarokban szenvedő személyeknél ér- vagy idegsérülések léphetnek fel. Forduljon orvoshoz, ha olyan tüneteket tapasztal, amelyek az erős rezgés hatására jöhetnek létre. Ezek a tünetek többek között zsibbadás, érzékiesség, bizsergés, szűró érzés, fájdalom, erőtlenység, a bőr színének vagy felületének megváltozása. A tünetek többnyire az ujjakban, a kézben vagy a csuklóban jelentkeznek. Alacsony hőmérsékleten a veszély növekedhet.
- A használt hangfogó és szikrafogó rákkeltő égéstermék-részecskéket tartalmazhat. A hangfogó és szikrafogó kezelésekor kerülje az ezen anyagoknak való kitettséget. A hangfogó és a szikrafogó használata előtt olvassa el a következő részben található utasításokat: *A hangfogó ellenőrzése* 268. oldalon.
- Ha munka közben elbizonytalanodik a munka folytatását illetően, kérje szakember tanácsát. Forduljon kereskedőhöz vagy szakszervizhez. Ne használja a gépet olyan feladatok elvégzésére, amelyekhez úgy véli, nem rendelkezik elegendő szakértelemmel.
- Más személyek vagy vagyontárgyaik veszélyeztetéséért, illetve a sérelmükre bekövetkezett balesetekért a készülék kezelője felel.
- Soha ne engedje meg senkinek a termék használatát, amíg nem győződött meg arról, hogy az illető elolvasta és megértette a használati utasítás tartalmát.
- Soha ne engedje, hogy gyermekek használják a terméket, vagy a gép közelében tartózkodjanak. Mivel a termék rugós leállítókapcsolóval van felszerelve, és enyhe mozgással vagy az indítókarrá kifejtett kis erővel is beindítható, bizonyos körülmények között kisgyermek is elegendő erőt tudnak kifejteni a termék elindításához. Ez súlyos személyi sérüléshez vezethet. Ezért a gyertyapipát mindig húzza le a gyújtógyertyáról, ha nem tudja folyamatosan felügyelni a terméket.
- A termék gyermekektől elzárva tartandó.
- Soha ne használja a terméket, ha fáradt, ha szeszesitalt fogyasztott, vagy ha olyan gyógyszert szed, amely befolyásolhatja a látását, az ítéliképességét vagy a koordinációs képességét.
- Soha ne használjon olyan terméket, amely hibás. Végezze el a jelen használati utasításban előírt ellenőrzési, karbantartási és szervizműveleteket. Bizonyos karbantartási és szervizmunkákat képzett szakembernek kell végrehajtania. Lásd a Karbantartás című fejezetben szereplő utasításokat.
- Soha ne használjon olyan terméket, amelynek eredeti konstrukcióján bármilyen módon is változtattak.

Biztonsági utasítások az üzemeltetéshez



FIGYELMEZTETÉS: A termék használata előtt olvassa el az alábbi figyelmeztetéseket.

- Ne használja a terméket szélsőséges időjárási körülmények között, például nagy hidegben illetve nagy melegben és/vagy párás éghajlaton.
- A hibás kés használata növeli a balesetveszélyt.
- Ügyeljen arra, hogy a munka közben se ember, se állat ne jöjjön 15 m-nél közelebb Önhöz.
- Vizsgálja meg környezetét, és győződjön meg róla, hogy sem ember, sem állat nem kerülhet kapcsolatba a termékkel.
- Ellenőrizze a munkaterületet. Távolítsa el minden olyan tárgyat, amelyet a termék kivethet.
- Mindig gondoskodjon róla, hogy biztonságos és stabil munkahelyzetben dolgozzon.
- Amikor a motor működésben van, ne hagyja a gépet felügyelet nélkül.
- Ügyeljen rá, hogy keze és lába ne érhesse az egységhez, amikor a motor jár.
- Ha munka közben valami beszorul a kések közé, állítsa le a motort, és várja meg, amíg teljesen leáll. Csak ezután tisztítsa meg a késeket. Válassza le a gyertyapipát a gyújtógyertyáról.
- A motor leállítása után se a kezével, se a lábával ne érjen a vágóegységhez, amíg az teljesen le nem áll.
- Ügyeljen az ágakon lévő gallyakra, melyek vágás közben elrepülhetnek.
- Amikor fülvédőt visel, mindig figyeljen a figyelmeztető jelzésekre és hangokra. A motor leállítása után azonnal vegye le a fülvédőket.
- Csak akkor dolgozzon létrán, széken vagy más emelvényen, ha azt teljes mértékben rögzítette.
- Mindig két kézzel fogja a terméket. A terméket a teste előtt tartsa.
- Ha a termék bármilyen idegen tárgynak ütközik vagy rezegni kezd, azonnal állítsa le. Válassza le a gyertyapipát a gyújtógyertyáról. Ellenőrizze, hogy a termék nem sérült-e meg. Javítsa ki minden sérülést.
- Az áramütés veszélyének elkerülése érdekében győződjön meg arról, hogy a gyújtógyertya-pipa és a gyújtáskábel nem sérült.
- Ellenőrizze, hogy az anyák és csavarok szorosan meg vannak-e húzva.
- Ügyeljen arra, hogy a sebességváltó kenése megfelelő legyen. Lásd: *A sebváltóház kenése* 275. oldalon.
- A sebességváltó a termék használata közben felforrósodik. Ne érjen a sebességváltóhoz, különben megégetheti magát.
- A gép beindítása előtt az összes burkolatot és védőlemezt fel kell szerelni.

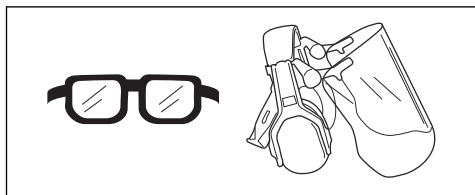
- Ha a pengék elakadnak, kiszabadításukhoz a kombinált kulccsal be kell nyúlni a sebességváltóba. Nyúljon be a kombinált kulccsal a fogaskerekek közé, és forgassa előre-hátra. Lásd: *A sebváltóház kenése* 275. oldalon.
- Mindig szerelje fel a vágóegység szállítási biztosítószerkezetét, ha nem használja a terméket.

Személyi védőfelszerelés

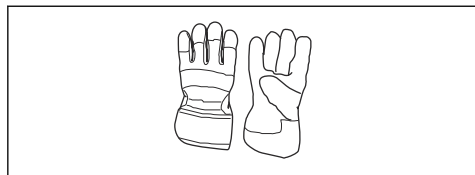


FIGYELMEZTETÉS: A termék használata előtt olvassa el az alábbi figyelmeztetéseket.

- A termék használata során viseljen jóváhagyott személyi védőfelszerelést. A személyi védőfelszerelés nem küszöböli ki teljes mértékben a sérülés kockázatát, de csökkenti a sérülés mértékét, ha bekövetkezik a baleset. A megfelelő felszerelés kiválasztásában kérje a kereskedő segítségét.
- Használjon elegendő hangtompító hatással rendelkező, jóváhagyott fülvédőt. Hosszú távon a tartós zajártalom maradandó halláskárosodást okozhat.
- Használjon jóváhagyott védőszemüveget. Ha arcvédőt használ, jóváhagyott védőszemüveget is kell viselnie. Jóváhagyott védőszemüvegek azok, amelyek megfelelnek az ANSI Z87.1 (USA) illetve EN 166 (EU-országok) szabványoknak.



- Ha szükséges, viseljen kesztyűt – például a vágószerkezet felhelyezésekor, ellenőrzésekor vagy tisztításakor.



- Viseljen stabil, csúszásgátló talppal ellátott csizmát vagy cipőt.



- Viseljen sűrű szövésű anyagból készült ruházatot. Vastag, hosszú nadrágot és hosszú ujjú felsőrészt viseljen. Ne viseljen bő ruházatot, mert az beakadhat a gallyakba és a bokrok ágaiba. Ne viseljen ékszereket, rövidnadrágot, szandált, illetve ne legyen mezítláb. Igazítsa haját vállmagasság fölé.
- Tartson elsősegélykészletet a közelben.



Biztonsági eszközök a terméken

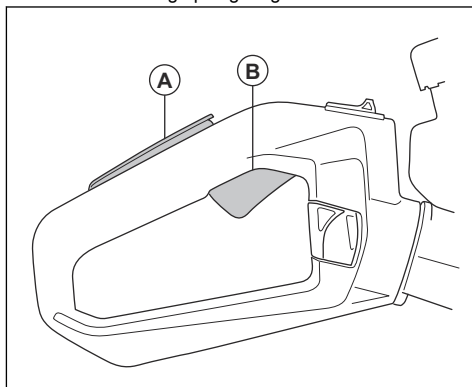


FIGYELMEZTETÉS: A termék használata előtt olvassa el az alábbi figyelmeztetéseket.

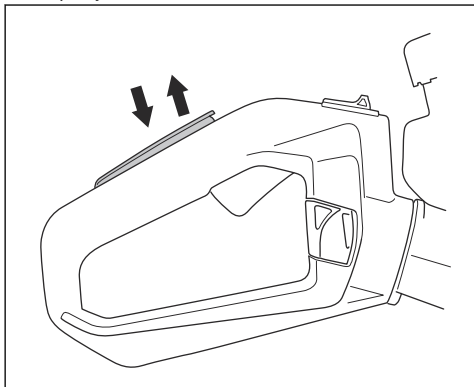
- Ne használjon olyan terméket, amelynek hibásak a biztonsági eszközei.
- Rendszeresen ellenőrizze a biztonsági eszközöket. A biztonsági eszközök meghibásodása esetén vegye fel a kapcsolatot a McCULLOCH szervizműhellyel.

A gázadagoló reteszének ellenőrzése

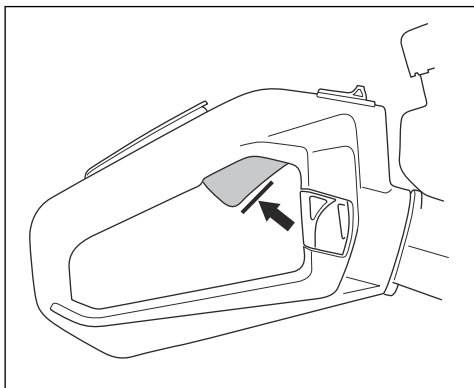
1. Győződjön meg arról, hogy a gázadagoló retesze (A) és a gázadagoló (B) akadálymentesen mozog, a visszatérítő rugó pedig megfelelően működik.



2. Nyomja le a gázadagoló retesztét, és győződjön meg arról, hogy a felengedése után visszatér alaphelyzetbe.



3. Engedje el a gázadagoló retesztét, és ellenőrizze, hogy a gázadagoló alapljárati pozícióban reteszeli-e.



4. Indítsa be a gépet és adjon teljes gázt.
5. Engedje el a gázadagolót, és győződjön meg róla, hogy a kések teljesen megállnak-e.



FIGYELMEZTETÉS: Ha a kések a gázadagoló alapljárati helyzetében is mozognak, állítsa be az alapljárati fordulatszámot. Lásd: *Az alapljárati fordulatszám beállítása 274. oldalon.*

A leállítókapcsoló ellenőrzése

1. Indítsa be a motort.
2. Nyomja a leállítókapcsolót a stop pozícióba, és ellenőrizze, hogy a motor leállt-e.



FIGYELMEZTETÉS: A leállítókapcsoló automatikusan visszaáll

indítási helyzetbe. A véletlen beindítás elkerülése érdekében a termék összeállításakor vagy karbantartásakor távolítsa el a gyertyapipát a gyújtógyertyáról.

A kézvédő ellenőrzése

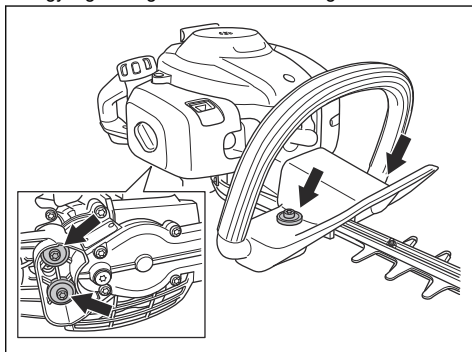
A kézvédő védelmet nyújt a kések okozta sérülésekkel szemben.

1. Állítsa le a motort.
2. Ellenőrizze, hogy a kézvédő megfelelően fel van-e szerelve.
3. Ellenőrizze, hogy nem található-e sérülés a kézvédőn.

A rezgéscsillapító rendszer ellenőrzése

A rezgéscsillapító rendszer csökkenti a fogantyúk rezgését. A rezgéscsillapító egységek elválasztják egymástól a termék főrésztét és a fogantyúegységet.

1. Ellenőrizze, hogy az egységek nem sérültek-e meg vagy deformálódtak-e el.
2. Győződjön meg arról, hogy a rezgéscsillapító egységek megfelelően vannak-e rögzítve.



A hangfogó ellenőrzése



FIGYELMEZTETÉS:

Semmiképpen ne használjon olyan terméket, amelyeken nincs vagy hibás a hangfogó. A hibás kipufogódob megnövelheti a zajszintet és a tűzveszélyt. Ne használja a terméket szikrafogó háló nélkül vagy szakadt szikrafogó hálójával. Ha a szikrafogó háló megsérült, akkor ki kell cserélni.



FIGYELMEZTETÉS:

A használt hangfogó és szikrafogó rákkeltő égéstermék-részecskéket tartalmazhat. Viseljen védőkesztyűt, és jól szellőző környezetben végezze a karbantartást, hogy elkerülje a bőrrel való érintkezést

és a rákkeltő részecskék belélegzését. Ne használjon sűrített levegőt a szikrafogó tisztításához. A szikrafogó tisztításakor használjon drótkéfé, és a dörzsölő mozdulatokat a testével ellentétes irányban végezze.



FIGYELMEZTETÉS: A hangfogó működés közben felforrósodik, alapjáratú fordulatszámom is.



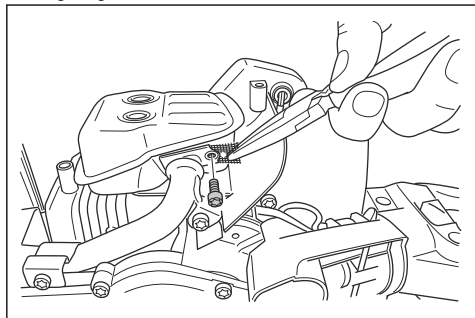
VIGYÁZAT: Ha a szikrafogó háló gyakran eltömődik, ez annak lehet a jele, hogy csökkent a katalizátor teljesítménye. A hangfogó ellenőrzésével kapcsolatban forduljon a szakszervizhez. Egy eltömődött szikrafogó háló a termék túlmelegedéséhez, valamint a henger és a dugattyú sérüléséhez vezet.



FIGYELMEZTETÉS: A hangfogó belső felületei rákkeltő vegyi anyagokat tartalmaznak. Ha a hangfogó meghibásodott, figyeljen, hogy ne érjen ezekhez az elemekhez.

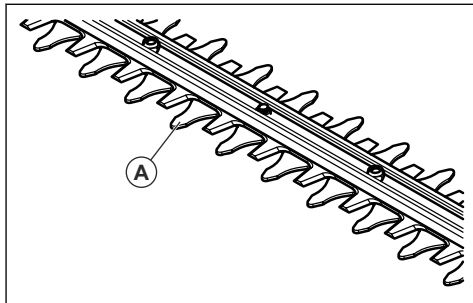
A hangfogó minimálisra csökkenti a zajszintet, és elvezeti a kipufogógázokat a kezelő közeléből. A katalizátorral ellátott hangfogó csökkenti a káros kipufogógázok mennyiségét.

1. Állítsa le a motort.
2. Keressen sérüléseket és deformációt.
3. Ellenőrizze, hogy a hangfogó megfelelően csatlakozik-e a termékhez.
4. Tisztítsa meg a szikrafogó hálót egy drótkéfe segítségével.

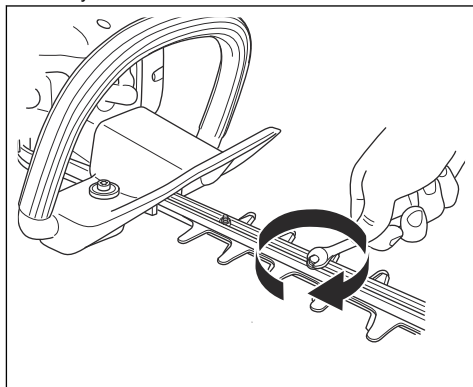


A kés és a pengevédő ellenőrzése

A kés külső részei (A) pengevédőként funkcionál. A pengevédő megakadályozza, hogy a kezelő véletlenül a késhez érjen.



1. Állítsa le a motort, és győződjön meg arról, hogy a vágóegység megállt-e.
2. Távolítsa el a gyertyapipát a gyújtógyertyáról.
3. Vegyen fel védőkesztyűt.
4. Ellenőrizze, hogy a kés és a pengevédő nem sérült-e, vagy nem hajlott-e meg. A sérült vagy meghajlott kést minden esetben ki kell cserélni.
5. Győződjön meg arról, hogy a vágóegység csavarjai rögzítve vannak-e. Húzza meg a csavarokat 7–10 Nm nyomatékkal.



Üzemanyaggal kapcsolatos biztonság



FIGYELMEZTETÉS: A termék használata előtt olvassa el az alábbi figyelmeztetéseket.

- Ne indítsa be a terméket, ha üzemanyag vagy motorolaj került rá. Távolítsa el a nem kívánt üzemanyagot/motorolajat és hagyja megszáradni a terméket.
- Ha a kiömlött üzemanyag a ruhájára csöppent, öltözzön át azonnal.
- Ügyeljen arra, hogy ne kerüljön üzemanyag a testére, mert az sérülést okozhat. Ha üzemanyag került a testére, távolítsa el szappannal és vízzel.

- Ne indítsa be a motort, ha szivárog a motor. Vizsgálja meg rendszeresen a motort szivárgás szempontjából.
- Bánjon óvatosan az üzemanyaggal. Az üzemanyag gyúlékony, a gőzei robbanásveszélyesek, ezért súlyos, akár végzetes sérülést is okozhat.
- Ne lélegezze be az üzemanyag gőzeit, egészségkárosodást okozhatnak. Gondoskodjon megfelelő légáramlásról.
- Az üzemanyag vagy a motor közelében ne dohányozzon.
- Az üzemanyag vagy a motor közelébe ne tegyen forró tárgyakat.
- Ne tankoljon járó motornál.
- Várja meg a tankolással, amíg lehűl a motor.
- Tankolás előtt nyissa meg lassan a tanksapkát, engedje ki óvatosan a nyomást.
- Ne beltérben tankoljon. A nem elegendő mértékű légáramlás fulladás vagy szén-monoxid miatt egészségkárosodást, akár halált is okozhat.
- Húzza meg teljesen az üzemanyagtartály sapkáját. Ha az üzemanyagtartály sapkája nincs meghúzva, tűzveszélyt okozhat.
- Beindítás előtt vegye a terméket legalább 3 m távolságra a tankolás helyétől.
- Ne töltsen teljesen tele az üzemanyagtartályt. Hő hatására az üzemanyag kitérül. Hagyjon egy kis helyet az üzemanyagtartály tetejénél.
- Állítsa le a motort, és győződjön meg arról, hogy a vágószerkezet megállt-e. A karbantartás elvégzése előtt várja meg, amíg a termék lehűl.
- A karbantartás megkezdése előtt vegye le a gyertyapipát.
- A motorból származó kipufogógázok szén-monoxidot tartalmaznak. A szén-monoxid egy szagtalan, mérgező, rendkívül veszélyes gáz, amely halált okozhat. Ne működtesse a járművet beltérben vagy zárt helyen.
- A motor kipufogógázai forróak, a gázokkal együtt akár szikrák is távozhatnak a motorból. Ne működtesse a terméket zárt helyiségben vagy gyúlékony anyagok közelében.
- A gyártó által nem jóváhagyott tartozékok és változtatások súlyos sérülést vagy halált okozhatnak. Ne végezzen módosításokat a terméken. Mindig eredeti tartozékokat használjon.
- Megnövekszik a személyi sérülés és a termék károsodásának kockázata, ha nem végez rendszeresen karbantartást, vagy azt helytelenül végzi.
- Csak a használati utasítás által javasolt karbantartási feladatokat végezze el. Minden egyéb szervizelési munkát hagyjon egy jóváhagyott McCULLOCH szervizműhelyre.
- Végeztesse a termék rendszeres szervizelését hivatalos McCULLOCH szervizműhellyel.
- A sérült, kopott vagy törött alkatrészt cserélje ki.

Biztonsági utasítások a karbantartáshoz



FIGYELMEZTETÉS: A termék használata előtt olvassa el az alábbi figyelmeztetéseket.

Üzemeltetés

Bevezető



FIGYELMEZTETÉS: A termék használata előtt figyelmesen olvassa el a biztonságról szóló fejezetet.

Üzemanyag

A termékben kétütemű motor működik.



VIGYÁZAT: A nem megfelelő üzemanyag használata a motor károsodásához vezethet. Benzín és kétütemű motorolaj keverékét használja üzemanyagként.

Előkevert üzemanyag

- A jó teljesítmény és a motor élettartamának megnövelése érdekében előkevert McCULLOCH alkilüzemanyagot használjon. Ez az üzemanyag típus kevesebb a hagyományos üzemanyagokhoz képest kevesebb vegyszert tartalmaz, így a kipufogó károsanyag-kibocsátása is mérséklődik. Az égés után visszamaradó anyagok mennyisége ezen üzemanyag esetében kevesebb, ami tisztább állapotban tartja a motor alkotóelemeit.

Az üzemanyag keverése

Benzin

- Jó minőségű, legfeljebb 10% etanolt (E10) tartalmazó, ólmozatlan benzint használjon.



VIGYÁZAT: Ne használjon 90 RON/87 AKI értéknel alacsonyabb oktánszámú benzint. Alacsonyabb oktánszám esetén kopogás jelentkezhet a motorban, ami a motor károsodását okozhatja.

Kétütemű motorhoz való olaj

- A legjobb eredmények és teljesítmény érdekében használjon McCULLOCH kétütemű motorolajat.
- Ha nem áll rendelkezésre McCULLOCH kétütemű motorolaj, használjon más jó minőségű, léghűtéses motorokhoz készült kétütemű olajat. A megfelelő olaj kiválasztását illetően forduljon az illetékes szakszervizhez.



VIGYÁZAT: Ne használjon vízhűtéses külső motorokhoz való kétütemű motorolajat (más néven „outboard” olajat). Soha ne használjon négyütemű motorokhoz való olajat.

Benzin és kétütemű olaj összekeverése

Benzin, liter	Kétütemű olaj, liter
	2% (50:1)
5	0,10
10	0,20
15	0,30
20	0,40



VIGYÁZAT: Kisebb mennyiségű üzemanyag kikeverésekor fennáll a veszélye, hogy az apróbb hibák jelentősen befolyásolják a keverési arányt. A helyes keverési arány érdekében gondosan mérje ki a keverékhez adagolandó olaj mennyiségét.

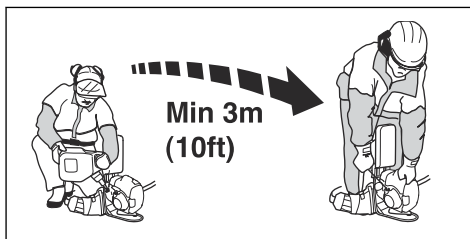
1. Töltse bele a benzin felét egy üzemanyaghoz való, tiszta tartályba.
2. Töltse be a teljes olajmennyiséget.
3. Rázza össze az üzemanyag-keveréket.
4. Öntse bele a benzin megmaradó részét a tartályba.
5. Óvatosan rázza össze az üzemanyag-keveréket.



VIGYÁZAT: Ne keverjen be 1 havi adagnál több üzemanyagot egyszerre.

Az üzemanyagtartály feltöltése

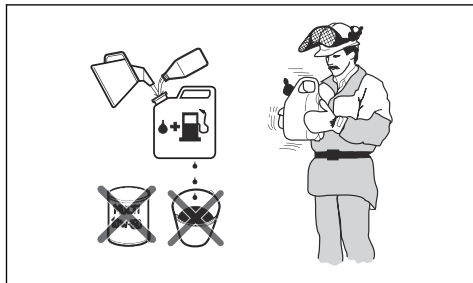
1. Tartsa tisztán az üzemanyagtartály sapkájának környékét.
2. Rázza össze a tartályt, és győződjön meg róla, hogy az üzemanyag megfelelően összekeveredett-e. Használjon túlcordulás-védelemmel ellátott üzemanyagtartályt.
3. Vegye le az üzemanyagtartály sapkáját.
4. Töltse fel az üzemanyagtartályt.
5. Húzza meg óvatosan az üzemanyagtartály sapkáját.
6. Mielőtt beindítaná, vigye el a terméket a tankolás helyétől és forrásától legalább 3 m (10 láb) távolságra.



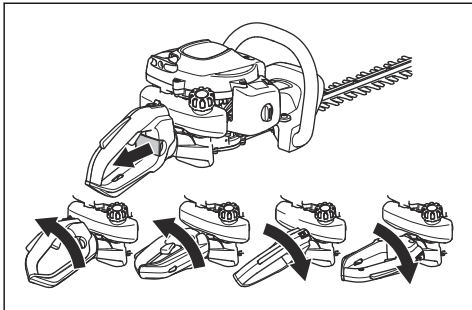
VIGYÁZAT: Az üzemanyagtartályba került szennyeződések üzemzavart okoznak. Rendszeresen tisztítsa ki az üzemanyag- és a láncolajtartályt, és évente legalább egyszer cserélje ki az üzemanyagszűrőt.

A fogantyú beállítása (ERGOLITE 6028)

A hátsó fogantyú magassága 5 különböző fokozatban állítható.

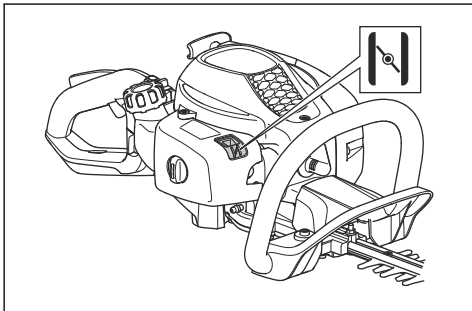


- Oldja ki a fogantyúrekeszt, és fordítsa el a fogantyút.



A termék hideg motorral való elindítása

1. Húzza a szívatókart szívató állásba.



2. Nyomja meg körülbelül 6 alkalommal az üzemanyagpumpát, amíg el nem kezd üzemanyaggal telítődni. Az üzemanyagpumpát nem szükséges teljes mértékben megtölteni.
3. Nyomja a géptestet bal kézzel a talajnak. Ne lépjen rá a termékre.
4. A jobb kezével húzza lassan az indítózsínór fogantyúját addig, amíg ellenállást nem érez, majd húzza meg gyorsan, teljes erővel.



FIGYELMEZTETÉS: Ne tekerje az indítózsínórt a keze köré.



VIGYÁZAT: Ne húzza ki teljesen az indítózsínórt, és ne engedje el a berántókötél fogantyúját.

5. Addig húzza az indítózsínórt, amíg a motor be nem indul, majd nyomja a szívatókart az eredeti pozíciójába.



FIGYELMEZTETÉS: A motor beindulásakor a kések mozogni kezdenek.

6. Addig húzza az indítózsínór fogantyúját, amíg a motor be nem indul.

7. A gázadagoló megnyomásával majd elengedésével állítsa a motort alapjáratú fordulatszámra.
8. A gázadagolót fokozatosan lenyomva növelje a motorfordulatszámot.
9. Ellenőrizze, hogy a motor egyenletesen jár-e.

A termék meleg motorral való elindítása

1. Nyomja a géptestet bal kézzel a talajnak. Ne lépjen rá a termékre.
2. A jobb kezével húzza lassan az indítózsínór fogantyúját addig, amíg ellenállást nem érez, majd húzza meg gyorsan, teljes erővel. Addig folytassa, amíg a motor be nem indul.

Megjegyzés: A termék beindításával kapcsolat további információkért lásd: *A termék hideg motorral való elindítása* 272. oldalán.

A termék leállítása

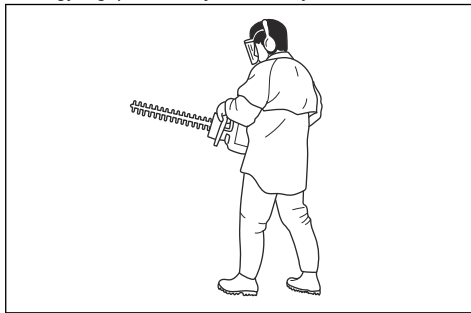
- A motor leállításához állítsa a leállítókapcsolót a stop pozícióba.



VIGYÁZAT: A leállítókapcsoló automatikusan visszaáll üzemeségi helyzetbe.

A termék működtetése

1. Az oldalak vágását kezdje a talajról, majd mozgassa felfelé a terméket a sövény mentén. Ügyeljen rá, hogy a géptest ne érjen a sövényhez.



FIGYELMEZTETÉS: Ügyeljen rá, hogy a vágófelszerelés elülső része ne érjen a talajhoz.

2. A fordulatszámot a munkaterhelésnek megfelelően állítsa be.
3. Tartsa a terméket a testéhez közel, így stabil testtartást vehet fel.
4. Legyen körültekintő, és lassan működtesse a terméket.

Karbantartás

Bevezető



FIGYELMEZTETÉS: A termék karbantartása előtt olvassa el és értelmezze a biztonsággal foglalkozó fejezetet.

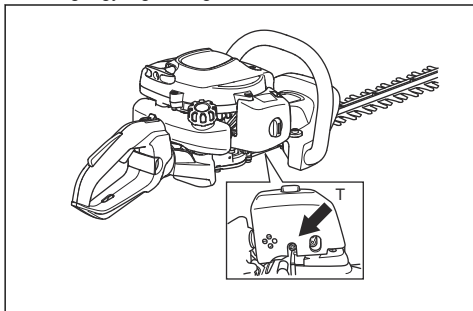
Karbantartási terv

Karbantartás	Működte- tés előtt	40 üze- móra után	100 üze- móra után
Tisztítsa meg a külső felületeket.			Minden használat után.
Tisztítsa meg a hangfogót, a kipufogócsövet és a motort a levelektől, szennyeződésektől és a felesleges kenőanyagtól.			Minden használat után.
Győződjön meg arról, hogy a vágóegység alapjáratí fordulatszámom nem mozog.	X		
Ellenőrizze a leállítókapcsolót. Lásd: <i>A leállítókapcsoló ellenőrzése 268. oldalon.</i>	X		
Ellenőrizze, hogy nem található-e sérülés vagy repedés a vágóegységen. Ha sérült, cserélje ki.	X		
Keressen sérülést és repedést a kézvédőn. Ha sérült, cserélje ki.	X		
Ellenőrizze a gázadagoló reteszét és a gázadagolót. Lásd: <i>A gázadagoló reteszének ellenőrzése 267. oldalon.</i>	X		
Ellenőrizze, nincs-e szivárgás a motornál, az üzemyanyagtartálynál és az üzemyanyag-vezetékeknél.	X		
Húzza meg a csavarokat és az anyákat.	X		
Tisztítsa meg, vagy cserélje ki a hangtompító szikrafogó hálóját. Lásd: <i>A hangfogó ellenőrzése 268. oldalon.</i>		X	
Keressen sérülést az indítón és az indítószinóron.		X	
Ellenőrizze, hogy a késeket összetartó csavarok megfelelően vannak-e meghúzva.		X	
Tisztítsa meg a légszűrőt. Poros környezetben való használat esetén gyakrabban tisztítsa. Ha sérült, cserélje ki.		X	
Keressen sérülést és repedést a rezgéscsillapító egységeken. Ha sérült, cserélje ki.		X	
Tisztítsa meg a gyújtógyertya külső felületét és környezetét. Vegye le a gyújtógyertyát, és mérje meg a szikraközt. Állítsa be a szikraközt, vagy cserélje ki a gyújtógyertyát. Lásd: <i>A gyújtógyertya ellenőrzése. 274. oldalon.</i>		X	
Tisztítsa ki a hűtőrendszert.		X	
Tisztítsa meg a porlasztó külsejét és környezetét.		X	
Ellenőrizze, hogy az üzemyagyszűrő nincs-e elszennyeződve, és hogy az üzemyag-vezetéken nincsenek-e repedések vagy egyéb sérülések. Ha sérült, cserélje ki.			X
Tisztítsa meg a hangfogón lévő szikrafogó hálót, és ha sérült, cserélje ki.			X

Karbantartás	Működte- tés előtt	40 üze- móra után	100 üze- móra után
Tisztítsa meg az üzemanyagtartály belső felületét.			X
Cserélje a gyújtógyertyát.			X
Ellenőrizze, hogy nem kopott-e a tengelykapcsoló, a tengelykapcsoló-rugó és a tengelykapcsoló-dob. Ha sérült, cseréltesse ki egy hivatalos szakszervizzel.			X
Ellenőrizze, hogy a sebváltóház fel van-e töltve zsírral.			X
Ellenőrizze az összes kábelt és csatlakozót.			X

Az alapjárat fordulatszám beállítása

1. Tisztítsa meg a levegősűrőt és szerelje fel a levegősűrő fedelét.
2. Indítsa be a terméket. Lásd: *A termék hideg motorral való elindítása 272. oldalon.*
3. Csavarja a T jelzésű alapjárat-beállító csavart az óramutató járásával megegyező irányba, amíg a vágóegység mozogni nem kezd.

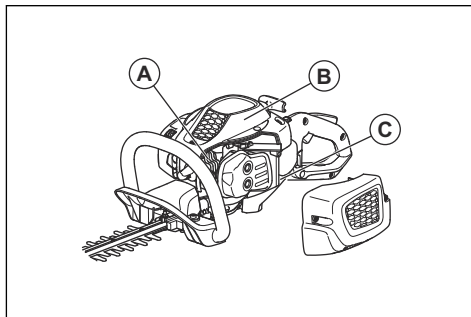


4. Csavarja az alapjárat-beállító csavart az óramutató járásával ellenkező irányba, amíg a vágóegység le nem áll.



FIGYELMEZTETÉS: Ha az alapjárat fordulatszám beállításakor a vágóegység tovább működik, forduljon a legközelebbi szakszervizhez. Ne használja a terméket addig, amíg az nincs megfelelően beállítva vagy megjavítva.

(B) és a forgattyúházon keresztül vezető levegőbeömlő nyílást (C).



VIGYÁZAT: A levelek könnyedén eltömíthetik az üzemanyagtartály és a forgattyúház között lévő levegőbeömlő nyílást. Tisztítsa meg teljesen a levegőbeömlő nyílást.

1. Tisztítsa meg kefével a hűtőrendszert hetente egyszer, illetve szükség esetén ennél gyakrabban.
2. Ellenőrizze, hogy nem szennyeződött-e a hűtőrendszer, illetve nincs-e eltömödvé.

A gyújtógyertya ellenőrzése.



VIGYÁZAT: Használja mindig az előírt típusú gyújtógyertyát. A nem megfelelő gyújtógyertya károsíthatja a terméket.

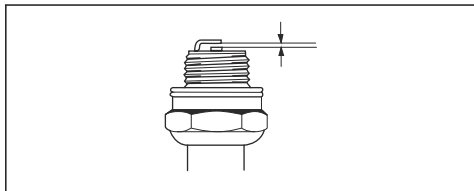
- Vizsgálja meg a gyújtógyertyát, ha gyenge a motor, nehezen indul, vagy egyenetlen az alapjárata.
- A gyújtógyertya elektródái közötti lerakódások kialakulásának csökkentése érdekében tartsa be az alábbi utasításokat:
 - a) gondoskodjon az alapjárat fordulatszám megfelelő beállításáról;
 - b) gondoskodjon a megfelelő üzemanyag-keverékről;
 - c) gondoskodjon a levegősűrő tisztaságáról.

Megjegyzés: Az alapjárat fordulatszám akkor van helyesen beállítva, ha a motor minden helyzetben egyenletesen jár. Az ajánlott alapjárat fordulatszámmal kapcsolatban lásd: *Műszaki adatok 278. oldalon.*

A hűtőrendszer kitisztítása

A hűtőrendszer alacsonyan tartja a motor hőmérsékletét. A hűtőrendszer magában foglalja a hengeren lévő hűtőbordákat (A), a hengerfedele

- Ha a gyújtógyertya piszkos, tisztítsa meg, és ellenőrizze, hogy a szikraköz megfelelő-e, lásd: *Műszaki adatok278. oldalon.*

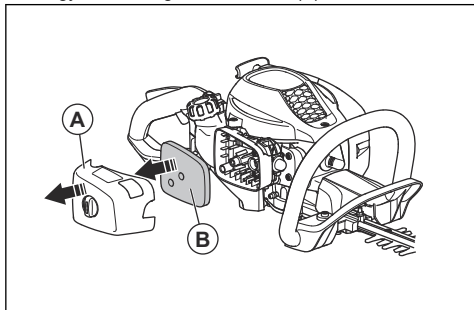


- Szükség esetén cserélje ki a gyújtógyertyát.

A levegőszűrő megtisztítása

Rendszeresen tisztítsa meg a levegőszűrőt a szennyeződéstől és a portól. Ezzel megelőzheti a karburátor működési hibáit, az indítási problémákat, a motorteljesítmény csökkenését, a motor alkatrészeinek kopását és a szokásosnál nagyobb üzemanyag-fogyasztást.

1. Vegye le a levegőszűrő fedelét (A).



2. Vegye le a levegőszűrőt (B) a szűrőkeretről.
3. Meleg szappanos víz segítségével tisztítsa meg a levegőszűrőt.



VIGYÁZAT: A hosszú ideje használt légszűrőt nem lehet teljesen kitisztítani. Rendszeresen cserélje ki a levegőszűrőt, és minden esetben cserélje ki a meghibásodott levegőszűrőt.

4. Ellenőrizze, hogy a levegőszűrő teljesen száraz-e.
5. Vigyen fel olajat a levegőszűrőre. Lásd: *Olaj felvittele a habzivacs levegőszűrőre275. oldalon.*
6. Tisztítsa meg a levegőszűrő fedelének belső felületét. Ezt sűrített levegő vagy egy kefe segítségével végezheti el.

Olaj felvittele a habzivacs levegőszűrőre

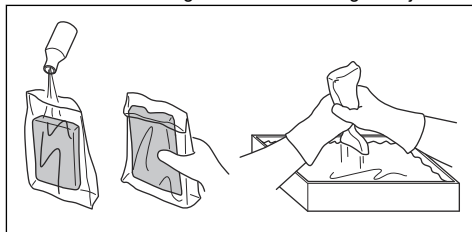


VIGYÁZAT: Mindig speciális McCULLOCH légszűrőolajat használjon. Ne használjon másféle olajat.



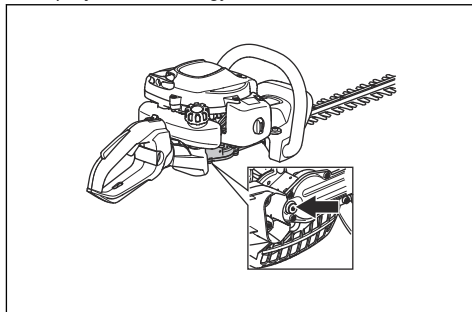
FIGYELMEZTETÉS: Vegyen fel védőkesztyűt. A légszűrőolaj bőrirritációt okozhat.

1. Tegye be a habzivacs levegőszűrőt egy műanyag tasakba.
2. Tegyen olajat a műanyag tasakba.
3. Dörzsölje át a műanyag tasakot, hogy az olaj egyenletesen átítassa a habzivacs levegőszűrőt.
4. Még a műanyag tasakban nyomkodja ki a habzivacs levegőszűrőből a felesleges olajat.



A sebváltóház kenése

- Használjon speciális McCULLOCH zsírt. Az ajánlott zsírral kapcsolatos további információkért forduljon az illetékes szakszervizhez.
- A zsírt a sebváltóházon lévő kenőanyagtöltő nyílás kupakján keresztül vigye fel.



VIGYÁZAT: Ne töltse fel teljesen a sebváltóházat.

A kések tisztítása és kenése

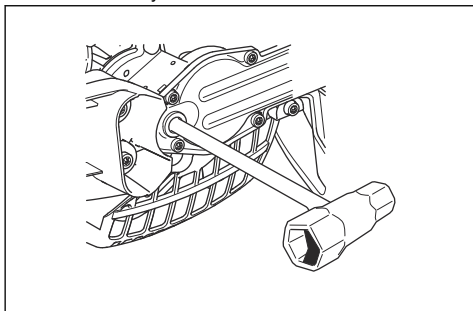
1. A termék használata előtt és után tisztítsa meg a késeket a nemkívánatos anyagoktól.

2. Hosszú időtartamú tárolás előtt kenje be a késeket kenőanyaggal.

Megjegyzés: Az ajánlott tisztítószerrel és kenőanyagokkal kapcsolatos további információkért forduljon az illetékes szakszervizhez.

A kések ellenőrzése

1. Távolítsa el a sebváltóházon lévő kenőanyagöltő nyílás kupakját.
2. Ellenőrizze, hogy a pengék szabadon forognak-e. Helyezze a kombinált kulcsot a sebváltóházba, majd fordítsa el az óramutató járásával egyező és ellentétes irányba.



Hibaelhárítás

Hibaelhárítás

A motor nem indul		
Probléma	Lehetséges ok	Ajánlott lépés
Indítófogak	Az indítófogak nem tudnak szabadon mozogni.	Állítsa be vagy cserélje ki az indítófogakat.
		Tisztítsa meg az indítófogak környékét.
		Beszélgjen egy hivatalos szakszervizzel.
Üzemanyagtartály	Nem megfelelő üzemanyag.	Engedje le, majd használjon megfelelő üzemanyagot.
Porlasztó	Nem megfelelő alapljárati fordulatszám.	Állítsa be az alapljárati fordulatszámot.
Nincs szikra	A gyújtógyertya koszos vagy nedves.	Bizonyosodjon meg róla, hogy a gyújtógyertya száraz és tiszta.
	Nem megfelelő szikraköz.	Tisztítsa meg a gyújtógyertyát. Ellenőrizze, hogy megfelelő-e a szikraköz. Ellenőrizze, hogy a gyújtógyertyának van-e zavarzsűrűje.
		A helyes szikraközt illetően tekintse át a következőt: <i>Műszaki adatok 278. oldalon.</i>

A motor nem indul		
Probléma	Lehetséges ok	Ajánlott lépés
Gyújtógyertya	A gyújtógyertya kilazult.	Húzza meg a gyújtógyertyát.

A motor elindul, de leáll		
Probléma	Lehetséges ok	Ajánlott lépés
Üzemanyagtartály	Nem megfelelő üzemanyag.	Engedje le, majd használjon megfelelő üzemanyagot.
Porlasztó	Nem megfelelő alapjárat fordulatszám.	Állítsa be az alapjárat fordulatszámot. Lásd: <i>Az alapjárat fordulatszám beállítása</i> 274. oldalon. Szükség esetén forduljon az illetékes szakszervizhez.
Légszűrő	Eltömődött a légszűrő.	Légszűrő tisztítása.

Kés		
Probléma	Lehetséges okok	Ajánlott lépés
A kés lassan vagy egyáltalán nem forog.	A kés sérült vagy valami akadályozza.	Tisztítsa meg a késeket a nemkívánatos anyagoktól. Lásd: <i>A kések tisztítása és kenése</i> 275. oldalon. Távolítsa el a késen lévő sorjakat, lásd: <i>A kések ellenőrzése</i> 276. oldalon. Ha sérülést talál, cserélje ki a kést.
A kés nehézkesen vág.	A kés sérült vagy nem elég éles.	Élezze meg a kést, lásd: <i>A kések ellenőrzése</i> 276. oldalon. Ha sérülést talál, cserélje ki a kést.
A kés felforrósodik.	A kések között súrlódás jött létre.	Távolítsa el a késen lévő sorjakat, majd kenje meg a kést. Lásd: <i>A kések ellenőrzése</i> 276. oldalon.

Szállítás, tárolás és ártalmatlanítás

Szállítás és raktározás

- Tárolás előtt mindig várja meg, amíg a termék lehűl.
- A termék és az üzemanyag tárolásához és szállításához győződjön meg róla, hogy nincsenek szivárgások vagy gőzök. Szikra vagy nyílt láng, például elektromos készülékektől vagy kazánoktól, tüzet okozhat.
- Mindig engedélyezett tartályokat használjon az üzemanyag tárolására és szállítására.
- Szállítás vagy hosszú távú tárolás előtt ürítse ki az üzemanyagot a termékből. A felesleges üzemanyagot adja le egy erre kijelölt gyűjtőpontra.
- Szállításhoz és tároláshoz helyezze fel a szállítási biztosítószerkezetet.
- Távolítsa el a gyertyapipát a gyújtógyertyáról.

- Szállításkor rögzítse a terméket. Győződjön meg arról, hogy nem tud elmozdulni.
- Hosszú távú tárolás előtt tisztítsa meg a terméket és végezzen rajta karbantartást.

Hulladékkezelés

- Kövesse a helyi előírásokat és a vonatkozó szabályozásokat.
- A használt vagy felesleges vegyi anyagokat, például a motorolajat vagy az üzemanyagot, adja le egy szervizközpontban vagy egy erre kijelölt gyűjtőpontra.
- A termék leselejtezésekor adja azt le egy jóváhagyott hulladékgyűjtő helyen, vagy küldje el a McCULLOCH részére ártalmatlanítás céljából.

Műszaki adatok

Műszaki adatok

Műszaki adatok	SUPERLITE 4528	ERGOLITE 6028
Motor		
Hengerűrtartalom, cm ³	21,7	21,7
Üresjáratú fordulatszám, ford./perc	2800	2800
Javasolt maximális fordulatszámot, ford./perc	9000	9000
Legnagyobb motorteljesítmény az ISO 8893 szerint, kW/rpm	0,6/7800	0,6/7800
Katalizátoros hangtompító	Igen	Igen
Gyújtásrendszer		
Gyújtógyertya	HQT-4 672201	HQT-4 672201
Elektródahézag, mm	0,5	0,5
Üzemanyag		
Üzemanyagtartály űrtartalma, l	0,3	0,3
Tömeg		
Tömeg, kg	4,8	5,0
Zajkibocsátás ⁴⁹		
Hangteljesítményszint, mért dB (A) érték	100	100
Hangteljesítményszint, garantált, L _{WA} dB (A)	101	101
Zajszintek ⁵⁰		
A kezelő hallószervére gyakorolt, EN ISO 10517 szerint mért hangnyomásszint, dB(A)	93	93
Rezgésszintek ⁵¹		
Az EN ISO 10517 szerint mért ekvivalens rezgésszintek (a _{h_v,eq}) a fogantyúknál, m/s ² :		
Első/hátsó fogantyú, m/s ²	3,5/4,4	4,1/5,2
Kések		
Típus	Kétoldalas	Kétoldalas

⁴⁹ A környezetben a 2000/14/EK sz. EK irányelvvel összhangban hangteljesítményként mért zajkibocsátás (L_{WA}). A termék jelentésben szereplő hangteljesítményszintjét a legmagasabb szintet produkáló eredeti vágó-felszereléssel mérték. A garantált és a mért hangteljesítmény közötti különbségnek az az oka, hogy a garantált hangteljesítmény tartalmazza a mérési eredményben lévő ingadozást és az azonos modellű termékek közti eltéréseket is a 2000/14/EK jelű irányelv értelmében.

⁵⁰ A zajnyomásszintre vonatkozó jelentési adatok az 1 dB (A) tipikus statisztikus ingadozásával (szórásával) rendelkeznek.

⁵¹ A rezgésszintre vonatkozó jelentési adatok az 1 m/s² tipikus statisztikus ingadozásával (szórásával) rendelkeznek.

Műszaki adatok	SUPERLITE 4528	ERGOLITE 6028
Vágáshossz, mm	450	590
Vágási sebesség, vágás/perc	4050	4050

EK megfelelési nyilatkozat

EU megfelelési nyilatkozat

A **Husqvarna AB**, SE-561 82 Huskvarna, Sweden (tel.: +46-36-146500), a saját felelősségére kijelenti, hogy a termék:

Leírás	Sövénynyíró
Márka	McCULLOCH
Típus/modell	SUPERLITE 4528, ERGOLITE 6028
Megjelölés	2022-as és újabb sorozatszámok

teljes mértékben megfelelnek a következő EU-irányelveknek és szabályozásoknak:

Szabályozás	Leírás
2006/42/EK	„gépre vonatkozó”
2014/30/EU	„elektromágneses megfeleléségre vonatkozó”
2000/14/EK	„környezeti zajkibocsátásra vonatkozó, (V. melléklet)”
2011/65/EU	„az egyes veszélyes anyagok elektromos és elektronikus berendezésekben való alkalmazásának korlátozására vonatkozó”

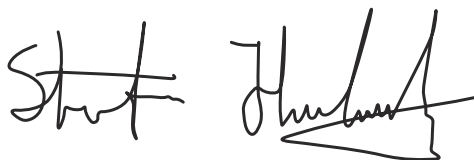
valamint hogy az alábbi szabványok és/vagy műszaki előírások kerültek alkalmazásra: EN ISO 12100:2010, EN ISO 10517:2019, EN IEC 63000:2018, EN ISO 14982:2009.

Bejelentett tanúsítási szervezet: A RISE SMP Svensk Maskinprovning AB, Box 7035, SE-750 07 Uppsala, Sweden önkéntes típusvizsgálatot végzett a Husqvarna AB nevében.

Tanúsítvány száma: SEC/11/2327

A zajkibocsátásra vonatkozó tájékoztatást illetően tekintse át a következőt: *Műszaki adatok278. oldalon.*

Huskvarna, 2022-02-15



Stefan Holmberg, a globális kézi termékek részleg igazgatója, a HH globális szolgáltatások laboratóriumvezetője, Husqvarna AB

A műszaki dokumentációk felelőse

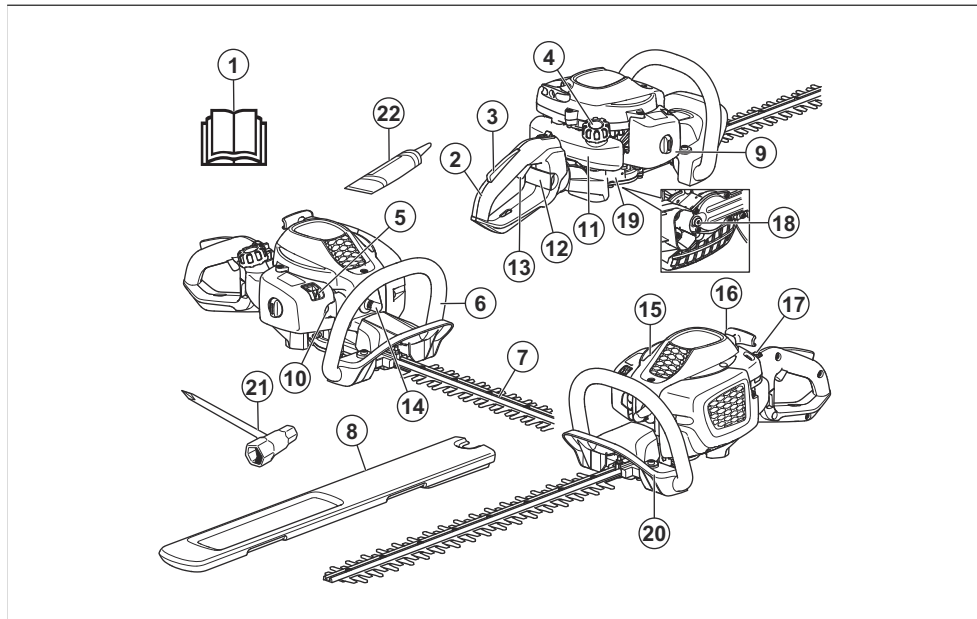


SPIS TREŚCI

Wstęp.....	281	Rozwiązywanie problemów.....	294
Bezpieczeństwo.....	282	Transport, przechowywanie i utylizacja.....	295
Przeznaczenie.....	288	Dane techniczne.....	295
Przegląd.....	290	Deklaracja zgodności WE.....	297

Wstęp

Przegląd produktu



1. Instrukcja obsługi
2. Uchwyt tylny
3. Blokada manetki gazu
4. Zakrętka zbiornika paliwa
5. Dźwignia ssania
6. Uchwyt przedni
7. Ostrze i osłona ostrza
8. Osłona transportowa
9. Pokrywa filtra powietrza
10. Gruszka pompki paliwa
11. Zbiornik paliwa
12. Blokada uchwytu (ErgoLite)
13. Manetka gazu
14. Nasadka świecy i świece zapłonowa
15. Pokrywa cylindra
16. Rączka linki rozrusznika
17. Przycisk stop
18. Korek wlewu środka smarującego
19. Osłona przekładni
20. Osłona ręki
21. Klucz dwustronny
22. Tubka ze smarem

Opis produktu

Ten produkt to nożyce do żywopłotu z silnikiem spalinowym.

Przeznaczenie

Produkt jest przeznaczony do obcinania gałęzi. Nie używać produktu do innych zadań.

Symbole znajdujące się na produkcie



OSTRZEŻENIE! Produkt może spowodować poważne obrażenia ciała lub śmierć operatora lub innych osób. Zachować ostrożność i prawidłowo korzystać z produktu.



Przed przystąpieniem do pracy należy dokładnie i ze zrozumieniem zapoznać się z treścią niniejszej instrukcji obsługi.



Należy używać zatwierdzonych ochronników słuchu oraz zatwierdzonych okularów ochronnych.



Stosować rękawice ochronne.



Należy używać mocnego, przeciwpoślizgowego obuwia ochronnego.



Gruszka pompki paliwa.



Ssanie.



Blokada do regulacji uchwyty.



Paliwo.



Emisje hałasu do środowiska zgodnie z dyrektywą europejską 2000/14/EC i przepisami Nowej Południowej Walii „Protection of the Environment Operations (Noise Control) Regulation 2017.” Dane dotyczące emisji hałasu można znaleźć na etykiecie maszyny oraz w rozdziale „Dane techniczne”.



Produkt jest zgodny z odpowiednimi dyrektywami Komisji Europejskiej.

yyyywwxxxx

Numer seryjny znajduje się na tabliczce znamionowej. **yyyy** oznacza rok produkcji, a **ww** tydzień produkcji.

Uwaga: Pozostałe symbole/naklejki samoprzylepne umieszczone na produkcie dotyczą wymogów związanych z certyfikatami w niektórych krajach.

Emisje Euro V



OSTRZEŻENIE: Ingerencja w silnik powoduje unieważnienie europejskiego zatwierdzenia typu produktu.

Bezpieczeństwo

Definicje dotyczące bezpieczeństwa

Ostrzeżenia, uwagi i informacje są używane do zwrócenia uwagi na szczególnie ważne sekcje instrukcji obsługi.



OSTRZEŻENIE: Jest używane, gdy istnieje ryzyko poważnych obrażeń, śmierci operatora lub uszkodzenia otoczenia w wyniku nieprzestrzegania instrukcji obsługi.



UWAGA: Jest używane, gdy istnieje ryzyko uszkodzenia materiałów lub urządzenia w wyniku nieprzestrzegania instrukcji obsługi.

Uwaga: Stosuje się, aby przekazać więcej informacji, które są przydatne w danej sytuacji.

Ogólne zasady bezpieczeństwa



OSTRZEŻENIE: Przed rozpoczęciem użytkowania produktu przeczytać następujące ostrzeżenia.

- W razie nieprawidłowego lub nieostrożnego posługiwania się urządzeniem może ono okazać się niebezpiecznym narzędziem, które może spowodować poważne, a nawet śmiertelne obrażenia. Przeczytanie i zrozumienie treści tej instrukcji obsługi jest niezmiernie ważne.
- Niniejsze urządzenie podczas pracy wytwarza pole elektromagnetyczne. W pewnych okolicznościach pole to może zakłócać pracę aktywnych lub pasywnych implantów medycznych. Przed przystąpieniem do pracy z urządzeniem, w celu ograniczenia ryzyka poważnych lub śmiertelnych obrażeń, osoby posiadające implanty medyczne powinny skonsultować się z lekarzem oraz ich producentem.

- Narażenie operatora na nadmierne działanie wibracji może powodować uszkodzenia układu krążenia i układu nerwowego, szczególnie u ludzi z wadami krążenia. Należy zwrócić się do lekarza w przypadku rozpoznania u siebie objawów dolegliwości somatycznych, których przyczyną może być narażenie na nadmierne drgania. Przykładem takich objawów jest drętwienie, brak czucia, mrowienie, kłucie, ból, utrata sił, zmiany koloru lub wyglądu skóry. Objawy te zazwyczaj są odczuwalne w palcach, dłoniach i nadgarstkach. Ryzyko wzrasta przy niskich temperaturach.
- Używany tłumik i iskrochron mogą zawierać rakotwórcze cząstki powstałe przy spalaniu. Należy unikać kontaktu z tymi związkami podczas wykonywania czynności przy tłumiku lub iskrochronie. Przed przystąpieniem do pracy z tłumikiem lub iskrochronem należy zapoznać się z instrukcjami w sekcji *Sprawdzanie tłumika na stronie 286*.
- Jeżeli użytkownik znajdzie się w sytuacji, w której nie jest pewny prawidłowości dalszego sposobu postępowania, powinien zasięgnąć porady eksperta. Należy zwrócić się do dealera lub warsztatu serwisowego. Użytkownik nie powinien podejmować się pracy, gdy uważa, że nie ma wystarczających kwalifikacji.
- Należy pamiętać, że operator ponosi odpowiedzialność za wypadki i zagrożenie dla osób postronnych oraz mienia.
- Urządzenie mogą obsługiwać wyłącznie osoby, które wcześniej dokładnie zapoznały się z niniejszą instrukcją obsługi.
- Nigdy nie należy pozwalać dzieciom na użytkowanie urządzenia lub przebywanie w jego pobliżu. Ponieważ urządzenie wyposażone jest w sprzężający wyłącznik i może zostać uruchomione nawet przez powolne i słabe oddziaływanie na uchwyt rozrusznika, nawet małe dzieci w pewnych okolicznościach mogą być w stanie uruchomić urządzenie. Oznacza to ryzyko poważnych obrażeń. Dlatego należy zdejmować fajkę świecy zapłonowej, gdy urządzenie nie znajduje się pod nadzorem.
- Przechowywać produkt w miejscu niedostępnym dla dzieci.
- Nie wolno korzystać z urządzenia w stanie przemęczenia, po spożyciu alkoholu lub po przyjęciu leków osłabiających wzrok, zdolność oceny i koordynację.
- Nie wolno pracować uszkodzonym urządzeniem. Stosować się do zaleceń dotyczących konserwacji, kontroli i obsługi technicznej podanych w niniejszej instrukcji. Niektóre czynności konserwacyjne i obsługowe muszą być wykonane przez przeszkolonego i wykwalifikowanego specjalistę. Dalsze wskazówki można znaleźć w sekcji Konserwacja.
- Nie wolno używać urządzenia, które zostało w jakikolwiek sposób zmodyfikowane.

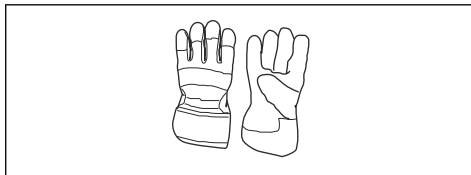
Instrukcje bezpieczeństwa dotyczące obsługi



OSTRZEŻENIE: Przed rozpoczęciem użytkowania produktu przeczytać następujące ostrzeżenia.

- Nigdy nie używać produktu w ekstremalnych warunkach pogodowych i klimatycznych, np. przy bardzo dużym mrozie lub w bardzo gorącym lub/ oraz wilgotnym klimacie.
- Uszkodzone lub nieodpowiednie noże zwiększają ryzyko wypadków przy pracy.
- Należy dopilnować, aby podczas pracy żadne osoby postronne ani zwierzęta nie znajdowały się w odległości mniejszej niż 15 m / 50 stóp.
- Należy obserwować, co dzieje się w otoczeniu i upewnić się, czy nie zachodzi ryzyko, że ludzie lub zwierzęta mogą zetknąć się z osprzętem tnącym.
- Dokonać inspekcji obszaru pracy. Usunąć przedmioty, które mogłyby zostać odrzucone spod maszyny podczas pracy.
- Zawsze należy dbać o to, aby mieć bezpieczną i pewną pozycję przy pracy.
- Nigdy nie należy pozostawiać urządzenia bez nadzoru, gdy uruchomiony jest silnik.
- Należy uważać, aby podczas pracy silnika nie dotknąć zespołu tnącego ręką lub nogą.
- Jeżeli podczas pracy coś przyczepi się do noży, należy najpierw wyłączyć silnik, odczekać do całkowitego zatrzymania się maszyny, zdjąć przewód ze świecy zapłonowej, a dopiero potem przystąpić do czyszczenia noży. Odcłuzzyć fajkę świecy zapłonowej od świecy.
- Po wyłączeniu silnika trzymać ręce i nogi z dala od zespołu tnącego, dopóki ostrza całkowicie się nie zatrzymają.
- Uważać na koniuszki gałęzi, które podczas cięcia mogą być odrzucane przez maszynę z dużą siłą.
- Mając założone ochronniki słuchu, należy zawsze być szczególnie uważnym na sygnały i zawołania ostrzegawcze. Ochronniki słuchu należy zdejmować zaraz po wyłączeniu silnika.
- Nigdy nie pracować, stojąc na drabinie lub stołku ani na żadnym podwyższeniu, które nie jest stabilne i nie zapewnia zachowania statecznej postawy podczas pracy.
- Produkt należy zawsze trzymać obiema rękami. Produkt należy trzymać przed sobą.
- W razie najechania na twardy przedmiot lub w razie powstania wibracji należy zatrzymać urządzenie. Odcłuzzyć fajkę świecy zapłonowej od świecy. Sprawdzić, czy urządzenie nie jest uszkodzone. Naprawić maszynę, jeśli została uszkodzona.
- Aby wyeliminować ryzyko porażenia prądem, sprawdzić, czy fajka świecy i przewód zapłonowy nie są uszkodzone.

- Sprawdzić, czy dokręcone są wszystkie śruby i nakrętki.
- Dopilnować, by przekładnia była odpowiednio nasmarowana. Patrz *Smarowanie obudowy przekładni na stronie 293*.
- Po zakończeniu pracy urządzeniem przekładnia jest gorąca. Nie dotykać przekładni, aby się nie oparzyć.
- Przed uruchomieniem zamontować wszystkie osłony i pokrywy.
- W przypadku zaklinowania ostrzy mogą być one uwolnione poprzez włożenie klucza płasko-oczkowego do przekładni. Włożyć klucz płasko-oczkowy do przekładni i obrócić go do tyłu i do przodu. Patrz *Smarowanie obudowy przekładni na stronie 293*.
- Gdy produkt nie jest używany, na zespół tnący należy zawsze zakładać osłonę transportową.



- Nosić mocne, przeciwpoślizgowe, wysokie obuwie ochronne lub obuwie robocze.



- Nosić odzież wykonaną z mocnego materiału. Nosić odzież z długimi nogawkami i długimi rękawami, wykonaną z mocnego materiału. Luźne części odzieży mogą zahaczyć o krzewy lub gałęzie. Nie nosić biżuterii, krótkich spodni ani sandałów i nie pracować z odsłoniętymi stopami. Utrzymywać włosy w sposób bezpieczny powyżej poziomu barków.
- Zawsze mieć pod ręką apteczkę pierwszej pomocy.



Zespoły zabezpieczające na osprzęcie



OSTRZEŻENIE: Przed rozpoczęciem użytkowania produktu przeczytać następujące ostrzeżenia.

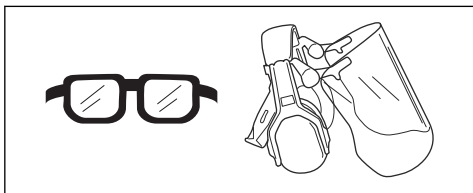
- Nie należy używać maszyny z uszkodzonymi urządzeniami zabezpieczającymi.
- Regularnie przeprowadzać kontrole urządzeń zabezpieczających. Jeśli urządzenia zabezpieczające są uszkodzone, skontaktować się z warształem obsługi technicznej McCULLOCH.

Środki ochrony osobistej



OSTRZEŻENIE: Przed rozpoczęciem użytkowania produktu przeczytać następujące ostrzeżenia.

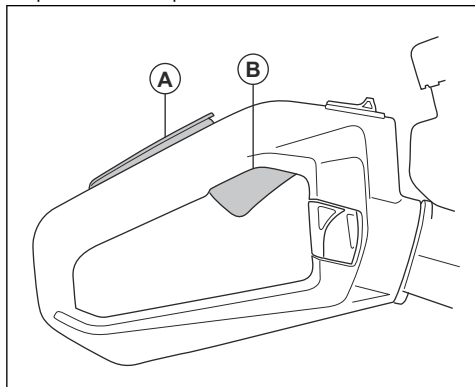
- Podczas używania produktu należy zawsze mieć na sobie zatwierdzone środki ochrony osobistej. Środki ochrony osobistej nie eliminują całkowicie ryzyka odniesienia obrażeń, natomiast ograniczają ich rozmiar w razie zaistnienia wypadku. Skorzystać z pomocy dealera przy wyborze odpowiedniego sprzętu.
- Stosować atestowane ochronniki słuchu o wystarczających właściwościach tłumiących. Długotrwałe przebywanie w hałasie może doprowadzić do trwałej utraty słuchu.
- Stosować atestowane środki ochrony oczu. Podczas używania maski ochronnej twarzy należy mieć na sobie także zatwierdzone okulary ochronne. Za zatwierdzone okulary ochronne uważane są takie, które są zgodne z normami ANSI Z87.1 dla USA lub EN 166 dla krajów UE.



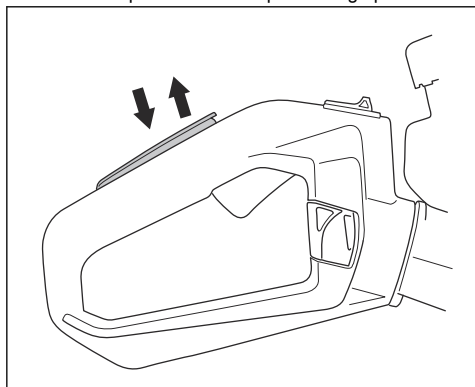
- W razie potrzeby, na przykład podczas mocowania, badania czy czyszczenia narzędzi tnących, stosować rękawice ochronne.

Sprawdzanie blokady dźwigni gazu

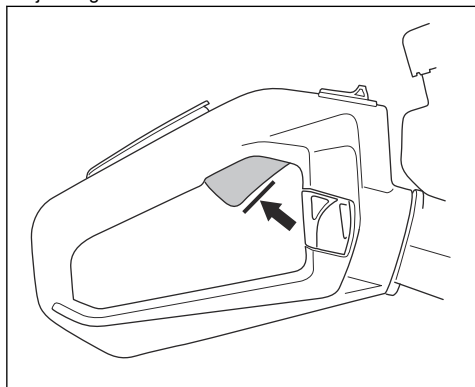
1. Sprawdzić, czy blokada dźwigni gazu (A) i dźwignia gazu (B) poruszają się swobodnie oraz czy sprężyna powrotna działa prawidłowo.



2. Wcisnąć blokadę dźwigni gazu i sprawdzić, czy po zwolnieniu powraca ona do pierwotnego położenia.



3. Zwolnić blokadę dźwigni gazu i upewnić się, że dźwignia gazu jest zablokowana w położeniu biegu jałowego.



4. Uruchomić silnik i nacisnąć do oporu spust przepustnicy.
5. Zwolnić dźwignię gazu i sprawdzić, czy ostrza zatrzymują się całkowicie.



OSTRZEŻENIE: Jeżeli ostrza poruszają się, podczas gdy dźwignia gazu znajduje się w położeniu biegu jałowego, należy wyregulować obroty biegu jałowego. Patrz *Regulacja prędkości obrotowej biegu jałowego*, na stronie 291.

Aby sprawdzić stan wyłącznika

1. Uruchomić silnik.
2. Przeszawić wyłącznik do położenia STOP i sprawdzić, czy silnik się zatrzymuje.



OSTRZEŻENIE: Wyłącznik automatycznie powraca do położenia rozruchu. Aby zapobiec przypadkowemu uruchomieniu, należy wymontować korek świecy zapłonowej ze świecy zapłonowej podczas montażu lub przeprowadzić konserwację produktu.

Sprawdzanie osłony ręki

Osłona ręki chroni przed obrażeniami spowodowanymi przez noże.

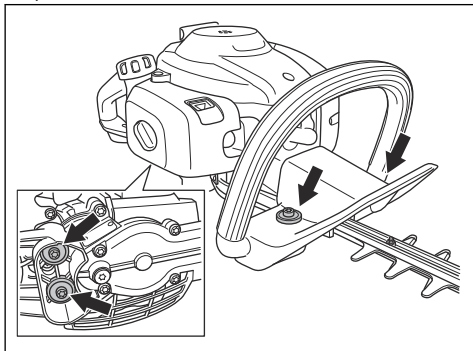
1. Zatrzymać silnik.
2. Sprawdzić, czy osłona dłoni jest dobrze zamocowana.
3. Skontrolować osłonę ręki pod kątem uszkodzeń.

Sprawdzanie układu tłumienia drgań

System tłumienia drgań zmniejsza drgania na uchwytach. Elementy amortyzujące rozdzielają korpus produktu i zespół uchwytów.

1. Przeprowadzić kontrolę wzrokową pod kątem odkształceń i uszkodzeń.

2. Sprawdzić, czy elementy amortyzujące są prawidłowo zamontowane.



Sprawdzanie tłumika



OSTRZEŻENIE: Nigdy nie używać produktu bez tłumika lub z uszkodzonym tłumikiem. Uszkodzony tłumik zwiększa poziom hałasu oraz ryzyko pożaru. Nie używać produktu bez siatki przeciwiskrowej lub z uszkodzoną siatką. Uszkodzoną siatkę przeciwiskrową należy wymienić na nową.



OSTRZEŻENIE: Używany tłumik i iskrochron mogą zawierać rakotwórcze cząstki powstałe przy spalaniu. Używać rękawic ochronnych i wykonywać czynności konserwacyjne w dobrze wentylowanym miejscu, aby uniknąć kontaktu ze skórą i wdychania cząstek rakotwórczych. Nie wolno używać sprężonego powietrza do czyszczenia iskrochronu. Podczas czyszczenia iskrochronu należy używać szczotki drucianej i czyścić w stronę przeciwną, z dala od ciała.



OSTRZEŻENIE: Podczas pracy produktu, również na biegu jałowym, oraz po wyłączeniu produktu tłumik jest bardzo gorący.



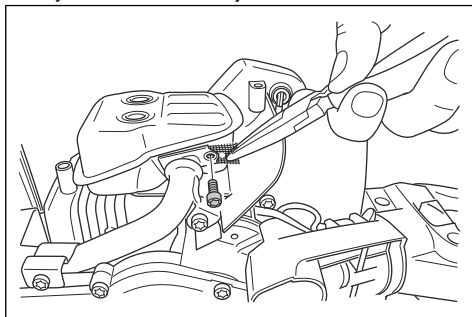
UWAGA: Jeżeli siatka zapycha się często, może to oznaczać, że uległa zmniejszeniu efektywność działania katalizatora. W takim przypadku należy oddać tłumik do przeglądu w punkcie serwisowym. W przypadku zapchania siatki przeciwiskrowej silnik nagrzewa się nadmiernie, co może doprowadzić do uszkodzenia cylindra i tłoka.



OSTRZEŻENIE: Na wewnętrznych powierzchniach tłumika znajdują się substancje chemiczne, które mogą powodować raka. Należy uważać, aby nie dotknąć tych elementów, jeśli tłumik jest uszkodzony.

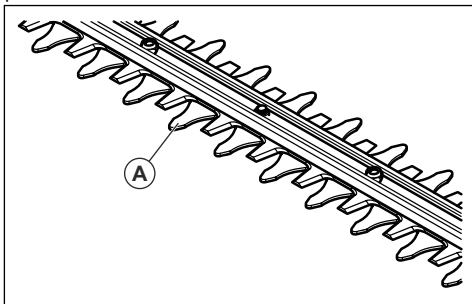
Tłumik ogranicza do minimum poziom hałasu i odprowadza spaliny poza strefę pracy operatora. Tłumik z katalizatorem powoduje ograniczenie emisji szkodliwych gazów spalinowych.

1. Zatrzymać silnik.
2. Przeprowadzić kontrolę wzrokową pod kątem uszkodzeń i odkształceń.
3. Sprawdzić, czy tłumik jest prawidłowo przymocowany do produktu.
4. Delikatnie wyczyścić siatkę przeciwiskrową przy użyciu szczotki drucianej.



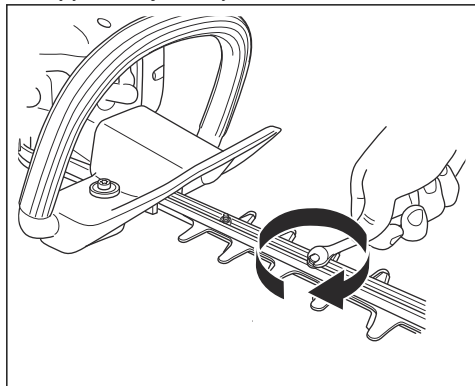
Kontrola ostrza i osłony ostrza

Zewnętrzna krawędź ostrzy (A) pełni funkcję osłony ostrzy. Osłona ostrza zabezpiecza również użytkownika przed kontaktem z ostrzem.



1. Zatrzymać silnik i upewnić się, że zespół tnący się nie obraca.
2. Odłączyć fajkę świecy zapłonowej od świecy.
3. Założyć rękawice ochronne.

4. Sprawdzić, czy ostrze i osłona ostrza nie są uszkodzone ani wygięte. Zawsze wymieniać uszkodzone lub wygięte noże.
5. Upewnić się, że śruby są zamocowane na zespole tnącym. Dokręcić śruby momentem 7–10 Nm.



Zasady bezpieczeństwa dotyczące paliwa



OSTRZEŻENIE: Przed rozpoczęciem użytkowania produktu przeczytać następujące ostrzeżenia.

- Nie uruchamiać produktu, jeśli znajduje się na nim paliwo lub olej silnikowy. Usunąć zabrudzenia paliwem/olejem i odczekać, aż produkt wyschnie.
- W przypadku rozlania paliwa na ubranie należy je natychmiast zmienić.
- Nie dopuścić do kontaktu paliwa z ciałem, ponieważ może to spowodować obrażenia. W przypadku kontaktu paliwa z ciałem należy użyć wody z mydłem w celu jego usunięcia.
- Nie uruchamiać maszyny, jeśli silnik jest nieszczelny. Regularnie sprawdzać silnik pod kątem nieszczelności.
- Zachować ostrożność przy pracy z paliwem. Paliwo jest łatwopalne, a jego opary mogą wybuchnąć, powodując obrażenia lub śmierć.
- Nie wdychać oparów paliwa, ponieważ może to być groźne dla zdrowia lub życia. Zapewnić odpowiednią wentylację.
- Nie palić tytoniu w pobliżu paliwa lub silnika.
- Nie umieszczać gorących przedmiotów w pobliżu paliwa lub silnika.
- Nie dolewać paliwa podczas pracy silnika.
- Przed tankowaniem upewnić się, że silnik jest zimny.
- Przed tankowaniem pomału odkręcić korek zbiornika paliwa i ostrożnie zwolnić ciśnienie.

- Nie dolewać paliwa do silnika w zamkniętym pomieszczeniu. Niewystarczający przepływ powietrza może doprowadzić do obrażeń lub śmierci na skutek uduszenia lub zatrucia tlenkiem węgla.
- Do końca dokręcić korek zbiornika paliwa. W przypadku braku dokręcenia korka zbiornika paliwa istnieje ryzyko powstania pożaru.
- Przed uruchomieniem należy przenieść produkt co najmniej 3 metry / 10 stóp od miejsca, w którym napełniany był zbiornik paliwa.
- Nie napełniać zbiornika paliwa całkowicie. Ciepło powoduje zwiększenie objętości paliwa. Pozostawić wolną przestrzeń na górze zbiornika.

Instrukcje bezpieczeństwa dotyczące konserwacji



OSTRZEŻENIE: Przed rozpoczęciem użytkowania produktu przeczytać następujące ostrzeżenia.

- Zatrzymać silnik i upewnić się, że zespół tnący się nie obraca. Przed rozpoczęciem wykonywania prac konserwacyjnych poczekać na ostygnięcie urządzenia.
- Przed przystąpieniem do konserwacji odłączyć fajkę świecy zapłonowej.
- Spaliny z silnika zawierają tlenek węgla, który jest bezwonnym, trującym oraz niebezpiecznym gazem i może spowodować śmierć. Nie uruchamiać maszyny w pomieszczeniach ani zamkniętych przestrzeniach.
- Spaliny silnikowe mają wysoką temperaturę i mogą zawierać iskry. Nigdy nie włączać urządzenia w pomieszczeniach zamkniętych ani w pobliżu materiałów łatwopalnych.
- Niezatwierdzone przez producenta akcesoria i modyfikacje maszyny mogą spowodować poważne obrażenia lub śmierć. Nie należy modyfikować maszyny. Zawsze należy korzystać z oryginalnych akcesoriów.
- W przypadku nieprawidłowo lub nieregularnie przeprowadzanej konserwacji wzrasta ryzyko obrażeń oraz uszkodzenia produktu.
- Konserwację należy przeprowadzać wyłącznie w sposób określony w niniejszej instrukcji użytkownika. Zlecić autoryzowanemu warsztatowi obsługi technicznej McCULLOCH wykonanie pozostałych czynności serwisowych.
- Należy dopilnować przeprowadzania regularnej konserwacji maszyny przez autoryzowany serwis McCULLOCH.
- Wymienić uszkodzone, zużyte lub zniszczone części.

Przeznaczenie

Wstęp

oleju przeznaczanego do silników czteresurowych.



OSTRZEŻENIE: Przed użyciem produktu należy zapoznać się z rozdziałem dotyczącym bezpieczeństwa.

Paliwo

Produkt jest wyposażony w silnik dwusuwowy.



UWAGA: Nieprawidłowy rodzaj paliwa może doprowadzić do uszkodzenia silnika. Używać mieszanki benzyny i oleju do silników dwusuwowych.

Wstępnie wymieszane paliwo

- W celu zapewnienia najlepszej wydajności i wydłużenia żywotności silnika należy używać wstępnie wymieszanego paliwa alkilowego McCULLOCH. Takie paliwo zawiera mniej szkodliwych substancji chemicznych w porównaniu z tradycyjnym paliwem, dzięki czemu wytwarza mniej szkodliwych gazów wydechowych. Ilość pozostałości po spaleniu tego paliwa jest mniejsza, co zapewnia większą czystość elementów silnika.

Mieszanie paliwa

Benzyna

- Należy używać wysokiej jakości benzyny bezołowiowej o maks. 10% zawartości etanolu.



UWAGA: Nie używać benzyny o liczbie oktanowej niższej niż 90 RON/87 AKI. Używanie benzyny o niższej liczbie oktanowej może powodować odgłosy stukania i prowadzić do uszkodzenia silnika.

Olej do silników dwusuwowych

- Aby uzyskać najlepsze wyniki i wydajność, należy używać oleju do silników dwusuwowych McCULLOCH.
- Jeśli olej McCULLOCH do silników dwusuwowych nie jest dostępny, należy użyć dobrej jakości oleju do silników dwusuwowych chłodzonych powietrzem. Skontaktować się z dealerem ds. serwisu w celu wybrania właściwego oleju.



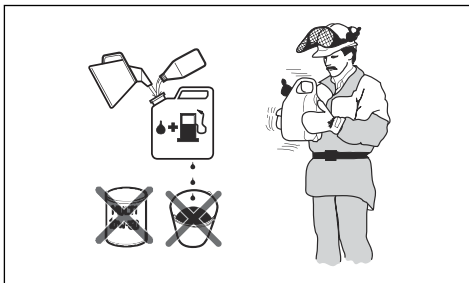
UWAGA: Nigdy nie używaj oleju do silników dwusuwowych przeznaczanego do chłodzonych wodą, zaburtowych silników do łodzi. Nie używać

Mieszanie benzyny i oleju do silników dwusuwowych

Benzyna, w litrach	Olej do silników dwusuwowych, w litrach
	2% (50:1)
5	0,10
10	0,20
15	0,30
20	0,40



UWAGA: Podczas mieszania małych ilości paliwa niewielkie błędy mogą mieć znaczny wpływ na proporcje mieszanki. W celu uzyskania prawidłowej mieszanki należy dokładnie odmierzyć ilość dodawanego oleju.



- Wlać połowę objętości benzyny do czystego pojemnika na paliwo.
- Wlać pełną ilość oleju.
- Wymieszać dokładnie paliwo z olejem, potrząsając pojemnikiem.
- Dodać pozostałą objętość benzyny do pojemnika.
- Wymieszać dokładnie paliwo z olejem, potrząsając pojemnikiem.

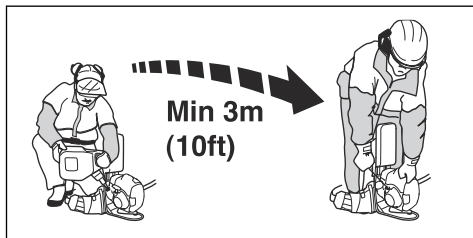


UWAGA: Nie mieszać jednorazowo większej ilości paliwa niż wymagana na 1 miesiąc pracy.

Napełnianie zbiornika paliwa

- Oczyścić korek wlewowy i powierzchnię wokół niego.

2. Wstrząsnąć pojemnikiem i upewnić się, że paliwo jest dobrze wymieszane. Należy stosować kanister z zabezpieczeniem przed przelaniem paliwa.
3. Odkręcić korek zbiornika paliwa.
4. Napelnianie zbiornika paliwa.
5. Ostrożnie dokręcić korek zbiornika paliwa.
6. Przed uruchomieniem przenieść produkt na odległość 3 m (10 stóp) lub więcej od miejsca tankowania.

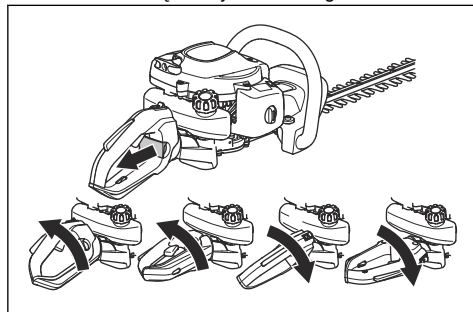


UWAGA: Zanieczyszczenia znajdujące się w zbiorniku mogą być przyczyną zakłóceń pracy silnika. Co najmniej raz do roku należy oczyścić zbiornik paliwa i zbiornik oleju łańcuchowego i wymienić filtr paliwa.

Regulacja uchwyty (ERGOLITE 6028)

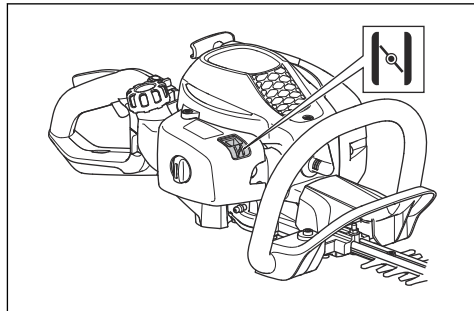
Uchwyt tylny można ustawiać w 5 różnych położeniach.

- Zwolnić blokadę uchwytu i obrócić go.



Informacje dotyczące uruchamiania produktu z ciepłym silnikiem, patrz

1. Pociągnąć dźwignię ssania do pozycji ssania.



2. Nacisnąć pompkę paliwa około 6 razy lub do czasu, gdy zacznie napelniać się paliwem. Nie jest konieczne całkowite napelnienie gruszki pompki paliwa.
3. Przycisnąć korpus maszyny do ziemi lewą ręką. Nie stawać na produkcie.
4. Powoli pociągnąć rączkę linki rozrusznika prawą ręką, aż będzie wyczuwalny opór, a następnie pociągnąć szybko i z dużą siłą.



OSTRZEŻENIE: Nie owijać linki rozrusznika wokół dłoni.



UWAGA: Nie ciągnąć linki rozrusznika do pełnego wysunięcia i nie puszczać uchwytu rozrusznika.

5. Pociągnąć za uchwyt linki rozrusznika aż do uruchomienia silnika, a następnie pchnąć dźwignię ssania do położenia początkowego.



OSTRZEŻENIE: Ostrza poruszają się po uruchomieniu silnika.

6. Pociągnąć rączkę linki rozrusznika, aż silnik się uruchomi.
7. Nacisnąć i zwolnić dźwignię gazu, aby ustawić silnik na obrotach biegu jałowego.
8. Stopniowo nacisnąć dźwignię gazu, aby zwiększyć prędkość obrotową silnika.
9. Silnik powinien pracować płynnie.

Informacje dotyczące uruchamiania produktu z ciepłym silnikiem, patrz

1. Przycisnąć korpus produktu do ziemi lewą ręką. Nie stawać na produkcie.

2. Powoli pociągnąć rączkę linki rozrusznika prawą ręką, aż będzie wyczuwalny opór, a następnie pociągnąć szybko i z dużą siłą. Powtarzać tę czynność, aż silnik zacznie pracować.

Uwaga: Aby uzyskać więcej informacji dotyczących uruchamiania produktu, patrz *Informacje dotyczące uruchamiania produktu z ciepłym silnikiem, patrz na stronie 289.*

Wyłączanie produktu

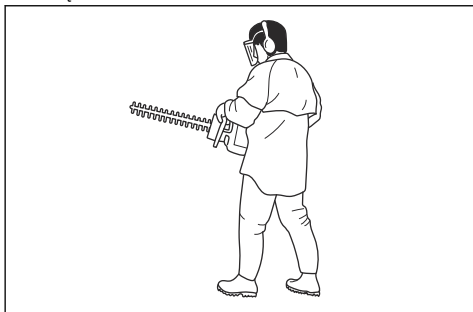
- Przetawić wyłącznik w położenie wyłączenia, aby zatrzymać silnik.



UWAGA: Wyłącznik automatycznie powraca do położenia pracy.

Obsługa produktu

1. Produkt uruchamiać przy ziemi i przesuwając do góry wzdłuż żywoplotu podczas obcinania boków. Uważać, aby nie dotykać żywoplotu korpusem urządzenia.



OSTRZEŻENIE: Uważać, aby nie dotykać ziemi przodem osprzętu tnącego.

2. Dostosować prędkość do obciążenia.
3. Trzymać urządzenie w pobliżu ciała, aby mieć pewną pozycję przy pracy.
4. Należy zachować ostrożność i prawidłowo korzystać z produktu.

Przegląd

Wstęp



OSTRZEŻENIE: Przed przystąpieniem do konserwacji produktu

zapoznać się z rozdziałem dotyczącym bezpieczeństwa.

Plan konserwacji

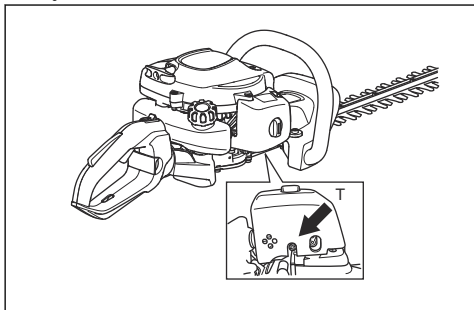
Przegląd	Przed pracą	Po 40 godz.	Po 100 godz.
Oczyszczyć powierzchnię zewnętrzną.	Po każdym użyciu.		
Wyczyścić tłumik, rurę wydechową i silnik, usuwając liście, brud i nadmiar smaru.	Po każdym użyciu.		
Sprawdzić, czy zespół tnący się nie porusza, gdy silnik pracuje na biegu jałowym.	X		

Przegląd	Przed pracą	Po 40 godz.	Po 100 godz.
Sprawdzić stan wyłącznika. Patrz <i>Aby sprawdzić stan wyłącznika na stronie 285.</i>	X		
Sprawdzić, czy zespół tnący nie jest uszkodzony bądź pęknięty. Wymienić, jeśli jest uszkodzony.	X		
Sprawdzić, czy osłona ręki nie jest uszkodzona ani pęknięta. Wymienić, jeśli jest uszkodzony.	X		
Sprawdzić blokadę manetki gazu oraz dźwignię gazu. Patrz <i>Sprawdzanie blokady dźwigni gazu na stronie 285.</i>	X		
Sprawdzić silnik, zbiornik paliwa i przewód paliwowy pod kątem wycieków.	X		
Dokręcić nakrętki i śruby.	X		
Oczyszczyć lub wymienić siatkę iskrochronu tłumika. Patrz <i>Sprawdzanie tłumika na stronie 286.</i>		X	
Sprawdzić rozrusznik i linkę rozrusznika pod kątem uszkodzeń.		X	
Sprawdzić, czy śruby zespalające noże są prawidłowo dokręcone.		X	
Oczyszczyć filtr powietrza. Filtr należy czyścić częściej w przypadku używania produktu w obszarach zapyłonych. Wymienić, jeśli jest uszkodzony.		X	
Sprawdzić elementy amortyzujące pod kątem uszkodzeń i pęknięć. Wymienić, jeśli jest uszkodzony.		X	
Wyczyścić zewnętrzną powierzchnię świecy zapłonowej oraz przestrzeń wokół niej. Zdemonstrować świecę zapłonową i zmierzyć odstęp między elektrodami. Wyregulować odstęp między elektrodami lub wymienić świecę zapłonową. Patrz <i>Sprawdzanie świecy zapłonowej na stronie 292.</i>		X	
Oczyszczyć układ chłodzenia.		X	
Wyczyścić zewnętrzną powierzchnię gaźnika oraz przestrzeń wokół niego.		X	
Sprawdzić, czy filtr paliwa nie jest zanieczyszczony i czy na przewodzie giętkim paliwa nie ma pęknięć ani innych uszkodzeń. Wymienić, jeśli jest uszkodzony.			X
Wyczyścić siatkę przeciwiskrową tłumika i wymienić na nową, jeśli jest uszkodzona.			X
Oczyszczyć wnętrze zbiornika paliwa.			X
Wymienić świecę zapłonową.			X
Sprawdzić stopień zużycia sprzęgła, sprężyny sprzęgła i bębna sprzęgła. Jeśli są uszkodzone, wymienić je w autoryzowanym punkcie serwisowym.			X
Sprawdzić, czy osłona przekładni jest wypełniona smarem.			X
Sprawdzić wszystkie przewody i połączenia.			X

Regulacja prędkości obrotowej biegu jałowego.

1. Wyczyścić filtr powietrza i przymocować pokrywę filtra powietrza.
2. Uruchamianie produktu Patrz *Informacje dotyczące uruchamiania produktu z ciepłym silnikiem, patrz na stronie 289.*

- Przekręcić śrubę regulacyjną biegu jałowego T w prawo do momentu, gdy zespół tnący zacznie się obracać.



- Przekręcić śrubę regulacji obrotów biegu jałowego w lewo do momentu, gdy zespół tnący zatrzyma się.

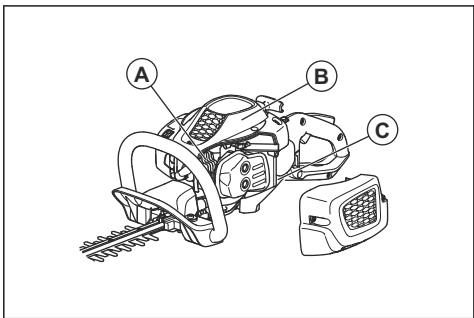


OSTRZEŻENIE: Jeżeli zespół tnący nie zatrzymuje się po ustawieniu biegu jałowego, należy skontaktować się z najbliższym serwisem. Nie należy używać produktu, dopóki nie zostanie prawidłowo wyregulowany lub naprawiony.

Uwaga: Obroty jałowe są ustawione prawidłowo, jeżeli silnik pracuje płynnie w każdym położeniu. Zalecana prędkość obrotowa biegu jałowego — patrz *Dane techniczne na stronie 295*.

Czyszczenie układu chłodzenia.

Układ chłodzenia utrzymuje niską temperaturę silnika. Układ chłodzenia jest wyposażony w żebra chłodzące cylindra (A), pokrywę cylindra (B) i wlot powietrza przez skrzynię korbową (C).



UWAGA: Wlot powietrza między zbiornikiem paliwa a skrzynią korbową jest łatwo blokowany przez liście. Wyczyścić całkowicie wlot powietrza.

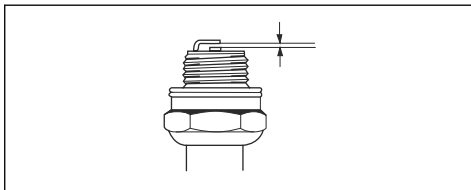
- Układ chłodzenia należy czyścić szczotką raz na tydzień lub częściej, jeśli zachodzi taka potrzeba.
- Sprawdzić, czy system chłodzący nie jest zabrudzony lub zatkany.

Sprawdzanie świecy zapłonowej



UWAGA: Stosuj wyłącznie świece zapłonowe zalecane przez producenta. Niewłaściwy typ świecy zapłonowej może spowodować uszkodzenie produktu.

- Sprawdzić świecę zapłonową, jeśli silnik ma za małą moc, trudno go uruchomić lub nie działa prawidłowo na biegu jałowym.
- Aby zmniejszyć ryzyko przedostawania się niepożądanych materiałów na elektrody świecy zapłonowej, należy przestrzegać poniższych instrukcji:
 - Dopilnować, by obroty biegu jałowego zostały prawidłowo wyregulowane.
 - Dopilnować, aby używana była odpowiednia mieszanka paliwowa.
 - Zadbać o czystość filtra powietrza.
- Jeśli świeca zapłonowa jest zabrudzona, należy ją wyczyścić i upewnić się, że odstęp między elektrodami jest prawidłowy, patrz *Dane techniczne na stronie 295*.

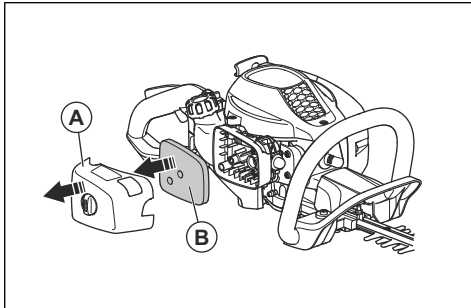


- W razie potrzeby wymienić świecę zapłonową.

Czyszczenie filtra powietrza

Regularnie czyścić filtr powietrza z brudu i kurzu. Zapobiega to usterkom gaźnika, problemom z rozruchem, utracie mocy silnika, zużyciu części silnika i większemu niż zwykle zużyciu paliwa.

- Zdjąć pokrywę filtra powietrza (A).



- Wyjąć filtr powietrza (B) z ramki filtra.
- Wyczyścić filtr powietrza w ciepłej wodzie z mydłem.



UWAGA: Całkowite oczyszczenie filtra po długim okresie użytkowania nie jest możliwe. Wymieniać filtr powietrza regularnie i zawsze wymieniać uszkodzony filtr powietrza.

- Sprawdzić, czy filtr powietrza jest suchy.
- Naćłóżyć olej na filtr powietrza. Patrz *Nakładanie oleju na piankowy filtr powietrza na stronie 293*.
- Oczyszczyć wewnętrzną powierzchnię pokrywy filtra powietrza. Użyć sprężonego powietrza lub szczotki.

Nakładanie oleju na piankowy filtr powietrza

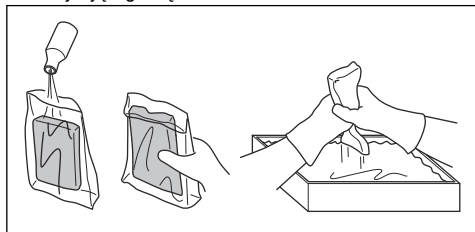


UWAGA: Należy zawsze stosować specjalny olej McCULLOCH do filtrów powietrza. Nie używać innych rodzajów olejów.



OSTRZEŻENIE: Założyć rękawice ochronne. Olej do filtrów powietrza może spowodować podrażnienie skóry.

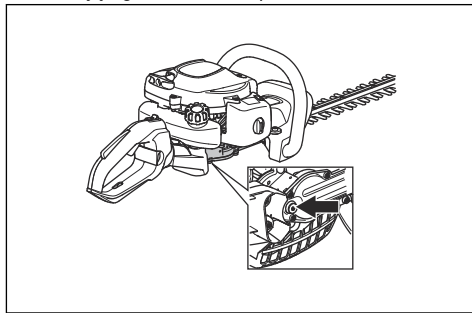
- Umieścić piankowy filtr powietrza w woreczku foliowym.
- Wlać olej do woreczka.
- Potrząść woreczek tak, aby olej rozprzestrzenił się równo po całym filtrze.
- Wycisnąć nadmiar oleju z filtra powietrza znajdującego się w woreczku.



Smarowanie obudowy przekładni

- Należy użyć specjalnego smaru McCULLOCH. Dodatkowe informacje dotyczące zalecanych środków smarnych można uzyskać w autoryzowanym punkcie serwisowym.

- Nanieść smar przez korek wlewu środka smarującego na obudowie przekładni.



UWAGA: Nie napełniać obudowy przekładni do pełna.

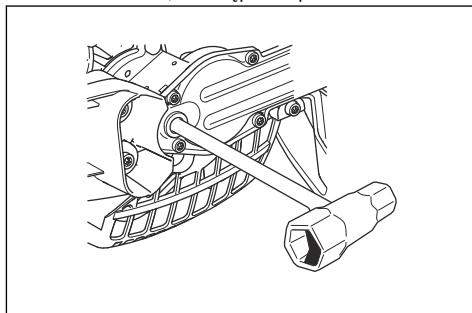
Czyszczenie i smarowanie ostrzy

- Oczyszczyć noże z niepożądanego materiału przed każdym użyciem produktu i po nim.
- Przed dłuższym okresem przechowywania urządzenia należy nasmarować ostrza.

Uwaga: Dodatkowe informacje dotyczące zalecanych środków smarnych można uzyskać w centrum serwisowym.

Sprawdzanie noży

- Zdjąć korek wlewu środka smarującego z obudowy przekładni.
- Sprawdzić, czy noże obracają się swobodnie. Włożyć klucz płasko-oczkowy w osłonę przekładni i obrócić w lewo, a następnie w prawo.



- Sprawdzić końcówki noży pod kątem uszkodzeń i odkształceń.
- Za pomocą pilnika usunąć zadziory na nożach.

Rozwiązywanie problemów

Rozwiązywanie problemów

Silnik nie uruchamia się		
Problem	Prawdopodobna przyczyna	Zalecane działanie
Zapadki rozrusznika	Zapadki rozrusznika nie są w stanie się swobodnie poruszać.	Wyregulować lub wymienić zabieraki.
		Wyczyścić powierzchnię wokół zapadek rozrusznika.
		Skontaktować się z autoryzowanym punktem serwisowym.
Zbiornik paliwa	Niewłaściwy rodzaj paliwa.	Opróżnić zbiornik i wlać właściwe paliwo.
Gaźnik	Nieprawidłowe obroty biegu jałowego.	Wyregulować prędkość obrotową biegu jałowego.
Brak iskry	Świeca zapłonowa jest zabrudzona lub wilgotna.	Sprawdzić, czy świeca zapłonowa jest sucha i czysta.
	Nieprawidłowy odstęp między elektrodami.	Wyczyścić świecę zapłonową. Upewnić się, że odstęp między elektrodami świecy zapłonowej jest prawidłowy. Upewnić się, czy świeca zapłonowa jest wyposażona w tzw. eliminator zakłóceń radiowych.
		Aby uzyskać informacje na temat właściwego odstępu między elektrodami, patrz <i>Dane techniczne na stronie 295</i> .
Świeca zapłonowa	Poluzowana świeca zapłonowa.	Dokręcić świecę zapłonową.

Silnik odpala i gaśnie		
Problem	Prawdopodobna przyczyna	Zalecane działanie
Zbiornik paliwa	Niewłaściwy rodzaj paliwa.	Opróżnić zbiornik i wlać właściwe paliwo.
Gaźnik	Nieprawidłowe obroty biegu jałowego.	Wyregulować prędkość obrotową biegu jałowego. Patrz <i>Regulacja prędkości obrotowej biegu jałowego. na stronie 291</i> . W razie potrzeby skontaktować się z lokalnym punktem serwisowym.
Filtr powietrza	Zapchany filtr powietrza.	Wyczyścić filtr powietrza.

Ostrze		
Problem	Możliwe przyczyny	Zalecane działanie
Ostrze porusza się powoli lub nie porusza się.	Ostrze jest zablokowane lub jest uszkodzone.	Oczyścić ostrza z niepożądanych materiałów. Patrz <i>Czyszczenie i smarowanie ostrzy na stronie 293</i> . Zdjąć zadziory z ostrza, patrz <i>Sprawdzanie noży na stronie 293</i> . Wymienić ostrze, jeżeli jest uszkodzone.
Ostrze tnie z trudem.	Ostrze nie jest naostrzone lub jest uszkodzone.	Należy naostrzyć ostrze, patrz <i>Sprawdzanie noży na stronie 293</i> . Wymienić ostrze, jeżeli jest uszkodzone.
Ostrze nagrzewa się.	Między ostrzami występują tarcie.	Usunąć zadziory z ostrza i nasmarować je. Patrz <i>Sprawdzanie noży na stronie 293</i> .

Transport, przechowywanie i utylizacja

Transport i przechowywanie

- Przed odstawieniem produktu do przechowywania poczekać, aż produkt ostygnie.
- W zakresie przechowywania i transportu maszyny i paliwa należy upewnić się, że nie ma żadnych przecieków ani nie wydostają się z urządzenia żadne opary. Iskry lub otwarty płomień pochodzące, na przykład, z urządzeń elektrycznych lub kotłów, mogą wzniecić pożar.
- Zawsze należy korzystać z zatwierdzonych pojemników do przechowywania i transportu paliwa.
- Przed transportem lub przed dłuższym okresem przechowywania należy spuścić paliwo. Utylizacja paliwa musi odbywać się w odpowiednim miejscu.
- Przymocować osłonę transportową na czas transportu i przechowywania.

- Odłączyć fajkę świecy zapłonowej od świecy.
- Przymocować produkt podczas transportu. Upewnić się, że nie może się poruszać.
- Wyczyścić przeprowadzić czynności konserwacyjne przed długim przechowywaniem.

Utylizacja

- Należy przestrzegać lokalnych wymogów oraz obowiązujących przepisów.
- Zutyliżować wszelkie środki chemiczne, takie jak olej silnikowy lub paliwo, w centrum serwisowym lub w odpowiednim punkcie utylizacji.
- Zutyliżować maszynę w zatwierdzonym punkcie utylizacji lub wysłać ją do McCULLOCH w celu utylizacji.

Dane techniczne

Dane techniczne

Dane techniczne	SUPERLITE 4528	ERGOLITE 6028
Silnik		
Pojemność skokowa, cm ³	21,7	21,7
Obroty na biegu jałowym, obr./min	2800	2800
Zalecana maks. prędkość obrotowa, obr./min	9000	9000
Maks. moc silnika zgodnie z ISO 8893, kW/ obr./min	0,6/7800	0,6/7800
Tłumik z katalizatorem	Tak	Tak
Układ zapłonowy		
Świeca zapłonowa	HQT-4 672201	HQT-4 672201

Dane techniczne	SUPERLITE 4528	ERGOLITE 6028
Odstęp między elektrodami, w mm	0,5	0,5
Paliwo		
Pojemność zbiornika paliwa, w l	0,3	0,3
Waga		
Masa, kg	4,8	5,0
Poziom hałasu ⁵²		
Zmierzony poziom mocy akustycznej, dB(A)	100	100
Poziom głośności, gwarantowana moc akustyczna L _{WA} dB(A)	101	101
Poziomy głośności ⁵³		
Równoważny poziom ciśnienia akustycznego przy uchu operatora zmierzony zgodnie z normą EN ISO 10517, w dB(A)	93	93
Poziomy drgań ⁵⁴		
Równoważne poziomy drgań uchwytów (a _{hv,eq}), zmierzone zgodnie z normami: EN ISO 10517, m/s ² :		
Przód/tył, mm/s ²	3,5/4,4	4,1/5,2
Noże		
Typ	Dwustronne	Dwustronne
Długość cięcia w mm	450	590
Wydajność cięcia, cięcia/min	4050	4050

⁵² Emisję hałasu do otoczenia zmierzono jako moc akustyczną (L_{WA}), zgodnie z dyrektywą Rady 2000/14/WE. Odnotowany poziom ciśnienia akustycznego dla produktu został zmierzony z oryginalnym osprzętem tnącym, takim który generuje najwyższy poziom hałasu. Różnica pomiędzy gwarantowanym a zmierzonym poziomem ciśnienia akustycznego wynika z tego, że poziom gwarantowany uwzględnia także rozrzut w wynikach pomiaru oraz różnice pomiędzy różnymi wersjami tego samego modelu zgodnie z dyrektywą 2000/14/WE.

⁵³ Odnotowane dane dla ciśnienia akustycznego mają typowe rozproszenie statystyczne (odchylenie standardowe) w wysokości 1 dB (A).

⁵⁴ Odnotowane dane dla poziomu wibracji mają typowe rozproszenie statystyczne (odchylenie standardowe) w wysokości 1 m/s².

Deklaracja zgodności WE

Deklaracja zgodności UE

Firma **Husqvarna AB**, SE-561 82 Huskvarna,
Szwecja, tel.: +46-36-146500, deklarujemy z pełną
odpowiedzialnością, że produkt:

Opis	Nożyce do żywopłotów
Marka	McCULLOCH
Typ/model	SUPERLITE 4528, ERGOLITE 6028
Identyfikacja	Numery seryjne z roku 2022 i nowsze

spełnia wszystkie wymogi określone w odpowiednich
dyrektywach i przepisach UE:

Przepis	Opis
2006/42/WE	„w sprawie maszyn”
2014/30/UE	„w sprawie kompatybilności elektromagnetycznej”
2000/14/WE	„dotycząca emisji hałasu do środowiska, załącznik V”
2011/65/UE	„dotycząca ograniczenia użycia niektórych substancji niebezpiecznych w sprzęcie elektrycznym i elektronicznym”

oraz został zaprojektowany zgodnie z następującymi
normami i specyfikacjami technicznymi: EN ISO
12100:2010, EN ISO 10517:2019, EN IEC 63000:2018,
EN ISO 14982:2009.

Jednostka notyfikowana: Dobrowolna kontrola
homologacyjna na rzecz Husqvarna AB została
przeprowadzona przez RISE SMP Svensk
Maskinprovning AB, Box 7035, SE-750 07 Uppsala,
Sweden.

Numer certyfikatu: SEC/11/2327

Informacje dotyczące emisji hałasu podano w rozdziale
Dane techniczne na stronie 295.

Huskvarna, 2022-02-15

Stefan Holmberg, dyrektor ds. produktów globalnych
z działu urządzeń ręcznych, dyrektor laboratorium usług
globalnych HH, Husqvarna AB

Osoba odpowiedzialna za dokumentację techniczną

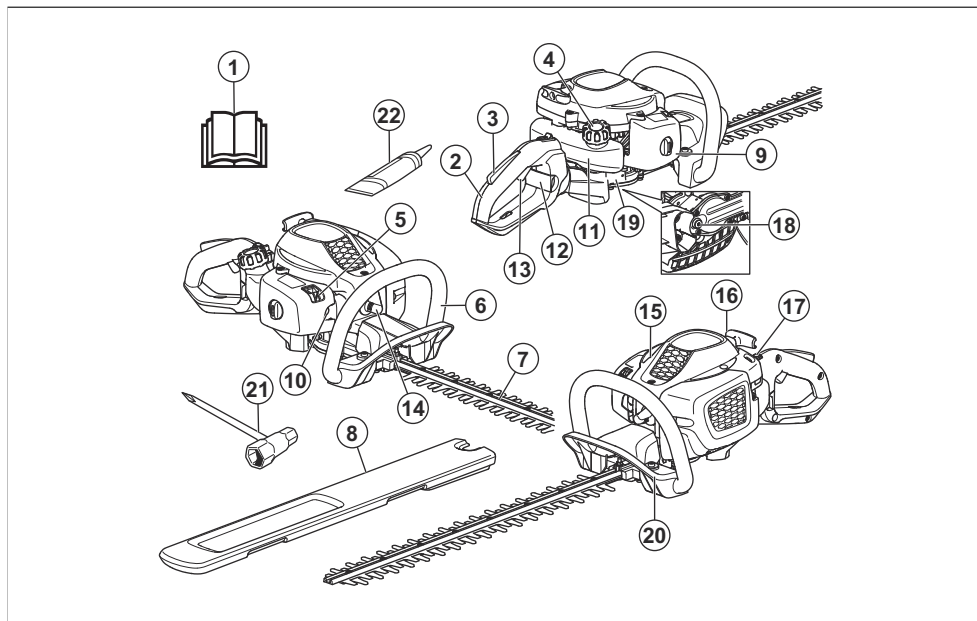


Sadržaj

Uvod.....	298	Rješavanje problema.....	309
Sigurnost.....	299	Prijevoz, spremanje i zbrinjavanje.....	310
Rad.....	304	Tehnički podaci.....	311
Održavanje.....	306	Izjava o sukladnosti EC.....	313

Uvod

Pregled proizvoda



1. Korisnički priručnik
2. Stražnja ručka
3. Blokada regulatora gasa
4. Čep spremnika za gorivo
5. Regulator čoka
6. Prednja ručka
7. Nož i štitnik noža
8. Transportni štitnik
9. Poklopac filtra zraka
10. Čašica pumpice za gorivo
11. Spremnik za gorivo
12. Blokada ručice (ErgoLite)
13. Regulator gasa
14. Kapica svjećice i svjećica
15. Poklopac cilindra
16. Drška uzeta pokretača

17. Sklopka za zaustavljanje
18. Poklopac za punjenje maziva
19. Kućište mjenjača
20. Štitnik za ruku
21. Kombinirani ključ
22. Tuba maziva

Opis proizvoda

Ovaj proizvod su škare za živicu s motorom s unutarnjim sagorijevanjem.

Namjena

Proizvod se upotrebljava za rezanje grana i grančica. Proizvod nemojte koristiti za druge zadatke.

Simboli na proizvodu



UPOZORENJE! Ovaj proizvod može biti opasan i izazvati teške ozljede ili smrt rukovatelja odnosno drugih osoba. Budite oprezni i pravilno upotrebljavajte ovaj proizvod.



Pažljivo pročitajte korisnički priručnik i prije upotrebe dobro usvojite sadržaj.



Upotrebljavajte odobrenu zaštitu sluha i odobrenu zaštitu za oči.



Upotrebljavajte odobrene zaštitne rukavice.



Upotrebljavajte čizme za teške uvjete rada otporne na klizanje.



Čašica za uklanjanje zraka.



Čok.



Blokada podešavanja ručke.



Govorivo.



Emisije buke u okolišu u skladu s europskom Direktivom 2000/14/EZ i propisom za zaštitu od radova u okolišu (kontrola buke) Novog Južnog Walesa iz 2017. Podaci o emisiji buke navedeni su na naljepnici stroja i u poglavlju Tehnički podaci.



Proizvod ispunjava mjerodavne direktive EZ.

gggggboox

Na natpisnoj pločici nalazi se serijski broj: **gggg** je godina proizvodnje, a **tt** je tjedan proizvodnje.

Napomena: Drugi simboli/naljepnice na proizvodu odnose se na zahtjeve za certifikaciju na pojedinim tržištima.

Standard za emisije Euro V.



UPOZORENJE: Petljanjem po motoru gubite pravo na odobrenje EU-a ovog proizvoda.

Sigurnost

Sigurnosne definicije

Upozorenjima, oprezima i napomenama naglašavaju se posebno važni dijelovi priručnika.



UPOZORENJE: Koristi se kada nepoštivanje uputa iz priručnika može uzrokovati smrt ili ozljede rukovatelja ili promatrača.



OPREZ: Koristi se kada nepoštivanje uputa iz priručnika može uzrokovati oštećenje proizvoda ili drugih materijala u neposrednoj blizini.

Napomena: Koristi se prikaz neophodnih dodatnih informacija za zadanu situaciju.

Opće sigurnosne upute



UPOZORENJE: Prije upotrebe proizvoda pročitajte upute upozorenja u nastavku.

- Nepravilnom ili nemarnom upotrebom proizvoda može postati opasan alat i može prouzročiti ozbiljne ozljede te, u najgorem slučaju, smrt. Vrlo je važno da pažljivo pročitate i dobro razumijete sadržaj ovog priručnika.
- Proizvod tijekom rada proizvodi elektromagnetsko polje. To polje u određenim okolnostima može ometati aktivne ili pasivne medicinske implantate. Za smanjenje opasnosti od uvjeta koji mogu uzrokovati ozljede ili smrt, osobama s medicinskim implantatima prije korištenja ovog uređaja preporučujemo obraćanje liječniku i proizvođaču medicinskog implantata.
- Preveliko izlaganje vibracijama može uzrokovati poremećaj cirkulacije ili oštećenje živčanog

sustava kod ljudi sa slabom cirkulacijom. Ako imate simptome uzrokovane prevelikim izlaganjem vibracijama, obratite se liječniku. Simptomi uključuju obamrlost, nedostatak osjećaja, škakljanje, trnce, bol, gubitak snage, promjene boje ili stanja kože. Simptomi se uglavnom javljaju na prstima, rukama ili zglobovima. Opasnost se može povećati pri niskim temperaturama.

- Korišteni prigušivač ili hvatač iskri možda sadrži kancerogene čestice nastale sagorijevanjem. Kada radite sa prigušivačem ili hvatačem iskri izbjegavajte izlaganje ovim spojevima. Prije upotrebe prigušivača ili hvatača iskri pročitajte upute u *Provjera prigušivača na stranici 302*.
- Ako dođete u situaciju u kojoj niste sigurni što napraviti, obratite se stručnjaku. Obratite se zastupniku ili serviseru. Izbjegavajte sve situacije koje bi mogle nadilaziti vaše sposobnosti.
- Ne zaboravite kako je korisnik odgovoran za nezgode ili dovođenje u opasnost drugih osoba ili njihove imovine.
- Upotrebu proizvoda nemojte dopustiti osobama koje nisu s razumijevanjem pročitale i usvojile sadržaj korisničkog priručnika.
- Djeca ne smiju koristiti ovaj proizvod niti boraviti u njegovoj blizini. Budući da je ovaj proizvod opremljen prekidačem s oprugom za isključivanje i moguće ga je pokrenuti malom brzinom i silom na ručici pokretača, u određenim okolnostima čak i mala djeca mogu proizvesti dovoljnu silu za pokretanje stroja. To može rezultirati ozbiljnim tjelesnim ozljedama. Stoga uklonite kapicu svjeće kad ovaj proizvod nije pod strogim nadzorom.
- Proizvod spremite izvan dohvata djece.
- Nikada nemojte upotrebljavati ovaj proizvod ako ste umorni, ako ste pili alkohol ili uzeli lijek koji djeluje na vaš vid, sposobnost rasuđivanja ili koordinaciju.
- Nikada nemojte upotrebljavati neispravan proizvod. Redovno vršite sigurnosne provjere, održavanje i servis kao što je opisano u ovom priručniku. Neke od radnji održavanja i servisiranja trebaju vršiti isključivo obučeni i kvalificirani stručnjaci. Pročitajte upute pod naslovom Održavanje.
- Nikada nemojte upotrebljavati proizvod koji je na bilo koji način izmijenjen u odnosu na izvorne specifikacije.

Sigurnosne upute za rad



UPOZORENJE: Prije upotrebe proizvoda pročitajte upute upozorenja u nastavku.

- Nikada nemojte koristiti ovaj proizvod u iznimnim klimatskim uvjetima poput velike hladnoće ili velike topline i/ili velike vlažnosti.
- Neispravni noževi mogu povećati opasnost od nezgoda.

- Tijekom rada ljudima i životinjama onemogućite pristup na bliže od 15 m / 50'.
- Pregledajte okolinu i pobrinite se da nema opasnosti da ljudi ili životinje dođu u doticaj s reznom opremom.
- Pregledajte radno područje. Uklonite sva tijela koja mogu biti izbačena strojem.
- Obavezno osigurajte siguran i stabilan radni položaj.
- Proizvod s uključenim motorom nije dopušteno ostaviti bez nadzora.
- Rukama i stopalima nemojte prilaziti reznoj jedinici dok je motor u pogonu.
- Ako se nešto zaglavilo u noževima dok radite, ugasite motor i pričekajte dok se potpuno ne zaustavi prije čišćenja oštrica Odspojite lulicu svjeće od svjeće.
- Kada je motor isključen, rukama i stopalima nemojte prilaziti reznoj jedinici dok se potpuno ne zaustavi.
- Pripazite na panjeve ili grane koje stroj može izbaciti prilikom rezanja.
- Uvijek budite pozorni u zapažanju znakova upozorenja ili dovika kada se rabi zaštita sluha. Obavezno uklonite zaštitu sluha odmah po zaustavljanju motora.
- Nikada nemojte raditi s ljestvi, stolice ili drugog nepotpuno osiguranog povišenog položaja.
- Uvijek držite ovaj proizvod s obje ruke. Ovaj proizvod držite ispred svojeg tijela.
- Ako udarite u strani predmet ili osjetite vibracije, odmah zaustavite proizvod. Odspojite lulicu svjeće od svjeće. Provjerite je li proizvod oštećen. Popravite sva oštećenja.
- Kapa svjeće i vod za paljenje moraju biti ispravni kako bi se spriječio rizik od strujnog udara.
- Provjerite zategnutost svih matica i vijaka.
- Provjerite je zupčani prijenosnik pravilno podmazan. Pogledajte *Podmazivanje kućišta mjenjača na stranici 309*.
- Zupčani prijenosnik postaje vruć tijekom upotrebe proizvoda. Nemojte dodirivati zupčani prijenosnik kako se ne biste opekli.
- Prije pokretanja moraju se montirati svi poklopci i štitnici.
- Ako dođe do zaglavljenja noževa, možete ih otpustiti umetanjem kombiniranog ključa u zupčani prijenosnik. Umetnite kombinirani ključ u zupčanike i okrećite ga prema naprijed i natrag. Pogledajte *Podmazivanje kućišta mjenjača na stranici 309*.
- Transportni štitnik mora uvijek biti montiran na reznu jedinicu kada ovaj proizvod nije u upotrebi.

Oprema za osobnu zaštitu

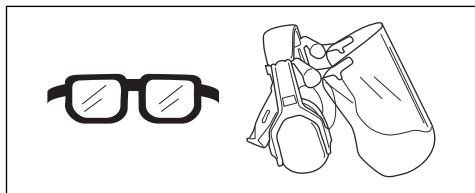


UPOZORENJE: Prije upotrebe proizvoda pročitajte upozoravajuće upute u nastavku.

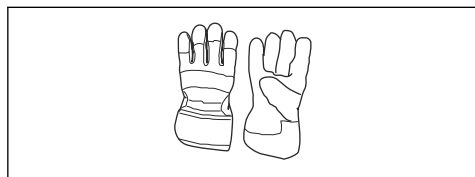
- Prilikom uporabe proizvoda uvijek upotrebljavajte odobrenu osobnu zaštitnu opremu. Oprema za

osobnu zaštitu ne može u potpunosti spriječiti ozljede, no smanjuje stupanj ozljede u slučaju nezgode. Pri odabiru odgovarajuće opreme zatražite pomoć ovlaštenog trgovca.

- Upotrebljavajte odobrenu zaštitu sluha koja osigurava odgovarajuće prigušenje zvuka. Dugotrajno izlaganje buci može uzrokovati trajne povrede sluha.
- Koristite odobrenu zaštitu za oči. Ako nosite vizir, morate nositi i odobrene zaštitne naočale. Odobrene zaštitne naočale moraju ispunjavati standard ANSI Z87.1 za SAD ili EN 166 za države EU.



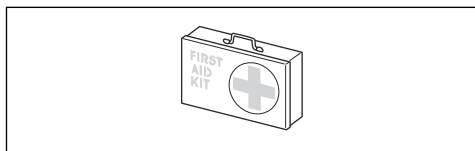
- Prema potrebi nosite rukavice, primjerice prilikom pričvršćenja, pregleda ili čišćenja rezne opreme.



- Nosite čvrste, protuklizne čizme ili cipele.



- Nosite odjeću napravljenu od čvrstog materijala. Uvijek nosite teške duge hlače i duge rukave. Nemojte nositi široku odjeću koja može zapinjati za grane i prutove. Nemojte nositi nakit, kratke hlače, sandale ili biti bos. Kosu podignite iznad ramena.
- Imajte u blizini pribor za prvu pomoć.



Sigurnosne upute za proizvod

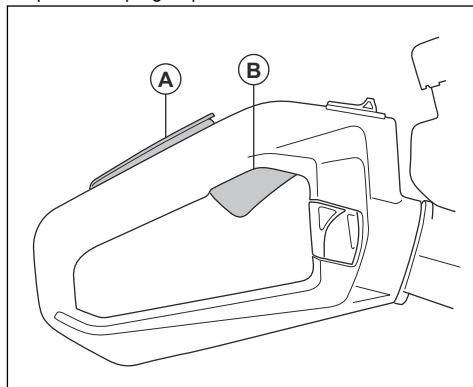


UPOZORENJE: Prije korištenja proizvoda pročitajte upozoravajuće upute u nastavku.

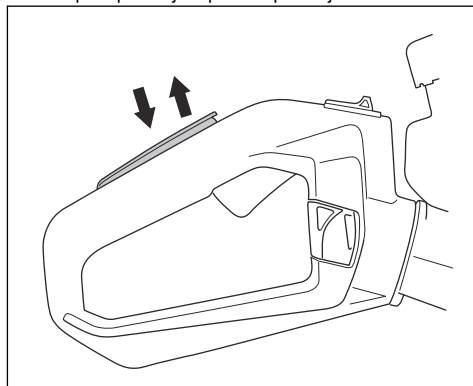
- Nemojte koristiti proizvod s oštećenim zaštitnim uređajima.
- Redovito pregledavajte sigurnosne uređaje. Ako su sigurnosni uređaji neispravni, obratite se McCULLOCH ovlaštenom trgovcu.

Provjera blokade regulatora gasa

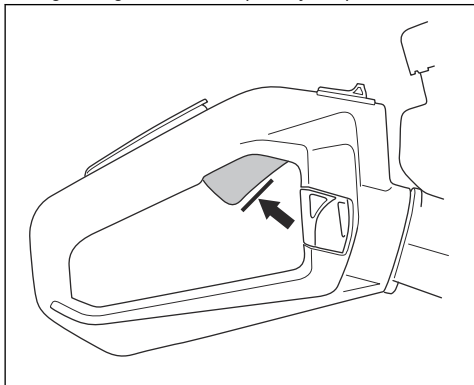
1. Provjerite kreću li se slobodno blokada regulatora gasa (A) i regulator gasa (B) te funkcionira li povratna opruga ispravno.



2. Pritisnite blokadu regulatora gasa pa provjerite vraća li se po otpuštanju u početni položaj.



3. Otpustite blokadu regulatora gasa i provjerite da je regulator gasa blokiran u položaju za prazan hod.



4. Pokrenite motor i dajte pun gas.
5. Otpustite regulator gasa i provjerite jesu li se noževi u potpunosti zaustavili.



UPOZORENJE: Ako se noževi okreću kada se regulator gasa nalazi u položaju za prazan hod, prilagodite broj okretaja u praznom hodu. Pročitajte odjeljak *Podešavanje broja okretaja u praznom hodu na stranici 307.*

Provjera sklopke za zaustavljanje

1. Pokrenite motor.
2. Sklopku za zaustavljanje gurnite u položaj za zaustavljanje i provjerite zaustavlja li se motor.



UPOZORENJE: Prekidač za zaustavljanje automatski se vraća u položaj za pokretanje. Da biste pri sastavljanju ili održavanju proizvoda spriječili nehotično pokretanje, sa svjeće skinite lulicu svjeće.

Provjera štitnika za ruku

Štitnik za ruku sprječava ozljede oštricama.

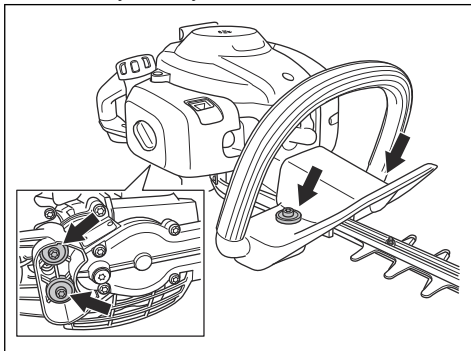
1. Zaustavite motor.
2. Štitnik za ruku mora biti pravilno pričvršćen.
3. Provjerite ima li štitniku za ruku oštećenja.

Provjera sustava za smanjenje vibracija

Sustav za smanjivanje vibracija smanjuje vibracije ručki. Jedinice za ublažavanje vibracija funkcioniraju kao tampon između tijela proizvoda i jedinice ručke.

1. Vizualno potražite izobličenja i oštećenja.

2. Provjerite jesu li ispravno pričvršćene jedinice za ublažavanje vibracija.



Provjera prigušivača



UPOZORENJE: Ovaj proizvod nemojte upotrebljavati bez prigušivača ili s neispravnim prigušivačem. Neispravni prigušivač može povećati razinu buke i opasnost od požara. Proizvod nemojte upotrebljavati ako je mrežica za hvatanje iskri oštećena ili ako ne postoji. Ako je mrežica za hvatanje iskri oštećena, morate je zamijeniti.



UPOZORENJE: Korišteni prigušivač ili hvatač iskri može sadržavati kancerogene čestice nastale sagorijevanjem. Upotrebljavajte zaštitne rukavice i vršite održavanje u dobro prozračenom okruženju kako biste izbjegli kontakt s kožom ili udisanje kancerogenih čestica. Hvatač iskri nemojte čistiti komprimiranim zrakom. Za čišćenje mhvatača iskri koristite žičanu četku i čistite od tijela.



UPOZORENJE: Prigušivači se jako zagrijavaju tijekom i nakon rada, također i u praznom hodu.



OPREZ: Ako se mrežica za hvatanje iskri često začepljuje, to može biti znak smanjene učinkovitosti katalizatora. Za pregled prigušivača obratite se distributeru. Začepljena mrežica za hvatanje iskri izazvat će pregrijavanje i rezultirati oštećenjem cilindra i klipa.

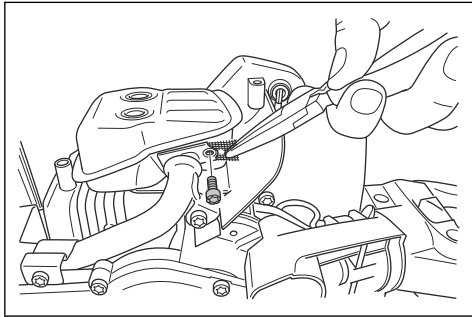


UPOZORENJE: Unutarnje površine prigušivača obložene su kancerogenim kemikalijama. Budite pažljivi i nemojte

dodirivati te dijelove na oštećenom prigušivaču.

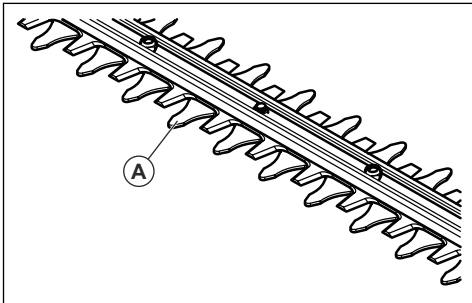
Prigušivač razinu buke održava na minimumu i ispušne plinove usmjerava dalje od rukovatelja. Prigušivač s katalizatorom smanjuje količinu štetnih ispušnih plinova.

1. Zaustavite motor.
2. Vizualno potražite oštećenja i izobličenja.
3. Provjerite pravilnu pričvršćenost prigušivača za proizvod.
4. Žičanom četkom očistite mrežicu za hvatanje iskri.



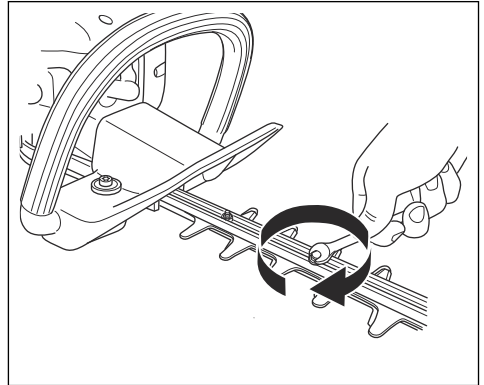
Provjera noževa i štitnika noževa

Vanjski rubovi noževa (A) funkcioniraju kao štitnik noževa. Štitnik noža sprječava slučajan kontakt rukovatelja s nožem.



1. Zaustavite motor i uvjerite se da se rezna jedinica zaustavila.
2. Skinite lulicu svjeće sa svjeće.
3. Navucite zaštitne rukavice.
4. Provjerite da nož i štitnik noža nisu oštećeni ni savijeni. Uvijek zamijenite oštećeni ili savijeni nož.

5. Pobrinite se da su vijci pričvršćeni na reznu jedinicu. Vijke zategnite na zakretni moment od 7 do 10 Nm.



Sigurnost pri rukovanju s gorivom



UPOZORENJE: Prije korištenja proizvoda pročitajte upozoravajuće upute u nastavku.

- Nemojte pokretati proizvod ako u njemu ima goriva ili motornog ulja. Uklonite neželjeno gorivo/ulje i pričekajte na sušenje proizvoda.
- Ako gorivo proljeće po odjeći, odmah ju zamijenite.
- Gorivu nemojte dopustiti kontakt s tijelom jer može uzrokovati ozljede. Ako dođe do kontakta goriva s tijelom, sapunom i vodom isperite gorivo.
- Nemojte pokretati proizvod ako motor propušta. Redovito pregledavajte ima li na motoru propuštanja.
- Budite pažljivo s gorivom. Gorivo je zapaljivo, a pare su eksplozivne i mogu uzrokovati ozljede i smrt.
- Nemojte udisati pare goriva, one mogu uzrokovati ozljede. Osigurajte dovoljan protok zraka.
- U blizini goriva ili motora nemojte pušiti.
- U blizini goriva ili motora nemojte stavljati vruće predmete.
- Nemojte ulijevati gorivo kada je motor uključen.
- Prije ulijevanja goriva provjerite je li motor hladan.
- Prije ulijevanja goriva polako otvorite čep spremnika goriva i pažljivo ispusite tlak.
- Nemojte ulijevati gorivo u motor u zatvorenom prostoru. Nedovoljan protok zraka može uzrokovati ozljede ili smrt zbog gušenja ili trovanja ugljičnim monoksidom.
- Potpuno zategnite čep spremnika za gorivo. Ako čep spremnika za gorivo nije zategnut, postoji opasnost od požara.
- Prije pokretanja proizvod odmaknite najmanje 3 m / 10' od mjesta punjenja spremnika.
- Spremnik za gorivo nemojte puniti do kraja. Zagrijavanje uzrokuje širenje goriva. Ostavite mjesta pri vrhu spremnika za gorivo.

Sigurnosne upute za održavanje



UPOZORENJE: Prije upotrebe proizvoda pročitajte upozoravajuće upute u nastavku.

- Zaustavite motor i provjerite je li se rezna oprema zaustavila. Prije održavanja pričekajte da se proizvod ohladi.
- Odvojite lulicu svječiće prije provođenja održavanja.
- Ispušni plinovi iz motora sadrže ugljikov monoksid, vrlo opasan otrovni plin bez mirisa koji može uzrokovati smrt. Proizvod nemojte pogoniti u zatvorenom ili uskom prostoru.
- Ispušne pare motora vruće su i mogu sadržavati vruće iskre. Proizvod nemojte pogoniti u zatvorenom prostoru ili u blizini zapaljivog materijala.

- Dodaci i izmjene proizvoda bez odobrenja proizvođača mogu uzrokovati ozbiljne ozljede ili smrt. Nemojte mijenjati proizvod. Obavezno upotrebljavajte originalne dodatke.
- Ako se održavanje ne provodi ispravno i redovno, povećava se opasnost od ozljede i oštećenja proizvoda.
- Održavanje provodite samo prema preporukama iz korisničkog priručnika. Sva druga servisiranja prepustite ovlaštenom serviseru tvrtke McCULLOCH.
- Redovno servisirajte proizvod kod ovlaštenog servisera tvrtke McCULLOCH.
- Zamijenite oštećene, istrošene ili polomljene dijelove.

Rad

Uvod



UPOZORENJE: Prije upotrebe proizvoda pročitajte i usvojite poglavlje o sigurnosti.

Gorivo

Proizvod ima dvotaktni motor.



OPREZ: Neispravna vrsta goriva može uzrokovati oštećenje motora. Upotrebljavajte mješavinu benzina i ulja za dvotaktne motore.

Ulje za dvotaktne motore

- Za najbolje rezultate i performanse upotrebljavajte McCULLOCH ulje za dvotaktne motore.
- Ako ulje za dvotaktne motore tvrtke McCULLOCH nije dostupno, upotrijebite neko drugo ulje za dvotaktne motore dobre kvalitete za motore sa zračnim hlađenjem. O odabiru ispravne vrste ulja razgovarajte sa svojim servisnim zastupnikom.



OPREZ: Ne upotrebljavajte ulje za dvotaktne vanbrodske motore hlađene vodom, poznato još i kao ulje za vanbrodske motore. Nemojte upotrebljavati ulje za četverotaktne motore.

Prethodno izmiješano gorivo

- Upotrebljavajte McCULLOCH prethodno izmiješano alkilatno gorivo za najbolje performanse motora i produljenje njegova životnog vijeka. To gorivo sadrži manje štetnih kemikalija u usporedbi s uobičajenim gorivom koje sadržava štetne ispušne plinove. Količina ostataka nakon sagorijevanja manja je s ovim gorivom, što komponente motora održava čistima.

Miješanje goriva

Benzin

- Upotrebljavajte kvalitetni bezolovni benzin s maksimalnim udjelom etanola od 10 %.



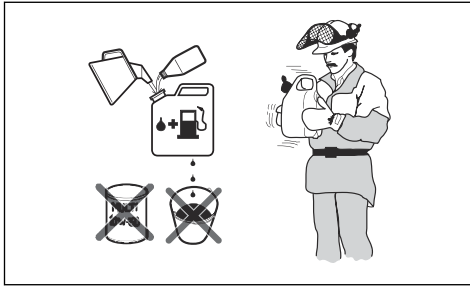
OPREZ: Nemojte upotrebljavati benzin s oktanskim brojem manjim od 90 RON / 87 AKI. Upotreba nižeg oktanskog broja može prouzročiti lupanje u motoru, što izaziva oštećenja motora.

Miješanje benzina i ulja za dvotaktne motore

Benzin, litra	Ulje za dvotaktne motore, litra
	2 % (50:1)
5	0,10
10	0,20
15	0,30
20	0,40



OPREZ: Čak i male pogreške mogu drastično utjecati na omjer mješavine kada miješate manje količine goriva. Pažljivo izmjerite količinu ulja kako biste bili sigurni da ćete dobiti ispravnu mješavinu.



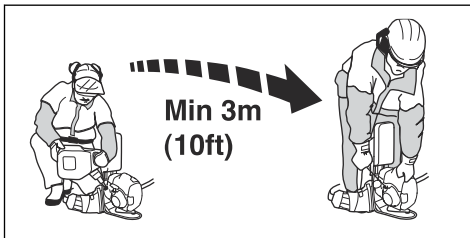
1. Polovicu količine benzina ulijte u čisti spremnik za gorivo.
2. Ulijte cijelu količinu ulja.
3. Promiješajte mješavinu goriva.
4. Ulijte preostalu količinu benzina u spremnik.
5. Pažljivo promiješajte mješavinu goriva.



OPREZ: Gorivo ne miješajte za razdoblje dulje od 1 mjeseca.

Punjenje spremnika za gorivo

1. Očistite područje oko čepa spremnika za gorivo.
2. Protresite spremnik i provjerite je li gorivo u potpunosti izmiješano. Upotrebljavajte spremnik za gorivo s ventilom za sprječavanje izlijevanja.
3. Uklonite čep spremnika za gorivo.
4. Napunite spremnik za gorivo.
5. Pažljivo pritegnite čep spremnika za gorivo.
6. Prije pokretanja proizvod odmaknite najmanje 3 m (10') od područja nadolijevanja goriva.

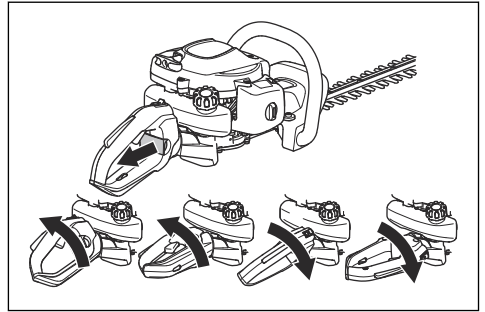


OPREZ: Nečistoće u spremniku za gorivo uzrokuju kvarove. Redovito čistite spremnik za gorivo i spremnik ulja za lanac, a jedanput godišnje ili češće zamijenite filter za gorivo.

Prilagodba ručke (ERGOLITE 6028)

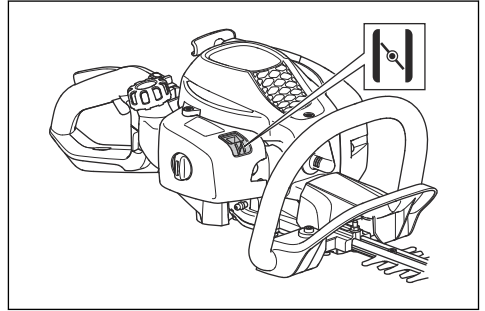
Stražnja se ručka može podesiti u pet različitih položaja.

- Otpustite blokadu ručke i okrenite ručku.



Pokretanje proizvoda s hladnim motorom

1. Regulator čoka pomaknite u položaj za čok.



2. Otprilike šest puta pritisnite čašicu pumpice za gorivo ili dok se čašica ne počne puniti gorivom. Nije neophodno do kraja napuniti čašicu pumpice za gorivo.
3. Kućište proizvoda lijevom rukom pritisnite uz tlo. Nemojte nagaziti na proizvod.
4. Ručicu užeta pokretača povlačite polako desnom rukom dok ne osjetite otpor, a potom je povucite brzo i snažno.



UPOZORENJE: Nikad ne omotavajte užu za paljenje oko ruke.



OPREZ: Ne rastežite u potpunosti užu pokretača i ne puštajte ručicu užeta pokretača.

5. Nastavite povlačiti ručicu užeta pokretača dok se motor ne pokrene, a zatim gurnite regulator čoka u prvotni položaj.



UPOZORENJE: Noževi se okreću kada se motor pokrene.

6. Nastavite povlačiti ručicu užeta pokretača dok se motori ne zaustave.

- Gurnite i otpustite regulator gasa da biste za motor postavili broj okretaja u praznom hodu.
- Postupno gurajte regulator gasa kako biste povećali broj okretaja motora.
- Pogon motora mora biti ugladen.

Pokretanje proizvoda s toplim motorom

- Kućište proizvoda lijevom rukom pritisnite uz tlo. Nemojte nagaziti na proizvod.
- Ručicu uzeta pokretača povlačite polako desnom rukom dok ne osjetite otpor, a potom je povucite brzo i snažno. Ponavljajte radnju dok se motor ne pokrene.

Napomena: Dodatne informacije o pokretanju proizvoda potražite u odjeljku *Pokretanje proizvoda s hladnim motorom na stranici 305.*

Zaustavljanje proizvoda

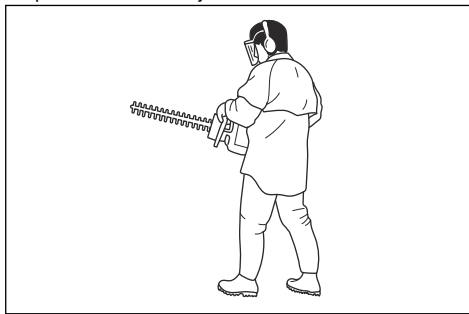
- Za zaustavljanje motora pomaknite prekidač za zaustavljanje u položaj za zaustavljanje.



OPREZ: Prekidač za zaustavljanje automatski se vraća u položaj za pokretanje.

Rad s proizvodom

- Pri rezanju bočnih strana započnite u blizini tla i pomičite proizvod uz živicu. Pazite da tijelo ovog proizvoda ne dodiruje živicu.



UPOZORENJE: Pobrinite se da prednji dio rezne opreme ne dodiruje tlo.

- Brzinu prilagodite radnom opterećenju.
- Proizvod držite blizu tijela kako biste ostvarili stabilan radni položaj.
- Budite oprezni i polako se koristite ovim proizvodom.

Održavanje

Uvod



UPOZORENJE: Prije održavanja proizvoda pročitajte i usvojite sigurnosno poglavlje.

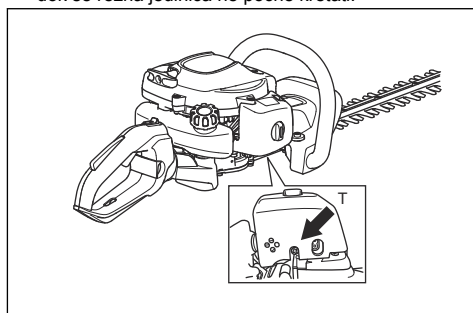
Raspored održavanja

Održavanje	Prije rada	Nakon 40 sati	Nakon 100 sati
Očistite vanjsku površinu.		Poslije svake upotrebe.	
Očistite prigušivač, ispušnu cijev i motor od lišća, prljavštine i viška maziva.		Poslije svake upotrebe.	
Pobrinite se da se rezna jedinica ne okreće u praznom hodu.	X		
Provjerite prekidač za zaustavljanje. Pogledajte <i>Provjera sklopke za zaustavljanje na stranici 302.</i>	X		
Uvjerite se da rezna jedinica nije oštećena ni napuknuta. Ako su oštećeni, zamijenite ih.	X		
Pregledajte ima li na štitniku za ruke oštećenja ili pukotina. Ako su oštećeni, zamijenite ih.	X		
Provjerite blokadu regulatora gasa i regulator gasa. Pogledajte <i>Provjera blokade regulatora gasa na stranici 301.</i>	X		
Provjerite da nema curenja na motoru, spremniku goriva ni vodovima za gorivo.	X		

Održavanje	Prije rada	Nakon 40 sati	Nakon 100 sati
Zategnite matice i vijke.	X		
Očistite ili zamijenite mrežicu za hvatanje iskri na prigušivaču. Pogledajte <i>Provjerite prigušivača na stranici 302.</i>		X	
Provjerite ima li oštećenja na pokretaču ili užetu pokretača.		X	
Provjerite jesu li vijci koji drže noževe pravilno zategnuti.		X	
Očistite filtar zraka. Čišćenje provodite češće ako proizvod upotrebljavate na područjima s prašinom. Ako su oštećeni, zamijenite ih.		X	
Pregledajte ima li oštećenja i pukotina na jedinicama za ublažavanje vibracija. Ako su oštećeni, zamijenite ih.		X	
Očistite vanjsku površinu svjeće i okolno područje. Uklonite svjećicu i izmjerite razmak elektroda. Prilagodite razmak elektroda ili zamijenite svjećicu. Pogledajte <i>Pregled svjećice na stranici 308.</i>		X	
Očistite sustav za hlađenje.		X	
Očistite vanjsku površinu rasplinjača i prostor oko njega.		X	
Provjerite čistoću filtra za gorivo te ima li na crijevu za gorivo pukotina ili drugih oštećenja. Ako su oštećeni, zamijenite ih.			X
Očistite mrežicu za hvatanje iskri na prigušivaču ili je zamijenite ako je oštećena.			X
Očistite unutarnje površine spremnika za gorivo.			X
Promijenite svjećicu.			X
Provjerite istrošenost spojke, opruge spojke i bubnja spojke. Ako su oštećene, zamijenite ih kod ovlaštenog servisnog distributera.			X
Pobrinite se da je kućište mjenjača napunjeno mazivom.			X
Pregledajte žice i priključke.			X

Podešavanje broja okretaja u praznom hodu

- Očistite filtar za zrak i poklopac filtra za zrak.
- Pokrenite proizvod. Pročitajte odjeljak *Pokretanje proizvoda s hladnim motorom na stranici 305.*
- Vijak T za podešavanje broja okretaja u praznom hodu okrećite u smjeru kretanja kazaljke na satu sve dok se rezna jedinica ne počne kretati.



- Vijak za podešavanje broja okretaja u praznom hodu okrećite u smjeru suprotnom od kretanja kazaljke na satu sve dok se rezna jedinica ne zaustavi.

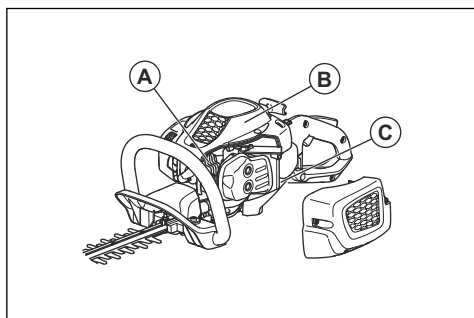


UPOZORENJE: Ako se rezna jedinica ne zaustavi nakon što ste podesili broj okretaja u praznom hodu, obratite se najbližem servisnom zastupniku. Proizvod ne upotrebljavajte dok nije pravilno podešen ili popravljen.

Napomena: Broj okretaja motora u praznom hodu ispravan je kada motor radi ugladeno u svim položajima. Preporučeni broj okretaja u praznom hodu potražite pod *Tehnički podaci na stranici 311.*

Čišćenje rashladnog sustava

Rashladni sustav održava temperaturu motora niskom. Rashladni sustav obuhvaća rashladna rebra na cilindru (A), poklopac cilindra (B) i usis zraka kroz kućište (C).



OPREZ: Usis zraka između spremnika za gorivo i kućišta lako se može blokirati lišćem. U potpunosti očistite usis zraka.

1. Rashladni sustav čistite četkom jednom tjedno ili češće ako je to potrebno.
2. Pobrinite se da rashladni sustav nije prljav ili neprohodan.

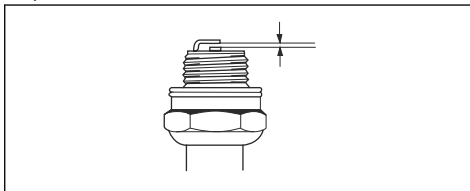
Pregled svjeće



OPREZ: Uvijek koristite preporučenu vrstu svjeće. Neodgovarajuća vrsta svjeće može oštetiti proizvod.

- Ako motor nema snage, teško se pokreće ili ne radi ispravno u praznom hodu, pregledajte svjeću.
- Za smanjenje opasnosti od nepoželjnog materijala na elektrodama svjeće pratite sljedeće upute:
 - a) Provjerite je li broj okretaja pri praznom hodu pravilno podešen.
 - b) Provjerite ispravnost mješavine goriva.
 - c) Provjerite je li filter zraka čist.

- Ako je svjeća prljava, očistite je i provjerite ispravnost zazora elektroda, pogledajte *Tehnički podaci na stranici 311.*

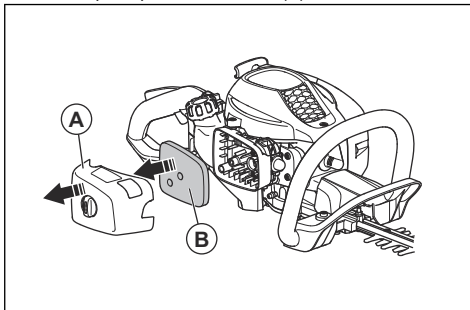


- Ako je potrebno, zamijenite svjeću.

Čišćenje filtra za zrak

Redovito čistite filter za zrak od prljavštine i prašine. Time sprječavate kvarove rasplinjača, probleme pri pokretanju, gubitak snage motora, trošenje dijelova motora i povećanu potrošnju goriva od uobičajene.

1. Skinite poklopac filtra za zrak (A).



2. Izvadite filter za zrak (B) iz kućišta filtra.
3. Očistite filter zraka toplom otopinom sredstva za čišćenje.



OPREZ: Dugo upotrebljavani filter zraka nije moguće u potpunosti očistiti. Redovito mijenjajte filter za zrak, a uvijek zamijenite neispravn filter za zrak.

4. Provjerite je li filter za zrak suh.
5. Nanesite ulje na filter za zrak. Pročitajte odjeljak *Nanošenje ulja na pjenasti filter za zrak na stranici 308.*
6. Očistite unutarnju površinu poklopca filtra za zrak (A). Upotrijebite komprimirani zrak ili četku.

Nanošenje ulja na pjenasti filter za zrak

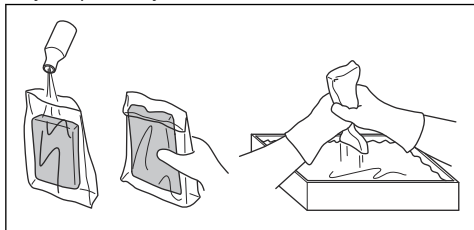


OPREZ: Uvijek upotrebljavajte specijalno ulje za filter za zrak McCULLOCH. Nemojte koristiti druge vrste ulja.



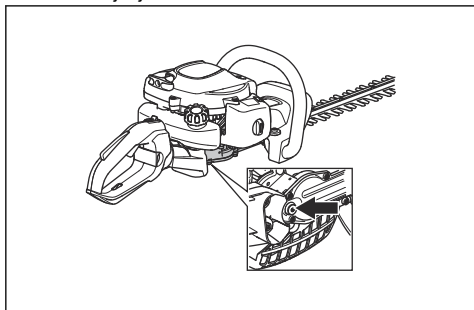
UPOZORENJE: Navucite zaštitne rukavice. Ulje za filter za zrak može iritirati kožu.

1. Pjenasti filter za zrak stavite u plastičnu vrećicu.
2. Uljite ulje u plastičnu vrećicu.
3. Protrljajte plastičnu vrećicu kako biste omogućili ravnomjeran raspored ulja u pjenastom filteru za zrak.
4. Izgurajte višak ulja iz pjenastog filtra za zrak dok je još u plastičnoj vrećici.



Podmazivanje kućišta mjenjača

- Koristite posebno mazivo poduzeća McCULLOCH. Za više informacija o preporučenoj masti razgovarajte sa svojim servisnim zastupnikom.
- Mazivo dodajte kroz poklopac za punjenje maziva na kućištu mjenjača.



OPREZ: Kućište mjenjača nemojte potpuno napuniti mazivom.

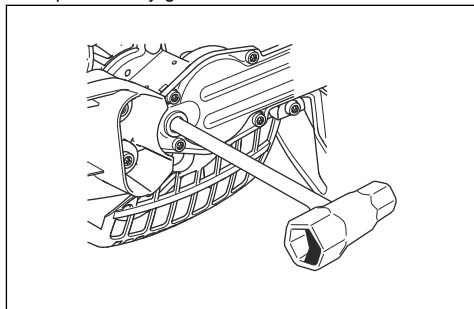
Čišćenje i podmazivanje noževa

1. Prije i nakon upotrebe proizvoda noževa od neželjenog materijala očistite sredstvom za čišćenje.
2. Podmažite noževe prije duljeg razdoblja skladištenja.

Napomena: Više informacija o preporučenim sredstvima za čišćenje i mazivima zatražite od servisnog zastupnika.

Pregled noževa

1. Skinite poklopac za punjenje maziva s kućišta mjenjača.
2. Provjerite pomiču li se noževi neometano. Kombinirani viličasti ključ stavite u kućište mjenjača pa ga okrećite u smjeru kretanja kazaljke na satu i suprotno od njega.



3. Pregledajte jesu li noževi oštećeni ili deformirani.
4. Turpijom uklonite neravnine s noževa.

Rješavanje problema

Rješavanje problema

Motor se ne pokreće		
Problem	Mogući uzrok	Preporučeni korak
Startne kopče	Startne kopče ne mogu se slobodno pomicati.	Podesite ili zamijenite startne kopče.
		Očistite područje oko startnih kopči.
		Obratite se ovlaštenom servisnom zastupniku.
Spremnik za gorivo	Nepravilna vrsta goriva.	Ispraznite i upotrijebite odgovarajuće gorivo.

Motor se ne pokreće		
Problem	Mogući uzrok	Preporučeni korak
Rasplinjač	Netočan broj okretaja u praznom hodu.	Prilagodite broj okretaja u praznom hodu.
Nema svjeće	Svjećica je prljava ili mokra.	Provjerite je li svjećica suha i čista.
	Nepravilan zazor elektroda.	Očistite svjećicu. Provjerite je li zazor elektroda na svjećici pravilan. Provjerite ima li svjećica prigušivač.
		Pravilan zazor elektroda potražite u odjeljku <i>Tehnički podaci na stranici 311.</i>
Svjećica	Svjećica nije zategnuta.	Zategnite svjećicu.

Motor se pokreće, no potom zaustavlja		
Problem	Mogući uzrok	Preporučeni korak
Spremnik za gorivo	Nepravilna vrsta goriva.	Ispraznite i upotrijebite odgovarajuće gorivo.
Rasplinjač	Netočan broj okretaja u praznom hodu.	Prilagodite broj okretaja u praznom hodu. Pročitajte odjeljak <i>Podešavanje broja okretaja u praznom hodu na stranici 307.</i> Po potrebi obratite se servisnom zastupniku.
Filtar za zrak	Začepljen filtari za zrak.	Očistite filtari za zrak.

Nož		
Problem	Mogući uzroci	Preporučeni korak
Nož se okreće sporo ili se ne okreće uopće.	Nož je blokiran ili oštećen.	Očistite nepoželjni materijal s noževa. Pročitajte odjeljak <i>Čišćenje i podmazivanje noževa na stranici 309.</i> Uklonite neravnine s noževa. Pročitajte odjeljak <i>Pregled noževa na stranici 309.</i> Zamijenite nož ako je oštećen.
Nož ima poteškoća prilikom košnje.	Nož nije oštar ili je oštećen.	Naoštrite nož. Pročitajte odjeljak <i>Pregled noževa na stranici 309.</i> Zamijenite nož ako je oštećen.
Nož se jako zagrijava.	Između noževa dolazi do trenja.	Uklonite neravnine s noža i podmažite ga. Pročitajte odjeljak <i>Pregled noževa na stranici 309.</i>

Prijevoz, spremanje i zbrinjavanje

Prijevoz i skladištenje

- Prije nego što pospremite ovaj proizvod, uvijek ga pustite da se ohladi.
- Za prijevoz i skladištenje proizvoda i goriva uvjerite se kako nema propuštanja ili isparavanja. Iskre ili otvoren plamen, primjerice od električnih uređaja ili bojlera, mogu uzrokovati požar.

- Za prijevoz i skladištenje goriva obavezno upotrebljavajte odobrene spremnike.
- Izlijte gorivo prije prijevoza ili prije dugotrajnog skladištenja. Zbrinite gorivo na prikladnoj lokaciji za zbrinjavanje.
- Za transport i skladištenje postavite prijenosni štitnik.
- Skinite lulicu svjećice sa svjećice.

- Pričvrstite proizvod tijekom transporta. Spriječite njegovo pomicanje.
- Prije dugotrajnog skladištenja očistite i servisirajte proizvod.
- Sve kemikalije, primjerice motorno ulje ili gorivo, odložite u servisnom centru ili na prikladnoj lokaciji za odlaganje.
- Odložite proizvod na odobrenoj lokaciji za odlaganje ili pošaljite tvrtki McCULLOCH.

Odlaganje

- Poštujte lokalne zahtjeve i važeće propise.

Tehnički podaci

Tehnički podaci

Tehnički podaci	SUPERLITE 4528	ERGOLITE 6028
Motor		
Zapremnina cilindra, cm ³	21,7	21,7
Broj okretaja u praznom hodu, o/min	2800	2800
Preporučeni maks. broj okretaja, o/min	9000	9000
Maksimalna snaga motora prema normi ISO 8893, kW pri o/min	0,6/7800	0,6/7800
Prigušivač s katalizatorom	Da	Da
Sustav paljenja		
Svjećica	HQT-4 672201	HQT-4 672201
Razmak elektroda, mm	0,5	0,5
Gorivo		
Zapremnina spremnika za gorivo, l	0,3	0,3
Težina		
Težina, kg	4,8	5,0
Emisije buke ⁵⁵		
Razina jačine zvuka, mjerena u dB (A)	100	100
Razina jačine zvuka, zajamčena L _{WA} dB (A)	101	101
Jačina zvuka ⁵⁶		
Ekvivalentne razine tlaka zvuka na uhu rukovatelja izmjerene u skladu s EN ISO 10517, dB(A)	93	93
Razine vibracije ⁵⁷		
Ekvivalentne razine vibracija (a _{hν,eq}) na ručkama izmjerene u skladu s EN ISO 10517, m/s ² :		

⁵⁵ Emisije buke u okoliš izmjerene kao jakost zvuka (L_{WA}) u skladu s Direktivom EZ 2000/14/EC. Navedena razina jakosti zvuka proizvoda izmjerena je originalnim reznim nastavkom koji daje najveću razinu. Razlika između zajamčene i izmjerene razine zvuka jest da zajamčena razina uključuje i raspršenje rezultata mjerenja i varijacije između različitih proizvoda istog modela u skladu s Direktivom 2000/14/EZ.

⁵⁶ Navedeni podaci za razinu pritiska zvuka uključuju tipično statističko raspršenje (standardno odstupanje) od 1 dB (A).

⁵⁷ Podaci o razini vibracije pokazuju tipičnu statističku disperziju (standardnu devijaciju) od 1 m/s².

Tehnički podaci	SUPERLITE 4528	ERGOLITE 6028
Sprijeđa / otraga, mm/s ²	3,5/4,4	4,1/5,2
Noževi		
Vrsta	Dvostrani	Dvostrani
Duljina rezanja, mm	450	590
Brzina rezanja, rezova/min	4050	4050

Izjava o sukladnosti EC

Izjava o sukladnosti za EU

Mi, **Husqvarna AB**, SE-561 82 Huskvarna, Švedska, tel.:
+46-36-146500, pod punom odgovornošću izjavljujemo
da proizvod:

Opis	Škare za živicu
Marka	McCULLOCH
Vrsta/Model	SUPERLITE 4528, ERGOLITE 6028
Identifikacija	Serijski brojevi iz 2022 i noviji

u potpunosti su sukladni sljedećim EU direktivama i
propisima:

Propis	Opis
2006/42/EC	„o strojevima“
2014/30/EU	„o elektromagnetskoj kompatibilnosti“
2000/14/EC	„koji se odnosi na emisije buke u okoliš, dodatak V“
2011/65/EU	„o ograničenoj upotrebi određenih opasnih tvari u električnoj i elektroničkoj opremi“

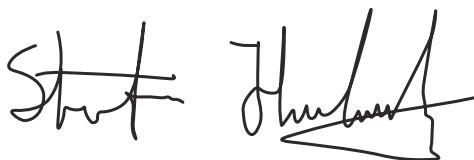
i primjenjuju se sljedeće norme i/ili tehničke
specifikacije: EN ISO 12100:2010, EN ISO 10517:2019,
EN IEC 63000:2018, EN ISO 14982:2009.

Prijavljeno tijelo: Organizacija RISE SMP Svensk
Maskinprovning AB, Box 7035, SE-750 07 Uppsala,
Sweden provela je dobrovoljno ispitivanje za tvrtku
Husqvarna AB.

Broj certifikacije: SEC/11/2327

Informacije o emisiji buke potražite u odjeljku *Tehnički
podaci na stranici 311.*

Huskvarna, 2022-02-15



Stefan Holmberg, globalni menadžer odjela za ručne
uređaje, globalni menadžer laboratorija uslužnog odjela
za ručne uređaje, Husqvarna AB

Odgovorna osoba za tehničku dokumentaciju

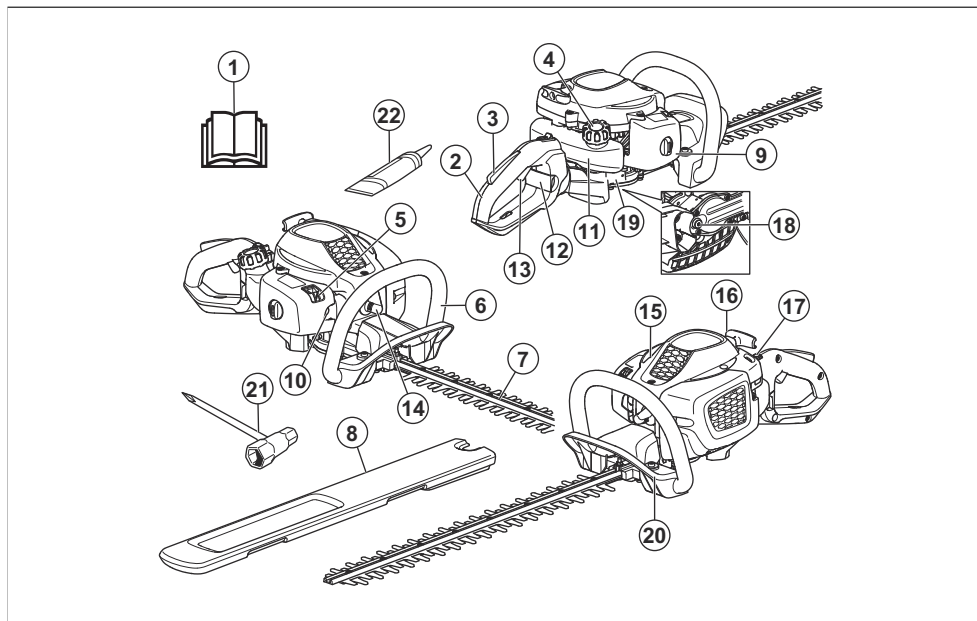


Содержание

Введение.....	314	Поиск и устранение неисправностей.....	327
Безопасность.....	315	Транспортировка, хранение и утилизация.....	328
Эксплуатация.....	321	Технические данные.....	329
Техническое обслуживание.....	324	Декларация соответствия ЕС.....	331

Введение

Обзор изделия



1. Руководство по эксплуатации
2. Задняя рукоятка
3. Стопор дроссельного регулятора
4. Крышка топливного бака
5. Рычажок воздушной заслонки
6. Передняя рукоятка
7. Нож и кожух ножа
8. Транспортировочная защита
9. Крышка воздушного фильтра
10. Праймер
11. Топливный бак
12. Фиксатор рукоятки (ErgoLite)
13. Дроссельный регулятор
14. Колпачок и свеча зажигания
15. Крышка цилиндра
16. Ручка шнура стартера

17. Выключатель
18. Заглушка отверстия для смазки
19. Картер редуктора
20. Щиток для рук
21. Комбинированный ключ
22. Тюбик смазки

Описание изделия

Изделие представляет собой триммер для живой изгороди с двигателем внутреннего сгорания.

Назначение

Изделие предназначено для обрезки веток разных диаметров. Запрещается использовать изделие для других видов работ.

Условные обозначения на изделии



ПРЕДУПРЕЖДЕНИЕ! Изделие может представлять опасность и стать причиной тяжелой травмы или смерти оператора или окружающих. Соблюдайте осторожность и правила эксплуатации изделия.



Перед началом работы внимательно прочитайте руководство по эксплуатации и убедитесь, что понимаете приведенные в нем инструкции.



Используйте одобренные средства защиты глаз и органов слуха.



Используйте проверенные защитные перчатки.



Надевайте прочные нескользкие ботинки.



Груша нагнетателя.



Воздушная заслонка.



Фиксатор регулировки рукоятки.



Топливо.



Эмиссия шума в окружающую среду согласно Директиве Европейского союза 2000/14/ЕС и законодательству Нового Южного Уэльса "Регламент 2017 года по защите окружающей среды (контроль уровня шума)". Данные об эмиссии шума приведены на паспортной табличке агрегата и в разделе "Технические данные".



Изделие соответствует действующим директивам ЕС.

yyyywwxxxx

Паспортная табличка с указанием серийного номера. **yyyy** означает год производства, **ww** — производственную неделю.

Примечание: Другие символы/наклейки на изделии относятся к специальным требованиям сертификации на определенных рынках.

Соответствие уровня токсичных выбросов стандарту Euro V



ПРЕДУПРЕЖДЕНИЕ: В случае вмешательства в работу двигателя данное изделие перестанет соответствовать нормативам ЕС.

Безопасность

Инструкции по технике безопасности

Предупреждения, предостережения и примечания используются для выделения особо важных пунктов руководства.



ПРЕДУПРЕЖДЕНИЕ:

Используется, когда несоблюдение инструкций руководства может привести к травмам или смерти оператора или находящихся рядом посторонних лиц.



ВНИМАНИЕ: Используется, когда несоблюдение инструкций руководства

может привести к повреждению изделия, других материалов или прилегающей территории.

Примечание: Используется для предоставления дополнительных сведений о конкретной ситуации.

Общие инструкции по технике безопасности



ПРЕДУПРЕЖДЕНИЕ: В обязательном порядке прочитайте следующие инструкции по технике безопасности, прежде чем приступить к эксплуатации изделия.

- Неправильное или небрежное использование изделия может превратить его в опасный инструмент, который может привести к серьезной и даже смертельной травме. Поэтому крайне важно внимательно прочитать и полностью понять инструкции в настоящем руководстве по эксплуатации.
- Во время работы данное изделие создает электромагнитное поле. В определенных обстоятельствах это поле может создавать помехи для пассивных и активных медицинских имплантатов. В целях снижения риска серьезной или смертельной травмы лицам с медицинскими имплантатами рекомендуется проконсультироваться с врачом и изготовителем имплантата, прежде чем приступить к эксплуатации данного изделия.
- Длительное воздействие вибрации может привести к нарушению кровообращения или расстройствам нервной системы у людей с нарушенным кровообращением. В случае появления симптомов чрезмерного воздействия вибрации следует обратиться к врачу. К таким симптомам относятся онемение, потеря чувствительности, ощущение щекотки и покалывания, боли, потеря силы или слабость, изменение цвета или состояния кожи. Как правило, подобные симптомы проявляются в пальцах, кистях или запястьях. При низкой температуре риск увеличивается.
- Использованные глушитель и искрогаситель могут содержать канцерогенные частицы, образующиеся при сгорании. При работе с глушителем или искрогасителем избегайте контакта с этими веществами. Перед началом работы с глушителем или искрогасителем ознакомьтесь с инструкциями в разделе *Проверка глушителя на стр. 319*.
- Если вы чувствуете неуверенность относительно дальнейшей работы с изделием, обратитесь за консультацией к специалисту. Свяжитесь с дилером или сервисным центром. Не пытайтесь решить какую-либо задачу, если считаете, что она находится за пределами ваших возможностей.
- Помните: оператор несет ответственность за аварии или опасные ситуации, угрожающие другим людям или их имуществу.
- Запрещается допускать к использованию изделия посторонних лиц, не убедившись сначала в том,

что они прочли и поняли содержание руководства по эксплуатации.

- Никогда не позволяйте детям пользоваться изделием или находиться рядом с ним. Изделие оснащено выключателем с пружинным возвратом, поэтому для его запуска достаточно плавно вытянуть ручку стартера, с чем в определенных обстоятельствах могут справиться даже маленькие дети. Это создает риск получения тяжелых травм. Поэтому всегда снимайте колпачок свечи зажигания, если оставляете изделие без присмотра.
- Храните изделие в недоступном для детей месте.
- Работа с изделием лиц в состоянии усталости или алкогольного опьянения, а также лиц, принимающих лекарства, воздействующие на зрение, реакцию или координацию, не допускается.
- Запрещается пользоваться изделием при наличии неисправностей. Регулярно проверяйте изделие и проводите техобслуживание в соответствии с инструкциями настоящего руководства. Определенные работы по ремонту и обслуживанию должны выполняться обученными и квалифицированными специалистами. См. инструкции в разделе "Техническое обслуживание".
- Запрещается пользоваться изделием, в конструкцию которого внесены какие-либо изменения.

Инструкции по технике безопасности во время эксплуатации



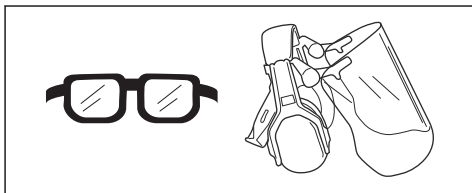
ПРЕДУПРЕЖДЕНИЕ: В обязательном порядке прочитайте следующие инструкции по технике безопасности, прежде чем приступить к эксплуатации изделия.

- Запрещается пользоваться изделием при неблагоприятных погодных условиях, таких как сильный холод, жара и/или влажность.
- Неисправные ножи могут повысить риск несчастных случаев.
- Следите за тем, чтобы во время работы в радиусе 15 м от изделия не было людей и животных.
- Осмотрите зону вокруг себя и убедитесь, что люди или животные не могут оказаться в опасной зоне режущего оборудования.
- Осмотрите рабочую зону. Уберите любые предметы, которые могут быть отброшены в сторону.
- Вы всегда должны находиться в надежном и устойчивом рабочем положении.
- Не оставляйте изделие с работающим двигателем без присмотра.

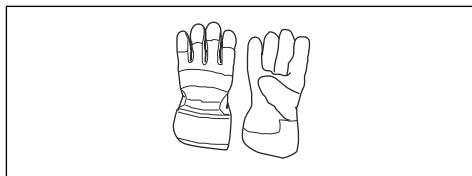
- Держите руки и ноги на безопасном расстоянии от режущего блока, когда двигатель работает.
- При застревании чего-либо между лезвиями во время работы отключите двигатель и подождите, пока он полностью остановится, прежде чем приступать к очистке лезвий. Снимите колпачок со свечи зажигания.
- После остановки двигателя держите руки и ноги на безопасном расстоянии от режущего блока до тех пор, пока он полностью не остановится.
- Следите за ветками, которые могут быть отброшены в сторону при пилении.
- При работе в защитных наушниках прислушивайтесь к предупреждающим сигналам или крикам. Снимайте наушники сразу после остановки двигателя.
- Ни в коем случае не работайте стоя на лестнице, стуле или любом другом незакрепленном предмете.
- Всегда держите изделие обеими руками. Всегда держите изделие перед собой.
- В случае столкновения изделия с посторонним предметом или возникновения вибрации незамедлительно остановите изделие. Снимите колпачок со свечи зажигания. Убедитесь в отсутствии повреждений изделия. При наличии повреждений выполните необходимый ремонт.
- Во избежание риска поражения электрическим током убедитесь, что колпачок свечи зажигания и провод зажигания не повреждены.
- Проверьте надежность затяжки всех гаек и винтов.
- Убедитесь, что редуктор смазывается надлежащим образом. См. *Смазка для картера редуктора на стр. 326*.
- Во время работы изделия редуктор нагревается. Во избежание ожогов не касайтесь редуктора.
- Перед началом работы все кожухи и крышки должны быть установлены на свои места.
- Если лезвия застревают, их можно ослабить при помощи комбинированного ключа, который нужно вставить в редуктор. Вставьте комбинированный ключ в редуктор и поверните его вперед и назад. См. *Смазка для картера редуктора на стр. 326*.
- Транспортная защита должна всегда закрывать режущий блок, когда изделие не используется.

индивидуальной защиты не могут полностью исключить риск получения травмы, но при несчастном случае они снижают тяжесть травмы. За помощью по правильному выбору оборудования обращайтесь к дилеру.

- Следует пользоваться одобренными защитными наушниками с достаточным уровнем подавления шума. Продолжительное воздействие шума может повлечь неизлечимое ухудшение слуха.
- Пользуйтесь проверенными средствами защиты глаз. При использовании защитной маски следует пользоваться также одобренными защитными очками. Под одобренными защитными очками подразумеваются очки, отвечающие требованиям стандарта ANSI Z87.1 для США или EN 166 для стран ЕС.



- При необходимости надевайте перчатки, например, при закреплении, проверке или очистке режущего оборудования.



- На время работы надевайте устойчивую, нескользящую обувь.



- Надевайте одежду из прочного материала. Всегда надевайте длинные прочные брюки и верхнюю одежду с длинными рукавами. Запрещается надевать свободную одежду, которая может зацепиться за ветви или кустарник. Не надевайте ювелирные украшения, шорты, сандалии и не ходите босиком. Зафиксируйте волосы выше уровня плеч.

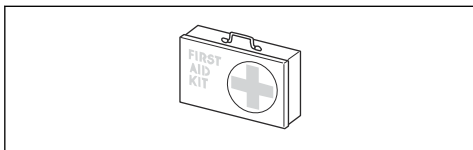
Средства индивидуальной защиты



ПРЕДУПРЕЖДЕНИЕ: В обязательном порядке прочитайте следующие инструкции по технике безопасности, прежде чем приступать к эксплуатации изделия.

- Каждый раз при работе с изделием следует использовать одобренные средства индивидуальной защиты. Средства

- Средства оказания первой помощи всегда должны быть под рукой.



Защитные устройства на изделии

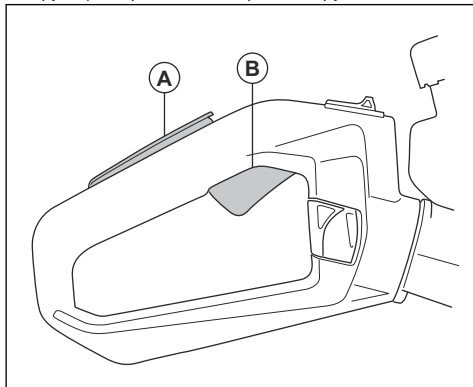


ПРЕДУПРЕЖДЕНИЕ: В обязательном порядке прочитайте следующие инструкции по технике безопасности, прежде чем приступить к эксплуатации изделия.

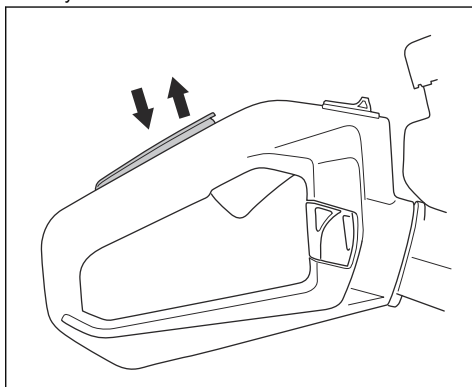
- Запрещается использовать изделие с неисправными защитными устройствами.
- Регулярно выполняйте проверку защитных устройств. Если защитные устройства неисправны, обратитесь в сервисный центр McCULLOCH.

Проверка стопора рычага дросселя

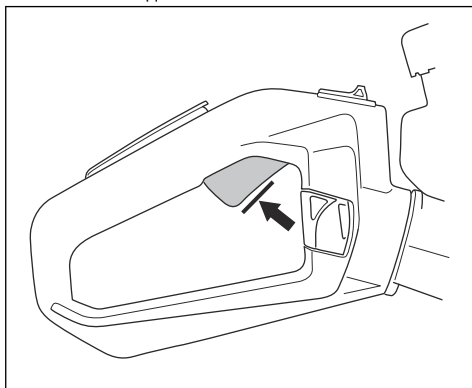
1. Проверьте плавность срабатывания рычага дросселя (В) и его стопора (А), а также функционирование возвратной пружины.



2. Нажмите на стопор рычага дросселя и убедитесь, что он возвращается в исходное положение при отпускании.



3. Отпустите стопор рычага дросселя и убедитесь, что рычаг дросселя заблокирован в положении холостого хода.



4. Запустите двигатель и полностью откройте дроссель.
5. Отпустите рычаг дросселя и убедитесь, что ножи полностью останавливаются.



ПРЕДУПРЕЖДЕНИЕ: Если ножи двигаются, когда рычаг дросселя находится в положении холостого хода, отрегулируйте холостой ход. См. раздел *Регулировка оборотов холостого хода* на стр. 325.

Проверка выключателя

1. Запустите двигатель.
2. Переведите выключатель в положение останова и убедитесь, что двигатель останавливается.



ПРЕДУПРЕЖДЕНИЕ:

Выключатель автоматически возвращается в исходное положение. Во избежание случайного запуска снимите крышку с свечи зажигания перед сборкой или техническим обслуживанием изделия.

Проверка щитка для рук

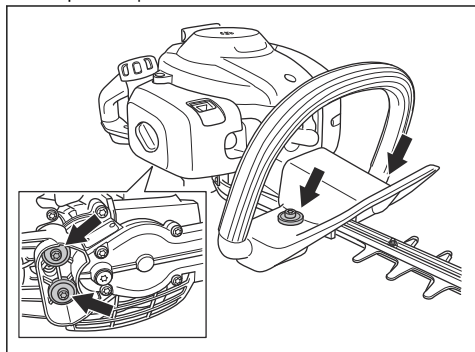
Щиток для рук предназначен для защиты рук от контакта с лезвиями.

1. Остановите двигатель.
2. Убедитесь, что щиток для рук установлен правильно.
3. Проверьте щиток для рук на наличие повреждений.

Проверка системы гашения вибраций

Система гашения вибраций снижает уровень вибрации на рукоятках. Амортизаторы функционируют в качестве элемента, изолирующего рукоятки от корпуса изделия.

1. Осмотрите на наличие деформаций и повреждений.
2. Проверьте правильность установки виброгасящих элементов.



Проверка глушителя



ПРЕДУПРЕЖДЕНИЕ:

Запрещается использовать изделие без глушителя или с неисправным глушителем. Повреждение глушителя может привести к увеличению уровня шума и риску возгорания. Запрещается использовать изделие без искрогасителя или с поврежденным искрогасителем. В случае повреждения искрогасителя следует заменить.



ПРЕДУПРЕЖДЕНИЕ:

Использованные глушитель и искрогаситель могут содержать канцерогенные частицы, образующиеся при сгорании. Используйте защитные перчатки и проводите техническое обслуживание в хорошо проветриваемом помещении, чтобы избежать попадания на кожу и вдыхания канцерогенных частиц. Не используйте сжатый воздух для очистки искрогасителя. Для очистки искрогасителя используйте проволочную щетку, выполняя движения щеткой по направлению от себя.



ПРЕДУПРЕЖДЕНИЕ:

Глушители сильно нагреваются в процессе работы и остаются горячими после окончания работы, а также при холостых оборотах.



ВНИМАНИЕ:

Если искрогаситель часто засоряется, это может быть признаком нарушения работы каталитического нейтрализатора. Обратитесь в сервисный центр для проверки глушителя. При засорении искрогасителя возможен перегрев двигателя, что приведет к повреждению цилиндра и поршня.



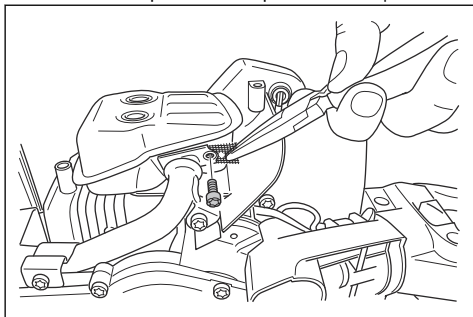
ПРЕДУПРЕЖДЕНИЕ:

На внутренней поверхности глушителя скапливаются химикаты, которые могут вызывать раковые заболевания. В случае повреждения глушителя соблюдайте осторожность и не касайтесь этих элементов.

Глушитель предназначен для максимального снижения уровня шума и отвода выхлопных газов в сторону от оператора. Глушитель, оборудованный каталитическим нейтрализатором, позволяет сократить содержание вредных веществ в выхлопных газах.

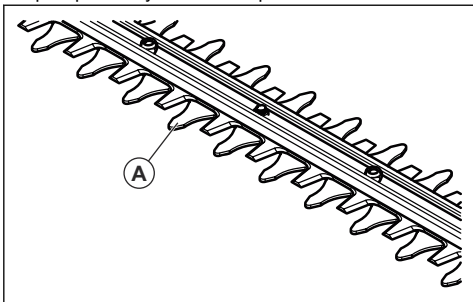
1. Остановите двигатель.
2. Осмотрите на наличие повреждений и деформаций.
3. Проверьте правильность крепления глушителя к корпусу изделия.

4. Очистите искрогаситель проволочной щеткой.



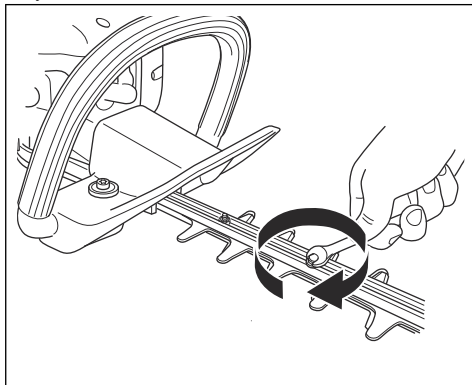
Проверка ножа и кожуха ножа

Внешняя часть ножей (А) выполняет роль защитных кожухов. Кожух ножа предназначен для защиты оператора от случайного соприкосновения с ножом.



1. Выключите двигатель и убедитесь, что режущий блок останавливается.
2. Снимите колпак свечи зажигания со свечи зажигания.
3. Наденьте защитные перчатки.
4. Убедитесь, что нож и кожух ножа не повреждены и не погнуты. Поврежденные или погнутые ножи необходимо заменять.

5. Убедитесь в том, что винты на режущем блоке установлены. Затяните винты моментом 7-10 Нм.



Правила безопасного обращения с топливом



ПРЕДУПРЕЖДЕНИЕ: В обязательном порядке прочитайте следующие инструкции по технике безопасности, прежде чем приступать к эксплуатации изделия.

- Запрещается запускать изделие, если на него попало топливо или моторное масло. Удалите постороннее топливо/масло и дайте изделию высохнуть.
- Если топливо попало на одежду, немедленно смените ее.
- Не допускайте попадания топлива на тело, это может причинить вред здоровью. При попадании топлива на тело смойте его водой с мылом.
- Запрещается запускать изделие при наличии утечки из двигателя. Регулярно проверяйте двигатель на наличие утечек.
- Соблюдайте осторожность при обращении с топливом. Топливо является легковоспламеняющейся жидкостью со взрывоопасными парами и может привести к серьезным или смертельным травмам.
- Запрещается вдыхать пары топлива, т. к. это может причинить вред здоровью. Убедитесь в наличии достаточного потока воздуха.
- Запрещается курить вблизи топлива или двигателя.
- Запрещается ставить теплые предметы рядом с топливом или двигателем.
- Запрещается доливать топливо при работающем двигателе.
- Прежде чем заправить изделие, убедитесь, что двигатель полностью остыл.

- Перед заправкой топлива медленно откройте крышку топливного бака и осторожно сбросьте давление.
- Запрещается заливать топливо в двигатель в помещении. Недостаточная вентиляция может привести к травме или смерти в результате удушья или отравления угарным газом.
- Плотно затяните крышку топливного бака. Если крышка топливного бака не затянута, возникает риск пожара.
- Переместите изделие минимум на 3 м / 10 футов от места заправки топливом, прежде чем запустить его.
- Никогда не заправляйте топливный бак полностью. Тепло приводит к расширению топлива. Оставьте место в верхней части топливного бака.
- Перед проведением технического обслуживания отсоедините колпак свечи зажигания.
- Выхлопные газы из двигателя содержат окись углерода — не имеющий запаха, токсичный и чрезвычайно опасный газ, который может стать причиной смерти. Запрещается эксплуатировать изделие в помещении или в замкнутых пространствах.
- Выхлопные газы двигателя имеют высокую температуру и могут содержать искры. Запрещается использовать изделие в помещении или рядом с легковоспламеняющимися материалами.
- Использование принадлежностей или внесение изменений в конструкцию изделия, не одобренных производителем, может привести к серьезным или смертельным травмам. Запрещается вносить изменения в конструкцию изделия. Всегда пользуйтесь только оригинальными принадлежностями.
- При несоблюдении правил и сроков выполнения техобслуживания риск получения травмы или повреждения изделия возрастает.
- Выполняйте техобслуживание в строгом соответствии с инструкциями, приведенными в Руководстве по эксплуатации. Для проведения всех других работ по обслуживанию обращайтесь в сервисный центр McCULLOCH.
- Регулярно обращайтесь в авторизованный сервисный центр McCULLOCH для проведения техобслуживания изделия.
- Замените поврежденные, сломанные или изношенные детали.

Инструкции по технике безопасности во время технического обслуживания



ПРЕДУПРЕЖДЕНИЕ: В обязательном порядке прочитайте следующие инструкции по технике безопасности, прежде чем приступать к эксплуатации изделия.

- Выключите двигатель и убедитесь, что режущее оборудование останавливается. Дайте изделию остыть, прежде чем начинать техническое обслуживание.

Эксплуатация

Введение



ПРЕДУПРЕЖДЕНИЕ: Перед эксплуатацией изделия внимательно изучите раздел техники безопасности.

Топливо

Данное изделие оборудовано двухтактным двигателем.



ВНИМАНИЕ: Заправка неподходящим типом топлива может привести к повреждению двигателя. Используйте смесь бензина и масла для двухтактных двигателей.

Предварительно смешанное топливо

- Для обеспечения оптимальной производительности и продления срока службы двигателя используйте предварительно смешанное топливо-алкилат McCULLOCH.

Данный тип топлива содержит меньшее количество вредных веществ по сравнению с обычным топливом, что приводит к сокращению вредных выбросов. Такое топливо при сгорании образует меньшее количество остатков, благодаря чему компоненты двигателя остаются более чистыми.

Смешивание топлива

Бензин

- Используйте неэтилированный бензин надлежащего качества с максимальным содержанием этанола 10%.



ВНИМАНИЕ: Не используйте бензин с октановым числом меньше 90 RON/87 AKI. При более низком октановом числе двигатель может производить стук, что в свою очередь может привести к повреждению двигателя.

Масло для двухтактных двигателей

- Для достижения оптимальных результатов и мощности пользуйтесь маслом McCULLOCH для двухтактных двигателей.
- Если у вас нет масла McCULLOCH для двухтактных двигателей, вы можете использовать высококачественное масло, предназначенное для двухтактных двигателей с воздушным охлаждением, т.н. "outboard oil". Использовать масло для четырехтактных двигателей запрещается.



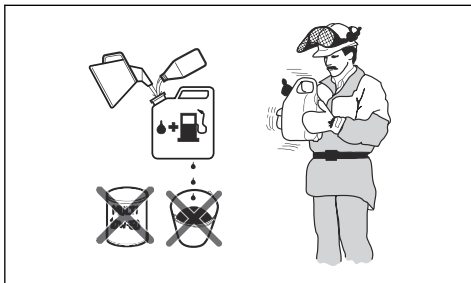
ВНИМАНИЕ: Запрещается использовать масло, предназначенное для двухтактных двигателей с внешним водяным охлаждением, т.н. "outboard oil". Использовать масло для четырехтактных двигателей запрещается.

Смешивание бензина и масла для двухтактных двигателей

Бензин, л	Масло для двухтактных двигателей, л
	2% (50:1)
5	0,10
10	0,20
15	0,30
20	0,40



ВНИМАНИЕ: Небольшие неточности при смешивании небольшого количества топлива могут значительно повлиять на соотношение компонентов в смеси. Внимательно измеряйте количество масла, чтобы обеспечить правильное соотношение компонентов.



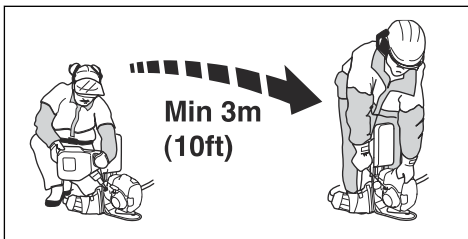
1. Добавьте половину количества бензина в чистую емкость для топлива.
2. Добавьте все количество масла.
3. Взболтайте топливную смесь.
4. Добавьте оставшуюся часть бензина в емкость.
5. Осторожно взболтайте топливную смесь.



ВНИМАНИЕ: Срок хранения топливной смеси не должен превышать 1 месяца.

Заправка топливного бака

1. Очистите поверхность вокруг крышки топливного бака.
2. Взболтайте емкость и убедитесь, что топливо полностью смешалось. Используйте емкость для топлива с защитой от пролива.
3. Снимите крышку топливного бака.
4. Заполните топливный бак.
5. Аккуратно затяните крышку топливного бака.
6. Перед запуском отнесите изделие в сторону не менее чем на 3 м (10 футов) от источника топлива и места заправки топливом.

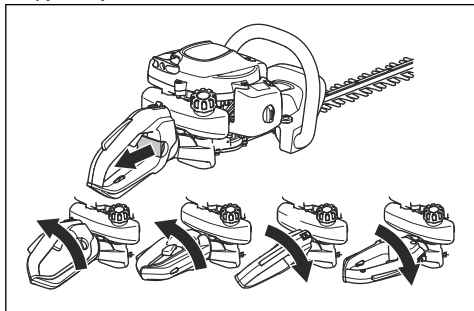


ВНИМАНИЕ: Загрязнение баков приводит к сбоям в работе. Регулярно выполняйте очистку топливного бака и бака с маслом для смазки цепи и выполняйте замену топливного фильтра не менее раза в год.

Регулировка рукоятки (ERGOLITE 6028)

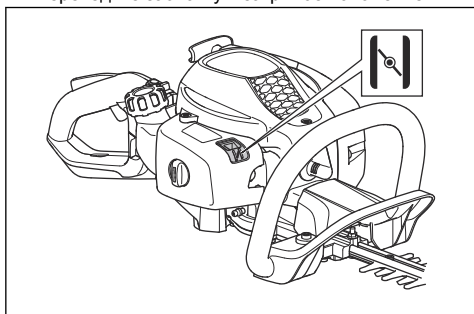
Существует 5 положений регулировки задней рукоятки.

- Снимите фиксатор рукоятки и поверните рукоятку.



Запуск изделия с холодным двигателем

1. Переведите заслонку в закрытое положение.



2. Нажмите на грушу нагнетателя примерно 6 раз или нажимайте на нее, пока в грушу не начнет поступать топливо. Полностью заполнять грушу топливом не требуется.
3. Прижмите корпус изделия к земле левой рукой. Не наступайте на изделие.
4. Правой рукой медленно вытягивайте ручку шнура стартера, пока не почувствуете некоторое сопротивление, затем быстро и с усилием потяните ручку шнура.



ПРЕДУПРЕЖДЕНИЕ: Не наматывайте шнур стартера вокруг руки.



ВНИМАНИЕ: Не вытягивайте шнур стартера полностью и не выпускайте ручку шнура стартера.

5. Продолжайте тянуть ручку шнура стартера, пока двигатель не запустится, после чего переведите заслонку в исходное положение.



ПРЕДУПРЕЖДЕНИЕ: При запуске двигателя ножи приходят в движение.

6. Продолжайте тянуть ручку шнура стартера до запуска двигателя.
7. Нажмите и отпустите рычаг дросселя, чтобы установить холостой ход двигателя.
8. Постепенно нажимайте на дроссельный регулятор, чтобы увеличить частоту вращения двигателя.
9. Убедитесь, что двигатель работает без рывков.

Запуск изделия с прогретым двигателем

1. Прижмите корпус изделия к земле левой рукой. Не наступайте на изделие.
2. Правой рукой медленно вытягивайте ручку шнура стартера, пока не почувствуете некоторое сопротивление, затем быстро и с усилием потяните ручку шнура. Продолжайте выполнять это действие, пока двигатель не запустится.

Примечание: Дополнительные сведения о процедуре запуска двигателя см. в разделе *Запуск изделия с холодным двигателем* на стр. 323.

Остановка изделия

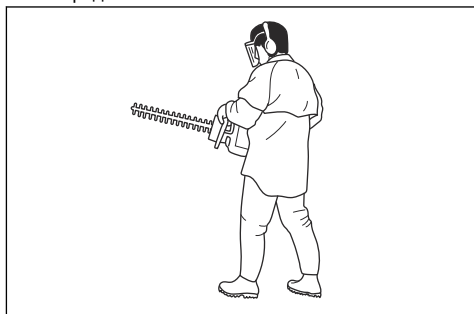
- Для остановки двигателя переведите выключатель в положение остановки.



ВНИМАНИЕ: Переключатель остановки автоматически возвращается в исходное положение.

Эксплуатация изделия

1. Включать изделие следует низко над землей, только после этого разрешается поднять его и приступить к обрезке живой изгороди. Следите за тем, чтобы корпус изделия не касался живой изгороди.



ПРЕДУПРЕЖДЕНИЕ: Следите за тем, чтобы передняя часть режущего оборудования не касалась земли.

2. Отрегулируйте скорость в соответствии с рабочей нагрузкой.

3. Для большей устойчивости следует держать изделие на небольшом, но безопасном расстоянии от вашего тела.

4. Соблюдайте осторожность и не торопитесь при эксплуатации изделия.

Техническое обслуживание

Введение

внимательно изучите раздел техники безопасности.



ПРЕДУПРЕЖДЕНИЕ: Перед техническим обслуживанием изделия

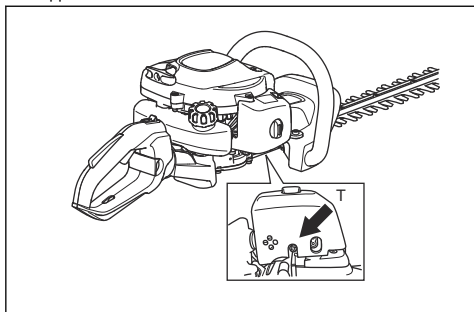
График технического обслуживания

Техническое обслуживание	Перед эксплуатацией	После 40 ч	После 100 ч
Очистите наружные поверхности.	Каждый раз после эксплуатации.		
Очистите глушитель, выхлопную трубу и двигатель от листьев, грязи и посторонних смазочных веществ.	Каждый раз после эксплуатации.		
Убедитесь, что режущий блок не двигается, когда двигатель работает на холостых оборотах.	X		
Проверьте выключатель. См. <i>Проверка выключателя на стр. 318.</i>	X		
Осмотрите режущий блок на наличие повреждений и трещин. При наличии повреждений выполните замену.	X		
Осмотрите щиток для рук на наличие повреждений и трещин. При наличии повреждений выполните замену.	X		
Проверьте стопор дроссельного регулятора и сам дроссельный регулятор. См. <i>Проверка стопора рычага дросселя на стр. 318.</i>	X		
Проверьте двигатель, топливный бак и топливный шланг на наличие утечек.	X		
Затяните гайки и винты.	X		
Очистите или замените искрогаситель на глушителе. См. <i>Проверка глушителя на стр. 319.</i>		X	
Осмотрите стартер и шнур стартера на наличие повреждений.		X	
Проверьте правильность затяжки винтов, скрепляющих ножи.		X	
Очистите воздушный фильтр. При работе в условиях повышенной запыленности проводите очистку чаще. При наличии повреждений выполните замену.		X	
Осмотрите амортизаторы на наличие повреждений и трещин. При наличии повреждений выполните замену.		X	
Очистите наружные поверхности свечи зажигания и область вокруг нее. Снимите свечу зажигания и измерьте зазор между электродами. Отрегулируйте зазор между электродами или замените свечу зажигания. См. <i>Проверка свечи зажигания на стр. 326.</i>		X	
Очистите систему охлаждения.		X	

Техническое обслуживание	Перед эксплуатацией	После 40 ч	После 100 ч
Очистите наружные поверхности карбюратора и область вокруг него.		X	
Проверьте топливный фильтр на наличие засорения и топливный шланг на наличие трещин или других дефектов. При наличии повреждений выполните замену.			X
Очистите искрогаситель на глушителе; при наличии повреждений выполните его замену.			X
Очистите внутреннюю поверхность топливного бака.			X
Замените свечу зажигания.			X
Проверьте сцепление, пружину сцепления и барабан сцепления на наличие износа. В случае повреждения замена выполняется в авторизованном сервисном центре.			X
Убедитесь, что картер редуктора заполнен смазкой.			X
Проверьте все кабели и соединения.			X

Регулировка оборотов холостого хода

1. Очистите воздушный фильтр и установите крышку воздушного фильтра.
2. Запустите изделие. См. раздел *Запуск изделия с холодным двигателем на стр. 323*.
3. Поворачивайте винт регулировки Т по часовой стрелке до тех пор, пока режущий блок не придет в движение.



4. Затем поворачивайте винт регулировки против часовой стрелки, пока режущий блок не остановится.



ПРЕДУПРЕЖДЕНИЕ: Если режущий блок не останавливается в ходе регулировки оборотов холостого хода, обратитесь к ближайшему сервисному дилеру. Запрещается пользоваться изделием, пока не будет выполнена его надлежащая регулировка или ремонт.



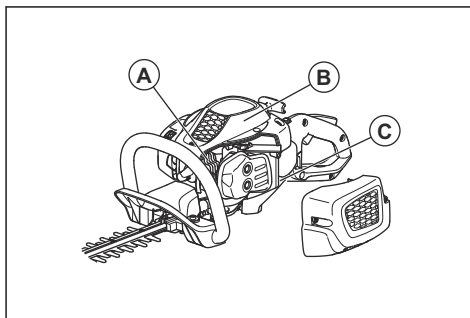
ВНИМАНИЕ: Воздухозаборник между топливным баком и картером легко забивается листьями. Полностью очищайте воздухозаборник.

1. Очищайте систему охлаждения щеткой еженедельно или чаще (при необходимости).
2. В системе охлаждения не должно быть загрязнений и засоров.

Примечание: Обороты холостого хода правильные, если двигатель работает ровно во всех положениях. Рекомендованные обороты холостого хода см. в разделе *Технические данные на стр. 329*.

Очистка системы охлаждения

Система охлаждения поддерживает температуру двигателя на низком уровне. Система охлаждения включает в себя ребра охлаждения на цилиндре (А), крышку цилиндра (В) и воздухозаборник через картер (С).

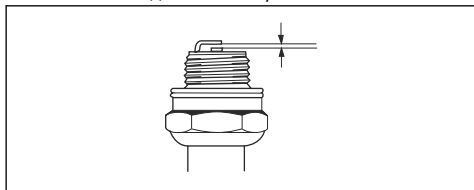


Проверка свечи зажигания



ВНИМАНИЕ: Всегда используйте только указанный тип свечи. Использование неправильного типа свечи зажигания может привести к повреждению изделия.

- Проверьте свечу зажигания, если двигатель не набирает мощность, плохо заводится или плохо работает на холостых оборотах.
- Чтобы уменьшить риск появления нежелательного материала на электродах свечи зажигания, соблюдайте следующие инструкции:
 - a) Убедитесь в правильности регулировки частоты оборотов холостого хода.
 - b) Убедитесь, что используется надлежащая топливная смесь.
 - c) Убедитесь, что воздушный фильтр чист.
- Если свеча зажигания загрязнена, очистите ее и проверьте зазор между электродами, см. раздел *Технические данные на стр. 329.*

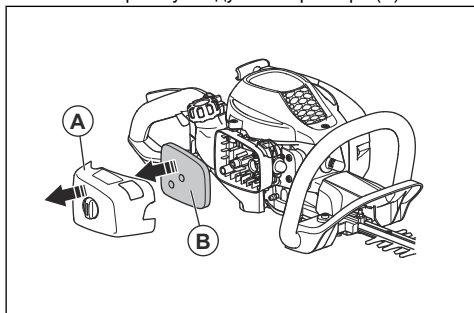


- При необходимости замените свечу зажигания.

Очистка воздушного фильтра

Регулярно очищайте воздушный фильтр от грязи и пыли. Регулярная очистка предотвращает неисправности карбюратора, проблемы при запуске, снижение мощности двигателя, износ деталей двигателя и повышенный расход топлива.

1. Снимите крышку воздушного фильтра (A).



2. Извлеките воздушный фильтр (B) из рамы фильтра.
3. Промойте воздушный фильтр теплой мыльной водой.



ВНИМАНИЕ: Воздушный фильтр после эксплуатации в течение некоторого времени невозможно полностью вычистить. Регулярно выполняйте замену воздушного фильтра и всегда заменяйте неисправный фильтр.

4. Убедитесь, что воздушный фильтр сухой.
5. Нанесите масло на воздушный фильтр. См. раздел *Нанесение масла на воздушный фильтр из пеноматериала на стр. 326.*
6. Очистите внутреннюю поверхность крышки воздушного фильтра. Используйте для очистки сжатый воздух или щетку.

Нанесение масла на воздушный фильтр из пеноматериала

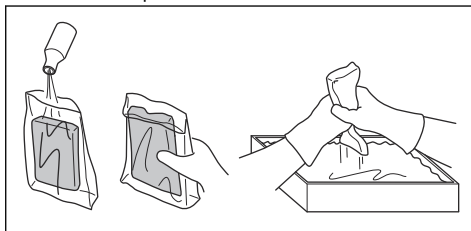


ВНИМАНИЕ: Необходимо использовать специальное масло для воздушных фильтров McCULLOCH. Не используйте другие виды масла.



ПРЕДУПРЕЖДЕНИЕ: Наденьте защитные перчатки. Масло для воздушного фильтра может вызвать раздражение кожи.

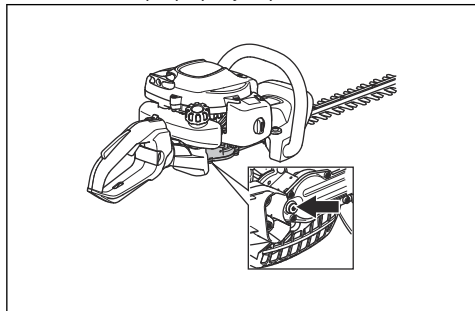
1. Поместите воздушный фильтр из пеноматериала в полиэтиленовый пакет.
2. Налейте масло в полиэтиленовый пакет.
3. Сожмите пакет, чтобы равномерно распределить масло по воздушному фильтру из пеноматериала.
4. Отожмите излишки масла из воздушного фильтра из пеноматериала в пластиковый пакет.



Смазка для картера редуктора

- Используйте специальную смазку McCULLOCH. Для получения информации о смазке обратитесь к своему дилеру по обслуживанию.

- Добавьте смазку через колпачок отверстия для смазки на картере редуктора.



ВНИМАНИЕ: Не заполняйте картер редуктора смазкой полностью.

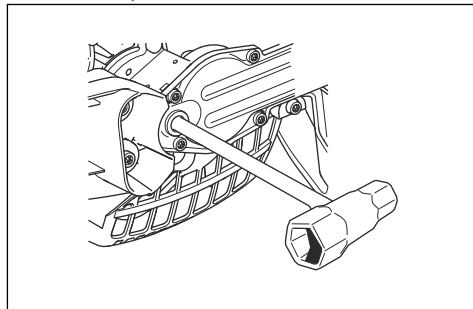
Очистка и смазка ножей

1. Ножи необходимо очищать от посторонних материалов до и после эксплуатации.
2. Смажьте ножи перед помещением изделия на продолжительное хранение.

Примечание: Для получения информации о рекомендованных чистящих средствах и смазке обратитесь к своему сервисному дилеру.

Проверка ножей

1. Снимите колпачок отверстия для смазки с картера редуктора.
2. Убедитесь, что ножи свободно перемещаются. Вставьте комбинированный ключ в картер редуктора и поверните его по часовой и против часовой стрелки.



3. Проверьте края ножей на наличие повреждений и деформации.
4. Удалите заусенцы на ножах с помощью напильника.

Поиск и устранение неисправностей

Поиск и устранение неисправностей

Двигатель не запускается		
Проблема	Возможная причина	Рекомендованное действие
Собачки стартера	Собачки стартера не могут свободно перемещаться.	Отрегулируйте или замените собачки стартера.
		Очистите поверхность вокруг собачек стартера.
		Обратитесь к авторизованному сервисному дилеру.
Топливный бак	Топливо несоответствующего типа.	Слейте и используйте правильное топливо.
Карбюратор	Неверные обороты холостого хода.	Отрегулируйте обороты холостого хода.

Двигатель не запускается		
Проблема	Возможная причина	Рекомендованное действие
Нет искры	Свеча зажигания загрязнена или намокла.	Убедитесь, что свеча зажигания сухая и чистая.
	Неправильный зазор между электродами.	Очистите свечу зажигания. Проверьте правильность зазора между электродами свечи зажигания. Убедитесь, что свеча зажигания оснащена изоляцией радиопомех.
		Правильный зазор между электродами см. в разделе <i>Технические данные на стр. 329.</i>
Свеча зажигания	Крепление свечи зажигания ослаблено.	Затяните свечу зажигания.

Двигатель запускается, но затем снова останавливается		
Проблема	Возможная причина	Рекомендованное действие
Топливный бак	Топливо несоответствующего типа.	Слейте и используйте правильное топливо.
Карбюратор	Неверные обороты холостого хода.	Отрегулируйте обороты холостого хода. См. раздел <i>Регулировка оборотов холостого хода на стр. 325.</i> При необходимости обратитесь к своему сервисному дилеру.
Воздушный фильтр	Засорение воздушного фильтра.	Очистите воздушный фильтр.

Нож		
Проблема	Возможные причины	Рекомендованное действие
Нож движется медленно или не движется.	Нож заблокирован или поврежден.	Очистите ножи от посторонних материалов. См. раздел <i>Очистка и смазка ножей на стр. 327.</i> Удалите заусенцы с ножа, см. раздел <i>Проверка ножей на стр. 327.</i> В случае повреждения ножа замените его.
Нож плохо режет материал.	Нож не заточен или поврежден.	Заточите нож, см. раздел <i>Проверка ножей на стр. 327.</i> В случае повреждения ножа замените его.
Нож нагревается.	Между ножами наблюдается трение.	Удалите заусенцы с ножа и смажьте его. См. раздел <i>Проверка ножей на стр. 327.</i>

Транспортировка, хранение и утилизация

Транспортировка и хранение

- Перед помещением на хранение, в обязательном порядке, дайте изделию остыть.

- Перед помещением на хранение и транспортировкой изделия и топлива убедитесь в отсутствии утечек или испарения топлива. Искры или источники открытого огня, например,

- от электрических устройств или котлов, могут привести к пожару.
- Всегда используйте рекомендованные контейнеры для хранения и транспортировки топлива.
- Перед транспортировкой или помещением изделия на длительное хранение слейте топливо из бака. Утилизируйте топливо в специально предназначенном для этого месте.
- На время транспортировки и хранения устанавливайте на изделие транспортировочный щиток.
- Снимите колпак свечи зажигания со свечи зажигания.
- Закрепляйте изделие на время транспортировки. Убедитесь, что изделие неподвижно зафиксировано.

- Перед помещением на длительное хранение очистите изделие и проведите его техобслуживание.

Утилизация

- Соблюдайте местное законодательство и действующие нормы.
- Утилизируйте все химические вещества, например моторное масло или топливо, в сервисном центре или в специально предназначенном для этого месте.
- Утилизируйте изделие в специальном одобренном месте для утилизации или отправьте его в McCULLOCH для утилизации.

Технические данные

Технические данные

Технические данные	SUPERLITE 4528	ERGOLITE 6028
Двигатель		
Объем цилиндра, см ³	21,7	21,7
Обороты холостого хода, об/мин	2800	2800
Рекомендованные макс. обороты, об/мин	9000	9000
Максимальная мощность двигателя, согласно ISO 8893, кВт / об/мин	0,6 / 7800	0,6 / 7800
Глушитель с каталитическим нейтрализатором	Да	Да
Система зажигания		
Свеча зажигания	HQT-4 672201	HQT-4 672201
Зазор между электродами, мм	0,5	0,5
Топливо		
Емкость топливного бака, л	0,3	0,3
Вес		
Вес, кг	4,8	5,0
Излучение шума ⁵⁸		
Уровень мощности звука, измеренный, дБ(А)	100	100

⁵⁸ Излучение шума в окружающую среду измеряется как мощность звука (L_{WA}) согласно директиве ЕС 2000/14/ЕС. Указанный уровень мощности звука для изделия измерен с оригинальным режущим оборудованием, создающим самый высокий уровень шума. Разница между гарантированной и измеренной мощностью звука заключается в том, что гарантированная мощность звука включает результаты измерений как диапазон и их отклонение для устройств одной и той же модели согласно директиве 2000/14/ЕС.

Технические данные	SUPERLITE 4528	ERGOLITE 6028
Уровень мощности звука, гарантированный, L_{WA} , дБ(A)	101	101
Уровни шума ⁵⁹		
Эквивалентный уровень шумового давления на уровне уха оператора, измеренный согласно EN ISO 10517, дБ(A)	93	93
Уровни вибрации ⁶⁰		
Эквивалентный уровень вибрации ($a_{hv,eq}$) на рукоятках, измеренный согласно EN ISO 10517, м/с ² :		
Спереди / сзади, мм/с ²	3,5 / 4,4	4,1 / 5,2
Ножи		
Тип	Двусторонние	Двусторонние
Длина реза, мм	450	590
Скорость резания, ходов/мин	4050	4050

⁵⁹ Указанные данные об уровне шумового давления имеют типичный статистический разброс (стандартное отклонение) 1 дБ(A).

⁶⁰ Указанные данные об уровне вибрации имеют типичный статистический разброс (стандартное отклонение) 1 м/с².

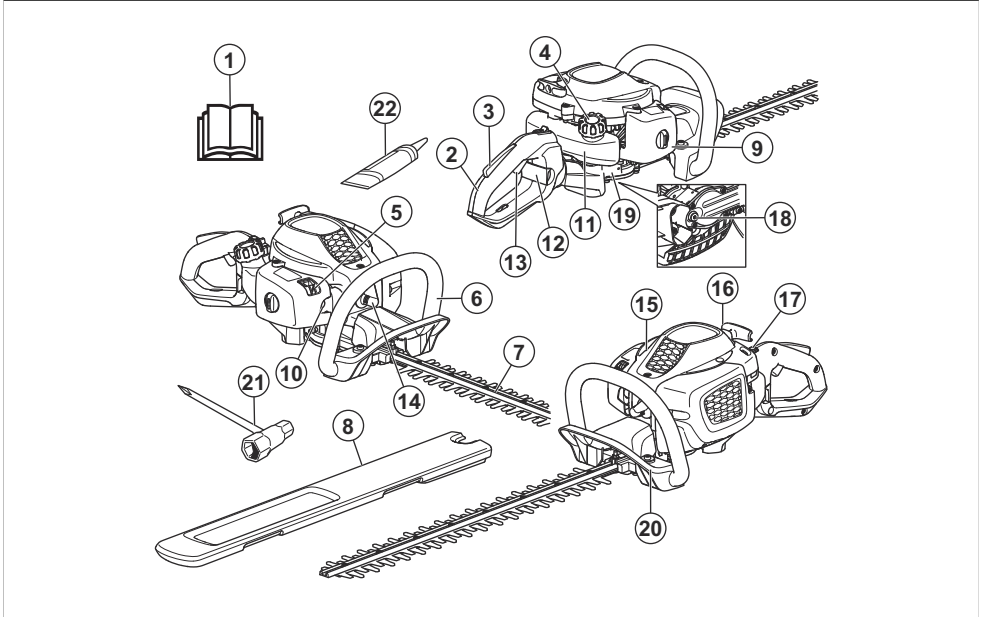
Декларация соответствия ЕС

Съдържание

Въведение.....	332	Отстраняване на проблеми.....	345
Безопасност.....	333	Транспортиране, съхранение и изхвърляне.....	346
Операция.....	339	Технически данни.....	347
Поддръжка.....	341	Декларация за съответствие на ЕО.....	349

Въведение

Общ преглед на продукта



1. Ръководство за оператора
2. Задна ръкохватка
3. Блокировка на регулатора за газта
4. Капачка на резервоара за гориво
5. Смукач
6. Предна ръкохватка
7. Диск и предпазител на диска
8. Предпазител за транспортиране
9. Капак на въздушния филтър
10. Купол на горивната помпа
11. Резервоар за гориво
12. Заклучване на ръкохватката (ErgoLite)
13. Регулатор за газта
14. Капачка на запалителна свещ и запалителна свещ
15. Капак на цилиндъра

16. Ръкохватка на въжето на стартера
17. Превключвател за спиране
18. Капачка на резервоара за смазочно средство
19. Корпус на скоростната кутия
20. Предпазител за ръцете
21. Комбиниран гаечен ключ
22. Туба с грес

Описание на продукта

Продуктът е ножици за кастрене на жив плет с двигател с вътрешно горене.

Предназначение

Използвайте продукта за изрязване на клони и ветки. Не използвайте продукта за други задачи.

Символи върху машината



ПРЕДУПРЕЖДЕНИЕ! Този продукт може да бъде опасен и да причини сериозно нараняване или смърт на оператора или други хора. Внимавайте и използвайте продукта правилно.



Прочетете внимателно ръководството за оператора и се уверете, че разбирате инструкциите, преди да използвате машината.



Използвайте одобрени антифони и защитни средства за очите.



Използвайте одобрени защитни ръкавици.



Използвайте устойчиви на плъзгане ботуши за тежък режим на работа.



Купол на горивната помпа.



Смучач.



Блокировка за регулиране на ръкохватката.



Гориво.



Шумови емисии към околната среда съгласно Европейска директива 2000/14/ЕО и законодателството на Нов Южен Уелс "Регламент 2017 относно защитата на дейности, оказващи влияние на околната среда (контрол на шума)". Данните за шумови емисии могат да бъдат намерени на етикета на машината и в главата „Технически характеристики“.



Продуктът е в съответствие с приложимите директиви на ЕО.

ууууwхххх

Типовата табелка показва серийния номер. **птт** е годината на производство, а **сс** е седмицата на производство.

Забележка: Останалите символи/стикери на машината се отнасят до изисквания по отношение на сертификати за определени пазари.

Емисии Euro V



ПРЕДУПРЕЖДЕНИЕ: Намесата в двигателя прави невалидно ЕС одобрението на тип на този продукт.

Безопасност

Дефиниции за безопасност

Предупреждения, знаци за внимание и бележки се използват за указване на особено важни части на инструкцията.



ПРЕДУПРЕЖДЕНИЕ: Използва се, ако има опасност от нараняване или смърт за оператора или за околните, ако не се спазват инструкциите в ръководството.



ВНИМАНИЕ: Използва се, ако има опасност от повреждане на машината, други материали или съседната зона,

ако не се спазват инструкциите в ръководството.

Забележка: Използва се за предоставяне на повече информация, която е необходима в дадена ситуация.

Общи инструкции за безопасност



ПРЕДУПРЕЖДЕНИЕ: Прочетете следващите предупредителни инструкции, преди да използвате продукта.

- Неправилното или невнимателно използване на продукта може да го превърне в опасен инструмент, който може да причини сериозно или дори смъртоносно нараняване. Много е важно да прочетете и разберете съдържанието на това ръководство за оператора.
- Този продукт създава електромагнитно поле по време на работа. При някои условия това поле може да предизвика смущения в активни или пасивни медицински импланти. За да намалите риска от сериозно или смъртоносно нараняване, ние препоръчваме лицата с медицински импланти да говорят с лекаря си и производителя на медицинския имплант, преди да започнат да работят с този продукт.
- Прекомерното излагане на вибрации може да доведе до увреждане на кръвоносните съдове или нервната система на хора със смущения в кръвообращението. Свържете се с Вашия лекар, ако се появят симптоми, които могат да са резултат от прекомерно излагане на вибрации. Такива симптоми са например изтръпване, загуба на чувствителност, "иглички", "бодежи", болки, физическа отпуснатост, промени в цвета или състоянието на кожата. Тези симптоми се появяват обикновено на пръстите, ръцете или китките. Рискът се увеличава при ниски температури.
- Използван ауспих и искрогасител може да съдържа канцерогенни изгорени частици. Избягвайте излагането на тези съединения, когато боравите с ауспуха или искрогасителя. Преди да боравите с ауспуха или искрогасителя, прочетете инструкциите в *За извършване на проверка на ауспуха на страница 337*.
- Ако се окажете в ситуация, в която сте неуверени как да постъпите, се посъветвайте със специалист. Свържете се с Вашия дилър или с Вашия сервиз. Избягвайте всякаква употреба, за която се чувствате недостатъчно квалифицирани.
- Имайте предвид, че операторът носи отговорност за нещастни случаи или опасности за други хора или тяхното имущество.
- Никога не позволявайте на други лица да използват продукта, без първо да сте се уверили, че са разбрали съдържанието на ръководството за оператора.
- Никога не позволявайте на деца да използват продукта или да бъдат в близост до него. Тъй като продуктът е оборудван с пружинен превключвател за спиране и може да бъде стартиран чрез прилагане на ниска скорост и сила върху ръкохватката за стартиране, дори и малките деца при някои обстоятелства могат да са способни да стартират продукта с необходимата сила. Това може да означава риск от сериозна телесна повреда. Поради това отстранявайте капачката на запалителната свещ, когато продуктът не е под прякото Ви наблюдение.

- Съхранявайте продукта на място, недостъпно за деца.
- Никога не използвайте продукта, ако сте уморени, употребили сте алкохол или приемате лекарства, които могат да повлияят върху зрението, преценката или координацията Ви.
- Никога не използвайте продукт, който е неизправен. Извършвайте описаните в това ръководство проверки, техническо обслужване и сервиз. Определени операции по техническото обслужване и сервиза трябва да се извършват от обучени и квалифицирани специалисти. Направете справка с инструкциите в раздел „Техническо обслужване“.
- Никога не използвайте продукт с каквито и да било модификации на оригиналните технически характеристики.

Инструкции за безопасност за работа



ПРЕДУПРЕЖДЕНИЕ: Прочетете следващите предупредителни указания, преди да използвате продукта.

- Никога не използвайте продукта при екстремни атмосферни условия, например много студен, много горещ и/или влажен климат.
- Неизправните остриета могат да повишат риска от злополуки.
- Уверете се, че хора или животни не се приближават в радиус от 15 m/50 ft, докато работите.
- Съобразете се с средата и се уверете, че няма риск за хора или животни при съприкосновение с режещото оборудване.
- Проверете работния участък. Отстранете всички обекти, които могат да изхвърчат във въздуха.
- Винаги се грижете да заставите в безопасно и стабилно работно положение.
- Никога не оставяйте продукта без надзор, докато двигателят работи.
- Уверете се, че ръцете и краката Ви са далеч от режещия модул, когато двигателят работи.
- Ако нещо заседне в ножовете, докато работите, изключете мотора и изчакайте, докато спре напълно, преди да почистите ножовете. Разкачете лулата на запалителната свещ от запалителната свещ.
- Когато двигателят е изключен, пазете ръцете и краката си от режещия модул, докато той не спре напълно.
- Внимавайте за парчета от клоните, които могат да изхвърчат по време на рязането.
- Бъдете винаги нащрек за предупредителни сигнали или подвиквания, когато използвате антифони. Винаги сваляйте антифоните незабавно след спиране на двигателя.

- Не работете никога от стълба, столче или друго положение на високо, което не е напълно обезопасено.
- Винаги дръжте продукта с две ръце. Винаги дръжте продукта пред тялото си.
- Ако някакъв чужд обект бъде ударен или ако се получат вибрации, спрете веднага продукта. Разкачете лулата на запалителната свещ от запалителната свещ. Проверете дали продуктът не е повреден. Поправете всяка повреда.
- Уверете се дали капачката на запалителната свещ и запалващият кабел са изправни, за да избегнете опасността от електрически удар.
- Проверете дали всички гайки и винтове са затегнати.
- Уверете се, че скоростната кутия е смазана правилно. Вижте *За смазване на корпуса на скоростната кутия на страница 344*.
- Скоростната кутия се нагорещява, когато продуктът е в употреба. За да избегнете изгаряния, не докосвайте скоростната кутия.
- Всички капаци и предпазители трябва да са поставени преди стартиране.
- Ако резците заядат, те могат да се разхлабят, като поставите комбинирания гаечен ключ в скоростната кутия. Поставете комбинирания гаечен ключ в скоростната кутия, след което го завъртете напред и назад. Вижте *За смазване на корпуса на скоростната кутия на страница 344*.
- Защитата при транспортиране трябва винаги да е поставена на режещия модул, когато продуктът не се използва.

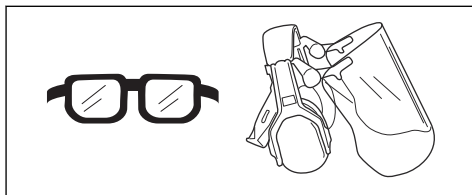
Лични предпазни средства



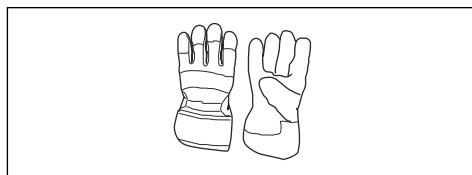
ПРЕДУПРЕЖДЕНИЕ: Прочетете следващите предупредителни указания, преди да използвате машината.

- При работа с продукта винаги използвайте одобрени лични предпазни средства. Личните предпазни средства не изключват изцяло риска от нараняване, но намаляват степента на нараняването при злополука. Нека вашият дилър Ви помогне да изберете подходящото оборудване.
- Използвайте одобрени антифони, осигуряващи подходящо намаляване на шума. Дълготрайното излагане на шум може да доведе до постоянно влошаване на слуха.
- Използвайте одобрени защитни средства за очите. Ако използвате маска, използвайте също и одобрени защитни очила. С одобрени защитни очила се има предвид такива, които отговарят

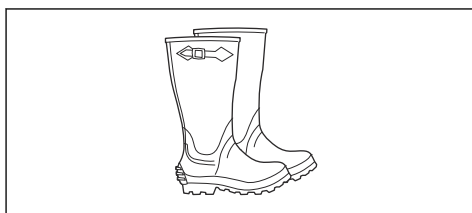
на стандарт ANSI Z87.1 за САЩ или EN 166 за страните от ЕС.



- Когато е необходимо, носете ръкавици, например, когато закрепвате, проверявате или почиствате режещото оборудване.



- Носете здрави ботуши или обувки, които не се хлъзгат.



- Използвайте дрехи, направени от здрава тъкан. Винаги използвайте здрави, дълги панталони и дълги ръкави. Не носете използвайте дрехи, които могат да се захванат за храсти и клони. Не носете бижута, къси панталони, сандали и не работете боси. Носете косата си безопасно над нивото на рамената.
- Дръжте в близост комплект за първа помощ.



Приспособления за безопасност на машината



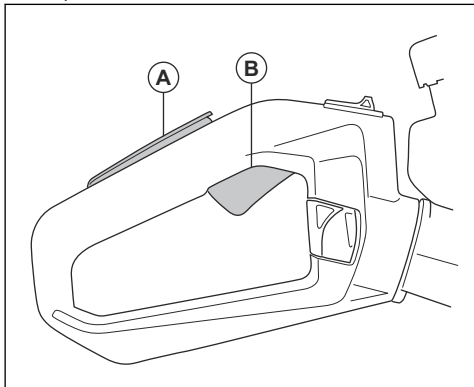
ПРЕДУПРЕЖДЕНИЕ: Прочетете следващите предупредителни указания, преди да използвате машината.

- Не използвайте машина с неизправни приспособления за безопасност.

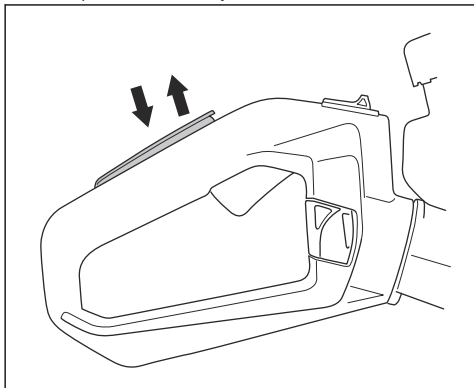
- Проверявайте редовно приспособленията за безопасност. Ако приспособленията за безопасност са дефектни, говорете с Вашия сервиз McCULLOCH.

За проверка на блокировката на регулатора на газта

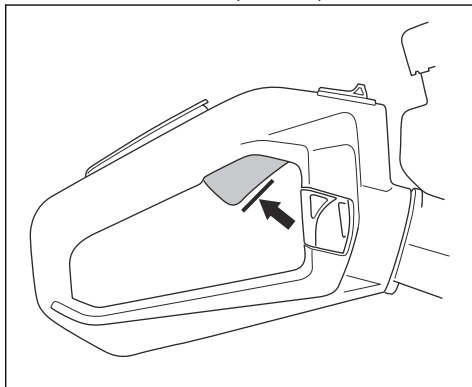
1. Уверете се, че блокировката на регулатора за газта (А) и регулаторът за газта (В) се движат свободно и възвратната пружина работи изправно.



2. Натиснете надолу блокировката на газта и се уверете, че се връща в първоначалната си позиция, когато я отпуснете.



3. Освободете блокировката на регулатора за газта и се уверете, че регулаторът за газта е фиксиран на положението за обороти на празния ход.



4. Стартирайте двигателя и подайте пълна газ.
5. Освободете регулатора за газта и се уверете, че резците спират изцяло.



ПРЕДУПРЕЖДЕНИЕ: Ако резците се движат, когато регулаторът за газта е на положение за обороти на празния ход, регулирайте оборотите на празния ход. Вижте *Регулиране на оборотите на празния ход на страница 342*.

За проверка на превключвателя за спиране

1. Стартирайте двигателя.
2. Преместете превключвателя за спиране до положението за спиране и се уверете, че двигателят спира.



ПРЕДУПРЕЖДЕНИЕ:

Превключвателят за спиране автоматично се връща в положение за стартиране. За да предотвратите случайно стартиране, махнете лулата на запалителната свещ от свещта, когато монтирате или извършвате техническо обслужване на продукта.

За проверка на защитата за ръцете

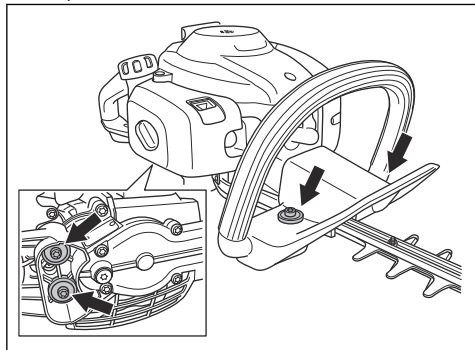
Защитата за ръце не позволява нараняване от ножовете.

1. Спрете двигателя.
2. Проверете дали защитата за ръце е правилно поставена.
3. Проверете защитата за ръцете за повреди.

За проверка на антивибрационната система

Антивибрационната система намалява вибрациите на дръжките. Антивибрационните части действат като разделител между корпуса на продукта и модула на дръжките.

1. Извършете визуална проверка за деформация и повреда.
2. Уверете се, че антивибрационните части не са повредени.



За извършване на проверка на ауспуха



ПРЕДУПРЕЖДЕНИЕ: Никогa не работете с продукта без ауспух или с дефектен ауспух. Дефектният ауспух може да увеличи нивото на шума и риска от пожар. Не използвайте продукта с повредена или липсваща искрогасителна мрежа. В случай на повреда искрогасителната мрежа трябва да бъде сменена.



ПРЕДУПРЕЖДЕНИЕ: Използван ауспух и искрогасител могат да съдържат канцерогенни изгорени частици. Използвайте защитни ръкавици и извършвайте техническо обслужване в място с добро проветрение, за да избегнете контакт с кожата и вдишване на канцерогенни частици. Не използвайте въздух под налягане за почистване на искрогасителя. Използвайте телена четка и извършвайте движенията с четката далеч от тялото си, когато почиствате искрогасителя.



ПРЕДУПРЕЖДЕНИЕ: Ауспусите се нагряват много по време и след работа и при обороти на празен ход.



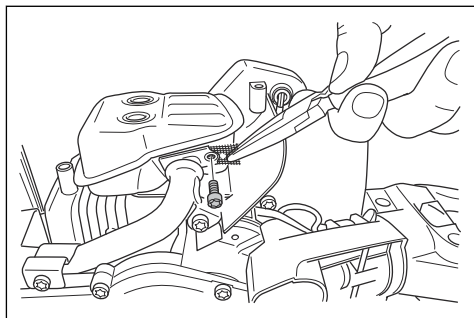
ВНИМАНИЕ: Ако искрогасителната мрежа се запушва често, това може да е признак, че ефективността на катализатора е намалена. Обърнете се към Вашия сервизен дилър за проверка на ауспуха. Запушена искрогасителна мрежа ще причини прегряване, което ще доведе до повреда на цилиндъра и буталото.



ПРЕДУПРЕЖДЕНИЕ: Вътрешните повърхности на ауспуха съдържат химикали, които могат да причинят рак. Внимавайте да не докосвате тези елементи, ако ауспухът е повреден.

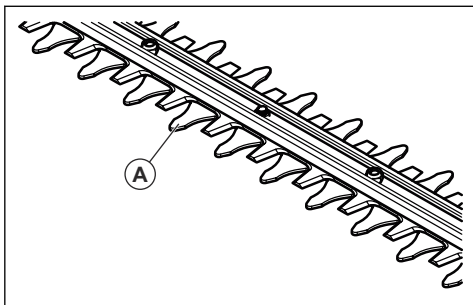
Ауспухът е предназначен за намаляване на нивата на шума до минимум и за отвеждане на отработените газове настрана от оператора. Ауспух с катализатор намалява вредните отработените газове.

1. Спрете двигателя.
2. За извършване на визуална проверка за повреда и деформация.
3. Уверете се, че ауспухът е правилно закрепен към продукта.
4. Почистете искрогасителната мрежа с телена четка.

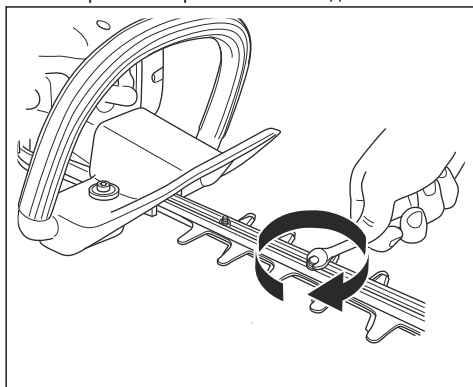


За да извършите проверка на резеца и предпазния щит на резеца

Външните краища на резците (А) имат функцията на предпазни щитове на резците. Предпазният щит на резеца защитава оператора от неволно допиране до резеца.



1. Спрете двигателя и се уверете, че режещият модул спира.
2. Отстранете лулата на запалителната свещ от запалителната свещ.
3. Сложете защитни ръкавици.
4. Уверете се, че режецът и предпазният щит на резеца не са повредени или огнати. Винаги сменяйте повредено или огнато острие.
5. Уверете се, че винтовете на режещия модул са монтирани. Завъртете винтовете до 7 – 10 Nm.



Безопасност при работа с гориво



ПРЕДУПРЕЖДЕНИЕ: Прочетете следващите предупредителни указания, преди да използвате машината.

- Не включвайте продукта, ако върху него има гориво или моторно масло. Отстранете нежеланото гориво/масло и оставете продукта да изсъхне.
- Ако разлеете гориво по дрехите си, сменете ги незабавно.
- Внимавайте да не попадне гориво върху тялото Ви, това може да доведе до телесни увреждания. Ако гориво попадне върху тялото Ви, използвайте сапун и вода, за да го отстраните.

- Не стартирайте продукта, ако от двигателя има теч. Проверявайте редовно двигателя за течове.
- Внимавайте с горивото. Горивото е запалимо, изпаренията са взривоопасни и могат да причинят телесни увреждания или смърт.
- Не вдъшвайте горивните изпарения, това може да доведе до телесни увреждания. Уверете се, че има достатъчен въздушен поток.
- Не пушете близо до горивото или двигателя.
- Не поставяйте топли предмети близо до горивото или двигателя.
- Не добавяйте гориво, когато двигателят работи.
- Уверете се, че двигателят е изстинал преди зареждане с гориво.
- Преди зареждане с гориво отворете бавно капачката на резервоара за гориво и освободете внимателно налягането.
- Не добавяйте гориво към двигателя на закрито. Недостатъчният въздушен поток може да доведе до нараняване или смърт поради задушаване или въглероден окис.
- Затегнете капачката на резервоара за гориво докрай. Ако капачката на резервоара за гориво не е затегната, има риск от злополука.
- Преди да включите двигателя, преместете продукта най-малко на 3 м/10 ft от мястото, където сте заредили резервоара.
- Не зареждайте резервоара за гориво догоре. Топлината причинява увеличаване на обема на горивото. Оставете място в горната част на резервоара за гориво.

Инструкции за безопасност при техническо обслужване



ПРЕДУПРЕЖДЕНИЕ: Прочетете следващите предупредителни указания, преди да използвате машината.

- Спрете двигателя и се уверете, че режещото оборудване спира. Преди да извършите техническо обслужване, оставете продуктът да се охлади.
- Разкачете лулата на запалителната свещ, преди да извършите техническо обслужване.
- Отработените газове от двигателя съдържат въглероден окис, много опасен, отровен газ без миризма, който може да причини смърт. Не работете с продукта на закрито или в затворени пространства.
- Отработените газове от двигателя са горещи и могат да съдържат искри. Не стартирайте продукта на закрито или близо до запалими материали.
- Аксесоари и промени на продукта, които не са одобрени от производителя, могат да доведат до сериозно нараняване или смърт. Не правете

промени по продукта. Винаги използвайте оригинални принадлежности.

- Ако техническото обслужване не се изпълнява правилно и редовно, съществува повишена опасност от нараняване и повреда на продукта.
- Изпълнявайте техническото обслужване, както е посочено в настоящата инструкция за

експлоатация. Цялото обслужване трябва да се извършва от одобрен сервиз на McCULLOCH.

- Позволете одобрен McCULLOCH сервиз редовно да обслужва продукта.
- Заменете повредени, износени или счупени части.

Операция

Въведение



ПРЕДУПРЕЖДЕНИЕ: Прочетете и разберете раздела с инструкции за безопасност преди използване на продукта.

Гориво

Този продукт разполага с двутактов двигател.



ВНИМАНИЕ: Неподходящият тип гориво може да доведе до повреда на двигателя. Използвайте смес от бензин и масло за двутактови двигатели.

Предварително смесено гориво

- За постигане на оптимални работни характеристики и за удължаване на срока на експлоатация на двигателя използвайте предварително смесено алкилатно гориво на McCULLOCH. Това гориво съдържа по-малко вредни химикали в сравнение с обикновеното гориво и това намалява вредните отработени газове. С това гориво количеството остатъци след изгарянето е по-ниско, което запазва компонентите на двигателя по-чисти.

За изготвяне на горивна смес

Бензин

- Използвайте качествен безоловен бензин с максимално съдържание на етанол 10%.



ВНИМАНИЕ: Не използвайте бензин с октаново число по-малко от 90 RON/87 AKI. Използването на по-ниско октаново число може да доведе до детонационно горене в двигателя, което предизвиква повреда в него.

Масло за двутактов двигател

- За постигане на най-добри резултати и работни характеристики използвайте масло за двутактови двигатели на McCULLOCH.
- Ако не разполагате с масло за двутактови двигатели на McCULLOCH, използвайте

друго висококачествено масло за двутактови двигатели, разработено за двигатели с въздушно охлаждане. Говорете с дистрибутора по сервизното обслужване за избор на точното масло.



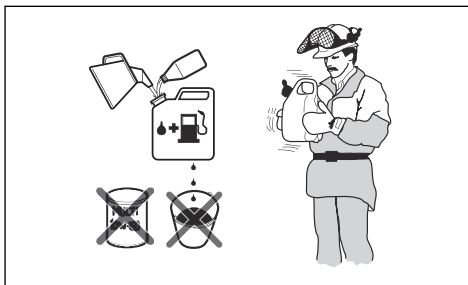
ВНИМАНИЕ: Не използвайте масло за извънбордови двутактови двигатели с водно охлаждане, понякога наричано извънбордово масло. Не използвайте масло за четиритактови двигатели.

Смесване на бензин и масло за двутактов двигател

Бензин, литри	Масло за двутактов двигател, литри
	2% (50:1)
5	0,10
10	0,20
15	0,30
20	0,40



ВНИМАНИЕ: Малки грешки могат да повлияят драстично на съотношението в сместа, когато смесвате малки количества гориво. Измервайте внимателно количеството масло, за да сте сигурни, че ще получите правилната смес.



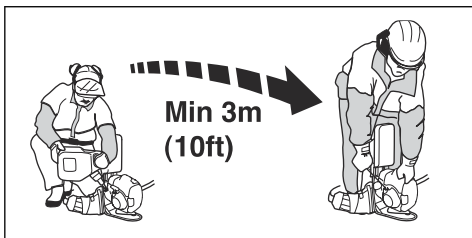
1. Налейте половината гориво в чист съд за гориво.
2. Добавете цялото количество масло.
3. Разклатете горивната смес.
4. Долейте останалото количество бензин в съда.
5. Разклатете внимателно горивната смес.



ВНИМАНИЕ: Не смесвайте количество гориво, което ще престои повече от 1 месец.

Пълнене на резервоара за гориво

1. Почистете областта около капачката на резервоара за гориво.
2. Разклатете контейнера и се уверете, че горивото е напълно смесено. Използвайте резервоар за гориво с клапан против разливане.
3. Отстранете капачката на резервоара за гориво.
4. Напълнете резервоара за гориво.
5. Затегнете капачката на резервоара за гориво внимателно.
6. Преди стартиране преместете продукта на 3 m (10 ft) или повече от мястото, където е извършено зареждането с гориво и където се намира източникът на горивото.

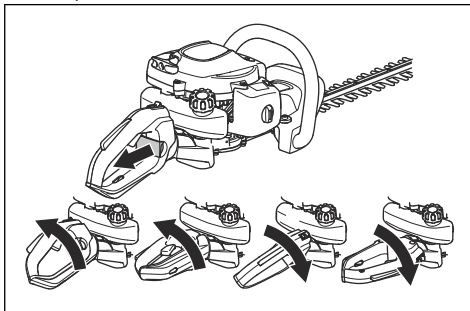


ВНИМАНИЕ: Замърсяването в резервоарите води до неизправности. Почиствайте редовно резервоара за гориво и резервоара за верижно масло и сменяйте горивния филтър веднъж годишно или по-често.

За регулиране на ръкохватката (ERGOLITE 6028)

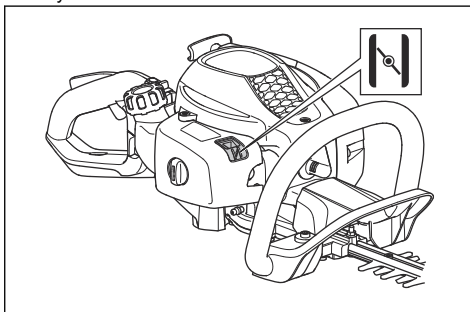
Задната ръкохватка може да се регулира в 5 позиции.

- Освободете заключването на дръжката и я завъртете.



За да стартирате продукта при студен двигател

1. Дръпнете смукача на положение "задействан смукач".



2. Натиснете купола на горивната помпа приблизително 6 пъти или докато горивото започне да запълва купола. Не е необходимо да се пълни докрай куполът на горивната помпа.
3. Дръжте корпуса на продукта на земята с лявата си ръка. Не стъпвайте върху продукта.
4. Дръпнете бавно дръжката на въжето за стартиране с дясната си ръка, докато не усетите съпротивление, след което дръпнете дръжката на въжето за стартиране бързо и със сила.



ПРЕДУПРЕЖДЕНИЕ: Не навивайте въжето за стартиране около ръката си.



ВНИМАНИЕ: Не дърпайте докрай въжето на стартера и не пускайте дръжката на въжето на стартера.

5. Продължете да дърпате дръжката на въжето на стартера, докато двигателят запали, след което натиснете смукача до първоначалното му положение.



ПРЕДУПРЕЖДЕНИЕ: При стартиране на двигателя резците се движат.

6. Продължете да дърпате дръжката на въжето на стартера, докато двигателят запали.
7. Натиснете и освободете регулатора за газта, за да установите двигателя до обороти на празния ход.
8. Натиснете постепенно регулатора на газта, за да увеличите оборотите на двигателя.
9. Уверете се, че двигателят работи плавно.

За да стартирате продукта при топъл двигател

1. Дръжте корпуса на продукта на земята с лявата си ръка. Не стъпвайте върху продукта.
2. Дръпнете бавно дръжката на въжето за стартиране с дясната си ръка, докато не усетите съпротивление, след което дръпнете дръжката на въжето за стартиране бързо и със сила. Продължете, докато двигателят стартира.

Забележка: За повече информация относно как да стартирате продукта направете справка с *За да стартирате продукта при студен двигател на страница 340.*

Спиране на продукта

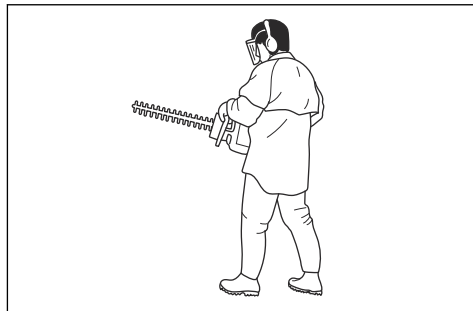
- За да изключите мотора, преместете превключвателя за спиране в положение за спиране.



ВНИМАНИЕ: Превключвателя за спиране автоматично се връща в положение за работа.

За да работите с продукта

1. Започнете близо до земята и местете продукта нагоре по плета, когато режете страните. Уверете се, че корпусът на продукта не докосва плета.



ПРЕДУПРЕЖДЕНИЕ:

Уверете се, че предната част на режещото оборудване не докосва земята.

2. Регулирайте скоростта за подравняване с работното натоварване.
3. Дръжте продукта близо до тялото си за стабилна работна позиция.
4. Внимавайте и използвайте продукта бавно.

Поддръжка

Въведение

за безопасност, преди да започнете техническо обслужване на продукта.



ПРЕДУПРЕЖДЕНИЕ: Прочетете и разберете главата с инструкции

Разписание за техническо обслужване

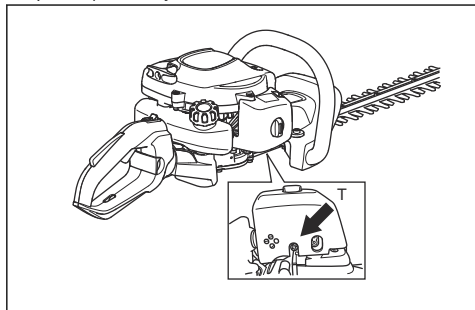
Техническо обслужване	Преди работа	След 40 часа	След 100 часа
Почистете външната повърхност.		След всяка работа.	
Почистете ауслуха, тръбата за отработени газове и двигателя от листа, мръсотия и излишно смазочно средство.		След всяка работа.	
Уверете се, че режещият апарат не се движи при обороти на празен ход.	X		
Извършете проверка на превключвателя за спиране. Направете справка с <i>За проверка на превключвателя за спиране на страница 336.</i>	X		
Проверете режещия апарат за повреди и пукнатини. Сменете при повреда.	X		

Техническо обслужване	Преди работа	След 40 часа	След 100 часа
Проверете предпазителя за ръцете за повреди и пукнатини. Сменете при повреда.	X		
Извършете проверка на блокировката на регулатора за газта и на регулатора за газта. Направете справка с <i>За проверка на блокировката на регулатора на газта на страница 336.</i>	X		
Проверете двигателя, резервоара за гориво и маркуча за гориво за течове.	X		
Затегнете гайките и винтовете.	X		
Почистете или сменете искрогасителната мрежа на ауспуха. Направете справка с <i>За извършване на проверка на ауспуха на страница 337.</i>		X	
Проверете стартера и стартерното въже за повреди.		X	
Извършете проверка дали винтовете, които придържат ножовете един към друг, са затегнати правилно.		X	
Почистете въздушния филтър. Почиствайте по-често, ако използвате в площи, в които има прах. Сменете при повреда.		X	
Проверете антивибрационните елементи за повреди и пукнатини. Сменете при повреда.		X	
Почистете външната повърхност на запалителната свещ и участъка около нея. Отстранете запалителната свещ и измерете разстоянието между електродите. Регулирайте разстоянието между електродите или сменете запалителната свещ. Направете справка с <i>За проверка на запалителната свещ на страница 343.</i>		X	
Почистете системата за охлаждане.		X	
Почистете външната повърхност на карбуратора и мястото около него.		X	
Проверете горивния филтър за замърсяване и маркуча за гориво за пукнатини и други дефекти. Сменете при повреда.			X
Почистете искрогасителната мрежа на ауспуха и я сменете, ако е повредена.			X
Почистете вътрешната повърхност на резервоара за гориво.			X
Сменете запалителната свещ.			X
Проверете съединителя, пружината на съединителя и барабана на съединителя за износване. Ако има повреда, трябва да се извърши смяна от одобрен сервизен дилър.			X
Уверете се, че корпусът на скоростната кутия е напълнен с грес.			X
Извършете проверка на всички кабели и връзки.			X

Регулиране на оборотите на празния ход

1. Почистете въздушния филтър и поставете капака на въздушния филтър.
2. Стартирайте продукта. Вижте *За да стартирате продукта при студен двигател на страница 340.*

3. Завъртете регулиращия винт за празен ход T по посока на часовниковата стрелка, докато режещият модул започне да се движи.



4. Завъртете регулиращия винт за празен ход обратно на часовниковата стрелка, докато режещият модул спре.

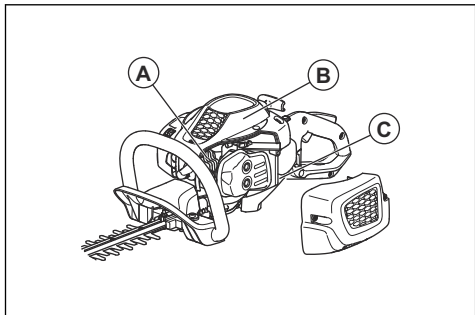


ПРЕДУПРЕЖДЕНИЕ: Ако режещият модул не спира, когато регулирате оборотите на празния ход, обърнете се към най-близкия сервизен търговец. Не използвайте продукта, докато не бъде правилно регулиран или ремонтиран.

Забележка: Оборотите на празния ход са правилни, когато двигателят работи плавно във всяко положение. За препоръчителните обороти на празния ход направете справка с *Технически данни на страница 347*.

За почистване на системата за охлаждане

Системата за охлаждане поддържа ниска температурата на двигателя. Системата за охлаждане включва охладителните ребра на цилиндъра (A), капака на цилиндъра (B) и смукателния въздухопровод през картера (C).



ВНИМАНИЕ: Смукателният въздухопровод между резервоара за гориво и картера лесно може да се блокира от листа. Почистете изцяло смукателния въздухопровод.

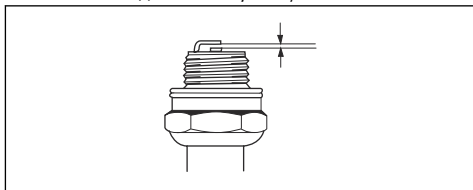
1. Почиствайте с четка системата за охлаждане ежеседмично или по-често, ако е необходимо.
2. Проверете дали системата за охлаждане не е замърсена или задръстена.

За проверка на запалителната свещ



ВНИМАНИЕ: Използвайте винаги запалителните свещи от препоръчания вид. Използването на запалителна свещ от неправилен тип може да повреди продукта.

- Проверете запалителната свещ, ако двигателят е с понижена мощност, стартира трудно или работи неправомерно при обороти на празен ход.
- За да намалите опасността от попадане на нежелани материали върху електродите на запалителната свещ, следвайте тези инструкции:
 - a) Проверете дали оборотите на празния ход са правилно регулирани.
 - b) Уверете се, че горивната смес е правилна.
 - c) Уверете се, че въздушният филтър е чист.
- Ако запалителната свещ е замърсена, почистете я и проверете дали разстоянието между електродите е правилно, направете справка с *Технически данни на страница 347*.

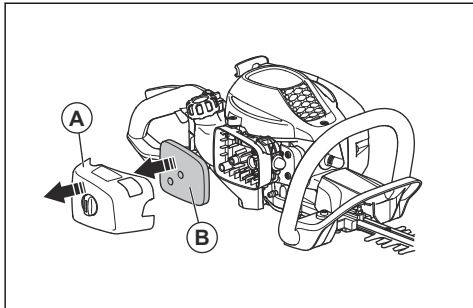


- Сменете запалителната свещ, ако е необходимо.

Почистване на въздушния филтър

Почиствайте редовно въздушния филтър от замърсявания и прах. Това предотвратява неизправности на карбуратора, проблеми при стартиране, загуба на мощност на двигателя, износване на части на двигателя и по-голям от обичайния разход на гориво.

1. Махнете капака на въздушния филтър (А).



2. Отстранете въздушния филтър (В) от рамата на филтъра.
3. Почистете въздушния филтър с топла сапунена вода.



ВНИМАНИЕ: Въздушен филтър, който е използван дълго време, не може да се изчисти напълно. Сменяйте редовно въздушния филтър и винаги сменяйте дефектните въздушни филтри.

4. Уверете се, че въздушният филтър е сух.
5. Нанесете масло върху въздушния филтър. Вижте *За да нанесете масло върху порестия въздушен филтър на страница 344.*
6. Почистете вътрешната повърхност на капака на въздушния филтър. Използвайте сгъстен въздух или четка.

За да нанесете масло върху порестия въздушен филтър



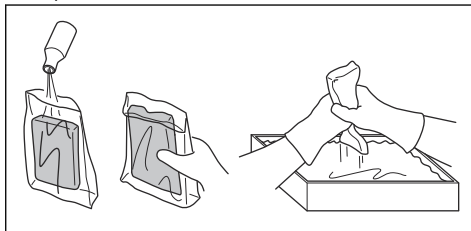
ВНИМАНИЕ: Винаги използвайте специално масло за въздушен филтър на McCULLOCH. Не използвайте други типове масла.



ПРЕДУПРЕЖДЕНИЕ: Сложете защитни ръкавици. Маслото за въздушния филтър може да причини раздразнение на кожата.

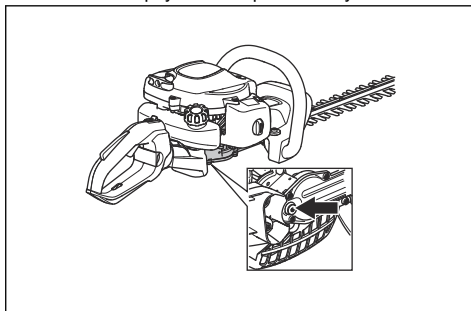
1. Поставете порестия въздушен филтър в найлонова торбичка.
2. Поставете маслото в найлоновата торбичка.
3. Разтрийте найлоновата торбичка, за да разнесете маслото равномерно върху порестия въздушен филтър.

4. Отстранете излишното масло от порестия въздушен филтър, докато е в найлоновата торбичка.



За смазване на корпуса на скоростната кутия

- Използвайте специална грес McCULLOCH. Говорете с Вашия дистрибутор по обслужването за повече информация относно препоръчителна грес.
- Добавете геста през капачката на резервоара за смазка на корпуса на скоростната кутия.



ВНИМАНИЕ: Не пълнете до горе корпуса на скоростната кутия.

За почистване и смазване на ножовете

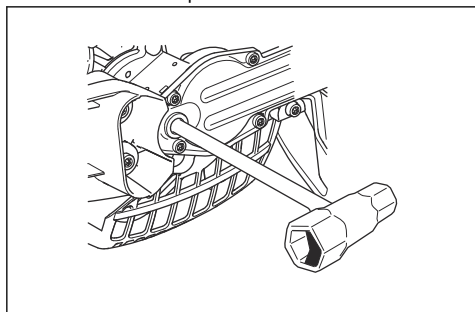
1. Почистете резците от нежелани материали преди и след използване на Вашия продукт.
2. Смажете резците преди дълги периоди на съхранение.

Забележка: Обърнете се към Вашия сервизен търговец за повече информация относно препоръчителните почистващи препарати и смазки.

За проверка на ножовете

1. Отстранете капачката на резервоара за смазка от корпуса на скоростната кутия.

2. Уверете се, че остриетата се движат свободно. Поставете комбинирания гаечен ключ в корпуса на скоростната кутия и завъртете по часовниковата стрелка и обратно на часовниковата стрелка.



3. Проверете ръбовете на остриетата за повреди и деформация.
4. Използвайте пила за отстраняване на неравности върху остриетата.

Отстраняване на проблеми

Отстраняване на проблеми

Двигателят не се стартира		
Проблем	Възможна причина	Препоръчителна стъпка
Зъбци на стартера	Зъбците на стартера не могат да се движат свободно.	Регулирайте или сменете зъбците на стартера.
		Почистете около зъбците на стартера.
		Обърнете се към одобрен сервизен търговец.
Резервоар за гориво	Неправилен тип гориво.	Източете го и използвайте правилно гориво.
Карбуратор	Неправилни обороти на празния ход.	Регулирайте оборотите на празния ход.
Без искра	Запалителната свещ е замърсена или влажна.	Уверете се, че запалителната свещ е суха и чиста.
		Почистете запалителната свещ. Уверете се, че разстоянието между електродите на запалителната свещ е правилно. Уверете се, че запалителната свещ е монтирана със супресор.
	Неправилно разстояние между електродите.	Направете справка с <i>Технически данни на страница 347</i> за точното разстояние между електродите.
Запалителна свещ	Запалителната свещ е разхлабена.	Затегнете запалителната свещ.

Двигателят стартира, но спира отново		
Проблем	Възможна причина	Препоръчителна стъпка
Резервоар за гориво	Неправилен тип гориво.	Източете го и използвайте правилно гориво.

Двигателят стартира, но спира отново		
Проблем	Възможна причина	Препоръчителна стъпка
Карбуратор	Неправилни обороти на празния ход.	Регулирайте оборотите на празния ход. Вижте <i>Регулиране на оборотите на празния ход на страница 342</i> . Обърнете се към Вашия сервизен търговец, ако е необходимо.
Въздушен филтър	Запушен въздушен филтър.	Почистете въздушния филтър.

Нож		
Проблем	Възможни причини	Препоръчителна стъпка
Резецът се движи бавно или не се движи.	Резецът е блокиран или повреден.	Почистете резците от нежелани материали. Вижте <i>За почистване и смазване на ножовете на страница 344</i> . Отстранете неравностите по резеца, направете справка с <i>За проверка на ножовете на страница 344</i> . Подменете ножа, ако е повреден.
Резецът не реже с лекота.	Резецът не е остър или е повреден.	Заточете резеца, направете справка с <i>За проверка на ножовете на страница 344</i> . Подменете ножа, ако е повреден.
Резецът се нагорещява.	Има триене между резците.	Отстранете неравностите по резеца и го смажете. Вижте <i>За проверка на ножовете на страница 344</i> .

Транспортиране, съхранение и изхвърляне

Транспорт и съхранение

- Винаги оставяйте продукта да се охлади преди съхранение.
- При съхранението и транспортирането на продукта и горивото се уверете, че няма течове или изпарения. Искри или открит огън, например от електрически уреди или котли може да възникне пожар.
- Винаги използвайте одобрени контейнери за съхранение и транспортиране на гориво.
- Изпразнете горивото преди транспортиране или преди дългосрочно съхранение. Изхвърлете горивото на подходящо за целта място.
- Закрепете защитата при транспортиране по време на транспортиране и съхранение.
- Отстранете лулата на запалителната свещ от запалителната свещ.

- Закрепете продукта преди транспортиране. Уверете се, че не може да се движи.
- Почистете и извършете обслужване на продукта преди съхранение за дълъг период.

Изхвърляне

- Съблюдавайте местните изисквания и приложимите разпоредби.
- Изхвърлете всички химикали, например моторно масло или гориво, в сервизен център или на подходящо място за изхвърляне.
- Изхвърлете продукта в одобрен пункт за изхвърляне или го изпратете на McCULLOCH за изхвърляне.

Технически данни

Технически характеристики

Технически характеристики	SUPERLITE 4528	ERGOLITE 6028
Двигател		
Работен обем на цилиндъра, cm ³	21,7	21,7
Обороти на празен ход, об/мин	2800	2800
Препоръчителна макс. скорост, об/мин	9000	9000
Максимална мощност на двигателя, в съответствие с ISO 8893, kW / об/мин	0,6/7800	0,6/7800
Ауслух с катализатор	Да	Да
Запалителна система		
Запалителна свещ	HQT-4 672201	HQT-4 672201
Разстояние между електродите, mm	0,5	0,5
Гориво		
Капацитет на резервоара за гориво, l	0,3	0,3
Тегло		
Тегло, kg	4,8	5,0
Шумови емисии ⁶¹		
Ниво на звуковата мощност, измерено, измерена dB (A)	100	100
Ниво на звуковата мощност, гарантирано L _{WA} dB (A)	101	101
Нива на шума ⁶²		
Еквивалентно ниво на звуковото налягане при ухото на оператора, измерено съгласно EN ISO 10517, dB(A)	93	93
Нива на вибрациите ⁶³		
Еквивалентни нива на вибрации (a _{hν,eq}) в ръкохватките, измерени съгласно EN ISO 10517, m/s ² :		
Предна/задна, mm/s ²	3,5/4,4	4,1/5,2
Ножове		

⁶¹ Емисии на шума в околната среда, измерени като звукова мощност (L_{WA}) в съответствие с директива на ЕО 2000/14/ЕО. Отчетеното ниво на звуковата мощност за продукта е измерено с оригиналната режеща приставка, която създава най-високото ниво. Разликата между гарантираната и измерената звукова мощност е в това, че гарантираната звукова мощност включва също и дисперсията в резултата от измерването, както и вариациите между различните продукти от един и същи модел съгласно Директива 2000/14/ЕО.

⁶² Отчетените данни за нивото на звуковото налягане имат типична статистическа дисперсия (стандартно отклонение) от 1 dB (A).

⁶³ Отчетените данни за нивото на вибрациите имат типична статистическа дисперсия (стандартно отклонение) от 1 m/s².

Технически характеристики	SUPERLITE 4528	ERGOLITE 6028
Тип	Двустраниен	Двустраниен
Дължина на рязане, mm	450	590
Скорост на рязане, среза/мин	4050	4050

Декларация за съответствие на ЕО

Декларация за съответствие на ЕС

Ние, **Husqvarna AB**, SE-561 82 Huskvarna, Швеция,
тел.: +46-36-146500, декларираме на своя собствена
отговорност, че продуктът:

Описание	Ножици за кастрене на жив плет
Марка	McCULLOCH
Тип/модел	SUPERLITE 4528, ERGOLITE 6028
Идентификация	Серийни номера от 2022 и нататък

отговаря напълно на следните директиви и
регламенти на ЕС:

Регламент	Описание
2006/42/ЕО	"относно машините"
2014/30/ЕС	"относно електромагнитната съвместимост"
2000/14/ЕО	"относно шумовите емисии в околната среда, приложение V"
2011/65/ЕС	"по отношение на ограничението за използване на определени опасни вещества в електрическо и електронно оборудване"

и че следните стандарти и/или технически
спецификации са приложени: EN ISO 12100:2010,
EN ISO 10517:2019, EN IEC 63000:2018, EN ISO
14982:2009.

Упълномощен орган: RISE SMP Svensk
Maskinprovning AB., Box 7035, SE-750 07 Uppsala,
Sweden, извърши доброволно изпитване на типа от
името на Husqvarna AB.

Номер на сертификат: SEC/11/2327

За информация относно шумови емисии направете
справка с *Технически характеристики на страница
347.*

Huskvarna, 2022-02-15

Стефан Холмберг, мениджър на Handheld Global,
мениджър на лабораторията на НН – глобални
услуги, Husqvarna AB

Отговорен за техническата документация

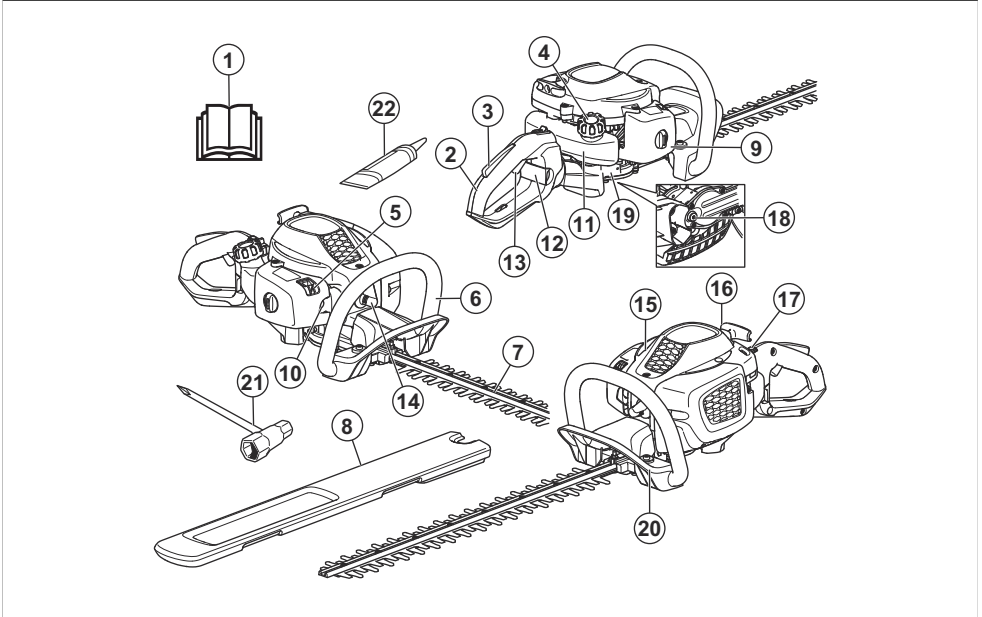


CUPRINS

Introducere.....	350	Depanarea.....	362
Siguranță.....	351	Transportul, depozitarea și eliminarea.....	363
Funcționarea.....	356	Date tehnice.....	364
Întreținerea.....	359	Declarație de conformitate CE.....	366

Introducere

Prezentarea generală a produsului



1. Manualul operatorului
2. Mâner spate
3. Element blocare pârghie accelerație
4. Bușon rezervor de carburant
5. Acționare șoc
6. Mâner frontal
7. Disc și apărătoare disc
8. Apărătoare de transport
9. Capac filtru de aer
10. Buton purjor aer
11. Rezervor de carburant
12. Mecanism de blocare a mânerului (ErgoLite)
13. Pârghie accelerație
14. Pipa bujiei și bujia
15. Capac cilindru
16. Mâner pentru șnurul de pornire

17. Comutator de oprire
18. Capac bușon lubrifiant
19. Carcasă angrenaj
20. Apărătoare de mână
21. Cheie combinată
22. Tub de unsoare

Descrierea produsului

Acest produs este un foarfece de grădină cu un motor cu combustie internă.

Domeniul de utilizare

Utilizați produsul pentru a tăia ramurile și crengile. Nu utilizați produsul pentru alte sarcini.

Simbolurile de pe produs



AVERTISMENT! Acest produs poate fi periculos și poate cauza vătămări corporale grave sau decesul operatorului sau al altor persoane. Acționați cu grijă și utilizați corect produsul.



Citiți cu atenție manualul operatorului și asigurați-vă că înțelegeți instrucțiunile înainte de utilizare.



Utilizați protecția de auz și ochelarii de protecție aprobate.



Utilizați mănuși de protecție omologate.



Utilizați ghete pentru regim greu de lucru, rezistente la alunecare.



Buton purjor.



Șoc.



Blocare pentru reglarea mânerului.



Carburant.



Emisiile de zgomot în mediu, conform Directivei Europene 2000/14/CE și a Regulamentului New South Wales din 2017 privind operațiunile de protecție a mediului (controlul zgomotului). Datele privind emisiile de zgomot pot fi găsite pe eticheta utilajului și la capitolul Date tehnice.



Produsul este în conformitate cu directivele CE aplicabile.

aaaassxxx

Plăcuța de identificare indică seria. **aaaa** este anul de producție și **ss** este săptămâna de producție.

Nota: Celelalte simboluri/etichete de pe produs se referă la cerințele de certificare pentru anumite piețe.

Emisiile de Euro V



AVERTISMENT: În urma modificării neautorizate a motorului, este anulată aprobarea de tip UE pentru acest produs.

Siguranță

Definiții privind siguranța

Avertismentele, atenționările și notele sunt utilizate pentru a desemna părți foarte importante din manual.



AVERTISMENT: Se utilizează dacă există risc de vătămare sau de deces pentru operator sau pentru trecători, în cazul în care instrucțiunile din manual nu sunt respectate.



ATENȚIE: Se utilizează dacă există un risc de deteriorare a produsului, a altor materiale sau a zonelor învecinate, dacă instrucțiunile din manual nu sunt respectate.

Nota: Se utilizează pentru a furniza mai multe informații care sunt necesare într-o situație dată.

Instrucțiuni generale de siguranță



AVERTISMENT: Înainte de a utiliza produsul, citiți instrucțiunile de avertizare de mai jos.

- Utilizarea incorectă sau neatentă a produsului îl poate transforma într-o unealtă periculoasă, care poate cauza vătămări corporale grave sau chiar mortale. Este foarte important să citiți și să înțelegeți conținutul acestui manual de utilizare.
- În timpul funcționării, acest produs generează un câmp electromagnetic. În anumite condiții, acest câmp poate interfera cu implanturile medicale active sau pasive. Pentru a reduce riscul vătămare gravă sau de deces, recomandăm persoanelor cu implanturi medicale să se consulte cu medicul și cu producătorul implantului medical înainte de a utiliza acest produs.

- Expunerea prelungită la vibrații poate conduce la afecțiuni circulatorii sau la deteriorări ale nervilor la persoanele care au o circulație defectuoasă. Contactați-vă medicul dacă prezentați simptome de expunere prelungită la vibrații. Astfel de simptome includ amorțeală, pierderea sensibilității tactile, furnicături, înțepături, durere, pierderea forței, modificări în culoarea sau starea pielii. Aceste simptome apar în mod normal la degete, mâini sau încheieturi. Riscul crește la temperaturi scăzute.
- Utilizarea amortizorului de zgomot și a sitei parascânteii poate ține sub control particulele de combustie cancerigene. Evitați expunerea la acești compuși când manevrați amortizorul de zgomot sau sitea parascânteii. Citiți instrucțiunile din *Verificarea amortizorului de zgomot la pagina 354* înainte de a manevra amortizorul de zgomot sau sitea parascânteii.
- Dacă întâlniți o situație în care nu știți sigur cum să procedați, trebuie să întrebați un specialist. Contactați distribuitorul sau atelierul de service. Evitați utilizările care, în opinia dvs., vă depășesc abilitățile.
- Rețineți că operatorul este responsabil pentru accidente sau pentru riscuri produse altor persoane sau bunurilor acestora.
- Nu permiteți nimănui să folosească produsul înainte de a vă asigura că a înțeles conținutul manualului de utilizare.
- Nu permiteți copiilor să folosească produsul sau să stea în apropierea acestuia. Deoarece produsul este echipat cu un comutator de oprire acționat de arc și poate fi pornit prin acționarea mânerului de pornire cu viteză și forță scăzute, în anumite împrejurări chiar și copiii mici pot produce forța necesară pentru pornirea produsului. Există riscul unor vătămări corporale grave. Prin urmare, îndepărtați capacul bujiei dacă produsul nu se află sub supraveghere atentă.
- Nu depozitați produsul la îndemâna copiilor.
- Nu utilizați niciodată produsul dacă sunteți obosit, dacă ați consumat alcool sau dacă luați medicamente care v-ar putea afecta vederea, judecata sau coordonarea.
- Nu utilizați niciodată un produs care este defect. Efectuați verificările, operațiile de întreținere și de service descrise în acest manual. Anumite operații de întreținere și de service trebuie efectuate de specialiști instruiți și calificați. Consultați instrucțiunile din subcapitolul *Întreținerea*.
- Nu utilizați niciodată un produs care a fost modificat în orice mod față de specificația sa inițială.
- Nu utilizați niciodată produsul în condiții meteorologice extreme, precum climă cu temperaturi extrem de scăzute, foarte ridicate și/sau climă umedă.
- Discurile defecte pot crește pericolul de accidente.
- Asigurați-vă că nicio persoană și niciun animal nu se apropie la mai puțin de 15 m / 50 ft. în timp ce lucrați.
- Respectați mediul înconjurător și asigurați-vă că nu există riscul ca alte persoane sau animale să vină în contact cu echipamentul de tăiere.
- Inspectați zona de lucru. Îndepărtați orice obiecte care ar putea fi proiectate.
- Asigurați-vă întotdeauna că aveți o poziție de lucru sigură și stabilă.
- Nu lăsați niciodată produsul nesupravegheat cu motorul în funcțiune.
- Asigurați-vă că mâinile și picioarele nu se apropie de dispozitivul de tăiere atunci când motorul este pornit.
- În cazul în care discurile sunt blocate în timpul lucrului, deconectați motorul și așteptați oprirea completă a acestuia înainte de a curăța discurile. Deconectați pipa bujiei de la bujie.
- Când motorul este oprit, țineți mâinile și picioarele la distanță de dispozitivul de tăiere până când acesta s-a oprit complet.
- Atenție la cioturile de ramuri care pot fi aruncate în timpul tăierii.
- Ascultați semnalele de avertisment sau strigătele când purtați echipament pentru protecția auzului. Îndepărtați echipamentul pentru protecția auzului imediat ce se oprește motorul.
- Nu lucrați niciodată de pe o scară, un taburet sau din orice altă poziție ridicată care nu este complet fixată.
- Utilizați întotdeauna ambele mâini pentru a ține produsul. Țineți produsul în fața corpului dvs.
- Dacă a loviți un obiect sau dacă observați vibrații, opriți imediat produsul. Deconectați pipa bujiei de la bujie. Asigurați-vă că produsul nu este deteriorat. Remediați orice defecțiuni.
- Asigurați-vă că pipa bujiei și cablul de aprindere nu sunt deteriorate, pentru a preveni riscul de șoc electric.
- Verificați ca toate șuruburile și piulițele să fie bine strânse.
- Asigurați-vă că cutia de viteze este unsă corect. Consultați *Pentru a unge carcasa angrenajului la pagina 361*.
- Cutia de viteze se înfierbântă când produsul este utilizat. Pentru a evita arsurile, nu atingeți cutia de viteze.
- Înainte de pornire trebuie montate toate capacele și apărătorile.
- Dacă discurile se blochează, acestea pot fi eliberate introducând cheia combinată în cutia de viteze. Introduceți cheia combinată în angrenaj și rotiți-o înainte și înapoi. Consultați *Pentru a unge carcasa angrenajului la pagina 361*.

Instrucțiuni de siguranță pentru utilizare



AVERTISMENT: Înainte de a utiliza produsul, citiți instrucțiunile de avertizare de mai jos.

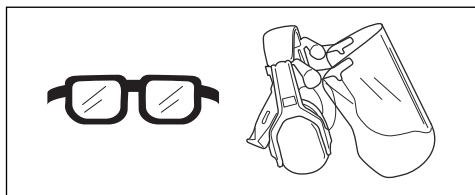
- Apărătoarea pentru transport trebuie montată întotdeauna pe dispozitivul de tăiere când produsul nu este în uz.

Echipament de protecție personală

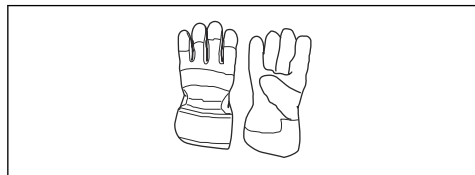


AVERTISMENT: Înainte de a utiliza produsul, citiți instrucțiunile de avertizare de mai jos.

- Utilizați întotdeauna echipamente de protecție personală atunci când folosiți produsul. Echipamentele de protecție personală nu pot elimina complet riscul de rănire, însă pot reduce gravitatea rănilor în cazul unui accident. Distribuitorul vă poate ajuta să alegeți echipamentul corect.
- Purtați echipament de protecție pentru urechi aprobat pentru utilizare, care asigură reducerea adecvată a zgomotului. Expunerea pe termen lung la zgomot poate avea ca rezultat o afecțiune ireversibilă a auzului.
- Utilizați ochelari de protecție omologați. Dacă utilizați un vizor de protecție, trebuie să purtați și ochelari de protecție. Ochelarii de protecție trebuie să fie compatibili cu standardul ANSI Z87.1 în S.U.A. sau EN 166 în țările UE.



- Purtați mănuși atunci când este necesar, de exemplu atunci când conectați, inspectați sau curățați echipamentul de tăiere.



- Utilizați ghete sau pantofi solizi, cu talpă antiderapantă.



- Purtați haine din țesături rezistente. Purtați întotdeauna pantaloni lungi, din material gros, și

îmbrăcăminte cu mâneci lungi. Nu purtați haine largi, care se pot prinde în smicele și ramuri. Nu purtați bijuterii, șort, sandale și nu lucrați în picioarele goale. Strângeți-vă părul în siguranță, deasupra nivelului umărului.

- Păstrați la îndemână echipament de prim ajutor.



Dispozitivele de siguranță de pe produs

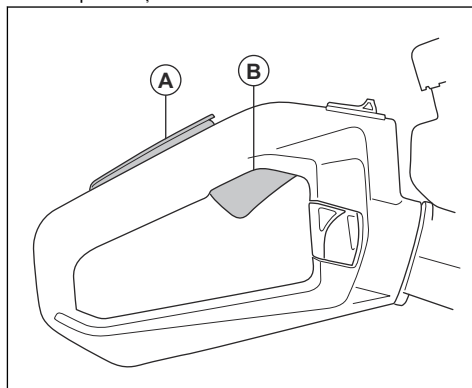


AVERTISMENT: Înainte de a utiliza produsul, citiți instrucțiunile de avertizare de mai jos.

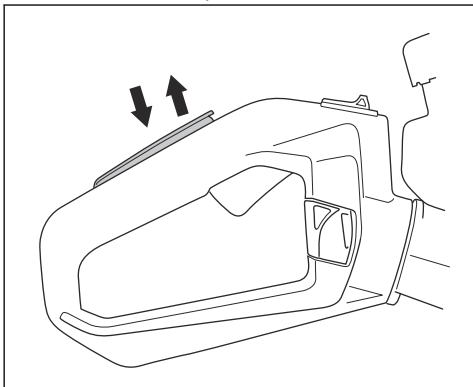
- Nu utilizați un produs cu dispozitive de siguranță deteriorate.
- Verificați regulat dispozitivele de siguranță. Dacă dispozitivele de siguranță sunt defecte, contactați agentul de service McCULLOCH.

Verificarea opritorului pârghie de accelerație

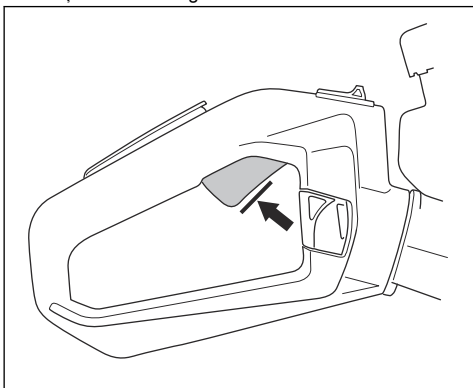
1. Asigurați-vă că opritorul pârghie de accelerație (A) și pârghia de accelerație (B) se mișcă liber și că arcul de rapel funcționează corect.



2. Apăsăți mecanismul de blocare al pârghiei de accelerație și asigurați-vă că revine la poziția inițială atunci când îl eliberați.



3. Eliberați opritorul pârghiei de accelerație și asigurați-vă că pârghia de accelerație este blocată în poziția turajiei de mers în gol.



4. Porniți motorul și aplicați accelerație maximă.
5. Eliberați pârghia de accelerație și asigurați-vă că discurile se opresc complet.



AVERTISMENT: Dacă discurile se mișcă atunci când pârghia de accelerație este în poziția turajiei de mers în gol, atunci reglați turajia de mers în gol. Consultați *Pentru a regla turajia de mers în gol la pagina 360*.

Pentru a verifica comutatorul de oprire

1. Porniți motorul.
2. Deplasați comutatorul de oprire în poziția de oprire și asigurați-vă că motorul se oprește.



AVERTISMENT: Comutatorul de oprire revine automat la poziția de pornire.

Pentru a preveni pornirea accidentală, demontați pipa bujiei de pe bujie când asamblați sau realizați întreținerea produsului.

Verificarea apărătoarei de mână

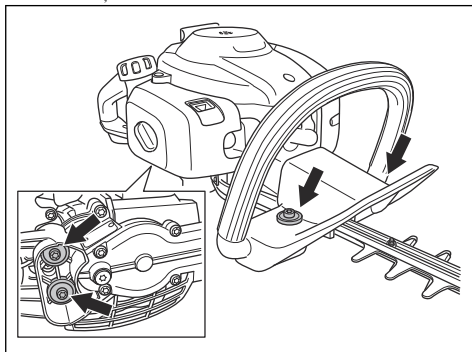
Apărătoarea de mână previne vătămările corporale cauzate de discuri.

1. Opriți motorul.
2. Asigurați-vă că apărătoarea de mână este orientată corect.
3. Verificați dacă apărătoarea de mână este deteriorată.

Pentru a verifica sistemul de amortizare a vibrațiilor

Sistemul de amortizare a vibrațiilor reduce vibrațiile din mână. Unitățile de amortizare a vibrațiilor funcționează ca separare dintre corpul produsului și mâner.

1. Verificați vizual dacă există deformare și deteriorare.
2. Asigurați-vă că unitățile de amortizare a vibrațiilor sunt atașate corect.



Verificarea amortizorului de zgomot



AVERTISMENT: Nu acționați niciodată produsul fără amortizor de zgomot sau cu un amortizor de zgomot defect. Un amortizor de zgomot defect poate crește nivelul de zgomot și pericolul de incendiu. Nu utilizați produsul fără o sită parascântei sau cu o sită parascântei stricată. Sita parascântei trebuie înlocuită dacă este deteriorată.



AVERTISMENT: Utilizarea unui amortizor de zgomot și a unei site parascântei poate ține sub control particulele de combustie cancerigene. Utilizați mănuși de protecție și efectuați lucrările de întreținere într-un mediu bine aerisit, pentru a evita contactul cu particulele

cancerigene și inhalarea acestora. Nu folosiți aer sub presiune pentru a curăța sita parascânteii. Folosiți o perie de sârmă și periați departe de corpul dvs. când curățați sita parascânteii.



AVERTISMENT: Amortizoarele de zgomot devin foarte fierbinți în timpul utilizării și după utilizare, de asemenea, la turație de mers în gol.



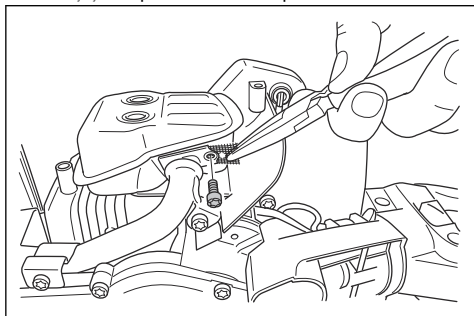
ATENȚIE: Dacă sita parascânteii se înfundă frecvent, acesta poate fi un semn că performanța convertorului catalitic este afectată. Contactați atelierul de service pentru a examina amortizorul de zgomot. O sită parascânteii înfundată va duce la supraîncălzire și la deteriorarea cilindrului și a pistonului.



AVERTISMENT: Suprafețele interioare ale amortizorului de zgomot conțin substanțe chimice cancerigene. Aveți grijă să nu atingeți aceste elemente dacă amortizorul de zgomot este deteriorat.

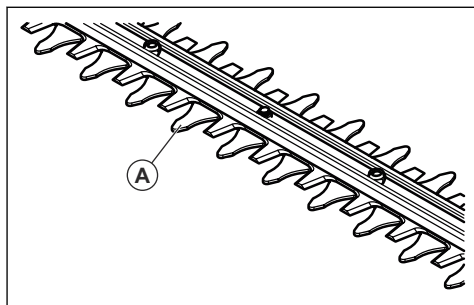
Amortizorul de zgomot este proiectat pentru a reduce la minimum nivelul de zgomot și pentru a dirija gazele de eșapament departe de utilizator. Un amortizor de zgomot cu un convertor catalitic reduce gazele de eșapament dăunătoare.

1. Opriți motorul.
2. Verificați vizual deteriorările și deformările.
3. Asigurați-vă că amortizorul de zgomot este corect atașat la produs.
4. Curățați sita parascânteii cu o perie din sârmă.

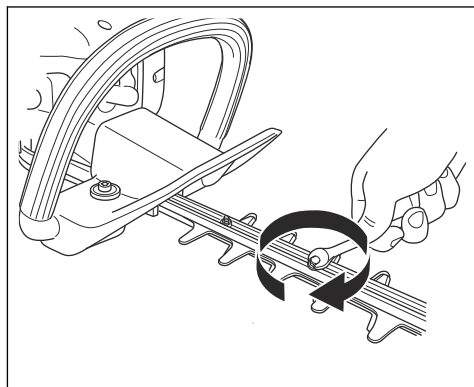


Pentru a verifica discul frezei și apărătoarea discului

Părțile exterioare ale discurilor (A) au funcția de apărătoare de disc. Apărătoarea discului protejează, de asemenea, operatorul împotriva contactului accidental cu discul.



1. Opriți motorul și asigurați-vă că dispozitivul de tăiere se oprește.
2. Scoateți pipa bujiei din bujie.
3. Purtați mănuși de protecție.
4. Asigurați-vă că discul și apărătoarea de disc nu sunt deteriorate sau îndoit. Înlocuiți întotdeauna un disc deteriorat sau îndoit.
5. Asigurați-vă că șuruburile de pe dispozitivul de tăiere sunt atașate. Strângeți șuruburile la un cuplu de 7-10 Nm.



Reguli de siguranță referitoare la carburant



AVERTISMENT: Înainte de a utiliza produsul, citiți instrucțiunile de avertizare de mai jos.

- Nu porniți produsul dacă pe acesta se află carburant sau ulei pentru motor. Îndepărtați carburantul/uleiul nedorit și lăsați produsul să se usuce.
- Dacă vărsați carburantul pe îmbrăcăminte, schimbați imediat hainele.
- Nu vărsați carburantul pe corp - poate provoca vătămări corporale. Dacă vărsați carburant pe corp, utilizați apă și săpun pentru a elimina carburantul.
- Nu porniți produsul dacă motorul prezintă scurgeri. Examinați cu regularitate motorul, pentru a identifica eventuale scurgeri.

- Manipulați cu atenție carburantul. Carburantul este inflamabil, vaporii sunt explozivi și pot cauza vătămări corporale sau deces.
- Nu respirați vaporii de carburant, se pot produce vătămări corporale. Asigurați-vă că fluxul de aer este suficient.
- Nu fumați în apropierea carburantului sau a motorului.
- Nu amplasați obiecte calde în apropierea carburantului sau a motorului.
- Nu adăugați carburant atunci când motorul este pornit.
- Asigurați-vă că motorul este rece înainte de a realimenta.
- Înainte de a realimenta, deschideți lent capacul rezervorului de carburant și eliberați cu atenție presiunea.
- Nu adăugați carburant la motor într-o zonă interioară. Un flux de aer insuficient poate cauza vătămare corporală sau deces din cauza asfixierii sau a monoxidului de carbon.
- Strângeți până la capăt capacul rezervorului de carburant. Dacă acesta nu este strâns, există pericol de incendiu.
- Înainte de pornire, mutați produsul la o distanță de minimum 3 m/10 ft față de poziția unde ați umplut rezervorul.
- Nu umpleți complet rezervorul de carburant. Căldura provoacă dilatarea carburantului. Păstrați un gol în partea de sus a rezervorului de carburant.
- Opriti motorul și asigurați-vă că dispozitivul de tăiere se oprește. Lăsați produsul să se răcească înainte de a efectua operațiile de întreținere.
- Deconectați pipa bujiei înainte de a efectua operații de întreținere.
- Gazele de eșapament ale motorului conțin monoxid de carbon, un gaz inodor, toxic și deosebit de periculos, care poate cauza decesul. Nu porniți produsul în interior sau în spații închise.
- Gazele de eșapament de la motor sunt fierbinți și pot conține scântei. Nu utilizați produsul în interior sau în apropierea unor materiale inflamabile.
- Accesoriile și modificările aduse produsului care nu sunt autorizate de către producător pot provoca vătămări corporale grave sau fatale. Nu modificați produsul. Utilizați întotdeauna accesoriile originale.
- Dacă întreținerea nu se efectuează corect și periodic, există un pericol sporit de vătămări corporale și de deteriorare a produsului.
- Efectuați întreținerea numai conform recomandărilor din prezentul manual al operatorului. Permiteți unui agent de service McCULLOCH autorizat să efectueze toate celelalte operații de service.
- Solicitați unui agent de service autorizat McCULLOCH să efectueze în mod regulat operații de service la produs.
- Înlocuiți piesele deteriorate, uzate sau defecte.

Instrucțiuni de siguranță pentru întreținere



AVERTISMENT: Înainte de a utiliza produsul, citiți instrucțiunile de avertizare de mai jos.

Funcționarea

Introducere



AVERTISMENT: Citiți și înțelegeți capitoul referitor la siguranță înainte de utilizarea produsului.

Carburant

Acest produs dispune de motor în doi timpi.



ATENȚIE: Tipul incorect de carburant poate deteriora motorul. Utilizați un amestec de benzină și de ulei pentru motoare în doi timpi.

Carburant preamestecat

- Utilizați carburantul alchilat preamestecat McCULLOCH pentru cele mai bune performanțe și prelungirea duratei de viață a motorului. Acest carburant conține substanțe chimice mai puțin nocive în comparație cu carburantul obișnuit, ceea ce reduce nivelul gazelor de eșapament nocive. Cantitatea de resturi după ardere este mai mică în cazul acestui carburant, care păstrează componentele motorului mai curate.

Pentru amestecarea carburantului

Benzină

- Utilizați benzină fără plumb de calitate cu un conținut maxim de 10% etanol.



ATENȚIE: Nu utilizați benzină cu o cifră octanică mai mică de 90 RON/87 AKI. Utilizarea unui carburant cu o cifră octanică inferioară poate provoca bătaie la motor, ceea ce duce la defectarea motorului.

Ulei pentru motoare în doi timpi

- Pentru cele mai bune rezultate și performanțe, utilizați uleiul pentru motoare în doi timpi McCULLOCH.
- Dacă uleiul McCULLOCH pentru motoare în doi timpi nu este disponibil, utilizați un ulei pentru motoare în doi timpi de bună calitate pentru motoare răcite cu aer. Adresați-vă reprezentantului dvs. de service pentru a alege uleiul corect.



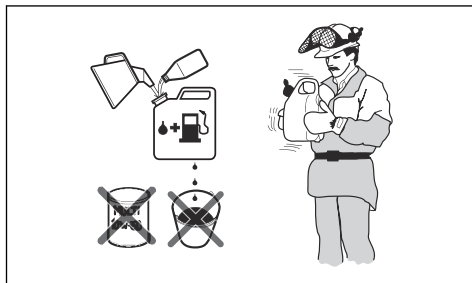
ATENȚIE: Nu utilizați ulei pentru motoare în doi timpi răcit pentru motoarele externe răcite cu apă, numit și ulei pentru motoare externe. Nu folosiți ulei pentru motoare în patru timpi.

Amestecarea benzinei cu ulei pentru motoare în doi timpi

Benzină, litru	Ulei pentru motoare în doi timpi, litru
	2% (50:1)
5	0,10
10	0,20
15	0,30
20	0,40



ATENȚIE: Micile erori pot să influențeze drastic raportul amestecului atunci când amestecați cantități mici de carburant. Măsurați cu grijă cantitatea de ulei și asigurați-vă că obțineți amestecul corect.



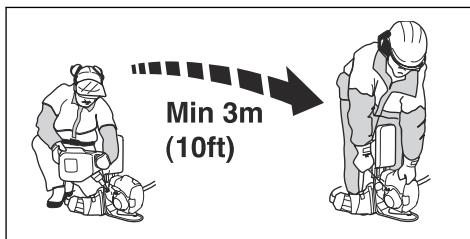
1. Umpleți jumătate din cantitatea de benzină într-un recipient curat pentru combustibil.
2. Adăugați cantitatea completă de ulei.
3. Agitați amestecul.
4. Adăugați în recipient cantitatea de benzină rămasă.
5. Agitați cu grijă amestecul.



ATENȚIE: Nu amestecați carburantul pentru mai mult de 1 lună la un moment dat.

Umplerea rezervorului de combustibil

1. Curățați suprafața din jurul capacului rezervorului de combustibil.
2. Agitați recipientul și asigurați-vă că amestecarea combustibilului s-a efectuat corespunzător. Utilizați un rezervor de carburant cu supapă antivărsare.
3. Scoateți capacul rezervorului de carburant.
4. Umpleți rezervorul de carburant.
5. Strângeți cu atenție capacul rezervorului de carburant.
6. Îndepărtați produsul la cel puțin 3 m (10 ft) de zona de realimentare și de sursa de carburant înainte de pornire.

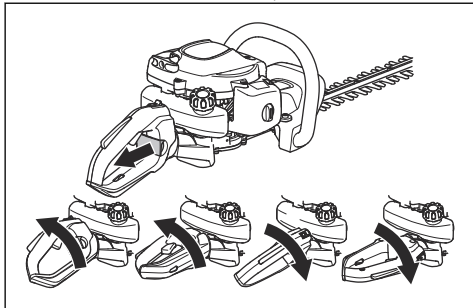


ATENȚIE: Contaminarea din rezervoare provoacă defecțiuni. Curățați periodic rezervorul de carburant și rezervorul de ulei pentru lanț și înlocuiți filtrul de carburant o dată pe an sau mai frecvent.

Pentru a regla mânerul (ERGOLITE 6028)

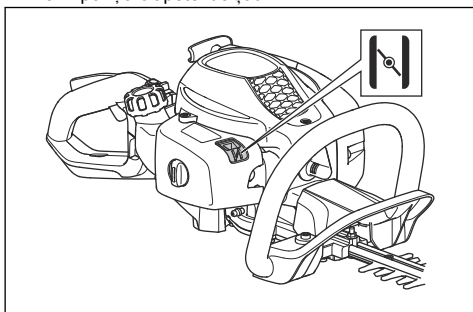
Mânerul spate poate fi reglat în 5 poziții.

- Eliberați blocarea mânerului și rotiți mânerul.



Pentru a porni produsul cu motorul rece

1. Trageți maneta de acționare a șocului astfel încât să fie în poziția clapetei de șoc.



2. Apăsăți butonul purjorului de aproximativ 6 ori până când butonul începe să se umple cu carburant. Nu este necesar să umpleți complet butonul purjorului.
3. Țineți corpul produsului pe sol, cu mâna stângă. Nu călcați pe produs.
4. Trageți lent mânerul firului demarorului cu mâna dreaptă până când simțiți o oarecare rezistență, apoi trageți-l repede cu forță.



AVERTISMENT: Nu răsuciți cablul demarorului în jurul mâinii.



ATENȚIE: Nu trageți șnurul de pornire până când se întinde complet și nu dați drumul mânerului pentru șnurul de pornire.

5. Continuați să trageți de mânerul firului demarorului până când motorul pornește, apoi împingeți maneta de acționare a șocului în poziția sa inițială.



AVERTISMENT: Discurile se mișcă atunci când motorul pornește.

6. Continuați să trageți de mânerul firului demarorului până la pornirea motorului.
7. Apăsăți și eliberați pârghia de accelerație pentru a seta motorul la turația de mers în gol.
8. Împingeți pârghia de accelerație treptat pentru a mări turația motorului.
9. Asigurați-vă că motorul funcționează uniform.

Pentru a porni produsul cu motorul cald

1. Țineți corpul produsului pe sol, cu mâna stângă. Nu călcați pe produs.
2. Trageți lent mânerul firului demarorului cu mâna dreaptă până când simțiți o oarecare rezistență, apoi trageți-l repede cu forță. Continuați procedeul până la pornirea motorului.

Nota: Pentru mai multe informații despre modul de pornire a produsului, consultați *Pentru a porni produsul cu motorul rece la pagina 358.*

Oprirea produsului

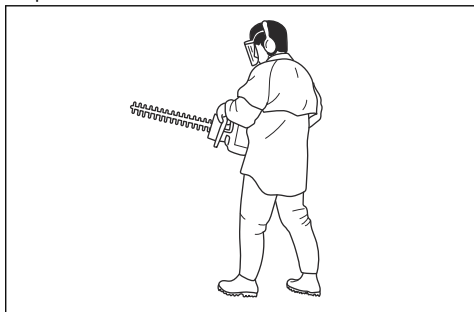
- Deplasați comutatorul de oprire în poziția de oprire pentru a opri motorul.



ATENȚIE: Comutatorul de oprire revine automat la poziția de funcționare.

Utilizarea produsului

1. Începeți aproape de sol și deplasați produsul în sus de-a lungul gardului viu atunci când tăiați marginile. Asigurați-vă că nu atingeți gardul viu cu corpul produsului.



AVERTISMENT: Asigurați-vă că partea frontală a echipamentului de tăiere nu atinge solul.

2. Regla viteza pentru a se alinia cu sarcina de lucru.
3. Țineți produsul aproape de corp pentru o poziție de lucru stabilă.
4. Acționați cu grijă și utilizați produsul corect.

Întreținerea

Introducere

efectua operații de întreținere asupra produsului.



AVERTISMENT: Citiți și înțelegeți capitolul privind siguranța înainte de a

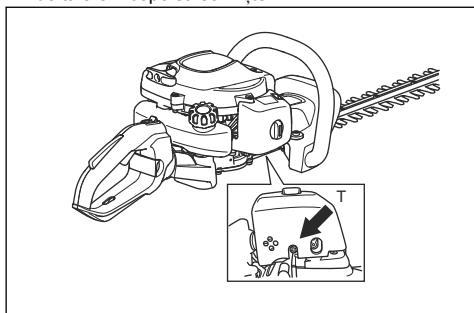
Program de întreținere

Întreținere	Înainte de opera-re	După 40 h	După 100 h
Curățați suprafața exterioară.		După fiecare utilizare.	
Curățați amortizorul de zgomot, țeava de eșapament și motorul de frunze, murdărie și lubrifianț nedorit.		După fiecare utilizare.	
Asigurați-vă că dispozitivul de tăiere nu se mișcă la turația de mers în gol.	X		
Verificați comutatorul de oprire. Consultați <i>Pentru a verifica comutatorul de oprire la pagina 354.</i>	X		
Examinați dispozitivul de tăiere pentru a identifica eventuale deteriorări sau fisuri. Înlocuiți dacă este deteriorat.	X		
Examinați apărătoarea de mână pentru a identifica eventuale deteriorări și fisuri. Înlocuiți dacă este deteriorat.	X		
Verificați opritorul pârghiei de accelerație și pârghia de accelerație. Consultați <i>Verificarea opritorului pârghiei de accelerație la pagina 353.</i>	X		
Verificați etanșeitatea motorului, a rezervorului de carburant și a conductei de carburant.	X		
Strângeți șuruburile și piulițele.	X		
Curățați sau înlocuiți sита parascânteie de pe amortizorul de zgomot. Consultați <i>Verificarea amortizorului de zgomot la pagina 354.</i>		X	
Verificați demarorul și firul acestuia, pentru a vedea dacă nu prezintă deteriorări.		X	
Verificați dacă sunt strânse corect șuruburile care mențin îmbinate discurile.		X	
Curățați filtrul de aer. Curățați mai des dacă produsul este utilizat în zone cu praf. Înlocuiți dacă este deteriorat.		X	
Examinați unitățile de amortizare a vibrațiilor, pentru a identifica eventuale deteriorări și fisuri. Înlocuiți dacă este deteriorat.		X	
Curățați suprafața exterioară a bujiei și zona din jurul acesteia. Scoateți bujia și măsurați apărătoarea electrodului. Reglați apărătoarea electrodului sau schimbați bujia. Consultați <i>Pentru a verifica bujia la pagina 360.</i>		X	
Curățați sistemul de răcire.		X	
Curățați suprafața exterioară a carburatorului și zona din jurul acesteia.		X	
Verificați filtrul de combustibil din punctul de vedere al contaminării și furtunul de combustibil pentru a vedea dacă prezintă crăpături și alte defecte. Înlocuiți dacă este deteriorat.			X

Întreținere	Înainte de opera-re	După 40 h	După 100 h
Curățați sita parascânteii de pe amortizorul de zgomot, înlocuiți-o dacă este deteriorată.			X
Curățați suprafața interioară a rezervorului de carburant.			X
Înlocuiți bujia.			X
Verificați dacă sunt uzate ambreiajul, arcul ambreiajului și tamburul ambreiajului. Înlocuiți-le dacă sunt deteriorate, solicitând ajutorul unui distribuitor de service autorizat.			X
Asigurați-vă că carcasa angrenajului este umplută cu unsoare.			X
Verificați toate cablurile și conexiunile.			X

Pentru a regla turația de mers în gol

1. Curățați filtrul de aer și atașați capacul filtrului de aer.
2. Porniți produsul. Consultați *Pentru a porni produsul cu motorul rece la pagina 358*.
3. Rotiți șurubul T de reglare a turației de mers în gol în sensul acelor de ceasornic, până când dispozitivul de tăiere începe să se miște.



4. Rotiți șurubul de reglare a turației de mers în gol în sens contrar acelor de ceasornic până când dispozitivul de tăiere se oprește.

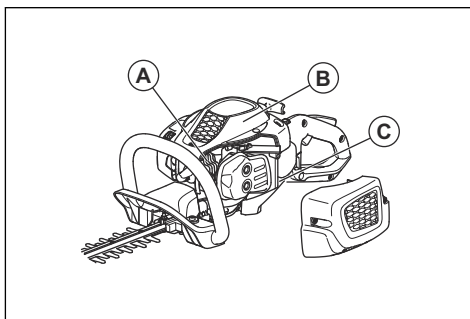


AVERTISMENT: Dacă dispozitivul de tăiere nu se oprește când reglați turația de mers în gol, contactați reprezentantul de service cel mai apropiat. Nu utilizați produsul până când acesta nu a fost reglat sau reparat corect.

Nota: Turația de mers în gol este corectă când motorul funcționează uniform în toate pozițiile. Consultați *Date tehnice la pagina 364* pentru turația de mers în gol recomandată.

Pentru a curăța sistemul de răcire

Sistemul de răcire menține temperatura motorului la un nivel scăzut. Sistemul de răcire include aripioarele de răcire de pe cilindru (A), capacul cilindrului (B) și priza de aer prin carter (C).



ATENȚIE: Priza de aer dintre rezervorul de carburant și carter este ușor blocată de frunze. Curățați complet priza de aer.

1. Curățați sistemul de răcire cu o perie o dată pe săptămână sau mai des, dacă este necesar.
2. Asigurați-vă că sistemul de răcire nu este murdar sau blocat.

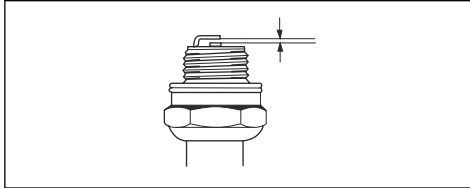
Pentru a verifica bujia



ATENȚIE: Folosiți întotdeauna tipul recomandat de bujie. Tipul incorrect de bujie poate defecta produsul.

- Verificați bujia dacă motorul nu are putere, nu pornește ușor sau nu funcționează corect la turația de mers în gol.
- Pentru a reduce riscul prezenței materialelor nedorite la electrozii bujiei, respectați aceste instrucțiuni:

- a) Asigurați-vă că turația de mers în gol este corect reglată.
 - b) Asigurați-vă că amestecul este corect.
 - c) Asigurați-vă că filtrul de aer este curat.
- Dacă bujia este murdară, curățați-o și asigurați-vă că distanța dintre electrozi este corectă, consultați *Date tehnice la pagina 364*.

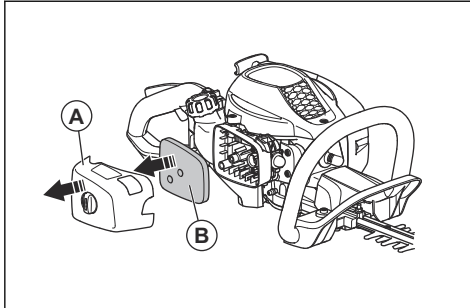


- Înlocuiți bujia atunci când este necesar.

Curățarea filtrului de aer

Curățați periodic filtrul de aer de murdărie și praf. Acest lucru previne funcționarea defectuoasă a carburatorului, problemele la pornire, pierderea puterii motorului, uzura componentelor motorului și un consum de carburant mai mare decât în mod normal.

1. Îndepărtați capacul filtrului de aer (A).



2. Scoateți filtrul de aer (B) din carcasa filtrului.
3. Curățați filtrul de aer cu apă caldă și săpun.



ATENȚIE: Un filtru de aer aflat în uz timp îndelungat nu poate fi curățat complet. Schimbați periodic filtrul de aer și înlocuiți întotdeauna un filtru de aer defect.

4. Asigurați-vă că filtrul de aer este uscat.
5. Aplicați ulei pe filtrul de aer. Consultați *Aplicarea uleiului pe filtrul de aer din spumă la pagina 361*.
6. Curățați suprafața interioară a capacului filtrului de aer. Utilizați aer comprimat sau o perie.

Aplicarea uleiului pe filtrul de aer din spumă

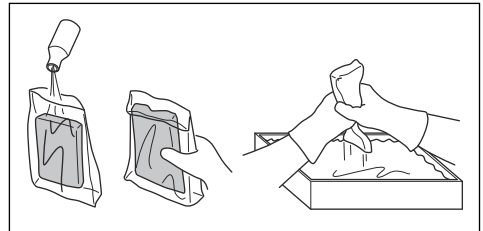


ATENȚIE: Folosiți întotdeauna ulei special pentru filtrul de aer McCULLOCH. Nu utilizați alte tipuri de ulei.



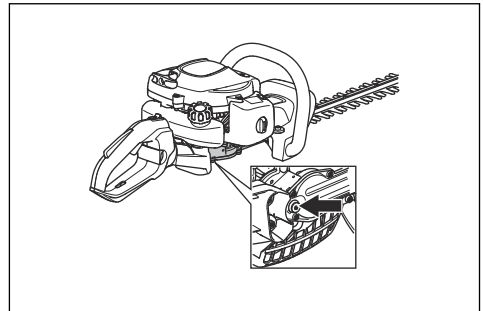
AVERTISMENT: Purtați mănuși de protecție. Uleiul pentru filtrul de aer poate provoca iritații ale pielii.

1. Introduceți filtrul de aer din spumă într-o pungă din plastic.
2. Introduceți uleiul în punga din plastic.
3. Frecați punga din plastic pentru a distribui egal ulei pe filtrul de aer din spumă.
4. Împingeți uleiul nedorit din filtrul de aer din spumă în timp ce se află în punga din plastic.



Pentru a unge carcasa angrenajului

- Folosiți unsoare specială McCULLOCH. Adresați-vă reprezentantului de service pentru informații suplimentare privind unsoarea recomandată.
- Adăugați unsoarea prin capacul bușonului lubrifiant al carcasei angrenajului.



ATENȚIE: Nu umpleți complet carcasa angrenajului.

Pentru a curăța și unge discurile

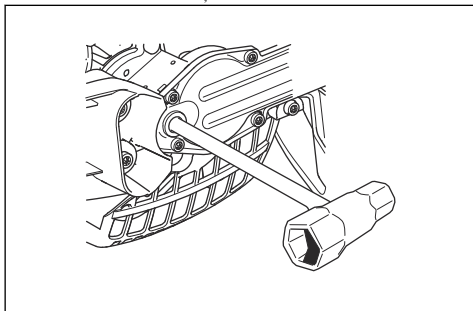
1. Curățați discurile de materiale nedorite înainte și după ce utilizați produsul.

2. Lubrifiați discurile înainte de a le depozita pentru perioade lungi.

Nota: Adresați-vă reprezentantului de service pentru informații suplimentare privind agenții de curățare și lubrifiții recomandați.

Pentru a examina discurile

1. Scoateți capacul bușonului lubrifiant al carcasei angrenajului.
2. Asigurați-vă că discurile se mișcă liber. Puneți cheia combinată în carcasa angrenajului și rotiți în sensul acelor de ceasornic și în sens invers.



Depanarea

Depanarea

Motorul nu pomește		
Problemă	Cauza posibilă	Pas recomandat
Clichete de pornire	Clichetele de pornire nu se mișcă liber.	Reglați sau înlocuiți clichetele de pornire.
		Curățați în jurul clichetelor de pornire.
		Adresați-vă unui distribuitor de service autorizat.
Rezervor de carburant	Tip de carburant incorect.	Goliți-l și utilizați combustibil corect.
Carburatorul	Turație de mers în gol incorectă.	Reglați turația de mers în gol.
Lipsă bujie	Bujia este murdară sau udă.	Asigurați-vă că bujia este uscată și curată.
	Distanță incorectă între electrozi.	Curățați bujia. Asigurați-vă că distanța dintre electrozi și bujia sunt corecte. Asigurați-vă că bujia este instalată cu un amortizor. Consultați <i>Date tehnice la pagina 364</i> pentru apărătoria corectă a electrodului.
Bujie	Bujia este slăbită.	Strângeți bujia.

Motorul pomește, dar se oprește din nou		
Problemă	Cauza posibilă	Pas recomandat
Rezervor de carburant	Tip de carburant incorect.	Goliți-l și utilizați combustibilul corect.
Carburatorul	Turație de mers în gol incorectă.	Reglați turația de mers în gol. Consultați <i>Pentru a regla turația de mers în gol la pagina 360</i> . Dacă este necesar, discutați cu distribuitorul de service.
Filtru de aer	Filtru de aer înfundat.	Curățați filtrul de aer.

Disc		
Problemă	Cauze posibile	Pas recomandat
Discul se mișcă încet sau nu se mișcă.	Discul este blocat sau deteriorat.	Curățați discurile de materialele nedorite. Consultați <i>Pentru a curăța și unge discurile la pagina 361</i> . Eliminați bavrurile de pe disc, consultați <i>Pentru a examina discurile la pagina 362</i> . Înlocuiți discul dacă este deteriorat.
Discul nu taie ușor.	Discul nu este ascuțit sau este deteriorat.	Ascuțiți discul, consultați <i>Pentru a examina discurile la pagina 362</i> . Înlocuiți discul dacă este deteriorat.
Discul se încălzește.	Există frecare între discuri.	Înlăturați bavrurile de pe disc și lubrifiați-l. Consultați <i>Pentru a examina discurile la pagina 362</i> .

Transportul, depozitarea și eliminarea

Transportul și depozitarea

- Lăsați întotdeauna produsul să se răcească înainte de a-l depozita.
- Pentru depozitarea și transportul produsului și a carburantului, asigurați-vă că nu există scurgeri și gaze. Scântelele sau flăcările deschise, de exemplu cele provenite de la dispozitive sau boilere electrice, pot cauza un incendiu.
- Utilizați întotdeauna recipiente omologate pentru depozitarea și transportarea combustibilului.
- Goliți combustibilul înainte de transportare și înainte de a-l depozita pe termen lung. Eliminați combustibilul într-o locație de eliminare autorizată.
- Montați apărătoarea pentru transport pe durata transportului și a depozitării.

- Scoateți pipa bujiei din bujie.
- Fixați produsul în timpul transportului. Asigurați-vă că acesta nu se poate mișca.
- Curățați produsul și efectuați operațiile de service la acesta înainte de depozitarea pe termen lung.

Dezafectarea

- Respectați cerințele locale și reglementările aplicabile.
- Eliminați toate substanțele chimice, precum uleiul de motor sau combustibilul, la un centru de service sau la o locație de eliminare autorizată.
- Eliminați produsul la deșeurile într-o locație adecvată sau trimiteți-l la McCULLOCH în vederea eliminării.

Date tehnice

Date tehnice

Date tehnice	SUPERLITE 4528	ERGOLITE 6028
Motor		
Cilindree, cm ³	21,7	21,7
Turație de ralanti, rot/min	2800	2800
Turația max. recomandată, rot/min	9000	9000
Puterea maximă a motorului, conform ISO 8893, kW la rot/min	0,6/7800	0,6/7800
Amortizor de zgomot al convertorului catalitic	Da	Da
Sistem de aprindere		
Bujie	HQT-4 672201	HQT-4 672201
Spațiu electrod, mm	0,5	0,5
Carburant		
Capacitate rezervor de carburant, l	0,3	0,3
Greutate		
Greutate, kg	4,8	5,0
Emisii de zgomot ⁶⁴		
Nivel de putere acustică, măsurat dB(A)	100	100
Nivel de putere acustică, garantat L _{WA} dB(A)	101	101
Niveluri de zgomot ⁶⁵		
Nivel de presiune a zgomotului echivalent la nivelul urechilor operatorului, măsurat în conformitate cu EN ISO 10517, dB(A)	93	93
Niveluri de vibrații ⁶⁶		
Nivelele echivalente de vibrații (a _{hv, eq}) la mănere, măsurate în conformitate cu EN ISO 10517, m/s ² :		
Față/spate, mm/s ²	3,5/4,4	4,1/5,2
Cușite		
Tip	Cu două fețe	Cu două fețe

⁶⁴ Emisiile de zgomot în mediu măsurate ca putere acustică (L_{WA}) în conformitate cu directiva CE 2000/14/CE. Nivelul de putere a zgomotului raportat pentru produs a fost măsurat cu accesoriul original de tăiere care emite cel mai ridicat nivel. Diferența dintre puterea garantată a sunetului și cea măsurată este aceea că puterea garantată a sunetului include, de asemenea, dispersia în rezultatul de măsurare și variațiile dintre diferitele produse ale aceluiași model, conform Directivei 2000/14/CE.

⁶⁵ Datele raportate pentru nivelul presiunii zgomotului prezintă o dispersie statistică tipică (abatere standard) de 1 dB(A).

⁶⁶ Datele raportate pentru nivelul de vibrații prezintă o dispersie statistică tipică (abatere standard) de 1 m/s².

Date tehnice	SUPERLITE 4528	ERGOLITE 6028
Lungime de tăiere, mm	450	590
Turație de tăiere, cursă/min	4050	4050

Declarație de conformitate CE

Declarație de conformitate UE

Noi, **Husqvarna AB**, SE-561 82 Husqvarna, Suedia, tel.:
+46-36-146500, declarăm pe propria răspundere, că
produsul:

Descriere	Trimmer de gard viu
Marcă	McCULLOCH
Tip/Model	SUPERLITE 4528, ERGOLITE 6028
Identificare	Numere de serie începând cu 2022 și ulterior

respectă în totalitate următoarele directive și
reglementări UE:

Reglementare	Descriere
2006/42/CE	„privind utilajele”
2014/30/UE	„aferență compatibilității electromagnetice”
2000/14/CE	„privind emisiile de zgomot în mediul înconjurător, Anexa V”
2011/65/UE	„privind restricțiile de utilizare a anumitor substanțe periculoase la echipamente electrice și electronice”

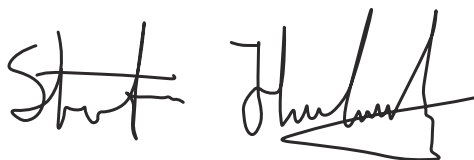
și că au fost aplicate următoarele standarde și/sau
specificații tehnice: EN ISO 12100:2010, EN ISO
10517:2019, EN IEC 63000:2018, EN ISO 14982:2009.

Organismul notificat: RISE SMP Svensk Maskinprovning
AB, Box 7035, SE-750 07 Uppsala, Sweden a efectuat
examinarea voluntară de tip în numele Husqvarna AB.

Număr certificat: SEC/11/2327

Pentru informații privind emisiile de zgomot, consultați
Date tehnice la pagina 364.

Husqvarna, 2022-02-15



Stefan Holmberg, Manager al Diviziei globale de
produse portabile, Manager de laborator din cadrul
Serviciilor globale pentru produse portabile, Husqvarna
AB

Responsabil pentru documentația tehnică

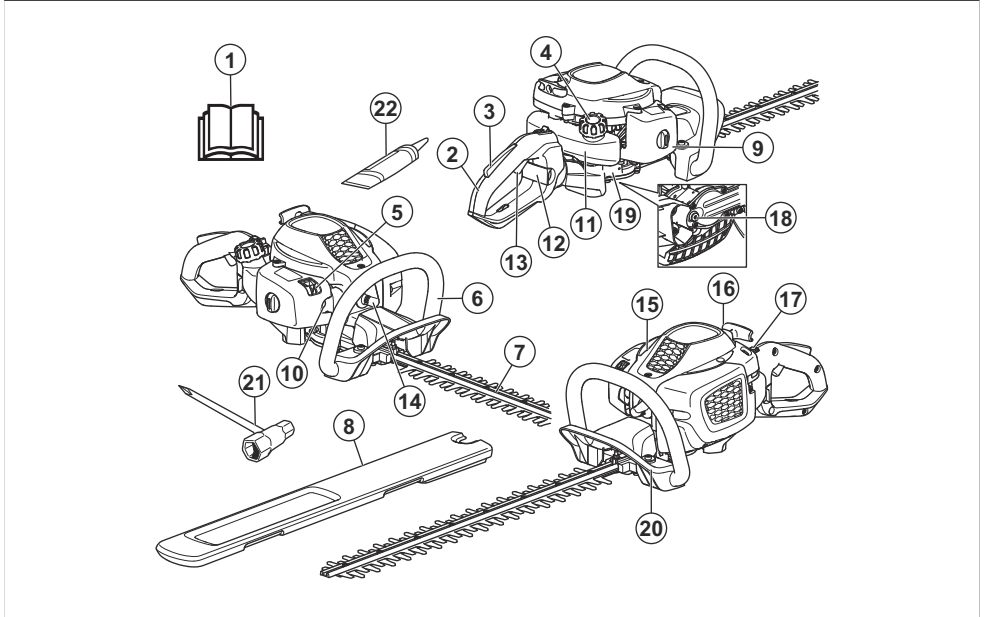


Περιεχόμενα

Εισαγωγή.....	367	Αντιμετώπιση προβλημάτων.....	380
Ασφάλεια.....	368	Μεταφορά, αποθήκευση και απόρριψη.....	381
Λειτουργία.....	374	Τεχνικά στοιχεία.....	382
Συντήρηση.....	376	Δήλωση Συμμόρφωσης ΕΚ.....	384

Εισαγωγή

Επισκόπηση προϊόντος



1. Εγχειρίδιο χρήσης
2. Οπίσθια χειρολαβή
3. Ασφάλεια σκανδάλης γκαζιού
4. Τάπα ντεπόζιτου καυσίμου
5. Χειριστήριο τσok
6. Εμπρόσθια λαβή
7. Λεπίδα και προφυλακτήρας λεπίδας
8. Προστατευτικό μεταφοράς
9. Κάλυμμα φίλτρου αέρα
10. Φούσκα πλήρωσης χειροκίνητης αντλίας καυσίμου (πουάρ)
11. Ντεπόζιτο καυσίμου
12. Ασφάλεια λαβής (ErgoLite)
13. Σκανδάλη γκαζιού
14. Καπάκι μπουζί και μπουζί
15. Κάλυμμα κυλινδρού
16. Λαβή κορδονιού συστήματος εκκίνησης
17. Διακόπτης θερματισμού λειτουργίας
18. Καπάκι πλήρωσης λιπαντικού
19. Περιβλήμα γραναζιών
20. Προστατευτικό χεριού
21. Γερμανοπολύγωνο κλειδί
22. Σωληνάριο γράσου

Περιγραφή προϊόντος

Το προϊόν είναι ένα μπортουρομάλιδο με κινητήρα εσωτερικής καύσης.

Προβλεπόμενη χρήση

Το προϊόν χρησιμοποιείται για την κοπή κλαδιών και κλωναριών. Μην χρησιμοποιείτε το προϊόν για άλλες εργασίες.

Σύμβολα στο προϊόν



ΠΡΟΕΙΔΟΠΟΙΗΣΗ! Αυτό το προϊόν μπορεί να είναι επικίνδυνο και να προκαλέσει σοβαρό τραυματισμό ή θάνατο του χειριστή ή άλλων ατόμων. Να είστε προσεκτικοί και να χρησιμοποιείτε το προϊόν σωστά.



Προτού χρησιμοποιήσετε το προϊόν, διαβάστε προσεκτικά το εγχειρίδιο χρήσης και βεβαιωθείτε ότι έχετε κατανοήσει τις οδηγίες.



Πρέπει να χρησιμοποιείτε προστατευτικά ακοής και εγκεκριμένα μέσα προστασίας των ματιών.



Χρησιμοποιείτε εγκεκριμένα προστατευτικά γάντια.



Χρησιμοποιήστε αντιολισθητικές μπότες βαρέος τύπου.



Φούσκα πλήρωσης χειροκίνητης αντλίας καυσίμου (πουάρ).



Τσοκ.



Ρύθμιση της ασφάλειας της χειρολαβής.



Καύσιμο.



Εκπομπές θορύβου στο περιβάλλον σύμφωνα με την ευρωπαϊκή οδηγία 2000/14/ΕΚ και τη νομοθεσία της Νότιας Νέας Ουαλίας "Κανονισμός για την προστασία των περιβαλλοντικών δράσεων (έλεγχος θορύβου) του 2017". Τα στοιχεία για τις εκπομπές θορύβου βρίσκονται στην ετικέτα του μηχανήματος και στο κεφάλαιο "Τεχνικά στοιχεία".



Το προϊόν συμμορφώνεται με τις ισχύουσες οδηγίες ΕΚ.

yyyywwxxxx

Στην πινακίδα στοιχείων αναγράφεται ο αριθμός σειράς. Το **yyyy** είναι το έτος παραγωγής και το **ww** είναι η εβδομάδα παραγωγής.

Περιεχόμενα Άλλα σύμβολα/σήματα που υπάρχουν στο προϊόν αναφέρονται σε απαιτήσεις πιστοποίησης για ορισμένες αγορές.

Εκπομπές Euro V



ΠΡΟΕΙΔΟΠΟΙΗΣΗ: Οποιαδήποτε μη εξουσιοδοτημένη παρέμβαση στον κινητήρα ακυρώνει την έγκριση τύπου ΕΕ αυτού του προϊόντος.

Ασφάλεια

Ορισμοί για την ασφάλεια

Για την επισήμανση ειδικών σημαντικών τμημάτων του εγχειριδίου χρησιμοποιούνται προειδοποιήσεις, συστάσεις προσοχής και σημειώσεις.



ΠΡΟΕΙΔΟΠΟΙΗΣΗ: Χρησιμοποιείται όταν υπάρχει κίνδυνος τραυματισμού ή θανάτου του χειριστή ή άλλων παριστάμενων ατόμων, αν δεν τηρηθούν οι οδηγίες που παρέχονται στο εγχειρίδιο.



ΠΡΟΣΟΧΗ: Χρησιμοποιείται όταν υπάρχει κίνδυνος πρόκλησης ζημιάς στο προϊόν, σε άλλα υλικά ή στον παρακείμενο χώρο, αν δεν τηρηθούν οι οδηγίες που παρέχονται στο εγχειρίδιο.

Περιεχόμενα Χρησιμοποιείται για παροχή περισσότερων πληροφοριών, οι οποίες χρειάζονται σε μια δεδομένη κατάσταση.

Γενικές οδηγίες ασφαλείας



ΠΡΟΕΙΔΟΠΟΙΗΣΗ: Προτού χρησιμοποιήσετε το προϊόν, διαβάστε τις παρακάτω προειδοποιητικές οδηγίες.

- Η εσφαλμένη ή απρόσεκτη χρήση του προϊόντος μπορεί να το καταστήσει ένα επικίνδυνο εργαλείο, ικανό να προκαλέσει σοβαρό ή ακόμα και θανατηφόρο τραυματισμό. Είναι ιδιαίτερα σημαντικό να διαβάσετε και να κατανοείτε τα περιεχόμενα του παρόντος εγχειριδίου χρήστη.

- Αυτό το προϊόν παράγει ηλεκτρομαγνητικό πεδίο κατά τη λειτουργία του. Το πεδίο αυτό, υπό ορισμένες συνθήκες, μπορεί να προκαλέσει παρεμβολές σε ενεργά ή παθητικά ιατρικά εμφυτεύματα. Προκειμένου να μειωθεί ο κίνδυνος τραυματισμών ή θανάτου, συνιστούμε στα άτομα με ιατρικά εμφυτεύματα να συμβουλευτούν τον θεράποντα ιατρό τους και τον κατασκευαστή του ιατρικού εμφυτεύματος, προτού θέσουν το προϊόν σε λειτουργία.
- Η υπερέκθεση σε κραδασμούς μπορεί να προκαλέσει βλάβη στο κυκλοφορικό ή νευρικό σύστημα σε άτομα με βεβαρημένο κυκλοφορικό. Εάν αισθανθείτε συμπτώματα υπερέκθεσης σε κραδασμούς, επικοινωνήστε με τον γιατρό σας. Παραδείγματα τέτοιων συμπτωμάτων είναι το μούδιασμα, η απώλεια αίσθησης, οι σουβλιές, ο πόνος, η μυϊκή ατονία και η αλλαγή στο χρώμα ή την κατάσταση του δέρματος. Τα συμπτώματα αυτά συνήθως εμφανίζονται στα δάχτυλα, τις παλάμες ή τους καρπούς. Ο κίνδυνος αυξάνεται σε χαμηλές θερμοκρασίες.
- Μια χρησιμοποιημένη εξάτμιση (σιγαστήρας) και η φλογοπαγίδα μπορεί να περιέχουν καρκινογόνα σωματίδια καύσης. Αποφύγετε την έκθεση σε αυτές τις ενώσεις κατά τον χειρισμό της εξάτμισης (σιγαστήρα) ή της φλογοπαγίδας. Προτού χειριστείτε την εξάτμιση (σιγαστήρα) ή τη φλογοπαγίδα, διαβάστε τις οδηγίες στην ενότητα *Ελεγχος της εξάτμισης (σιγαστήρα) στη σελίδα 372*.
- Εάν προκύψει μια κατάσταση όπου δεν είστε σίγουροι για το πώς πρέπει να προχωρήσετε, θα πρέπει να ζητήσετε τη συμβουλή ειδικού. Επικοινωνήστε με τον αντιπρόσωπο ή το συνεργείο σας. Αποφύγετε τις καταστάσεις χρήσης, τις οποίες θεωρείτε πέραν των δυνατοτήτων σας.
- Λάβετε υπόψη ότι ο χειριστής είναι υπεύθυνος για ατυχήματα ή κινδύνους που μπορεί να προκληθούν σε άλλα άτομα ή στην περιουσία τους.
- Μην επιτρέπετε ποτέ σε άλλα άτομα να χρησιμοποιούν το προϊόν χωρίς προηγούμενος να έχετε διασφαλίσει ότι έχουν κατανοήσει τα περιεχόμενα του εγχειριδίου χρήσης.
- Μην επιτρέπετε ποτέ σε παιδιά να χρησιμοποιούν το προϊόν ή να βρίσκονται κοντά σε αυτό. Καθώς το προϊόν είναι εξοπλισμένο με ελατηριωτό διακόπτη τερματισμού λειτουργίας και μπορεί να εκκινήσει με χαμηλή ταχύτητα και δύναμη στη λαβή του συστήματος εκκίνησης, ακόμη και μικρά παιδιά, υπό ορισμένες συνθήκες, μπορούν να ασκήσουν τη δύναμη που χρειάζεται για την εκκίνηση του προϊόντος. Αυτό μπορεί να οδηγήσει σε σοβαρό τραυματισμό. Συνεπώς, πρέπει να αφαιρείτε το καπάκι του μπουζί, όταν το προϊόν δεν βρίσκεται υπό στενή παρακολούθηση.
- Αποθηκεύστε το προϊόν μακριά από παιδιά.
- Μην χρησιμοποιείτε ποτέ το προϊόν εάν είστε κουρασμένοι, έχετε καταναλώσει αλκοόλ ή παίρνετε φάρμακα που μπορεί να επηρεάσουν την όραση, την κρίση ή τον συντονισμό σας.
- Μην χρησιμοποιείτε ποτέ το προϊόν εάν παρουσιάζει πρόβλημα. Εκτελείτε όλους τους ελέγχους και τις οδηγίες συντήρησης και επισκευής που αναφέρονται στο παρόν εγχειρίδιο. Ορισμένα μέτρα συντήρησης και επισκευής πρέπει να εκτελούνται από εκπαιδευμένους και καταρτισμένους ειδικούς. Ανατρέξτε στις οδηγίες της ενότητας με τίτλο Συντήρηση.
- Μην χρησιμοποιείτε ποτέ το προϊόν εάν έχει τροποποιηθεί με οποιονδήποτε τρόπο από τις αρχικές προδιαγραφές του

Οδηγίες ασφαλείας για τη λειτουργία



ΠΡΟΕΙΔΟΠΟΙΗΣΗ: Προτού χρησιμοποιήσετε το προϊόν, διαβάστε τις παρακάτω προειδοποιητικές οδηγίες.

- Μην χρησιμοποιείτε ποτέ το προϊόν σε ακραίες καιρικές συνθήκες π.χ. σε δριμύ ψύχος ή σε πολύ θερμά ή/και υγρά κλίματα.
- Οι ελαττωματικές λεπίδες μπορεί να αυξήσουν τον κίνδυνο ατυχημάτων.
- Βεβαιωθείτε ότι δεν υπάρχουν άτομα ή ζώα σε απόσταση μικρότερη από 15 m / 50 ft κατά τη διάρκεια της εργασίας.
- Παρακολουθείτε τον περιβάλλοντα χώρο και βεβαιωθείτε ότι δεν υπάρχει κίνδυνος να έρθουν σε επαφή άνθρωποι ή ζώα με τον εξοπλισμό κοπής.
- Επιθεωρήστε τον χώρο εργασίας. Απομακρύνετε αντικείμενα που μπορεί να ακινητωθούν.
- Εξασφαλίστε πάντοτε μια ασφαλή και σταθερή θέση εργασίας.
- Μην αφήνετε ποτέ το μηχανήμα χωρίς επίβλεψη όταν ο κινητήρας λειτουργεί.
- Βεβαιωθείτε ότι τα χέρια και τα πόδια σας δεν πλησιάζουν στη μονάδα κοπής όταν ο κινητήρας βρίσκεται σε λειτουργία.
- Εάν μαγκώσει οτιδήποτε στις λάμες ενώ εργάζεστε, σβήστε τον κινητήρα και περιμένετε να ακινητοποιηθεί εντελώς προτού καθαρίσετε τις λεπίδες. Αποσυνδέστε το καπάκι του μπουζί από το μπουζί.
- Όταν σβήσει ο κινητήρας, κρατήστε τα χέρια και τα πόδια σας μακριά από τη μονάδα κοπής μέχρι να ακινητοποιηθεί εντελώς.
- Προσέχετε για κομμένα υπολείμματα κλαδιών που μπορεί να εκσφενδονιστούν κατά το κόψιμο.
- Επιδείξτε προσοχή στην ακρόαση προειδοποιητικών σημάτων ή κραυγών κατά τη χρήση προστατευτικών ακοής. Αφαιρείτε πάντα τα προστατευτικά ακοής μόλις σβήσει ο κινητήρας.
- Μην εργάζεστε ποτέ σε σκάλα, σκαμνί ή άλλη ανυψωμένη θέση η οποία δεν είναι απόλυτα ασφαλής.
- Κρατάτε πάντα το προϊόν και με τα δύο χέρια. Φροντίστε να κρατάτε το προϊόν μπροστά από το σώμα σας.

- Σε περίπτωση πρόσκρουσης σε ξένο σώμα ή ύπαρξης κραδασμών, διακόψτε αμέσως τη λειτουργία του μηχανήματος. Αποσυνδέστε το καπάκι του μπουζι από το μπουζι. Βεβαιωθείτε ότι το μηχανήμα δεν έχει υποστεί ζημιά. Επιδιορθώστε τυχόν ζημιές.
- Βεβαιωθείτε ότι το καπάκι του μπουζι και το μπουζοκαλώδιο δεν έχουν υποστεί ζημιά, για να αποφύγετε τον κίνδυνο ηλεκτροπληξίας.
- Βεβαιωθείτε ότι όλα τα παξιμάδια και οι βίδες είναι σφιγμένα.
- Βεβαιωθείτε ότι το κιβώτιο ταχυτήτων λιπαίνεται σωστά. Ανατρέξτε στην ενότητα *Λίπανση του περιβλήματος γραναζιών στη σελίδα 379*.
- Το κιβώτιο ταχυτήτων θερμαίνεται πολύ μετά τη χρήση του προϊόντος. Για να αποφύγετε τυχόν έγκαυμα, μην αγγίζετε το κιβώτιο ταχυτήτων.
- Όλα τα καλύμματα και τα προστατευτικά πρέπει να είναι τοποθετημένα στο μηχανήμα πριν το θέσετε σε λειτουργία.
- Αν κολλήσουν οι λεπίδες, μπορούν να χαλαρώσουν βάζοντας το γερμανοπολύγωνο κλειδί μέσα στο κιβώτιο ταχυτήτων. Τοποθετήστε το γερμανοπολύγωνο κλειδί μέσα στα γρανάζια και γυρίστε το εμπρός-πίσω. Ανατρέξτε στην ενότητα *Λίπανση του περιβλήματος γραναζιών στη σελίδα 379*.
- Το προστατευτικό μεταφοράς θα πρέπει πάντα να τοποθετείται στη μονάδα κοπής όταν το προϊόν δεν χρησιμοποιείται.

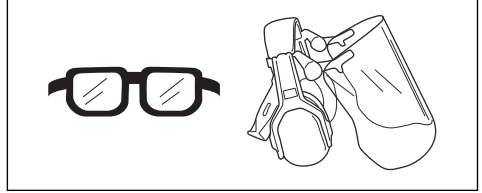
Προσωπικός εξοπλισμός προστασίας



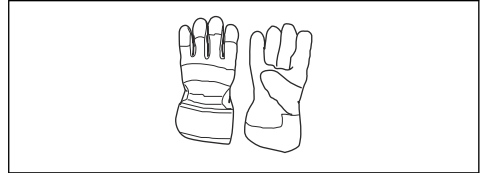
ΠΡΟΕΙΔΟΠΟΙΗΣΗ: Προτού χρησιμοποιήσετε το προϊόν, διαβάστε τις παρακάτω προειδοποιητικές οδηγίες.

- Όταν χρησιμοποιείτε το προϊόν, να φοράτε πάντα εγκεκριμένο προσωπικό εξοπλισμό προστασίας. Ο προσωπικός εξοπλισμός προστασίας δεν μπορεί να εξαλείψει τον κίνδυνο τραυματισμών, ωστόσο μειώνει τη σοβαρότητά τους σε περίπτωση ατυχήματος. Ο αντιπρόσωπος θα σας βοηθήσει να επιλέξετε το σωστό εξοπλισμό.
- Να χρησιμοποιείτε εγκεκριμένα προστατευτικά ακοής που παρέχουν επαρκή μείωση θορύβου. Η μακροχρόνια έκθεση στο θόρυβο μπορεί να προκαλέσει μόνιμη βλάβη στην ακοή.
- Χρησιμοποιήστε εγκεκριμένη προστασία των ματιών. Εάν χρησιμοποιείτε προστατευτικό γείσο, πρέπει επίσης να χρησιμοποιείτε πάντα εγκεκριμένα προστατευτικά γυαλιά. Τα εγκεκριμένα προστατευτικά γυαλιά πρέπει να συμμορφώνονται με

το πρότυπο ANSI Z87.1 στις Η.Π.Α. ή το πρότυπο EN 166 στις χώρες της Ε.Ε.



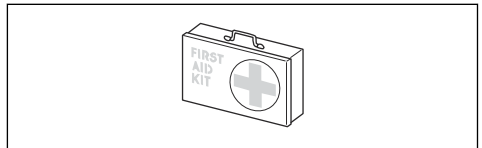
- Όταν χρειάζεται, να χρησιμοποιείτε γάντια, για παράδειγμα κατά την τοποθέτηση, την επιθεώρηση ή τον καθαρισμό του εξοπλισμού κοπής.



- Να χρησιμοποιείτε ανθεκτικές, αντιολισθητικές μπότες ή παπούτσια.



- Να φοράτε ρούχα από ανθεκτικό ύφασμα. Να φοράτε πάντα ανθεκτικό μακρύ παντελόνι και μακριά μανίκια. Να μην φοράτε φαρδιά ρούχα που μπορεί να πιαστούν σε κλωνάρια και κλαδιά. Να μην φοράτε κοσμήματα, κοντά παντελόνια, σανδάλια και να μην είστε ξυπόλυτοι. Να δένετε τα μαλλιά σας με ασφάλεια πάνω από το ύψος των ώμων.
- Να φροντίζετε να υπάρχει εξοπλισμός πρώτων βοηθειών σε κοντινή απόσταση.



Συσκευές ασφαλείας στο προϊόν



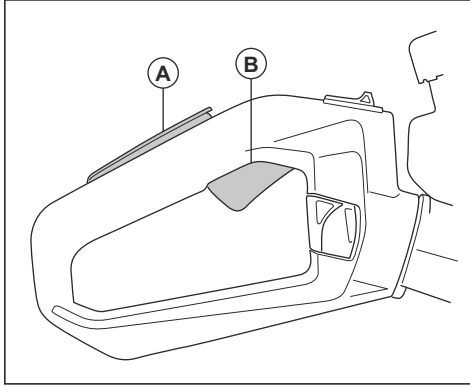
ΠΡΟΕΙΔΟΠΟΙΗΣΗ: Προτού χρησιμοποιήσετε το προϊόν, διαβάστε τις παρακάτω προειδοποιητικές οδηγίες.

- Μην χρησιμοποιείτε ποτέ το προϊόν, αν υπάρχουν ελαττωματικές συσκευές ασφαλείας.

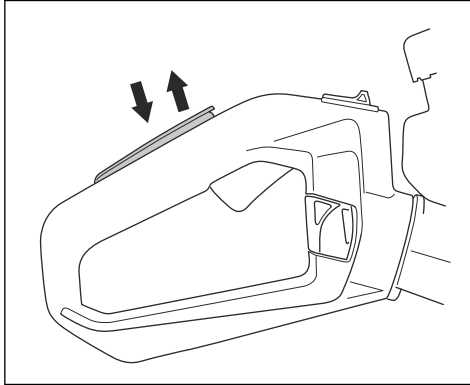
- Πρέπει να κάνετε τακτικά έλεγχο των συσκευών ασφαλείας. Αν οι συσκευές ασφαλείας είναι ελαττωματικές, απευθυνθείτε στον αντιπρόσωπο σέρβις της McCULLOCH.

Για τον έλεγχο της ασφάλειας σκανδάλης γκαζιού

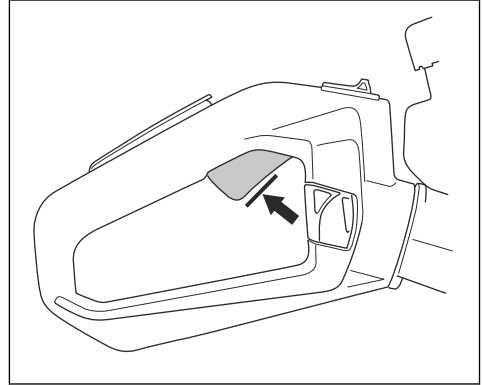
1. Βεβαιωθείτε ότι η ασφάλεια της σκανδάλης γκαζιού (Α) και η σκανδάλη γκαζιού (Β) κινούνται ελεύθερα και το ελατήριο επαναφοράς λειτουργεί σωστά.



2. Πιέστε προς τα κάτω την ασφάλεια της σκανδάλης του γκαζιού και βεβαιωθείτε ότι επιστρέφει στην αρχική της θέση όταν την αφήνετε.



3. Απελευθερώστε την ασφάλεια της σκανδάλης γκαζιού και βεβαιωθείτε ότι η σκανδάλη γκαζιού είναι ασφαλισμένη στη θέση στροφών ανά λεπτό ρελαντί.



4. Θέστε σε λειτουργία τον κινητήρα και ανοίξτε τέρμα το γκάζι.
5. Απελευθερώστε τη σκανδάλη γκαζιού και βεβαιωθείτε ότι οι λεπίδες έχουν σταματήσει εντελώς.



ΠΡΟΕΙΔΟΠΟΙΗΣΗ:

Εάν οι λεπίδες κινούνται όταν η σκανδάλη γκαζιού βρίσκεται στη θέση στροφών ανά λεπτό ρελαντί, ρυθμίστε τις στρόφες ανά λεπτό ρελαντί. Ανατρέξτε στην ενότητα *Για να ρυθμίσετε τις στρόφες ανά λεπτό ρελαντί στη σελίδα 378.*

Έλεγχος του διακόπτη τερματισμού λειτουργίας

1. Εκκινήστε τον κινητήρα.
2. Τοποθετήστε το διακόπτη διακοπής λειτουργίας στη θέση STOP και βεβαιωθείτε ότι ο κινητήρας σταματά.



ΠΡΟΕΙΔΟΠΟΙΗΣΗ:

Ο διακόπτης διακοπής λειτουργίας επιστρέφει αυτόματα στη θέση εκκίνησης. Για να αποφευχθεί τυχόν ακούσια εκκίνηση, αφαιρέστε το καπάκι του μπουζι από το μπουζι κατά τη συναρμολόγηση ή κάντε συντήρηση στο προϊόν.

Έλεγχος του προστατευτικού χεριού

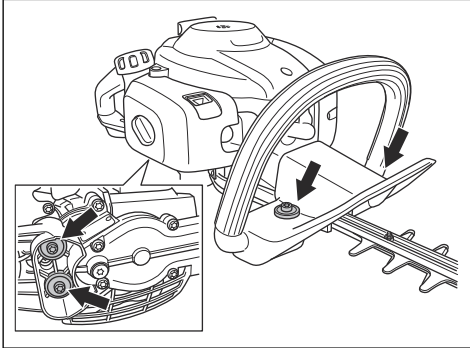
Το προστατευτικό χεριού αποτρέπει τους τραυματισμούς από τις λεπίδες.

1. Σβήστε τον κινητήρα.
2. Βεβαιωθείτε ότι το προστατευτικό χεριού είναι σωστά συνδεδεμένο.
3. Ελέγξτε το προστατευτικό χεριού για ζημιές.

Για τον έλεγχο του συστήματος απόσβεσης κραδασμών

Το σύστημα απόσβεσης κραδασμών μειώνει τους κραδασμούς στις λαβές. Οι μονάδες απόσβεσης κραδασμών λειτουργούν ως διαχωριστικό ανάμεσα στο σώμα του προϊόντος και στη μονάδα της λαβής.

1. Πραγματοποιήστε έναν οπτικό έλεγχο για παραμόρφωση και ζημιά.
2. Βεβαιωθείτε ότι οι μονάδες απόσβεσης κραδασμών έχουν συνδεθεί σωστά.



Έλεγχος της εξάτμισης (σιγαστήρα)



ΠΡΟΕΙΔΟΠΟΙΗΣΗ: Μην χρησιμοποιείτε ποτέ το προϊόν χωρίς εξάτμιση (σιγαστήρα) ή όταν υπάρχει βλάβη στην εξάτμιση (σιγαστήρας). Αν η εξάτμιση (σιγαστήρας) παρουσιάζει βλάβη, αυξάνεται το επίπεδο θορύβου και ο κίνδυνος φωτιάς. Μην χρησιμοποιείτε το προϊόν εάν η σίτα συγκράτησης των σπινθήρων λείπει ή έχει σπάσει. Αν η σίτα συγκράτησης των σπινθήρων έχει υποστεί ζημιά, πρέπει να αντικατασταθεί.



ΠΡΟΕΙΔΟΠΟΙΗΣΗ: Μια χρησιμοποιημένη εξάτμιση (σιγαστήρας) και η φλογοπαγίδα μπορεί να περιέχουν καρκινογόνα σωματίδια καύσης. Χρησιμοποιείτε προστατευτικά γάντια και εκτελείτε τις εργασίες συντήρησης σε καλά αεριζόμενο περιβάλλον, για να αποφύγετε την επαφή με το δέρμα και την εισπνοή καρκινογόνων σωματιδίων. Μην χρησιμοποιείτε πεπιεσμένο αέρα για τον καθαρισμό της φλογοπαγίδας. Χρησιμοποιείτε μια ατσάλινη βούρτσα και βουρτσίζετε μακριά από το σώμα σας κατά τον καθαρισμό της φλογοπαγίδας.



ΠΡΟΕΙΔΟΠΟΙΗΣΗ: Οι εξατμίσεις (σιγαστήρες) θερμαίνονται πολύ κατά τη

διάρκεια και μετά τη λειτουργία, αλλά και σε στροφές στο ρελαντί.



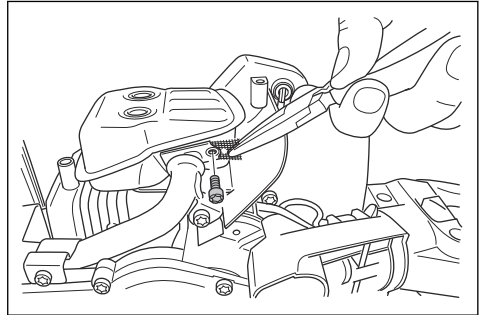
ΠΡΟΣΟΧΗ: Αν η σίτα της φλογοπαγίδας φράζει συχνά, αυτό μπορεί να αποτελέσει ένδειξη ότι η απόδοση του καταλυτικού μετατροπέα έχει μειωθεί. Απευθυνθείτε στον αντιπρόσωπο σέρβις για τον έλεγχο της εξάτμισης (σιγαστήρα). Εάν η σίτα της φλογοπαγίδας είναι φραγμένη, μπορεί να προκληθεί υπερθέρμανση και να υποστεί ζημιά ο κύλινδρος και το έμβολο.



ΠΡΟΕΙΔΟΠΟΙΗΣΗ: Οι εσωτερικές επιφάνειες της εξάτμισης (σιγαστήρα) περιέχουν χημικά που μπορούν να προκαλέσουν καρκίνο. Προσέξτε να μην αγγίξετε αυτά τα στοιχεία, αν η εξάτμιση (σιγαστήρας) έχει υποστεί ζημιά.

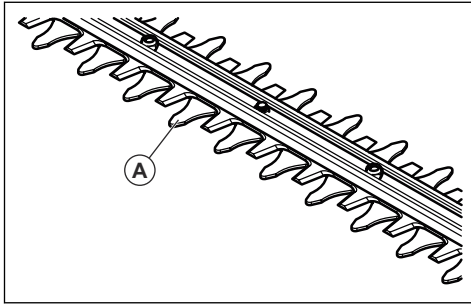
Η εξάτμιση (σιγαστήρας) διατηρεί τα επίπεδα θορύβου στο ελάχιστο και κατευθύνει τις αναθυμιάσεις της εξάτμισης μακριά από τον χειριστή. Ο καταλυτικός μετατροπέας της εξάτμισης μειώνει τα επιβλαβή καυσαέρια της εξάτμισης.

1. Σβήσιμο του κινητήρα.
2. Ελέγξτε οπτικά εάν υπάρχει τυχόν ζημιά ή παραμόρφωση.
3. Βεβαιωθείτε ότι η εξάτμιση (σιγαστήρας) έχει στερεωθεί σωστά στο προϊόν.
4. Καθαρίστε τη σίτα της φλογοπαγίδας με μια μεταλλική βούρτσα.

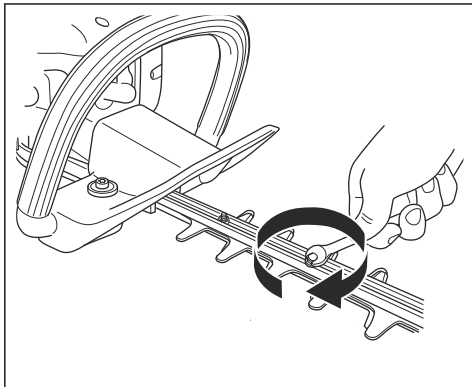


Έλεγχος λεπίδας και προφυλακτήρα λεπίδας

Το εξωτερικό μέρος των λεπίδων (A) λειτουργεί ως προφυλακτήρας των λεπίδων. Ο προφυλακτήρας λεπίδας προστατεύει τον χειριστή από ακούσια επαφή με τη λεπίδα.



1. Σβήστε τον κινητήρα και βεβαιωθείτε ότι η μονάδα κοπής σταματά.
2. Αφαιρέστε το καπάκι του μπουζι από το μπουζι.
3. Φορέστε προστατευτικά γάντια.
4. Βεβαιωθείτε ότι η λεπίδα και ο προφυλακτήρας λεπίδας δεν έχουν υποστεί ζημιά και δεν έχουν λυγίσει. Αντικαθιστάτε πάντα τις κατεστραμμένες ή λυγισμένες λεπίδες.
5. Βεβαιωθείτε ότι οι βίδες στη μονάδα κοπής έχουν συνδεθεί. Σφίξτε τις βίδες με ροπή 7-10 Nm.



Ασφάλεια καυσίμου



ΠΡΟΕΙΔΟΠΟΙΗΣΗ: Πρωτού χρησιμοποιήσετε το προϊόν, διαβάστε τις παρακάτω προειδοποιητικές οδηγίες.

- Μην θέτετε το προϊόν σε λειτουργία, εάν υπάρχει καύσιμο ή λάδι κινητήρα στο προϊόν. Αφαιρέστε το ανεπιθύμητο καύσιμο/λάδι και αφήστε το προϊόν να στεγνώσει.
- Εάν χύσετε καύσιμο στα ρούχα σας, αλλάξτε τα αμέσως.
- Μην χύσετε καύσιμο στο σώμα σας, καθώς μπορεί να προκληθεί τραυματισμός. Αν χύσετε καύσιμο στο σώμα σας, χρησιμοποιήστε σαπούνι και νερό για να αφαιρέσετε το καύσιμο.

- Μην θέσετε το προϊόν σε λειτουργία, εάν ο κινητήρας έχει διαρροή. Εξετάζετε τακτικά τον κινητήρα για διαρροές.
- Να είστε προσεκτικοί με το καύσιμο. Το καύσιμο είναι εύφλεκτο και οι αναθυμιάσεις είναι εκρηκτικές και μπορούν να προκαλέσουν τραυματισμό ή θάνατο.
- Μην εισπνεύσετε τις αναθυμιάσεις καυσίμου, καθώς μπορεί να προκληθεί τραυματισμός. Βεβαιωθείτε ότι υπάρχει επαρκής ροή αέρα.
- Μην καπνίζετε κοντά στο καύσιμο ή τον κινητήρα.
- Μην τοποθετείτε ζεστά αντικείμενα κοντά στο καύσιμο ή τον κινητήρα.
- Μην προσθέτετε καύσιμο όταν λειτουργεί ο κινητήρας.
- Βεβαιωθείτε ότι ο κινητήρας έχει κρυώσει πριν από τον ανεφοδιασμό.
- Πριν από τον ανεφοδιασμό, ανοίξτε αργά την τάπα του ντεπόζιτου καυσίμου και εκτονώστε προσεκτικά την πίεση.
- Μην προσθέτετε καύσιμο στον κινητήρα σε εσωτερικό χώρο. Η ανεπαρκής ροή αέρα μπορεί να προκαλέσει τραυματισμό ή θάνατο λόγω ασφυξίας ή μονοξειδίου του άνθρακα.
- Να σφίγγετε πλήρως την τάπα του ντεπόζιτου καυσίμου. Αν η τάπα του ντεπόζιτου καυσίμου δεν είναι σφιγμένη, υπάρχει κίνδυνος πυρκαγιάς.
- Πριν από την εκκίνηση, μετακινήστε το προϊόν σε απόσταση τουλάχιστον 3 m / 10 ft από το σημείο όπου γεμίσατε το ντεπόζιτο.
- Μην γεμίζετε ποτέ εντελώς το ντεπόζιτο καυσίμου. Η υψηλή θερμοκρασία προκαλεί διαστολή του καυσίμου. Αφήνετε κενό στο επάνω μέρος του ντεπόζιτου.

Οδηγίες ασφαλείας για τη συντήρηση



ΠΡΟΕΙΔΟΠΟΙΗΣΗ: Πρωτού χρησιμοποιήσετε το προϊόν, διαβάστε τις παρακάτω προειδοποιητικές οδηγίες.

- Σβήστε τον κινητήρα και βεβαιωθείτε ότι ο εξοπλισμός κοπής σταματά. Πρωτού εκτελέσετε εργασίες συντήρησης, αφήστε το προϊόν να κρυώσει.
- Αποσυνδέστε το καπάκι μπουζι πρωτού εκτελέσετε τις εργασίες συντήρησης.
- Οι αναθυμιάσεις της εξάτμισης από τον κινητήρα περιέχουν μονοξείδιο του άνθρακα, ένα άοσμο, δηλητηριώδες και ιδιαίτερα επικίνδυνο αέριο που μπορεί να οδηγήσει σε θάνατο. Μην χρησιμοποιείτε το προϊόν σε εσωτερικούς ή κλειστούς χώρους.
- Οι αναθυμιάσεις της εξάτμισης από τον κινητήρα είναι καυτές και μπορεί να περιέχουν σπινθήρες. Μην θέτετε το προϊόν σε λειτουργία σε εσωτερικό χώρο ή κοντά σε εύφλεκτα υλικά.
- Τα αξεσουάρ και οι τροποποιήσεις στο προϊόν που δεν είναι εγκεκριμένες από τον κατασκευαστή, μπορεί να προκαλέσουν σοβαρό τραυματισμό ή θάνατο. Να μην πραγματοποιείτε αλλαγές στο προϊόν. Πρέπει πάντα να χρησιμοποιείτε γνήσια αξεσουάρ.

- Αν οι εργασίες συντήρησης δεν εκτελούνται σωστά και τακτικά, υπάρχει αυξημένος κίνδυνος τραυματισμού και ζημιάς στο προϊόν.
- Εκτελείτε τις εργασίες συντήρησης μόνο όπως συνιστάται στο παρόν εγχειρίδιο χρήσης. Όλες οι υπόλοιπες εργασίες πρέπει να εκτελούνται από έναν εγκεκριμένο αντιπρόσωπο σέρβις της McCULLOCH.

- Να αναθέτετε τη συντήρηση του προϊόντος σε έναν εγκεκριμένο αντιπρόσωπο σέρβις McCULLOCH σε τακτά χρονικά διαστήματα.
- Να αντικαθιστάτε τυχόν κατεστραμμένα, φθαρμένα ή σπασμένα εξαρτήματα.

Λειτουργία

Εισαγωγή



ΠΡΟΕΙΔΟΠΟΙΗΣΗ: Προτού χρησιμοποιήσετε το προϊόν, διαβάστε και κατανοήστε το κεφάλαιο για την ασφάλεια.

Καύσιμο

Αυτό το προϊόν διαθέτει δίχρονο κινητήρα.



ΠΡΟΣΟΧΗ: Τα καύσιμα εσφαλμένου τύπου μπορεί να προκαλέσουν ζημιά στον κινητήρα. Χρησιμοποιήστε μείγμα βενζίνης και λαδιού για δίχρονους κινητήρες.

Προαναμεμιγμένο καύσιμο

- Για βέλτιστη απόδοση και παράταση της διάρκειας ζωής του κινητήρα, χρησιμοποιήστε προαναμεμιγμένο αλκυλιωμένο καύσιμο της McCULLOCH. Αυτό το καύσιμο περιέχει λιγότερα επιβλαβή χημικά σε σύγκριση με τα κανονικά καύσιμα, με αποτέλεσμα να μειώνονται οι επιβλαβείς αναθυμιάσεις της εξάτμισης. Η ποσότητα των καταλοίπων της καύσης είναι χαμηλότερη με αυτό το καύσιμο, το οποίο προστατεύει τα εξαρτήματα του κινητήρα και τα διατηρεί πιο καθαρά.

Ανάμειξη του καυσίμου

Βενζίνη

- Χρησιμοποιήστε αμόλυβδη βενζίνη καλής ποιότητας με μέγιστο ποσοστό αιθανόλης 10%.



ΠΡΟΣΟΧΗ: Μην χρησιμοποιείτε βενζίνη με αριθμό οκτανίων κάτω από 90 RON/87 AKI. Η χρήση βενζίνης χαμηλότερου αριθμού οκτανίων μπορεί να προκαλέσει κτύπο ("πειράκια") και ζημιά στον κινητήρα.

Λάδι για δίχρονους κινητήρες

- Για καλύτερα αποτελέσματα και υψηλότερη απόδοση, χρησιμοποιήστε λάδι McCULLOCH για δίχρονους κινητήρες.
- Εάν το λάδι για δίχρονους κινητήρες της McCULLOCH δεν είναι διαθέσιμο, χρησιμοποιήστε διαφορετικό λάδι καλής ποιότητας για αερόψυκτους

κινητήρες. Για την επιλογή του σωστού λαδιού, απευθυνθείτε στον αντιπρόσωπο σέρβις.



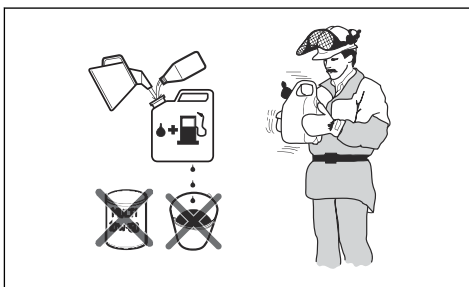
ΠΡΟΣΟΧΗ: Μην χρησιμοποιείτε λάδι για δίχρονους υδροψυκτους εξωλέμβιους κινητήρες, το οποίο αναφέρεται επίσης ως λάδι για εξωλέμβιες. Μην χρησιμοποιείτε λάδι για τετράχρονους κινητήρες.

Για να αναμίξετε βενζίνη και λάδι για δίχρονους κινητήρες

Βενζίνη, λίτρα	Λάδι για δίχρονους κινητήρες, λίτρα
	2% (50:1)
5	0,10
10	0,20
15	0,30
20	0,40



ΠΡΟΣΟΧΗ: Μικρά λάθη μπορεί να επηρεάσουν δραστικά την αναλογία του μείγματος κατά τη ανάμειξη μικρών ποσοτήτων καυσίμου. Μετρήστε προσεκτικά την ποσότητα του λαδιού και βεβαιωθείτε ότι το μείγμα που προκύπτει είναι σωστό.



1. Ρίξτε σε ένα καθαρό δοχείο για καύσιμα τη μισή ποσότητα της βενζίνης.

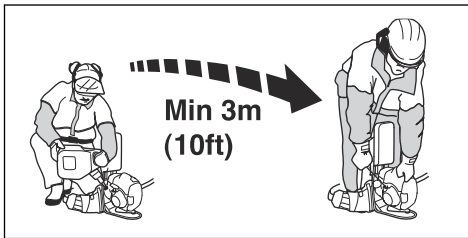
2. Προσθέστε ολόκληρη την ποσότητα λαδιού.
3. Ανακινήστε το μίγμα καυσίμου.
4. Προσθέστε στο δοχείο την υπόλοιπη ποσότητα της βενζίνης.
5. Ανακινήστε προσεκτικά το μείγμα καυσίμου.



ΠΡΟΣΟΧΗ: Μην αναμιγνύετε καύσιμα για περισσότερο από 1 μήνα κάθε φορά.

Γέμισμα ντεπόζιτου καυσίμου

1. Καθαρίστε την περιοχή γύρω από την τάπα του ντεπόζιτου καυσίμου.
2. Ανακινήστε το δοχείο και βεβαιωθείτε ότι το καύσιμο έχει αναμιχθεί πλήρως. Να χρησιμοποιείτε δοχείο καυσίμου με βαλβίδα αποφυγής διαρροής.
3. Αφαιρέστε την τάπα ντεπόζιτου καυσίμου.
4. Γεμίστε το ντεπόζιτο καυσίμου.
5. Σφίξτε προσεκτικά την τάπα του ντεπόζιτου καυσίμου.
6. Προτού ξεκινήσετε, απομακρύνετε το προϊόν τουλάχιστον κατά 3 m (10 ft) από το σημείο ανεφοδιασμού και την πηγή καυσίμου.

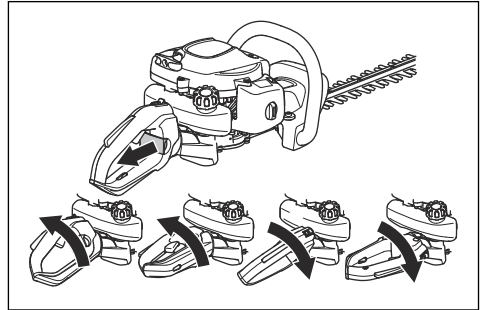


ΠΡΟΣΟΧΗ: Η ύπαρξη ρύπων στα ντεπόζιτα προκαλεί δυσλειτουργία. Καθαρίζετε τακτικά το ντεπόζιτο καυσίμου και το ντεπόζιτο λαδιού της αλυσίδας και αντικαθιστάτε το φίλτρο καυσίμου μία ή περισσότερες φορές ετησίως.

Ρύθμιση της λαβής (ERGOLITE 6028)

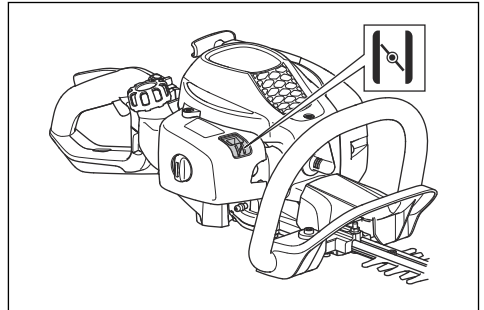
Η οπίσθια χειρολαβή μπορεί να ρυθμιστεί σε 5 θέσεις.

- Απελευθερώστε την ασφάλεια της λαβής και γυρίστε τη λαβή.



Για να ξεκινήσετε το προϊόν με κρύο κινητήρα

1. Τραβήξτε το χειριστήριο τσοκ στη θέση τσοκ.



2. Πιέστε τη φούσκα πλήρωσης της χειροκίνητης αντλίας καυσίμου (πουάρ) περίπου 6 φορές ή μέχρι η φούσκα πλήρωσης να αρχίσει να γεμίζει με καύσιμο. Δεν χρειάζεται να γεμίσετε πλήρως τη φούσκα της χειροκίνητης αντλίας καυσίμου (πουάρ).
3. Κρατήστε το σώμα του προϊόντος στο έδαφος με το αριστερό σας χέρι. Μην πατάτε επάνω στο προϊόν.
4. Τραβήξτε αργά τη λαβή του σχοινού εκκίνησης με το δεξιό σας χέρι μέχρι να αισθανθείτε αντίσταση και κατόπιν τραβήξτε τη λαβή του σχοινού εκκίνησης γρήγορα και δυνατά.



ΠΡΟΕΙΔΟΠΟΙΗΣΗ: Μην τυλίγετε το κορδόνι του συστήματος εκκίνησης γύρω από το χέρι σας.



ΠΡΟΣΟΧΗ: Μην τραβήξετε το σχοινί εκκίνησης μέχρι τέρμα και μην αφήσετε τη λαβή του συστήματος εκκίνησης.

5. Συνεχίστε να τραβάτε τη λαβή του σχοινού εκκίνησης μέχρι ο κινητήρας να τεθεί σε λειτουργία και, κατόπιν, τοποθετήστε το χειριστήριο τσοκ στην αρχική του θέση.



ΠΡΟΕΙΔΟΠΟΙΗΣΗ: Οι λεπίδες κινούνται όταν τίθεται σε λειτουργία ο κινητήρας.

6. Συνεχίστε να τραβάτε τη λαβή του σχοινού εκκίνησης μέχρι να τεθεί σε λειτουργία ο κινητήρας.
7. Πιέστε και απελευθερώστε τη σκανδάλη γκαζιού για να θέσετε τον κινητήρα σε στροφές ανά λεπτό ρελαντί.
8. Πιέστε τη σκανδάλη γκαζιού σταδιακά, για να αυξήσετε τις στροφές ανά λεπτό (σ.α.λ) του κινητήρα.
9. Βεβαιωθείτε ότι ο κινητήρας λειτουργεί ομαλά.

Για να ξεκινήσετε το προϊόν με ζεστό κινητήρα

1. Κρατήστε το σώμα του προϊόντος στο έδαφος με το αριστερό σας χέρι. Μην πατάτε επάνω στο προϊόν.
2. Τραβήξτε αργά τη λαβή του σχοινού εκκίνησης με το δεξιό σας χέρι μέχρι να αισθανθείτε αντίσταση και κατόπιν τραβήξτε τη λαβή του σχοινού εκκίνησης γρήγορα και δυνατά. Συνεχίστε μέχρι ο κινητήρας να τεθεί σε λειτουργία.

Περιεχόμενα Για περισσότερες πληροφορίες σχετικά με τον τρόπο εκκίνησης του προϊόντος, ανατρέξτε στην ενότητα *Για να ξεκινήσετε το προϊόν με κρύο κινητήρα στη σελίδα 375.*

Απενεργοποίηση προϊόντος

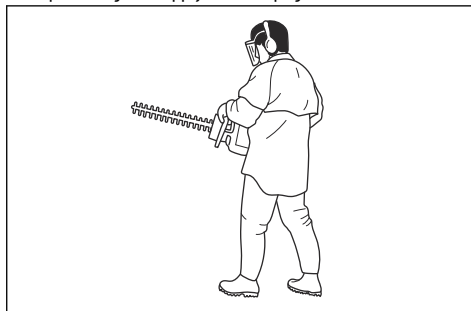
- Για να σβήσετε τον κινητήρα, μετακινήστε το διακόπτη διακοπής λειτουργίας στη θέση "Stop".



ΠΡΟΣΟΧΗ: Ο διακόπτης διακοπής λειτουργίας επιστρέφει αυτόματα στη θέση λειτουργίας.

Λειτουργία του προϊόντος

1. Ξεκινήστε κοντά στο έδαφος και μετακινήστε το προϊόν προς τα πάνω κατά μήκος της μπορντούρας όταν κόβετε τις πλευρές. Βεβαιωθείτε ότι το σώμα του προϊόντος δεν αγγίζει το έδαφος.



ΠΡΟΕΙΔΟΠΟΙΗΣΗ: Βεβαιωθείτε ότι το μπροστινό μέρος του εξοπλισμού κοπής δεν αγγίζει το έδαφος.

2. Προσαρμόστε την ταχύτητα σύμφωνα με το φορτίο εργασίας.
3. Κρατήστε το προϊόν κοντά στο σώμα σας για να επιτύχετε σταθερή θέση εργασίας.
4. Να είστε προσεκτικοί και να χρησιμοποιείτε το προϊόν προσεκτικά.

Συντήρηση

Εισαγωγή

διαβάστε και κατανοήστε το κεφάλαιο για την ασφάλεια.



ΠΡΟΕΙΔΟΠΟΙΗΣΗ: Προτού εκτελέσετε εργασίες συντήρησης στο προϊόν,

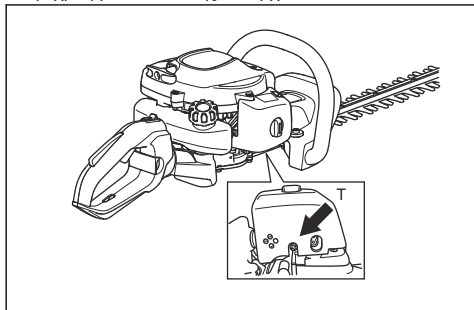
Πρόγραμμα συντήρησης

Συντήρηση	Πριν από τη λειτουργία	Μετά από 40 ώρες	Μετά από 100 ώρες
Καθαρίστε την εξωτερική επιφάνεια.	Μετά από κάθε χρήση.		
Απομακρύνετε από την εξάτμιση (σιγαστήρα), τον σωλήνα εξάτμισης και τον κινητήρα τυχόν φύλλα, ακαθαρσίες και ανεπιθύμητο λιπαντικό.	Μετά από κάθε χρήση.		
Βεβαιωθείτε ότι η μονάδα κοπής δεν λειτουργεί σε στροφές ανά λεπτό ρελαντί.	X		

Συντήρηση	Πριν από τη Λειτουργία	Μετά από 40 ώρες	Μετά από 100 ώρες
Ελέγξτε τον διακόπτη τερματισμού λειτουργίας. Ανατρέξτε στην ενότητα <i>Έλεγχος του διακόπτη τερματισμού λειτουργίας στη σελίδα 371.</i>	X		
Ελέγξτε τη μονάδα κοπής για τυχόν ζημιές και ρωγμές. Αν υπάρχει ζημιά, αντικαταστήστε το.	X		
Ελέγξτε το προστατευτικό χεριού για ζημιές και ρωγμές. Αν υπάρχει ζημιά, αντικαταστήστε το.	X		
Ελέγξτε την ασφάλεια της σκανδάλης γκαζιού και τη σκανδάλη. Ανατρέξτε στην ενότητα <i>Για τον έλεγχο της ασφάλειας σκανδάλης γκαζιού στη σελίδα 371.</i>	X		
Ελέγξτε τον κινητήρα, το ντεπόζιτο καυσίμου και τον σωλήνα καυσίμου για τυχόν διαρροές.	X		
Σφίξτε τα παξιμάδια και τις βίδες.	X		
Καθαρίστε ή αντικαταστήστε τη σήτα της φλογοπαγίδας στην εξάτμιση. Ανατρέξτε στην ενότητα <i>Έλεγχος της εξάτμισης (σιγαστήρα) στη σελίδα 372.</i>		X	
Εξετάστε τη μίζα και το κορδόνι της μίζας για ζημιές.		X	
Βεβαιωθείτε ότι οι βίδες που συγκρατούν τις λεπίδες είναι σωστά σφιγμένες.		X	
Καθαρίστε το φίλτρο αέρα. Καθαρίζετε τακτικά το προϊόν εάν το χρησιμοποιείτε σε περιοχές με σκόνη. Αν υπάρχει ζημιά, αντικαταστήστε το.		X	
Ελέγξτε τις μονάδες απόσβεσης κραδασμών για ζημιές και ρωγμές. Αν υπάρχει ζημιά, αντικαταστήστε το.		X	
Καθαρίστε την εξωτερική επιφάνεια του μπουζί και τον χώρο γύρω από αυτό. Αφαιρέστε το μπουζί και μετρήστε το διάκενο ηλεκτροδίου. Ρυθμίστε το διάκενο ηλεκτροδίου ή αντικαταστήστε το μπουζί. Ανατρέξτε στην ενότητα <i>Για να εξετάσετε το μπουζί στη σελίδα 378.</i>		X	
Καθαρίστε το σύστημα ψύξης.		X	
Καθαρίστε την εξωτερική επιφάνεια του καρμπυρατέρ και τον χώρο γύρω από αυτό.		X	
Ελέγξτε το φίλτρο καυσίμου για ρύπους και τον σωλήνα καυσίμου για ρωγμές και άλλα ελαττώματα. Αν υπάρχει ζημιά, αντικαταστήστε το.			X
Καθαρίστε τη σίτα της φλογοπαγίδας στην εξάτμιση (σιγαστήρα) και αντικαταστήστε την αν έχει υποστεί ζημιά.			X
Καθαρίστε την εσωτερική επιφάνεια του ντεπόζιτου καυσίμου.			X
Αντικαταστήστε το μπουζί.			X
Ελέγξτε τον συμπλέκτη, το ελατήριο συμπλέκτη και την καμπίνα συμπλέκτη για τυχόν φθορά. Εάν κάποιο εξάρτημα έχει υποστεί ζημιά, απευθυνθείτε σε έναν εγκεκριμένο αντιπρόσωπο σέρβις.			X
Βεβαιωθείτε ότι το περιβλήμα γραναζιών είναι γεμάτο με γράσο.			X
Ελέγξτε όλα τα καλώδια και τις συνδέσεις.			X

Για να ρυθμίσετε τις στροφές ανά λεπτό ρελαντί

1. Καθαρίστε το φίλτρο αέρα και τοποθετήστε το κάλυμμα του φίλτρου αέρα.
2. Θέστε το προϊόν σε λειτουργία. Ανατρέξτε στην ενότητα *Για να ξεκινήσετε το προϊόν με κρύο κινητήρα στη σελίδα 375*.
3. Γυρίστε τη βίδα ρύθμισης T ρελαντί δεξιόστροφα μέχρι η μονάδα κοπής να αρχίσει να κινείται.



4. Γυρίστε τη βίδα ρύθμισης ρελαντί αριστερόστροφα μέχρι η μονάδα κοπής να σταματήσει.



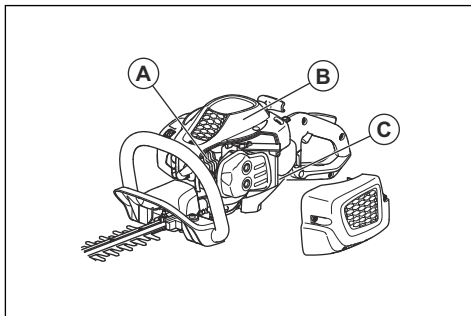
ΠΡΟΕΙΔΟΠΟΙΗΣΗ: Αν η μονάδα κοπής δεν σταματά κατά τη ρύθμιση των στροφών ανά λεπτό ρελαντί, απευθυνθείτε στον πλησιέστερο αντιπρόσωπο σέρβις. Μην χρησιμοποιείτε το προϊόν μέχρι να ρυθμιστεί σωστά ή να επισκευαστεί.

Περιεχόμενα Οι στροφές ανά λεπτό ρελαντί είναι σωστές όταν ο κινητήρας λειτουργεί ομαλά σε όλες τις θέσεις. Ανατρέξτε στην ενότητα *Τεχνικά στοιχεία στη σελίδα 382* για τις συστατώμενες στροφές ανά λεπτό ρελαντί.

Καθαρισμός του συστήματος ψύξης

Το σύστημα ψύξης διατηρεί χαμηλή τη θερμοκρασία του κινητήρα. Το σύστημα ψύξης αποτελείται από τα πτερύγια φτερωτής (ανεμιστήρα) ψύξης στον κύλινδρο

(A), το κάλυμμα κυλίνδρου (B) και την εισαγωγή αέρα μέσω του στροφαλοθαλάμου (C).



ΠΡΟΣΟΧΗ: Η εισαγωγή αέρα μεταξύ του ντεπόζιτου καυσίμου και του στροφαλοθαλάμου φράσσεται εύκολα από φύλλα. Καθαρίστε καλά την εισαγωγή αέρα.

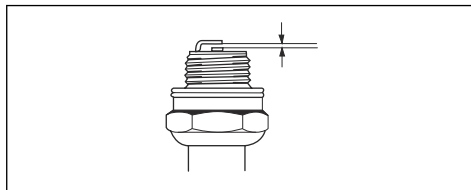
1. Εκτελείτε καθαρισμό του συστήματος ψύξης με βούρτσα κάθε εβδομάδα ή πιο συχνά, εάν χρειάζεται.
2. Βεβαιωθείτε ότι το σύστημα ψύξης δεν είναι βρώμικο ή φραγμένο.

Για να εξετάσετε το μπουζί



ΠΡΟΣΟΧΗ: Χρησιμοποιείτε πάντα τον συστατώμενο τύπο μπουζί. Η χρήση λάθος τύπου μπουζί μπορεί να προκαλέσει ζημιά στο προϊόν.

- Αν ο κινητήρας έχει χαμηλή ισχύ, δεν εκκινείται εύκολα ή δεν λειτουργεί σωστά στο ρελαντί, ελέγξτε το μπουζί.
- Για να μειώσετε τον κίνδυνο συσσώρευσης ανεπιθύμητων υλικών στα ηλεκτρόδια του μπουζί, ακολουθήστε τις παρακάτω οδηγίες:
 - a) Βεβαιωθείτε ότι οι στροφές ανά λεπτό ρελαντί έχουν ρυθμιστεί σωστά.
 - b) Βεβαιωθείτε ότι το μίγμα καυσίμου είναι σωστό.
 - c) Βεβαιωθείτε ότι το φίλτρο αέρα είναι καθαρό.
- Αν το μπουζί είναι βρώμικο, καθαρίστε το και βεβαιωθείτε ότι το διάκενο του ηλεκτροδίου είναι σωστό, ανατρέξτε στην ενότητα *Τεχνικά στοιχεία στη σελίδα 382*.

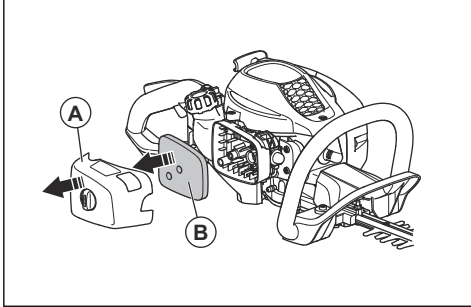


- Αν χρειάζεται, αντικαταστήστε το μπουζί.

Καθαρισμός του φίλτρου αέρα

Καθαρίζετε τακτικά το φίλτρο αέρα για να απομακρύνετε τη βρομιά και τη σκόνη. Με αυτόν τον τρόπο προλαμβάνονται δυσλειτουργίες του καρμπυρατέρ, προβλήματα εκκίνησης, απώλειες ισχύος του κινητήρα, φθορά στα εξαρτήματα του κινητήρα και μεγαλύτερη κατανάλωση καυσίμου από ό,τι συνήθως.

1. Αφαιρέστε το κάλυμμα του φίλτρου αέρα (A).



2. Αφαιρέστε το φίλτρο αέρα (B) από το πλαίσιο φίλτρου.
3. Καθαρίστε το φίλτρο αέρα με ζεστό σαπουνόνερο.



ΠΡΟΣΟΧΗ: Αν το φίλτρο αέρα χρησιμοποιείται για μεγάλο χρονικό διάστημα, δεν μπορεί να καθαριστεί εντελώς. Αντικαθιστάτε το φίλτρο αέρα τακτικά. Πρέπει πάντα να αντικαθιστάτε ένα ελαττωματικό φίλτρο αέρα.

4. Βεβαιωθείτε ότι το φίλτρο αέρα είναι στεγνό.
5. Απλώστε λάδι στο φίλτρο αέρα. Ανατρέξτε στην ενότητα *Εφαρμογή λαδιού στο αφρώδες φίλτρο αέρα στη σελίδα 379*.
6. Καθαρίστε την εσωτερική επιφάνεια του καλύμματος φίλτρου αέρα. Χρησιμοποιήστε πεπιεσμένο αέρα ή βούρτσα.

Εφαρμογή λαδιού στο αφρώδες φίλτρο αέρα



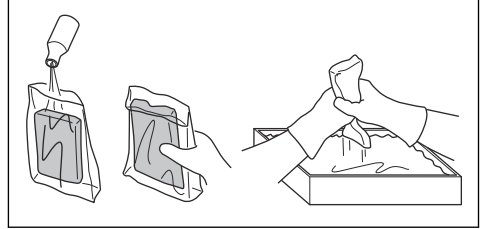
ΠΡΟΣΟΧΗ: Πρέπει πάντα να χρησιμοποιείτε ειδικό λάδι φίλτρου αέρα McCULLOCH. Μην χρησιμοποιείτε άλλους τύπους λαδιού.



ΠΡΟΕΙΔΟΠΟΙΗΣΗ: Φορέστε προστατευτικά γάντια. Το λάδι φίλτρου αέρα μπορεί να προκαλέσει ερεθισμό στο δέρμα.

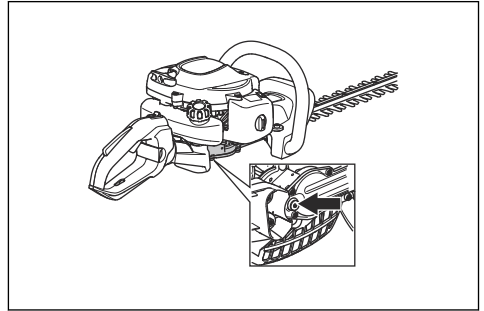
1. Τοποθετήστε το αφρώδες φίλτρο αέρα μέσα σε μια πλαστική σακούλα.
2. Ρίξτε το λάδι στην πλαστική σακούλα.

3. Τρίψτε την πλαστική σακούλα για να καταμετρηθεί το λάδι ομοιόμορφα στο αφρώδες φίλτρο αέρα.
4. Πιέστε το αφρώδες φίλτρο αέρα για να απομακρύνετε το ανεπιθύμητο λάδι, ενώ αυτό βρίσκεται μέσα στην πλαστική σακούλα.



Λίπανση του περιβλήματος γραναζιών

- Χρησιμοποιήστε ειδικό γράσο McCULLOCH. Απευθυνθείτε στον αντιπρόσωπο σέρβις για περισσότερες πληροφορίες σχετικά με το συνιστώμενο γράσο.
- Προσθέστε γράσο μέσα από το καπάκι πλήρωσης λιπαντικού στο περίβλημα γραναζιών.



ΠΡΟΣΟΧΗ: Μην γεμίζετε εντελώς το περίβλημα γραναζιών.

Καθαρισμός και λίπανση των λεπίδων

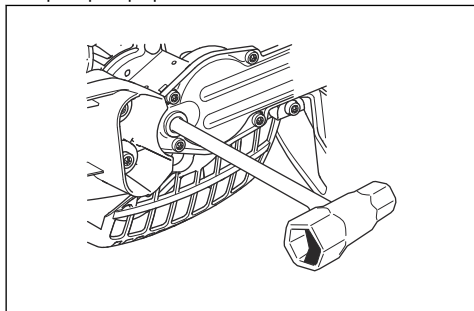
1. Απομακρύνετε από τις λεπίδες τυχόν ανεπιθύμητα υλικά πριν από και μετά τη χρήση του προϊόντος.
2. Λιπαίνετε τις λεπίδες πριν από μεγάλα χρονικά διαστήματα αποθήκευσης.

Περιεχόμενα Απευθυνθείτε στον αντιπρόσωπο σέρβις της περιοχής σας για περισσότερες πληροφορίες σχετικά με τα συνιστώμενα καθαριστικά και λιπαντικά.

Έλεγχος των λεπίδων

1. Αφαιρέστε το καπάκι πλήρωσης λιπαντικού στο περίβλημα γραναζιών.

2. Βεβαιωθείτε ότι οι λεπίδες κινούνται ανεμπόδιστα. Τοποθετήστε το γερμανοπολύγωνο κλειδί μέσα στο περίβλημα γραναζιών και γυρίστε το δεξιόστροφα και αριστερόστροφα.



3. Ελέγξτε τα άκρα των λεπίδων για ζημιές και παραμόρφωση.
4. Χρησιμοποιήστε μια λίμα για να απομακρύνετε τα ρινίσματα από τις λεπίδες.

Αντιμετώπιση προβλημάτων

Αντιμετώπιση προβλημάτων

Ο κινητήρας δεν εκκινείται		
Πρόβλημα	Πιθανή αιτία	Συνιστώμενο βήμα
Άγκιστρα εμπλοκής του συστήματος εκκίνησης με το βολάν	Τα άγκιστρα εμπλοκής του συστήματος εκκίνησης με το βολάν δεν μπορούν να κινηθούν ελεύθερα.	Ρυθμίστε ή αντικαταστήστε τα άγκιστρα εμπλοκής του συστήματος εκκίνησης.
		Καθαρίστε την περιοχή γύρω τα άγκιστρα εμπλοκής του συστήματος εκκίνησης με το βολάν.
		Απευθυνθείτε σε έναν εγκεκριμένο αντιπρόσωπο σέρβις.
Ντεπόζιτο καυσίμου	Λανθασμένος τύπος καυσίμου.	Αποστραγγίστε το και χρησιμοποιήστε σωστό καύσιμο.
Καρμπυρατέρ	Λανθασμένες στροφές ανά λεπτό ρελαντί.	Ρυθμίστε τις στροφές ανά λεπτό ρελαντί.
Δεν δημιουργείται σπινθήρας	Το μπουζί είναι λερωμένο ή υγρό.	Βεβαιωθείτε ότι το μπουζί είναι στεγνό και καθαρό.
	Λάθος διάκενο ηλεκτροδίου.	Καθαρίστε το μπουζί. Βεβαιωθείτε ότι το διάκενο ηλεκτροδίου του μπουζί είναι σωστό. Βεβαιωθείτε ότι το μπουζί έχει τοποθετηθεί με αντιπαρασπινθητικό. Για το σωστό διάκενο ηλεκτροδίου, ανατρέξτε στην ενότητα <i>Τεχνικά στοιχεία στη σελίδα 382</i> .
Μπουζί	Το μπουζί έχει χαλαρώσει.	Σφίξτε το μπουζί.

Ο κινητήρας ξεκινάει αλλά σταματάει ξανά		
Πρόβλημα	Πιθανή αιτία	Συνιστώμενο βήμα
Ντεπόζιτο καυσίμου	Λανθασμένος τύπος καυσίμου.	Αποστραγγίστε το και χρησιμοποιήστε σωστό καύσιμο.

Ο κινητήρας ξεκινάει αλλά σταματάει ξανά		
Πρόβλημα	Πιθανή αιτία	Συνιστώμενο βήμα
Καρμπυρατέρ	Λανθασμένες στροφές ανά λεπτό ρελαντί.	Ρυθμίστε τις στροφές ανά λεπτό ρελαντί. Ανατρέξτε στην ενότητα <i>Για να ρυθμίσετε τις στροφές ανά λεπτό ρελαντί στη σελίδα 378</i> . Απευθυνθείτε στον αντιπρόσωπο σέρβις της περιοχής σας, εάν χρειάζεται.
Φίλτρο αέρα	Φραγμένο φίλτρο αέρα.	Καθαρίστε το φίλτρο αέρα.

Λεπίδα		
Πρόβλημα	Πιθανές αιτίες	Συνιστώμενο βήμα
Η λεπίδα κινείται αργά ή δεν κινείται καθόλου.	Η λεπίδα έχει μπλοκάρει ή έχει υποστεί ζημιά.	Απομακρύνετε από τις λεπίδες τυχόν ανεπιθύμητα υλικά. Ανατρέξτε στην ενότητα <i>Καθαρισμός και λίπανση των λεπίδων στη σελίδα 379</i> . Απομακρύνετε τυχόν ρινίσματα από τη λεπίδα, ανατρέξτε στην ενότητα <i>Έλεγχος των λεπίδων στη σελίδα 379</i> . Αντικαταστήστε τη λεπίδα, εάν έχει υποστεί ζημιά.
Η λεπίδα δεν κόβει με ευκολία.	Η λεπίδα δεν είναι ακονισμένη ή έχει υποστεί ζημιά.	Ακονίστε τη λεπίδα, ανατρέξτε στην ενότητα <i>Έλεγχος των λεπίδων στη σελίδα 379</i> . Αντικαταστήστε τη λεπίδα, εάν έχει υποστεί ζημιά.
Η λεπίδα υπερθερμαίνεται.	Υπάρχει τριβή μεταξύ των λεπίδων.	Απομακρύνετε τυχόν ρινίσματα και λιπάνετε τη λεπίδα. Ανατρέξτε στην ενότητα <i>Έλεγχος των λεπίδων στη σελίδα 379</i> .

Μεταφορά, αποθήκευση και απόρριψη

Μεταφορά και αποθήκευση

- Αφήνετε πάντα το προϊόν να κρυώσει πριν το αποθηκεύσετε.
- Για την αποθήκευση και τη μεταφορά του προϊόντος και του καυσίμου, βεβαιωθείτε ότι δεν υπάρχουν διαρροές ή αναθυμιάσεις. Τυχόν σπινθήρες ή ακάλυπτες φλόγες, για παράδειγμα από ηλεκτρικές συσκευές ή λέβητες, μπορεί να προκαλέσουν πυρκαγιά.
- Να χρησιμοποιείτε πάντα εγκεκριμένα δοχεία για την αποθήκευση και τη μεταφορά των καυσίμων.
- Αδειάζετε το καύσιμο πριν από μεταφορά ή μακροχρόνια αποθήκευση. Απορρίπτετε το καύσιμο σε κατάλληλη τοποθεσία απόρριψης.
- Προσαρτήστε το προστατευτικό μεταφοράς κατά τη μεταφορά και την αποθήκευση.

- Αφαιρέστε το καπάκι του μπουζί από το μπουζί.
- Να στερεώνετε το προϊόν κατά τη μεταφορά. Βεβαιωθείτε ότι δεν μπορεί να μετακινηθεί.
- Να καθαρίζετε και να κάνετε συντήρηση στο προϊόν πριν το αποθηκεύσετε για μεγάλο χρονικό διάστημα.

Απόρριψη

- Πρέπει να συμμορφώνεστε με τις σχετικές τοπικές απαιτήσεις και τους ισχύοντες κανονισμούς.
- Όλα τα χημικά προϊόντα, όπως το λάδι του κινητήρα ή το καύσιμο, πρέπει να απορρίπτονται σε ένα κέντρο σέρβις ή σε κατάλληλη τοποθεσία απόρριψης.
- Απορρίψτε το προϊόν σε εγκεκριμένη τοποθεσία απόρριψης ή στείλτε το στην McCULLOCH για απόρριψη.

Τεχνικά στοιχεία

Τεχνικά στοιχεία

Τεχνικά στοιχεία	SUPERLITE 4528	ERGOLITE 6028
Κινητήρας		
Κυβισμός κυλίνδρου, cm ³	21,7	21,7
Στροφές ανά λεπτό στο ρελαντί, σ.α.λ.	2800	2800
Μέγ. συνιστώμενες στροφές, σ.α.λ.	9000	9000
Μέγιστη ισχύς κινητήρα κατά ISO 8893, kW/σ.α.λ.	0,6/7800	0,6/7800
Εξάτμιση (σιγαστήρας) καταλυτικού μετατροπέα	Ναι	Ναι
Σύστημα ανάφλεξης		
Μπουζί	HQT-4 672201	HQT-4 672201
Διάκενο ηλεκτροδίου, mm	0,5	0,5
Καύσιμο		
Χωρητικότητα ντεπόζιτου καυσίμου, l	0,3	0,3
Βάρος		
Βάρος, κιλά	4,8	5,0
Εκπομπές θορύβου ⁶⁷		
Στάθμη ηχητικής ισχύος, μετρούμενη τιμή σε dB (A)	100	100
Στάθμη ηχητικής ισχύος, εγγυημένη L _{WA} dB (A)	101	101
Στάθμες ήχου ⁶⁸		
Ισοδύναμη στάθμη ηχητικής πίεσης στα αυτιά του χειριστή, μετρημένη κατά EN ISO 10517, dB(A):	93	93
Στάθμες κραδασμών ⁶⁹		
Αντίστοιχα επίπεδα κραδασμών (a _{hν,eq}) στις λαβές, μετρημένα κατά EN ISO 10517, m/s ² :		
Εμπρός/πίσω, mm/s ²	3,5/4,4	4,1/5,2
Λεπίδες		
Τύπος	Διπλής όψης	Διπλής όψης

⁶⁷ Οι εκπομπές θορύβου στο περιβάλλον μετρούνται ως ηχητική ισχύς (L_{WA}) σε συμμόρφωση με την Οδηγία 2000/14/ΕΚ. Η καταγεγραμμένη στάθμη ηχητικής ισχύος για το προϊόν έχει μετρηθεί με το αυθεντικό παρελκόμενο κοπής, που δίνει την υψηλότερη στάθμη. Η διαφορά μεταξύ της εγγυημένης και της μετρούμενης ηχητικής ισχύος είναι ότι η εγγυημένη ηχητική ισχύς περιλαμβάνει επίσης τη διασπορά στο αποτέλεσμα της μέτρησης και τις αποκλίσεις μεταξύ των διαφορετικών προϊόντων του ίδιου μοντέλου σύμφωνα με την Οδηγία 2000/14/ΕΚ.

⁶⁸ Τα καταγεγραμμένα στοιχεία για τη στάθμη πίεσης θορύβου έχουν τυπική στατιστική διασπορά (τυπική απόκλιση) 1 dB(A).

⁶⁹ Τα καταγεγραμμένα στοιχεία για τη στάθμη κραδασμών έχουν τυπική στατιστική διασπορά (τυπική απόκλιση) ίση με 1 m/s².

Τεχνικά στοιχεία	SUPERLITE 4528	ERGOLITE 6028
Μήκος κοπής, mm	450	590
Ταχύτητα κοπής, τομές/λεπτό	4050	4050

Δήλωση Συμμόρφωσης ΕΚ

Δήλωση συμμόρφωσης ΕΕ

Εμείς, η **Husqvarna AB**, SE-561 82 Huskvarna, Σουηδία,
τηλ.: +46-36-146500, δηλώνουμε με αποκλειστική μας
ευθύνη ότι το προϊόν:

Περιγραφή	Μπορντουροφάλιδο
Μάρκα	McCULLOCH
Τύπος / Μοντέλο	SUPERLITE 4528, ERGOLITE 6028
Αναγνώριση	Αριθμοί σειράς με ημερομηνία από το 2022 και έπειτα

συμμορφώνεται πλήρως με τις ακόλουθες οδηγίες και
τους κανονισμούς της ΕΕ:

Κανονισμός	Περιγραφή
2006/42/ΕΚ	"σχετικά με τα μηχανήματα"
2014/30/ΕΕ	"σχετικά με την ηλεκτρομαγνητική συμβατότητα"
2000/14/ΕΚ	"σχετικά με τις εκπομπές θορύβου στο περιβάλλον, Παράρτημα V"
2011/65/ΕΕ	"σχετικά με τον περιορισμό της χρήσης ορισμένων επικίνδυνων ουσιών σε είδη ηλεκτρικού και ηλεκτρονικού εξοπλισμού"

και ότι εφαρμόζονται τα παρακάτω πρότυπα ή/και
τεχνικές προδιαγραφές: EN ISO 12100:2010, EN ISO
10517:2019, EN IEC 63000:2018, EN ISO 14982:2009.

Κοινοποιημένος φορέας: H RISE SMP Svensk
Maskinprovning AB., Box 7035, SE-750 07 Uppsala,
Sweden έχει διενεργήσει εθελοντικά εξέταση τύπου για
λογαριασμό της Husqvarna AB.

Αριθμός πιστοποιητικού: SEC/11/2327

Για πληροφορίες σχετικά με τις εκπομπές θορύβου,
ανατρέξτε στην ενότητα *Τεχνικά στοιχεία στη σελίδα 382*.

Huskvarna, 2022-02-15

Stefan Holmberg, Διευθυντής εργαλείων χειρός
παγκόσμιου δικτύου, Διευθυντής εργαστηρίων HH
Global Services, Husqvarna AB

Υπεύθυνος για την τεχνική τεκμηρίωση

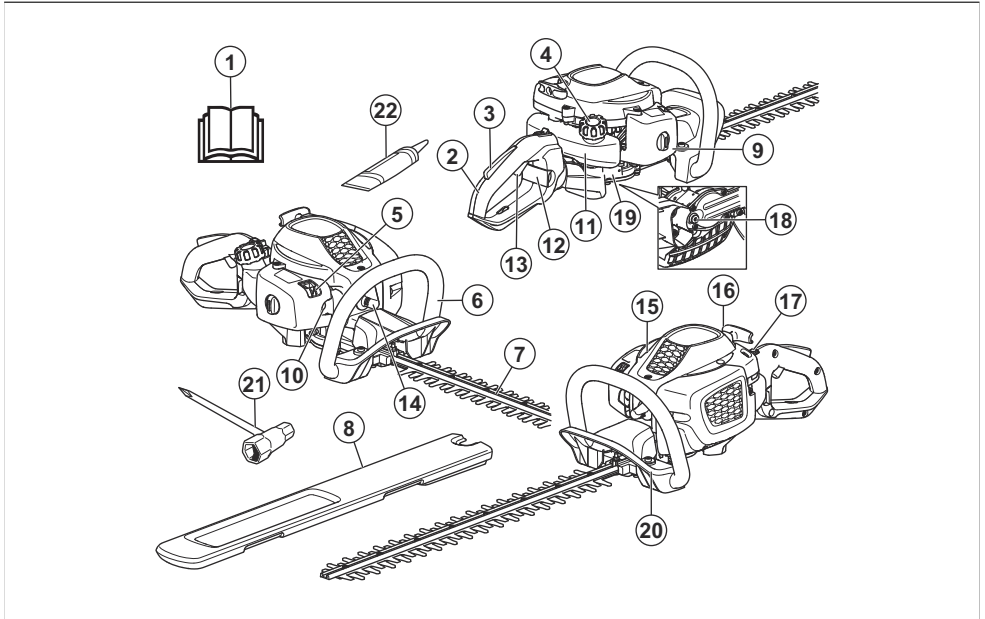


Sadržaj

Uvod.....	385	Rješavanje problema.....	396
Sigurnost.....	386	Transport, skladištenje i odbacivanje.....	397
Rukovanje.....	391	Tehnički podaci.....	398
Održavanje.....	393	Izjava EK o usklađenosti.....	400

Uvod

Pregled proizvoda



1. Priručnik za rad
2. Zadnja ručka
3. Blokada poluge gasa
4. Poklopac rezervoara za gorivo
5. Ručica za čok
6. Prednja ručka
7. Nož i štitnik noževa
8. Štitnik za transport
9. Poklopac filtera za zrak
10. Pumpica za istiskivanje zraka
11. Rezervoar za gorivo
12. Ručka za zaključavanje (ErgoLite)
13. Poluga gasa
14. Kapica svječiće i svječića
15. Poklopac cilindra
16. Ručka užeta za pokretanje
17. Prekidač za zaustavljanje
18. Poklopac za punjenje sredstva za podmazivanje
19. Kucište mjenjača
20. Štitnik za ruke
21. Kombinirani ključ
22. Tuba maziva

Opis proizvoda

Proizvod je trimer za ogradu sa SUS motorom.

Namjena

Proizvod koristite za rezanje grana i grančica. Nemojte koristiti proizvod za druge poslove.

Simboli na proizvodu



UPOZORENJE! Ovaj proizvod može biti opasan i izazvati teške povrede ili smrt operatora i drugih osoba. Budite oprezni i koristite proizvod na pravilan način.



Prije upotrebe pažljivo pročitajte priručnik za rad rukovaoca i vodite računa da vam upute budu jasne.



Koristite odobrenu zaštitu za uši i oči.



Koristite odobrene zaštitne rukavice.



Koristite robusne protuklizne čizme.



Kuglica pumpice za istiskivanje zraka.



Čok.



Brava za podešavanje ručke.



Govorivo.



Emisije buke u okruženje u skladu s evropskom Direktivom 2000/14/EC i propisom za zaštitu od radova u okruženju (kontrola buke) Novog Južnog Velsa iz 2017. Podaci o emisiji buke nalaze se na naljepnici mašine i u poglavlju Tehnički podaci.



Proizvod je usklađen s važećim direktivama EZ.

yyyywwxxxx

Na pločici s oznakom kategorije je prikazan serijski broj. **yyyy** označava godinu proizvodnje, a **ww** označava sedmicu proizvodnje.

Napomena: Drugi simboli/naljepnice na proizvodu odnose se na uslove certificiranja za određena tržišta.

Emisije Euro V



UPOZORENJE: Neovlaštenim otvaranjem proizvoda poništava se EU odobrenje tipa ovog proizvoda.

Sigurnost

Definicije sigurnosti

Upozorenja, pozivi na oprez i napomene se koriste za isticanje naročito važnih dijelova priručnika.



UPOZORENJE: Koriste se ukoliko postoji opasnost od povrede ili smrti rukovaoca ili osoba u blizini ako se uputstva iz priručnika ne poštuju.



OPREZ: Koriste se ukoliko postoji opasnost od oštećenja proizvoda, drugih materijala ili neposrednog okruženja ako se uputstva iz priručnika ne poštuju.

Napomena: Koriste se za pružanje više informacija koje su neophodne u datoj situaciji.

Opće sigurnosne upute



UPOZORENJE: Prije upotrebe proizvoda pročitajte upozorenja u nastavku.

- Neispravna ili nepažljiva upotreba proizvoda može ga učiniti opasnim alatom koji može prouzrokovati teške ili smrtonosne povrede. Veoma je važno da pročitate i razumijete sadržaj ovog korisničkog priručnika.
- Proizvod stvara elektromagnetno polje tokom rada. To polje u određenim okolnostima može ometati rad aktivnih ili pasivnih medicinskih implantata. Da biste smanjili rizik od teških ili smrtnih povreda, preporučujemo osobama s medicinskim implantatima da se prije upotrebe ovog proizvoda posavjetuju sa svojim ljekarom i proizvođačem medicinskog implantata.
- Preveliko izlaganje vibracijama može dovesti do oštećenja cirkulacije ili živaca kod osoba s problemima s cirkulacijom krvi. Obratite se ljekarom

- ako primijetite simptome od prevelikog izlaganja vibracijama. Ovi simptomi uključuju zatupljenost udova, gubitak osjećaja, trnce, ubode, bol, gubitak snage, promjene u boji kože ili stanju. Ovi simptomi se obično javljaju u prstima, rukama ili zglobovima. Rizik se povećava pri niskim temperaturama.
- Korišteni prigušivač i zaštita od iskrenja mogu sadržavati kancerogene čestice od sagorijevanja. Izbjegavajte izlaganje takvim jedinjenjima kod upotrebe prigušivača i/ili zaštite od iskrenja. Prije rukovanja prigušivačem ili zaštitom od iskrenja pročitajte uputstva sadržana u *Pregled prigušivača na strani 389*.
 - Ako dođete u situaciju u kojoj ne znate kako postupiti, obratite se stručnjaku. Obratite se zastupniku ili servisu. Izbjegavajte sve načine korištenja za koje smatrate da prevazilaze vaše sposobnosti.
 - Imajte na umu da je rukovalac odgovoran za nesreće ili opasnosti koje se nanese drugim osobama ili njihovoj imovini.
 - Nikad ne dozvolite da druga osoba koristi proizvod, a da pritom niste provjerili je li ta osoba s razumijevanjem pročitala sadržaj priručnika za rukovoace.
 - Nemojte nikada dozvoliti djeci da koriste proizvod ili da se nalaze u njegovoj blizini. S obzirom da je proizvod opremljen prekidačem s oprugom za zaustavljanje i može se pokrenuti primjenom male brzine i sile na ručici za pokretanje, čak i mala djeca pod određenim okolnostima mogu imati dovoljno snage potrebne za pokretanje proizvoda. Ovo može predstavljati rizik od teških povreda. Stoga uklonite zatvarač svjeće kada proizvod nije pod strogim nadzorom.
 - Proizvod držite van domašaja djece.
 - Nikada nemojte upotrebljavati proizvod ako ste umorni, ako ste pili alkohol ili uzeli lijek koji djeluje na vaš vid, sposobnost rasuđivanja ili koordinaciju.
 - Nikada nemojte koristiti neispravan proizvod. Izvršavajte provjere, postupak održavanja i servisne upute opisane u ovom priručniku. Određene poslove održavanja i servisiranja moraju obavljati obučeni i kvalificirani stručnjaci. Pogledajte upute pod naslovom Održavanje.
 - Nikada nemojte koristiti proizvod koji je na bilo koji način izmijenjen u odnosu na izvorne specifikacije

Sigurnosne upute za rad



UPOZORENJE: Prije upotrebe proizvoda pročitajte upozorenja u nastavku.

- Nikada ne koristite proizvod pri lošim vremenskim uslovima kao što su velike hladnoće, vrućine i/ili vlažnosti.
- Neispravni noževi mogu povećati rizik nesreće.

- Vodite računa da tokom rada ljudi i životinje budu na udaljenosti od najmanje 15 m / 50 stopa.
- Pregledajte okruženje i vodite računa da nema opasnosti po ljude ili životinje koje dolaze u kontakt s opremom za rezanje.
- Pregledajte radni prostor. Uklonite predmete koji mogu biti izbačeni.
- Vodite računa da uvijek imate siguran i stabilan položaj.
- Proizvod nemojte nikad ostavljati bez nadzora dok motor radi.
- Pazite da vam ruke i stopala ne dođu blizu rezne jedinice dok motor radi.
- Ako se nešto zaglavi u noževima za vrijeme rada, isključite motor i pričekajte dok se potpuno ne zaustavi prije nego što očistite noževe. Skinite poklopac svjeće sa svjeće.
- Kad je motor isključen, držite ruke i stopala podalje od rezne jedinice dok se ona potpuno ne zaustavi.
- Pazite na panjeve i granje koji mogu biti izbačeni prilikom rezanja.
- Obraćajte pažnju na signale upozorenja ili povike kada nosite zaštitne slušalice. Uvijek uklonite opremu za zaštitu sluha čim se motor zaustavi.
- Nikada nemojte raditi sa merdevina, stolice ili drugog izdignutog položaja koji nije potpuno učvršćen.
- Proizvod uvijek držite objema rukama. Držite proizvod ispred tijela.
- Ako udarite u strani predmet ili dođe do vibracija, odmah zaustavite proizvod. Skinite poklopac svjeće sa svjeće. Provjerite je li proizvod oštećen. Po potrebi popravite.
- Vodite računa da zatvarač svjeće i kablovi za paljenje nisu oštećeni da izbjegnute opasnost od elektroškoka.
- Provjerite jesu li matice i vijci pritegnuti.
- Provjerite je li mjenjač pravilno podmazan. Pogledajte odjeljak *Nanošenje maziva u kućište mjenjača na strani 396*.
- Mjenjač se zagrijava kad se proizvod koristi. Da biste izbjegli opekotine, nemojte dirati mjenjač.
- Prije pokretanja moraju se postaviti svi poklopci i štitnici.
- Ako se noževi zaglave, možete ih otpustiti guranjem kombiniranog ključa u mjenjač. Gurnite kombinirani ključ u prenosni sistem i okrenite ga naprijed i natrag. Pogledajte odjeljak *Nanošenje maziva u kućište mjenjača na strani 396*.
- Transportni štitnik se uvijek mora postaviti na reznu jedinicu kada se proizvod transportuje ili skladišti.

Lična zaštitna oprema

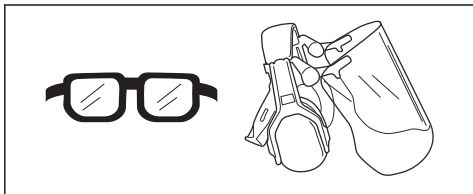


UPOZORENJE: Prije upotrebe proizvoda pročitajte upozorenja u nastavku.

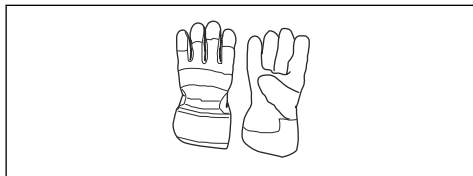
- Uvijek koristite odobrenu opremu za ličnu zaštitu kada rukujete proizvodom. Lična zaštitna oprema ne

može u potpunosti spriječiti povrede, ali smanjuje stepen povreda u slučaju nesreće. Neka vam zastupnik pomogne pri izboru odgovarajuće opreme.

- Koristite odobrenu zaštitu za sluh koja pruža odgovarajuće smanjenje buke. Dugotrajno izlaganje buci može izazvati trajno oštećenje sluha.
- Koristite odobrenu zaštitu za oči. Ako koristite vizir, morate koristiti i odobrene zaštitne naočale. Odabrane zaštitne naočale moraju ispunjavati standard ANSI Z87.1 u SAD-u ili EN 166 u zemljama EU.



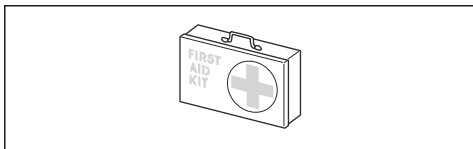
- Koristite rukavice kada je to neophodno, naprimjer prilikom spajanja, pregledanja ili čišćenja opreme za rezanje.



- Koristite čvrste cizme ili cipele koje se ne kliču.



- Koristite odjeću od čvrstih materijala. Uvijek koristite debele, duge hlače i duge rukave. Nemojte koristiti odjeću koja se može zakačiti za grančice i grane. Nemojte koristiti nakit, kratke hlače, sandale ili biti bosonogi. Podignite kosu na sigurno područje iznad ramena.
- Držite komplet za prvu pomoć pri ruci.



Sigurnosna sredstva na proizvodu

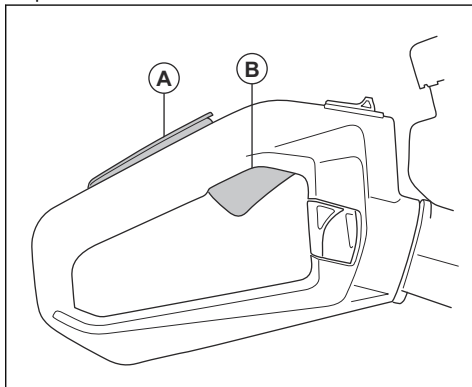


UPOZORENJE: Prije upotrebe proizvoda pročitajte upozorenja u nastavku.

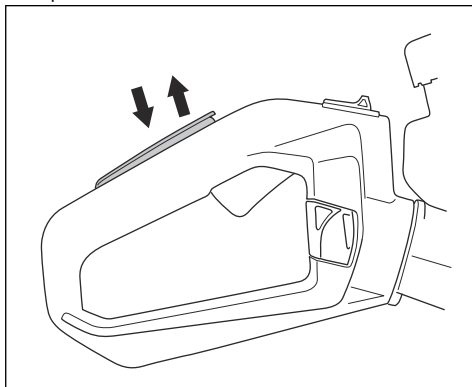
- Nemojte koristiti proizvod s neispravnim sigurnosnim sredstvima.
- Redovno provjeravajte sigurnosna sredstva. Ukoliko sigurnosno sredstvo nije ispravno, obratite se svom predstavniku McCULLOCH servisa.

Provjera blokade poluge gasa

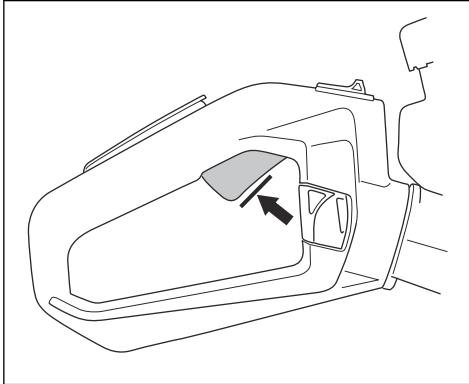
1. Provjerite pomjeraju li se nesmetano blokada poluge gasa (A) i poluga gasa te radi li povratna opruga pravilno.



2. Pritisnite prema dolje blokadu poluge gasa i uvjerite se da se vraća u svoj početni položaj kada je otpustite.



3. Otpustite blokadu poluge gasa i provjerite da je poluga gasa blokirana u položaju za prazni hod.



4. Pokrenite motor i dajte puni gas.
5. Pustite polugu gasa i uvjerite se da su se noževi potpuno zaustavili.



UPOZORENJE: Ako se noževi kreću dok je poluga gasa u položaju za prazni hod, potrebno je podesiti brzinu praznog hoda. Pogledajte *Da biste podesili brzinu u praznom hodu* na strani 394.

Provjera prekidača za zaustavljanje

1. Pokrenite motor.
2. Pomjerite prekidač za zaustavljanje u položaj za zaustavljanje i provjerite da li se motor zaustavi.



UPOZORENJE: Prekidač za zaustavljanje se automatski vraća u početni položaj. Uklonite zatvarač sa svjeće kada sastavljate ili održavate proizvod kako biste izbjegli slučajno pokretanje.

Provjera štitnika za ruke

Štitnik za ruke sprječava ozljede uzrokovane noževima.

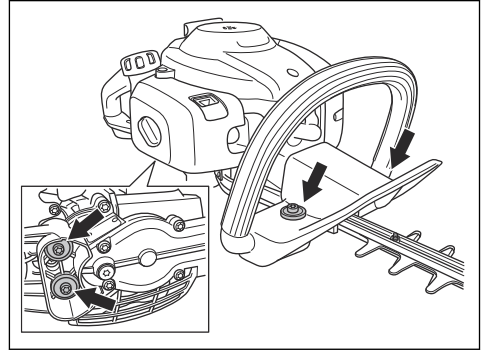
1. Zaustavite motor.
2. Vodite računa da je štitnik za ruku pravilno postavljen.
3. Pregledajte da li je štitnik oštećen.

Provjera sistema ublažavanja vibracija

Sistem za smanjivanje vibracija umanjuje vibracije na ručkama. Jedinice za smanjivanje vibracija funkcioniraju kao separacija između šasije proizvoda i ručki.

1. Pregledajte ima li deformacija i oštećenja.

2. Vodite računa da su jedinice za ublaživanje vibracija pravilno pričvršćene.



Pregled prigušivača



UPOZORENJE: Nemojte rukovati proizvodom bez auspuha ili ako je auspuh oštećen. Oštećeni auspuh može povećati nivo buke i opasnost od požara. Nemojte koristiti proizvod ako je mrežica svjeće oštećena ili je nema. Ako je zaštita od varnica oštećena, mora se zamijeniti.



UPOZORENJE: Korišteni prigušivač i zaštita od isklenja sadržavaju kancerogene čestice od sagorijevanja. Koristite zaštitne rukavice i provedite održavanje u dobro prozračenom okruženju kako biste izbjegli dodir s kožom ili udisanje kancerogenih čestica. Ne koristite zrak pod pritiskom da očistite zaštitu od isklenja. Koristite žičanu četku i četkajte uvijek od tijela prema vani kada čistite zaštitu od isklenja.



UPOZORENJE: Prilikom rada i nakon rada te tokom praznog hoda, auspuh se jako zagrije.



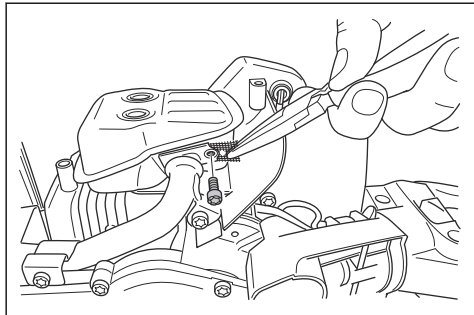
OPREZ: Ako se mrežica svjeće često začepljuje, to može biti znak smanjenih performansi katalizatora. Obratite se svom ovlaštenom servisu da pregleda auspuh. Začepljena mrežica svjeće će uzrokovati pregrijavanje te štetu na cilindru i klipcu.



UPOZORENJE: Unutrašnje površine auspuha sadrže kancerogene hemikalije. Budite oprezni da ne dodirnete te elemente ukoliko je auspuh oštećen.

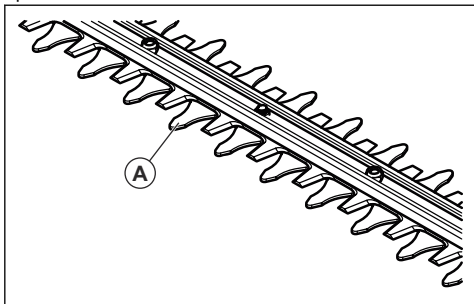
Auspuh snižava nivo buke na najmanju moguću mjeru, a izduvne gasove usmjerava dalje od rukovaoca. Auspuh s katalizatorom smanjuje štetne ispušne gasove.

1. Zaustavite motor.
2. Izvršite vizuelni pregled oštećenja i deformacija.
3. Vodite računa da auspuh bude ispravno pričvršćen za proizvod.
4. Mrežicu svjeće lagano očistite žičanom četkom.



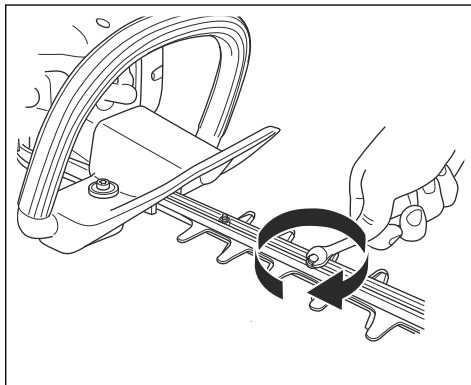
Provjera noža i štitnika noževa

Vanjski dio noževa (A) funkcionira kao štitičnik noževa. Štitičnik noževa također sprečava slučajni kontakt operatera i noža.



1. Zaustavite motor i provjerite da se rezna jedinica zaustavila.
2. Otklonite poklopac svjeće sa svjeće.
3. Stavite zaštitne rukavice.
4. Vodite računa da nož i štitičnik noževa nisu oštećeni niti savijeni. Obavezno zamijenite oštećeni ili savijeni nož.

5. Provjerite jesu li pričvršćeni vijci na reznoj jedinici. Vijke zategnite pomoću sile zatezanja od 7 do 10 Nm.



Sigurnosne mjere pri rukovanju s gorivom



UPOZORENJE: Prije upotrebe proizvoda pročitajte upozorenja u nastavku.

- Nemojte pokretati proizvod ako u proizvodu ima goriva ili motornog ulja na proizvodu. Odstranite neželjeno gorivo/ulje i dopustite da se proizvod osuši.
- Ako prolijete gorivo po odjeći, odmah presvucite odjeću.
- Nemojte dopustiti da gorivo dospje na tijelo, to može izazvati povredu. Ako gorivo dospje na odjeću, koristite sapun i vodu da odstranite gorivo.
- Nemojte pokretati proizvod ako se na motoru javlja curenje. Redovno provjeravajte motor na curenje.
- Budite oprezni s gorivom. Gorivo je zapaljivo i pare su eksplozivne i mogu izazvati povrede ili smrt.
- Nemojte udisati pare od goriva, to može izazvati povredu. Uvjerite se da ima dovoljno protoka zraka.
- Nemojte pušiti u blizini goriva ili motora.
- Nemojte stavljati tople predmete u blizini goriva ili motora.
- Nemojte dodavati gorivo kada je motor uključen.
- Uvjerite se da je motor hladan prije nego dopunite gorivo.
- Prije dopunjavanja gorivom, otvorite poklopac rezervoara za gorivo i pažljivo oslobodite pritisak.
- Nemojte dodavati gorivo u motor u zatvorenom prostoru. Nedovoljni protok zraka može izazvati povredu ili smrt zbog nedostatka kisika ili ugljičnog monoksida.
- Potpuno pritegnite poklopac rezervoara za gorivo. Ako poklopac rezervoara za gorivo nije pritegnut, postoji opasnost od požara.

- Pomjerite proizvod minimalno 3 m (10 stopa) od položaja gdje ste punili spremnik za gorivo prije pokretanja proizvoda.
- Rezervoar za gorivo nemojte potpuno napuniti. Gorivo se na vrućini širi. Zadržite slobodnog prostora pri vrhu rezervoara za gorivo.

Sigurnosne upute za održavanje



UPOZORENJE: Prije upotrebe proizvoda pročitajte upozorenja u nastavku.

- Zaustavite motor i provjerite da se rezna oprema ne okreće. Pričekajte da se proizvod ohladi prije održavanja.
- Prije održavanja uklonite kapicu svjeće.
- Izduvni gasovi iz motora sadrže karbon monoksid, veoma otrovan i opasan gas bez mirisa koji može uzrokovati smrt. Ne pokrećite proizvod u zatvorenom prostoru ili zatvorenim prostorijama.

- Izduvni gasovi motora su vrel i mogu emitirati iskre. Nemojte pokretati proizvod u zatvorenom prostoru ili u blizini zapaljivih materijala.
- Pribor i promjene na proizvodu koje nije odobrio proizvođač mogu uzrokovati teške povrede ili smrt. Nemojte vršiti izmjene na proizvodu. Uvijek koristite originalni pribor.
- Ukoliko se održavanje ne vrši ispravno i redovno, postoji povećan rizik od povreda i oštećenja proizvoda.
- Održavanje obavljajte samo prema preporukama datim u ovom priručniku za rukovoce. Pustite da ovlašteni predstavnik McCULLOCH servisa obavli sve ostale servisne radnje.
- Pustite da odobreni predstavnik McCULLOCH servisa redovno servisira proizvod.
- Zamijenite oštećene, istrošene ili polomljene dijelove.

Rukovanje

Uvod



UPOZORENJE: Prije upotrebe proizvoda, s razumijevanjem pročitajte poglavlje o sigurnosti.

Gorivo

Ovaj proizvod ima dvotaktni motor.



OPREZ: Nepravilno gorivo može uzrokovati oštećenje motora. Koristite mješavinu benzina i ulja za dvotaktni motor.

Pripremljena smješa goriva

- Za najbolje rezultate i duži radni vijek motora, koristite pripremljenu smještu goriva McCULLOCH. Takvo gorivo sadrži manje opasne hemikalije od običnog goriva, čime se smanjuju opasni ispušni dimovi. S takvim gorivom, količina ostataka nakon sagorijevanja je manja, zbog čega sastavni dijelovi motora budu čišći.

Miješanje goriva

Benzin

- Koristite bezolovni benzin dobrog kvaliteta s maksimalnim sadržajem etanola do 10%.



OPREZ: Nemojte koristiti benzin čiji oktanski broj je manji od 90 RON/87 AKI. Upotrebom goriva koje ima manji

oktanski broj može izazvati kuckanje u motoru te oštećenje istog.

Ulje za dvotaktni motore

- Za najbolje rezultate i rada koristite McCULLOCH ulje za dvotaktni motore.
- Ukoliko McCULLOCH ulje za dvotaktni motore nije dostupno, koristite kvalitetno ulje za dvotaktni motore sa zračnim hlađenjem. Obratite se zastupniku servisa za odabir pravilnog ulja.



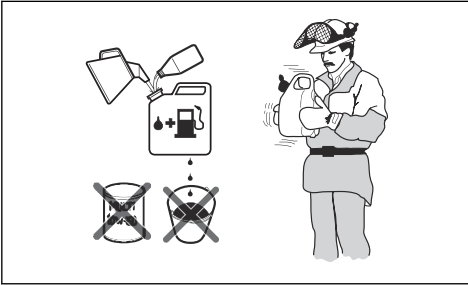
OPREZ: Nemojte koristiti ulje za vanbrodske dvotaktni motore s vodenim hlađenjem, koji se nazivaju i vanbrodski. Nemojte koristiti ulje za četverotaktni motore.

Miješanje benzina i ulja za dvotaktni motore

Benzin, litar	Ulje za dvotaktni motore, litar
	2% (50:1)
5	0,10
10	0,20
15	0,30
20	0,40



OPREZ: Ukoliko pravite malu količinu smješe, male greške mogu drastično poremetiti omjer smješe. Pravilno izmjerite količinu ulja i vodite računa da dobijete pravilnu smješu.



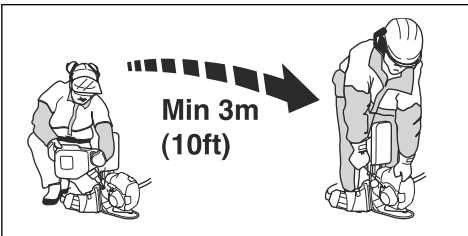
1. Naspite pola količine benzina u čistu posudu za gorivo.
2. Dodajte punu količinu ulja.
3. Protresite smješu goriva.
4. Dodajte preostalu količinu benzina u posudu.
5. Protresite smješu goriva.



OPREZ: Nemojte miješati gorivo više od jednom mjesečno.

Da biste napunili spremnik za gorivo

1. Očistite područje oko poklopca rezervoara.
2. Protresite posudu i provjerite je li gorivo dobro izmiješano. Uvijek koristite posudu za gorivo s ventilom protiv proljevanja.
3. Uklonite poklopac rezervoara za gorivo
4. Napunite spremnik za gorivo.
5. Pažljivo pritegnite poklopac rezervoara za gorivo.
6. Prije pokretanja, proizvod odmaknite na udaljenost od najmanje 3 m (10 ft) od područja gdje se gorivo sipa i gdje je izvor goriva.



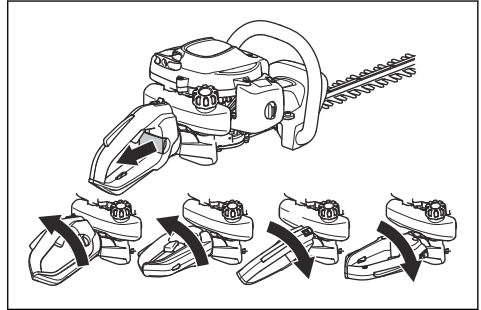
OPREZ: Kontaminacija rezervoara uzrokuje kvar. Redovno čistite rezervoar za

gorivo i rezervoar za ulje lanca i mijenjajte filter ulja jednom godišnje ili češće.

Podešavanje ručke (ERGOLITE 6028)

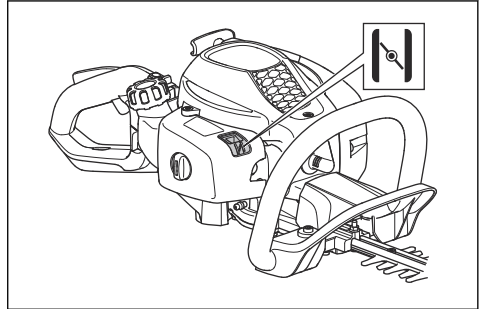
zadnju ručku možete postaviti u pet položaja.

- Otpustite blokadu ručke i okrenite ručku.



Pokretanje proizvoda hladnog motora

1. Povucite ručica za čok u položaj za čok.



2. Pritisnite pumpicu za istiskivanje vazduha otprilike 6 puta ili dok gorivo ne počne puniti pumpicu. Nije neophodno da se pumpica za istiskivanje vazduha napuni u potpunosti.
3. Kućište proizvoda držite na tlu lijevom rukom. Nemojte stajati na proizvod.
4. Desnom rukom polako povucite ručku konopa za pokretanje dok ne osjetite otpor, a zatim snažno povucite ručku konopa.



UPOZORENJE: Nemojte namotavati konop za pokretanje oko ruke.



OPREZ: Nemojte povlačiti konop za pokretanje do kraja i nemojte ispuštati ručku konopa za pokretanje.

5. Nastavite povlačiti ručku konopa za pokretanje dok se motor ne pokrene, a zatim gurnite ručicu za čok u početni položaj.



UPOZORENJE: Noževi se kreću kada se motor pokrene.

- Nastavite povlačiti ručku konopa za pokretanje dok se motor ne pokrene.
- Gurnite i otpustite polugu gasa da motor stavite u prazan hod.
- Postepeno gurnite polugu gasa da povećate brzinu motora.
- Vodite računa da motor radi glatko.

Pokretanje proizvoda zagrijanog motora

- Kučište proizvoda držite na tlu lijevom rukom. Nemojte stajati na proizvod.
- Desnom rukom polako povucite ručku konopa za pokretanje dok ne osjetite otpor, a zatim snažno povucite ručku konopa. Ponavljajte dok se motor ne pokrene.

Napomena: Dodatne informacije o pokretanju proizvoda potražite u odjeljku *Pokretanje proizvoda hladnog motora na strani 392*.

Zaustavljanje proizvoda

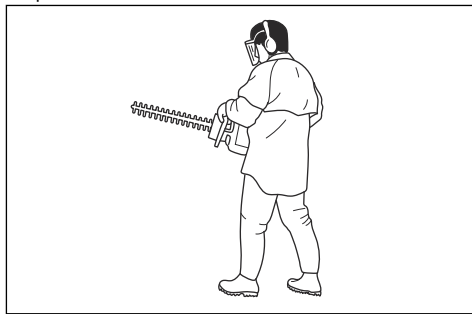
- Da zaustavite motor, prekidač za zaustavljanje pomjerite u položaj za zaustavljanje.



OPREZ: Prekidač za zaustavljanje se automatski vraća u položaj za pokretanje.

Rad s uređajem

- Započnite na tlu i pomjerajte proizvod sa strane živice kada režete bočne strane. Vodite računa da proizvod ne dodirne živicu.



UPOZORENJE: Vodite računa da pribor za rezanje ne dodirne tlo.

- Brzinu prilagodite radnom opterećenju.
- Držite proizvod uz tijelo za stabilan radni položaj.
- Budite oprezni i koristite proizvod polako.

Održavanje

Uvod



UPOZORENJE: Prije održavanja proizvoda pročitajte s razumijevanjem poglavlje o sigurnosti.

Plan održavanja

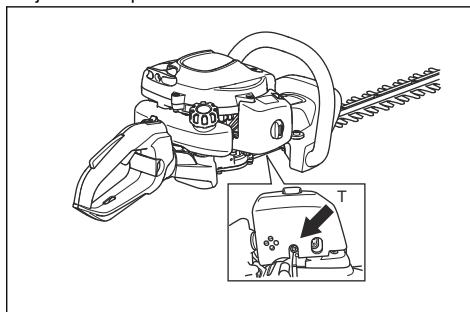
Održavanje	Prije rada	Nakon 40 h	Nakon 100 h
Očistite vanjsku površinu.		Nakon svake upotrebe.	
Očistite auspuh, ispušnu cijev i motor od lišća, prljavštine i neželjenog maziva.		Nakon svake upotrebe.	
Vodite računa da se rezna jedinica ne okreće pri radu u praznom hodu.	X		
Provjerite prekidač za zaustavljanje. Pogledajte odjeljak <i>Provjera prekidača za zaustavljanje na strani 389</i> .	X		
Pregledajte ima li na reznoj jedinici oštećenja ili pukotina. Zamijenite po potrebi.	X		
Pregledajte ima li na štitniku za ruke oštećenja ili pukotina. Zamijenite po potrebi.	X		

Održavanje	Prije rada	Nakon 40 h	Nakon 100 h
Provjerite blokadu poluge gasa i polugu gasa. Pogledajte odjeljak <i>Provjera blokade poluge gasa na strani 388.</i>	X		
Pregledajte ima li curenja na motoru, rezervoaru za gorivo i dovodu goriva.	X		
Pritegnite matice i vijke.	X		
Očistite ili zamijenite zaslon za odvođenje iskre na prigušivaču. Pogledajte odjeljak <i>Pregled prigušivača na strani 389.</i>		X	
Pregledajte ima li oštećenja na starteru motora i konopu za pokretanje.		X	
Provjerite jesu li vijci koji drže noževe zajedno ispravno zategnuti.		X	
Čišćenje filtera zraka. Očistite češće ako se koristi na područjima gdje ima prašine. Zamijenite po potrebi.		X	
Pregledajte ima li na jedinicama za ublažavanje vibracija oštećenja ili pukotina. Zamijenite po potrebi.		X	
Očistite vanjsku površinu svjeće i prostor oko nje. Uklonite kapicu svjeće i izmjerite zazor elektroda. Podesite zazor elektroda ili zamijenite kapicu svjeće. Pogledajte odjeljak <i>Da biste provjerili svjećicu na strani 395.</i>		X	
Očistite sistem za hlađenje.		X	
Očistite vanjsku površinu karburatora i prostor oko njega.		X	
Pregledajte ima li na filteru za gorivo zaprljanja, te ima li na crijevu za gorivo pukotina ili drugih oštećenja. Zamijenite po potrebi.			X
Očistite mrežicu svjeće na auspuhu i zamijenite ako je oštećena.			X
Očistite unutrašnju površinu poklopca filtera.			X
Zamijenite svjećicu.			X
Provjerite istrošenost spojnice, opruge spojnice i bubnja. Ako postoje oštećenja, zamijenite kod zastupnika servisa.			X
Vodite računa da kućište mjenjača bude napunjeno mazivom.			X
Provjerite sve kablove i spojeve.			X

Da biste podesili brzinu u praznom hodu

- Očistite filter za vazduh i postavite njegov poklopac.
- Pokrenite proizvod. Pogledajte *Pokretanje proizvoda hladnog motora na strani 392.*

- Okrenite vijak T za podešavanje brzine u praznom hodu u smjeru kretanja kazaljki na satu dok se rezna jedinica ne počne okretati.



4. Okrenite vijak za podešavanje brzine u praznom hodu u smjeru suprotnom od smjera kretanja kazaljki na satu dok se rezna jedinica ne zaustavi.

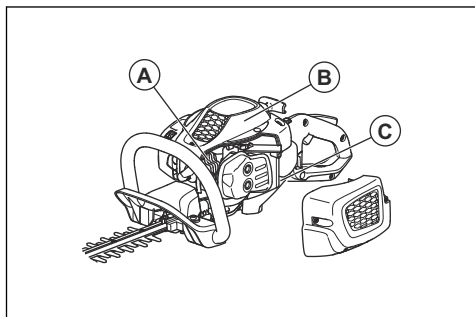


UPOZORENJE: Ukoliko se rezna jedinica ne zaustavi prilikom podešavanja brzine u praznom hodu, javite se najbližem ovlaštenom servisu. Nemojte koristiti proizvod dok ne bude pravilno podešen ili popravljen.

Napomena: Brzina u praznom hodu je pravilno namještena kada motor glatko radi u svakom položaju. Preporučene brzine rada u praznom hodu pogledajte ovdje: *Tehnički podaci na strani 398.*

Čišćenje sistema za hlađenje

Sistem za hlađenje sprečava zagrijavanje motora. Sistem za hlađenje obuhvaća rashladne lopatice na cilindru (A), poklopac cilindra (B) i usis vazduha kroz kućište (C).



OPREZ: Usis vazduha između rezervoara za gorivo i kućišta lako se začepli lišćem. U potpunosti očistite usis vazduha.

1. Četkom očistite rashladni sistem jednom sedmično ili češće ako je potrebno.
2. Vodite računa da rashladni sistem ne bude prljav ili zakrčen.

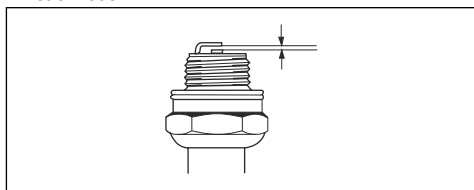
Da biste provjerili svječicu



OPREZ: Uvijek koristite preporučenu vrstu svječica. Neispravan tip svječice može izazvati oštećenje na proizvodu.

- Provjerite svječicu ako motor ima slabu energiju, ako nije lako pokrenuti ili ako ne radi ispravno na brzini pri praznom hodu.
- Da biste smanjili opasnost od neželjenih materijala na elektrodama svječice, poštujujte ova uputstva:

- a) Uvjerite se da je brzina u praznom hodu ispravno podešena.
 - b) Uvjerite se da je mješavina goriva ispravna.
 - c) Uvjerite se da je filter za zrak čist.
- Ako je svječica zaprljana, očistite je i uvjerite se da razmak elektroda ispravan, vidite *Tehnički podaci na strani 398.*

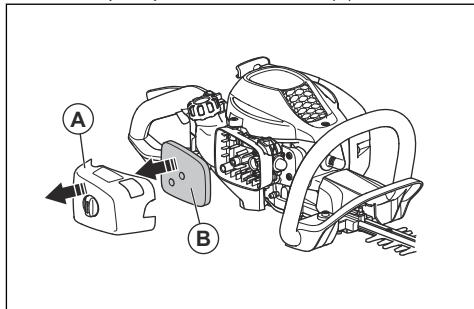


- Zamijenite svječicu ako je to potrebno.

Čišćenje filtera za vazduh

Redovno čistite filter za vazduh od prljavštine i prašine. Na taj način sprečavate nepravilan rad karburatora, probleme prilikom pokretanja, gubitak snage motora, habanje dijelova motora i veću potrošnju goriva od uobičajene.

1. Uklonite poklopac filtera za vazduh (A).



2. S okvira filtra uklonite filter za vazduh (B).
3. Očistite filter za zrak toplom sapunjavom vodom.



OPREZ: Filter za vazduh koji se koristi duže vrijeme nije moguće potpuno očistiti. Redovno mijenjajte filter za vazduh i uvijek zamijenite neispravan filter za vazduh.

4. Uvjerite se da je filter za zrak suh.
5. Dodajte ulje u filter za vazduh. Pogledajte *Dodavanje ulja u filter za zrak od pjene na strani 395.*
6. Očistite unutrašnju površinu poklopca filtera za vazduh. Koristite vazduh pod pritiskom ili četku.

Dodavanje ulja u filter za zrak od pjene

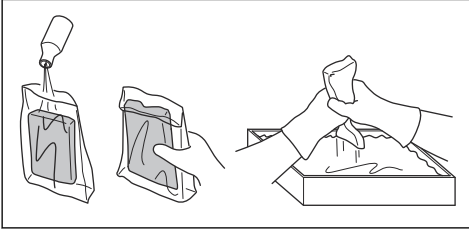


OPREZ: Uvijek koristite McCULLOCH posebno ulje za filtere za zrak. Nemojte koristiti druge tipove ulja.



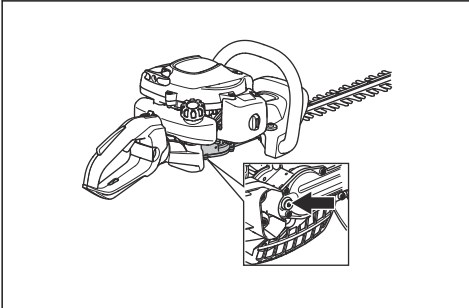
UPOZORENJE: Stavite zaštitne rukavice. Ulje za filter za zrak može izazvati iritaciju kože.

1. Stavite filter za zrak od pjene u plastičnu vrećicu.
2. Stavite ulje u plastičnu vrećicu.
3. Protirajte plastičnu vrećicu kako bi se ulje ravnomjerno rasporedilo po filteru za zrak od pjene.
4. Istisnite višak ulja iz filtera za zrak od pjene dok je u plastičnoj vrećici.



Nanošenje maziva u kućište mjenjača

- Koristite McCULLOCH specijalno mazivo. Informacije o preporučenim mazivima potražite kod svog zastupnika servisa.
- Dodajte mazivo kroz poklopac za punjenje sredstva za podmazivanje na kućištu mjenjača.



OPREZ: Nemojte kućište mjenjača napuniti do vrha.

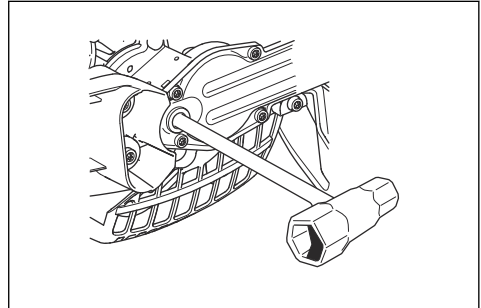
Čišćenje noževa i nanošenje maziva

1. Očistite noževe od neželjenih materijala prije i nakon korištenja proizvoda.
2. Prije uskladištenja proizvoda na duže vrijeme nanesite mazivo na noževe.

Napomena: Informacije o preporučenim mazivima potražite kod svog zastupnika servisa.

Pregledavanje noževa

1. Uklonite poklopac za punjenje sredstva za podmazivanje na kućištu mjenjača.
2. Provjerite da li se noževi slobodno kreću. U kućište mjenjača umetnite kombinirani ključ i okrenite ga u smjeru kretanja kazaljke na satu i u obrnutom smjeru.



3. Provjerite ima li na rubovima noževa oštećenja i deformacija.
4. Turpijom uklonite neravnine s noževa.

Rješavanje problema

Rješavanje problema

Motor se ne pokreće		
Problem	Mogući uzrok	Preporučeni korak
Zapinjači startera	Zapinjači startera se ne mogu slobodno pomjerati.	Podesite ili zamijenite zapinjače startera.
		Očistite prostor oko zapinjača startera.
		Obratite se zastupniku servisu.

Motor se ne pokreće		
Problem	Mogući uzrok	Preporučeni korak
Rezervoar za gorivo	Neodgovarajuća vrsta goriva.	Ispraznite i koristite odgovarajuće gorivo.
Karburator	Netočna brzina u praznom hodu.	Prilagodite brzinu u praznom hodu.
Nema svjećeice	Svjećica je prljava ili vlažna.	Vodite računa da svjećica bude čista i suha.
	Netočan razmak između elektroda.	Očistite svjećicu. Vodite računa da zazor elektrode bude ispravan. Provjerite da li je na svjećici postavljen potiskivač. Pravilan zazor elektrode potražite u poglavlju <i>Tehnički podaci na strani 398</i> .
Svjećica	Svjećica je labava.	Pritegnite svjećicu.

Motor se pokreće ali se ponovo zaustavlja		
Problem	Mogući uzrok	Preporučeni korak
Rezervoar za gorivo	Neodgovarajuća vrsta goriva.	Ispraznite i koristite odgovarajuće gorivo.
Karburator	Netočna brzina u praznom hodu.	Prilagodite brzinu u praznom hodu. Pogledajte <i>Da biste podesili brzinu u praznom hodu na strani 394</i> . Ako je potrebnom, obratite se zastupniku servisa.
Filter zraka	Začepljen filter za vazduh.	Očistite filter za vazduh.

Nož		
Problem	Mogući uzroci	Preporučeni korak
Nož se okreće sporo ili se ne okreće.	Nož je blokiran ili oštećen.	Očistite noževe od neželjenih materijala. Pogledajte <i>Čišćenje noževa i nanošenje maziva na strani 396</i> . Uklonite neravnine s noževa, pogledajte <i>Pregledavanje noževa na strani 396</i> . Ako je nož oštećen, zamijenite ga.
Nož ne reže normalno.	Nož nije oštar ili je oštećen.	Naoštrite nož, pogledajte <i>Pregledavanje noževa na strani 396</i> . Ako je nož oštećen, zamijenite ga.
Nož se zagrijava.	Dolazi do frikcije između noževa.	Uklonite neravnine s noževa i nanesite mazivo. Pogledajte <i>Pregledavanje noževa na strani 396</i> .

Transport, skladištenje i odbacivanje

Transport i skladištenje

- Obavezno ostavite proizvod da se ohladi prije skladištenja.
- Za skladištenje i transport proizvoda i goriva, vodite računa da nema curenja ili isparavanja. Na primjer, svjećice ili otvoreni plamen iz električnih uređaja ili bojlera mogu izazvati požar.

- Uvijek koristite odobrene posude za skladištenje i transport goriva.
- Prije transporta ili dugotrajnog skladištenja izvadite gorivo. Odbacite gorivo na odgovarajuće mjesto za odlaganje.
- Za vrijeme transporta i skladištenja postavite štitnik za transport.
- Otklonite poklopac svjeće sa svjeće.
- Pričvrstite proizvod za vrijeme transporta. Vodite računa da se ne može pomjerati.
- Prije skladištenja na duže vrijeme očistite i servisirajte proizvod.

Odlaganje

- Pridržavajte se lokalnih zahtjeva i važećih propisa.
- Sve hemikalije, npr. motorno ulje ili gorivo, odložite u servisni centar ili na odgovarajuće mjesto za odlaganje.
- Proizvod odložite na odobrenoj lokaciji za odlaganje ili ga pošaljite kompaniji McCULLOCH radi odlaganja.

Tehnički podaci

Tehnički podaci

Tehnički podaci	SUPERLITE 4528	ERGOLITE 6028
Motor		
Volumen cilindra cm ³	21,7	21,7
Broj obrtaja u praznom hodu, o/min	2800	2800
Preporučena maksimalna brzina, o/min	9000	9000
Maksimalna snaga motora, prema ISO 8893, kW pri o/min	0,6/7800	0,6/7800
Auspuh sa katalizatorom	Da	Da
Sistem paljenja		
Svjećica	HQT-4 672201	HQT-4 672201
Zazor elektroda, mm	0,5	0,5
Gorivo		
Kapacitet rezervoara za gorivo, l	0,3	0,3
Težina		
Težina, kg	4,8	5,0
Emisija buke ⁷⁰		
Nivo jačine zvuka mjeren u dB (A)	100	100
Nivo jačine zvuka, garantirani L _{WA} dB(A)	101	101
Nivoi jačine zvuka ⁷¹		

⁷⁰ Emisije buke u okruženju mjerene kao jačina zvuka (L_{WA}) u skladu s Direktivom EC 2000/14/EZ. Prijavljeni nivo jačine zvuka za proizvod izmjeren je s originalnim reznim dodatkom koji daje najviši nivo. Razlika između garantirane i izmjerene jačine zvuka je u tome da garantirana jačina zvuka obuhvata i disperziju rezultata mjerenja i varijacije između različitih proizvoda istog modela u skladu s Direktivom 2000/14/EZ.

⁷¹ Zabilježeni podaci nivoa pritiska buke posjeduju tipičnu statičku disperziju (standardno odstupanje) od 1 dB(A).

Tehnički podaci	SUPERLITE 4528	ERGOLITE 6028
Ekvivalentni nivo pritiska zvuka na uhu rukovodioca, izmjeren prema standardu EN ISO 10517, dB (A)	93	93
Nivoi vibracija ⁷²		
Ekvivalentni nivoa vibracija ($a_{hv,eq}$) na ručkama, izmjeren prema standardu EN ISO 10517, m/s^2 :		
Prednja/stražnja, mm/s^2	3,5/4,4	4,1/5,2
Noževi		
Tip	Dvostrano	Dvostrano
Dužina rezanja, mm	450	590
Brzina rezanja, rezovi/min	4050	4050

⁷² Objavljeni podatak za nivo vibracija ima tipičnu statističku disperziju (standardno odstupanje) od 1 m/s^2 .

Izjava EK o usklađenosti

Izjava o usklađenosti za EU

Mi, **Husqvarna AB**, SE-561 82 Huskvarna, Švedska,
tel: +46-36-146500, izjavljujemo pod isključivom
odgovornošću kako prikazani proizvod:

Opis	Trimer za živicu
Brend	McCULLOCH
Tip/model	SUPERLITE 4528, ERGOLITE 6028
Identifikacija	Serijski brojevi s datumom od 2022 i nadalje

u potpunosti je u skladu sa sljedećim direktivama i
propisima EU-a:

Propis	Opis
2006/42/EZ	„u vezi s mašinama”
2014/30/EU	„o elektromagnetnoj kompatibilnosti”
2000/14/EC	„koja se odnosi na emisiju buke u okruženju, Dodatak V”
2011/65/EU	„o ograničenju upotrebe određenih opasnih tvari u električnoj i elektronskoj opremi”

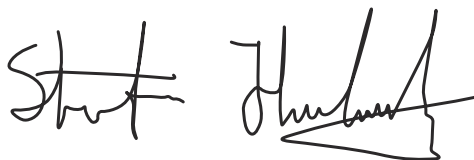
i da se primjenjuju sljedeći standardi i/ili tehničke
specifikacije: EN ISO 12100:2010, EN ISO 10517:2019,
EN IEC 63000:2018, EN ISO 14982:2009.

Ovlašteno tijelo: RISE SMP Svensk Maskinprovning
AB, Box 7035, SE-750 07 Uppsala, Sweden je u ime
kompanije Husqvarna AB izvršio vlastito ispitivanje.

Broj certifikata: SEC/11/2327

Informacije o emisiji buke potražite u odjeljku *Tehnički
podaci na strani 398.*

Huskvarna, 2022-02-15



Stefan Holmberg, Globalni menadžer ručnih alata, Lab
Manager HH Global Services, Husqvarna AB

Odgovoran za tehničku dokumentaciju

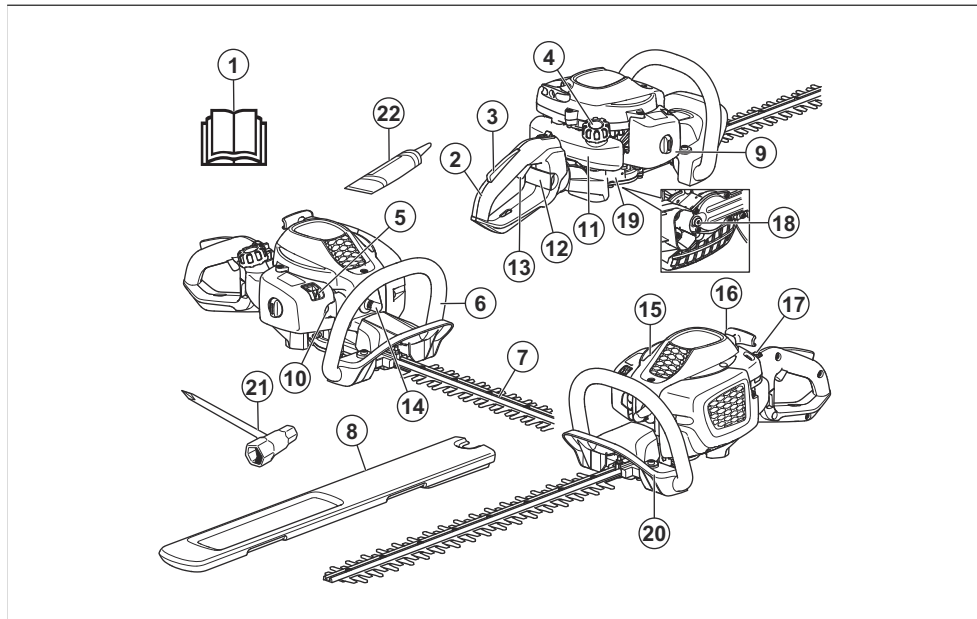


Sadržaj

Uvod.....	401	Rešavanje problema.....	412
Bezbednost.....	402	Transport, skladištenje i odlaganje.....	413
Rukovanje.....	407	Tehnički podaci.....	414
Održavanje.....	409	EZ deklaracija o usaglašenosti.....	416

Uvod

Pregled proizvoda



1. Uputstvo za rukovaoca
2. Zadnja ručka
3. Blokada obarača gasa
4. Poklopac rezervoara za gorivo
5. Kontrola čoka
6. Prednja ručka
7. Režno sečivo i zaštita reznog sečiva
8. Zaštita za transportovanje
9. Poklopac filtera za vazduh
10. Pumpa za vazduh
11. Rezervoar za gorivo
12. Blokada ručke (ErgoLite)
13. Obarač gasa
14. Kapica za svećice i svećica
15. Poklopac cilindra
16. Ručica uzeta startera

17. Prekidač za zaustavljanje
18. Čep otvora za mazivo
19. Kućište menjača
20. Štitnik ruke
21. Kombinovani ključ
22. Mazivo u tubi

Opis proizvoda

Proizvod je trimer za živicu sa SUS motorom.

Namena

Koristite proizvod za sečenje grana i grančica. Nemojte koristiti proizvod za druge zadatke.

Simboli na proizvodu



UPOZORENJE! Ovaj proizvod može biti opasan i prouzrokovati teške povrede ili smrt rukovaoca i drugih osoba. Budite pažljivi i koristite proizvod na pravilan način.



Pre korišćenja pažljivo pročitajte korisničko uputstvo i uverite se da razumete njegov sadržaj.



Koristite odobrenu zaštitu za uši i oči.



Koristite odobrene zaštitne rukavice.



Nosite neklizajuće i čvrste cizme.



Pumpa za vazduh.



Čok.



Blokada podešavanja ručice.



Gorivo.



Emisije buke u okruženje u skladu sa evropskom Direktivom 2000/14/EC i propisom o zaštiti radova u okruženju (kontrola buke) Novog Južnog Velsa iz 2017. Podaci o emisiji su navedeni na nalepnici mašine i u poglavlju Tehnički podaci.



Proizvod je usaglašen sa važećim direktivama EZ.

yyyywwxxxx

Serijski broj naveden je na pločici tipa. **yyyy** je godina proizvodnje, a **ww** je nedelja proizvodnje.

Napomena: Ostali simboli/nalepnice koji su navedeni na proizvodu važe za specifične zahteve sertifikata na određenim tržištima.

Emisije Euro V.



UPOZORENJE: Neovlašćene prepravke motora poništavaju EU tip odobrenja za ovaj proizvod.

Bezbednost

Bezbednosne definicije

Upozorenja, mere opreza i napomene se koriste da ukažu na naročito važne delove korisničkog uputstva.



UPOZORENJE: Koristi se ako, usled nepoštovanja uputstava, postoji rizik od nastanka telesnih povreda ili smrti kod rukovaoca ili prisutnih osoba.



OPREZ: Koristi se ako, usled nepoštovanja uputstava, postoji rizik od nastanka oštećenja na proizvodu, drugim materijalima ili susednim oblastima.

Napomena: Koristi se za pružanje više informacija koje su neophodne u datoj situaciji.

Opšta bezbednosna uputstva



UPOZORENJE: Pročitajte upozoravajuća uputstva koja slede pre korišćenja proizvoda.

- Neispravno ili nepažljivo korišćenje proizvoda može da ga pretvori opasnu alatku koja može da nanese opasne ili čak smrtonosne povrede. Od velike je važnosti da pročitate i shvatite sadržaj ovog uputstva.
- Ovaj proizvod pri radu stvara elektromagnetno polje. Ovo polje u određenim uslovima može da izazove smetnje na aktivnim ili pasivnim medicinskim implantatima. U cilju smanjenja rizika od uslova od nastanka teških ili smrtnih povreda, preporučujemo osobama koje imaju medicinske implante da se pre upotrebe ovog uređaja konsultuju sa lekarom ili proizvođačem implanta.

- Preterano izlaganje vibracijama može da ošteti krvotok ili pak da ošteti nerve kod ljudi koji imaju problema sa krvotokom. Obratite se lekaru ako imate simptome preterane izloženosti vibracijama. Ovi simptomi uključuju utrnulost, gubitak osećaja, trnce, bockanje, bol, gubitak snage, promene u boji ili stanju kože. Simptomi se obično pojavljuju u prstima, rukama i zglobovima. Rizik se može povećati prilikom nižih temperatura.
- Korišćen prigušivač ili hvatač varnica možda sadrže kancerogene čestice nastale sagoravanjem. Izbegavajte izlaganje tim jedinjenjima kad baratate prigušivačem ili hvatačem varnica. Pre rukovanja prigušivačem ili hvatačem varnica pročitajte uputstva u *Da biste proverili prigušivač na stranici 405*.
- Ukoliko dođete u situaciju da se osećate nesigurnim u pogledu dalje upotrebe, treba da se obratite za savet stručnom licu. Obratite se prodavcu ili servisu. Izbegavajte sve upotrebe ako mislite da prevazilaze vaše sposobnosti.
- Imajte u vidu da je rukovalac odgovoran za nezgode nanete drugim osobama i njihovom vlasništvu.
- Nikad ne dozvolite da neko drugi koristi proizvod pre nego što ustanovite da su razumeli sadržaj uputstva za upotrebu.
- Nikad ne dozvolite deci da koriste proizvod ili budu u njegovoj blizini. Kako je proizvod opremljen prekidačem sa oprugom za zaustavljanje, može se pokrenuti pri niskoj brzini i primenjujući relativno malu silu na startnu ručicu, čak i mala deca mogu u određenim situacijama proizvesti silu potrebnu za pokretanje proizvoda. To nosi rizik od teških telesnih povreda. Iz tog razloga uvek uklonite kašiku svećice kada proizvod nije pod strogim nadzorom.
- Proizvod odložite izvan domašaja dece.
- Nikad nemojte koristiti proizvod ako ste umorni, ako ste pili alkohol ili ako uzimate lek koji utiče na vid, rasuđivanje ili koordinaciju.
- Nikad nemojte koristiti proizvod koji je neispravan. Izvršavajte provere, sprovedite postupke održavanja i pridržavajte se uputstva za servisiranje koji su opisani u ovom priručniku. Neke postupke održavanja i servisiranja moraju da izvrše obučeni i kvalifikovani stručnjaci. Pogledajte uputstva u poglavlju „Održavanje“.
- Nikad nemojte koristiti proizvod koji je na bilo koji način modifikovao u odnosu na prvobitnu specifikaciju.
- Vodite računa da nijedna osoba niti životinja ne priđe bliže od 15 metara / 50 stopa mestu na kojem radite.
- Pratite okruženje i uverite se da nema opasnosti da ljudi ili životinje dođu u dodir sa opremom za rezanje.
- Pregledajte radno područje. Uklonite sve predmete koje mašina može da odbaci.
- Uvek osigurajte siguran i stabilan položaj za rad.
- Nikada ne ostavljajte uključeno proizvod bez nadzora.
- Osigurajte da vaše ruke i noge nisu u blizini uređaja za rezanje u toku rada motora.
- Ukoliko se u toku rada nešto zaglavi u sečivima, isključite motor i sačekajte da se potpuno zaustavi pre nego što očistite sečiva. Skinite kapicu sa svećice.
- Nakon zaustavljanja motora, držite ruke i noge dalje od uređaja za rezanje sve dok se potpuno ne zaustavi.
- Vodite računa o komadima grana koje mašina može da odbaci u toku sečenja.
- Uvek budite oprezni u zapažanju signala upozorenja ili povika kada koristite zaštitne slušalice. Uvek skinite zaštitu za sluh čim se motor zaustavi.
- Ne radite sa merdevina, stolica i drugih visokih mesta koja nisu potpuno obezbeđena.
- Uvek držite proizvod sa obe ruke. Držite proizvod ispred sebe.
- Ukoliko udarite u neki strani predmet ili se jave vibracije, smesta zaustavite proizvod. Skinite kapicu sa svećice. Proverite da proizvod nije oštećen. Popravite eventualna oštećenja.
- Proverite da nema oštećenja na kapici svećice i kablju, kako biste izbegli rizik od strujnog udara.
- Proverite da li su sve navrtke i zavrtnji dobro pričvršćeni.
- Uverite se da je menjač dobro podmazan. Pogledajte *Podmazivanje kućišta menjača na stranici 412*.
- Menjač se zagreva tokom upotrebe proizvoda. Da se ne bi opekli, nemojte da dirate menjač.
- Svi poklopci i štitnici moraju biti postavljeni pre početka rada.
- Ako se sečiva zaglave, možete da ih otpustite tako što ćete gurnuti kombinovani ključ u menjač. Gurnite kombinovani ključ među zupčanike i mrdajte ga napred-nazad. Pogledajte *Podmazivanje kućišta menjača na stranici 412*.
- Štitnik za transport trebalo bi da bude pričvršćen na uređaj za rezanje kada god proizvod nije u upotrebi.

Bezbednosna uputstva za rukovanje



UPOZORENJE: Pročitajte upozoravajuća uputstva koja slede pre korišćenja proizvoda.

- Nikad nemojte koristiti proizvod u ekstremnim klimatskim uslovima kao što su žestoka zima ili vrlo topla i/ili vlažna klima.
- Neispravni noževi mogu da povećaju rizik od nesrećnih slučajeva.

Lična zaštitna oprema

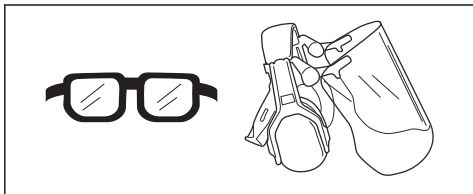


UPOZORENJE: Pročitajte upozoravajuća uputstva koja slede pre korišćenja proizvoda.

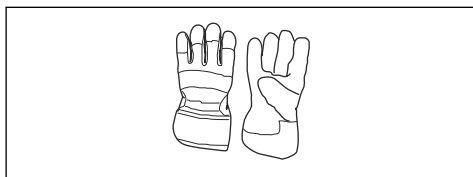
- Uvek koristite odobrenu ličnu zaštitnu opremu kada koristite proizvod. Lična zaštitna oprema ne može da u potpunosti spreči telesnu povredu, ali

ona umanjuje stepen telesne povrede ako dođe do nesrećnog slučaja. Neka vam vaš prodavac pomogne u izboru odgovarajuće opreme.

- Nosite odobrenu zaštitu za uši koja pruža dovoljno smanjenje buke. Dugotrajno izlaganje buci može prouzrokovati trajne povrede sluha.
- Koristite odobrenu zaštitu za oči. Prilikom korišćenja vizira istovremeno se moraju koristiti odobrene zaštitne naočare. Odobrene zaštitne naočare jesu takve koje ispunjavaju standard ANSI Z87.1 u SAD ili EN 166 u zemljama Evropske unije.



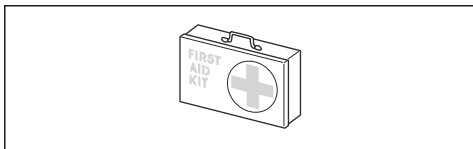
- Nosite rukavice po potrebi, na primer, kada pričvršćujete, pregledate ili čistite opremu za rezanje.



- Nosite čvrste cizme ili cipele koje se ne klizaju.



- Nosite odeću napravljenu od jake tkanine. Uvek nosite debele, dugačke pantalone i dugačke rukave. Nemojte nositi labavu odeću koja može da se zakači o grančice i grane. Nemojte nositi nakit, kratke pantalone, sandale ili ići bosonogi. Sklonite kosu tako da vam bude iznad ramena.
- Držite komplet za prvu pomoć pri ruci.



Bezbednosni uređaji na proizvodu

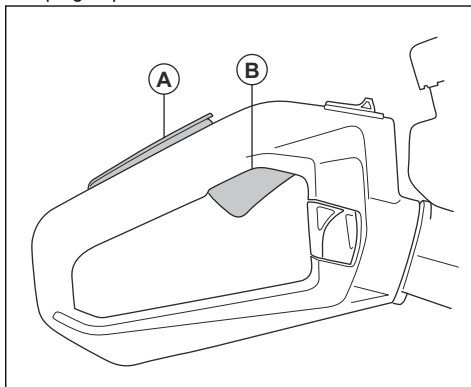


UPOZORENJE: Pročitajte upozoravajuća uputstva koja slede pre korišćenja proizvoda.

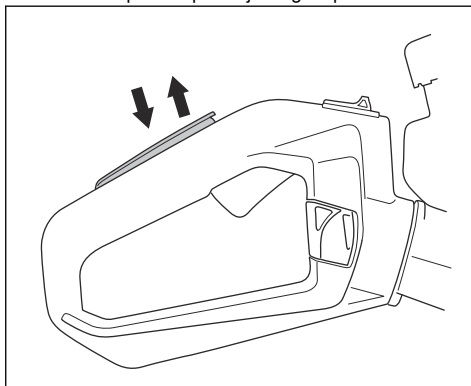
- Nemojte koristiti proizvod na kojem su oštećeni bezbednosni uređaji.
- Redovno proveravajte bezbednosne uređaje. Ako su bezbednosni uređaji neispravni, obratite se svom McCULLOCH servisnom agentu.

Provera zaključavanja obarača gasa

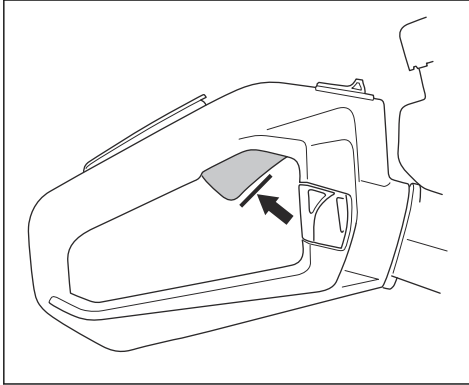
1. Uverite se da se zaključavanje obarača gasa (A) i obarač gasa (B) slobodno pomeraju i da povratna opruga ispravno radi.



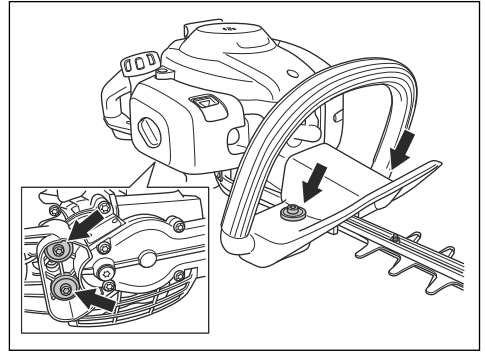
2. Pritisnite zaključavanje obarača gasa i uverite se da se vraća u početni položaj kad ga otpustite.



3. Otpustite zaključavanje obarača gasa i uverite se da je obarač gasa zaključan u položaju brzine praznog hoda.



2. Uverite se da su elementi za prigušivanje vibracija dobro pričvršćeni.



4. Pokrenite motor i dajte pun gas.
5. Otpustite obarač gasa i uverite se da se sečiva zaustavljaju.



UPOZORENJE: Ako se sečiva kreću dok je obarač gasa u praznom hodu, morate da podesite brzinu praznog hoda. Pogledajte *Podešavanje brzine praznog hoda na stranici 410.*

Da biste proverili rad prekidača za zaustavljanje

1. Pokrenite motor.
2. Pomerite prekidač za zaustavljanje u položaj za zaustavljanje i proverite da li se motor zaustavi.



UPOZORENJE: Prekidač za zaustavljanje se automatski vraća u početni položaj. Da biste sprečili slučajno pokretanje, uklonite kapicu svećice sa svećice prilikom sklapanja ili održavanja proizvoda.

Provera štitnika ruke

Štitnik ruke sprečava povrede usled dodirivanja sečiva.

1. Zaustavite motor.
2. Uverite se da je štitnik ruke pravilno postavljen.
3. Pregledajte ima li oštećenja na štitniku ruke.

Da biste proverili sistem prigušenja vibracija

Sistem prigušenja vibracija smanjuje vibracije u ručkama. Jedinice za prigušivanje vibracija razdvajaju telo proizvoda i ručke.

1. Izvršite vizuelni pregled u pogledu deformacija i oštećenja.

Da biste proverili prigušivač



UPOZORENJE: Nemojte koristiti proizvod bez prigušivača ili ako mu je prigušivač oštećen. Oštećen prigušivač je bučniji i povećava opasnost od požara. Nemojte koristiti proizvod bez mrežice hvatača varnica ili ako je ona oštećena. Mrežica hvatača varnica mora biti zamenjena ako je oštećena.



UPOZORENJE: Korišćen prigušivač ili hvatač varnica mogu da sadrže kancerogene čestice nastale sagorevanjem. Nosite zaštitne rukavice i vršite održavanje u dobro prozračenom okruženju da biste izbegli kontakt sa kožom i udisanje kancerogenih čestica. Ne čistite hvatač varnica vazduhom pod pritiskom. Kad čistite hvatač varnica, koristite žičanu četku i četkajte od sebe.



UPOZORENJE: Prigušivači postaju veoma vrući tokom i nakon rada, takođe pri brzini praznog hoda.



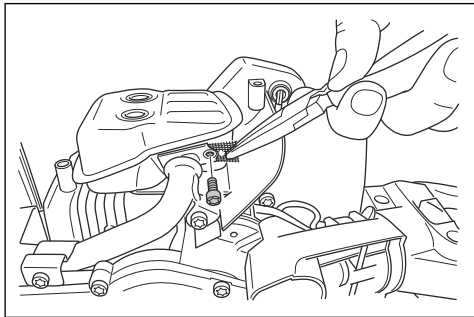
OPREZ: Ako je mrežica hvatača varnica često zapušena, to može biti znak da je smanjen učinak katalizatora. Obratite se servisu radi pregleda prigušivača. Zapušeni hvatač varnica će prouzrokovati pregrevanje i rezultirati oštećenjem cilindra i klipa.



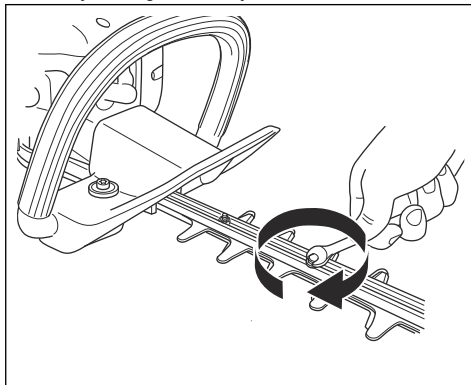
UPOZORENJE: Unutrašnje površine prigušivača sadrže hemikalije koje mogu da izazovu pojavu kancera. Budite pažljivi da ne dodirnete te elemente ako je prigušivač oštećen.

Prigušivač održava nivo buke na minimumu i šalje izduvne gasove od rukovaoca. Prigušivač sa katalizatorom smanjuje štetne izduvne gasove.

1. Zaustavite motor.
2. Izvršite vizuelni pregled u pogledu oštećenja i deformacija.
3. Uverite se da je prigušivač pravilno pričvršćen na proizvod.
4. Očistite mrežicu hvatača varnica žičanom četkom.



5. Uverite se da su postavljeni zavrtnji na uređaju za rezanje. Pritegnite zavrtnje na 7–10 Nm.



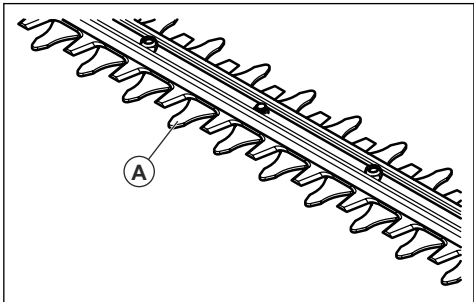
Bezbednost oko goriva



UPOZORENJE: Pročitajte upozoravajuća uputstva koja slede pre korišćenja proizvoda.

Provera reznog sečiva i zaštite reznog sečiva

Spoljašnji deo reznog sečiva (A) služi kao zaštita reznog sečiva. Zaštita reznog sečiva takođe sprečava da rukovalac dođe u kontakt sa sečivom.



1. Zaustavite motor i uverite se da se uređaj za rezanje zaustavio.
2. Skinite kapicu sa svećice.
3. Navucite zaštitne rukavice.
4. Uverite se da režno sečivo i zaštita reznog sečiva nisu oštećeni ili uvijeni. Obavezno zamenite oštećeno ili uvijeno sečivo.

- Nemojte pokretati proizvod ako na njemu postoje tragovi goriva ili motornog ulja. Uklonite neželjeno gorivo/ulje i sačekajte da se proizvod osuši.
- Ako prospete gorivo na odeću, odmah je presvucite.
- Nemojte dozvoliti da gorivo dospe na vaše telo, ono može izazvati telesnu povredu. Ako vam gorivo dospe na telo, uklonite ga vodom i sapunom.
- Nemojte pokretati proizvod ako postoji curenje iz motora. Redovno proveravajte da li postoji curenje iz motora.
- Budite oprezni pri rukovanju gorivom. Gorivo je zapaljivo a isparenja su eksplozivna i mogu izazvati telesne povrede ili smrt.
- Nemojte udisati isparenja goriva, to može izazvati telesnu povredu. Pobrinite se da ima dovoljno protoka vazduha.
- Nemojte pušiti u blizini goriva ili motora.
- Nemojte stavljati vruće predmete blizu goriva ili motora.
- Nemojte dolivati gorivo kada motor radi.
- Uverite se da je motor hladan pre dopunjavanja goriva.
- Pre dopunjavanja goriva, lagano otvorite poklopac rezervoara za gorivo i pažljivo otpustite pritisak.
- Nemojte dolivati gorivo u motor u zatvorenom prostoru. Nedovoljan protok vazduha može izazvati telesnu povredu ili smrt usled gušenja ili prisustva ugljen-monoksida.
- Do kraja zategnite čep rezervoara za gorivo. Ako čep rezervoara za gorivo nije zategnut, postoji opasnost od požara.
- Izmaknite proizvod bar 3 m / 10 stopa od mesta na kojem ste napunili rezervoar pre pokretanja.

- Ne punite rezervoar za gorivo do vrha. Toplota izaziva širenje goriva. Ostavite prazan prostor na vrhu rezervoara za gorivo.

Bezbednosna uputstva za održavanje



UPOZORENJE: Pročitajte upozoravajuća uputstva koja slede pre korišćenja proizvoda.

- Zaustavite motor i uverite se da se oprema za rezanje zaustavila. Neka se proizvod ohladi pre vršenja održavanja.
- Uklonite kapicu sa svećice pre održavanja.
- Izduvni gasovi iz motora sadrže ugljen-monoksid, otrovan i veoma opasan gas bez mirisa koji može da prouzrokuje smrt. Nemojte puštati proizvod u rad u zatvorenim prostorima.

- Izduvni gasovi iz motora su vrući i mogu sadržavati varnice. Nemojte pokretati proizvod u zatvorenom prostoru ili blizu zapaljivih materijala.
- Oprema i izmene na proizvodu koji nisu odobreni od strane proizvođača mogu da izazovu teške telesne povrede ili smrt. Nemojte vršiti izmene na proizvodu. Uvek upotrebljavajte originalnu opremu.
- Ako se održavanje ne vrši na ispravan način i redovno, postoji povećani rizik od telesne povrede i oštećenja proizvoda.
- Vršite održavanje samo na način preporučeni u korisničkom uputstvu. Neka ovlašćeni McCULLOCH servisni agent izvrši sva druga servisiranja.
- Neka ovlašćeni McCULLOCH servisni agent redovno vrši servisiranja proizvoda.
- Zamenite oštećene, pohabane ili pokvarene delove.

Rukovanje

Uvod



UPOZORENJE: Pre korišćenja proizvoda je potrebno da pročitate i razumete poglavlje o bezbednosti.

Gorivo

Ovaj proizvod ima dvotaktni motor.



OPREZ: Neodgovarajući tip goriva može da ošteti motor. Koristite mešavinu benzina i ulja za dvotaktni motor.

Unapred smešano gorivo

- Koristite McCULLOCH unapred smešano alkatno gorivo za najbolje radne karakteristike i produžetak radnog veka motora. To gorivo sadrži manje štetnih hemikalija od običnog goriva i tako smanjuje štetne izduvne gasove. Količina ostataka posle sagorevanja je niža u ovom gorivu, pa komponente motora ostaju čistije.

Mešanje goriva

Benzin

- Koristite kvalitetan bezolovni benzin sa maksimalno 10% etanola.



OPREZ: Nemojte koristiti benzin sa oktanskim brojem manjim od 90 RON / 87 AKI. Korišćenje benzina manjeg oktanskog broja može da izazove štetno detonantno sagorevanje u motoru.

Ulje za dvotaktni motore

- Najbolje rezultate daje McCULLOCH ulje za dvotaktni motore.
- Ako McCULLOCH ulje za dvotaktni motore nije dostupno, koristite drugo ulje za dvotaktni motore dobrog kvaliteta za motore sa vazдушnim hlađenjem. Obratite se dileru za izbor odgovarajućeg ulja.



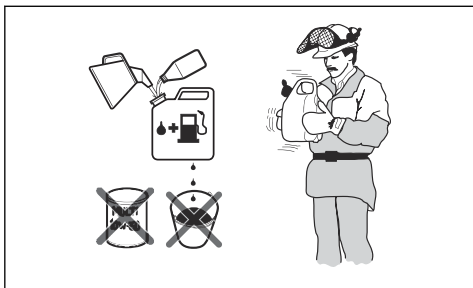
OPREZ: Nemojte koristiti ulje za dvotaktni motore za vanbrodske motore sa vodenim hlađenjem, koje se takođe naziva ulje za vanbrodske motore. Nemojte koristiti ulje za četvorotaktni motore.

Pravljenje mešavine benzina i ulja za dvotaktni motore

Benzin, litara	Ulje za dvotaktni motore, litara
	2% (50:1)
5	0,10
10	0,20
15	0,30
20	0,40



OPREZ: Male greške mogu znatno da utiču na odnos u mešavini kad mešate male količine goriva. Pažljivo izmerite količinu ulja koja će se koristiti za mešavinu da biste dobili tačan odnos u mešavini.



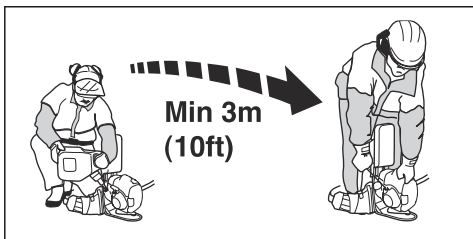
1. Dospite pola količine goriva u čist sud za gorivo.
2. Dodajte punu količinu ulja.
3. Promešajte mešavinu goriva.
4. Dodajte preostalu količinu goriva u sud za gorivo.
5. Pažljivo promešajte mešavinu goriva.



OPREZ: Ne pravite mešavinu za duže od 1 mesec unapred.

Punjenje rezervoara za gorivo

1. Obrisite deo oko čepa rezervoara za gorivo.
2. Promućkajte kantu i uverite se da se gorivo u potpunosti izmešalo. Uvek koristite kantu za gorivo sa ventilom protiv prosipanja.
3. Uklonite poklopac rezervoara za gorivo.
4. Napunite rezervoar za gorivo.
5. Pažljivo zategnite čep rezervoara za gorivo.
6. Pomerite proizvod 3 m (10 stopa) ili dalje od mesta iz izvora dolivanja goriva pre pokretanja.

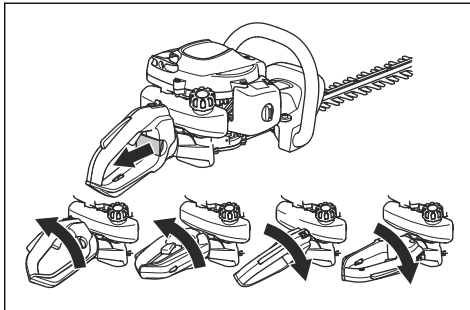


OPREZ: Zagađenje u rezervoarima za gorivo dovodi do neispravnosti u radu. Redovno očistite rezervoar za gorivo i rezervoar za ulje lanca i zamenite filter za gorivo jednom godišnje ili češće.

Podešavanje ručke (ERGOLITE 6028)

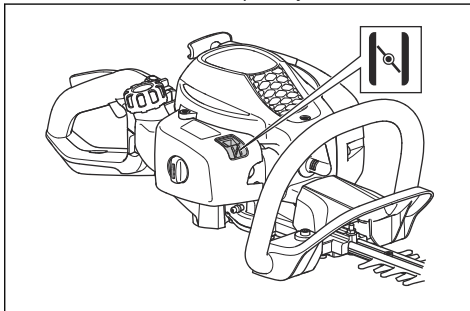
Zadnja ručka se može podesiti u 5 položaja.

- Otpustite bravu ručke i okrenite ručku.



Pokretanje proizvoda kada je motor hladan

1. Povucite kontrolu čoka u položaj čoka.



2. Pritiskajte pumpicu za vazduh približno 6 puta ili dok ne počne da se puni gorivom. Nije potrebno da se pumpa za vazduh potpuno napuni.
3. Držite proizvod na tlu levom rukom. Nemojte stajati na proizvod.
4. Desnom rukom lagano povucite ručicu užeta startera dok ne osetite određeni otpor, a zatim brzo i snažno povucite ručicu užeta startera.



UPOZORENJE: Ne namotavajte užu startera na ruku.



OPREZ: Ne izvlačite užu startera do kraja i ne puštajte ručicu užeta startera.

5. Nastavite da vučete ručicu užeta startera dok se motor ne pokrene, zatim pomerite kontrolu čoka u prvobitan položaj.



UPOZORENJE: Sečiva se pomeraju kada se motor pokrene.

6. Nastavite da povlačite ručicu užeta startera sve dok se motor ne pokrene.

7. Pritisnite i otpustite obarač gasa da biste podesili motor na brzinu praznog hoda.
8. Postepeno pritiskajte obarač gasa da biste povećali brzinu motora.
9. Postarajte se da motor ujednačeno radi.

Pokretanje proizvoda kada je motor topao

1. Držite proizvod na tlu levom rukom. Nemojte stajati na proizvod.
2. Desnom rukom lagano povucite ručicu užeta startera dok ne osetite određeni otpor, a zatim brzo i snažno povucite ručicu užeta startera. Ponavljajte dok se motor ne pokrene.

Napomena: Više informacija o pokretanju proizvoda potražite u odeljku *Pokretanje proizvoda kada je motor hladan na stranici 408.*

Zaustavljanje proizvoda

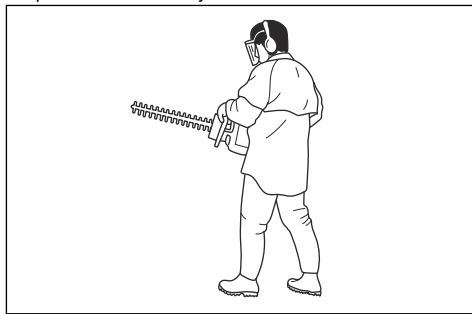
- Pomerite prekidač za zaustavljanje u položaj za zaustavljanje kako biste zaustavili motor.



OPREZ: Prekidač za zaustavljanje se automatski vraća u početni položaj.

Rad sa proizvodom

1. Počnite blizu zemlje i pomerajte proizvod nagore uz živicu kada orezujete sa strane. Uverite se da telo proizvoda ne dodiruje živicu.



UPOZORENJE: Uverite se da prednji deo opreme za rezanje ne dodiruje tlo.

2. Podesite brzinu u skladu sa radnim opterećenjem.
3. Držite proizvod blizu tela da biste osigurali stabilan položaj za rad.
4. Budite pažljivi i koristite proizvod polako.

Održavanje

Uvod



UPOZORENJE: Pre održavanja proizvoda je potrebno da pročitate i razumete poglavlje o bezbednosti.

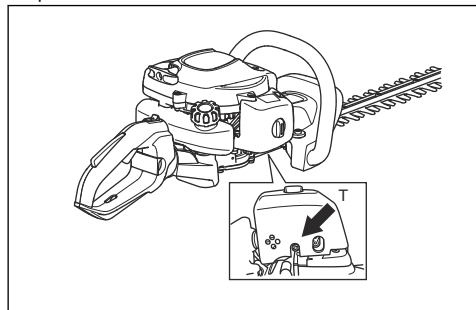
Šema održavanja

Održavanje	Pre rada	Posle 40 sati	Posle 100 sati
Očistite spoljnu površinu.		Uvek posle rada.	
Očistite prigušivač, izduvnu cev i motor od lišća, prljavštine i neželjenog maziva.		Uvek posle rada.	
Uverite se da se uređaj za rezanje ne pomera pri brzini praznog hoda.	X		
Izvršite proveru prekidača za zaustavljanje. Pogledajte <i>Da biste proverili rad prekidača za zaustavljanje na stranici 405.</i>	X		
Pregledajte da li na uređaju za rezanje ima oštećenja i naprslina. Zamenite ako je potrebno.	X		
Pregledajte da li na štitniku ruke ima oštećenja i naprslina. Zamenite ako je potrebno.	X		
Izvršite proveru blokade obarača gasa i obarača gasa. Pogledajte <i>Provera za ključavanje obarača gasa na stranici 404.</i>	X		
Pregledajte motor, rezervoar za gorivo i vodove za gorivo u pogledu curenja.	X		

Održavanje	Pre rada	Posle 40 sati	Posle 100 sati
Pritegnite navrtke i zavrtnje.	X		
Očistite ili zamenite mrežicu hvatača varnica na prigušivaču. Pogledajte <i>Da biste proverili prigušivač na stranici 405.</i>		X	
Pregledajte starter i uže startera u pogledu oštećenja.		X	
Proverite da li su zavrtnji koji spajaju sečiva ispravno pritegnuti.		X	
Očistite filter za vazduh. Čišćenje obavljajte češće ako se proizvod koristi u prašnjavim oblastima. Zamenite ako je potrebno.		X	
Pregledajte jedinice sistema prigušenja vibracija u pogledu oštećenja i naprsina. Zamenite ako je potrebno.		X	
Očistite spoljnu površinu svećice i prostor oko nje. Uklonite kapicu svećice i izmerite zazor elektroda. Podesite zazor elektroda ili zamenite svećicu. Pogledajte <i>Pregled svećice na stranici 411.</i>		X	
Očistite sistem za hlađenje.		X	
Očistite spoljnu površinu karburatora i prostor oko njega.		X	
Proverite da li je filter za gorivo zaprljan. Takođe pregledajte crevo za dovod goriva u pogledu naprsina i drugih oštećenja. Zamenite ako je potrebno.			X
Očistite mrežicu hvatača varnica na prigušivaču i zamenite je ako je oštećena.			X
Očistite unutrašnju površinu rezervoara za gorivo.			X
Zamenite svećicu.			X
Proverite da li ima habanja na kvačilu, opruzi kvačila i bubnju kvačila. Obratite se ovlašćenom serviseru ako je potrebna zamena zbog oštećenja.			X
Uverite se da je kućište menjača napunjeno mazivom do vrha.			X
Proverite sve kablove i konektore.			X

Podešavanje brzine praznog hoda

- Očistite filter za vazduh i postavite poklopac filtera za vazduh.
- Pokrenite proizvod. Pogledajte *Pokretanje proizvoda kada je motor hladan na stranici 408.*
- Okrećite zavrtnj za podešavanje T u smeru kazaljke na satu sve dok jedinica za rezanje ne počne da se pomera.



- Okrećite zavrtnj za podešavanje praznog hoda suprotno kretanju kazaljke na satu sve dok se jedinica za rezanje ne zaustavi.

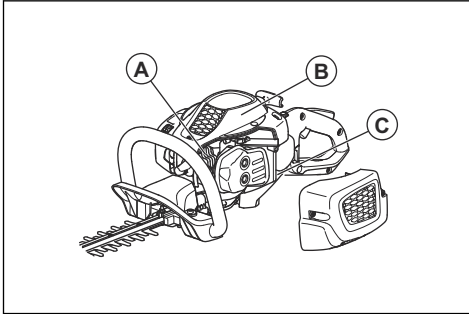


UPOZORENJE: Ako se jedinica za rezanje ne zaustavi kada podesite brzinu praznog hoda, obratite se najbližem servisu. Nemojte koristiti proizvod pre nego što je ispravno podešen ili popravljen.

Napomena: Brzina praznog hoda je ispravna kada motor ravnomerno radi u svim položajima. Pogledajte *Tehnički podaci na stranici 414* za preporučene brzine praznog hoda.

Čišćenje sistema za hlađenje

Rashladni sistem spušta temperaturu motora. Rashladni sistem uključuje peraja za hlađenje na cilindru (A), poklopac cilindra (B) i ulaz za vazduh kroz karter (C).



OPREZ: Lišće lako može da blokira ulaz za vazduh između rezervoara za gorivo i kartera. Temeljno očistite ulaz za vazduh.

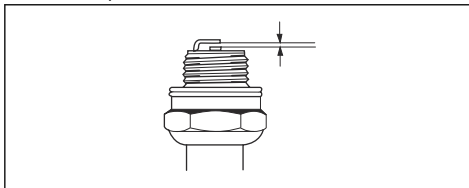
1. Čistite sistem za hlađenje četkom nedeljno ili češće ako je potrebno.
2. Uverite se da rashladni sistem nije prljav ili zapušen.

Pregled svećice



OPREZ: Uvek koristite preporučeni tip svećice. Neodgovarajući tip svećice može da ošteti proizvod.

- Pregledajte svećicu ako je snaga motora mala, ako se teško pokreće ili nepravilno radi u praznom hodu.
- Da biste smanjili rizik od nakupljanja neželjenog materijala na elektrodama svećice, poštujujte sledeća uputstva:
 - a) Uverite se da je broj obrtaja na praznom hodu pravilno podešen.
 - b) Uverite se da je mešavina dobro napravljena.
 - c) Uverite se da je filter za vazduh čist.
- Ako je svećica prljava, očistite je i ujedno proverite da li je razmak između elektroda tačan, pogledajte *Tehnički podaci na stranici 414*.

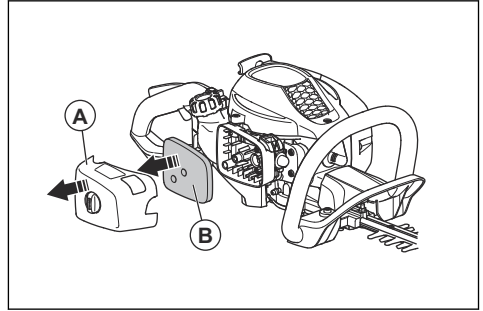


- Zamenite svećicu ako je potrebno.

Čišćenje filtera za vazduh

Redovno čistite filter za vazduh od prljavštine i prašine. Time se sprečavaju kvarovi karburatora, problemi pri pokretanju, gubitak snage motora, habanje delova motora i veća potrošnja goriva nego što je normalno.

1. Uklonite poklopac filtera za vazduh (A).



2. Uklonite filter za vazduh (B) iz kućišta filtera.
3. Očistite filter za vazduh toplom sapunjavom vodom.



OPREZ: Dugo korišćen filter za vazduh ne može da se potpuno očisti. Redovno menjajte filter za vazduh i uvek zamenite neispravan filter za vazduh.

4. Uverite se da je filter za vazduh suv.
5. Nanesite ulje na filter za vazduh. Pogledajte *Nanošenje ulja na penasti filter za vazduh na stranici 411*.
6. Očistite unutrašnju površinu poklopca filtera. Koristite komprimovani vazduh ili četku.

Nanošenje ulja na penasti filter za vazduh



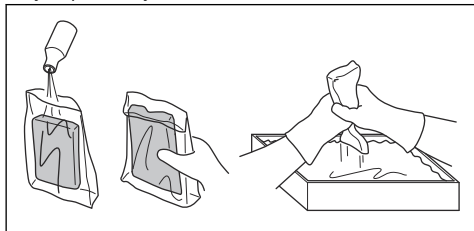
OPREZ: Obavezno koristite McCULLOCH specijalno ulje za filter za vazduh. Nemojte koristiti druge tipove ulja.



UPOZORENJE: Navucite zaštitne rukavice. Ulje za filter za vazduh može izazvati iritaciju kože.

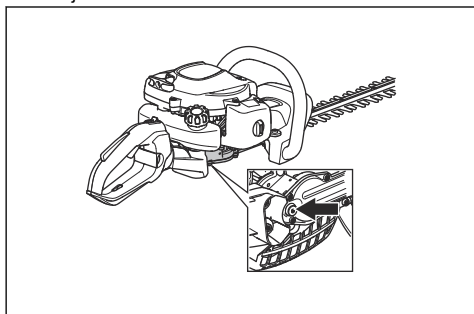
1. Stavite penasti filter za vazduh u plastičnu kesicu.
2. Stavite ulje u plastičnu kesicu.
3. Pritisnite plastičnu kesicu kako biste osigurali da se ulje ravnomerno raspodeli preko penastog filtera za vazduh.

4. Istisnite višak ulja iz penastog filtera za vazduh dok je u plastičnoj kesici.



Podmazivanje kućišta menjača

- Koristite McCULLOCH specijalnu mast. Obratite se serviseru za više informacija o preporučenom mazivu.
- Dodajte mazivo kroz otvor za mazivo na kućištu menjača.



OPREZ: Nemojte potpuno napuniti kućište menjača.

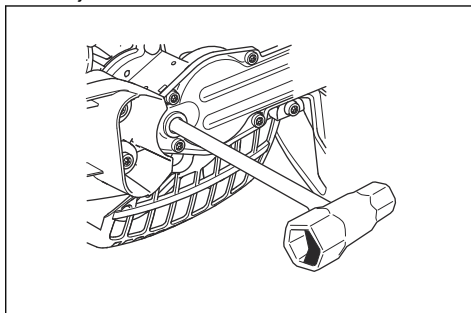
Čišćenje i podmazivanje sečiva

1. Očistite sečiva od neželjenog materijala pre i nakon upotrebe proizvoda.
2. Podmažite sečiva pre dugog perioda skladištenja.

Napomena: Obratite se serviseru za više informacija o preporučenim sredstvima za čišćenje i mazivima.

Pregled noževa

1. Uklonite čep otvora za mazivo na kućištu menjača.
2. Proverite da li se rezna sečiva nesmetano pomeraju. Ubacite kombinovani ključ u kućište menjača i okrećite u smeru kazaljke na satu i suprotno kretanju kazaljke na satu.



3. Pregledajte da li na ivicama sečiva ima oštećenja i deformacija.
4. Pomoću turpije uklonite neravnine na sečivima.

Rešavanje problema

Rešavanje problema

Motor ne može da se pokrene		
Problem	Mogući uzrok	Preporučeni korak
Startne kopče	Startne kopče ne mogu da se slobodno kreću.	Podesite ili zamenite startne kopče startera.
		Očistite oko startnih kopči.
		Obratite se ovlašćenom servisnom centru.
Rezervoar za gorivo	Neispravan tip goriva.	Ispraznite rezervoar i koristite ispravno gorivo.
Karburator	Nepravilna brzina praznog hoda.	Korigujte brzinu praznog hoda.

Motor ne može da se pokrene		
Problem	Mogući uzrok	Preporučeni korak
Nema varnice	Svećica je zaprljana ili vlažna.	Postarajte se da svećica bude suva i čista.
	Nepravilan zazor elektroda.	Očistite svećicu. Postarajte se da zazor elektroda svećice bude pravilan. Postarajte se da svećica ima prigušivač. Tačan zazor elektroda pogledajte u poglavlju <i>Tehnički podaci na stranici 414.</i>
Svećica	Svećica je labava.	Zategnite svećicu.

Motor se pokreće, ali se opet zaustavlja		
Problem	Mogući uzrok	Preporučeni korak
Rezervoar za gorivo	Neispravan tip goriva.	Ispraznite rezervoar i koristite ispravno gorivo.
Karburator	Nepravilna brzina praznog hoda.	Korigujte brzinu praznog hoda. Pogledajte <i>Podešavanje brzine praznog hoda na stranici 410.</i> Obratite se serviseru ako je potrebno.
Filter za vazduh	Filter za vazduh je zapušten.	Očistite filter za vazduh.

Sečivo		
Problem	Mogući uzroci	Preporučeni korak
Sečivo se pomera polako ili se ne pomera.	Sečivo je blokirano ili oštećeno.	Očistite sečiva od neželjenog materijala. Pogledajte <i>Čišćenje i podmazivanje sečiva na stranici 412.</i> Uklonite neravnine sa sečiva, pogledajte <i>Pregled noževa na stranici 412.</i> Zamenite sečivo ako je oštećeno.
Sečivo teško seče.	Sečivo nije oštro ili je oštećeno.	Naoštrite sečivo, pogledajte <i>Pregled noževa na stranici 412.</i> Zamenite sečivo ako je oštećeno.
Sečivo se greje.	Postoji trenje između sečiva.	Uklonite neravnine sa sečiva i podmažite ga. Pogledajte <i>Pregled noževa na stranici 412.</i>

Transport, skladištenje i odlaganje

Transport i skladištenje

- Uvek sačekajte da se proizvod ohladi pre nego što ga uskladištite.
- Uverite se da pri skladištenju i transportu proizvoda i goriva nema isparavanja i curenja iz proizvoda. Varnice i otvoren plamen, na primer iz električnih uređaja i bojlera, može da zapali požar.
- Uvek koristite odobrene kanistere za čuvanje i transport goriva.
- Ispraznite rezervoar za gorivo pre transporta ili dugotrajnog skladištenja. Gorivo odbacujte na odgovarajućoj lokaciji za odbacivanje.
- Pričvrstite zaštitu za transportovanje tokom transporta i skladištenja.
- Skinite kapicu sa svećice.

- Pričvrstite proizvod tokom transporta. Uverite se da proizvod ne može da se pomera.
 - Očistite i servisirajte proizvod pre dugotrajnog skladištenja.
 - Sve hemikalije, kao što su, na primer, motorno ulje ili gorivo, odbacujte u servisnom centru ili na odgovarajućem mestu za odbacivanje.
 - Odložite proizvod na odobrenom mestu za odbacivanje ili ga pošaljite kompaniji McCULLOCH za odbacivanje.
- Odlaganje**
- Pratite lokalne zahteve i primenljive propise.

Tehnički podaci

Tehnički podaci

Tehnički podaci	SUPERLITE 4528	ERGOLITE 6028
Motor		
Zapremina cilindra, cm ³	21,7	21,7
Brzina praznog hoda, o/min	2800	2800
Preporučena maksimalna brzina, o/min	9000	9000
Maks. snaga motora prema ISO 8893, kW na o/min	0,6/7800	0,6/7800
Prigušivač sa katalizatorom	Da	Da
Sistem paljenja		
Svećica	HQT-4 672201	HQT-4 672201
Zazor elektroda, mm	0,5	0,5
Gorivo		
Kapacitet rezervoara za gorivo, l	0,3	0,3
Težina		
Težina, kg	4,8	5,0
Emisija buke ⁷³		
Nivo zvučne snage, mereno dB (A)	100	100
Nivo zvučne snage, garantovano L _{WA} dB (A)	101	101
Nivoi zvuka ⁷⁴		
Ekvivalent nivoa pritiska zvuka na uho rukovaoca, mereno prema standardu EN ISO 10517, dB(A)	93	93
Nivoi vibracije ⁷⁵		
Ekvivalentni nivoi vibracija (a _{h_v,eq}) na ručkama, mereni u skladu sa EN ISO 10517, m/s ² :		

⁷³ Emisije buke u životnoj sredini merene kao zvučna snaga (L_{WA}) u skladu sa direktivom 2000/14/EZ. Izveštajni nivo zvučne snage za proizvod meren je sa originalnim priključkom za košenje koji daje najviši nivo. Razlika između garantovanog i izmerenog nivoa zvučne snage je da garantovana zvučna snaga takođe obuhvata raspršenje rezultata merenja i razlike između različitih proizvoda istog modela u skladu sa Direktivom 2000/14/EZ.

⁷⁴ Prijavljeni podaci za nivo zvučnog pritiska imaju tipičnu statističku disperziju (standardna devijacija) od 1 dB (A).

⁷⁵ Podaci o nivou vibracije imaju tipičnu statističku disperziju (standardnu devijaciju) od 1 m/s².

Tehnički podaci	SUPERLITE 4528	ERGOLITE 6028
Napred/nazad, mm/s ²	3,5/4,4	4,1/5,2
Noževi		
Tip	Dvostrani	Dvostrani
Dužina rezanja, mm	450	590
Brzina rezanja, rezovi/min	4050	4050

EZ deklaracija o usaglašenosti

EU Deklaracija o usaglašenosti

Mi, **Husqvarna AB**, SE-561 82 Huskvarna, Švedska, tel: +46-36-146500, izjavljujemo pod punom odgovornošću da je proizvod:

Opis	Trimer za živu ogradu
Marka	McCULLOCH
Tip/model	SUPERLITE 4528, ERGOLITE 6028
Identifikacija	Serijski brojevi od 2022 i nadalje

su u potpunosti usaglašeni sa sledećim EU direktivama i propisima:

Propis	Opis
2006/42/EC	„koji se odnose na mašine“
2014/30/EU	„koji se odnose na elektromagnetsku kompatibilnost“
2000/14/EC	„koji se odnose na emisiju buke u okruženju, dodatak V“
2011/65/EU	„koji se odnose na ograničenje upotrebe određenih opasnih supstanci u električnoj i elek-tronskoj opremi“

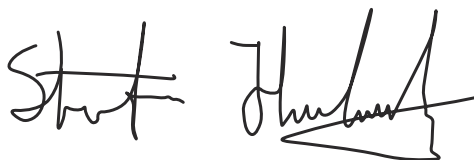
i da su sledeći standardi i/ili tehničke specifikacije primenjeni: EN ISO 12100:2010, EN ISO 10517:2019, EN IEC 63000:2018, EN ISO 14982:2009.

Ovlašćeno telo: RISE SMP Svensk Maskinprovning AB, Box 7035, SE-750 07 Uppsala, Sweden je izvršio volonterski pregled u ime kompanije Husqvarna AB.

Broj sertifikata: SEC/11/2327

Za informacije o emisiji buke pogledajte *Tehnički podaci na stranici 414*.

Huskvarna, 2022-02-15



Stefan Holmberg, globalni rukovodilac odseka za ručne uređaje, globalni rukovodilac laboratorije uslužnog odseka za ručne uređaje, Husqvarna AB

Odgovoran za tehničku dokumentaciju

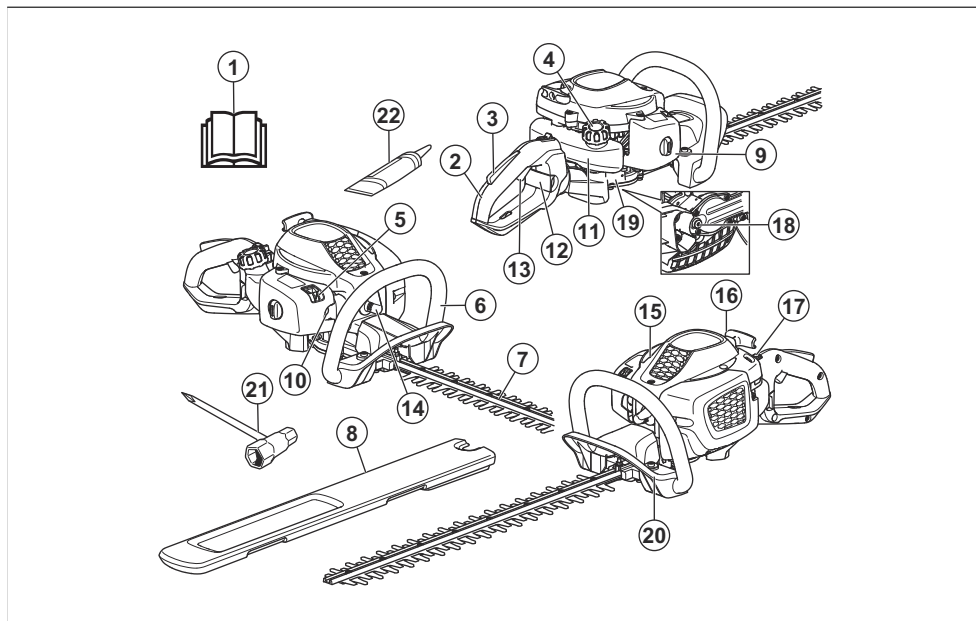


VSEBINA

Uvod.....	417	Odpravljanje težav.....	428
Varnost.....	418	Transport skladiščenje in odstranitev.....	429
Delovanje.....	423	Tehnični podatki.....	430
Vzdrževanje.....	425	Izjava ES o skladnosti.....	432

Uvod

Pregled izdelka



1. Navodila za uporabo
2. Zadnji ročaj
3. Zaklep ročice plina
4. Pokrovček rezervoarja za gorivo
5. Ročica čoka
6. Sprednja ročica
7. Rezilo in ščitnik rezila
8. Transportna zaščita
9. Pokrov zračnega filtra
10. Membrana črpalke goriva
11. Rezervoar za gorivo
12. Zaklep ročice (ErgoLite)
13. Ročica plina
14. Kapica svečke in svečka
15. Pokrov valja
16. Ročica zaganjalne vrvice
17. Stikalo za izklop
18. Pokrovček polnilne odprtine za mazivo
19. Ohišje menjalnika
20. Ščitnik roke
21. Kombiniran ključ
22. Tuba masti

Opis izdelka

Izdelek je model obrezovalnika žive meje z motorjem z notranjim zgorevanjem.

Namen uporabe

Izdelek uporabljajte za obrezovanje vej in vejic. Izdelka ne uporabljajte za druga opravila.

Znaki na izdelku



OPOZORILO! Ta izdelek je lahko nevaren in lahko povzroči hude poškodbe oziroma smrt upravljavca ali drugih. Bodite previdni in uporabljajte izdelek pravilno.



Pred začetkom uporabe izdelka natančno preberite navodila za uporabo in se prepričajte, da ste jih razumeli.



Uporabljajte odobreno zaščito za sluh in odobreno zaščito oči.



Uporabljajte odobrene zaščitne rokavice.



Uporabljajte trpežno obutev, ki ne drsi.



Membrana črpalke goriva.



Čok.



Zaklenite za nastavitve ročice.



Gorivo.



Nivo emisije hrupa v okolje je skladen z Evropsko direktivo 2000/14/ES in zakonodajo Novega južnega Walesa, in sicer z direktivo "Zaščita okolja pri delu (nadzor hrupa) iz 2017". Podatke o emisijah hrupa najdete na oznaki stroja in v poglavju Tehnični podatki.



Izdelek je skladen z veljavnimi direktivami ES.

yyyywwxxxx

Na tipski ploščici je navedena serijska številka. **yyyy** pomeni leto proizvodnje, **ww** pa označuje teden proizvodnje.

Opomba: Ostali simboli in oznake na izdelku se nanašajo na zahteve za certifikacijo, ki veljajo za nekatere trge.

Stopnja emisij Euro V



OPOZORILO: Zaradi predelave motorja se razveljavi EU-homologacija tega izdelka.

Varnost

Varnostne definicije

Opozorila, svarila in opombe opozarjajo na posebej pomembne dele priročnika.



OPOZORILO: Se uporabi, če obstaja nevarnost telesne poškodbe ali smrti uporabnika ali opazovalcev ob neupoštevanju navodil v tem priročniku.



POZOR: Se uporabi, če obstaja nevarnost poškodbe izdelka, drugih materialov ali okolice ob neupoštevanju navodil v tem priročniku.

Opomba: Se uporabi za podajanje podrobnejših informacij, potrebnih v dani situaciji.

Splošna varnostna navodila



OPOZORILO: Pred uporabo izdelka preberite navodila v povezavi z opozorili v nadaljevanju.

- Pri nepravilni ali malomarni uporabi izdelek postane nevarno orodje, ki lahko povzroči resne ali celo smrtno poškodbe. Zato je zelo pomembno, da natančno preberete in razumete navodila za uporabo.
- Izdelek med delovanjem ustvarja elektromagnetno polje. To polje lahko v nekaterih pogojih interferira z aktivnimi ali pasivnimi medicinskimi vsadki. Da bi zmanjšali nevarnost, ki bi lahko povzročila telesne poškodbe ali smrt, priporočamo, da se osebe z medicinskimi vsadki pred uporabo izdelka posvetujejo s svojim zdravnikom in proizvajalcem vsadka.
- Pri ljudeh, ki imajo težave s krvnim obtokom, lahko pretirana izpostavljenost tresljajem povzroči

- poškodbe ožilja ali živčevja. Če opazite znamenja pretirane izpostavljenosti treslajem, se posvetujte z zdravnikom. Ti simptomi zajemajo otrplost, izgubo občutenja, ščemenje, zbadanje, bolečino, zmanjšano moč in spremembo barve ali stanja kože. Običajno se pojavijo v prstih, na rokah ali na zapestjih. Nevarnost je večja ob delu pri nizkih temperaturah.
- Rabljen dušilnik in lovilnik isker lahko vsebujeta rakotvorne delce zgorevanja. Pri rokovanju z dušilnikom ali lovilnikom isker pazite, da ne pride do izpostavljenosti tem spojinam. Pred uporabo dušilnika ali lovilnika isker preberite navodila v poglavju *Preverjanje dušilnika na strani 421*.
 - V primerih, ko niste povsem prepričani v nadaljevanje postopka, se posvetujte s strokovnjakom. Posvetujte se z vašim prodajalcem ali servisno službo. Izogibajte se situacijam, ki se vam zdijo prezahtevne.
 - Ne pozabite, da je uporabnik odgovoren za nesreče ali nevarnosti, ki jih povzroči drugim ljudem ali njihovi lastnini.
 - Izdelka ne dovolite uporabljati nikomur, dokler se ne prepričate, da je razumel vsebino navodil za uporabo.
 - Otrokom nikoli ne dovolite, da uporabljajo izdelek ali da so zgolj v njegovi bližini. Ker je izdelek opremljen z vzmetnim stikalom za zaustavitev, ga lahko že z majhno hitrostjo in silo vključite, kar pomeni, da lahko tudi majhni otroci v določenih okoliščinah zaženejo izdelek. To lahko pomeni tveganje resne osebne poškodbe. Zato odstranite kapico svečke, ko izdelka ne morete nadzorovati.
 - Izdelke shranjujte izven dosega otrok.
 - Izdelka ne uporabljajte, če ste utrujeni, pod vplivom alkohola ali jemljete zdravila, ki lahko vplivajo na vid, presojo ali koordinacijo.
 - Ne uporabljajte pokvarjenega izdelka. Sledite navodilom za pregled, vzdrževanje in servis v skladu z napotki v teh navodilih. Nekatere vrste vzdrževalnih del in popravil lahko opravi samo za to usposobljeno strokovno osebo. Upoštevajte navodila v poglavju Vzdrževanje.
 - Nikoli ne uporabljajte izdelka, katerega prvotne specifikacije so bile na kakršen koli način spremenjene.
 - Opazujte okolico in se prepričajte, da ne obstaja nevarnost, da nobena oseba ali žival ne more priti v stik z rezalno opremo.
 - Preglejte delovno območje. Odstranite vse predmete, ki jih lahko izvrže.
 - Vedno morate imeti varen in stabilen položaj za delo.
 - Stroja nikoli ne pustite brez nadzora pri delujočem motorju.
 - Med delovanjem motorja vaše roke in noge ne smejo priti v bližino rezalne enote.
 - Če med delovanjem pride do ukleščenja med rezili, izklopite motor ter pred čiščenjem rezil počakajte, da se motor povsem zaustavi. Pokrov svečke odklopite s svečke.
 - Ko je motor izključen, odmaknite roke in noge iz bližine rezalne enote, dokler se motor povsem ne zaustavi.
 - Pazite na kose in veje, ki jih lahko naprava izvrže med obrezovanjem.
 - Kadar uporabljate zaščito za sluh, bodite pozorni na svarilne znake in klice. Zaščito za sluh odstranite takoj, ko se motor zaustavi.
 - Orodja ne uporabljajte z lestve, stola ali drugega dvignjenega položaja, ki ni povsem varen.
 - Izdelek vedno držite z obema rokama. Izdelek držite pred telesom.
 - Če zadenete ob predmet ali se pojavijo treslaji, izdelek nemudoma zaustavite. Pokrov svečke odklopite s svečke. Prepričajte se, da izdelek ni poškodovan. Popravite poškodbe.
 - Za preprečevanje nevarnosti električnega udara se prepričajte, da pokrovček svečke in vžigalni kabel nista poškodovana.
 - Preverite ali so vsi vijaki in matice zatesnjeni.
 - Preverite, če je menjalnik pravilno namazan. Glejte *Mazanje ohišje menjalnika na strani 428*.
 - Med uporabo izdelka se menjalnik močno segreje. Da se ne bi opekli, se menjalnika ne dotikajte.
 - Pred zagonom morate namestiti vse pokrove in ščitnike.
 - Če se rezila zablokirajo, jih lahko sprostite tako, da v menjalnik vstavite kombiniran ključ. Kombiniran ključ vstavite v menjalnik in ga obračajte naprej in nazaj. Glejte *Mazanje ohišje menjalnika na strani 428*.
 - Ko izdelka ne uporabljate, morate rezalno enoto zaščititi s transportno zaščito.

Varnostna navodila za uporabo



OPOZORILO: Pred uporabo izdelka preberite navodila v povezavi z opozorili v nadaljevanju.

- Izdelka nikoli ne uporabljajte v izrednih vremenskih pogojih, kot so izredno mrzli, izredno vroči in/ali vlažni pogoji.
- Pokvarjena rezila lahko povečajo nevarnost nesreč.
- V premeru 15 metrov/50 čevljev od delovnega mesta ne sme biti ljudi ali živali.

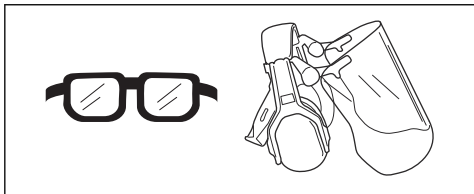
Osebna zaščitna oprema



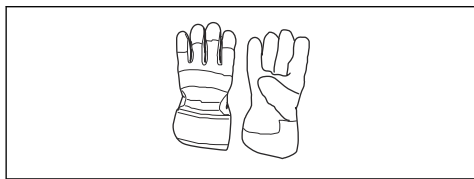
OPOZORILO: Pred uporabo izdelka preberite navodila v povezavi z opozorili v nadaljevanju.

- Pri uporabi izdelka vedno uporabljajte odobreno osebno zaščitno opremo. Osebna zaščitna oprema ne more popolnoma preprečiti poškodb, vendar v primeru nesreče omili posledice. Prodajalec naj vam pomaga izbrati ustrezno opremo.

- Nosite homologirano zaščito za sluh, ki ustrezno zmanjšuje hrup. Dolgotrajna izpostavljenost hrupu lahko povzroči trajne okvare sluha.
- Uporabljajte odobreno zaščito oči. Tudi če uporabljate vizir, morate vedno uporabljati tudi homologirana zaščitna očala. Homologirana zaščitna očala morajo biti skladna s standardom ANSI Z87.1 za ZDA ali s standardom EN 166 za države EU.



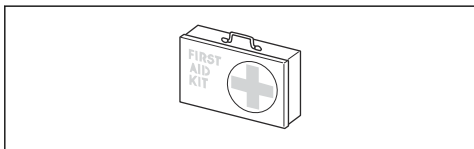
- Po potrebi uporabite rokavice, npr. kadar pritrjujete, pregledujete ali čistite rezalno opremo.



- Uporabite vzdržljive škornje ali cevlje, ki ne drsijo.



- Uporabljajte oblačila iz trpežnih materialov. Vedno uporabljajte trpežne dolge hlače in dolge rokave. Ne uporabljajte ohlapnih oblačil, ki se lahko zataknejo za vejice ali veje. Ne nosite nakita, kratkih hlač in sandalov in ne hodite bos. Lase si varno spnite nad rameni.
- Paket prve pomoči hranite na doseg roke.



Varnostne naprave na izdelku

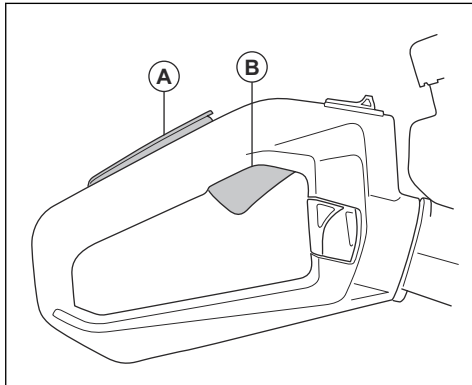


OPOZORILO: Pred uporabo izdelka preberite navodila v povezavi z opozorili v nadaljevanju.

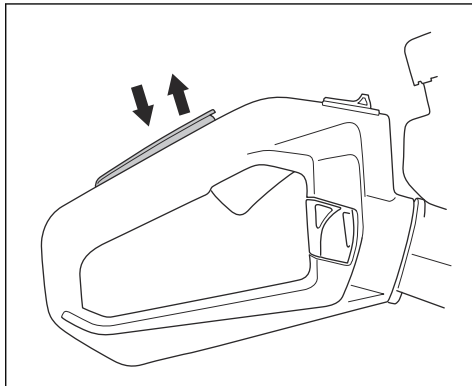
- Ne uporabljajte izdelka s poškodovanimi varnostnimi napravami.
- Redno preverjajte varnostne naprave. Če so varnostne naprave poškodovane, se obrnite na pooblaščen servisno delavnico McCULLOCH.

Preverjanje delovanja zaklepa ročice plina

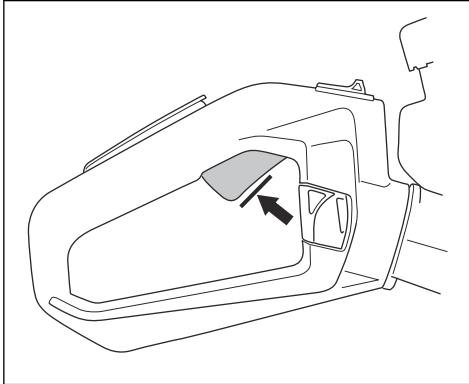
1. Prepričajte se, da se zaklep ročica plina (A) in ročica plina (B) premikata neovirano ter da povratna vzmet deluje pravilno.



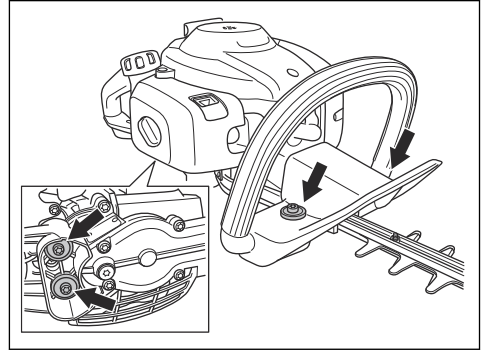
2. Potisnite zaklep ročice plina navzdol in se prepričajte, da se vrne v začetni položaj, ko ga sprostite.



3. Sprostite zaklep ročice plina in preverite, ali je ročica plina zaklenjena v položaju prostega teka.



2. Prepričajte se, da so elementi za blaženje treslajev pravilno pritrjeni.



4. Zaženite motor in pritisnite polni plin.
5. Sprostite ročico plina in se prepričajte, da se rezilo popolnoma ustavi.



OPOZORILO: Če se rezilo premika, ko je ročica plina v položaju prostega teka, je treba nastaviti prosti tek. Glejte razdelek *Prilagajanje hitrosti prostega teka na strani 426*.

Preverjanje izklopnega stikala

1. Zagon motorja.
2. Izklopno stikalo potisnite v položaj za izklop in se prepričajte, da se je motor izklopil.



OPOZORILO: Stikalo za izklop se samodejno vrne v položaj za zagon. Pri sestavljanju ali vzdrževanju izdelka za preprečevanje neželenega zagona odstranite pokrov s svečke.

Preverjanje ščitnika roke

Ščitnik roke preprečuje poškodbe zaradi rezili.

1. Izklopite motor.
2. Prepričajte se, da je ščitnik roke pravilno nameščen.
3. Preglejte, ali je ščitnik rok poškodovan.

Preverjanje sistema za dušenje treslajev

Sistem za dušenje treslajev zmanjša treslajve ročajev. Elementi za blaženje treslajev delujejo kot pregrada med ohišjem izdelka in ročajem.

1. Vizualno preverite, da ni prisotnih deformacij in poškodb.

Preverjanje dušilnika



OPOZORILO: Izdelka ne uporabljajte brez dušilnika ali s poškodovanim dušilnikom. Poškodovan dušilnik lahko zviša raven hrupa in poveča nevarnost požara. Izdelka ne uporabljajte brez ali s poškodovanim lovilnikom isker. Poškodovan lovilnik isker je treba zamenjati.



OPOZORILO: Rabljen dušilnik in lovilnik isker lahko vsebujeta rakotvorne delce zgorevanja. Uporabljajte zaščitne rokavice in izvajajte vzdrževalna dela v dobro prezračevanem okolju, da preprečite stik s kožo in vdihavanje rakotvornih delcev. Za čiščenje lovilnika isker ne uporabljajte zraka pod tlakom. Pri čiščenju lovilnika isker uporabite žičnato ščetko in krtačite stran od telesa.



OPOZORILO: Dušilniki med in po delovanju postanejo zelo vroči, tudi pri hitrosti prostega teka.



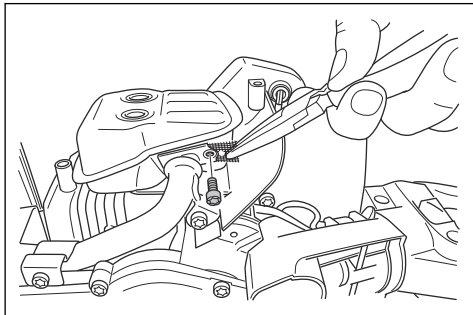
POZOR: Če je lovilnik isker pogosto zamašen, je to lahko znak, da je delovanje katalizatorja poslabšano. Dušilnik naj pregleda servisni zastopnik. Zamašena mrežica lovilnika isker povzroča pregrevanje, kar povzroči poškodbe valja in bata.



OPOZORILO: Notranje površine dušilnika vsebujejo kemikalije, ki lahko povzročajo raka. Pazite, da se ne dotikate teh elementov, če je dušilnik poškodovan.

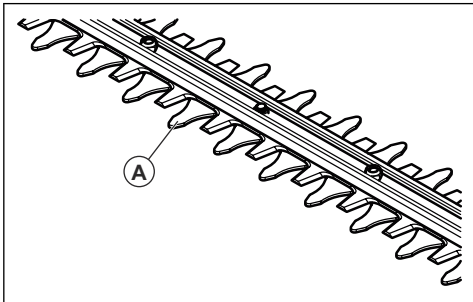
Dušilnik zmanjšuje raven hrupa na najnižjo možno raven in usmerja izpušne pline stran od uporabnika. Dušilnik s katalizatorjem zmanjšuje škodljive izpušne pline.

1. Izklopite motor.
2. Vizualno preverite, da ni prisotnih poškodb in deformacij.
3. Poskrbite, da je dušilnik pravilno nameščen na izdelek.
4. Lovilnik isker očistite z žično ščetko.



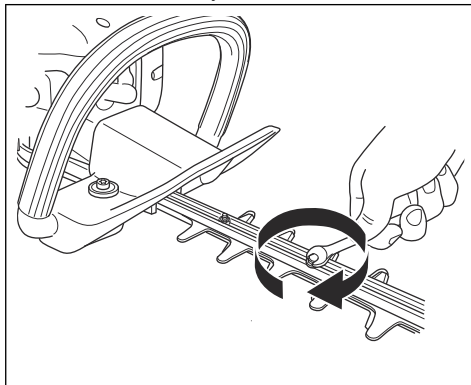
Preglejte rezilo in ščitnik rezila

Zunanji deli rezil (A) delujejo kot ščitniki rezila. Ščitnik rezila istočasno preprečuje, da bi se uporabnik nenamerno dotaknil rezil.



1. Zaustavite stroj in se prepričajte, da se je rezalna enota ustavila.
2. Pokrov svečke odstranite s svečke.
3. Nadenite si zaščitne rokavice.
4. Prepričajte se, da rezilo in ščitnik rezila nista poškodovana ali ukrivljena. Vedno zamenjajte poškodovano ali ukrivljeno rezilo.

5. Prepričajte se, da so vijaki na rezalni enoti pritrjeni. Zatezni moment za vijake mora biti med 7 in 10 Nm.



Varnost pri delu z gorivom



OPOZORILO: Pred uporabo izdelka preberite navodila v povezavi z opozorili v nadaljevanju.

- Če so na izdelku ostanki goriva ali motornega olja, izdelka ne zaganjajte. Očistite ostanke goriva/olja in počakajte, da se izdelek posuši.
- Če se z gorivom polijete po obleki, se nemudoma preoblecite.
- Pazite, da goriva ne polijete po telesu, saj lahko pride do poškodb. Če gorivo polijete po telesu, se očistite z milom in vodo.
- Če motor pušča, izdelka ne zaganjajte. Redno preverjajte, ali motor pušča.
- Z gorivom ravnajte previdno. Gorivo je vnetljivo, hlapi pa so eksplozivni, zato lahko pride do poškodb ali smrti.
- Ne vdihavajte hlapov goriva, saj lahko pride do poškodb. Zagotovite zadosten pretok zraka.
- V bližini goriva ali motorja ne kadite.
- Vročih predmetov ne postavljajte v bližino goriva ali motorja.
- Goriva ne dolivajte, ko je motor vklopljen.
- Pred dolivanjem goriva se prepričajte, da je motor ohlajen.
- Pred dolivanjem počasi odprite pokrovček posode za gorivo in previdno sprostite pritisk.
- Goriva ne dolivajte v zaprtih prostorih. Nezadosten pretok zraka lahko povzroči poškodbe ali smrt zaradi zadušitve ali zastrupitve z ogljikovim monoksidom.
- Skrbno privijte pokrovček posode za gorivo. Če pokrovček posode za gorivo ni dobro zatesnjen, obstaja nevarnost požara.
- Preden izdelek vklopite, ga premaknite najmanj 3 m/10 čevljev stran od mesta, kjer ste napolnili posodo za gorivo.

- Rezervoar za gorivo ne napolnite do konca. Gorivo se razširi zaradi vročine. Pustite prazen prostor na vrhu rezervoarja za gorivo.

Varnostna navodila za vzdrževanje



OPOZORILO: Pred uporabo izdelka preberite navodila v povezavi z opozorili v nadaljevanju.

- Zaustavite stroj in se prepričajte, da se je rezalna oprema ustavila. Pred izvajanjem vzdrževalnih del se mora izdelek ohladiti.
- Pred vzdrževalnimi deli odklopite pokrov svečke.
- Izpušni plini iz motorja vsebujejo ogljikov monoksid, strupen in zelo nevaren plin brez vonja, ki lahko povzroči smrt. Izdelka ne zaganjajte v zaprtih prostorih.

- Izpušni plini iz motorja so vroči in lahko vsebujejo iskre. Izdelka nikoli ne zaganjajte v zaprtih prostorih ali v bližini vnetljivih materialov.
- Dodatki in spremembe izdelka, ki niso odobrene s strani proizvajalca, lahko vodijo k resnim poškodbam ali celo v smrt. Ne spreminjajte izdelka. Uporabljajte samo originalno dodatno opremo.
- Če izdelka ne vzdržujete pravilno in redno, se poveča nevarnost poškodb za osebe in izdelek.
- Vzdrževanje opravite v skladu s priporočili v teh navodilih za uporabo. Vsakršno drugačno vzdrževanje naj opravi McCULLOCH osebje pooblašene servisne delavnice.
- Redno dovolite osebju pooblašene servisne delavnice McCULLOCH izvajati vzdrževalna dela.
- Zamenjajte poškodovane, obrabljene ali zlomljene dele.

Delovanje

Uvod



OPOZORILO: Preden začnete uporabljati izdelek, morate prebrati in razumeti poglavje o varnosti.

Gorivo

Ta izdelek ima dvotaktni motor.



POZOR: Če uporabite neustrezno vrsto goriva, lahko poškodujete motor. Uporabite mešanico bencina in olja za dvotaktne motorje.

Predhodno zmešano gorivo

- Za najboljše delovanje in daljšo življenjsko dobo motorja uporabljajte vnaprej pripravljeno mešanico goriva z alkilatom McCULLOCH. V gorivu je manj škodljivih kemikalij v primerjavi z običajnim gorivom, kar zmanjšuje količino škodljivih izpušnih plinov. Po zgorevanju tega goriva je količina ostankov manjša, zaradi česar so deli motorja čistejši.

Mešanje goriva

Bencin

- Uporabljajte kakovosten neosvinčen bencin z največ 10-% vsebnostjo etanola.



POZOR: Ne uporabljajte bencina, ki ima oktansko število nižje od 90 RON/87 AKI. Uporaba nižjega oktanskega števila lahko povzroči klenkanje, kar povzroča poškodbe motorja.

Olje za dvotaktne motorje

- Za čim boljše rezultate in zmogljivost uporabite olje za dvotaktne motorje McCULLOCH.
- Če olje za dvotaktne motorje McCULLOCH ni na voljo, lahko uporabite kakovostno olje za dvotaktne motorje z zračnim hlajenjem. Za izbiro ustreznega olja se obrnite na servisnega zastopnika.



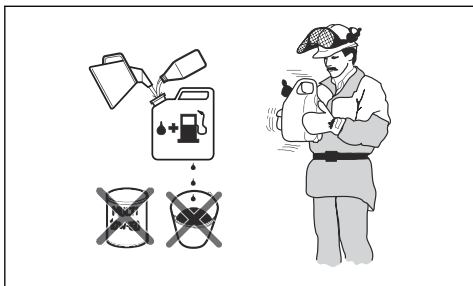
POZOR: Ne uporabljajte olja za vodno hlajene izvenkrmne dvotaktne motorje. Ne uporabljajte olja za širitaktno motorje.

Mešanica bencina in olja za dvotaktne motorje

Bencin, liter	Olje za dvo-taktne motorje, liter
	2 % (50 : 1)
5	0,10
10	0,20
15	0,30
20	0,40



POZOR: Pri mešanju manjših količin goriva lahko manjša odstopanja močnejše vplivajo na razmerje mešanice. Natančno izmerite količino olja in tako ustvarite pravilno mešanico.



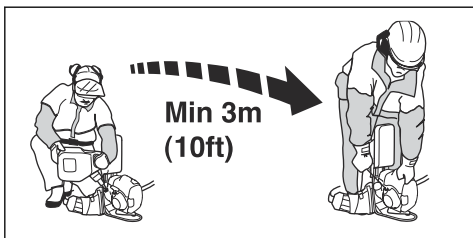
1. Dolijte polovico bencina v čisto posodo za gorivo.
2. Dodajte celotno količino olja.
3. Pretresite mešanico goriva.
4. V posodo dodajte še preostalo količino bencina.
5. Temeljito pretresite mešanico goriva.



POZOR: Naenkrat ne pripravite mešanice goriva za več kot en mesec.

Polnjenje posode za gorivo

1. Očistite področje okrog pokrova posode za gorivo.
2. Pretresite posodo in tako poskrbite za ustrezno mešanje goriva. Uporabljajte posodo za gorivo z ventilom proti izlivanju.
3. Odstranite pokrovček posode za gorivo.
4. Napolnite posodo za gorivo.
5. Zategnite pokrovček posode za gorivo.
6. Pred zagonom izdelek vsaj za 3 m (10 čevljev) premaknite s kraja, na katerem ste ga polnili z gorivom, in stran od vira goriva.

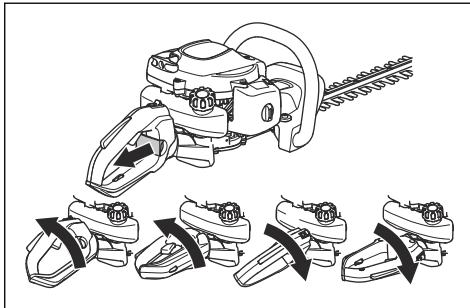


POZOR: Umazana posoda za gorivo povzroča motnje pri delovanju. Redno čistite posodo za gorivo in verigo in vsaj enkrat letno zamenjajte filter za gorivo.

Nastavitev ročaja (ERGOLITE 6028)

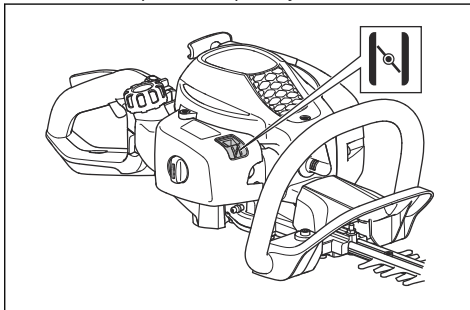
Zadnji ročaja je mogoče nastaviti v 5 položaje.

- Sprostite zaklep ročice in jo obrnite.



Zagon izdelka s hladnim motorjem

1. Ročico čoka povlecite v položaj za čok.



2. Približno 6-krat pritisnite membrano črpalke goriva, dokler se membrana ne začne polniti z gorivom. Membrane črpalke za gorivo ni treba povsem napolniti.
3. Z levo roko pritisnite ohišje izdelka ob tla. Ne stopajte na izdelek.
4. Počasi z desno roko povlecite ročico zaganjalne vrvice, dokler ne začutite nekoliko upora, nato ročico zaganjalne vrvice hitro in močno povlecite.



OPOZORILO: Zaganjalne vrvice ne navijajte okoli svoje roke.



POZOR: Zaganjalne vrvice nikoli ne izvlecite do konca in ne izpustite ročice zaganjalne vrvice.

5. Ročico zaganjalne vrvi vlecite dokler motorja ne zaženete, nato pa ročico čoka potisnite v izhodiščni položaj.



OPOZORILO: Ob zagonu motorja se rezilo vrti.

6. Ročico zaganjalne vrvi vlecite, dokler ne zaženete motorja.

7. Pritisnite in sprostite ročico plina za preklon motorja v prosti tek.
8. Ročico plina postopoma pritiskajte, da povečate število vrtljajev motorja.
9. Prepričajte se, da motor gladko deluje.

Zagon izdelka s toplim motorjem

1. Z levo roko pritisnite ohišje izdelka ob tla. Ne stopajte na izdelek.
2. Počasi z desno roko povlecite ročico zaganjalne vrvice, dokler ne začutite nekoliko upora, nato ročico zaganjalne vrvice hitro in močno povlecite. Ponavljajte, dokler ne zaženete motorja.

Opomba: Za dodatne informacije o načinu zagona motorja glejte *Zagon izdelka s hladnim motorjem na strani 424*.

Izklop izdelka

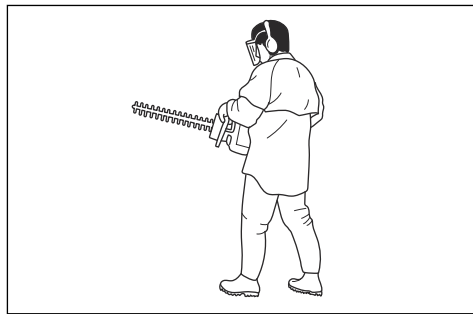
- Motor izklopite tako, da stikalo za zaustavitev premaknete v položaj za zaustavitev.



POZOR: Stikalo za izklop se samodejno vrne v delovni položaj.

Uporaba izdelka

1. Ko obrezujete strani žive meje, začnite pri tleh in izdelek premikajte navzgor. Pazite, da se s telesom izdelka ne dotaknete obrezovalnika.



OPOZORILO: Pazite, da se s sprednjim delom rezalne opreme ne dotaknete tal.

2. Nastavite hitrost, ki bo ustrezala zahtevnosti dela.
3. Za stabilni delovni položaj izdelek držite ob telesu.
4. Bodite previdni in delajte počasi z izdelkom.

Vzdrževanje

Uvod



OPOZORILO: Pred izvajanjem vzdrževalnih del na izdelku morate prebrati in razumeti poglavje o varnosti.

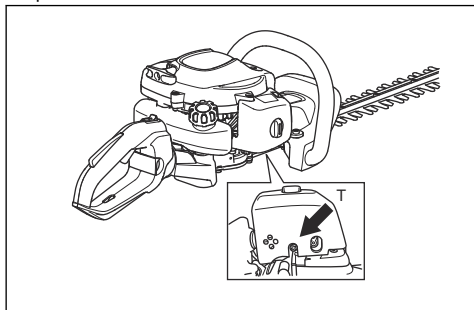
Urnik vzdrževanja

Vzdrževanje	Pred uporabo	Po 40 urah	Po 100 urah
Očistite zunanjo površino.		Po vsaki uporabi.	
Očistite listje, umazanijo in neželeno mazivo iz dušilnika, izpušne cevi in motorja.		Po vsaki uporabi.	
Prepričajte se, da se rezalna enota v prostem teku ne premika.	X		
Preverite izklopno stikalo. Glejte razdelek <i>Preverjanje izklopnega stikala na strani 421</i> .	X		
Preverite, ali je rezalna enota poškodovana ali razpokana. V primeru poškodb, zamenjajte.	X		
Preverite, ali je ščitnik rok poškodovan ali razpokan. V primeru poškodb, zamenjajte.	X		
Preverite zaklep ročice plina in ročico plina. Glejte razdelek <i>Preverjanje delovanja zaklepa ročice plina na strani 420</i> .	X		
Preglejte, ali iz motorja, posode ali cevi za gorivo izteka gorivo.	X		

Vzdrževanje	Pred uporabo	Po 40 urah	Po 100 urah
Privijte matice in vijake.	X		
Očistite ali zamenjajte mrežico lovilnika isker na dušilniku. Glejte razdelek <i>Preverjanje dušilnika na strani 421</i> .		X	
Preverite, ali sta zaganjalnik in zaganjalna vrstica poškodovana.		X	
Preverite, ali sta vijaka, s katerima sta pritrjeni rezili, pravilno zategnjena.		X	
Očistite zračni filter. Čistite pogosteje, če uporabljate v prašnih območjih. V primeru poškodb, zamenjajte.		X	
Preverite, ali so elementi za blaženje treslajev poškodovani ali razpokani. V primeru poškodb, zamenjajte.		X	
Očistite zunanjo površino vžigalne svečke in njeno okolico. Odstranite svečko in izmerite razmak med elektrodama. Nastavite razmak med elektrodama ali pa zamenjajte svečko. Glejte razdelek <i>Pregled svečke na strani 427</i> .		X	
Očistite hladilni sistem.		X	
Očistite zunanjo površino uplinjalnika in območje okrog njega.		X	
Preverite, ali je filter goriva onesnažen ter ali ima cev goriva razpoke ali druge okvare. V primeru poškodb, zamenjajte.			X
Očistite mrežico lovilnika isker na dušilniku, ali jo v primeru poškodb zamenjajte.			X
Očistite notranje površine rezervoarja za gorivo.			X
Zamenjajte svečko.			X
Preverite, ali so sklopka, vzmet sklopke in boben sklopke obrabljeni. V primeru poškodb mora dele zamenjati pooblaščen serviser.			X
Prepričajte se, da je ohišje menjalnika napolnjeno z mastjo.			X
Preverite vse kable in priključke.			X

Prilaganje hitrosti prostega teka

- Očistite zračni filter in namestite pokrov zračnega filtra.
- Zaženite izdelek. Glejte razdelek *Zagon izdelka s hladnim motorjem na strani 424*.
- Nastavitveni vijak T obračajte v smeri vrtenja urinih kazalcev, dokler se rezalna enota ne začne premikati.



- Nastavitveni vijak obračajte v nasprotni smeri vrtenja urinih kazalcev, dokler se rezalna enota ne ustavi.



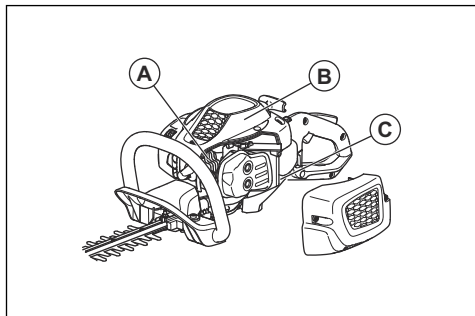
OPOZORILO: Če se rezalna enota po nastavitvi hitrosti v prostem teku ne zaustavi, se obrnite na najbližjega servisnega zastopnika. Izdelka ne uporabljajte, dokler ni pravilno nastavljen ali popravljen.

Opomba: Hitrost prostega teka je nastavljena pravilno, ko motor deluje enakomerno v vsakem položaju. Za priporočeno hitrost v prostem teku glejte *Tehnični podatki na strani 430*.

Čiščenje hladilnega sistema

Hladilni sistem ohranja nizko temperaturo motorja. Hladilni sistem sestavljajo hladilna rebrca na valju (A),

pokrov valja (B) in odprtina za dovod zraka v okrovu ročične gredi (C).



POZOR: Listje lahko hitro zamaši odprtino za dovod zraka med posodo za gorivo in okrovom ročične gredi. Odprtino za dovod zraka očistite v celoti.

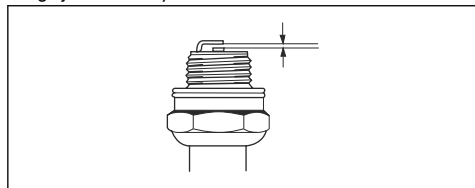
1. Hladilni sistem očistite s krtačo enkrat tedensko ali po potrebi pogosteje.
2. Prepričajte se, da hladilni sistem ni umazan ali zamašen.

Pregled svečke



POZOR: Vedno uporabljajte priporočeno vrsto svečke. Zaradi neustrezne vrste vžigalne svečke se izdelek lahko poškoduje.

- Če se moč motorja zmanjša, motorja ni mogoče enostavno zagnati ali ta ne deluje ustrezno v prostem teku, preglejte vžigalno svečko.
- Tveganje za pojav oblog na elektrodah vžigalne svečke lahko zmanjšate tako, da upoštevate ta navodila:
 - a) Hitrost prostega teka mora biti pravilno nastavljena.
 - b) Mešanica goriva mora biti ustrezna.
 - c) Zračni filter mora biti čist.
- Če je vžigalna svečka umazana, jo očistite in zagotovite, da je razmak med elektrodama ustrezen; glejte *Tehnični podatki na strani 430*.

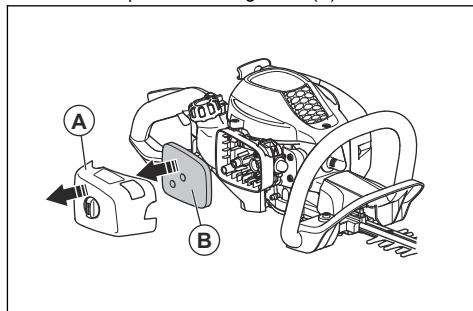


- Vžigalno svečko po potrebi zamenjajte.

Čiščenje zračnega filtra

Z zračnega filtra redno odstranjujete umazanijo in prah. S tem preprečite okvare uplinjača, težave pri zagonu, izgubo moči motorja, obrabo delov motorja in večjo porabo goriva od običajne.

1. Odstranite pokrov zračnega filtra (A).



2. Z okvirja za filter odstranite zračni filter (B).
3. Zračni filter očistite s toplo milnico.



POZOR: Zračni filter, ki ga uporabljate dolgo, ne morete popolnoma sčistiti. Redno menjajte zračni filter in vedno zamenjajte poškodovan zračni filter.

4. Zračni filter mora biti suh.
5. Na zračni filter nanesite olje. Glejte razdelek *Nanašanje olja na penasti zračni filter na strani 427*.
6. Očistite notranjo površino pokrova zračnega filtra. Uporabite stisnjen zrak ali krtačko.

Nanašanje olja na penasti zračni filter



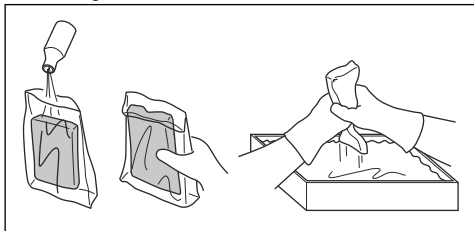
POZOR: Vedno uporabite posebno olje za zračne filtre McCULLOCH. Ne uporabljajte drugih vrst olja.



OPOZORILO: Nadenite si zaščitne rokavice. Olje za zračne filtre lahko draži kožo.

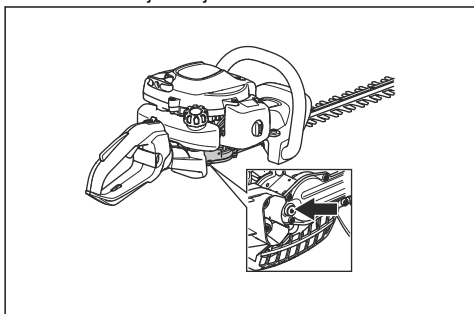
1. Penasti zračni filter vstavite v plastično vrečko.
2. V plastično vrečko vlijte olje.
3. Z drgnjenjem plastične vrečke olje enakomerno razporedite po celotnem penastem zračnem filtru.

4. Odvečno olje v plastični vrečki potisnite iz penastega zračnega filtra.



Mazanje ohišje menjalnika

- Uporabite posebno mast McCULLOCH. Če potrebujete več informacij o priporočeni masti, se obrnite na servisnega zastopnika.
- Mast dodajajte skozi pokrovček polnilne odprtine za mazivo v ohišju menjalnika.



POZOR: Ohišja menjalnika ne napolnite do konca.

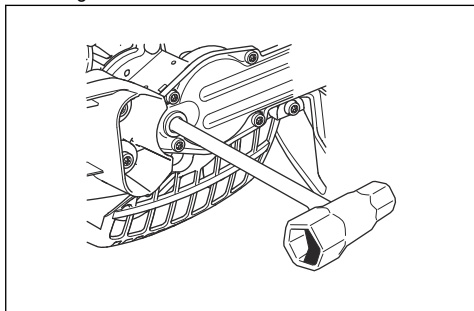
Čiščenje in mazanje rezila

1. Odstranite neželene materiale z rezila pred in po uporabi izdelka.
2. Pred daljšim skladiščenjem rezila namažite.

Opomba: Če potrebujete več informacij o priporočenih čistil in mazivih, se obrnite na servisnega zastopnika.

Pregledovanje rezil

1. Odstranite pokrovček polnilne odprtine za mazivo na ohišju menjalnika.
2. Prepričajte se, da se rezila nemoteno vrtijo. Kombiniran ključ vstavite v ohišje menjalnika ter ga obrnite v smeri urinega kazalca in v nasprotni smeri urinega kazalca.



3. Preglejte, ali so robovi rezila poškodovani in deformirani.
4. S pilo odstranite ostanke z rezila.

Odpravljanje težav

Odpravljanje težav

Motorja ni mogoče zagnati		
Težava	Možen vzrok	Priporočen korak
Zaskočke zaganjalnika	Zaskočne kljukice zaganjalnika se ne morejo prosto premikati.	Prilagodite ali nastavite zaskočne kljukice zaganjalnika.
		Očistite okolico zaskočnih kljukic.
		Obrnite se na pooblaščenega servisnega zastopnika.
Posoda za gorivo	Neppravilna vrsta goriva.	Izpraznite in uporabite pravo gorivo.
Uplinjač	Napačen prosti tek.	Nastavite prosti tek.

Motorja ni mogoče zagnati		
Težava	Možen vzrok	Priporočen korak
Ni iskre	Svečka je umazana ali mokra.	Poskrbite, da je svečka suha in čista.
	Napačen razmak elektrode.	Očistite svečko. Razmak elektrode svečke mora biti pravilen. Na svečki mora biti nameščena zaščitna kapica. Ustrezen razmak med elektrodama si oglejte v poglavju <i>Tehnični podatki na strani 430.</i>
Svečka	Svečka ni čvrsto nameščena.	Zategnite svečko.

Motor se zažene, vendar se ponovno zaustavi		
Težava	Možen vzrok	Priporočen korak
Posoda za gorivo	Nepravilna vrsta goriva.	Izpraznite in uporabite pravo gorivo.
Uplinjač	Napačen prosti tek.	Nastavite prosti tek. Glejte razdelek <i>Prilagajanje hitrosti prostega teka na strani 426.</i> Po potrebi se obrnite na servisnega zastopnika.
Zračni filter	Zamašen zračni filter.	Očistite zračni filter.

Rezilo		
Težava	Možni vzroki	Priporočen korak
Rezilo se premika počasi, ali se sploh ne premika.	Rezilo je blokirano ali poškodovano.	Z rezila odstranite neželene materiale. Glejte razdelek <i>Čiščenje in mazanje rezila na strani 428.</i> Rezilo zbrusite, glejte <i>Pregledovanje rezil na strani 428.</i> Če je rezilo poškodovano, ga zamenjajte.
Rezilo ne reže nemoteno.	Rezilo je topo ali poškodovano.	Po potrebi naostrite rezilo, glejte <i>Pregledovanje rezil na strani 428.</i> Če je rezilo poškodovano, ga zamenjajte.
Rezilo se segreva.	Med reziloma je trenje.	Rezili zbrusite in namastite. Glejte <i>Pregledovanje rezil na strani 428.</i>

Transport skladiščenje in odstranitev

Prevoz in skladiščenje

- Pred vsakim shranjevanjem se mora izdelek ohladiti.
- Preden prevažate in skladiščite izdelek in gorivo, se prepričajte, da izdelek ne pušča in da ni hlapov. Iskre ali odprti plamen, npr. z električnih naprav ali kotlov, lahko zanetijo ogenj.
- Za prevoz in skladiščenje goriva vedno uporabite odobrene posode.
- Pred transportom ali dolgotrajnim skladiščenjem izpraznite posodo za gorivo. Gorivo zavržite na temu primernem zbirnem mestu.
- Med prevozom in skladiščenjem namestite transportno zaščito.
- Pokrov svečke odstranite s svečke.
- Med prevozom pritrdite izdelek. Prepričajte se, da se ne more prestaviti.

- Pred dolgotrajnim skladiščenjem očistite izdelek in na njem opravite servis.

- Izdelek zavržite na odobreni lokaciji za zbiranje odpadkov ali ga pošljite podjetju McCULLOCH za odstranjevanje.

Odstranitev

- Upoštevajte lokalne zahteve in veljavne predpise.
- Vse kemikalije, na primer motorno olje ali gorivo, zavržite na servisnem centru ali na kakšni drugi temu primerni lokaciji.

Tehnični podatki

Tehnični podatki

Tehnični podatki	SUPERLITE 4528	ERGOLITE 6028
Motor		
Gibna prostornina valja, cm ³	21,7	21,7
Število vrtljajev prostega teka, vrt/min	2800	2800
Priporočeno najvišje število vrtljajev, vrt/min	9000	9000
Največja izhodna moč motorja, v skladu z ISO 8893, kW/vrt/min	0,6/7800	0,6/7800
Dušilnik s katalizatorjem	Da	Da
Vžigalni sistem		
Svečka	HQT-4 672201	HQT-4 672201
Razmak med elektrodama, mm	0,5	0,5
Gorivo		
Prostornina posode za gorivo, l	0,3	0,3
Teža		
Teža, kg	4,8	5,0
Emisije hrupa ⁷⁶		
Raven zvočne moči, izmerjena v dB (A)	100	100
Raven zvočne moči, zajamčena L _{WA} v dB(A)	101	101
Nivoji hrupa ⁷⁷		
Ekvivalentna raven zvočnega tlaka na uporabnikovem ušesu, merjena po EN ISO 10517, dB(A)	93	93
Ravni vibracij ⁷⁸		
Ekvivalentne ravni vibracij (a _{h_{v,eq}}) v ročajih, izmerjene v skladu z EN ISO 10517, m/s ² :		

⁷⁶ Emisije hrupa v okolje, merjene kot moč zvoka (L_{WA}), v skladu z direktivo ES 2000/14/ES. Navedena raven zvočne moči izdelka je bila izmerjena z originalnim rezalnim priključkom, ki dosega najvišjo raven. Razlika med zajamčeno in izmerjeno ravno zvočno moči je, da zajamčena raven zvočne moči v skladu z Direktivo 2000/14/ES vključuje tudi razpršitev rezultata meritve in razlike med različnimi izdelki istega modela.

⁷⁷ Zabeleženi podatki za raven zvočnega tlaka imajo tipično statistično razpršitev (standardni odklon) 1 dB(A).

⁷⁸ Zabeleženi podatki za raven vibracij imajo tipično statistično razpršitev (standardni odklon) 1 m/s².

Tehnični podatki	SUPERLITE 4528	ERGOLITE 6028
Spredaj/zadaj, mm/s ²	3,5/4,4	4,1/5,2
Rezila		
Vrsta	Dvostransko	Dvostransko
Rezalna dolžina, mm	450	590
Hitrost rezanja, rezov/min	4050	4050

Izjava ES o skladnosti

Izjava EU o skladnosti

Mi, **Husqvarna AB**, SE--561 82 Huskvarna, Švedska,
tel.: +46-36-146500, izjavljamo na lastno odgovornost,
da je izdelek:

Opis	Obrezovalnik žive meje
Znamka	McCULLOCH
Vrsta/model	SUPERLITE 4528, ERGOLITE 6028
Identifikacija	Serijske številke od letnika 2022 dalje

v celoti skladen z naslednjimi direktivami in uredbami
EU:

Uredba	Opis
2006/42/ES	"o strojih"
2014/30/EU	"o elektromagnetni združljivosti"
2000/14/EC	"o emisijah hrupa v okolico, Priloga V"
2011/65/EU	"o omejevanju uporabe nekaterih nevarnih snovi v električni in elektronski opremi"

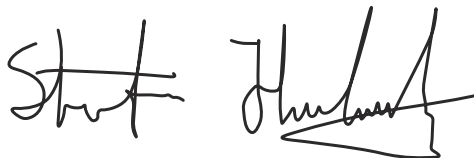
in so pri tem v veljavi naslednji standardi in/ali tehnične
specifikacije: EN ISO 12100:2010, EN ISO 10517:2019,
EN IEC 63000:2018, EN ISO 14982:2009.

Priglašeni organ: RISE SMP Svensk Maskinprovning
AB,, Box 7035, SE-750 07 Uppsala, Sweden je v
imenu družbe Husqvarna AB opravil prostovoljen tipski
pregled.

Številka potrdila: SEC/11/2327

Za informacije v zvezi z emisijami hrupa glejte poglavje
Tehnični podatki na strani 430.

Huskvarna, 2022-02-15



Stefan Holmberg, vodja Handheld Global, vodja
laboratorija HH Global Services, Husqvarna AB

Odgovorni za tehnično dokumentacijo

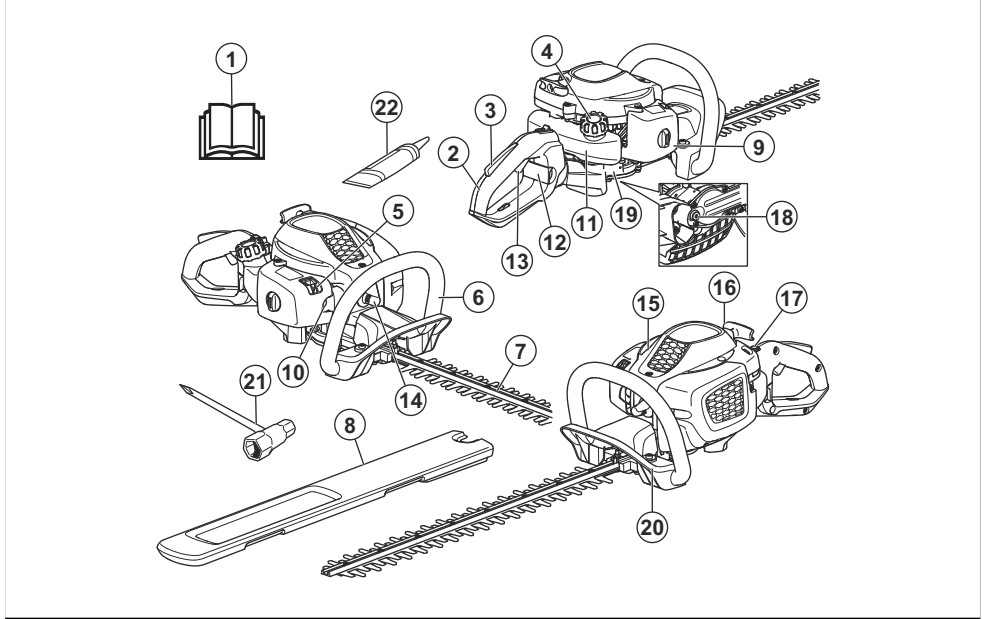


İçindekiler

Giriş.....	433	Sorun giderme.....	444
Güvenlik.....	434	Taşıma, depolama ve atma.....	445
Çalışma.....	439	Teknik veriler.....	446
Bakım.....	441	AT Uyumluluk Bildirimi.....	448

Giriş

Ürüne genel bakış



1. Kullanım kılavuzu
2. Arka tutma yeri
3. Gaz tetiği kilidi
4. Yakıt deposu kapağı
5. Jikle kontrolü
6. Ön tutma yeri
7. Bıçak ve bıçak siperliği
8. Nakliye koruyucusu
9. Hava filtresi kapağı
10. Yakıt pompası diyaframı haznesi
11. Yakıt deposu
12. Tutma yeri kilidi (ErgoLite)
13. Gaz tetiği
14. Buji kapağı ve buji
15. Silindir kapağı
16. Çalıştırma ipi kolu
17. Durdurma anahtarı
18. Yağ doldurma kapağı
19. Dişli kovani
20. El koruması
21. Kombine anahtar
22. Gres tüpü

Ürün açıklaması

Ürün, yanmalı motorlu bir çit düzelticidir.

Kullanım amacı

Ürünü dalları ve çalıları kesmek için kullanın. Ürünü başka işler için kullanmayın.

Ürün üzerindeki semboller



UYARI! Bu ürün, tehlikeli olabilir ve operatör ya da başkaları açısından ciddi yaralanmalara veya ölüme neden olabilir. Dikkatli olun ve ürünü doğru kullanın.



Kullanım kılavuzunu dikkatle okuyun ve kullanımdan önce talimatları anladığınızdan emin olun.



Onaylı kulak koruma ekipmanı ve onaylı koruyucu gözlük kullanın.



Onaylı koruyucu eldiven kullanın.



Ağır işler için elverişli, kaymaya dirençli botlar kullanın.



Yakıt pompası diyaframı haznesi.



Jikle.



Tutma yeri ayarı için kilit.



Yakıt.



Avrupa Direktifi 2000/14/AT ve Yeni Güney Galler mevzuatı "Çevre Koruma Operasyonları (Gürültü Kontrolü) Yönetmeliği 2017" uyarınca çevreye yayılan gürültü emisyonu. Gürültü emisyonu verileri makine etiketinde ve Teknik veriler bölümünde bulunabilir.



Ürün, geçerli AT direktiflerine uygundur.

yyyyhxxxx

Nominal değerler plakası, seri numarasını gösterir. **yyyy** üretim yılı, **hh** ise üretim haftasıdır.

Not: Ürünün üzerindeki diğer semboller/etiketler, bazı pazarların sertifikalandırma gereklilikleri ile ilgilidir.

Avrupa V Emisyonları



UYARI: Motorun kurcalanması bu ürünün AB tip onayını geçersiz kılar.

Güvenlik

Güvenlik tanımları

Kılavuzdaki önemli kısımları vurgulamak için uyarılar ve notlar kullanılmıştır.



UYARI: Kılavuzdaki talimatlara uyulmadığı takdirde operatör veya çevredeki kişiler için ciddi yaralanma veya ölüm tehlikesi varsa kullanılır.



DİKKAT: Kılavuzdaki talimatlara uyulmadığı takdirde ürünün, diğer malzemelerin veya çevrenin zarar görme riski olduğunda kullanılır.

Not: Belirli bir durumda bilgi verilmesi gerektiğinde kullanılır.

Genel güvenlik talimatları



UYARI: Ürünü kullanmadan önce aşağıdaki uyarı talimatlarını okuyun.

- Hatalı veya dikkatsiz kullanılması ürünü ciddi, hatta ölümcül yaralanmalara neden olabilen tehlikeli bir alete çevirebilir. Bu kullanım kılavuzunun içeriğini okumanız ve anlamanız son derecede önemlidir.
- Bu ürün, çalışırken elektromanyetik bir alan oluşturur. Bu alan, bazı koşullarda aktif veya pasif tıbbi implantlarda parazitlenmeye neden olabilir. Ciddi yaralanmaya veya ölüme neden olabilecek durumların ortaya çıkma riskini azaltmak için tıbbi implantı olan kişilerin, bu ürünü çalıştırmadan önce doktorlarına ve tıbbi implant üreticilerine danışmalarını öneririz.
- Titreşime aşırı ölçüde maruz kalmak, dolaşım bozukluğu olan kişilerde dolaşım veya sinir sistemi hasarına yol açabilir. Titreşime aşırı maruz kalma belirtileri yaşıyorsanız doktorunuzla iletişime

- geçin. Bu belirtiler arasında uyuşma, his kaybı, karıncalanma, iğnelenme, acı, güç kaybı, cilt renginde veya durumunda değişiklik bulunmaktadır. Bu belirtiler çoğunlukla parmaklarda, ellerde veya bileklerde ortaya çıkar. Düşük sıcaklıklarda risk artar.
- Kullanılmış bir susturucu ve kıvılcım önleyici, yanma sonrası oluşan ve kanserojen olabilecek parçacıklar içerebilir. Susturucu veya kıvılcım önleyici kullanırken bu bileşiklere karşı önlem alın. Susturucu veya kıvılcım önleyici kullanmadan önce *Susturucuyu kontrol etme sayfa*: 437 bölümündeki talimatları okuyun.
 - Nasıl devam etmeniz gerektiği konusunda emin olmadığınız bir durumla karşılaşırsanız bir uzmana danışmalısınız. Bayiniz veya servis atölyenizle iletişime geçin. Yapabileceğinizin ötesinde olduğunu düşündüğünüz hiçbir çalışmayı yapmayın.
 - Diğer insanların veya bu insanlara ait eşyaların kazalara veya tehlikelere maruz kalmasından operatörün sorumlu olacağını unutmayın.
 - Kullanım kılavuzundaki bilgileri tam olarak anlamadığınızdan emin olmadığınız kişilerin ürünü kullanmasına kesinlikle izin vermeyin.
 - Çocukların ürünü kullanmasına veya ürünün yakınında bulunmasına kesinlikle izin vermeyin. Ürün yayılı mekanizmalı bir durdurma anahtarıyla donatıldığından ve düşük hızda ve çalışma koluna uygulanan kuvvetle çalıştırılabildiğinden, bazı durumlarda küçük çocuklar dahi ürünü çalıştırmak için gereken kuvveti sağlayabilir. Bu da ciddi yaralanma riski doğurur. Bu nedenle, ürün sıkı gözetim altında olmadığında buji kapağını çıkarın.
 - Ürünü çocukların erişemeyeceği yerlerde saklayın.
 - Yorgunsanız, alkol aldıysanız veya görüşünüzü, karar verme yetinizi ya da koordinasyonunuzu etkileyebilecek ilaçlar alıyorsanız ürünü asla kullanmayın.
 - Arızalı bir ürünü kesinlikle kullanmayın. Bu kılavuzda belirtilen tüm kontrol, bakım ve servis talimatlarına uyun. Bazı bakım ve servis işlerinin sadece eğitilmiş ve yetkili teknisyenler tarafından yapılması gerekir. Bakım başlığı altındaki talimatlara bakın.
 - Orijinal özellikleri herhangi bir şekilde değiştirilmiş bir ürünü asla kullanmayın.

Kullanım için güvenlik talimatları



UYARI: Ürünü kullanmadan önce aşağıdaki uyarı talimatlarını okuyun.

- Ürün aşırı soğuk, aşırı sıcak ve/veya nemli iklimler gibi ağır hava koşullarında asla kullanmayın.
- Hatalı bıçaklar kaza riskini artırabilir.
- Çalışırken hiçbir insan veya hayvanın 15 m/50 ft'ten fazla yaklaşmadığından emin olun.
- Çevrenize dikkat edin ve insanların veya hayvanların kesme ekipmanı ile temas etme riski olmadığından emin olun.

- Çalışma alanını inceleyin. Fırlayabilecek tüm nesnelere uzaklaşın.
- Her zaman çalışma konumunuzun emniyetli ve dengeli olduğundan emin olun.
- Motor çalışırken ürünün başından asla ayrılmayın.
- Motor çalışır durumdayken ellerinizi ve ayaklarınızı kesme birimine yaklaştırmayın.
- Çalışmanız esnasında bıçakların arasına bir şey sıkışırsa motoru kapatın ve bıçakları temizlemeden önce bıçakların tamamen durmasını bekleyin. Buji kapağını bujiden ayırın.
- Motor kapatıldığında tamamen durana kadar ellerinizi ve ayaklarınızı kesme biriminden uzak tutun.
- Kesme işlemi esnasında fırlayabilecek dal parçalarına dikkat edin.
- Kulak koruma ekipmanı taktığınızda, uyarı sinyalleri veya bağırma seslerini dinleyin. Motor durur durmaz kulak koruma ekipmanınızı hemen çıkarın.
- Asla tam anlamıyla sabitlenmemiş bir merdiven, tabure veya diğer yüksek konumlar üzerinde çalışmayın.
- Ürünü tutmak için her zaman iki elinizi birden kullanın. Ürünü vücudunuzun önünde tutun.
- Yabancı bir cisme çarpıldığında ya da titreşim oluştuğunda ürünü hemen durdurun. Buji kapağını bujiden ayırın. Ürünün hasarlı olup olmadığını kontrol edin. Hasarları tamir edin.
- Elektrik çarpması riskini önlemek için buji kapağını ve ateşleme kablosunun hasarlı olmadığından emin olun.
- Tüm somunların ve vidaların sıkı olup olmadığını kontrol edin.
- Dişli kutusunun doğru şekilde yağlandığından emin olun. Bkz. *Dişli kovanını yağlama sayfa*: 444.
- Ürün kullanılırken dişli kutusu ısınır. Kendinizi yakmamak için dişli kutusuna dokunmayın.
- Çalıştırmadan önce tüm kapaklar ve siperlikler takılmış olmalıdır.
- Bıçaklar sıkışırca kombine anahtar dişli kutusuna takılarak bıçaklar gevşetilebilir. Kombine anahtar dişli kutusuna takın ve ileri geri döndürün. Bkz. *Dişli kovanını yağlama sayfa*: 444.
- Nakliye koruyucusu, ürün kullanılmıyorken kesme birimine her zaman takılı olmalıdır.

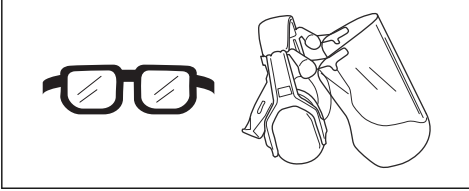
Kişisel koruyucu ekipman



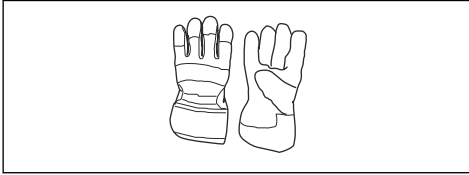
UYARI: Ürünü kullanmadan önce aşağıdaki uyarı talimatlarını okuyun.

- Ürünü kullanırken daima onaylı kişisel koruyucu ekipmanları kullanın. Kişisel koruyucu ekipmanlar yaralanma riskini tamamen engelleyemez ancak bir kaza durumunda yaralanmanın derecesini azaltır. Bayinizin doğru ekipmanı seçmenize yardımcı olmasını sağlayın.

- Yeterli gürültü azaltması sağlayan onaylı kulak koruma ekipmanını kullanın. Uzun süre gürültüye maruz kalınması sürekli işitme bozukluğuna yol açabilir.
- Onaylı koruyucu gözlük kullanın. Vizör kullanıyorsanız onaylı koruma gözlüğü de kullanmanız gerekir. Onaylı koruma gözlükleri ABD'de ANSI Z87.1, AB ülkelerinde EN 166 standardıyla uyumlu olmalıdır.



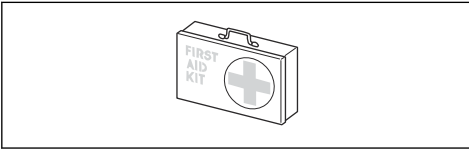
- Kesme donanımını takma, kontrol etme veya temizleme gibi eldiven gerektiren durumlarda eldiven kullanın.



- Sağlam, kaymayan botlar veya ayakkabılar giyin.



- Sağlam kumaştan yapılmış kıyafetler kullanın. Daima kalın ve uzun pantolonlarla uzun kollu kıyafetler kullanın. Çalılara ve dallara takılabilecek bol kıyafetler kullanmayın. Takı takmayın; şort, sandalet giymeyin veya çıplak ayakla dolaşmayın. Saçınızı güvenli bir şekilde omuz hizasının üzerinde toplayın.
- İlk yardım ekipmanını yakında bulundurun.



Ürünün üzerindeki güvenlik aletleri

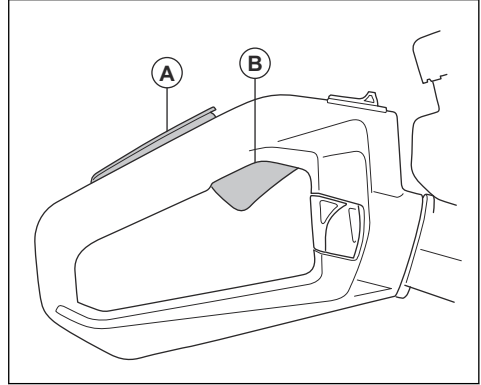


UYARI: Ürünü kullanmadan önce aşağıdaki uyarı talimatlarını okuyun.

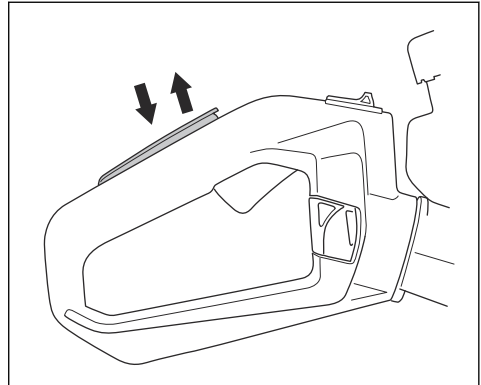
- Güvenlik araçları arızalı olan bir ürünü kullanmayın.
- Güvenlik araçlarını düzenli olarak kontrol edin. Güvenlik araçları arızalıysa McCULLOCH servis noktanızla görüşün.

Gaz tetiği kilidini kontrol etme

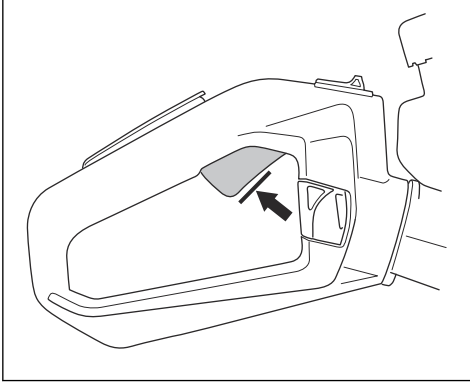
1. Gaz tetiği kilidinin (A) ve gaz tetiğinin (B) serbestçe hareket ettiğinden ve dönüş yayının düzgün çalıştığından emin olun.



2. Gaz tetiği kilidine basın ve tetiği serbest bıraktığınızda başlangıç konumuna döndüğünden emin olun.



3. Gaz tetiđi kilidini serbest bırakın ve gaz tetiđinin rölanti konumunda kilitlendiđinden emin olun.



4. Motoru çalıştırın ve tam gaz verin.
5. Gaz tetiđini serbest bırakın ve bıçakların tamamen durduđundan emin olun.



UYARI: Gaz tetiđi rölanti konumundayken bıçaklar hareket ederse rölantiyi ayarlayın. Bkz. *Rölantinin ayarlanması sayfa: 442.*

Durdurma anahtarını kontrol etme

1. Motoru başlatın.
2. Durdurma anahtarını durdurma konumuna itin ve motorun durduđundan emin olun.



UYARI: Durdurma anahtarı, otomatik olarak çalıştırma konumuna geri döner. Yanlışlıkla çalıştırmayı önlemek için ürün monte ederken veya ürün üzerinde bakım yaparken buji kapađını bujiden çıkarın.

El korumasını kontrol etme

El koruyucusu bıçakların yol açabileceđi yaralanmaları engeller.

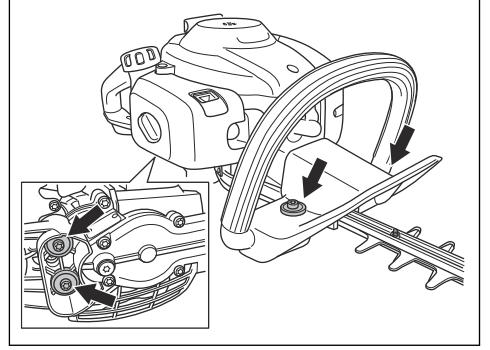
1. Motoru durdurun.
2. El korumasının dođru şekilde takıldıđından emin olun.
3. El korumasında hasar olup olmadıđını kontrol edin.

Titreşim azaltma sistemini kontrol etme

Titreşim azaltma sistemi tutma yerlerindeki titreşimi azaltır. Titreşim azaltma üniteleri, ürünün gövdesi ile tutma yeri ünitesi arasında ayırıcı işlevi görür.

1. Herhangi bir hasar veya deformasyon olup olmadıđını gözünüzle kontrol edin.

2. Titreşim azaltma elemanlarının dođru şekilde takıldıđından emin olun.



Susturucuyu kontrol etme



UYARI: Ürünü susturucu olmadan ya da arızalı bir susturucuyla kullanmayın. Arızalı bir susturucu, gürültü düzeyini ve yangın riskini artırabilir. Ürünü kıvılcım önleyici siperlik olmadan veya kırık bir kıvılcım önleyici siperlikle kullanmayın. Kıvılcım önleyici siperlik hasarlıysa deđiştirilmelidir.



UYARI: Kullanılmıř bir susturucu ve kıvılcım önleyici, yanma sonrası oluřan ve kanserojen olabilecek parçacıklar içerebilir. Kanseröjen parçacıkların ciltle temasından ve solunmasından kaçınmak için koruyucu eldiven kullanın ve iyi havalandırılan bir ortamda bakım yapın. Kıvılcım önleyiciyi temizlemek için basınçlı hava kullanmayın. Kıvılcım önleyiciyi temizlerken tel fırça kullanın ve vücudunuzdan uzađa dođru fırcalayın.



UYARI: Susturucular çalışma sırasında, çalışmadan hemen sonra ve rölantide çok ısınır.



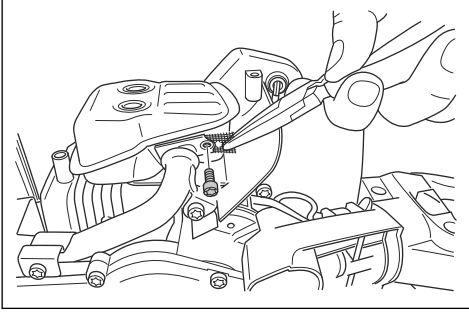
DİKKAT: Kıvılcım önleyici siperlik sık sık tıkanıyorsa bu durum katalitik dönüřtürücü performansının azaldıđının bir göstergesi olabilir. Susturucuyu kontrol ettirmek için servis bayinizle iletiřime geçin. Kıvılcım önleyici siperliđin tıkanması aşırı ısınmaya ve dolaylı olarak silindirin ve pistonun zarar görmesine neden olur.



UYARI: Susturucunun iç yüzeylerinde kansere neden olabilecek kimyasallar bulunur. Susturucu hasar gördüđünde bu elemanlara dokunmamaya özen gösterin.

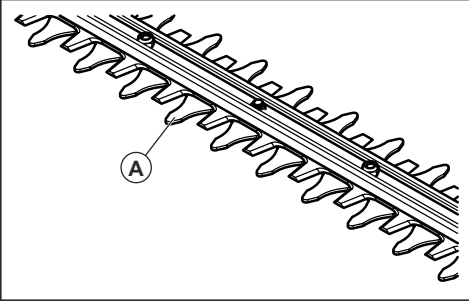
Susturucu, gürültü düzeyini minimum seviyede tutar ve egzoz dumanlarını operatörden uzağa yönlendirir. Katalitik dönüştürücülü susturucu, zararlı egzoz gazlarını azaltır.

1. Motoru durdurun.
2. Herhangi bir hasar veya deformasyon olup olmadığını gözünüzle kontrol edin.
3. Susturucunun ürüne doğru şekilde takıldığından emin olun.
4. Kıvılcım önleyici siperliği tel fırçayla temizleyin.



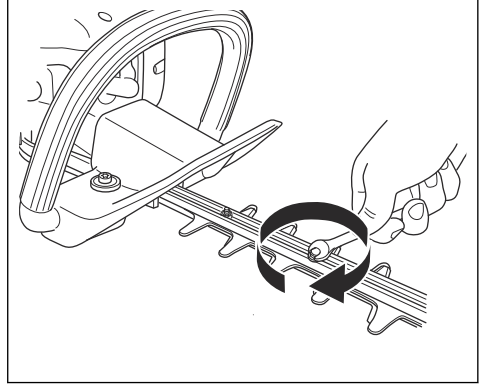
Bıçağı ve bıçak siperliğini kontrol etme

Bıçakların dış kenarı (A) bıçak siperliği işlevi görür. Bıçak siperliği, operatörü bıçağa yanlışlıkla temas etmekten korur.



1. Motoru durdurun ve kesme biriminin durduğundan emin olun.
2. Buji kapağını bujiden çıkartın.
3. Koruyucu eldivenleri giyin.
4. Bıçağın ve bıçak siperliğinin hasarlı ya da bükülmüş olmadığından emin olun. Hasarlı veya bükülmüş bıçağı mutlaka değiştirin.

5. Kesme birimindeki vidaların takılı olduğundan emin olun. Vidaları 7-10 Nm torla sıkın.



Yakıt güvenliği



UYARI: Ürünü kullanmadan önce aşağıdaki uyarı talimatlarını okuyun.

- Ürünün üzerinde yakıt veya motor yağı varsa ürünü çalıştırmayın. İstenmeyen yakıt/yağı temizleyin ve ürünün kurumasını bekleyin.
- Kıyafetlerinize yakıt bulaşırsa kıyafetlerinizi hemen değiştirin.
- Vücudunuza yakıt bulaştırmayın; bu, yaralanmaya sebep olabilir. Vücudunuza yakıt bulaşırsa yakıtı temizlemek için su ve sabun kullanın.
- Motorda sızıntı varsa ürünü çalıştırmayın. Motorda sızıntı olup olmadığını düzenli olarak kontrol edin.
- Yakıtla uğraşırken dikkatli olun. Yakıt yanıcı ve dumanlar patlayıcıdır; yaralanmalara veya ölüme sebep olabilir.
- Yaralanmaya sebep olabileceğinden yakıt dumanını solumayın. Yeterli hava akışı olduğundan emin olun.
- Yakıtın veya motorun yakınında sigara içmeyin.
- Yakıtın veya motorun yakınına sıcak nesnelere koymayın.
- Motor açıkken yakıt eklemeyin.
- Yakıtı yenilemeden önce motorun soğuduğundan emin olun.
- Yakıtı yenilemeden önce yakıt tankı kapağını yavaşça açın ve basıncı dikkatlice tahliye edin.
- Kapalı bir alanda motora yakıt eklemeyin. Nefessiz kalma veya karbon monoksit nedeniyle yeterli hava akışının olmaması yaralanmaya veya ölüme sebep olabilir.
- Yakıt tankı kapağını tamamen sıkın. Yakıt tankı kapağı sıkılmamışsa yangın riski vardır.
- Çalıştırmadan önce ürünü, yakıt tankını doldurduğunuz konumdan en az 3 m/10 ft uzağa taşıyın.

- Yakıt tankını tamamen doldurmayın. Isı yakıtın genişlemesine neden olur. Yakıt tankının üst kısmında boşluk bırakın.

Bakım için güvenlik talimatları



UYARI: Ürünü kullanmadan önce aşağıdaki uyarı talimatlarını okuyun.

- Motoru durdurun ve kesme donanımının durduğundan emin olun. Bakım yapmadan önce ürünün soğumasını bekleyin.
- Bakım gerçekleştirmeden önce buji kapağını çıkarın.
- Motordan gelen egzoz dumanı kokusuz, zehirli ve ölüme neden olabilecek son derece tehlikeli bir gaz olan karbon monoksit içerir. Ürünü iç mekanlarda veya kapalı alanlarda çalıştırmayın.

- Motordan çıkan egzoz dumanları sıcaktır ve kıvılcımlı olabilir. Ürünü kapalı yerlerde veya yanıcı maddelerin yakınında çalıştırmayın.
- Üretici tarafından onaylanmayan aksesuarlar ve değişiklikler ciddi yaralanmaya veya ölüme neden olabilir. Ürünü değiştirmeyin. Her zaman orijinal aksesuarlar kullanın.
- Bakım doğru bir şekilde ve düzenli olarak yapılmazsa yaralanma ve ürünün hasar görme riski artar.
- Bakımı yalnızca bu kullanım kılavuzunda önerilen şekilde yapın. Tüm diğer servis işlemlerini onaylı bir McCULLOCH servis noktasına yaptırın.
- Yetkili bir McCULLOCH servis noktasının ürüne düzenli olarak servis işlemi uygulamasını sağlayın.
- Hasarlı, aşınmış veya bozuk parçaları değiştirin.

Çalışma

Giriş



UYARI: Ürünü kullanmadan önce güvenlik bölümünü okuyup anlayın.

Yakıt

Bu üründe iki zamanlı motor bulunur.



DİKKAT: Yanlış tür yakıtın kullanımı motor hasarına neden olabilir. Benzin ve iki zamanlı motor yağı karışımı kullanın.

İki zamanlı yağ

- En iyi sonuçlar ve performans için McCULLOCH iki zamanlı yağ kullanın.
- McCULLOCH iki zamanlı yağ yoksa hava soğutmalı motorlar için iyi kalitede başka bir iki zamanlı yağ kullanın. Doğru yağı seçmek için servis bayinizle iletişime geçin.



DİKKAT: Su soğutmalı dış motorlar için olan ve dış yağ olarak da bilinen iki zamanlı yağı kullanmayın. Dört zamanlı motor yağlarını kullanmayın.

Hazır yakıt karışımı

- Motorun en iyi performansı göstermesi ve motor ömrünün uzaması için McCULLOCH hazır alkolat yakıt kullanın. Zararlı egzoz dumanını azaltan bu yakıt, normal yakıta kıyasla daha az zararlı kimyasal içerir. Bu yakıt yanma sonrası daha az kalıntı bıraktığından, motor bileşenlerini daha temiz tutar.

Yakıtın karıştırılması

Benzin

- Maksimum %10 etanol içerikli iyi kalite kurşunsuz benzin kullanın.



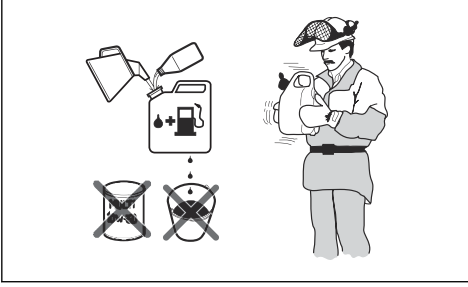
DİKKAT: Oktan oranı 90 RON/87 AKI değerinin altında olan benzin kullanmayın. Daha düşük oktanlı benzinin kullanılması motorda vuruntuya ve hasarlara neden olabilir.

Benzinle iki zamanlı yağı karıştırma

Benzin, litre	İki zamanlı yağ, litre
	%2 (50:1)
5	0,10
10	0,20
15	0,30
20	0,40



DİKKAT: Az miktarda yakıt karıştırırken yapılan küçük bir hata, karışımın oranını büyük ölçüde etkileyebilir. Doğru karışımı elde ettiğinizden emin olmak için yağ miktarını dikkatli bir şekilde ölçün.



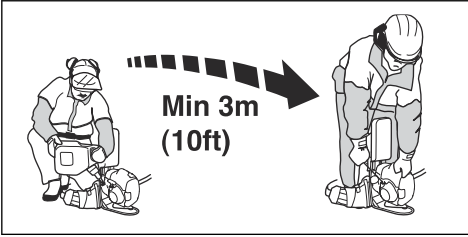
1. Benzinin yarısını temiz bir yakıt kabına doldurun.
2. Yağ miktarının tümünü ekleyin.
3. Yakıt karışımını çalkalayın.
4. Kalan benzini kaba ekleyin.
5. Yakıt karışımını dikkatlice çalkalayın.



DİKKAT: Tek seferde 1 aylıktan fazla yakıt karıştırmayın.

Yakıt tankını doldurma

1. Yakıt tankı kapağının çevresini temizleyin.
2. Kabı sallayın ve yakıtın iyice karıştığından emin olun. Dökülmeyi engelleyen valfe sahip bir yakıt konteynerini kullanın.
3. Yakıt tankı kapağını çıkarın.
4. Yakıt tankını doldurun.
5. Yakıt tankının kapağını dikkatlice sıkın.
6. Ürünü çalıştırmadan önce yakıt ikmali alanından ve yakıt kaynağından en az 3 m (10 ft) uzaklaşın.

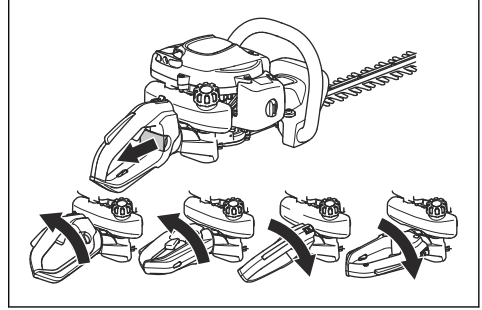


DİKKAT: Tankın içerisindeki kirlilik, arızaya neden olur. Yakıt tankını ve zincir yağı tankını düzenli olarak temizleyin ve yakıt filtresini yılda en az bir kez değiştirin.

Tutma yerinin ayarlanması (ERGOLITE 6028)

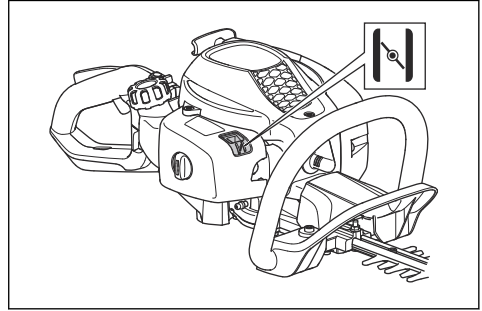
Arka tutma yeri 5 farklı konumda ayarlanabilir.

- Tutma yeri kilidini serbest bırakın ve tutma yerini çevirin.



Ürünü motor soğukken çalıştırma

1. Jikle kontrolünü jikle konumuna çekin.



2. Yakıt pompası diyaframı haznesini yaklaşık 6 kez veya hazne yakıtla dolmaya başlayınca kadar itin. Yakıt pompası diyaframı haznesini tamamen doldurmak gerekmez.
3. Sol elinizle ürünün gövdesini zeminin üzerinde tutun. Ürünün üstüne basmayın.
4. Çalıştırma ipi tutma yerini sağ elinizle, direnç hissedinceye kadar yavaşça, daha sonra hızlı ve kuvvetli bir şekilde çekin.



UYARI: Çalıştırma ipini elinize dolamayın.



DİKKAT: Çalıştırma ipini sonuna kadar çekmeyin ve çalıştırma ipi tutma yerini elinizden bırakmayın.

5. Motor çalışana kadar çalıştırma ipi kolunu çekmeye devam edin, ardından jikle kontrolünü ilk konumuna itin.



UYARI: Motor başladığında bıçaklar hareket eder.

6. Çalıştırma ipi kolunu motor çalışana kadar çekmeye devam edin.
7. Motoru rölanteye ayarlamak için gaz tetiğini itip bırakın.
8. Motor hızını artırmak için gaz tetiğini kademeli olarak itin.
9. Motorun sorunsuz şekilde çalıştığından emin olun.

Ürünü motor sıcakken çalışma

1. Sol elinizle ürünün gövdesini zeminin üzerinde tutun. Ürünün üstüne basmayın.
2. Çalıştırma ipi tutma yerini sağ elinizle, direnç hissedinceye kadar yavaşça, daha sonra hızlı ve kuvvetli bir şekilde çekin. Motor çalışana kadar devam edin.

Not: Ürünün nasıl çalıştırılacağı hakkında daha fazla bilgi için bkz. *Ürünü motor soğukken çalışma sayfa: 440.*

Ürünü durdurma

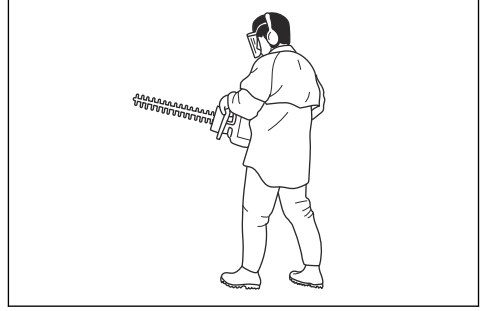
- Motoru durdurmak için durdurma anahtarını stop (durdurma) konumuna getirin.



DİKKAT: Durdurma anahtarı, otomatik olarak çalışma konumuna geri döner.

Ürünü çalışma

1. Kenarları keserken zemine yakın yerden başlayın ve ürünü çit boyunca yukarı doğru hareket ettirin. Ürünün gövdesinin çite temas etmediğinden emin olun.



UYARI: Kesme donanımının ön kısmının yere temas etmediğinden emin olun.

2. Hızı iş yüküne uygun olarak ayarlayın.
3. Dengeli bir çalışma konumu sağlamak için ürünü vücudunuza yakın tutun.
4. Dikkatli olun ve ürünü yavaşça kullanın.

Bakım

Giriş



UYARI: Ürün üzerinde bakım yapmadan önce güvenlik bölümünü okuyup anlayın.

Bakım takvimi

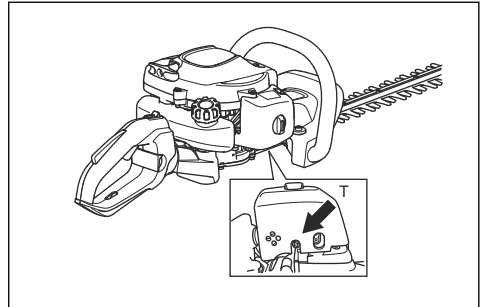
Bakım	Çalıştırmadan önce	40 saat sonra	100 saat sonra
Dış yüzeyi temizleyin.		Her çalıştırmadan sonra.	
Susturucuyu, egzoz borusunu ve motoru yapraklardan, kirden ve istenmeyen yağlardan arındırın.		Her çalıştırmadan sonra.	
Rölantideyken kesme biriminin hareket etmediğinden emin olun.	X		
Durdurma anahtarını kontrol edin. Bkz. <i>Durdurma anahtarını kontrol etme sayfa: 437.</i>	X		
Kesme biriminde hasar veya çatlak olup olmadığını kontrol edin. Hasarlıysa değiştirin.	X		
EI koruyucusunda hasar ve çatlak olup olmadığını kontrol edin. Hasarlıysa değiştirin.	X		

Bakım	Çalıştırmadan önce	40 saat sonra	100 saat sonra
Gaz tetiği kilidini ve gaz tetiğini kontrol edin. Bkz. <i>Gaz tetiği kilidini kontrol etme sayfa: 436.</i>	X		
Motorda, yakıt deposunda ve yakıt hortumunda sızıntı olup olmadığına bakın.	X		
Somun ve vidaları sıkın.	X		
Susturucudaki kıvılcım önleyici siperliği temizleyin veya değiştirin. Bkz. <i>Susturucuyu kontrol etme sayfa: 437.</i>		X	
Marş motorunda ve marş ipinde hasar olup olmadığına bakın.		X	
Bıçakları tutan vidaların doğru şekilde sıkılıp sıkılmadığını kontrol edin.		X	
Hava filtresini temizleyin. Ürün tozlu alanlarda kullanılıyorsa daha sık temizleyin. Hasarlıysa değiştirin.		X	
Titreşim azaltma ünitelerinde hasar ve çatlak olup olmadığına bakın. Hasarlıysa değiştirin.		X	
Bujinin dış yüzeyini ve etrafındaki bölgeyi temizleyin. Bujiyi çıkarın ve elektrot boşluğunu ölçün. Elektrot boşluğunu ayarlayın veya bujii değiştirin. Bkz. <i>Bujinin kontrol edilmesi sayfa: 443.</i>		X	
Soğutma sistemini temizleyin.		X	
Karbüratörün dış yüzeyini ve etrafındaki bölgeyi temizleyin.		X	
Yakıt filtresinin kirliliğinden veya yakıt hortumunda çatlak ya da başka kusurlar bulunmadığından emin olun. Hasarlıysa değiştirin.			X
Susturucudaki kıvılcım önleyici siperliği temizleyin, hasarlıysa değiştirin.			X
Yakıt deposunun iç yüzeyini temizleyin.			X
Bujiyi değiştirin.			X
Kavramada, kavrama yayında ve kavrama tamburunda aşınma olup olmadığını kontrol edin. Hasarlıysa yetkili bir servis bayisine değiştirin.			X
Dişli kovanının gresle dolu olduğundan emin olun.			X
Tüm kabloları ve bağlantıları kontrol edin.			X

Rölantinin ayarlanması

1. Hava filtresini temizleyin ve hava filtresi kapağını takın.
2. Ürünü çalıştırın. Bkz. *Ürünü motor soğukken çalıştırma sayfa: 440.*

3. Kesme birimi hareket etmeye başlayana kadar T işaretiyle belirtilmiş rölanti ayar vidasını saat yönünde çevirin.



4. Kesme birimi durana kadar rölanti ayar vidasını saat yönünün tersine çevirin.

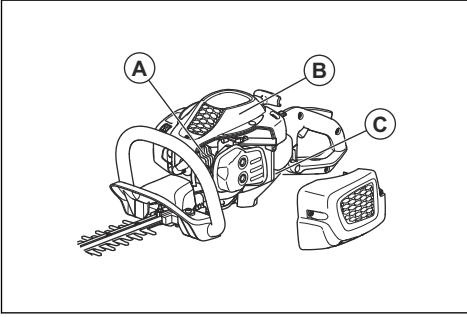


UYARI: Rölantiyi ayarladığınızda kesme birimi durmazsa en yakın servis bayinizle görüşün. Ürünü, doğru şekilde ayarlanana veya onarılanaya kadar kullanmayın.

Not: Motorun her konumda sorunsuz çalışması rölantinin doğru ayarlandığı anlamına gelir. Önerilen rölanti hızı için *Teknik veriler sayfada: 446* bölümüne bakın.

Soğutma sistemini temizleme

Soğutma sistemi motor sıcaklığının düşük olmasını sağlar. Soğutma sistemini oluşturan bileşenler şunlardır: Silindirdaki soğutma kanatları (A), silindir kapağı (B) ve krank kutusu (C) yoluyla hava girişi.



DİKKAT: Yakıt tankı ile krank kutusu arasındaki hava girişi, yapraklarla kolayca tıkanır. Hava girişini tamamen temizleyin.

1. Soğutma sistemini haftada bir kez ya da gerekirse daha sık olmak üzere fırçayla temizleyin.
2. Soğutma sisteminin kirliliği ya da tıkalı olmadığından emin olun.

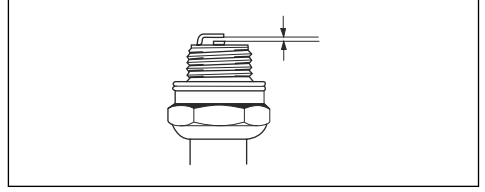
Bujinin kontrol edilmesi



DİKKAT: Daima önerilen tipte buji kullanın. Yanlış buji türü ürüne zarar verebilir.

- Motor gücü düşerse, çalıştırılması kolay değilse veya rölantide düzgün bir şekilde çalışmıyorsa bujiyi kontrol edin.
- Buji elektrotlarında istenmeyen nesne riskini azaltmak için şu talimatlara uyun:
 - a) Rölanti hızının doğru ayarlandığından emin olun.
 - b) Yakıt karışımının doğru olduğundan emin olun.
 - c) Hava filtresinin temiz olduğundan emin olun.

- Buji kirliyse temizleyin ve elektrot boşluğunun doğru olduğundan emin olun, bkz. *Teknik veriler sayfada: 446*.

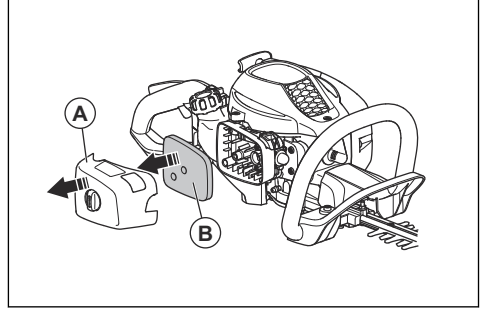


- Gerekirse bujiyi değiştirin.

Hava filtresinin temizlenmesi

Hava filtresindeki kiri ve tozu düzenli olarak temizleyin. Bu işlem karbüratör arızalarını, marş sorunlarını, motor gücü kaybını, motor parçalarındaki aşınmayı ve normalden daha fazla yakıt tüketimini engeller.

1. Hava filtresi kapağını (A) çıkarın.



2. Hava filtresini (B) filtre çerçevesinden çıkarın.
3. Hava filtresini ılık, sabunlu suyla temizleyin.



DİKKAT: Uzun süre kullanılan hava filtresi tamamen temizlenemez. Hava filtresini düzenli olarak değiştirin; kusurlu hava filtresini mutlaka değiştirin.

4. Hava filtresinin kuru olduğundan emin olun.
5. Hava filtresini yağlayın. Bkz. *Köpük hava filtresini yağlama sayfada: 443*.
6. Hava filtresi kapağının iç yüzeyini temizleyin. Basınçlı hava veya bir fırça kullanın.

Köpük hava filtresini yağlama



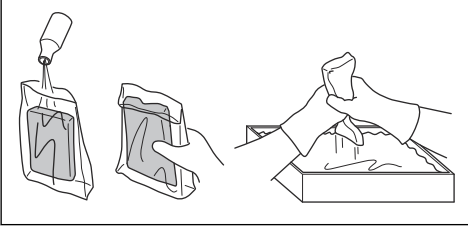
DİKKAT: Her zaman McCULLOCH özel hava filtresi yağını kullanın. Diğer yağ türlerini kullanmayın.



UYARI: Koruyucu eldivenleri giyin. Hava filtresi yağı ciltte tahrişe neden olabilir.

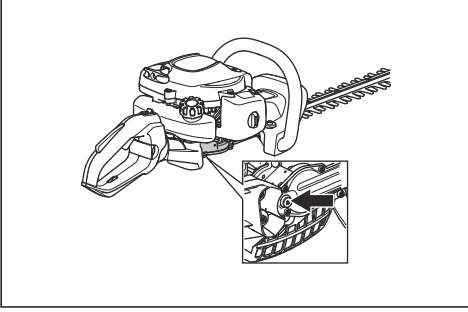
1. Köpük hava filtresini plastik bir torbaya koyun.

2. Yağı plastik torbaya koyun.
3. Yağın, köpük hava filtresinin her yerine eşit olarak yayıldığından emin olmak için plastik torbayı ovuşturun.
4. Plastik torbadayken istenmeyen yağ köpük hava filtresinden itin.



Dişli kovanını yağlama

- McCULLOCH özel gresini kullanın. Önerilen gres hakkında daha fazla bilgi için servis bayinizle görüşün.
- Dişli kovanı üzerindeki yağ doldurma kapağından gres ekleyin.



DİKKAT: Dişli kovanını tamamen doldurmayın.

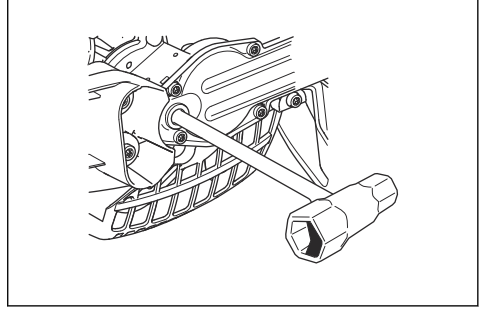
Bıçakları temizleme ve yağlama

1. Ürünü kullanmadan önce ve kullandıktan sonra bıçaklardaki istenmeyen maddeleri temizleyin.
2. Uzun süreli depolama öncesinde bıçakları yağlayın.

Not: Önerilen temizleme maddesi ve yağlar hakkında daha fazla bilgi için servis bayinizle görüşün.

Bıçakların kontrol edilmesi

1. Dişli kovanı üzerindeki yağ doldurma kapağını çıkarın.
2. Bıçakların serbestçe hareket ettiğinden emin olun. Kombine anahtarı dişli kovanına yerleştirip saat yönünde ve saat yönünün tersine döndürün.



3. Bıçakların kenarlarında hasar veya deformasyon olup olmadığını kontrol edin.
4. Bıçakların üzerindeki çapakları bir eğeyle giderin.

Sorun giderme

Sorun giderme

Motorun çalışmaması		
Sorun	Olası neden	Önerilen adım
Çalıştırma mandalları	Marştaki dişli çark mandalları serbest hareket edemiyordur.	Marş dişli çark mandallarını ayarlayın ya da değiştirin.
		Marş dişli çark mandallarının etrafını temizleyin.
		Yetkili bir servis bayisiyle görüşün.
Yakıt tankı	Yanlış yakıt tipi.	Yakıtı boşaltın ve uygun bir yakıt kullanın.

Motorun çalışmaması		
Sorun	Olası neden	Önerilen adım
Karbüratör	Yanlış rölanti.	Rölantiyi ayarlayın.
Kıvılcım yok	Buji kirli veya ıslaktır.	Bujinin kuru ve temiz olduğundan emin olun.
	Yanlış elektrot boşluğu.	Bujiyi temizleyin. Bujinin elektrot boşluğunun doğru olduğundan emin olun. Bujinin bir parazit gidericiyle birlikte takıldığından emin olun. Doğru elektrot boşluğu için bkz. <i>Teknik veriler sayfada: 446.</i>
Buji	Buji gevşektir.	Bujiyi sıkın.

Motor çalışıyor ancak tekrar duruyor		
Sorun	Olası neden	Önerilen adım
Yakıt tankı	Yanlış yakıt tipi.	Yakıtı boşaltın ve uygun bir yakıt kullanın.
Karbüratör	Yanlış rölanti.	Rölantiyi ayarlayın. Bkz. <i>Rölantinin ayarlanması sayfada: 442.</i> Gerekirse servis bayinizle görüşün.
Hava filtresi	Hava filtresi tıkanmış.	Hava filtresini temizleyin.

Bıçak		
Sorun	Olası nedenler	Önerilen adım
Bıçak yavaş hareket ediyor veya hareket etmiyor.	Bıçak engelleniyor veya hasarlı.	Bıçakları istenmeyen malzemelerden temizleyin. Bkz. <i>Bıçakları temizleme ve yağlama sayfada: 444.</i> Bıçaktaki çapakları temizleyin, bkz. <i>Bıçakların kontrol edilmesi sayfada: 444.</i> Hasarlıysa bıçağı değiştirin.
Bıçak kolayca kesmiyor.	Bıçak keskin değil veya hasarlı.	Bıçağı bileyeyin, bkz. <i>Bıçakların kontrol edilmesi sayfada: 444.</i> Hasarlıysa bıçağı değiştirin.
Bıçak ısınıyor.	Bıçaklar arasında sürtünme var.	Bıçaktaki çapakları temizleyin ve bıçağı yağlayın. Bkz. <i>Bıçakların kontrol edilmesi sayfada: 444.</i>

Taşıma, depolama ve atma

Taşıma ve saklama

- Depolamadan önce mutlaka ürünün soğumasını bekleyin.
- Ürün ile yakıtı taşımak ve saklamak için sızıntı veya duman olmadığından emin olun. Örneğin, elektrikli cihazlardan veya kazanlardan kaynaklanan kıvılcım veya açık alevler yangın çıkarabilir.
- Yakıtı taşımak ve saklamak için her zaman onaylı kaplar kullanın.
- Taşımadan veya uzun süreli depolamadan önce yakıtı boşaltın. Yakıtı uygun bir çöp atma merkezinde bertaraf edin.
- Taşıma ve saklama sırasında taşıma siperliğini takın.
- Buji kapağını bujiden çıkartın.
- Ürünü taşıma sırasında takın. Oynamadığından emin olun.
- Uzun süre için depoya kaldırmadan önce ürünü temizleyip bakımını yapın.

Atma

- Yerel gerekliliklere ve geçerli düzenlemelere uyun.
- Motor yağı veya yakıt gibi kimyasalları servis merkezinde veya uygun bir atık noktasında atın.

- Ürünü onaylı bir atık konumunda atın veya atılmak üzere McCULLOCH'ya gönderin.

Teknik veriler

Teknik veriler

Teknik veriler	SUPERLITE 4528	ERGOLITE 6028
Motor		
Silindir hacmi, cm ³	21,7	21,7
Rölanti, dev/dak	2800	2800
Önerilen maksimum devir, dev/dak	9000	9000
ISO 8893'e göre maksimum motor gücü, kW / dev/dak	0,6/7800	0,6/7800
Katalitik konvertör susturucusu	Evet	Evet
Ateşleme Sistemi		
Buji	HQT-4 672201	HQT-4 672201
Elektrot boşluğu, mm	0,5	0,5
Yakıt		
Yakıt deposu kapasitesi, l	0,3	0,3
Ağırlık		
Ağırlık, kg	4,8	5,0
Gürültü emisyonu ⁷⁹		
Ses gücü düzeyi, ölçülmüş dB (A)	100	100
Ses gücü düzeyi, garantili L _{WA} dB (A)	101	101
Ses düzeyleri ⁸⁰		
EN ISO 10517 uyarınca ölçülen ve operatörün kulağında oluşan eşdeğer ses basıncı düzeyi, dB(A)	93	93
Titreşim düzeyleri ⁸¹		
EN ISO 10517 uyarınca tutma yerlerinde ölçülen eşdeğer titreşim düzeyleri (a _{hv,eq}), m/sn ² :		
Ön/Arka, mm/sn ²	3,5/4,4	4,1/5,2
Bıçaklar		
Tip	Çift taraflı	Çift taraflı

⁷⁹ 2000/14/AT sayılı AT direktifi uyarınca ses gücü (L_{WA}) olarak çevrede ölçülen gürültü emisyonu düzeyi. Ürün için bildirilen ses gücü düzeyi, en yüksek düzeyi veren orijinal kesme ataşmanıyla ölçülmüştür. Garantili ve ölçülmüş ses gücü arasındaki fark, garantili ses gücünün 2000/14/AT sayılı Direktif doğrultusunda ölçüm sonucundaki dağılımı ve aynı modelden farklı ürünler arasındaki değişimleri de içermesidir.

⁸⁰ Ses basıncı düzeyi için bildirilen verilerdeki tipik istatistik dağılım (standart sapma) 1 dB (A) şeklindedir.

⁸¹ Titreşim düzeyi için bildirilen verilerin tipik istatistik dağılımı (standart sapması) 1 m/sn² şeklindedir.

Teknik veriler	SUPERLITE 4528	ERGOLITE 6028
Kesme uzunluđu, mm	450	590
Kesme hızı, kesme/dak	4050	4050

AT Uyumluluk Bildirimi



www.mcculloch.com

Original instructions
Bruksanvisning i original
Originale instruktioner
Originale instruksjoner
Alkuperäiset ohjeet
Originalanweisungen
Instructions d'origine
Originele instructies
Instrucciones originales
Instruções originais
Istruzioni originali
Originaaljuhend
Lietošanas pamācība
Originalios instrukcijos

Původní pokyny
Pôvodné pokyny
Eredeti útmutatás
Originalne instrukcije
Originalne upute
Оригинальные инструкции
Оригинални инструкции
Instrucțiuni inițiale
Αρχικές οδηγίες
Originalna uputstva
Originalna uputstva
Izvirna navodila
Orijinal talimatlar

1143012-38



2022-03-17