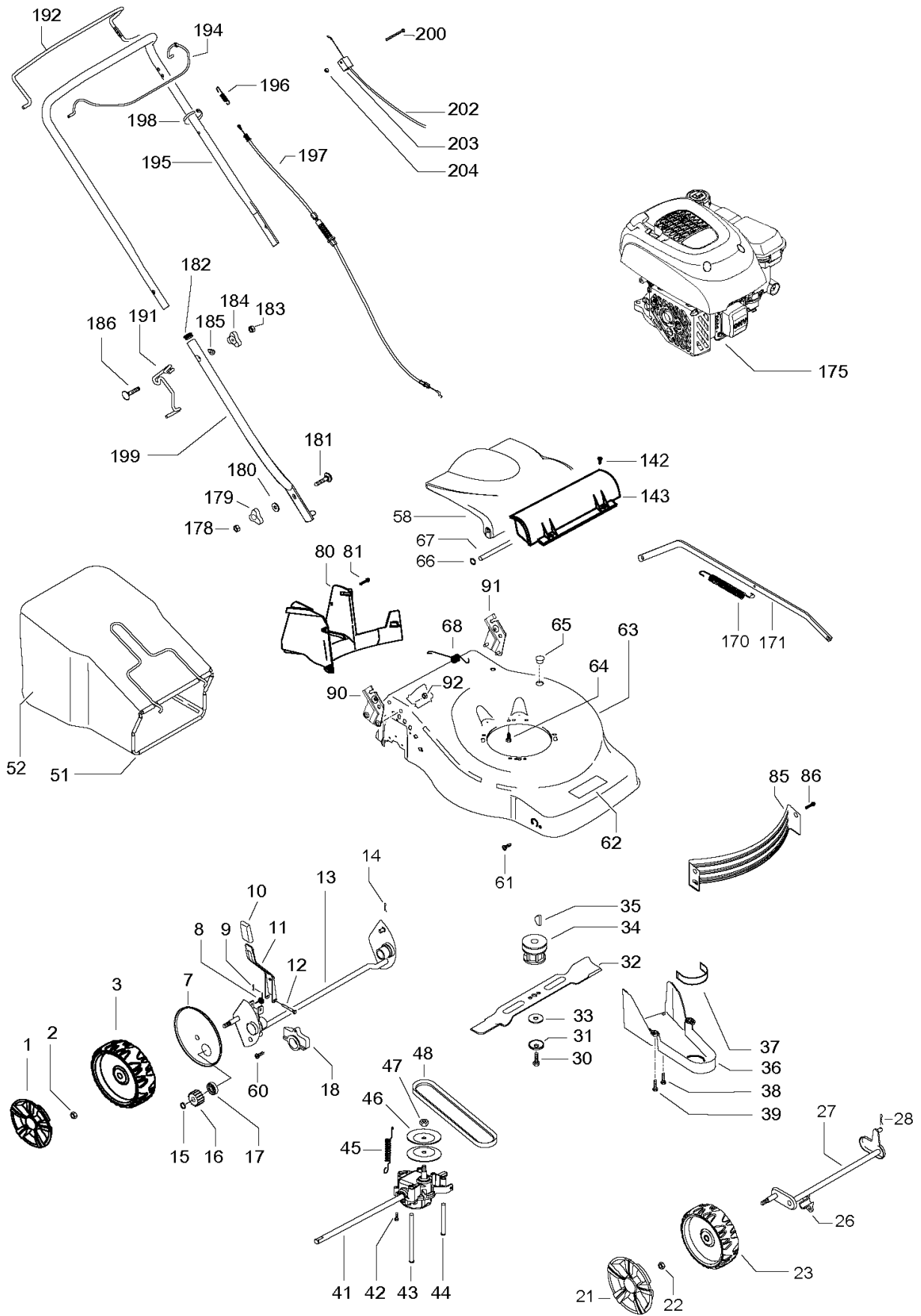




SPARE PARTS LIST

LAWN MOWERS: CONSUMER
WALK-BEHINDS

M46-125 R Classic+, 96768370101,
2019-03



PRODUCT COMPLETE

M46-125 R Classic+, 96768370101, 2019-03

Ref	Part No	Description	Remark	QTY KIT
1	574 39 65-01	HUB CAP	d.210	2
2	504 85 78-01	NUT	M8, self locking, flanged	2
3	574 41 52-04	WHEEL	d.210	2
7	504 82 73-01	DUST COVER		2
8	583 95 13-02	SPRING		1
9	531 20 74-08	PIN RETAINING SCREW		1
10	574 61 05-01	KNOB		1
11	582 75 93-01	LEVER ASSY		1
12	587 19 82-01	PIN		1
13	596 81 62-01	REAR AXLE		1
14	531 20 66-53	PIN		1
15	531 20 87-72	WASHER		2
16	582 70 17-01	PINION		2
17	531 20 87-78	BEARING		2
18	531 20 59-44	SUPPORT		2
21	574 39 64-01	HUB CAP	d.190	2
22	504 85 78-01	NUT	M8, self locking, flanged	2
23	574 41 50-04	WHEEL	d.190	2
26	577 38 42-01	SUPPORT		2
27	504 85 65-01	FRONT AXLE ASSY		1
28	531 20 66-53	PIN		1
30	531 20 80-08	SCREW	3/8"	1
31	531 20 72-37	WASHER		1
32	581 18 89-10	MOWER BLADE		1
33	531 20 72-43	WASHER		1
34	581 84 30-01	BLADE SUPPORT		1
35	505 29 09-01	KEY		1
36	589 02 31-01	GUARD		1
37	501 18 90-02	BELT GUIDE		1
38	817 41 13-12	SCREW		1
39	531 20 78-56	SCREW	5x10	2
41	544 34 32-03	GEARBOX		1
42	510 03 75-01	SCREW	4x16, self threading	2
43	544 93 44-01	BELT GUIDE		1
44	544 93 43-01	BELT GUIDE		1
45	544 93 47-01	SPRING		1
46	504 54 79-01	PULLEY		2
47	504 54 80-01	NUT		1
48	504 03 48-01	BELT	Z28 10X710	1
51	582 51 82-01	BAG FRAME		1
52	583 79 83-03	GRASS BAG ASSY		1
58	574 61 02-01	HATCH		1
60	531 20 66-77	SCREW		2
61	525 43 31-01	SCREW	4x16, self threading	4
62	581 02 17-01	DECAL	McCulloch	1
63	582 89 04-02	CHASSIS		1
64	532 15 04-06	BOLT	3/8"	3
65	597 01 75-01	PLUG		1
66	584 81 69-03	LOCKWASHER		2
67	531 20 50-60	SHAFT		1
68	531 20 59-99	SPRING		1
80	597 00 09-01	BAFFLE		1
81	589 81 44-01	SCREW		5
85	589 00 87-01	BAFFLE		1
86	817 00 05-10	BOLT		2
90	582 74 98-02	HANDLE BRACKET	right	1
91	582 74 67-02	HANDLE BRACKET	left	1
92	596 72 80-01	NUT	M8	4
142	576 13 60-06	SCREW		2
143	579 30 09-01	SEAL		1
170	579 24 53-02	SPRING		1
171	580 96 33-01	ROD		1
175	N/A	TBD	engine, B&S 08P5020085H5	1
178	531 20 79-82	NUT	M8	2

PRODUCT COMPLETE

M46-125 R Classic+, 96768370101, 2019-03

Ref	Part No	Description	Remark	QTY KIT
179	531 20 49-23	WING NUT		2
180	531 20 49-22	WASHER		2
181	531 20 49-21	SCREW	M8x25	2
182	531 20 89-50	PLUG		2
183	531 20 79-82	NUT	M8	2
184	531 20 49-23	WING NUT		2
185	531 20 70-90	WASHER		2
186	531 20 70-89	SCREW	M8x50	2
191	504 70 86-01	HOOK		1
192	504 70 84-01	HANDLE		1
194	504 70 83-04	HANDLE		1
195	504 70 80-01	HANDLE	upper half	1
196	580 76 19-01	SPRING		1
197	544 90 80-01	CABLE		1
198	531 20 55-81	CLIP		2
199	531 20 60-71	HANDLE	lower half	2
200	580 83 36-01	SCREW EHHM	M5x40	1
202	582 19 21-02	CABLE ASSY		1
203	531 21 26-89	CASING		1
204	581 55 12-01	HEXAGON LOCKING NUT		1