



McCULLOCH®



Li 58HT

Contents

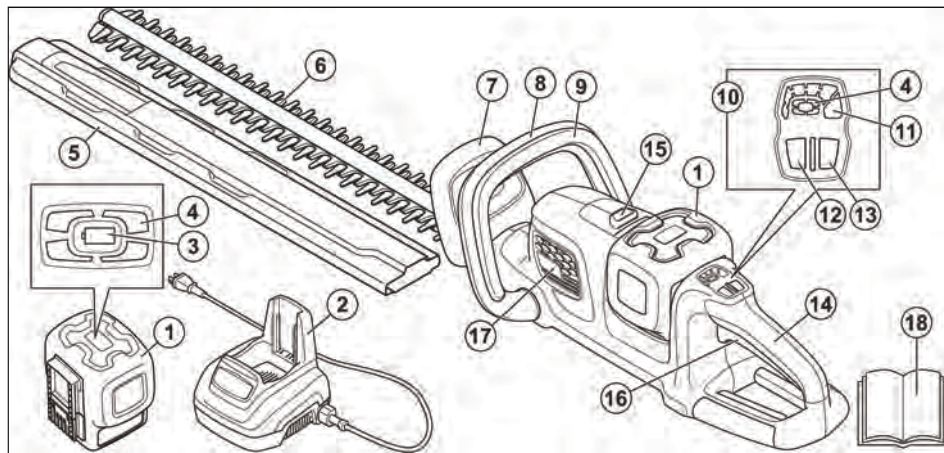
| | | | |
|-------------------|---|---|----|
| INTRODUCTION..... | 2 | TROUBLESHOOTING..... | 8 |
| SAFETY..... | 3 | TECHNICAL DATA..... | 9 |
| OPERATION..... | 6 | CONTENTS OF THE EC DECLARATION OF CONFORMITY..... | 10 |
| MAINTENANCE..... | 7 | | |

INTRODUCTION

Operator's manual

The initial language of this operator's manual is English. Operator's manuals in other languages are translations from English.

Overview



1. Battery pack
2. Battery charger
3. Battery status button
4. Battery state of charge LED
5. Blade guard
6. Blades
7. Hand guard
8. Front handle
9. Front lockout
10. Digital control center
11. Power meter
12. Boost button
13. Power button
14. Rear handle
15. Battery release button
16. Trigger
17. Electrical powerhead

18. Operator's manual

Symbols on the product



Warning



Read this manual



Use approved head protection



Use approved hearing protection



Use approved eye protection



Use approved protective boots and gloves



Wear long sleeves and trousers



DANGER - Keep hands away from blade.



Electrical shock



Guaranteed sound power level



The product or packaging cannot be handled as domestic waste. The product and packaging must be submitted to an appropriate recycling station for the recovery of electrical and electronic equipment.



Do not leave, store or use in the rain or in wet conditions.



Recycle

Note: Other symbols/decals on the product refer to certification requirements for other commercial areas.

Product liability

As referred to in the product liability laws, we are not liable for damages that our product causes if:

- the product is incorrectly repaired.
- the product is repaired with parts that are not from the manufacturer or not approved by the manufacturer.
- the product has an accessory that is not from the manufacturer or not approved by the manufacturer.
- the product is not repaired at an approved service center or by an approved authority.

SAFETY

Safety definitions

The definitions below give the level of severity for each signal word.



WARNING: Injury to persons.



CAUTION: Damage to the product.

Note: This information makes the product easier to use.

General power tool safety warnings



WARNING: Read all safety warnings and all instructions. Failure to follow the warnings and instructions may result in electric shock, fire and/or serious injury.

Save all warnings and instructions for future reference.

The term "power tool" in the warnings refers to your mains-operated (corded) power tool or battery-operated (cordless) power tool.

Work area safety

- **Keep work area clean and well lit.** Cluttered or dark areas invite accidents.
- **Do not operate power tools in explosive atmospheres, such as in the presence of flammable liquids, gases or dust.** Power tools create sparks which may ignite the dust or fumes.
- **Keep children and bystanders away while operating a power tool.** Distractions can cause you to lose control.

Electrical safety

- **Power tool plugs must match the outlet. Never modify the plug in any way. Do not use any adapter plugs with earthed (grounded) power tools.** Unmodified plugs and matching outlets will reduce risk of electric shock.
- **Avoid body contact with earthed or grounded surfaces, such as pipes, radiators, ranges and refrigerators.** There is an increased risk of electric shock if your body is earthed or grounded.

- **Do not expose power tools to rain or wet conditions.** Water entering a power tool will increase the risk of electric shock.
- **Do not abuse the cord. Never use the cord for carrying, pulling or unplugging the power tool. Keep cord away from heat, oil, sharp edges or moving parts.** Damaged or entangled cords increase the risk of electric shock.
- **When operating a power tool outdoors, use an extension cord suitable for outdoor use.** Use of a cord suitable for outdoor use reduces the risk of electric shock.
- **If operating a power tool in a damp location is unavoidable, use a ground fault circuit interrupter (GFCI) protected supply.** Use of a GFCI reduces the risk of electric shock.
- **Disconnect the plug from the power source and/or the battery pack from the power tool before making any adjustments, changing accessories, or storing power tools.** Such preventive safety measures reduce the risk of starting the power tool accidentally.
- **Store idle power tools out of the reach of children and do not allow persons unfamiliar with the power tool or these instructions to operate the power tool.** Power tools are dangerous in the hands of untrained users.
- **Maintain power tools. Check for misalignment or binding of moving parts, breakage of parts and any other condition that may affect the power tool's operation. If damaged, have the power tool repaired before use.** Many accidents are caused by poorly maintained power tools.

Personal safety

- **Stay alert, watch what you are doing and use common sense when operating a power tool. Do not use a power tool while you are tired or under the influence of drugs, alcohol or medication.** A moment of inattention while operating power tools may result in serious personal injury.
- **Use personal protective equipment. Always wear eye protection.** Protective equipment such as dust mask, non-skid safety shoes, hard hat, or hearing protection used for appropriate conditions will reduce personal injuries.
- **Prevent unintentional starting. Ensure the switch is in the off-position before connecting to power source and/or battery pack, picking up or carrying the tool.** Carrying power tools with your finger on the switch or energising power tools that have the switch on invites accidents.
- **Remove any adjusting key or wrench before turning the power tool on.** A wrench or a key left attached to a rotating part of the power tool may result in personal injury.
- **Do not overreach. Keep proper footing and balance at all times.** This enables better control of the power tool in unexpected situations.
- **Dress properly. Do not wear loose clothing or jewellery. Keep your hair, clothing and gloves away from moving parts.** Loose clothes, jewellery or long hair can be caught in moving parts.
- **If devices are provided for the connection of dust extraction and collection facilities, ensure these are connected and properly used.** Use of dust collection can reduce dust-related hazards.

Power tool use and care

- **Do not force the power tool. Use the correct power tool for your application.** The correct power tool will do the job better and safer at the rate for which it was designed.
- **Do not use the power tool if the switch does not turn it on and off.** Any power tool that cannot be controlled with the switch is dangerous and must be repaired.

- **Keep cutting tools sharp and clean.** Properly maintained cutting tools with sharp cutting edges are less likely to bind and are easier to control.
- **Use the power tool, accessories and tool bits etc. in accordance with these instructions, taking into account the working conditions and the work to be performed.** Use of the power tool for operations different from those intended could result in a hazardous situation.

Battery tool use and care

- **Recharge only with the charger specified by the manufacturer.** A charger that is suitable for one type of battery pack may create a risk of fire when used with another battery pack.
- **Use power tools only with specifically designated battery packs.** Use of any other battery packs may create a risk of injury and fire.
- **When battery pack is not in use, keep it away from other metal objects, like paper clips, coins, keys, nails, screws or other small metal objects, that can make a connection from one terminal to another.** Shorting the battery terminals together may cause burns or a fire.
- **Under abusive conditions, liquid may be ejected from the battery; avoid contact. If contact accidentally occurs, flush with water. If liquid contacts eyes, additionally seek medical help.** Liquid ejected from the battery may cause irritation or burns.

Service

- **Have your power tool serviced by a qualified repair person using only identical replacement parts.** This will ensure that the safety of the power tool is maintained.

Hedge trimmer safety warnings

- **Use both hands when operating the hedge trimmer.** Using one hand could cause loss of control and result in serious personal injury.
- **Keep all parts of the body away from the cutter blade. Do not remove cut material or hold material to be cut when blades are moving. Make sure the**

- **switch is off when clearing jammed material. Blades coast after turn off.** A moment of inattention while operating the hedge trimmer may result in serious personal injury.
- **Carry the hedge trimmer by the handle with the cutter blade stopped.** Proper handling of the hedge trimmer will reduce possible personal injury from the cutter blades.
- **Hold the power tool by insulated gripping surfaces only, because the cutter blade may contact hidden wiring.** Cutter blades contacting a "live" wire may make exposed metal parts of the power tool "live" and could give the operator an electric shock.
- **DANGER – Keep hands away from blade.** Contact with blade will result in serious personal injury.

Battery safety

Only use battery packs from the manufacturer and only charge them in a battery charger from the manufacturer.

The rechargeable battery packs are only used as a power supply for related cordless products. To prevent injury, the battery pack must not be used as a power source for other devices.

- Do not disassemble, open or shred battery pack.
- Do not keep battery packs in open sunlight or heat. Keep battery packs away from fire.
- Regularly examine the battery pack charger and the battery pack for damage. Damaged or changed battery packs can cause a fire, explosion or risk of injury. Do not repair or open damaged battery packs.
- Do not use a battery pack or product that is defective, changed or damaged.
- Do not change or repair products or the battery pack. Only let your approved dealer do repairs.
- Do not short circuit a cell or battery pack. Do not save battery packs in a box or drawer where they can be short circuited by other metal objects.
- Do not remove a battery pack from its initial package until necessary for operation.
- Do not mechanically shock battery packs.
- If there is a battery leak, do not let the liquid touch the skin or eyes. If you have touched the liquid, clean the area with a large quantity of water and get medical aid.
- Do not use a battery charger other than what is specified for operation with the battery pack.
- Look at the plus (+) and minus (-) marks on the battery pack and product to make sure of correct operation.
- Do not use a battery pack not made for operation with the product.
- Do not mix battery packs of a different voltage or manufacturer in a device.
- Keep battery packs away from children.
- Always purchase the correct battery packs for the product.
- Keep batteries clean and dry.

- Clean the battery pack terminals with a clean dry cloth if they become dirty.
- Secondary battery packs must be charged before use. Always use the correct battery charger and refer to the manual for correct charging instructions.
- Do not keep a battery pack on continuous charge when not in operation.
- Save the manual to refer to it in the future.
- Only use the battery pack for its necessary operation.
- Remove the battery pack from the product when not in operation.
- Keep the battery pack away from paper clips, keys, nails, screws, or other small metal objects while in operation. This can make a connection between terminals. Shorting the battery pack terminals together can cause burns or a fire.

General safety instructions

- Use the product correctly. Injury or death is a possible result of incorrect use. Only use the product for the tasks found in this manual. Do not use the product for other tasks.
- Obey the instructions in this manual. Obey the safety symbols and the safety instructions. If the operator does not obey the instructions and the symbols, injury, damage or death is a possible result.
- Do not discard this manual. Use the instructions to assemble, to operate and to keep your product in good condition. Use the instructions for correct installation of attachments and accessories. Only use approved attachments and accessories.
- Do not use a damaged product. Obey the maintenance schedule. Only do the maintenance work that you find an instruction about in this manual. An approved service center must do all other maintenance work.
- This manual cannot include all situations that can occur when you use the product. Be careful and use your common sense. Do not operate the product or do maintenance to the product if you are not sure about of the situation. Speak to a product expert, your dealer, service agent or approved service center for information.
- Remove the battery pack before you assemble the product, put the product into storage or do maintenance.
- Do not use the product if it is changed from its initial specification. Do not change a part of the product without approval from the manufacturer. Only use parts that are approved by the manufacturer. Injury or death is a possible result of incorrect maintenance.
- Do not start the product indoors or near flammable material.
- The motor makes an electromagnetic field when you use the product. The electromagnetic field can cause damage to medical implants. Speak to your

physician and medical implant manufacturer before you operate the product.

- Do not let a child operate the product. Do not let a person, without knowledge of the instructions operate the product.
- Make sure that you always monitor a person, with decreased physical capacity or mental capacity, that uses the product. A responsible adult must always be.
- Lock the product in an area that children and not approved persons cannot access.
- The product can eject objects and cause injuries. Obey the safety instructions to decrease the risk of injury or death.
- Do not go away from the product when the motor is on.
- The operator of the product is responsible if an accident occurs.
- Make sure that parts are not damaged before you use the product.
- Make sure that you are a safe distance away from other persons or animals before you use the product. Make sure that a person in adjacent area knows that you will use the product.
- Refer to national or local laws. They can prevent or decrease the operation of the product in some conditions.

Protective devices on the product

- Make sure that you regularly do the maintenance to the product.
 - The life of the product increases.

- The risk of accidents decreases.

Let an approved dealer or an approved service center regularly examine the product to do adjustments or repairs.

- Do not use a product with damaged protective equipment. If the product is damaged, speak to an approved service center.

Hand guard

The hand guard prevents hands from touching the moving blades. For example, if the operator lets go of the front handle.

- Make sure that the hand guard is attached correctly.
- Make sure that the hand guard is not damaged.

Blade guard

- Make sure that the blade guard is not damaged or twisted.
- Attach the blade guard during transportation and storage of the product.

Safety instructions for maintenance



WARNING: Incorrect maintenance can result in motor damage or injury.

The operator of the product is responsible for the performance of all necessary maintenance, as specified in the operator's manual.

Remove the battery pack before you do maintenance.

OPERATION

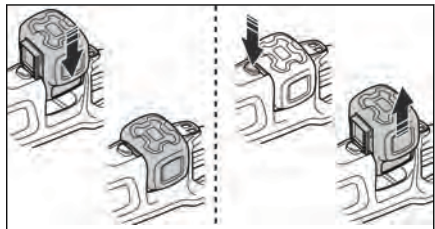


WARNING: Read and understand the safety chapter before you operate the product.

Before you start the product

- Examine the product for missing, damaged, loose or worn parts.
- Examine the nuts, screws and bolts.
- Examine the trigger for correct operation.
- Examine the power button for correct operation.

To install the battery pack



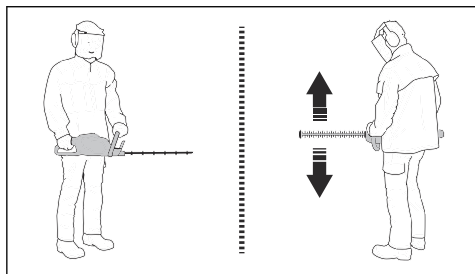
- Align the ribs of the battery pack with the mounting slots in the battery compartment. Push the battery pack into the battery compartment until you hear a click.
- To remove the battery pack, push and hold the battery release button and pull out the battery pack.

To start the motor

1. Install the battery pack. See *To install the battery pack on page 6.*

2. Press the power button until the light is on.
3. Hold the front handle with your left hand and the rear handle with your right hand. Squeeze the front lockout button.
4. Squeeze the trigger to operate.
 - Squeeze the trigger lightly for lower speed.
 - Squeeze the trigger more for higher speed.
5. Use the product.

To cut the hedge



- Move the product from the bottom up when you cut the sides.
- Point the motor away from the hedge.
- Hold the product as near to your body as possible for the correct balance.
- Make sure that the point of the blade does not touch the ground.
- Do not cut too quickly. Cut slowly and continuously until you get a good quality cut.

To change the power mode

The power mode of the product can be changed while the product is in operation. There are 2 power modes:

1. **Standard mode** - Saves energy and maximizes run time. Standard mode is applicable for most tasks.

Note: The product is set to Standard mode when started.

2. **Boost mode** - The product operates at high speed in Boost mode. Boost mode runs at maximum power for tasks that are not easy. To start Boost mode, push the Boost mode button until the light is on. To stop Boost mode, push the Boost mode button until the light is off.

Note: If the trigger is released during operation, the product starts in the last mode. If the product automatically stops, or if the operator pushes the power button, the last used mode is erased from memory. The product is set to Standard mode again when started.

Power meter

The power meter shows how much power the product uses during operation.

- LED lights 4 and 5 show the best performance and best battery efficiency.
- LED light 6 on the right side shows maximum power and the minimum battery efficiency.

Battery state of charge LED

The status of the battery pack is shown until you pull the trigger. When you release the trigger, the status of the battery pack is shown again.

The number of LEDs that are on show the current charge level of the battery pack.

| LED lights | Battery status |
|------------------------|--|
| All Green LEDs come on | Fully Charged (100% - 76%) |
| LED 1, 2 and 3 come on | The battery pack is 75% - 51% charged. |
| LED 1 and 2 come on | The battery pack is 50% - 26% charged. |
| LED 1 comes on | The battery pack is 25% - 6% charged. |
| LED 1 flashes | The battery pack is 5% - 0% charged. |

Note: If the motor stops and the power LED stays on, push the button on the battery pack. For possible solutions, see *Error codes on page 8*.

Note: When the battery pack is fully discharged, the motor stops immediately.

Note: The motor automatically stops if the battery pack or motor controller is too hot during heavy operation. Let the motor and battery pack cool. The product then resets.

MAINTENANCE



WARNING: Read and understand the safety chapter before you clean, repair or do maintenance on the product.

Daily maintenance

- Remove the battery pack. Refer to the operating instructions of the battery pack for correct maintenance.
- Examine the nuts, screws and bolts.
- Examine the trigger for correct operation.

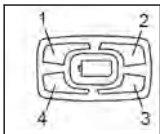
- Examine the power button for correct operation.
- Remove external unwanted material from the product with a soft brush or dry cloth. Do not clean with water, cleaning fluids, or solvents.
- Use a soft brush to remove unwanted material from the air vents.
- Examine the product for missing, damaged, loose or worn parts.
- Examine the product to make sure the moving parts align and are safe for operation.
- Lubricate the blades to prevent corrosion. The lubricant must not be poisonous or dangerous to persons, animal or plants. Make sure that the lubricant goes between the top and bottom blades.
- Attach the blade guard.
- Lock the product in an area that children and not approved persons cannot access.
- If the product is damaged, speak to an approved service center. Do not use a damaged product.

TROUBLESHOOTING

| Problem | Possible faults | Possible step |
|----------------------------|---|--|
| The product does not start | The power is off. | Start the power. See <i>To start the motor on page 6.</i> |
| | No electrical contact between the product and battery pack. | Install the battery pack correctly. See <i>To install the battery pack on page 6.</i> |
| | The battery pack is not charged. | Charge the battery pack. See the operator's manual for the battery pack. |
| | The battery pack or product are too hot. | Let the battery pack and product cool down before you start the product. |
| | The battery pack or product are too cold. | Let the battery pack and product become warm before you start the product. |
| | Motor controller is too hot. | Let the battery pack and product cool down for a minimum of 1 hour before you start the product. |
| Blades do not move | Blades are blocked | Remove unwanted material |

Error codes

The error codes help you do troubleshooting on the battery pack and/or the battery charger while it charges.



Note: Look at the battery state of charge LED with the ribs of the battery pointed up to see the correct orientation of the LED lights.

| LED screen | Possible faults | Possible steps |
|---|------------------------------|--|
| LED 1 is red and LED 4 is green, battery pack does not charge or operate correctly in product | Internal fuse is blown | Speak to an approved service center. |
| LED 1 is red | Irregular cell voltage | Speak to an approved service center. |
| LED 4 is green | Battery pack is over-charged | Remove the battery pack from the battery charger and install in the product. Operate the product. Battery charger may be defective. Speak to an approved service center. |

| LED screen | Possible faults | Possible steps |
|---|--|---|
| LED 1 is red and LED 2 is green, battery pack does not charge or operate correctly in product | Battery pack failure | Remove battery pack from the product. Do not charge. Battery pack is damaged and must be replaced. Speak to an approved service center. |
| RED LED comes on, LED 2 is green and flashes during charging or when the battery pack is in the battery charger | Internal battery temperature is too low or too high for charging | Move the battery charger and battery pack to a location where the internal temperature of the battery pack can be between 5°C (41°F) and 45°C (113°F). |
| RED LED flashes and LED 2 flashes green when the battery pack is installed. | Internal battery temperature is too low or too high | <p>The internal temperature in the battery must be between -15°C (5°F) and 70°C (158°F). The environment temperature in the battery pack is too low or too high.</p> <ul style="list-style-type: none"> If the battery pack is too cold from the ambient environment, move the battery pack and battery charger to a warm environment. If the battery pack is too hot, especially after operation, move the battery pack and battery charger away from the hot environment. |

TECHNICAL DATA

| | unit | LI 58HT (BHT58VPR) |
|--|------------------|--------------------|
| Motor specifications | | |
| Motor type | | Brushless |
| Motor voltage | V (DC) | 58 |
| Motor power | W | 400 |
| Battery and charger specifications | | |
| Default battery pack type | | Li 582.6A |
| Default battery charger type | | Li 58V 2.5CGR |
| Noise and vibration data | | |
| Equivalent vibration level (ahv, eq) front handle. See Note 1. | m/s ² | 2.865 |
| Equivalent vibration level (ahv, eq) rear handle. See Note 1. | m/s ² | 3.321 |
| Sound power level, guaranteed (LWA). See Note 2. | dB(A) | 95 |
| Sound power level, measured. See Note 2. | dB(A) | 93 |
| Sound pressure level at operator's ear. See Note 3. | dB(A) | 82 |
| Blade specifications | | |
| Blade speed (standard / boost) | min ¹ | 1400 / 1900 |
| Blade length | cm (in) | 55 (21.6) |

| | | |
|---------------------------|-------------|---------------------------|
| | unit | Li 58HT (BHT58VPR) |
| Cutting capacity | mm (in) | 19 (0.75) |
| Product dimensions | | |
| Weight (without battery) | kg (lb) | 3.66 (8.1) |

Note 1: Reported data for equivalent vibration level has a typical statistical dispersion (standard deviation) of 1.5 m/s².

Note 2: Noise emissions in the environment measured as sound power (LWA) in conformity with EC directive 2000/14/ EC. Reported sound power level for the machine has been measured with the original cutting attachment that gives the highest level. The difference

between guaranteed and measured sound power is that the guaranteed sound power also includes dispersion in the measurement result and the variations between different machines of the same model according to Directive 2000/14/EC.

Note 3: Reported data for equivalent sound pressure level for the machine has a typical statistical dispersion (standard deviation) of 3 dB (A).

CONTENTS OF THE EC DECLARATION OF CONFORMITY

We, Husqvarna AB, SE 561 82 Huskvarna, SWEDEN, declare under our sole responsibility that the represented product:

| Description | Hedge Trimmer |
|-------------------------|---|
| Brand | McCulloch |
| Platform / Type / Model | Platform BHT58VPR, representing model Li 58HT |
| Batch | Serial number dating 2017 and onwards |

The certificate, as provided on the signed EC Declaration of Conformity, is applicable to all manufacturing locations and Countries of Origin, as stated on the product.

The supplied hedge trimmer conforms to the example that underwent examination.

On behalf of Husqvarna AB, SE 561 82 Huskvarna, SWEDEN, 2017-12-04

John Thompson, Product and Marketing Director
Responsible for technical documentation

complies fully with the following EU directives and regulations:

| Directive/Regulation | Description |
|----------------------|---|
| 2006/42/EC | "relating to machinery" |
| 2014/30/EU | "relating to electromagnetic compatibility" |
| 2000/14/EC | "relating to outdoor noise" |
| 2011/65/EU | "relating to hazardous substances" |

Harmonized standards and/or technical specifications applied are as follows: EN 60745-1, EN 60335-1, EN 60745-2-15, EN 62233, EN 55014-1, EN 55014-2

In accordance with directive 2000/14/EC, Annex V, the declared sound values are stated in the technical data section of this manual and in the signed EC Declaration of Conformity.

TUV Rheinland has carried out a voluntary examination on behalf of Husqvarna AB, providing a Certificate of conformity to EC Council directive 2006/42/EC for machinery.



www.mcculloch.com



Original instructions