



OPERATOR'S MANUAL **EN**
(EN-US)

McCULLOCH Robotic Mower
ROB R600 & ROB R1000

Please read the Operator's Manual carefully and make sure you understand the instructions before using the robotic lawnmower.



IMPORTANT INFORMATION!

Keep in mind that the operator is responsible for accidents or hazards occurring to other people or their property.

Keep the Operator's manual in a safe way for future reference!

This appliance is not intended for use by persons (including children) with reduced physical, sensory or mental capabilities, or lack of experience and knowledge, unless they have been given supervision or instruction concerning use of the appliance by a person responsible for their safety. Children should be supervised to ensure that they do not play with the appliance.

This appliance can be used by children aged from 8 years and above and persons with reduced physical, sensory or mental capabilities or lack of experience and knowledge if they have been given supervision or instruction concerning use of the appliance in a safe way and understand the hazards involved.

Children shall not play with the appliance. Cleaning and user maintenance shall not be made by children without supervision.

Never connect the power supply to a outlet if plug or cord is damaged. Damaged or entangled cord increase the risk of electric shock.

Only charge the battery in the included charging station. Incorrect use may result in electric shock, overheating or leaking of corrosive liquid from the battery. In the event of leakage of electrolyte flush with water/neutralizing agent, seek medical help if it comes in contact with the eyes.

Use only original batteries recommended by the manufacturer. Product safety cannot be guaranteed with other than original batteries.

Do not use non-rechargeable batteries.

The appliance must be disconnected from the supply mains when removing the battery.

MEMO

Serial number: _____

PIN code: _____

Product registration key: _____

The Product Registration Key is a valuable document and must be stored in a safe place. This key is necessary for example to register the product on McCULLOCH's website or to unlock the robotic lawnmower in the event of a lost PIN code. The product registration key is provided in a separate document in the product packaging.

If the robotic lawnmower is stolen, it is important to notify McCULLOCH of this. Contact your local McCULLOCH representative and provide the robotic lawnmower's serial number and product registration key so that it can be registered as stolen in an international database. This is an important step in the robotic lawnmower's theft protection which reduces interest in the buying and selling of stolen mowers.

Always have the robotic lawnmower's serial number at hand when you contact your local McCULLOCH representative, as this will provide you with faster support.

McCULLOCH

www.mcculloch.com/us

Helpline number 1-800-849-1297

Contents

Introduction

Product description.....	3
Product overview.....	5
Symbols on the product.....	6

Safety

Safety definitions.....	6
General safety instructions.....	6
Safety instructions for operation.....	7

Installation

Presentation.....	8
Preparations.....	10
Charging station.....	10
Charging the battery.....	13
Boundary wire.....	13
Connecting the boundary wire.....	18
Installation of the guide wire.....	18
Checking the installation.....	21
First start-up and calibration.....	21
Test docking with the charging station.....	21
Control panel.....	21
Main menu.....	22
Timer.....	23
Installation - ROB R1000.....	25
Security.....	26
Settings.....	27
Garden examples.....	29

Operation

Operation selection.....	32
Charging a flat battery.....	33
Timer and Standby.....	33
Starting.....	34
Stopping.....	34
Switching off	35
Adjusting the cutting height.....	35

Maintenance

Introduction - maintenance.....	35
Cleaning.....	35
Replacing the blades.....	36
Replacing the battery.....	36

Troubleshooting

Introduction - troubleshooting.....	37
Messages.....	37
Indicator lamp in the charging station.....	40
Symptoms.....	41
Finding breaks in the loop wire.....	43

Transportation, storage and disposal

Transportation.....	44
Winter storage.....	44
After winter storage.....	45
Environmental information.....	45

Technical data

Technical data.....	45
---------------------	----

Warranty

Guarantee terms.....	47
----------------------	----

Introduction

Product description

Congratulations on your choice of an exceptionally high quality product. To get the best results from your McCULLOCH robotic lawnmower requires knowledge of how it works. This Operator's Manual contains important information about the robotic lawnmower, how it must be installed and how to use it.

As a complement to this Operator's Manual, there are information movies with instructions available on the McCULLOCH's website, www.mcculloch.com.

Keep in mind that the operator is responsible for accidents or hazards occurring to other people or their property.

McCULLOCH has a policy of continuous product development and therefore reserves the right to modify the design, appearance and function of products without prior notice.

Capacity

The robotic lawnmower is recommended for lawn sizes up to maximum capacity listed in the *Technical data on page 45*.

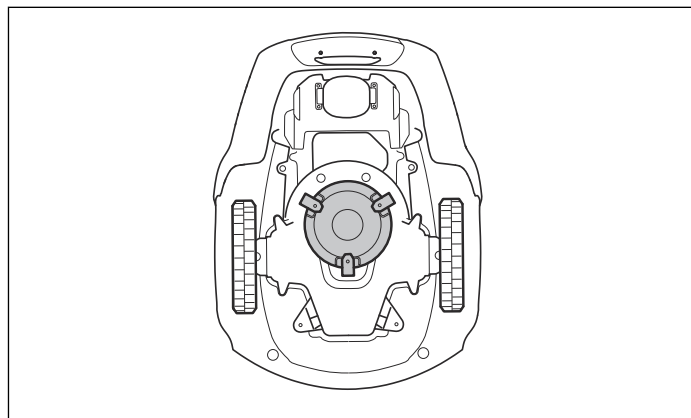
How big an area the robotic lawnmower can keep cut depends primarily on the condition of the blades and the type, growth and moisture of the grass. The shape of the garden is also significant. If the garden mainly consists of open lawn areas, the robotic lawnmower can mow more per hour than if the garden consists of several small lawns separated by trees, flower beds and passages.

A fully charged robotic lawnmower mows for 60 to 80 minutes, depending on the age of the battery and how thick the grass is. Then the robotic lawnmower will charge for 50 to 60 minutes. The charging time can vary depending on, among other factors, the ambient temperature.

Mowing technique

The robotic lawnmower's mowing system is based on an efficient and energy saving principle. Unlike many standard lawnmowers, the robotic lawnmower cuts the grass instead of knocking it off.

It is recommended to allow the robotic lawnmower to mainly mow in dry weather to obtain the best possible result. The robotic lawnmower can also mow in the rain, however, wet grass easily sticks on the robotic lawnmower and there is a greater risk of slipping on steep slopes.



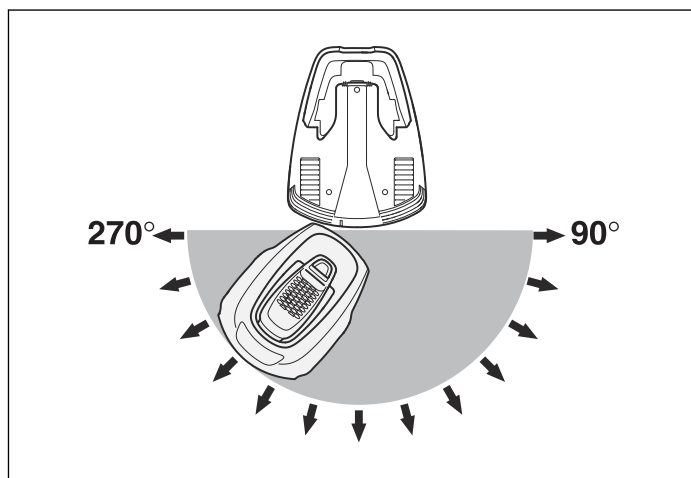
The blades must be in good condition to obtain the best mowing result. In order to keep the blades sharp for as long as possible it is important to keep the lawn free from branches, small stones and other objects.

Replace the blades regularly for the best mowing result. It is very easy to replace the blades. See *Replacing the blades on page 36*.

Working method

The robotic lawnmower automatically mows the lawn. It continuously alternates between mowing and charging.

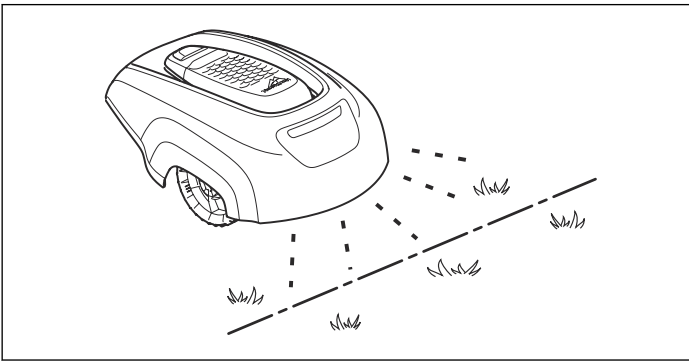
When the battery is fully charged, the robotic lawnmower leaves the charging station in a randomly selected direction within the 90°-270° exit sector.



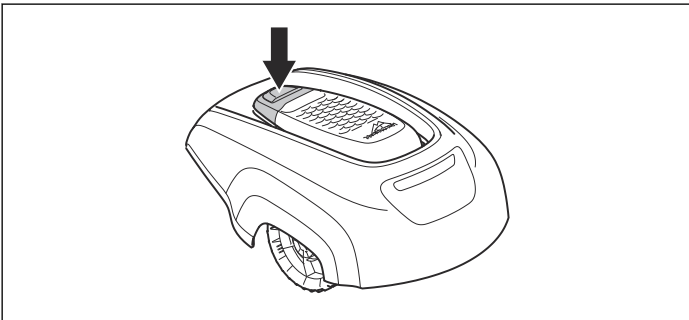
To ensure an even cut, even in inaccessible parts of the garden, the robotic lawnmower can follow the guide wire out from the charging station to where the guide wire connects to the boundary wire to begin mowing there.

When the robotic lawnmower body hits an obstacle, the robotic lawnmower reverses and selects a new direction.

Two sensors, one on the front and one on the back of the robotic lawnmower, will sense when the robotic lawnmower is approaching the boundary wire. The robotic lawnmower overruns the wire by up to 28 cm / 11" before it turns back.



The **STOP** button on the top of the robotic lawnmower is mainly used to stop the robotic lawnmower when it is running. When the **STOP** button is pressed a hatch opens, behind which there is a control panel. The **STOP** button remains pressed in until the hatch is closed again. This acts as a start inhibitor.

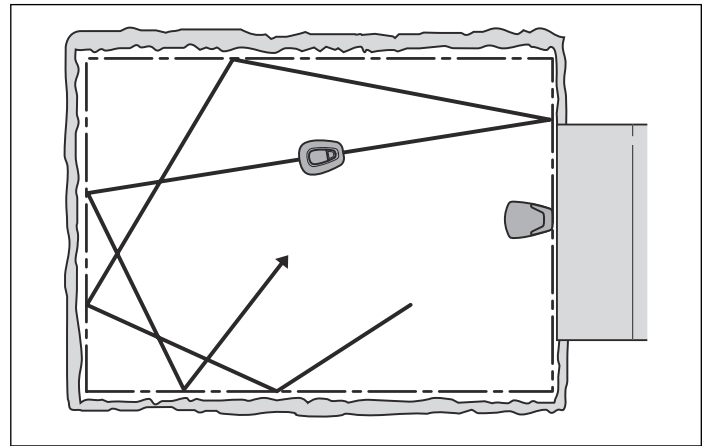


The control panel on the top of the robotic lawnmower is where you manage all the robotic lawnmower settings. Open the control panel hatch by pressing down the **STOP** button.

When the main switch is set to position 1 for the first time, a start-up sequence begins which includes language selection, time format, date format and the four-digit PIN code and setting the time and date. See *First start-up and calibration on page 21*.

Movement pattern

The robotic lawnmower's movement pattern is irregular and is determined by the robotic lawnmower itself. A movement pattern is never repeated. With the mowing system the lawn is mown equally without any mowing lines from the robotic lawnmower.

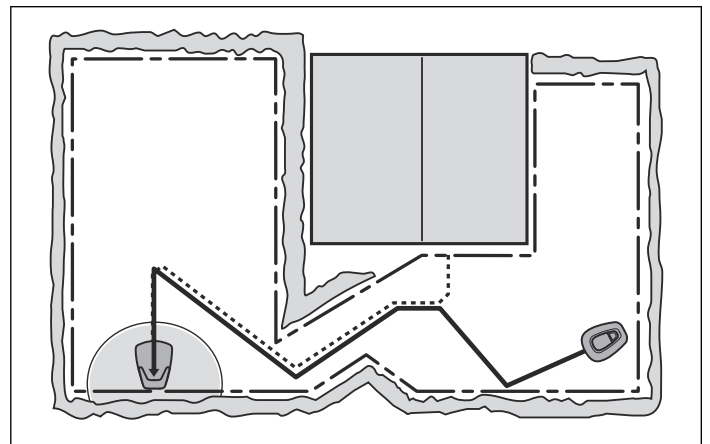


Search method

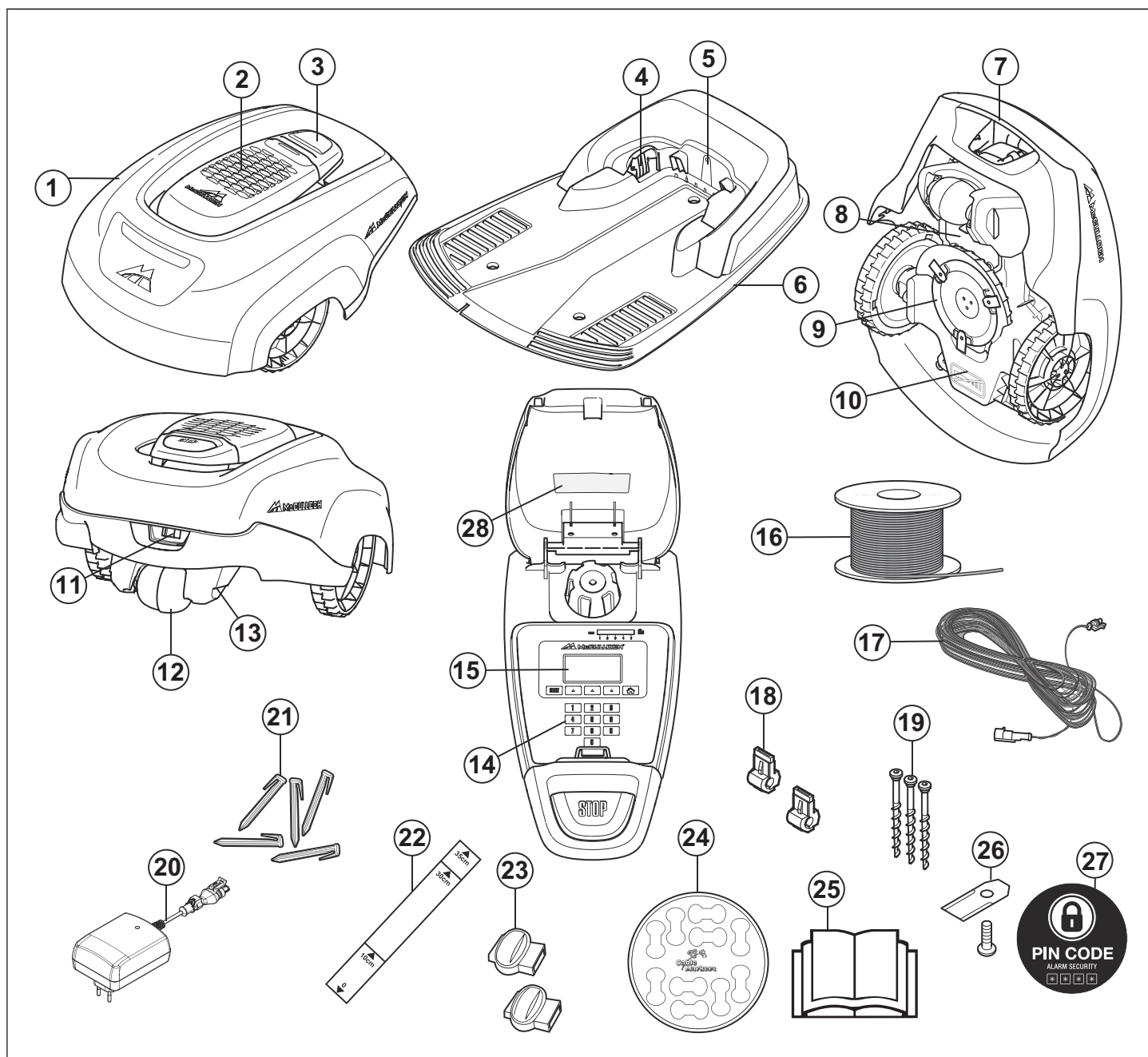
The guide wire is a wire that is laid from the charging station towards, for instance, a remote part of the working area or through a narrow passage to be then connected with the boundary wire. For more information, see *Installation of the guide wire on page 18*.

The robotic lawnmower starts to search for the charging station when the battery charge becomes too low. The robotic lawnmower does not mow when it is searching for the charging station.

When the robotic lawnmower searches for the charging station, it first searches irregularly for the guide wire. Then it follows the guide wire to the charging station, turns around just in front of the station and backs into it.



Product overview



The numbers in the illustration represent:

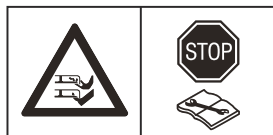
- | | |
|--|---|
| 1. Body | 16. Loop wire for boundary loop and guide wire |
| 2. Cover to display, keypad and cutting height adjustment | 17. Low voltage cable |
| 3. Stop button/Catch to open the cover | 18. Connector for connecting the loop wire to the charging station |
| 4. Contact strips | 19. Screws for securing the charging station |
| 5. LED for operation check of the charging station, boundary wire and guide wire | 20. Power supply (the appearance of the power supply may differ depending on market) |
| 6. Charging station | 21. Staples |
| 7. Carry handle | 22. Measurement gauge for help when installing the boundary wire (the measurement gauge is broken loose from the box) |
| 8. Battery cover | 23. Coupler for the loop wire |
| 9. Blade disc | 24. Cable markers |
| 10. Chassis box with electronics, battery and motors | 25. Operator's Manual and Quick Guide |
| 11. Main switch | 26. Extra blades |
| 12. Rear wheel | 27. Alarm decal |
| 13. Charging strip | 28. Rating plate |
| 14. Keypad | |
| 15. Display | |

Symbols on the product

These symbols can be found on the robotic lawnmower. Study them carefully.



Please read the Operator's Manual carefully and make sure you understand the instructions before using the robotic lawnmower. The warnings and safety instructions in this Operator's Manual must be carefully followed if the robotic lawnmower is to be used safely and efficiently.



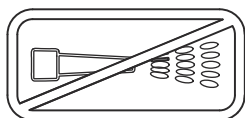
The robotic lawnmower can only start when the main switch is set to 1 and the correct PIN code has been entered. Turn the main switch to 0 before carrying out any inspections and/or maintenance.



Remain at a safe distance from the robotic lawnmower when it is running. Keep your hands and feet away from the rotating blades.



Never put your hands or feet close to or under the body when the robotic lawnmower is running. Do not ride on the robotic lawnmower.



Never use a high-pressure washer or even running water to clean the robotic lawnmower.



Lock function



This product conforms to the applicable EC Directives.



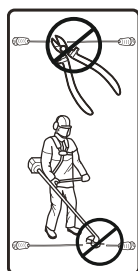
Noise emission to surroundings. The product's emissions are set out in *Technical data on page 45* and on the rating plate.



It is not permitted to dispose this product as normal household waste when it has reached the end of its useful life. Ensure that the product is recycled in accordance with local legal requirements.



The chassis contains components which are sensitive to electrostatic discharge (ESD). The chassis is also a significant part of the robotic lawnmower's design and must be resealed in a professional manner. For this reason the chassis can only be opened by authorized service technicians. A broken seal can result in the entire or parts of the guarantee no longer being valid.



The low voltage cable must not be shortened, extended or spliced.

Do not use a trimmer nearby the low voltage cable. Be careful when trimming edges where the cables are placed.

Safety

Safety definitions

The warnings are graded in three levels.



WARNING Used if there is a risk of serious injury or death for the operator or damage to the surroundings if the instructions in the manual are not followed.



CAUTION Used if there is a risk of injury to the operator or damage to the surroundings if the instructions in the manual are not followed.

Note Used if there is a risk of damage to the product or other materials if the instructions in the manual are not followed.

General safety instructions



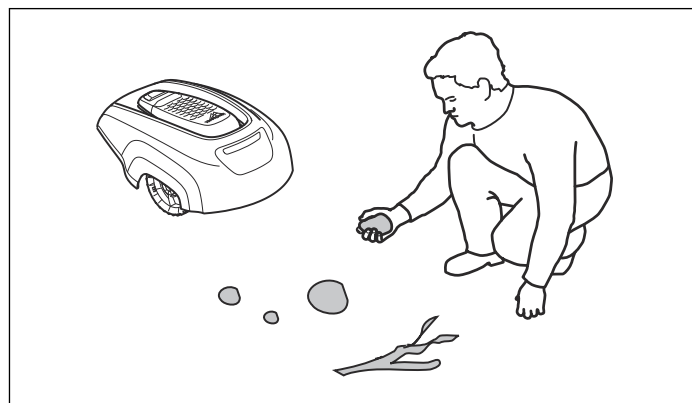
The following system is used in the Operator's Manual to make it easier to use:

- Text written in *italics* is a text that is shown on the robotic lawnmower's display or is a reference to another section in the Operator's Manual.
- Words written in **bold** are one of the buttons on the robotic lawnmower's keypad.
- Words written in *UPPERCASE* and *italics* refer to the position of the main switch and the different operating modes available in the robotic lawnmower.



WARNING Please read the Operator's Manual carefully and make sure you understand the instructions before using the robotic lawnmower. Keep the Operator's manual in a safe way for future reference!

This appliance is not intended for use by persons (including children) with reduced physical, sensory or mental capabilities, or lack of experience and knowledge, unless they have been given supervision or instruction concerning use of the appliance by a person responsible for their safety. Children should be supervised to ensure that they do not play with the appliance.



WARNING This appliance can be used by children aged from 8 years and above and persons with reduced physical, sensory or mental capabilities or lack of experience and knowledge if they have been given supervision or instruction concerning use of the appliance in a safe way and understand the hazards involved.

Children shall not play with the appliance. Cleaning and user maintenance shall not be made by children without supervision.



WARNING The robotic lawnmower can be dangerous if used incorrectly.



WARNING Never use the robotic lawnmower when persons, especially children, or pets, are in the cutting area.

Safety instructions for operation

Use

- This robotic lawnmower may only be used with the equipment recommended by the manufacturer. All other types of use are incorrect. The manufacturer's instructions with regard to operation, maintenance and repair must be followed precisely.
- Use the **HOME** function or switch off the main switch on the robotic lawnmower when persons, especially children, or pets, are in the cutting area. If there are persons, or pets, in the cutting area it is recommended that the lawnmower is programmed for use during hours when the area is free from persons, for example at night. See *Timer on page 23*.



- The robotic lawnmower may only be operated, maintained, and repaired by persons that are fully conversant with its special characteristics and safety regulations. Please read the Operator's Manual carefully and make sure you understand the instructions before using the robotic lawnmower.

- It is not permitted to modify the original design of the robotic lawnmower. All modifications are made at your own risk.
- Check that there are no stones, branches, tools, toys or other objects on the lawn that can damage the blades. Objects on the lawn can also lead to the robotic lawnmower getting stuck in them and help may be required to remove the object before the mower can continue mowing.



- Start the robotic lawnmower according to the instructions. When the main switch is in position **1**, make sure you keep your hands and feet away from the rotating blades. Never put your hands and feet under the robotic lawnmower.

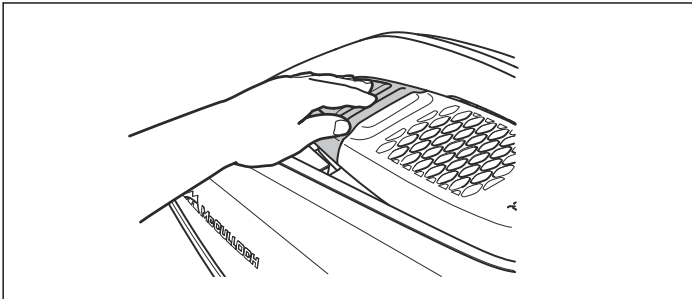
- Never lift up the robotic lawnmower or carry it around when the main switch is in position **1**.
- Do not let persons who do not know how the robotic lawnmower works and behaves use the robotic lawnmower.
- The robotic lawnmower must never be allowed to collide with persons or other living creatures. If a person or other living creature comes in the lawnmower's way it shall be stopped immediately. See *Stopping on page 34*.
- Do not put anything on top of the robotic lawnmower or its charging station.
- Do not allow the robotic lawnmower to be used with a defective blade disc or body. Neither should it be used with defective blades, screws, nuts or wires.
- Do not use the robotic lawnmower if the main switch does not work.
- Always switch off the robotic lawnmower using the main switch when the robotic lawnmower is not in use. The robotic lawnmower can only start when the main switch is set to **1** and the correct PIN code has been entered.
- The robotic lawnmower must never be used at the same time as a sprinkler. In this case use the timer function (see *Timer on page 23*) so the mower and sprinkler never run simultaneously.
- The built-in alarm is very loud. Be careful, especially if the robotic lawnmower is handled indoors.
- Full compatibility cannot be guaranteed between the robotic lawnmower and other types of wireless systems such as remote controls, radio transmitters, hearing loops, buried electric animal fencing or similar.
- Metal objects in the ground (for example reinforced concrete or anti-mole nets) can result in a stoppage. The metal objects can cause interference with the loop signal which then can lead to a stoppage.
- The robotic lawnmower must never be used in temperatures below 0°C / 32°F. This might cause damage to the product.

Transport

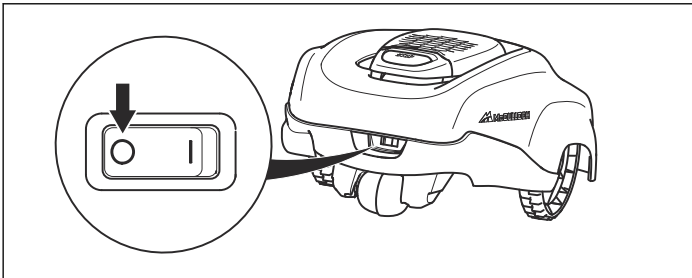
The original packaging should be used when transporting the robotic lawnmower over long distances.

To safely move from or within the working area:

1. Press the **STOP** button to stop the robotic lawnmower. If security is set to the medium or high level (see *Security on page 26*) the PIN code has to be entered. The PIN code contains four digits and is selected when you start the robotic lawnmower for the first time. See *First start-up and calibration on page 21*.



2. Set the main switch in position 0.



3. Carry the robotic lawnmower by the handle at the rear under the robotic lawnmower. Carry the robotic lawnmower with the blade disc away from the body.



CAUTION Do not lift the robotic lawnmower when it is parked in the charging station. This may damage the charging station and/or the robotic lawnmower. Open the hatch and instead first pull

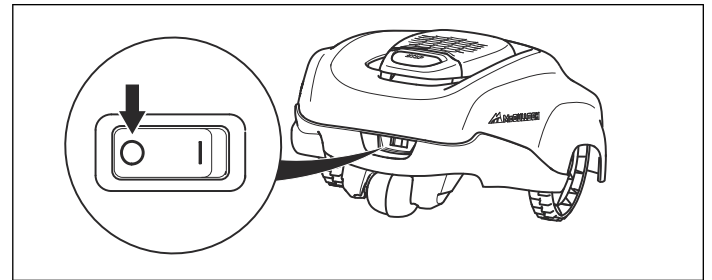
the robotic lawnmower out of the charging station before lifting it.

Maintenance



WARNING When the robotic lawnmower is turned upside down the main switch must always be in the 0 position.

The main switch should be set in the 0 position during all work on the mower's chassis, such as cleaning or replacing the blades.



- Inspect the robotic lawnmower each week and replace any damaged or worn parts.
- Check especially that the blades and blade disc are not damaged. Check also that the blades can pivot freely. Replace all blades and screws at the same time if necessary so that the rotating parts are kept balanced. See *Replacing the blades on page 36*. Always use original blades and screws when replacing.



CAUTION Never use a high-pressure washer or even running water to clean the robotic lawnmower. Never use solvents for cleaning.

In the event of a thunderstorm

To reduce the risk of damage to electrical components in the robotic lawnmower and its charging station, we recommend that all connections to the charging station are disconnected (power supply, boundary wire and guide wires) if there is a risk of a thunderstorm.

1. Make sure the wires are marked with the supplied markers to simplify reconnecting. The charging station's connections are marked R, L and Guide.
2. Disconnect all wires.
3. Reconnect all the wires if there is no longer a risk of thunder. It is important that each wire is connected to the right place.

Installation

Presentation

This chapter contains information that is important to be aware of when planning the installation.

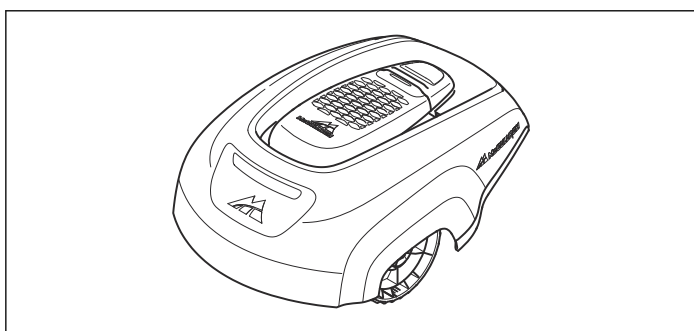
Before starting the installation make yourself familiar with what is included in the carton.

	McCULLOCH ROB R600	McCULLOCH ROB R1000
Robotic lawnmower	√	√

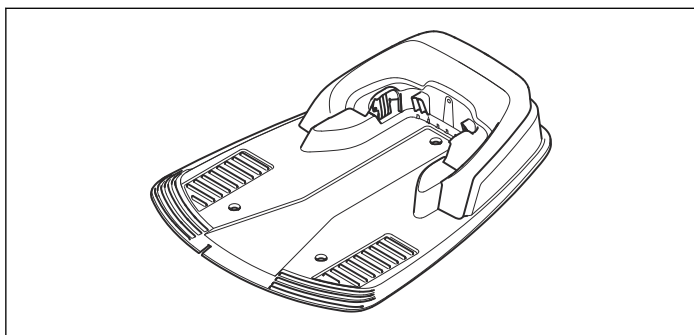
	McCULLOCH ROB R600	McCULLOCH ROB R1000
Charging station	√	√
Power supply	√	√
Loop wire	150 m / 490 ft	200 m / 655 ft
Low voltage cable	√	√
Pegs	200 pcs	400 pcs
Connectors	3 pcs	3 pcs
Charging station screws	3 pcs	3 pcs
Allen key	√	√
Measurement gauge	√	√
Couplers	5 pcs	5 pcs
Operator's manual and Quick guide	√	√
Extra blades	3 pcs	3 pcs
Alarm decal	√	√
Cable markers	√	√

Installation of the robotic lawnmower involves four main components:

1. A robotic lawnmower that mows the lawn by essentially operating in a random pattern. The robotic lawnmower is powered by a maintenance-free battery.

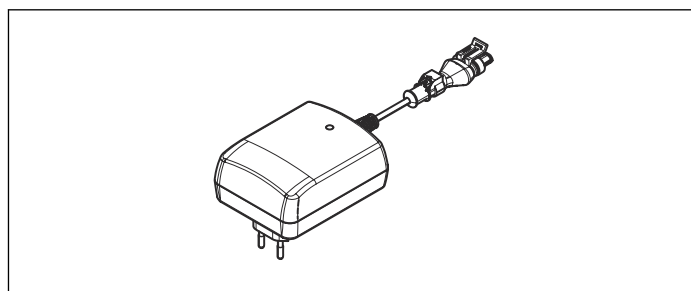


2. A charging station, to where the robotic lawnmower returns when the charge level in the battery becomes too low.

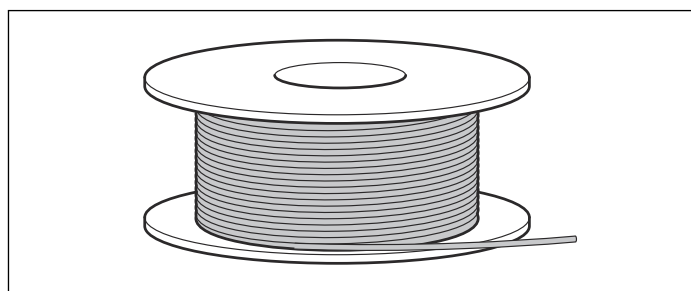


3. A power supply, which is connected between the charging station and a 100-240V wall socket. The

power supply is connected to the wall socket and to the charging station using a 10 m / 30 ft long low voltage cable. No parts of the power supply must be changed or tampered with. For example the low voltage cable must not be shortened or extended. Low voltage cables with 3 m / 10 ft and 20 m / 66 ft length are available as optional accessories.



4. Loop wire, laid in a loop around the robotic lawnmower's working area. The loop wire is laid around the edges of the lawn and around objects and plants that the robotic lawnmower must not run into. The loop wire is used both as a boundary wire and a guide wire.

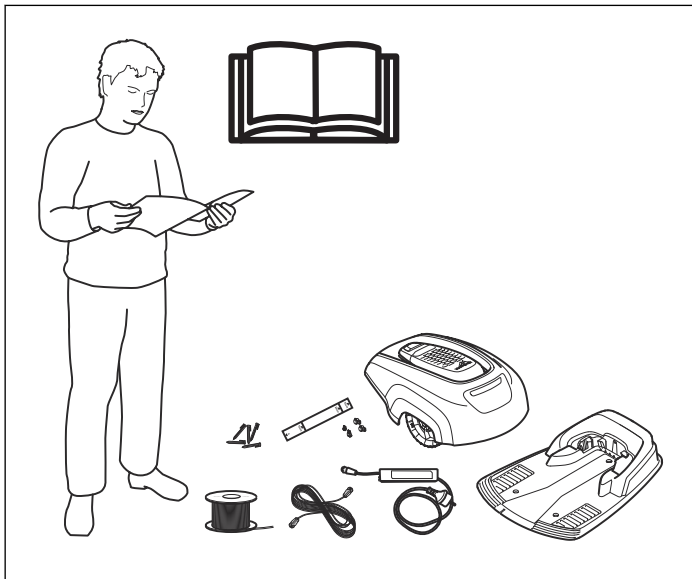


The loop wire supplied for the installation is 150 m / 490 ft for ROB R600 and 200 m / 655 ft for ROB R1000. If it is not long enough, more loop wire can be purchased and spliced onto the existing loop wire with an original coupler.

The maximum permitted length for the boundary wire is 400 m / 1300 ft.

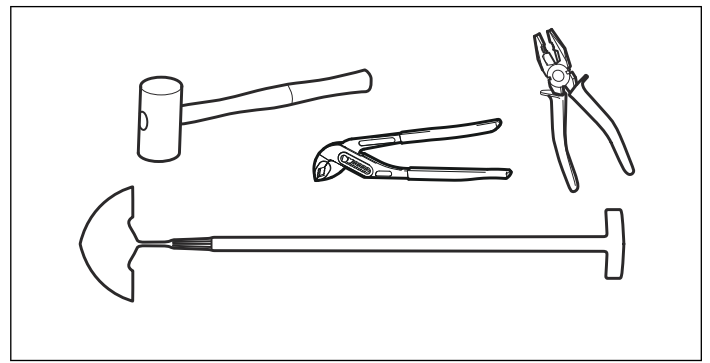
Preparations

1. If the lawn in the working area is longer than 10 cm / 4", mow it using a standard lawnmower. Then collect the grass.
2. Read carefully through all the steps before the installation.
3. Check that all parts for the installation are included. The numbers in brackets refer to the component illustration Product overview.
 - Robotic lawnmower
 - Charging station (6)
 - Loop wire for boundary wire and guide wire (16)
 - Power supply (20)
 - Low voltage cable (17)
 - Staples (21)
 - Connector for connecting the loop wire to the charging station(18)
 - Screws for the charging station (19)
 - Measurement gauge (22)
 - Couplers for the loop wire (23)
 - Cable markers (24)



During installation you will also need:

- Hammer/plastic mallet (to simplify putting the staples in the ground)
- Combination pliers for cutting the boundary wire and pressing the connectors together.
- Polygrip (for pressing the couplers together).
- Edge cutter/straight spade if the boundary wire must be buried.



Charging station

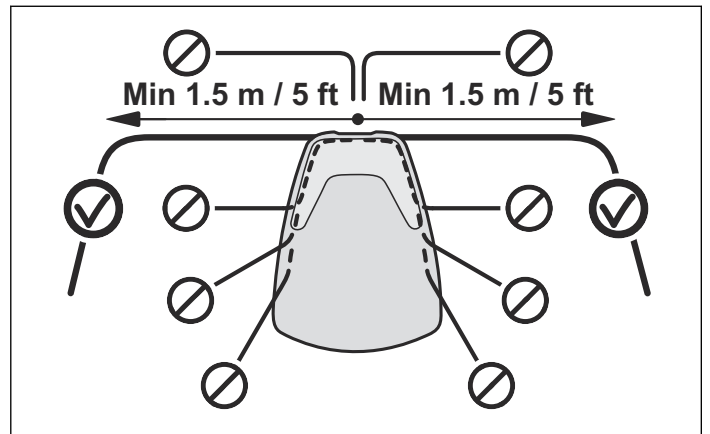
The charging station has 3 functions:

- To send control signals along the boundary wire.
- To send control signals in the guide wire so that the robotic lawnmower can find the charging station.
- To charge the robotic lawnmower battery.

Best charging station location

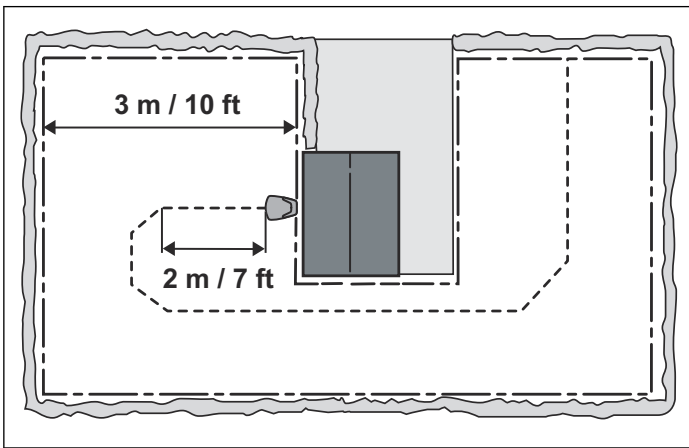
Take the following aspects into consideration when identifying the best location for the charging station:

- Allow for 3 m / 10 ft of free space in front of the charging station
- It must be possible to lay at least 1,5 m / 5 ft of boundary wire straight out to the right and left of the charging station



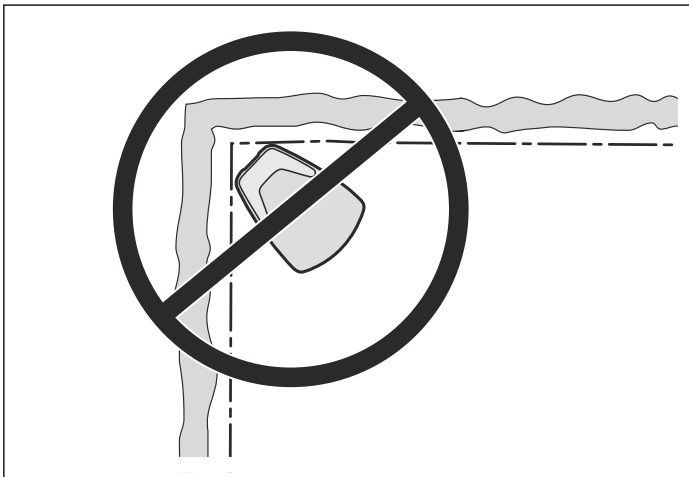
- It must be close to a wall socket. The supplied low voltage cable is 10 m / 30 ft long. A 3 m / 10 ft and 20 m / 65 ft low voltage cable is available to purchase as an accessory. Contact your local McCULLOCH representative for more information.
- A level surface to place the charging station on
- Protection from water spray for instance from irrigation
- Protection from direct sunlight
- Place it in the lower part of a working area that has a major slope
- Possible requirement to keep the charging station out of sight for outsiders

The charging station must be positioned with a great deal of free space in front of it (at least 3 m / 10 ft). It should also be centrally placed in the working area to make it easier for the robotic lawnmower to reach all areas in the working area.

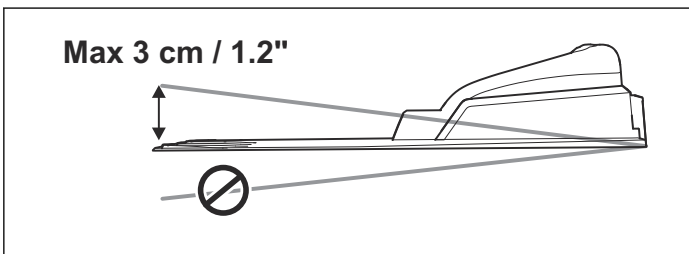


Do not put the charging station in confined spaces in the working area. There must be a straight boundary wire, at least 1,5 m / 5 ft long, to the right and left of the charging station. The wire must be laid straight out from the rear end of the charging station. Any other locations can mean that the robotic lawnmower enters the charging station sideways and will have difficulty docking.

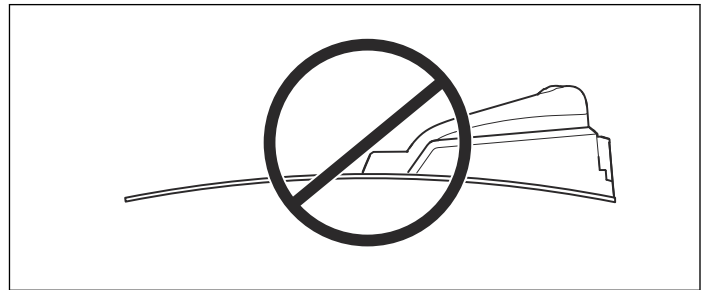
Do not put the charging station in a corner in the working area. There must be a straight boundary wire, at least 1,5 m / 5 ft long, to the right and left of the charging station.



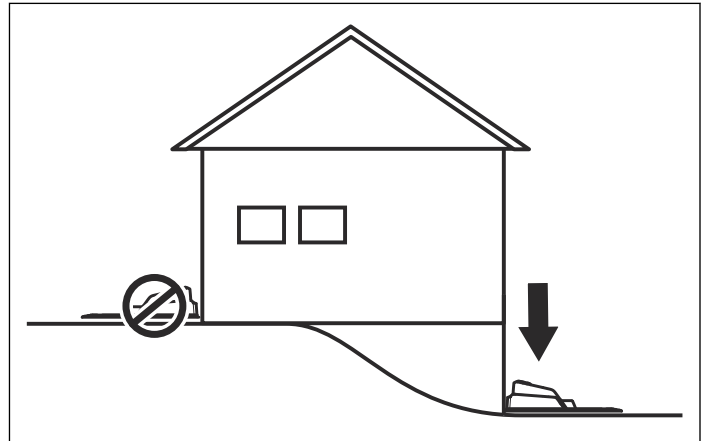
The charging station must be positioned on relatively level ground. The front end of the charging station must be a maximum of 3 cm / 1.2" higher than the back end. The front end of the charging station must never be lower than the back end.



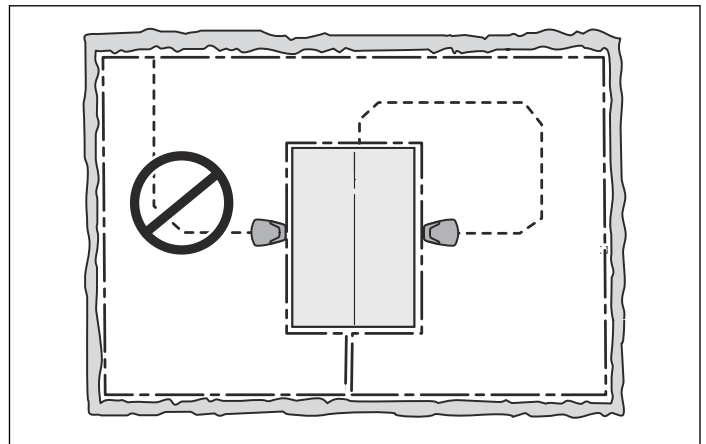
The charging station must not be positioned in a way that can bend its base plate.



If the installation is done in a working area with a steep slope (such as around a house on a hill), the charging station should be placed in the area at the bottom of the slope. This makes it easier for the robotic lawnmower to follow the guide wire to the charging station.



The charging station should not be placed on an island as this limits the laying of the guide wire in an optimal way. If the charging station has to be installed on an island, the guide wire also has to be connected to the island. Read more about islands in chapter *Boundaries within the working area* on page 15.



Connecting the power supply

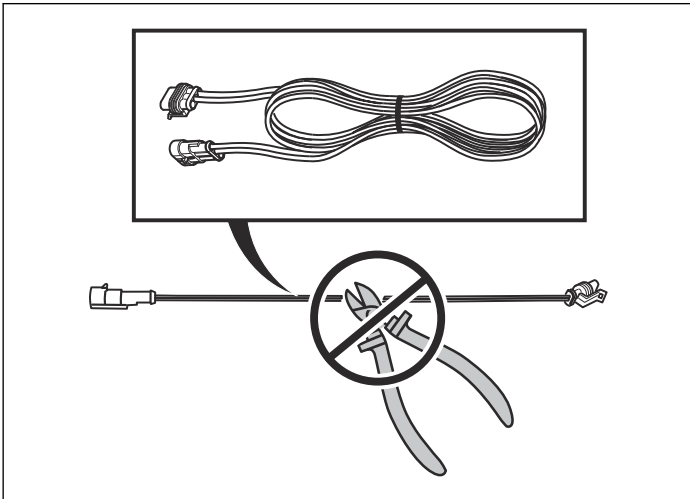
Take the following into consideration when planning where to place the power supply:

- Close to the charging station
- Protection from rain
- Protection from direct sunlight

If the power supply is connected to an electrical socket outdoors, this must be approved for outdoor use.

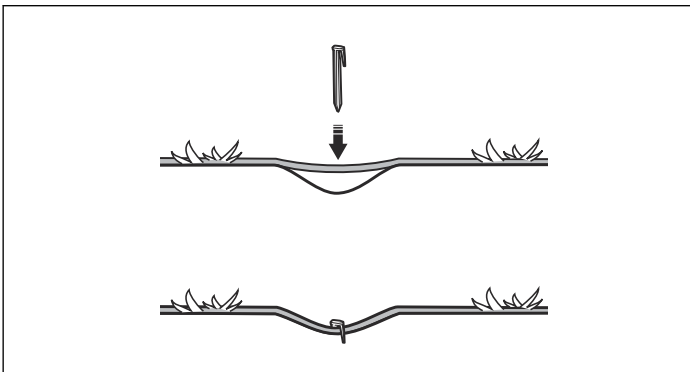
No parts of the power supply must be changed or tampered with. For example the low voltage cable must not be shortened or extended. Low voltage cables with 3

m / 10 ft or 20 m / 66 ft length are available as optional accessories.

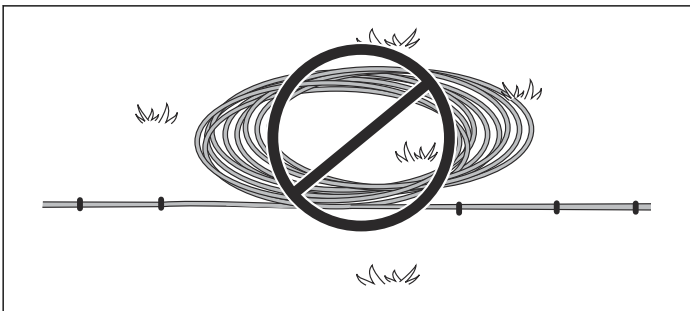


It is possible to let the low voltage cable cross the working area. The low voltage cable must be stapled down or buried, and the cutting height should be such that the blades on the blade disc can never come in contact with the low voltage cable.

Make sure the low voltage cable is laid along the ground and secured with pegs. The cable must lie close to the ground so as not to be cut before the grass roots have grown over it.



The low voltage cable must never be stored in a coil or under the charging station's base plate as this can interfere with the signals from the charging station.

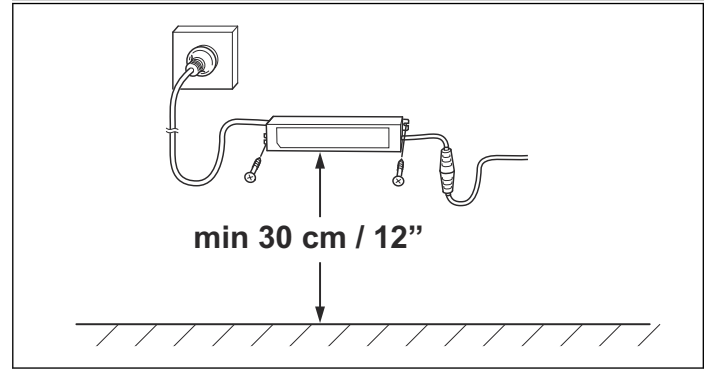
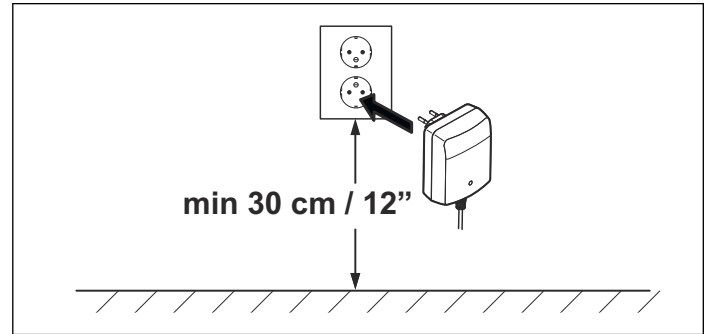


The power supply must be placed where it is well ventilated and is not exposed to direct sunlight. The power supply must be placed under a roof.

It is recommended to use an earth fault-breaker when connecting the power supply to the wall socket.

If the power supply cannot be plugged directly into a wall socket, do not under any circumstances mount the power supply at a height where there is a risk it can be

submerged in water (at least 30 cm / 12" from the ground). It is not permitted to place the power supply on the ground.



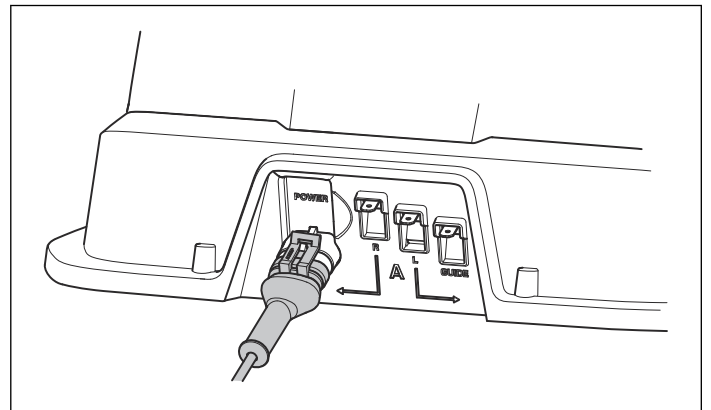
WARNING No parts of the power supply must under any circumstances be changed or tampered with. The low voltage cable must not be shortened or extended.

CAUTION Place the low voltage cable so that the blades on the blade disc can never come in contact with it.

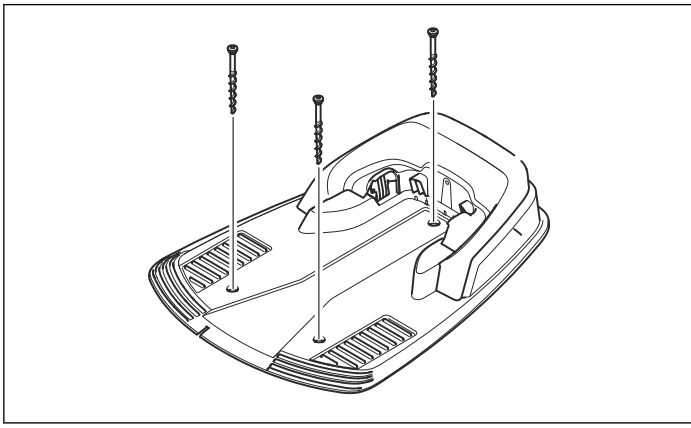
CAUTION Use the plug to disconnect the charging station, for instance before cleaning or repairing the loop wire.

Installing and connecting the charging station

1. Position the charging station in a suitable spot.
2. Connect the low voltage cable to the charging station.



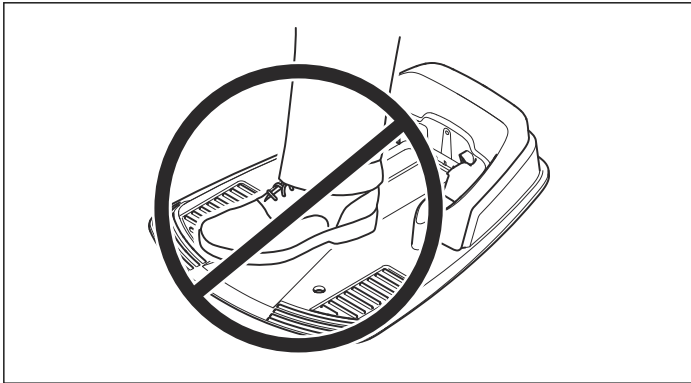
3. Connect the power supply's power cable to a 100-240V wall socket. If the power supply is connected to an electrical socket outdoors, this must be approved for outdoor use.
4. Attach the charging station to the ground using the supplied screws. Ensure the screws are screwed all the way down in the countersink.



CAUTION It is not permitted to make new holes in the base plate. Only the existing holes may be used to secure the base plate to the ground.



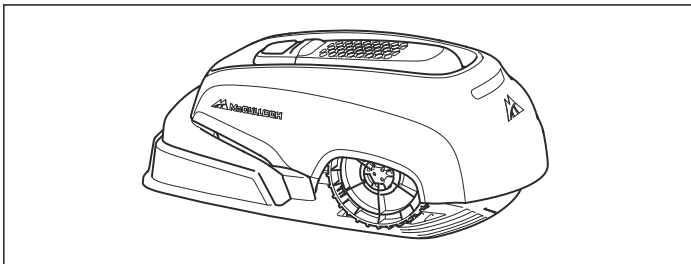
CAUTION Do not tread or walk on the charging station's base plate.



Charging the battery

As soon as the charging station is connected, it is possible to charge the robotic lawnmower. Set the main switch to position 1.

Place the robotic lawnmower in the charging station to charge the battery while the boundary and guide wires are being laid.



If the battery is flat, it takes around 80 to 100 minutes to fully charge it.

Note The robotic lawnmower cannot be used before the installation is complete.

Boundary wire

Ensure correct installation of the boundary wire according to the instruction.

The boundary wire can be installed in one of the following ways:

- Secure the wire to the ground with pegs.

It is preferable to staple down the boundary wire if you want to make adjustments to the boundary loop during the first few weeks of operation. After a few weeks the grass will have grown over the wire making it no longer visible. Use a hammer/plastic mallet and the pegs supplied when carrying out the installation.

- Bury the wire.

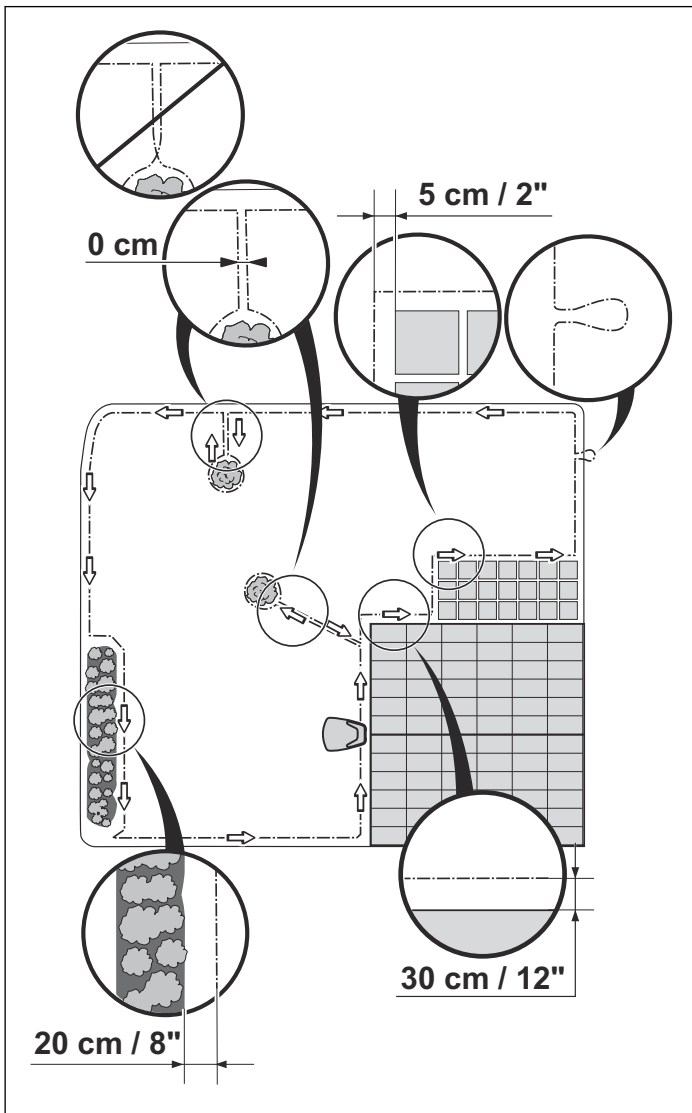
It is preferable to bury the boundary wire if you want to dethatch or aerate the lawn. If necessary, both methods can be combined so one part of the boundary wire is pegged down and the remainder is buried. The wire can be buried for instance using an edge cutter or a straight spade. Make sure to lay the boundary wire at least 1 cm / 1/2" and a maximum of 20 cm / 8" in the ground.

Plan where to lay the boundary wire

The boundary wire must be laid so that:

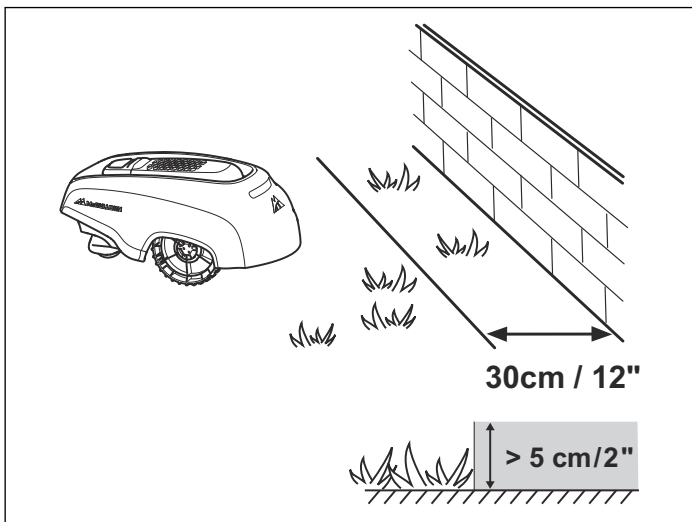
- A loop is formed around the working area for the robotic lawnmower. Only original boundary wire must be used. It is specially designed to resist dampness from the soil that could otherwise easily damage the wires.
- The robotic lawnmower is never more than 15 m / 50 ft from the wire at any point in the entire working area.
- The total length of the boundary wire does not exceed 400 m / 1300 ft.
- About 20 cm / 8" of extra wire is available to which the guide wire will be connected later. See *Laying the boundary wire on page 17*.

Depending on what the working area is adjacent to, the boundary wire must be laid at different distances from obstacles. The illustration below shows how the boundary wire must be laid around the working area and around obstacles. Use the supplied measurement gauge to obtain the correct distance (see *Product overview on page 5*).



Working area boundaries

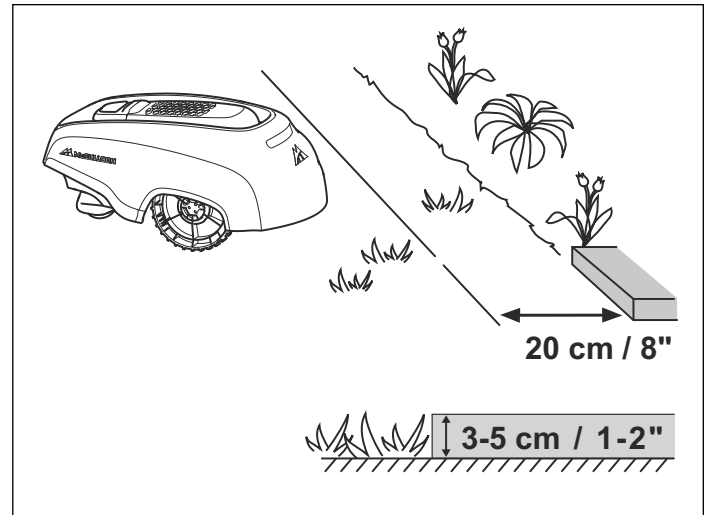
If a high obstacle (5 cm / 2" or more), for example a wall or fence, borders the working area, the boundary wire should be laid 30 cm / 12" from the obstacle. This will prevent the robotic lawnmower from colliding with the obstacle and reduce body wear.



About 20 cm / 8" around the fixed obstacle will not be mown.

If the working area borders on a small ditch, for example a flower bed, a small elevation, or a low curbstone (3-5 cm /

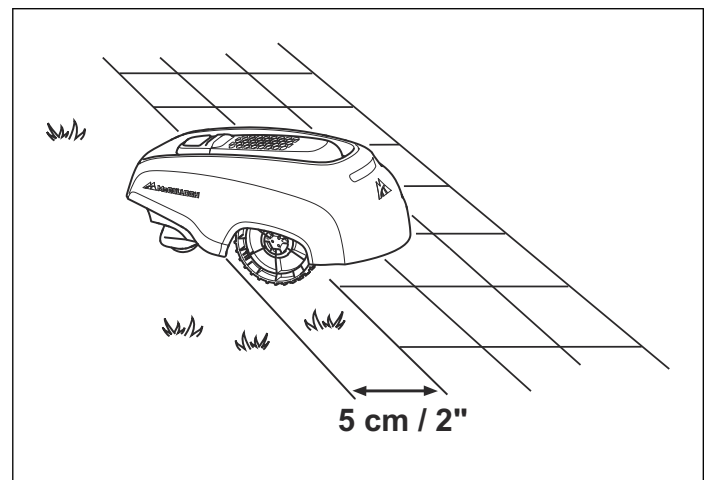
1-2"), the boundary wire should be laid 20 cm / 8" inside the working area. This prevents the wheels from driving into the ditch or up onto the curbstone.



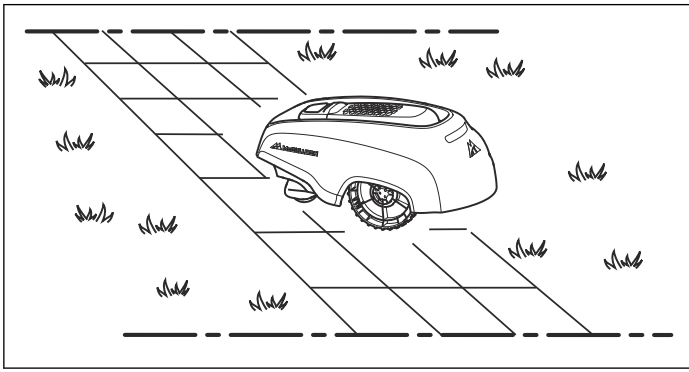
About 12 cm / 5" of grass along the ditch/curbstone will not be mown.

If the working area borders on a paving stone path or similar which is level with the lawn (+/- 1 cm / 1/2"), it is possible to allow the robotic lawnmower to run a little over the path. The boundary wire should then be laid 5 cm / 2" from the edge of the path.

All the grass along the side of the paving stone path will be cut.

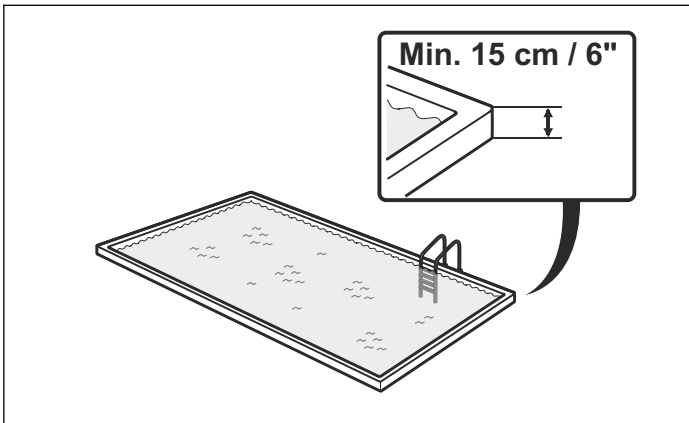


When the working area is divided by a paving stone path which is level with the lawn, it is possible to allow the robotic lawnmower to run over the path. It can be an advantage to lay the boundary wire under the paving stones. The boundary wire can also be laid in the joint between the paving stones. Ensure that the tiles are in level with the lawn to avoid excessive wear on the robotic lawnmower.



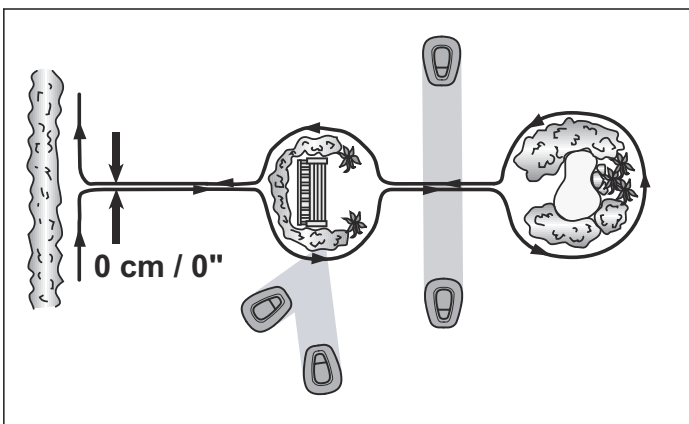
CAUTION The robotic lawnmower must never run over gravel, mulch or similar material which can damage the blades.

CAUTION If the working area is adjacent to water bodies, slopes, precipices or a public road, the boundary wire must be supplemented with an edging or the like. It must then be at least 15 cm / 6" in height. This will prevent the robotic lawnmower from ending up outside the working area under any circumstance.



Boundaries within the working area

Use the boundary wire to demarcate areas inside the working area by creating islands around obstacles which cannot withstand a collision, for example, flowerbeds, bushes and fountains.

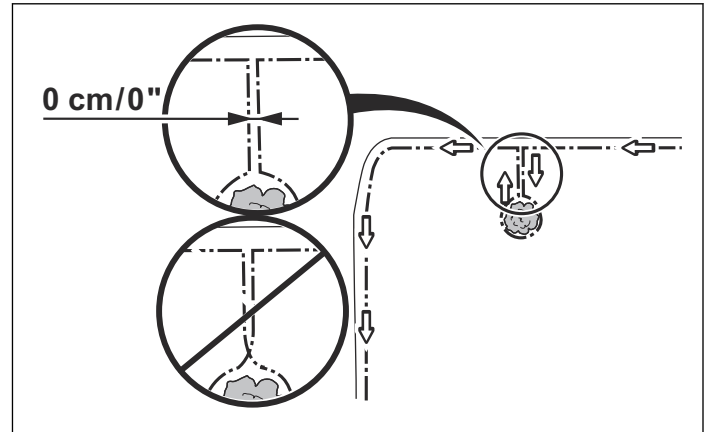


Obstacles that can withstand a collision, for example, trees and bushes higher than 15 cm / 6", do not need to be demarcated by the boundary wire. The robotic lawnmower will turn around when it collides with this type of obstacle.

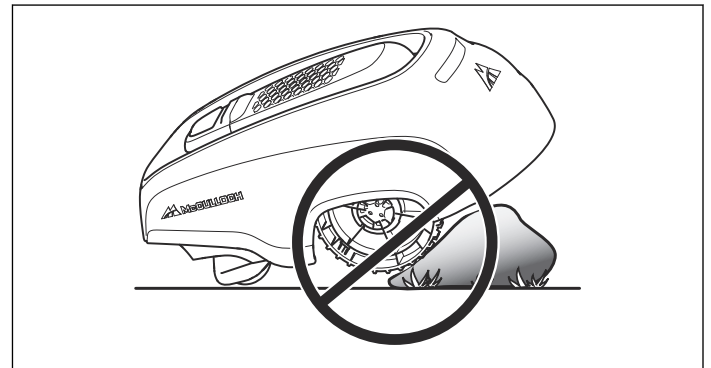
However, to achieve careful and silent operation, it is recommended to isolate all fixed objects in and around the working area.

Lay the wire up to and around the area to be demarcated, and then return it back along the same route. If staples are used, the wire should be laid under the same staple on the return route. When the boundary wires to and from the island are laid close together, the robotic lawnmower can drive over the wire.

Note The boundary wire may not be crossed on its way to and from an island.



Obstacles that slope slightly, for example, stones or large trees with raised roots, must be isolated with an island or removed. Otherwise the robotic lawnmower can slide up onto this kind of obstacle causing the blades to be damaged and/or the mower to get stuck.



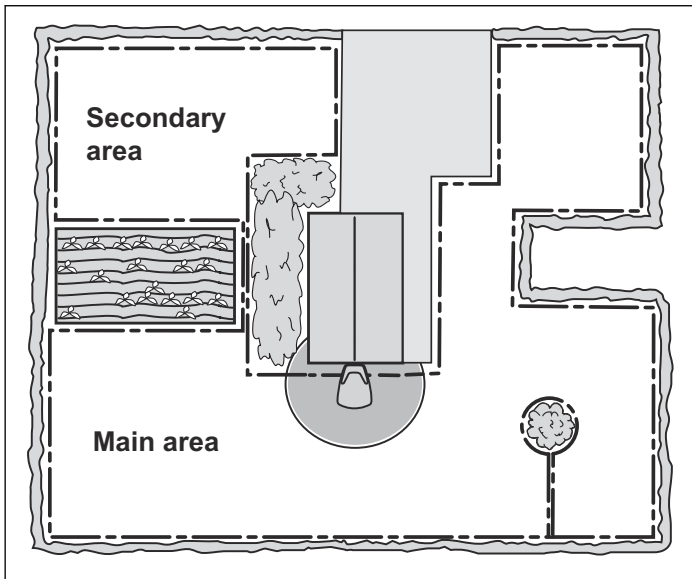
Level the lawn and remove holes/hollows in the working area to avoid pools of water in case of heavy rain.

Secondary areas

If the working area consists of two areas which the robotic lawnmower has difficulty travelling between, it is recommended to set up a secondary area. Instances of this are 25% slopes or a passage that is narrower than 120 cm / 47". Lay the boundary wire then around the secondary area so that it forms an island outside of the main area.

The robotic lawnmower must be moved manually between the main and secondary area when the lawn in the secondary area has to be cut. The *MAN* operation mode must be used as the robotic lawnmower cannot travel on its own from the secondary area to the charging station. See *Operation selection on page 32*. In this mode, the robotic lawnmower will never look for the charging station

but will mow until the battery runs out. When the battery is flat, the robotic lawnmower will stop and the *Needs manual charging* message will appear in the display. Then place the robotic lawnmower in the charging station to charge the battery. If the main working area has to be cut after charging, it is appropriate to switch the operation mode to *AUTO* before placing the robotic lawnmower in the charging station.

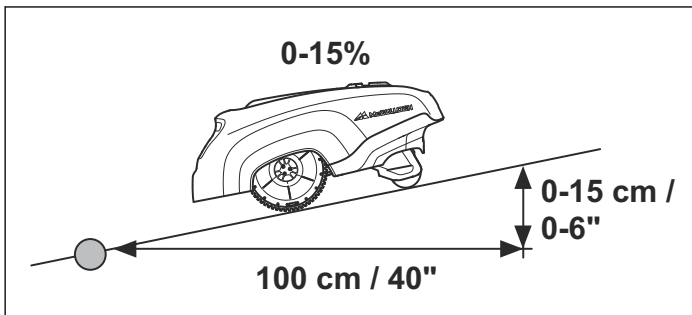


Passages when mowing

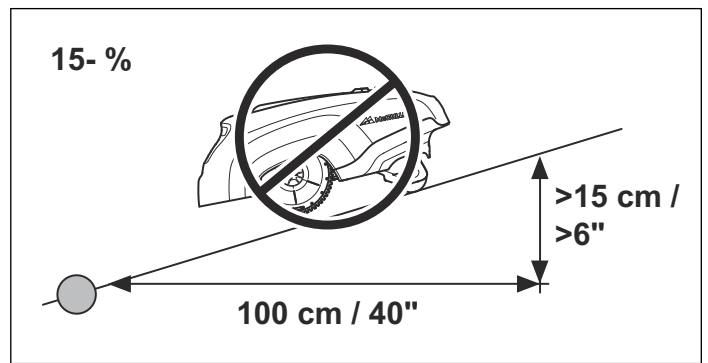
Long and narrow passages and areas narrower than 1.5-2 m / 5-7 ft should be avoided. When the robotic lawnmower mows, there is a risk that it travels around in the passage or area for a period of time. The lawn will then look flattened.

Slopes

The boundary wire can be laid across a slope that slants less than 15%.



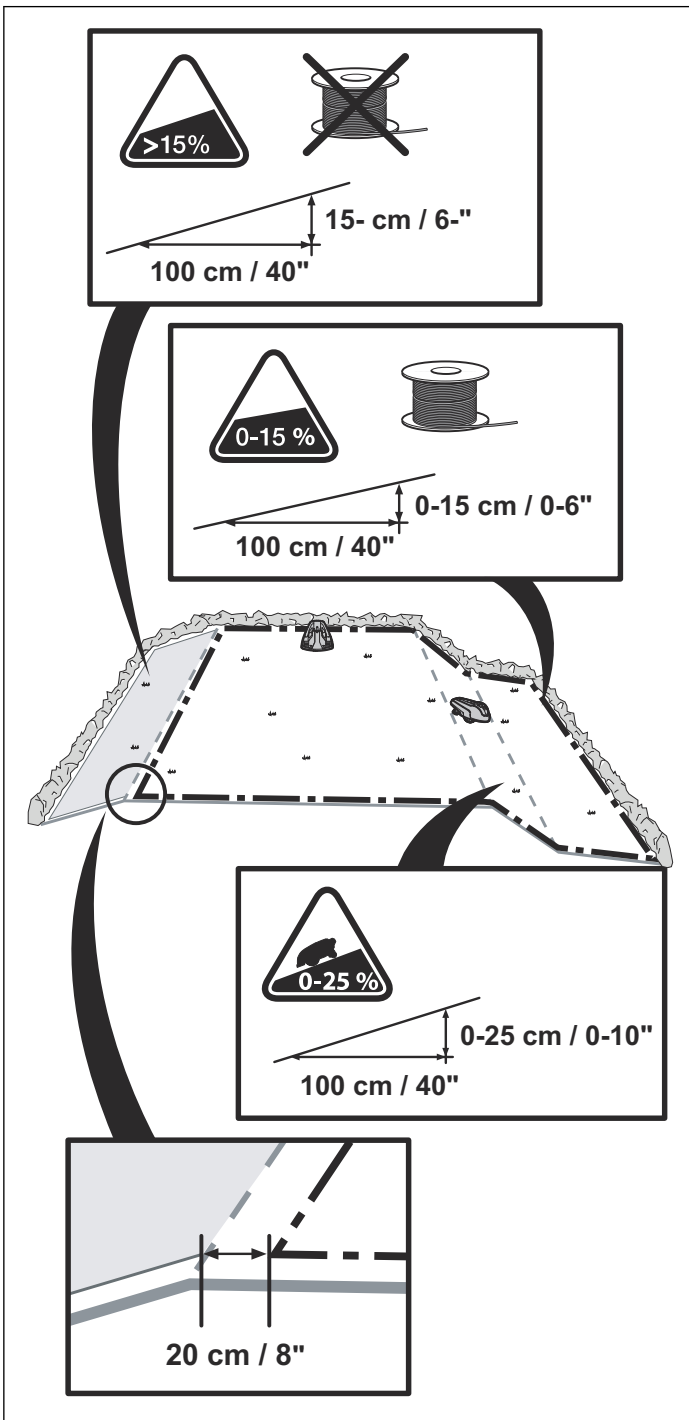
The boundary wire should not be laid across a slope that is steeper than 15%. There is a risk that the robotic lawnmower will find it difficult to turn there. The mower will then stop and the *Outside working area* fault message is displayed. The risk is at its greatest in damp weather conditions, as the wheels can slip on the wet grass.



However, the boundary wire can be laid across a slope steeper than 15% if there is an obstacle that the robotic lawnmower is allowed to collide with, for example, a fence or a dense hedge.

The robotic lawnmower can mow lawns that slope up to 25 cm every meter / 10" every 40" (25%) inside the working area. Areas that slope more must be demarcated by the boundary wire.

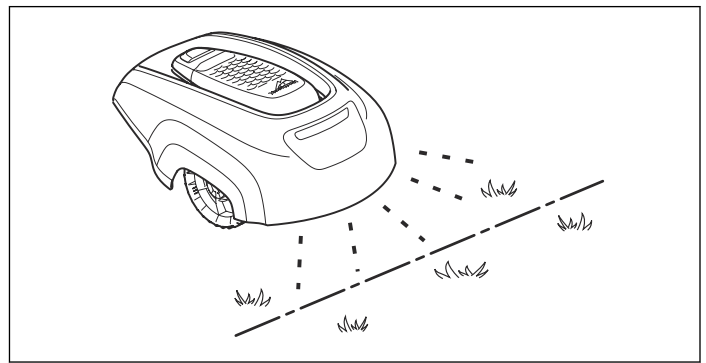
When a part of the working area's outer edge slopes more than 15 cm every meter / 6" every 40" (15%), the boundary wire must be laid about 20 cm / 8" in on the flat ground before the beginning of the slope.



Laying the boundary wire

If you intend to staple down the boundary wire:

- Cut the grass very low with a standard lawnmower or a trimmer where the wire is to be laid. It will then be easier to lay the wire close to the ground and the risk of the robotic lawnmower cutting the wire or damaging the insulation of the wire is reduced.
- Make sure to lay the boundary wire close to the ground and secure the pegs close together. The cable must lie close to the ground so as not to be cut before the grass roots have grown over it.
- Use a hammer to knock the staples into the ground. Exercise care when knocking in the staples and make sure the wire is not under strain. Avoid sharp bends in the wire.

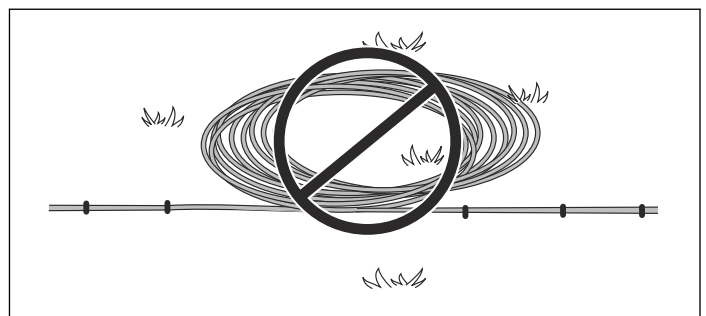


If the boundary wire is to be buried:

- Make sure to lay the boundary wire at least 1 cm / 1/2" and a maximum of 20 cm / 8" in the ground. The wire can be buried for instance using an edge cutter or a straight spade.

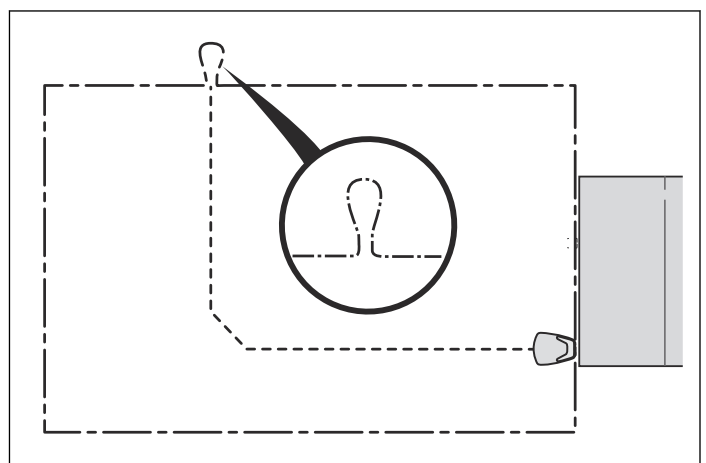
Use the supplied measurement gauge as a guide when you lay out the boundary wire. This helps you to easily set the correct distance between the boundary wire and the boundary/obstacle. The measurement gauge is broken loose from the box.

Note Extra wire must not be placed in coils outside the boundary wire. This can disrupt the robotic lawnmower.



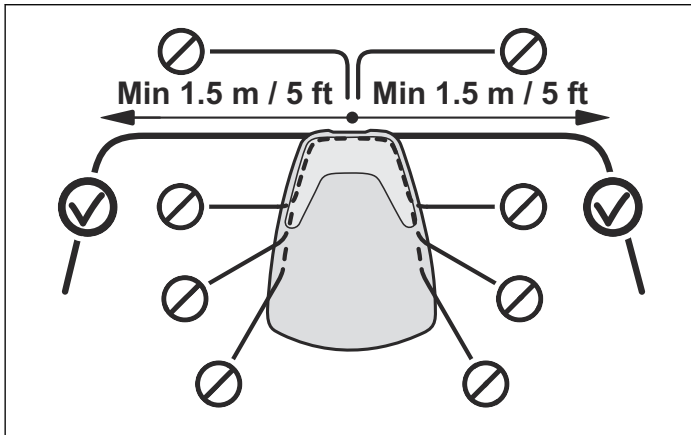
Eyelet for connecting the guide wire

To facilitate the connection of the guide wire to the boundary wire, it is recommended to create a loop with about 20 cm / 8" of extra boundary wire at the point where the guide wire will later be connected. It is a good idea to plan where the guide wire will be placed before laying out the boundary wire. See *Laying the boundary wire on page 17*.



Laying the boundary wire in towards the charging station

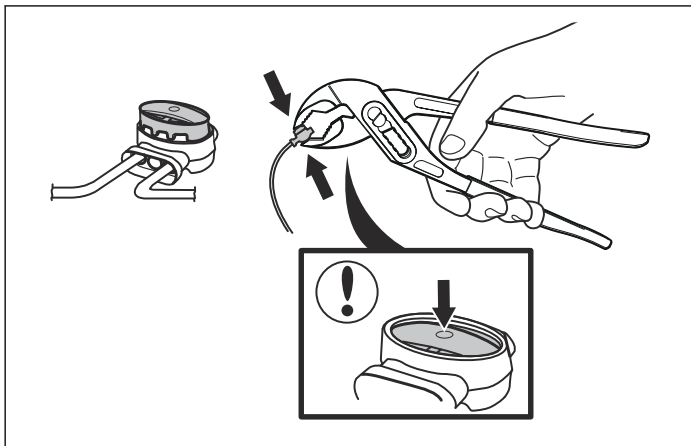
The boundary wire must be laid in line with the rear end of the charging station and at least 1,5 m / 5 ft straight out to the right and left of the station. If the boundary wire is laid in any other way, the robotic lawnmower may find it hard to find the charging station.



Splicing the boundary wire

Use an original coupler if the boundary wire is not long enough and needs to be spliced. It is waterproof and gives a reliable electrical connection.

Insert both wire ends in the coupler. Check that the wires are fully inserted into the coupler so that the ends are visible through the transparent area on the other side of the coupler. Now press down the button on top of the coupler fully. Use a polygrip to completely press down the button on the coupler.

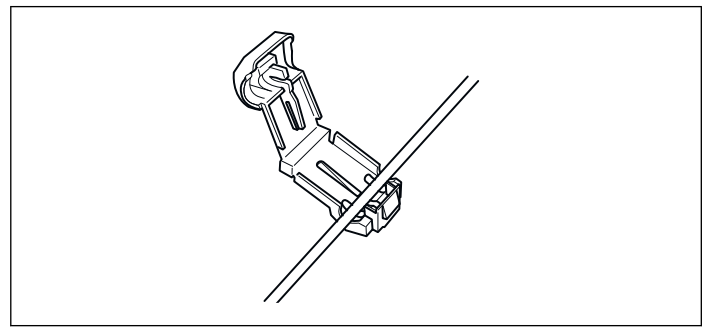


CAUTION Twinned cables, or a screw terminal block that is insulated with insulation tape are not satisfactory splices. Soil moisture will cause the wire to oxidise and after a time result in a broken circuit.

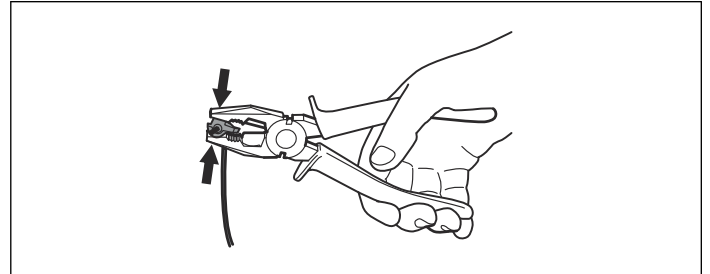
Connecting the boundary wire

Connect the boundary wire to the charging station:

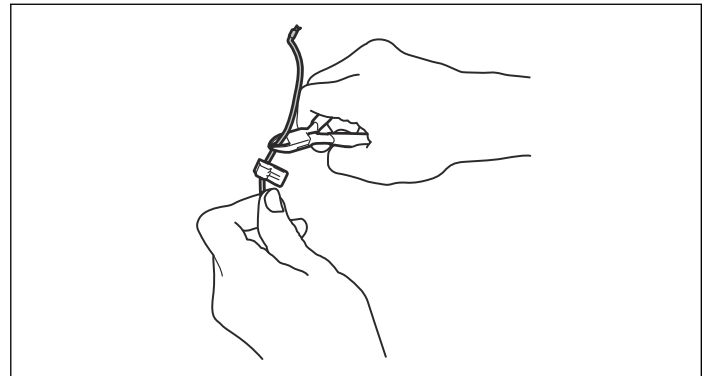
1. Open the connector and place the wire in the connector grip.



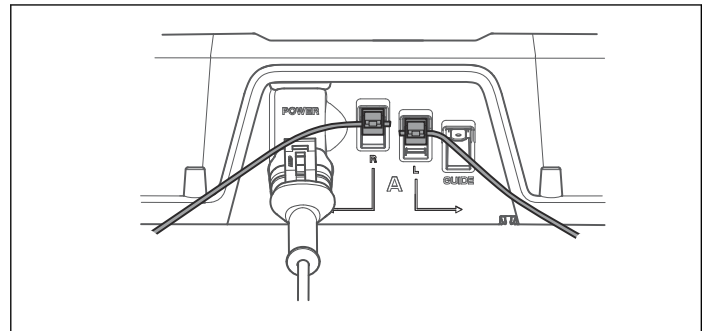
2. Press the connectors together using a pair of pliers. Press until you hear a click.



3. Cut off any excess boundary wire 1 or 2 cm / 0.4" or 0.8" above each connector.



4. Press the connector onto the metal pin, Press the connector onto the contact pin, marked L (left) and R (right), on the charging station. Carefully check that the connector is properly fitted.



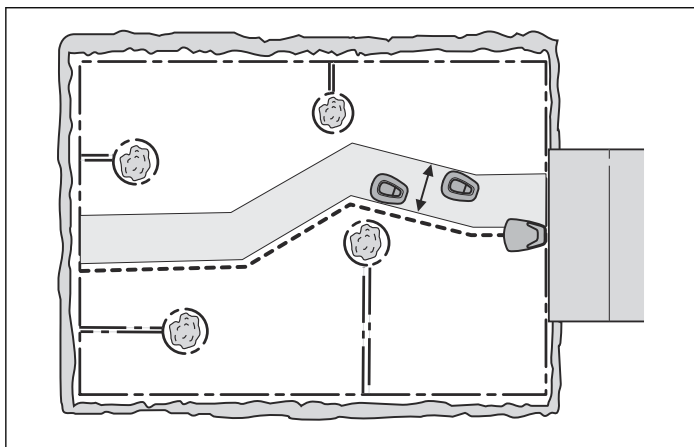
CAUTION The right hand connector must be connected to the right hand metal pin on the charging station and the left hand wire end to the left connector.

Installation of the guide wire

The guide wire is used by the robotic lawnmower to find its way back to the charging station but also to guide the robotic lawnmower to remote areas of the garden.

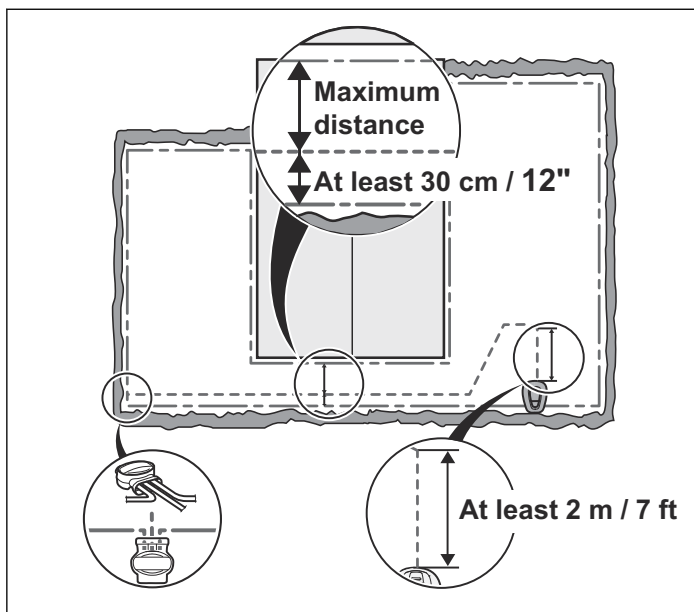
The same cable roll is used for both the boundary and guide wires.

To ensure an even cut over the entire lawn, the robotic lawnmower can follow the guide wire from the charging station to the guide wire connection in the boundary wire and start mowing there. Depending on the garden layout, one should adjust how often the robotic lawnmower is to follow the guide wire from the charging station. See *Remote start, ROB R600 only on page 27 (ROB R600)* or *Proportion on page 25 (ROB R1000)*.



The robotic lawnmower runs at varying distances from the guide wire to reduce the risk of tracks forming when the robotic lawnmower follows the guide wire to and from the charging station. The area beside the wire which the robotic lawnmower then uses is called the Corridor. The robotic lawnmower always runs to the left of the guide wire as seen facing the charging station. Thus the corridor is to the left of the guide wire. The corridor is 50 cm / 20" wide. When installing, it is therefore important to have at least 75 cm / 30" free space to the left of the guide wire and at least 25 cm / 10" free space to the right of the guide wire, as seen facing the charging station.

It is not allowed to lay the guide wire closer than 30 cm / 12" from the boundary wire.



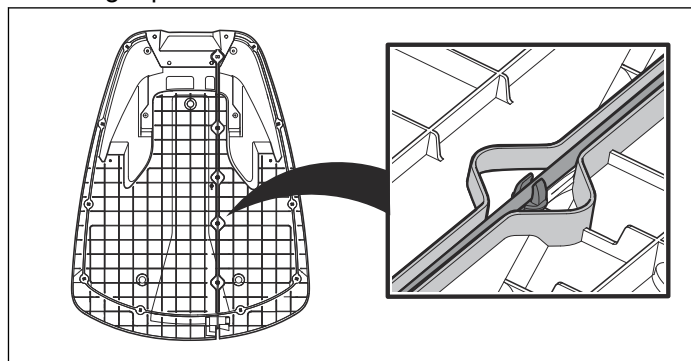
The guide wire, as the boundary wire, can be stapled to or buried in the ground.



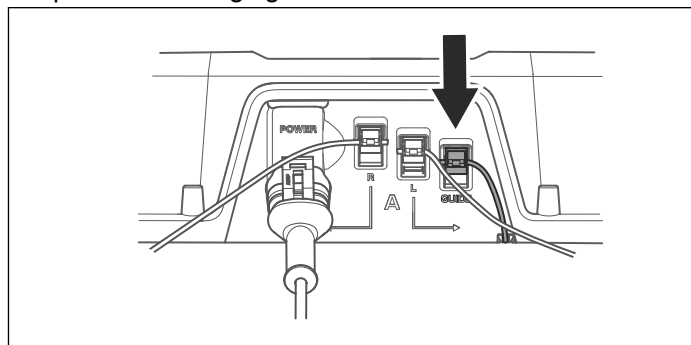
CAUTION Make sure that there is always at least 75 cm / 30" of free space to the left of the guide wire as seen facing the charging station.

Laying and connecting the guide wire

1. Run the wire through the slot in the bottom of the charger plate.



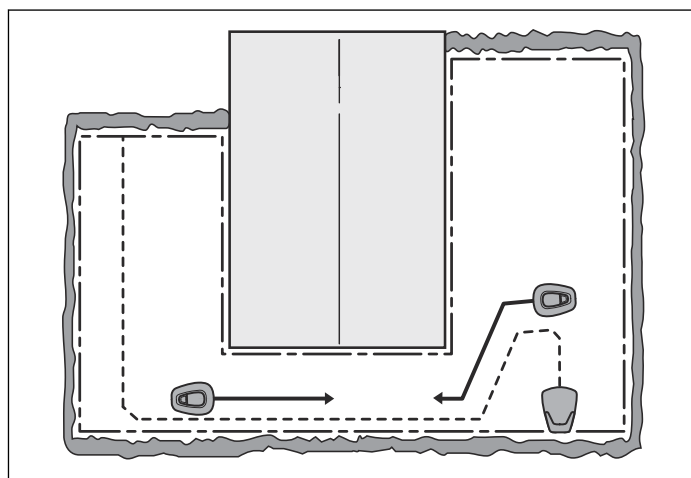
2. Fit the connector to the guide wire in the same way as for the boundary wire described in *Connecting the boundary wire on page 18*. Connect it to the contact pin on the charging station that is labelled Guide .



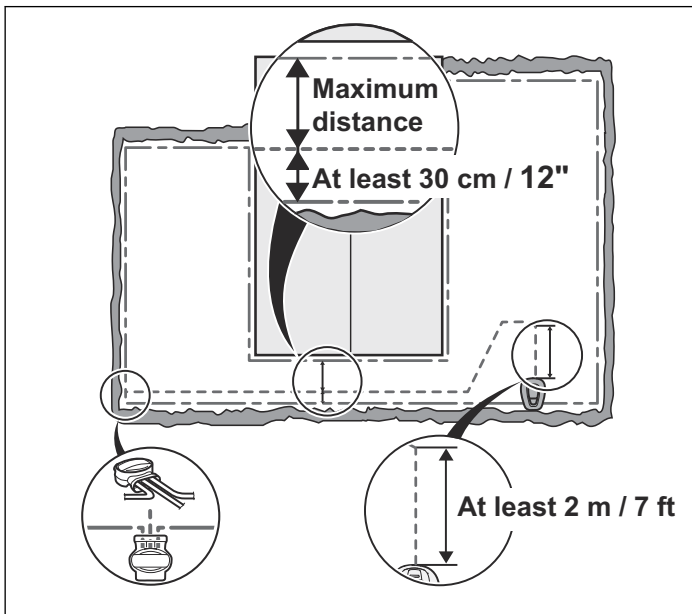
3. Run the wire at least 2 m / 7 ft straight out from the front edge of the plate.

If the guide wire must be laid in a passage:

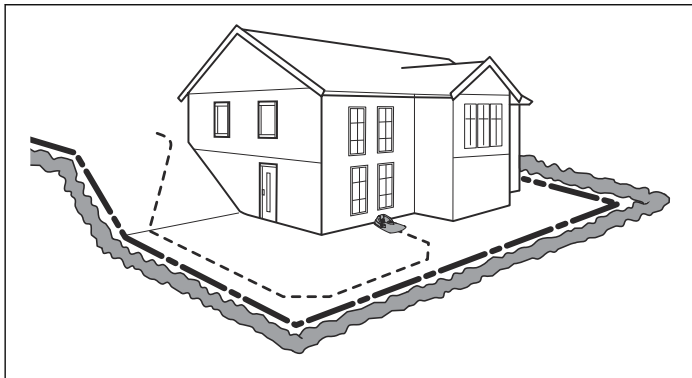
- The robotic lawnmower follows the guide wire on the same side of the wire to and from the charging station. This means that the guide wire is to the right of the robotic lawnmower when the mower travels to the charging station while it is to the left of the mower when the mower travels away from the charging station.



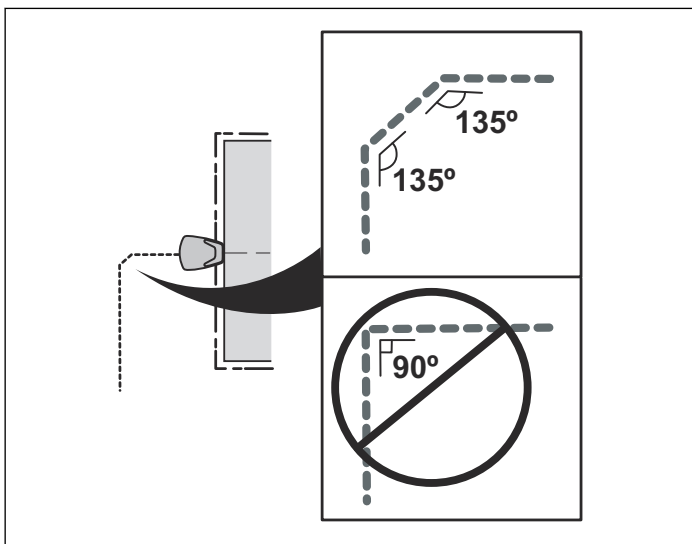
- In the passage, the guide wire must therefore be placed so that the robotic lawnmower has as much space to run in as possible. The distance between the boundary wire and the guide wire must however be at least 30 cm / 12" .



- If the guide wire has to be installed on a steep slope, it is an advantage to lay the wire at an angle to the slope. This makes it easier for the robotic lawnmower to follow the guide wire on the slope.

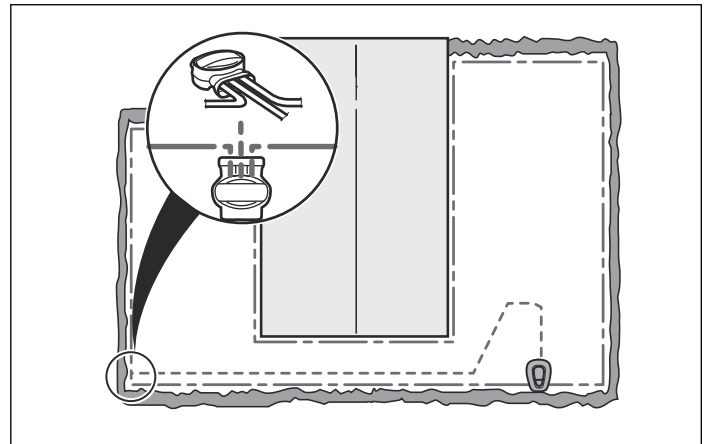


- Avoid laying the wire at sharp angles. This can make it difficult for the robotic lawnmower to follow the guide wire.

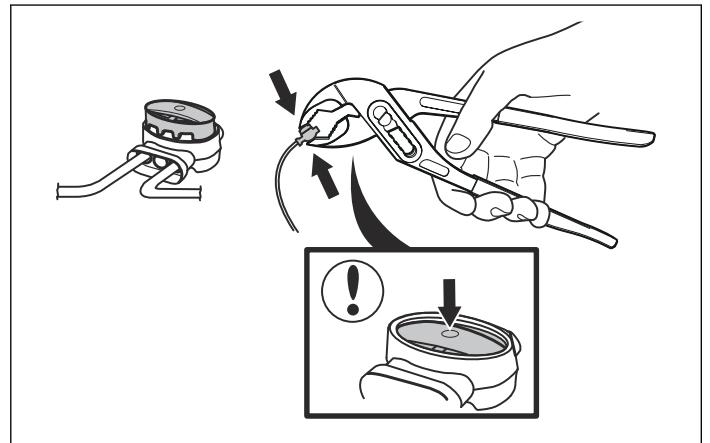


4. Run the guide wire up to the point on the boundary wire where a loop to facilitate the connection of the guide wire was previously added.
5. Cut the loop on the boundary wire using for instance a pair of wire cutters.
6. Connect the guide wire to the boundary wire using a coupler:

- Insert the boundary wire in each of the holes in the coupler. It does not matter which holes are used to connect each wire. Insert the guide wire in the centre hole in the coupler. Check that the wires are fully inserted into the coupler so that the ends are visible through the transparent area on the other side of the coupler.

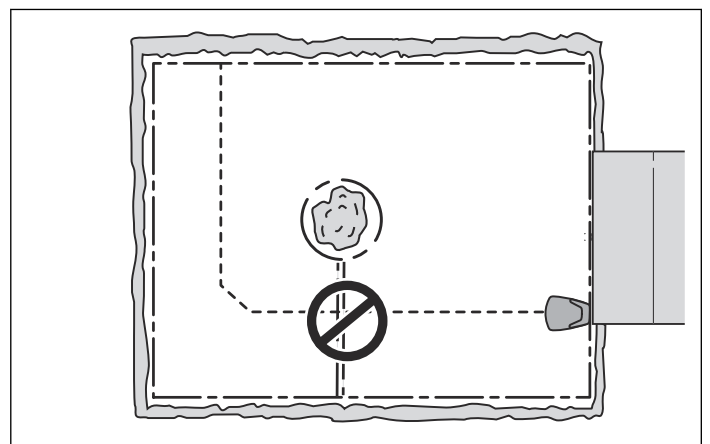


- Use a polygrip to completely press down the button on the coupler.



7. Staple down/bury the connector in the lawn.

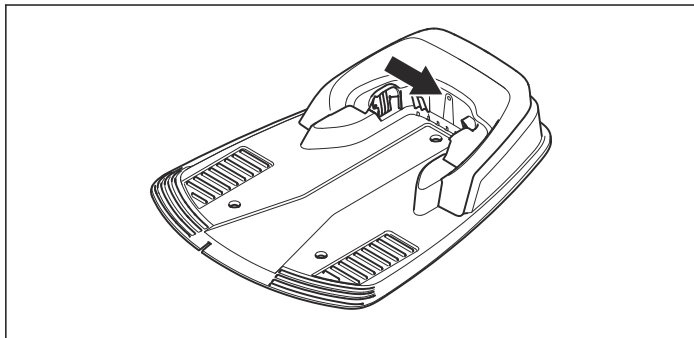
CAUTION The guide wire may not cross the boundary wire, for instance a boundary wire that is laid out to an island.



CAUTION Test that the guide wire works using the *Calibrate guide* function (ROB R600) or *Test settings* (ROB R1000) before using the robotic lawnmower.

Checking the installation

Check the loop signal by inspecting the indicator lamp on the charging station.



See *Indicator lamp in the charging station on page 40* if the lamp does not indicate a solid green light.

First start-up and calibration

Before the robotic lawnmower is operated, a start-up sequence in the robotic lawnmower's menu must be carried out as well as an automatic calibration of the guide signal. The calibration is also a good test to see that the installation of the guide wire has been done in such a way that the robotic lawnmower can easily follow the guide wire from the charging station.

1. Open the control panel cover by pressing the **STOP** button.
2. Set the main switch to position 1.

A start-up sequence begins when the robotic lawnmower is started for the first time. The following is requested:

- Language.
- Country
- Time format
- Current time
- Date format
- Date
- Four digit PIN code. All combinations except 0000 are permitted.

Note Use the *MEMO* page at the beginning of the manual to make a note of the PIN code.

3. Place the robotic lawnmower in the charging station as requested in the display. Press the **START** button and close the cover. The robotic lawnmower will now start the guide calibration, by leaving the charging station and following the guide wire to the point where the guide wire is connected to the boundary wire to begin mowing there. Check that the robotic lawnmower can follow the guide wire all the way. If it cannot, this may be due to an incorrectly installed guide wire. In this case, check that the installation is performed as described in *Installation of the guide wire on page 18*. Then carry out a new calibration. See *Calibrate guide, ROB R600 only on page 28* or *Test settings on page 25* (ROB R1000).

Test docking with the charging station

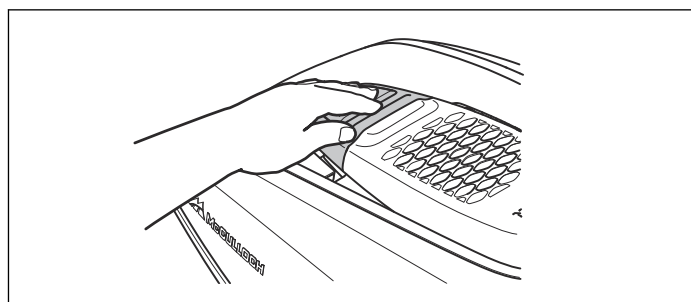
Before using the robotic lawnmower, check that the robotic lawnmower can follow the guide wire all the way to the charging station and easily docks with the charging station. Perform the test below.

1. Open the control panel hatch by pressing the **STOP** button.
2. Place the robotic lawnmower close to the point where the guide wire is connected to the boundary wire. Place the robotic lawnmower about 2 m / 7 ft from the guide wire, facing the guide wire.
3. Select *HOME* mode by pressing the house symbol key and pressing **OK** when the cursor is at Home. Press **START** and close the hatch.
4. Check that the robotic lawnmower follows the guide wire all the way to the charging station and that it docks with the charging station. The test is approved only if the robotic lawnmower is able to follow the guide wire the entire distance to the charging station and docks at the first attempt. If the robotic lawnmower is unable to dock on the first attempt, it will automatically try again. The installation is not approved if the robotic lawnmower needs two or more attempts to dock with the charging station. In this case, check that the charging station, the boundary wire and the guide wire are installed in accordance with the instructions.
5. The robotic lawnmower will stay in the charging station until *AUTO* or *MAN* mode is selected. See *Operation selection on page 32*.

The guide system must first be calibrated if the above test is to provide a satisfactory result. See *First start-up and calibration on page 21*.

Control panel

All forms of commands and settings for the McCULLOCH robotic lawnmower are made via the control panel. All functions are accessed via a number of menus.

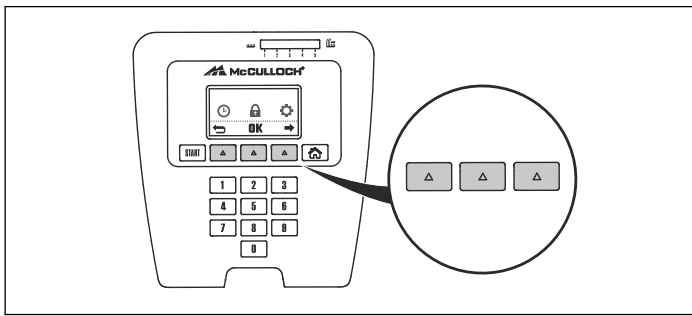


The control panel consists of a display and a keypad. All information is shown on the display and all input is done using the buttons.

The keypad consists of four groups of buttons: multi-choice buttons and numbers (see below), start and operation button (see *Operation selection on page 32*).

Multi-choice buttons

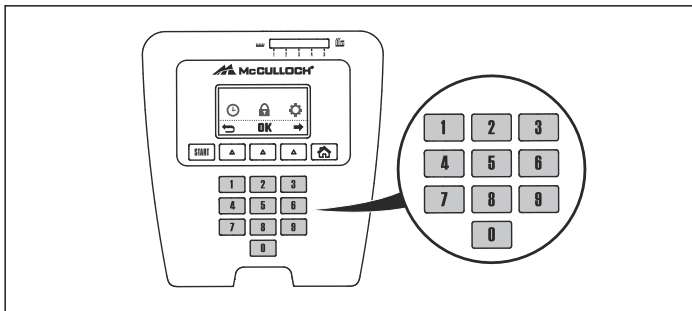
The three multi-choice buttons offer various functions, among others depending on where in the menu structure you are. The button function is shown at the very bottom of the display.



Example: If you are in the main menu, the left button can be used to go back, the middle button confirms any selections and the right button helps you to scroll the menu.

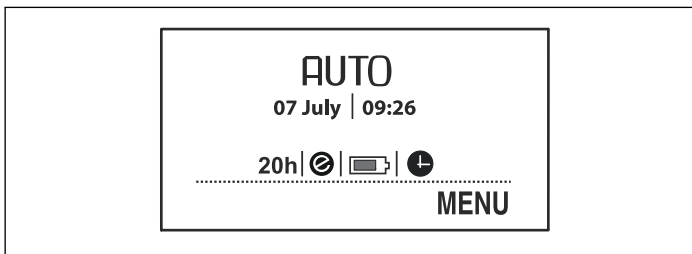
Numbers

The number keys are used for instance to enter the PIN code or time settings.



Display

When the **STOP** button has been pressed and the hatch is opened, the operation window appears showing the time, selected operating mode, number of mowing hours, battery status and timer setting.



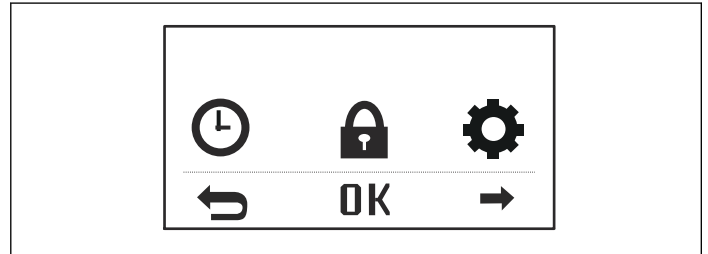
- The clock shows the current time.
- Date shows the current day.
- The number of operating hours indicates the number of hours since the day of manufacture that the robotic lawnmower has been in operation. The time that the robotic lawnmower has spent mowing or searching for the charging station is counted as operating time.
- *AUTO*, *MAN* or *HOME* show which mode of operation is selected. See *Operation selection on page 32*.
- The battery status shows the remaining battery charge.
- The ECO symbol is displayed if the robotic lawnmower is set in *ECO mode*.
- The clock symbol indicates when the timer settings are set. The clock symbol is black when the robotic lawnmower is not allowed to mow due to a timer setting.

- The *MENU* text illustrates that the main menu can be reached by pressing the multi-choice button that is located under the text.

Main menu

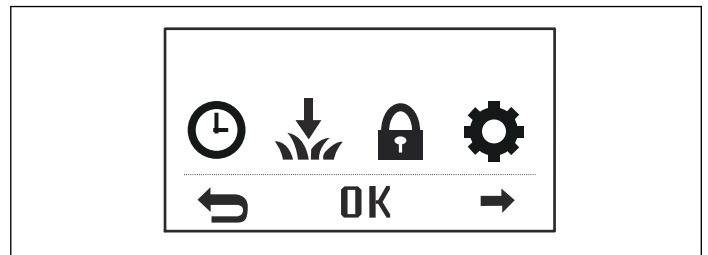
The main menu for the McCULLOCH ROB R600 offers three options:

- Timer
- Security
- Settings

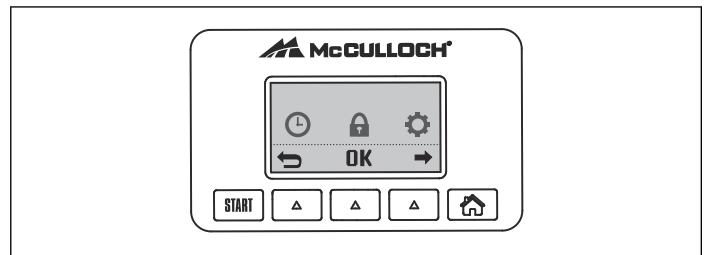


The main menu for the McCULLOCH ROB R1000 offers four options:

- Timer
- Installation
- Security
- Settings



There are a number of submenus under each option. You can access all the functions to set the robotic lawnmower settings via the submenus.



Browse between menus

Browse between the main menu and submenus using the multi-choice buttons. Enter values and times using the number keys and confirm each selection with the multi-choice button marked **OK**. Press the multi-choice button with the *return arrow* to go up a step in the menu or keep the operation selection button pressed in for 2 seconds to go directly back to the main menu.





Submenus

Certain submenus contain options that are ticked off to the left. This means that these options are selected. Check or uncheck the box by pressing **OK**.

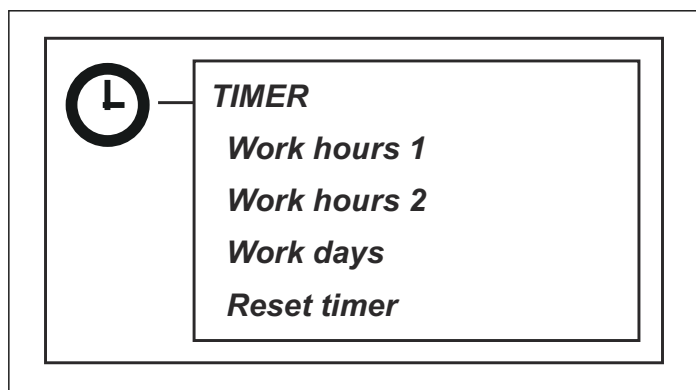
In some of the submenus there is information to the right of specific rows. This information indicates which selection has been made for the function.

Menu structure

The following table summarises the menu selections found in the main menu. The following chapter provides more detailed information about how each function is used and which setting options are available.

	<p><i>Timer</i></p> <p>The lawn should not be cut too often to obtain the best mowing result. Consequently, it is important to limit the operating time using the timer function if the working area is less than the robotic lawnmower's working capacity. The timer function is also an ideal tool to control which periods the robotic lawnmower should not mow, for example, when the children are playing in the garden.</p>
	<p><i>Installation</i></p> <p>Only for ROB R1000</p> <p>This menu function is used to steer the robotic lawnmower to remote parts of a working area. For many working areas there is no need to alter the factory settings, but depending on the lawn complexity the mowing result can be improved by making manual settings.</p>
	<p><i>Security</i></p> <p>In this menu, settings relating to security and the connection between the robotic lawnmower and the charging station can be made.</p> <p>There are three security levels to choose from but it is also possible to define your own combination of security functions.</p>
	<p><i>Settings</i></p> <p>This selection allows you to make changes to the general robotic lawnmower settings such as date and time.</p>

Timer



The lawn should not be cut too often to obtain the best mowing result. Consequently, it is important to limit the operating time using the timer function if the working area is less than the robotic lawnmower's working capacity. When the robotic lawnmower is allowed to mow too much, the lawn may appear flattened. Besides, the robotic lawnmower is subjected to unnecessary wear.

The timer function is also an ideal means to control which work hours the robotic lawnmower should not mow, for example, when the children are playing in the garden.

ROB R1000 has an inbuilt standby period of about 4 hours a day and ROB R600 has an inbuilt standby period of about 11 hours per day. The robotic lawnmower is parked in the charging station during this period. See *Standby on page 33*.

The factory setting of the *Timer* is 07:00 - 23:00 (7 am - 11 pm) Mon - Sun. If setting the timer manually, calculate that the robotic lawnmower mows about the listed amount of the number of square meters per hour and day listed in table Work capacity.

The table below provides suggestions for different timer settings depending on garden size. The table can be used to set the operating time. The times should be seen as indicative. They may need to be adjusted to suit the garden and for example grass quality and growth. Use the table as follows:

- Find a work area that closest matches the garden's area.
- Select an appropriate amount of work days per week (for some work areas 7 days may be needed).
- Work hours per day shows how many hours a day the robotic lawnmower will be allowed to work for the selected amount of work days.

- Suggested time interval shows a time interval that corresponds to the required work hours per day.

Timer suggestions

ROB R600			
Work area	Work days per week	Work hours per day	Suggested time interval
100 m ² / 1100 sq. ft	5	3 hours	07:00 - 10:00 (7 am - 10 am)
	7	2.5 hours	07:00 - 9:30 (7 am - 9:30 am)
200 m ² / 2200 sq. ft	5	6.5 hours	07:00 - 13:30 (7 am - 1:30 pm)
	7	4.5 hours	07:00 - 11:30 (7 am - 11:30 am)
400 m ² / 4300 sq. ft	5	13 hours	07:00 - 20:00 (7 am - 8 pm)
	7	9 hours	07:00 - 16:00 (7 am - 4 pm)
600 m ² / 6500 sq. ft	6	16 hours	07:00 - 23:00 (7 am - 11 pm)
	7	13.5 hours	07:00 - 20:30 (7 am - 8:30 pm)

Timer suggestions

ROB R1000			
Work area	Work days per week	Work hours per day	Suggested time interval
100 m ² / 1100 sq. ft	5	3 hours	07:00 - 10:00 (7 am - 10 am)
	7	2 hours	07:00 - 09:00 (7 am - 9:30 am)
200 m ² / 2200 sq. ft	5	5.5 hours	07:00 - 12:30 (7 am - 0:30 pm)
	7	4 hours	07:00 - 11:00 (7 am - 11 am)
400 m ² / 4300 sq. ft	5	11.5 hours	07:00 - 18:30 (7 am - 6:30 pm)
	7	8 hours	07:00 - 15:00 (7 am - 3 pm)
600 m ² / 6500 sq. ft	6	14 hours	07:00 - 21:00 (7 am - 9 pm)
	7	12 hours	07:00 - 19:00 (7 am - 7 pm)
800 m ² / 8600 sq. ft	7	16 hours	07:00 - 23:00 (7 am - 11 pm)
1000 m ² / 10 800 sq. ft	7	20 hours	05:00 - 01:00 (5 am - 1 am)

To set the timer

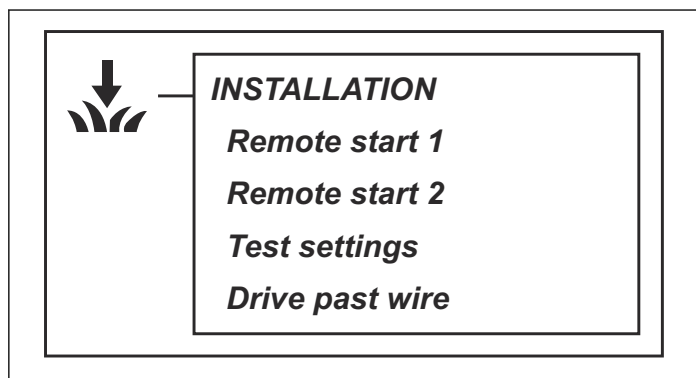
- **Work hours 1:** To set start and stop times for *Work hours 1*, enter each required time in hours and minutes and press *OK* to confirm the entered time.
- **Work hours 2:** To set start and stop times for *Work hours 2*, enter each required time in hours and minutes and press *OK* to confirm the entered time.

- **Work days:** To select the days the robotic lawnmower must work, tick off the days the robotic lawnmower will work
- **Reset timer:** To reset values to the factory settings, select the *Reset timer* and press *OK*.

To inactivate *Work hours 1* or *Work hours 2*, enter the time 00:00 - 00:00 to reset the timer to --:-- - --:--.

A clock symbol is displayed on the start page when the timer settings are set. The clock symbol is black when the robotic lawnmower is not allowed to mow due to a timer setting.

Installation - ROB R1000



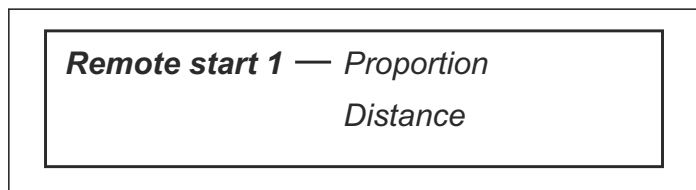
The following operating settings are available via this selection in the main menu.

- **Remote start 1:** To control the robotic lawnmower so that it can easier reach remote parts of the garden.
- **Remote start 2:** To control the robotic lawnmower so that it can easier reach remote parts of the garden.
- **Test settings:** To check the above settings.
- **Drive past wire:** To set the distance over the boundary wire that the robotic lawnmower should travel before turning back.

For examples of garden settings, see *Garden examples on page 29*.

Remote start 1

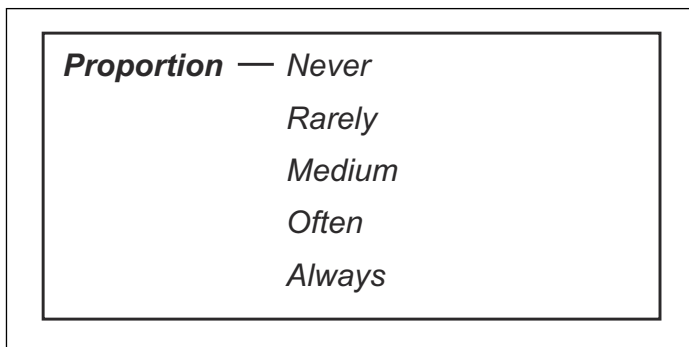
One important function with the guide wire is the possibility to steer the robotic lawnmower to remote garden areas when required. This function is very useful in gardens where, for instance, the front and back are joined by a narrow passage.



Proportion

With this function activated, (any option other than *Never* is selected) the robotic lawnmower will at times follow the guide wire from the charging station to the remote area and begin mowing there.

How often the robotic lawnmower must follow the guide wire from the charging station is selected as a proportion of the total number of times it leaves the charging station. At all other times, the robotic lawnmower leaves the charging station in the standard manner and starts to mow.



- The following five options can be selected;
 - *Never* (0%)
 - *Rarely* (approx. 20%)
 - *Medium* (approx. 50%)
 - *Often* (approx. 80%)
 - *Always* (100%)

Select the percentage that corresponds to the size of the remote area relative to the total working area. If the remote area is for instance less than half of the total working area, then *Rarely* should be selected. If the remote area is for instance half of the total working area, *Medium* should be selected. Compare with the examples in *Garden examples on page 29*

The default setting is *Rarely*.

Distance

Enter the distance in metres along the guide wire from the charging station to the remote area where the robotic lawnmower begins mowing. Tips! Use the *Test OUT* function to determine how far it is to the remote area. The distance, stated in metres, will be shown in the robotic lawnmower's display.

Remote start 2

If the working area contains two remote areas, the guide wire should be installed so that it reaches both areas. *Remote start 1* and *Remote start 2* can then be combined to steer the robotic lawnmower to each area.

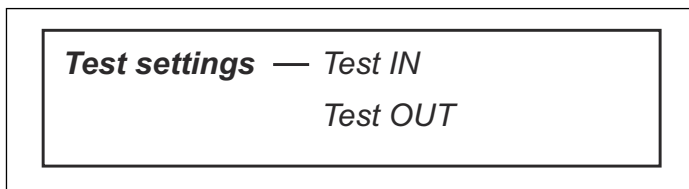
The settings for *Proportion* and *Distance* are carried out in the same way as for *Remote start 1*.

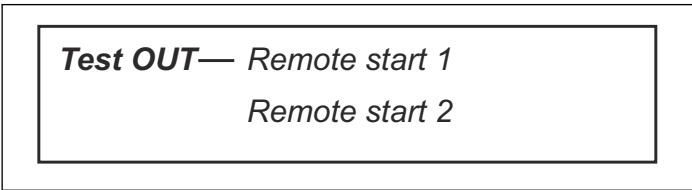
The default setting is *Never*.

Take into account that the total figure for *Proportion* cannot exceed 100%. If one has for instance selected *Often* for *Remote start 1*, then one can only select *Never* or *Rarely* for *Remote start 2*.

Test settings

In the *Test settings* menu, it is possible to test how the settings for *Remote start 1* and *Remote start 2* work in the working area in question.





Test OUT

The *Test OUT* function is used to test the installation and to calculate the distance from the charging station to a remote area.

To test the settings in *Remote start 1*:

Park the robotic lawnmower in the charging station and select *Test OUT - Remote start 1*. The robotic lawnmower will then leave the charging station straight away along the guide wire and begin mowing after the designated distance.

How to measure the distance from the charging station to a remote area:

Enter a distance which beyond any doubt exceeds the real figure. The maximum distance that can be entered is 100 m / 330 ft. Park the robotic lawnmower in the charging station and select *Test OUT*. The robotic lawnmower will immediately leave the charging station. The distance, stated in metres, will be shown in the mower display as the robotic lawnmower operates. Stop the robotic lawnmower at the required position and note the distance. Enter the displayed number of metres in the *Distance* field for the working area in question.

If *Remote start 2* has been activated, i.e. if another option other than Never has been selected for *Proportion*, these settings must also be tested. *Remote start 2* test is performed in the same way as for *Remote start 1*.

Test IN

The *Test IN* function allows you to test how well the robotic lawnmower docks with the charging station.

Test IN can only be performed after *Test OUT* has been performed.

Selecting this function causes the robotic lawnmower to travel directly along the guide wire towards the charging station and to dock with it. The test is approved only if the robotic lawnmower is able to dock with the charging station at the first attempt. If the robotic lawnmower is unable to dock on the first attempt, it will automatically try again. The installation is not approved if the robotic lawnmower needs two or more attempts to dock with the charging station.

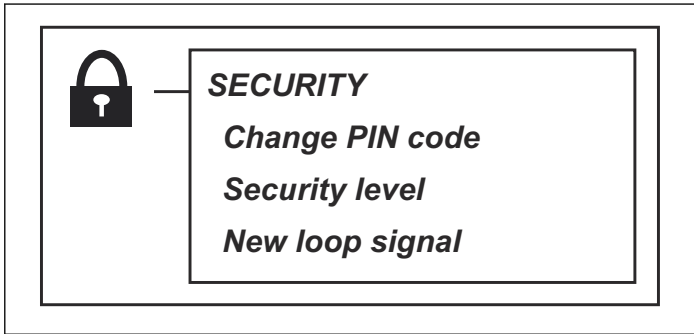
Drive past wire

The front of the robotic lawnmower always passes the boundary wire by a specific distance before the mower turns around. The default distance is 25 cm / 10", but this can be changed if required. The minimum value is 20 cm / 8" and the maximum value is 30 cm / 12". Note that the distance given is only an approximate value and should be regarded as a guide. In reality, the actual distance the robotic mower passes the boundary wire can vary.

Specify the number of centimeters / inches you want the robotic lawnmower to pass the boundary wire and press *OK*.

Security

Through this selection, settings relating to security and the connection between the mower and the charging station can be made.



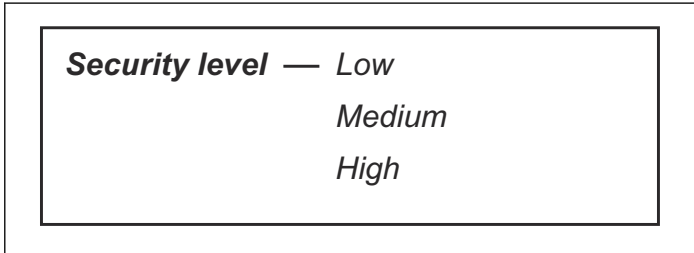
Change PIN code

Enter the new PIN code and press *OK*. Enter the same code again and confirm by pressing *OK*. When the PIN code is changed, a message stating that the PIN code has been changed appears in the display momentarily.

Make a note of the new PIN code on the designated line on the *MEMO* page in the beginning of the manual.

Security level

There are 3 security levels to choose from.



1. *Low*
2. *Medium*
3. *High*

Low and *Medium* security prohibits access to the robotic lawnmower if the PIN code is unknown. *High* security also includes a warning that beeps if the correct PIN code is not entered after a designated time period.

Function	Low	Medium	High
Time lock	X	X	X
PIN request		X	X
Alarm			X

Time lock

This function means that the robotic lawnmower cannot be started after 30 days without first entering the correct PIN code. When the 30 days has passed the robotic lawnmower will continue to mow as normal, but the *Enter*

PIN code message appears when the cover is opened. Enter your code again and press *OK*.

PIN request

This function means that the robotic lawnmower requests a PIN code when the main switch is set to *1* and each time the cover is opened. The correct PIN code must be entered to use the robotic lawnmower.

If the wrong PIN code is entered 5 times in succession the robotic lawnmower is blocked for a time. The blockage time is extended for every new incorrect attempt.

Alarm

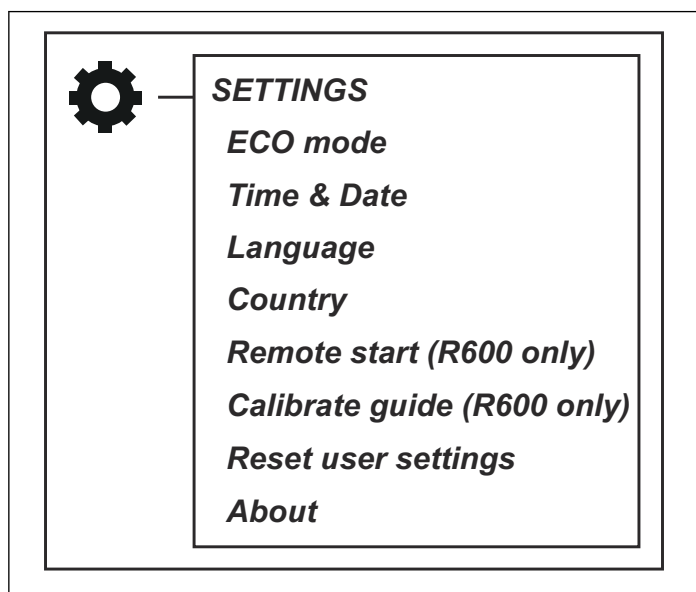
This function means that an alarm sounds if the PIN code is not entered within 10 seconds after the **STOP** button has been pressed or the robotic lawnmower has been lifted up for any reason. A ticking noise indicates that the PIN code must be entered to prevent triggering the alarm. The alarm can be turned off at any time by entering the correct PIN code.

New loop signal

The loop signal is randomly selected to create a unique link between the robotic lawnmower and the charging station. In rare cases, there may be a need to generate a new signal, for instance if two adjacent installations have a very similar signal.

1. Place the robotic lawnmower in the charging station.
2. Select *New loop signal* in the menu and press *OK*.

Settings



ECO

This function automatically turns off the loop signal in the boundary loop, the guide wires and the charging station when the robotic lawnmower is not mowing, i.e. when the lawnmower is charging or is not allowed to mow due to timer settings.

The *ECO mode* is suitable to use where there is other wireless equipment not compatible with the robotic lawnmower e.g. certain hearing loops or garage doors.

When the loop signal is turned off due to the *ECO mode*, the indicator lamp in the charging station flashes green.

When the indicator lamp flashes green the robotic lawnmower can only be started in the charging station and not out in the working area.

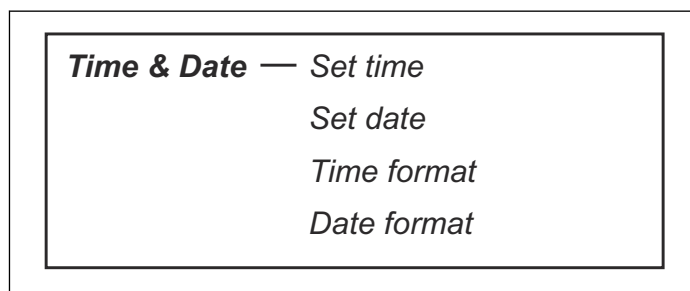
In *ECO mode*, it is very important to always press the **STOP** button before removing the robotic lawnmower from the charging station. In *ECO mode* it is otherwise not possible to start the robotic lawnmower. If the lawnmower has been removed by mistake without first pressing the **STOP** button, the lawnmower must be placed back in the charging station and the **STOP** button pressed. Only then can the robotic lawnmower be started inside the working area.

Note Always press the **STOP** button before removing the robotic lawnmower from the charging station. In *ECO mode* the robotic lawnmower otherwise will not be started inside the working area.

Select *RUN ECO mode* and press *OK* to activate *ECO mode*.

Time & Date

This function allows you to set current time and required time format in the robotic lawnmower.



- **Set time:** Enter the correct time and press *OK* to exit.
- **Set date:** Enter correct date and press *OK* to exit.
- **Time format:** Place the cursor at the required time format: 12h 24h. Press *OK* to exit.
- **Date format:** Place the cursor at the required date format:
YYYY-MM-DD (year-month-day)
MM-DD-YYYY (month-day-year)
DD-MM-YYYY (day-month-year)
Exit by pressing *OK*.

Language

Set language with this function.

To select language: Place the cursor at the required language and press *OK*.

Country

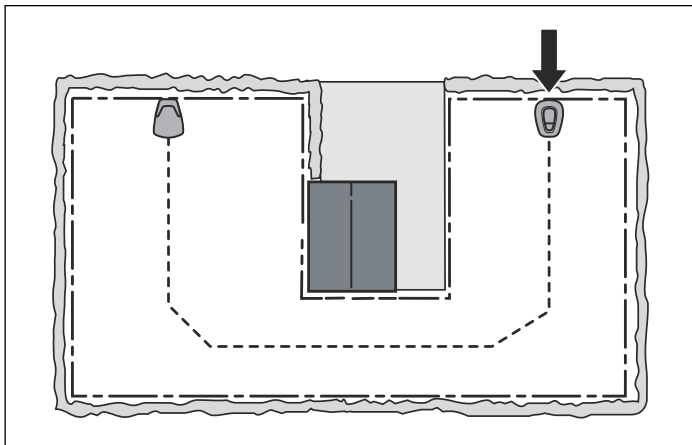
With this function you can select in what country the robotic lawnmower will work.

Place the cursor at the required country and press *OK*.

Remote start, ROB R600 only

One important function with the guide wire is the capacity to steer the robotic lawnmower to remote garden areas when required. This function is very useful in gardens where, for instance, the front and back are joined by a

narrow passage where the charging station cannot be installed.



Remote start — *Proportion*

Proportion — *Never*
Rarely
Medium
Often
Always

With this function activated, (any option other than *Never* is selected) the robotic lawnmower will follow the guide wire from the charging station to the point where the guide wire connects to the boundary wire. It begins to mow when it reaches this point. How often it must follow the guide wire from the charging station is selected as a proportion of the total number of times it leaves the charging station. At all other times, the robotic lawnmower leaves the charging station in the standard manner and starts to mow.

The following five options can be selected:

1. *Never* (0%)
2. *Rarely* (approx. 20%)
3. *Medium* (approx. 50%)
4. *Often* (approx. 80%)
5. *Always* (100%)

Select the percentage that corresponds to the size of the remote area relative to the total working area. If the remote area is for instance less than half of the total working area, then *Rarely* should be selected. If the remote area is for instance half of the total working area, *Medium* should be selected. Compare with the examples in *Garden examples on page 29*

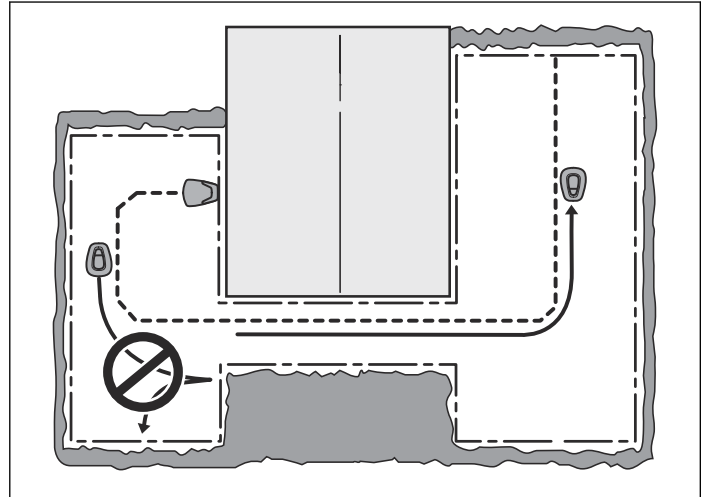
The default setting is *Rarely*.

Calibrate guide, ROB R600 only

The *Calibrate guide* function allows you to test if the robotic lawnmower can follow the guide wire out from the charging station.

To test the guide wire:

1. Place the robotic lawnmower in the charging station.
2. Select *Calibrate guide* and press *OK*. The robotic lawnmower will now leave the charging station, run a calibration process in front of the charging station and then follow the guide wire to the connection point with the boundary wire and then start mowing.
3. Check that the robotic lawnmower can follow the guide wire all the way to the connection point with the boundary wire.



The test has failed if the robotic lawnmower cannot follow the guide wire all the way to the connection point with the boundary wire. It is likely that the installation has not been carried out in accordance with the instructions in *Installation of the guide wire on page 18*. Common errors are for instance that there is not enough open space to the left of the guide wire as seen facing the charging station or that the guide wire is not laid at an angle on a steep slope. See *Laying and connecting the guide wire on page 19*

Rectify the installation and run a new test with *Calibrate guide*.

Reset user settings

This function allows you to reset the robotic lawnmower to the default settings it had when it left the factory.

1. Select *Reset user settings* in the menu and press *OK*.
2. Enter the correct PIN code and press *OK*.

About

The About menu displays information about the robotic lawnmower's model, serial number and the different softwares.

Garden examples

The robotic mower's behaviour is controlled to a certain extent by what settings are made. Adapting the robotic lawnmower's garden settings according to the shape of the garden makes it easier for the robotic lawnmower to frequently reach all parts of the garden and in doing so achieve a perfect mowing result.

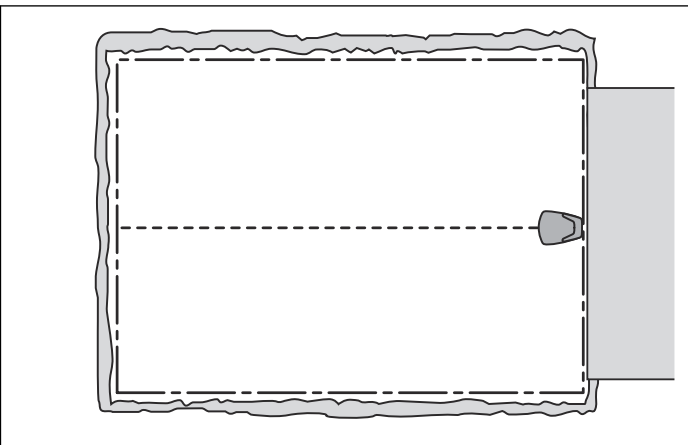
Different gardens require different settings. The following pages outline a number of examples of gardens with installation proposals and settings.

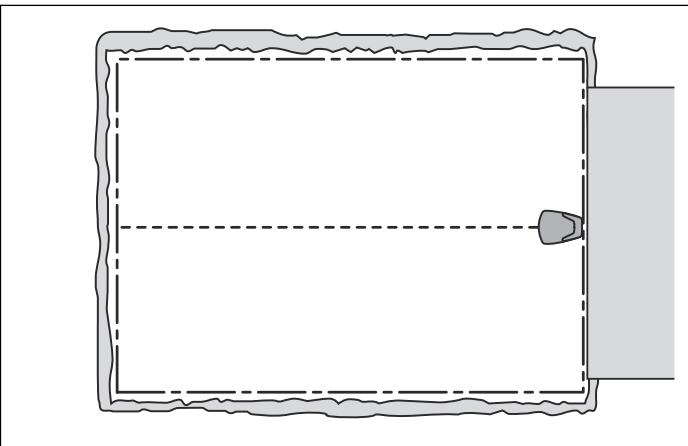
The recommended timer settings in the following garden example are applicable to ROB R600 unless otherwise stated.

There is more installation help on www.mcculloch.com.

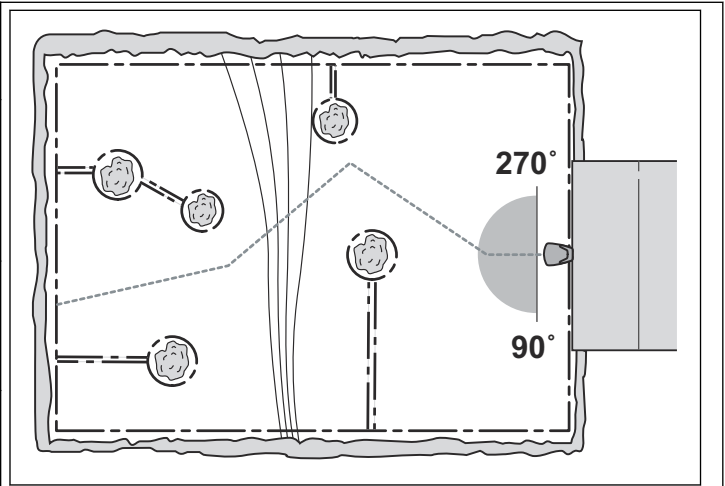
Note The default setting for the robotic lawnmower has been chosen to work in as many different gardens as possible. The settings only need to be adjusted when special installation conditions exist.

Installation proposals and settings

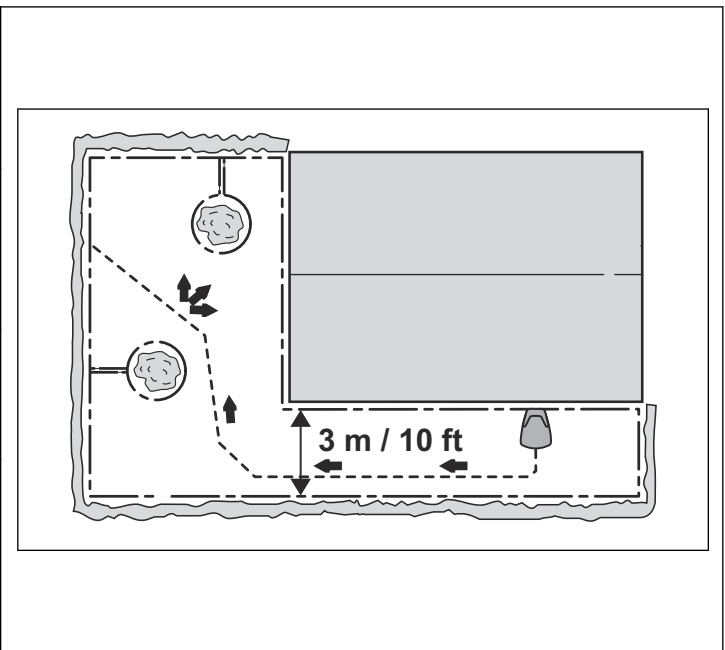
Area	150 m ² / 1600 sq. ft. Open and level area.	
Timer	07:00-17:00 (7 am - 5 pm) Monday, Tuesday, Wednesday, Friday	
Remote start - Proportion	Never	
Remarks	The timer should be used to prevent the grass looking trampled since the area is less than the maximum capacity of the robotic lawnmower.	

Area	400 m ² / 4300 sq. ft. Open area.	
Timer	07:00-23:00 (7 am - 11 pm) (factory setting) Monday-Sunday	
Remote start - Proportion	Never	
Remarks	The factory settings are suitable for this installation.	

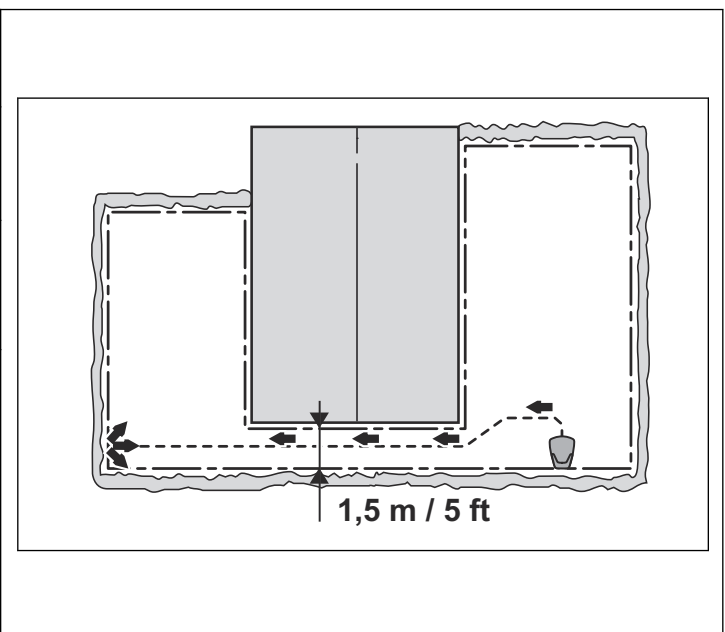
Area	400 m ² / 4300 sq. ft. A number of islands and a 25% slope.
Timer	07:00-23:00 (7 am - 11 pm) (factory setting) Monday-Sunday
Remote start - Proportion	<i>Rarely</i> (factory setting)
Remarks	Place the charging station in the lower part of the working area. Lay the guide wire at an angle over the steep slope.

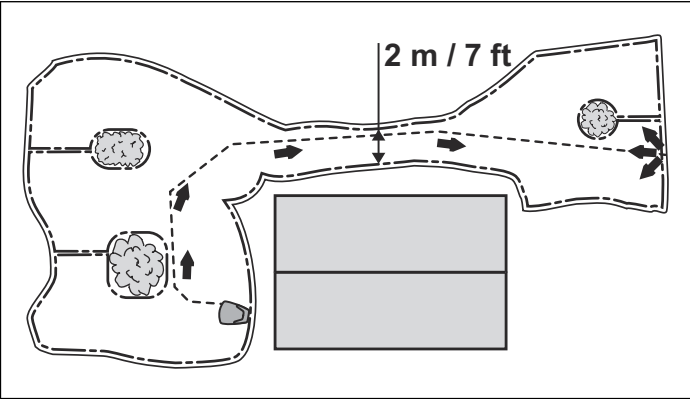


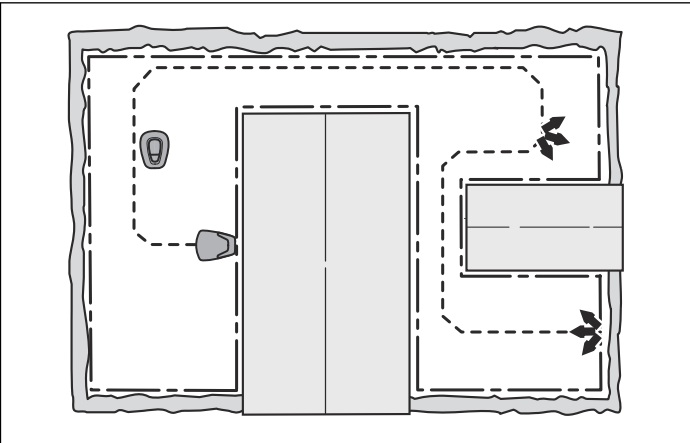
Area	200 m ² / 2200 sq. ft. L-shaped garden with charging station installed in the narrow area. Contains a couple of islands.
Timer	07:00-22:00 (7 am - 10 pm) Monday, Tuesday, Wednesday, Friday
Remote start - Proportion	<i>Often</i>
Remarks	As most of the working area can easily be reached by the robotic lawnmower following the guide wire out from the charging station, select Proportion: <i>Often</i> .



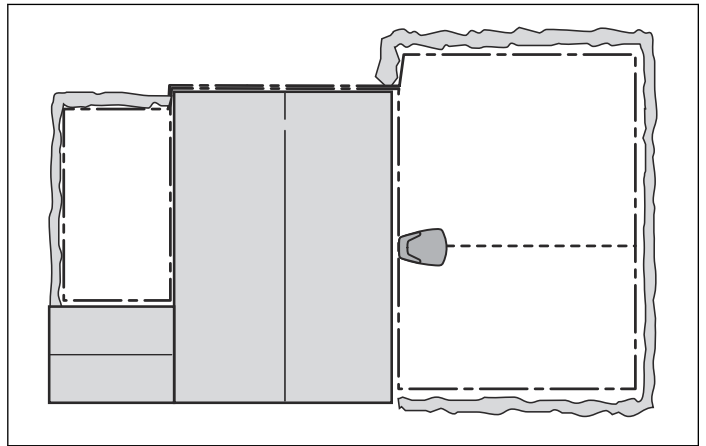
Area	250 m ² / 2700 sq. ft. U-shaped garden linked with a narrow passage.
Timer	07:00-22:00 (7 am - 10 pm) Monday, Friday
Remote start - Proportion	<i>Medium</i>
Remarks	The guide wire must be placed along the narrow passage to ensure that the robotic lawnmower can with ease locate the charging station from the left hand side of the working area. The Proportion: <i>Medium</i> is selected as the left hand area is nearly half of the total area.



Area	150 m ² / 1600 sq. ft . Unsymmetrical working area with a narrow passage and a number of islands.	
Timer	07:00-17:00 (7 am - 5 pm) Monday, Tuesday, Wednesday, Friday	
Remote start - Proportion	<i>Rarely</i> (factory setting)	
Remarks	The guide wire must be placed along the narrow passage to ensure that the robotic lawnmower can with ease locate the charging station from the right hand side of the working area. Select Proportion: <i>Rarely</i> as the right hand area is a small fraction of the total area.	

Area	Applies to the McCULLOCHROB R1000 only. 400 m ² / 4300 sq. ft. Three areas linked with two narrow passages.	
Timer	07:00-23:00 (7 am - 11 pm) Monday, Tuesday, Thursday, Friday	
Remote start 1 - Proportion	<i>Rarely</i>	
Remote start 2 - Proportion	<i>Rarely</i>	
Remarks	As the working area contains three areas linked by two narrow passages, <i>Remote start 1</i> and <i>Remote start 2</i> must be used to obtain an even mowing result across the entire working area. The McCULLOCHROB R1000 is therefore recommended for this working area.	

Area	200 m ² + 50 m ² / 2200 + 550 sq. ft in a secondary area.
Timer	07:00-18:00 (7 am - 6 pm) Monday, Tuesday, Thursday, Friday
Remote start - Proportion	Rarely (factory setting)
Remarks	The secondary area is cut using the <i>MAN</i> mode on Wednesday and Saturday.




Operation

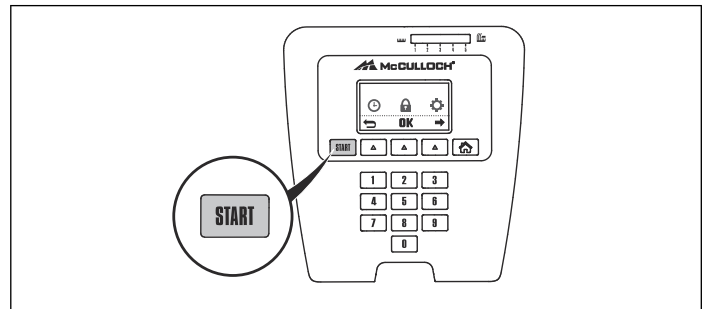
Operation selection

The operation selection button is symbolised by a house. When the button has been pressed, the selected operation mode is shown in the display. By consecutively pressing the button many times, one can choose between three different operation modes.

1. **HOME:** Sends the robotic lawnmower to the charging station. It remains here until another operation mode is selected. The text *HOME* is shown in the operation window. When the battery is fully charged, the robotic lawnmower will remain parked in the charging station. The robotic lawnmower will first leave the charging station and begin mowing again when the operation selection is altered to *AUTO*. The Home setting is also used after a new installation or when changes are made to an existing installation to test if the robotic lawnmower can follow the guide wire and dock with the charging station. See *Test docking with the charging station on page 21*
2. **AUTO:** The standard, automatic operation mode where the robotic lawnmower mows and charges automatically.
3. **MAN:** When mowing secondary areas (see *Secondary areas on page 15*), the *MAN* setting must be used. If *MAN* is selected and the robotic lawnmower starts when it is out on the lawn, it will mow until the battery runs out. It will then stop and the *Needs manual charging* message will appear. The robotic lawnmower must then be moved manually to the charging station and then started manually after charging. If the robotic lawnmower charges in the *MAN* mode, it will fully charge, move about 20 cm / 8" out of the charging station and then stop. This indicates that it is charged and ready to start mowing. If the main working area has to be cut after charging, it is appropriate to switch the operation mode to *AUTO* before placing the robotic lawnmower in the charging station.

 **CAUTION** Always press the **START** button before closing the hatch to start the robotic lawnmower. If the **START** button is not pressed, a message

beep is heard and the robotic lawnmower will not start.



Main switch



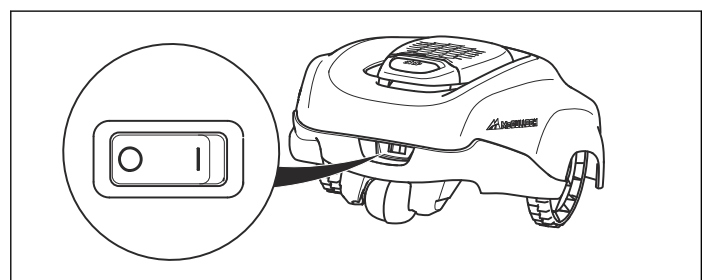
WARNING Read the safety instructions carefully before you start your robotic lawnmower.



WARNING Keep your hands and feet away from the rotating blades. Never put your hands or feet close to or under the body when the motor is running.



WARNING Never use the robotic lawnmower when persons, especially children, or pets, are in the cutting area.



Set the main switch in the 1 position to start the robotic lawnmower.

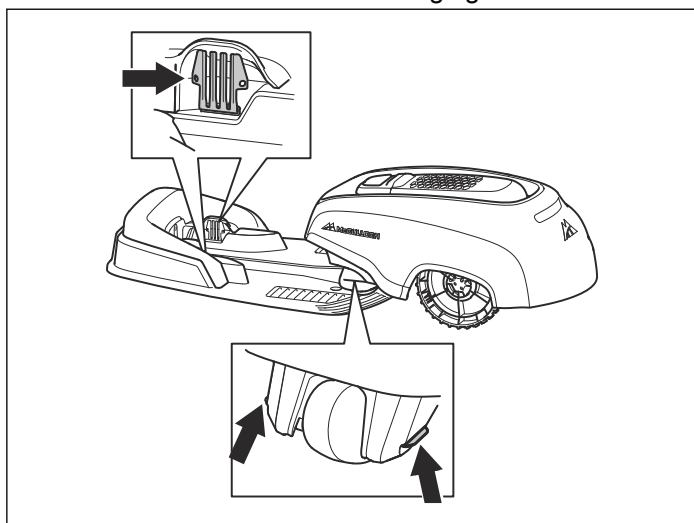
Set the main switch in the 0 position when the robotic lawnmower is not in use or work is being carried out on the blade disc.

When the main switch is set in the 0 position the motors on the robotic lawnmower cannot start.

Charging a flat battery

When the McCULLOCH robotic lawnmower is new or has been stored for a long period, the battery will be flat and needs to be charged before starting. Charging takes approximately 80 to 100 minutes.

1. Set the main switch to position 1.
2. Park the robotic lawnmower in the charging station. Open the hatch and slide the robotic lawnmower in as far as possible to ensure proper contact between the robotic lawnmower and the charging station.



3. The display shows a message that charging is in progress.

Timer and Standby

Use the timer function (see *Timer on page 23*) to avoid a downtrodden lawn.

Standby

The robotic lawnmower has an inbuilt standby period according to the Standby time table. The standby period provides for instance a good opportunity to water or play games on the lawn.

Model	Standby time
McCULLOCH ROB R600	At least 11 hours per day
McCULLOCH ROB R1000	At least 4 hours per day

Setting the timer

When setting the timer, calculate that the robotic lawnmower mows about the amount of the number of square meters per hour and day listed in table Work capacity.

Model	Work capacity
McCULLOCH ROB R600	About 43 m ² / 460 sq. ft per hour and day
McCULLOCH ROB R1000	About 48 m ² / 520 sq. ft per hour and day.

If the working area is for example 360 m² / 3900 sq. ft in size, ROB R1000 must operate for 7,5 hours a day. The times are approximate and depend for instance on grass quality, blade sharpness and battery age.



WARNING Use the timer to avoid mowing when there are usually children, pets and anything else that could be damaged by the rotating blades on the lawn.

The factory setting for the timer is 07:00-23:00 (7 am - 11 pm) and it allows mowing every day of the week. This setting is suitable for the listed maximum working area.

If the size of the working area allows it, the quality of the grass can be further improved if it is cut every other day instead of a few hours every day. In addition, the grass benefits from resting completely during at least a three-day period once a month.

Example 1

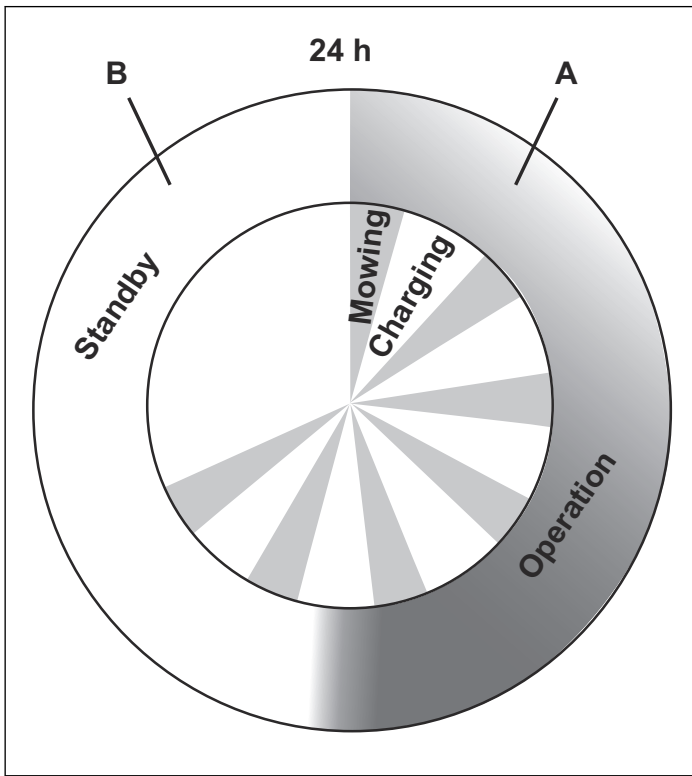
The times used in this example are applicable to ROB R600, but the principle is the same for other models.

Work period 1: 07:00-23:00 (7 am - 11 pm)

Work days: All days.

The factory setting ensures that the robotic lawnmower begins cutting the lawn at 07:00 (7 am). The mower is parked in the charging station from 20:00 (8 pm) and rests until it starts cutting again at 07:00 (7 am).

If the timer setting is divided into two work periods, the standby period can be divided into a number of periods. The minimum standby period time must however be a according to the Standby time table.



ROB R600	
Operation	A = Max 13 h
Charging/Standby	B = Min 11 h

Example 2

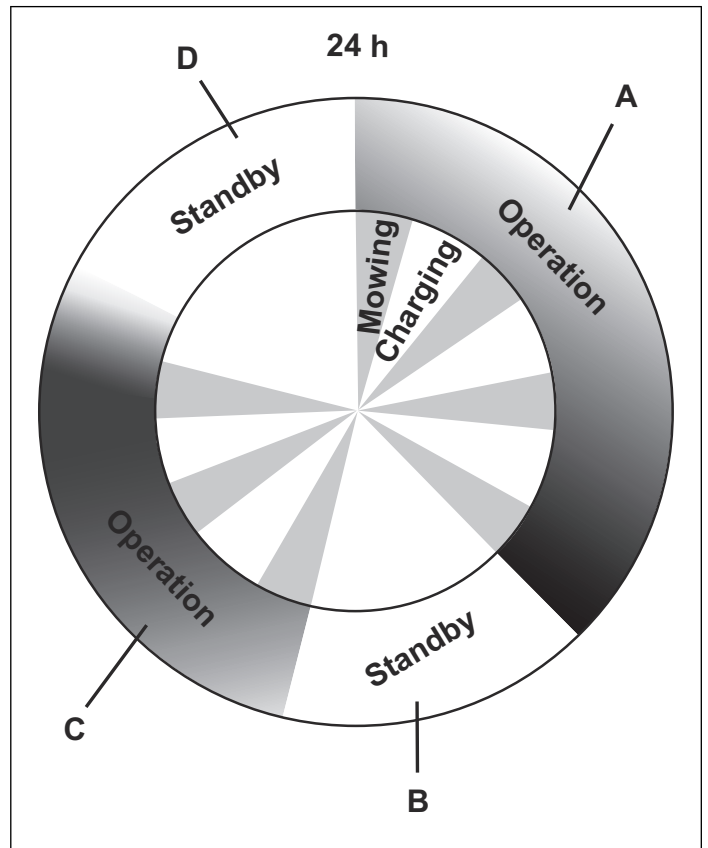
The times used in this example are applicable to ROB R600, but the principle is the same for the other models.

Work period 1: 06:00 (6 am) - 17:00 (5 pm)

Work period 2: 20:00 (8 pm) - 22:00 (10 pm)

Work days: All days.

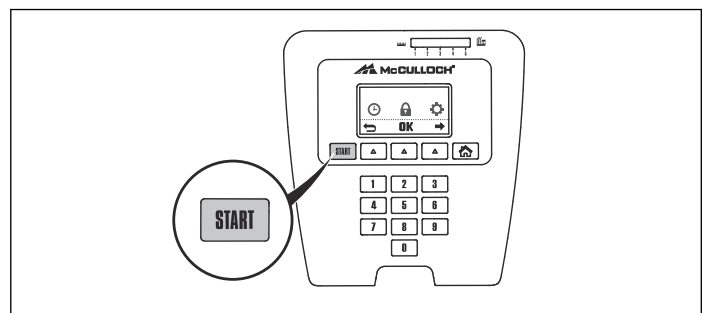
The robotic lawnmower will operate between 06:00 (6 am) and 17:00 (5 pm). It will begin again at 20:00 (8 pm) and stops running at 22:00 (10 pm) to rest until it starts again at 06:00 (6 am).



ROB R600	
Operation	A + C = Max 13 h
Charging/Standby	B + D = Min 11 h

Starting

1. Press the **STOP** button to open the hatch.
2. Set the main switch to position 1.
3. Enter the PIN code.
4. Push the **START** button.



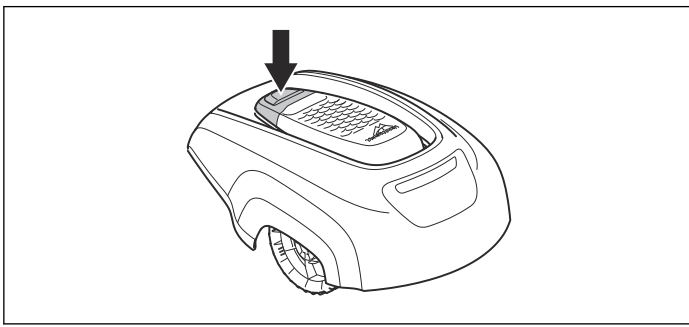
5. Shut the hatch within 10 seconds.

If the robotic lawnmower is parked in the charging station, it will only leave the charging station when the battery is fully charged and if the timer is set to allow the mower to operate.

Note Before the blade disc starts, 5 beeps are heard for 2 seconds.

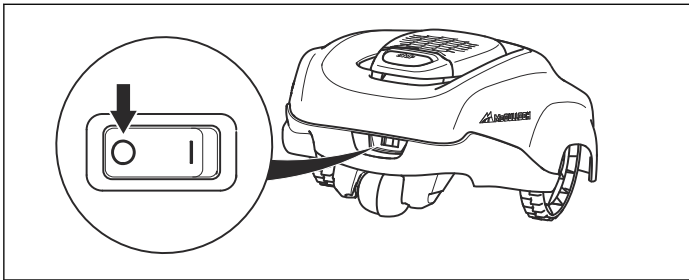
Stopping

1. Press the **STOP** button. The robotic lawnmower stops, the blade motor stops and the hatch opens.



Switching off

1. Press the **STOP** button.
2. Set the main switch in position 0.



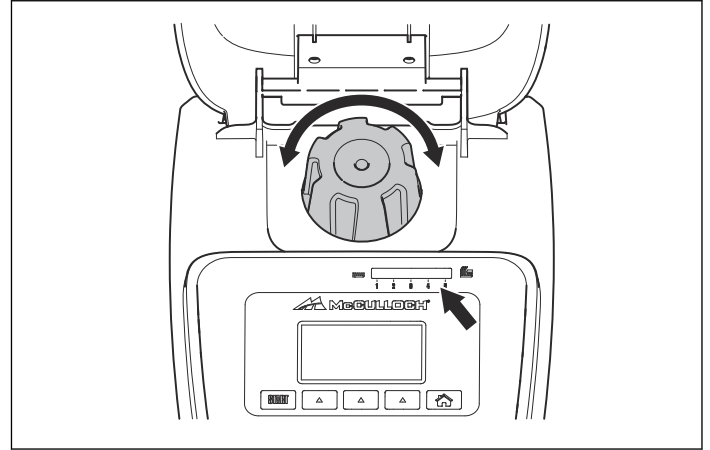
Always switch the robotic lawnmower off using the main switch if it requires maintenance or if the robotic lawnmower must be moved outside the working area.

Adjusting the cutting height

The cutting height can be varied from MIN (2 cm / 3/4") to MAX (5 cm / 2").

To adjust the cutting height:

1. Press the **STOP** button to stop the robotic lawnmower and open the hatch.
2. Turn the height adjustment knob to the required position. The selected position is indicated by the orange column on the height adjustment indicator.
 - Turn anti-clockwise to raise the cutting height.
 - Turn clockwise to lower the cutting height.



Note During the first week after a new installation, the cutting height must be set to MAX to avoid damaging the loop wire. After this, the cutting height can be lowered step by step every second week until the desired cutting height has been reached.

Maintenance

Introduction - maintenance

Check and clean the robotic lawnmower regularly and replace worn parts if necessary to improve operating reliability and to ensure a longer service life. For further information on cleaning, see *Cleaning on page 35*.

When the robotic lawnmower is first used, the blade disc and blades should be inspected once a week. If the amount of wear during this period has been low, the inspection interval can be increased.

It is important that the blade disc rotates easily. The edges of the blades should not be damaged. The lifetime of the blades varies immensely and depends for instance on:

- Operating time and size of the working area.
- Type of grass.
- Type of soil.
- The presence of objects such as cones, windfalls, toys, tools, stones, roots and the like.

The normal life is 2 to 4 months when used in areas more than 300 m² / 3200 sq. ft in size and longer for smaller areas. See *Replacing the blades on page 36* on how to replace the blades.

Note Working with dull blades gives a poorer mowing result. The edges of the grass are not cut clean and more energy is needed resulting in the robotic lawnmower not mowing such a large area.

Cleaning

It is important to keep the robotic lawnmower clean. A mower with large amounts of grass stuck to it will not cope as well with slopes. It is recommended to clean using a brush.



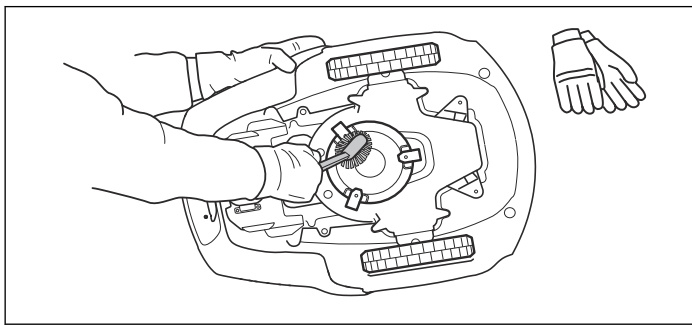
CAUTION Never use a high-pressure washer or even running water to clean the robotic lawnmower. Never use solvents for cleaning.

Chassis and blade disc



CAUTION Wear protective gloves.

1. Set the main switch to position 0.
2. Lift the robotic lawnmower onto its side.
3. Clean the blade disc and chassis using for example a dish brush. At the same time, check that the blade disc rotates freely in relation to the foot guard. Also, check that the blades can pivot freely. If long grass or other objects find their way in, these may impede the blade disc. Even a slight braking effect leads to a higher consumption of energy and longer mowing times, and at worst will prevent the robotic lawnmower from being able to mow a large lawn.

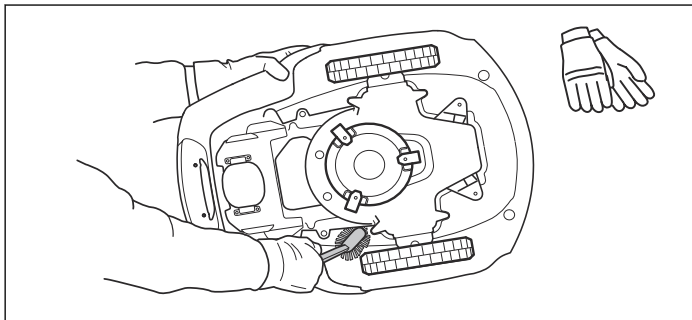


Chassis

Clean the underside of the chassis. Brush or wipe with a damp cloth.

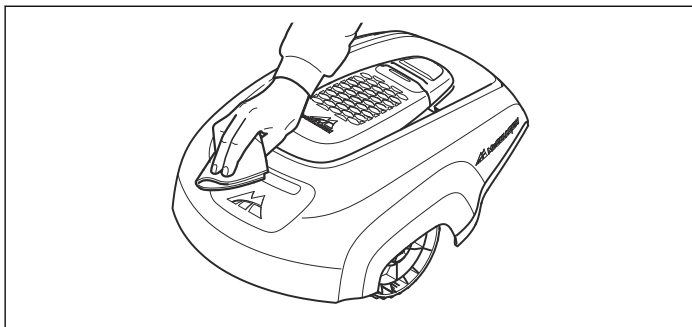
Wheels

Clean around the front wheels and rear wheel as well as the rear wheel bracket.



Body

Use a damp, soft sponge or cloth to clean the body. If the body is very dirty it may be necessary to use a soap solution or washing-up liquid.



Charging station

Clean the charging station regularly from grass, leaves, twigs and other objects that may impede docking.

Replacing the blades



WARNING Always use original blades and screws when replacing. Only replacing the blades and reusing the screw can result in a screw wearing during mowing and shearing. The blades can then be propelled from under the body and cause serious injury.

There are 3 blades on the robotic lawnmower, which are screwed into the blade disc. All 3 blades and screws must be replaced at the same time to obtain a balanced mowing system.

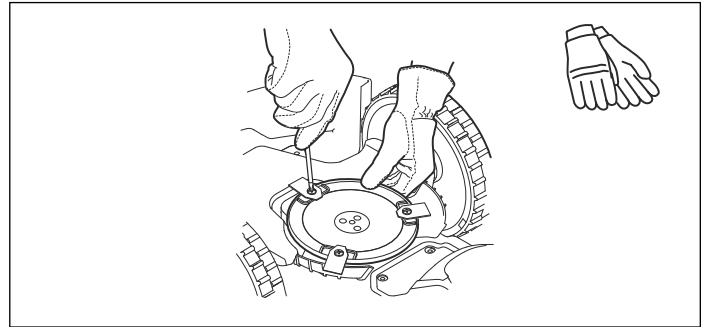
Use McCULLOCH approved original blades, see *Guarantee terms on page 47.*



CAUTION Wear protective gloves.

To replace the blades:

1. Set the main switch to position 0.
2. Turn the robotic lawnmower upside down.
3. Remove the 3 screws. Use a straight slot or cross-tip screwdriver.



4. Remove each blade and the screw.
5. Fasten new blades and screws.
6. Check that the blades can pivot freely.

Replacing the battery

The battery is maintenance-free, but has a limited life span of 2 to 4 years.

Battery life is dependent on the length of the season and how many hours a day the robotic lawnmower is used. A long season or many hours of use a day means that the battery must be replaced more regularly.



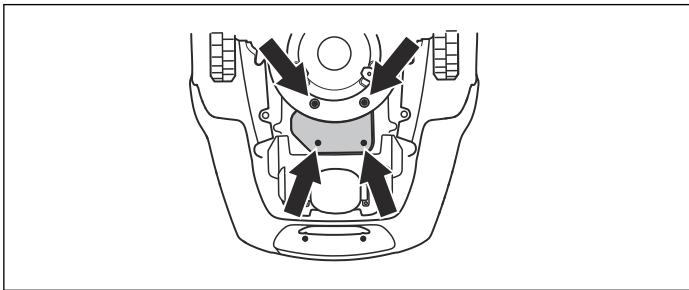
CAUTION The battery must be charged fully before winter storage. If the battery is not fully charged it can be damaged and in certain cases be rendered useless.

If the operating times for the robotic lawnmower are shorter than normal between charges, this indicates that the battery is getting old and eventually needs replacing. The battery is fine as long as the robotic lawnmower maintains a well-cut lawn.



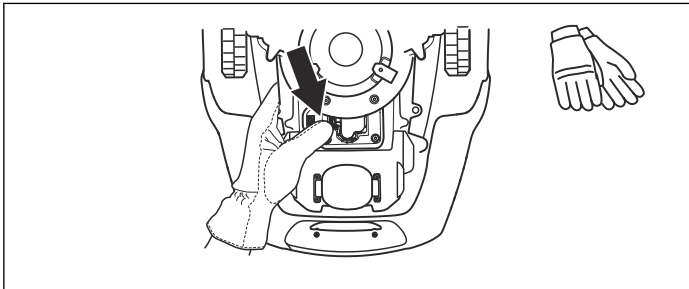
WARNING Use only original batteries recommended by the manufacturer. Product safety cannot be guaranteed with other than original batteries. Do not use non-rechargeable batteries.

1. Set the main switch in position 0.
2. Lower the cutting height to its lowest position.
3. Turn the robotic lawnmower upside down. Place the robotic lawnmower on a soft and clean surface to avoid scratching the body and the display cover.
4. Clean around the battery cover.
5. Unscrew the four screws to the battery cover (Torx 20) and remove the battery cover.



6. Unscrew the one screw of the battery retaining bracket and remove the bracket.
7. Pull out the battery by pulling on the strap.
8. Fit a new original battery.

Note Press on the contact strip to fit the battery in place and not on the battery pack itself.



9. Fit the battery retaining bracket and screw it back in place.
10. Fit the battery cover without clamping the cables. If the seal on the battery cover is visibly damaged, the entire battery cover must be replaced.
11. Screw in place the four screws for the battery cover (Torx 20).
12. Reset the cutting height to the required level.

Troubleshooting

Introduction - troubleshooting

In this chapter, a number of messages are listed which may be shown in the display if there is a malfunction. There is a proposal as to the cause and steps to take for each message. This chapter also presents some symptoms that can guide you if the robotic lawnmower does not work as expected. More suggestions for steps to take in the event of malfunction or symptoms can be found on www.mcculloch.com.

Messages

Below a number of messages are listed which may be shown in the display of the robotic lawnmower. Contact your local McCULLOCH representative if the same message appears often.

Message	Cause	Action
<i>Wheel motor blocked, left</i>	Grass or other object has wrapped around the drive wheel.	Check the drive wheel and remove the grass or other object.
<i>Wheel motor blocked, right</i>	Grass or other object has wrapped around the drive wheel.	Check the drive wheel and remove the grass or other object.
<i>Cutting system blocked</i>	Grass or other object has wrapped around the blade disc.	Check the blade disc and remove the grass or other object.
	The blade disc lies in a pool of water.	Move the robotic lawnmower and if possible prevent the collection of water in the working area.

Message	Cause	Action
<i>No loop signal</i>	The power supply is not connected.	Check the wall socket connection and whether an earth-fault breaker has tripped or not. Check that the low voltage cable is connected to the charging station.
	The boundary wire is not connected to the charging station	Check that the boundary wire connector is fitted properly to the charging station. See <i>Connecting the boundary wire on page 18</i> .
	Boundary wire broken.	Find out where the break is. Replace the damaged section of the loop with a new loop wire and splice using an original coupler. See <i>Finding breaks in the loop wire on page 43</i> .
	The boundary wire is laid in the wrong direction around an island.	Check that the boundary wire has been laid according to the instructions in <i>Boundaries within the working area on page 15</i> .
	The connection between the robotic lawnmower and the charging station has been broken.	Place the robotic lawnmower in the charging station and generate a new loop signal via <i>Security -> New loop signal</i> .
	Disturbances from metal objects (fences, reinforcement steel) or buried cables close by.	Try moving the boundary wire.
<i>Trapped</i>	The robotic lawnmower has got caught in something.	Free the robotic lawnmower and rectify the reason for it becoming trapped.
	The robotic lawnmower is stuck behind a number of obstacles.	Check if there are any obstacles which make it hard for the robotic lawnmower to move on from this place.
<i>Outside working area</i>	The boundary wire connections to the charging station are crossed.	Check that the boundary wire is connected correctly.
	The boundary wire is too close to the edge of the working area.	Check that the boundary wire has been laid according to the instructions in <i>Boundary wire on page 13</i> .
	The working area slopes too much.	
	The boundary wire is laid in the wrong direction around an island.	
	Disturbances from metal objects (fences, reinforcement steel) or buried cables close by.	Try moving the boundary wire.
	The robotic lawnmower finds it hard to distinguish the signal from another robotic lawnmower installation close by.	Place the robotic lawnmower in the charging station and generate a new loop signal via <i>Security -> New loop signal</i> .

Message	Cause	Action
<i>Low battery / Empty battery</i>	The robotic lawnmower cannot find the charging station.	Check that the charging station and the guide wire are installed in accordance with the instructions in <i>Installation of the guide wire on page 18</i> .
	The guide wire is broken or not connected.	Check that the indicator lamp in the charging station flashes yellow. See the solution in, <i>Indicator lamp in the charging station on page 40</i> .
	The battery is spent.	Replace the battery. See <i>Replacing the battery on page 36</i> .
	The charging station's antenna is defective.	Check if the indicator lamp in the charging station flashes red. See <i>Indicator lamp in the charging station on page 40</i> .
<i>Wrong PIN</i>	Wrong PIN code has been entered. Five attempts are permitted, and the keypad is then blocked for five minutes.	Enter the correct PIN code. Contact your local McCULLOCH representative if you forget the PIN code.
<i>Wheel motor overloaded, right</i> <i>Wheel motor overloaded, left</i>	The robotic lawnmower has got caught in something.	Free the robotic lawnmower and rectify the reason for the lack of drive. If it is due to wet grass, wait until the lawn has dried before using the robotic lawnmower.
<i>No drive</i>	The robotic lawnmower has got caught in something.	Free the robotic lawnmower and rectify the reason for the lack of drive. If it is due to wet grass, wait until the lawn has dried before using the robotic lawnmower.
	The working area includes a steep slope.	Maximum guaranteed slope is 25%. Steeper slopes should be isolated. See <i>Slopes on page 16</i> .
	The guide wire is not laid at an angle on a slope.	If the guide wire is laid on a slope, it must be laid at an angle across the slope. See <i>Installation of the guide wire on page 18</i>
<i>Charging station blocked</i>	The contact between the charging strips and contact strips may be poor and the robotic lawnmower has made a number of attempts to charge.	Put the robotic lawnmower in the charging station and check that the charging strips and contact strips make good contact.
	An object is obstructing the robotic lawnmower.	Remove the object.
	The charging station is tilted or bent.	Confirm that the charging station is placed on a fully flat and horizontal ground. The charging station must not be tilted or bent.
<i>Stuck in charging station</i>	There is an object in the way of the robotic lawnmower preventing it from leaving the charging station.	Remove the object.
<i>Upside down</i>	The robotic lawnmower is leaning too much or has turned over.	Turn the robotic lawnmower the right way up.
<i>Needs manual charging</i>	The robotic lawnmower is set in the <i>MAN</i> operating mode.	Place the robotic lawnmower in the charging station. This behaviour is normal and no action is required.

Message	Cause	Action
<i>Next start hh:mm</i>	The timer setting prevents the robotic lawnmower from operating.	Change the timer settings. See <i>Timer on page 23</i> .
	The rest period is in progress. The robotic lawnmower has an inbuilt standby period according to the Standby time table.	This behaviour is normal and no action is required. See <i>Standby on page 33</i> .
<i>The day's mowing is complete</i>	The rest period is in progress. The robotic lawnmower has an inbuilt standby period according to the Standby time table.	This behaviour is normal and no action is required. See <i>Standby on page 33</i> .
<i>Lifted</i>	The lift sensor has been activated as the mower has become trapped.	Free the mower.
<i>Collision sensor problem, front/rear</i>	Mower body can not move freely around its chassis.	Check that the mower body can move freely around its chassis.
<i>Wheel drive problem, right/left</i>	Grass or other object is wrapped around the drive wheel.	Clean the wheels and around the wheels.
<i>Alarm! Mower switched off</i>	The alarm was activated because the mower was switched OFF.	Adjust the mower security level in the Security menu.
<i>Alarm! Mower stopped</i>	The alarm was activated because the mower was stopped.	
<i>Alarm! Mower lifted</i>	The alarm was activated because the mower was lifted.	
<i>Alarm! Mower tilted</i>	The alarm was activated because the mower was tilted.	
<i>Temporary battery problem</i>	Temporary battery or software related issue in the mower.	Restart the mower. Disconnect and reconnect the battery.
<i>Charging current too high</i>	Wrong or faulty power supply unit.	The message may require action by authorized service technician.

Indicator lamp in the charging station

For a fully functional installation, the indicator lamp in the charging station must emit a solid green light. If something else appears, follow the troubleshooting guide below.

If you still need help with troubleshooting, please contact your local McCULLOCH representative.

Light	Cause	Action
<i>Solid green light</i>	Everything in order	No action required
<i>Green flashing light</i>	The signals are good and <i>ECO mode</i> is activated.	No action required. For more information on <i>ECO mode</i> , see <i>Settings on page 27</i> .

Light	Cause	Action
<i>Blue flashing light</i>	The boundary loop is not connected to the charging station	Check that the boundary wire connector is fitted properly to the charging station. See <i>Connecting the boundary wire on page 18</i> .
	Break in the boundary loop	Find out where the break is. Replace the damaged section of the boundary wire with a new loop wire and splice using an original coupler. See <i>Finding breaks in the loop wire on page 43</i> .
<i>Yellow flashing light</i>	The guide wire is not connected to the charging station	Check that the guide wire connector is properly connected to the charging station. See <i>Laying and connecting the guide wire on page 19</i>
	Break in the guide wire	Find out where the break is. Replace the damaged section of the guide wire with a new loop wire and splice using an original coupler.
<i>Red flashing light</i>	Interruption in the charging station's antenna	Contact your local McCULLOCH representative.
<i>Solid blue light</i>	Weak signal as the boundary wire is too long. Max length is 400 m / 1300 ft.	No steps have to be taken if the robotic lawnmower operates as expected.
		Shorten the boundary wire by reducing the working area or replacing islands with barriers the robotic lawnmower can collide with.
<i>Solid red light</i>	Fault in the circuit board or incorrect power supply in the charging station. The fault should be rectified by an authorized service technician	Contact your local McCULLOCH representative.

Symptoms

If your robotic lawnmower does not work as expected, follow the troubleshooting guide below.

There is a FAQ (Frequently Asked Questions) on www.mcculloch.com which provides more detailed answers to a number of standard questions. Contact your local McCULLOCH representative if you still cannot find the reason for the fault.

Symptoms	Cause	Action
The robotic lawnmower has difficulty docking.	The boundary wire is not laid in a long straight line that is far enough out from the charging station.	Check that the charging station has been installed according to the instructions in <i>Laying the boundary wire on page 17</i>
	The guide wire is not inserted in the slot at the bottom of the charging station.	It is absolutely critical for operation that the guide wire is perfectly straight and is in the correct position under the charging station. Therefore make sure that the guide wire is always in its slot in the charging station. See <i>Laying and connecting the guide wire on page 19</i> .
	The charging station is on a slope.	Place the charging station on a surface that is entirely level. See <i>Charging station on page 10</i> .

Symptoms	Cause	Action
Uneven mowing results.	The robotic lawnmower works too few hours per day.	Increase the mowing time. See <i>Timer on page 23</i> .
	The <i>Proportion</i> setting is incorrect in relation to the layout of the working area.	Check that the correct <i>Proportion</i> value is selected.
	The shape of the working area requires the use of both <i>Remote start 1</i> and <i>Remote start 2</i> for the robotic lawnmower to find its way to all remote areas.	Also use <i>Remote start 2</i> to steer the robotic lawnmower to a remote area. See <i>Installation - ROB R1000 on page 25</i> . Applies to McCULLOCH ROB R1000 only.
	Working area too large.	Try limiting the working area or extending the working time. See <i>Timer on page 23</i> .
	Dull blades.	Replace all the blades and screws so that the rotating parts are balanced. See <i>Replacing the blades on page 36</i> .
	Long grass in relation to the set cutting height.	Increase the cutting height and then successively lower.
	Accumulation of grass by the blade disc or around the motor shaft.	Check that the blade disc rotates freely and easily. If not, screw off the blade disc and remove grass and foreign objects. See <i>Cleaning on page 35</i> .
The robotic lawnmower runs at the wrong time	The robotic lawnmower clock needs to be set.	Set the clock. See <i>Time & Date on page 27</i> .
	The start and stop times for mowing are incorrect.	Reset the start time and stop time settings for mowing. See <i>Time & Date on page 27</i> .
The robotic lawnmower vibrates.	Damaged blades lead to imbalance in the cutting system.	Inspect the blades and screws and replace them if necessary. See <i>Replacing the blades on page 36</i> .
	Many blades in the same position lead to imbalance in the cutting system.	Check that only one blade is fitted at each screw.
The robotic lawnmower runs, but the blade disc does not rotate.	The robotic lawnmower searches for the charging station.	No action The blade disc does not rotate when the robotic lawnmower is searching for the charging station.
The robotic lawnmower mows for shorter periods than usual between charges.	Grass or other foreign object blocks the blade disc.	Remove and clean the blade disc. See <i>Cleaning on page 35</i> .
Both the mowing and charging times are shorter than usual.	The battery is spent.	Replace the battery. See <i>Replacing the battery on page 36</i> .
The robotic lawnmower is parked for hours in the charging station.	The robotic lawnmower has an inbuilt standby period according to the Standby time table. See <i>Standby on page 33</i> .	No action.
	The hatch has been closed without the START button first being pressed.	Open the hatch, press the START button and then close the hatch.

Finding breaks in the loop wire

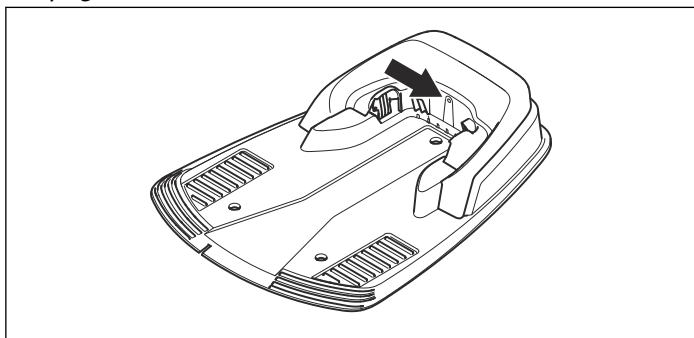
Breaks in the loop wire are usually the result of unconscious physical damage to the wire such as when gardening with a shovel. In countries with ground frost, even sharp stones that move in the ground can damage the wire. Breaks can also be due to the high tension in the wire during installation.

Mowing the grass too low right after the installation can damage wire insulation. Certain damage to the insulation may not cause disruptions until several weeks or months later. To avoid this, always select the maximum cutting height the first weeks after installation and then lower the height one step at a time every second week until the desired cutting height has been reached.

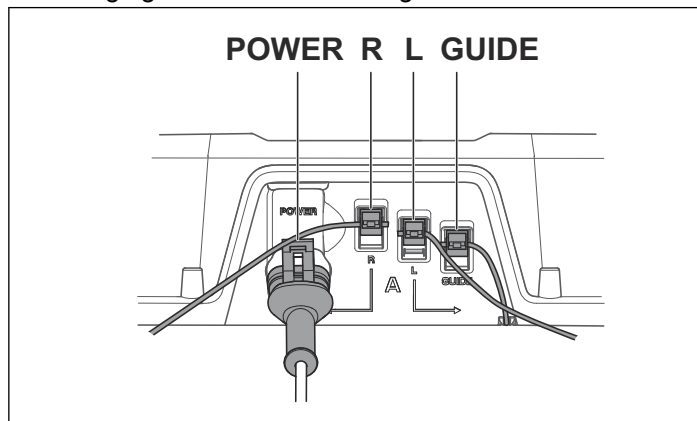
A defective splicing of the loop wire can also lead to disruptions first several weeks after the splice was done. A faulty splice can, for example, be the result of the original coupler not being pressed together hard enough with a pair of pliers, or a coupler of lower quality than original coupler has been used. Please first check all known splices before further troubleshooting is done.

A break can be located by gradually halving the distance of the loop wire where the break may have occurred until there is only a very short section of the wire left.

1. Make sure the indicator lamp in the charging station flashes blue, which indicates a break in the boundary loop. See *Indicator lamp in the charging station on page 40*

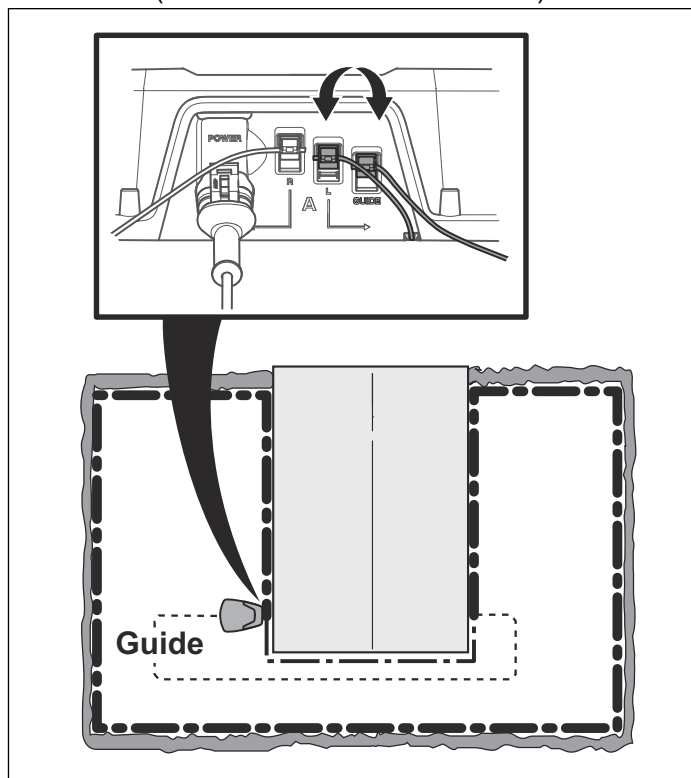


2. Check that the boundary wire connections to the charging station are properly connected and not damaged. Check that the indicator lamp in the charging station is still flashing blue.

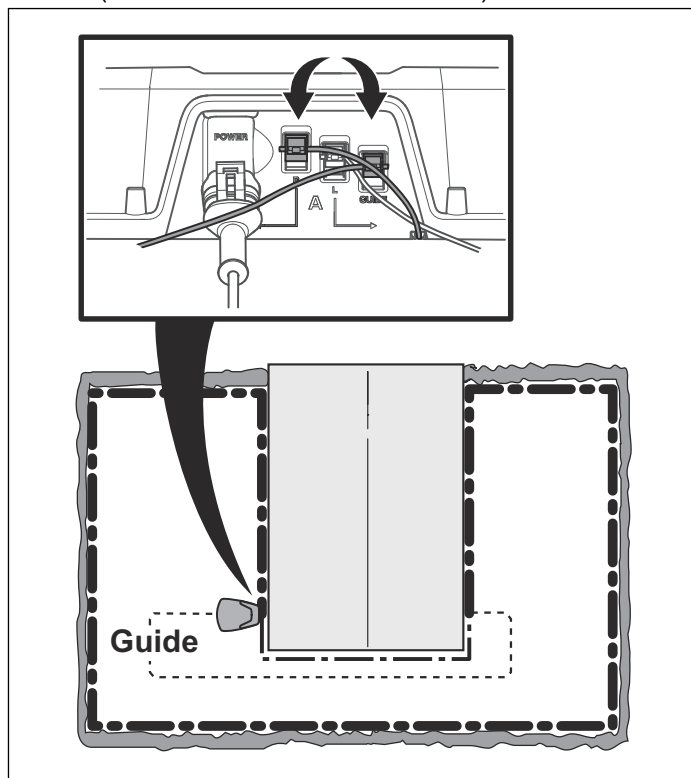


3. Connect the charging station to the power supply. Switch the connections between the guide wire and the boundary wire in the charging station.
 - a) Switch connection L and Guide. If the indicator lamp flashes yellow, then the break is somewhere

on the boundary wire between L and the point where the guide wire is connected to the boundary wire (thick black line in the illustration).

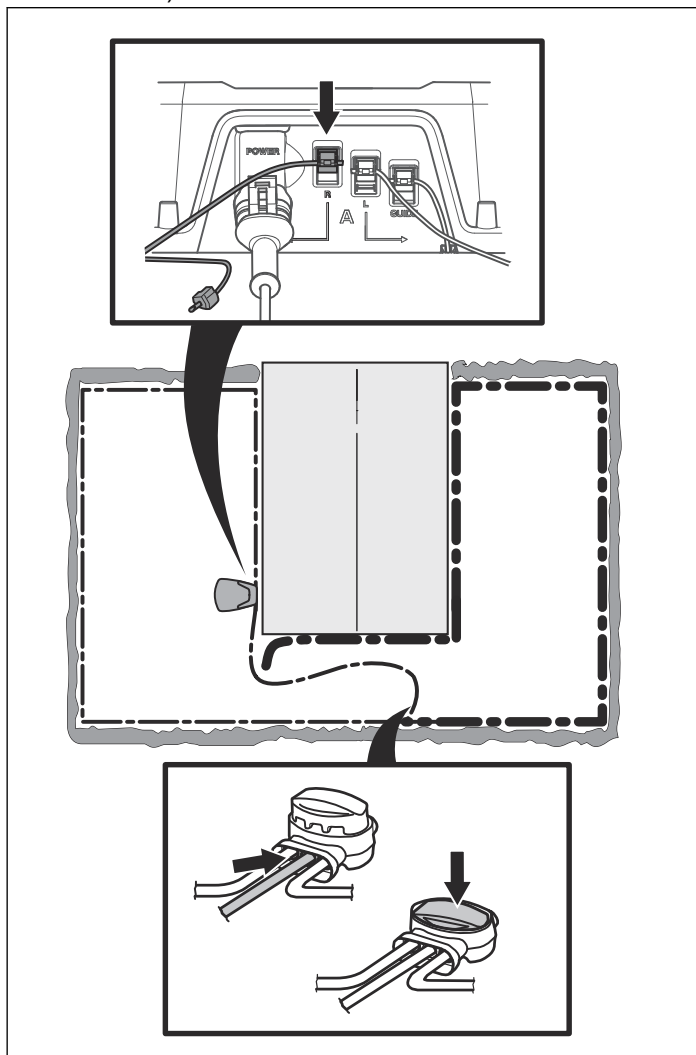


- b) Put L and Guide back in their original positions. Then switch R and Guide. If the indicator lamp flashes yellow, then the break is somewhere on the boundary wire between R and the point where the guide wire is connected to the boundary wire (thick black line in the illustration).



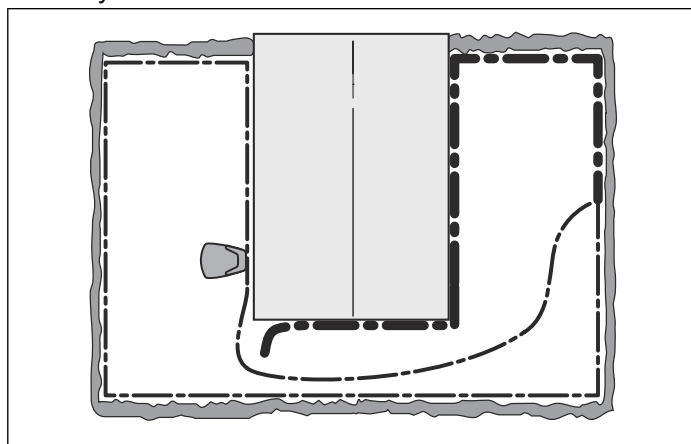
4. If the indicator lamp flashed yellow in test 3a) above.
 - a) Reset all connections to their original positions. Then disconnect R. Connect a new loop wire to R. Connect the other end of this new loop wire somewhere at the centre of the installation. If the

indicator lamp is green or flashing yellow, then the break is somewhere in the wire between the disconnected end to the point where the new wire is connected (thick black line in the illustration below).



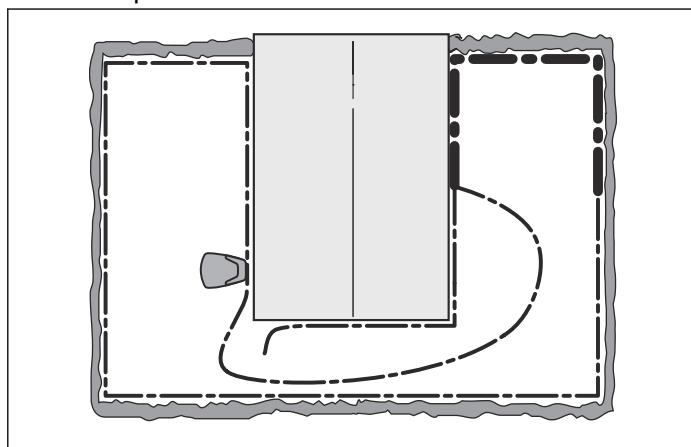
In that case, move the connection for the new wire closer to the disconnected end (roughly at the

middle of the suspected wire section) and check again if the indicator lamp is green or flashes yellow.



Continue until only a very short section of the wire remains which is the difference between a flashing blue light and a solid green light.

- b) If the indicator lamp flashed yellow in test 3b) above, a similar test is carried out but with the new loop wire connected to L instead.



Transportation, storage and disposal

Transportation

Secure the machine during transport. It is important that the robotic lawnmower does not move when it is being transported, for instance, between lawns.

The contained lithium-ion-batteries are subject to the Dangerous Goods Legislation requirements.

For commercial transports e.g. by third parties, forwarding agents, special requirement on packaging and labeling must be observed.

For preparation of the item being shipped, consulting an expert for hazardous material is required. Please also observe possibly more detailed national regulations.

Tape or mask off open contacts and pack up the battery in such a manner that it cannot move around in the packaging.

Winter storage

The robotic lawnmower

The robotic lawnmower must be cleaned carefully before putting it away for the winter. See *Cleaning* on page 35

To guarantee battery functionality and service life, it is very important to fully charge the robotic lawnmower before storing it away for the winter. Place the robotic lawnmower in the charging station with the hatch open until the battery icon in the display shows that the battery is fully charged. Then set the main switch to 0.

Check the condition of wear items such as blades and bearings in the rear wheel. Rectify if necessary to make sure the robotic lawnmower is in good condition prior to next season.

Store the robotic lawnmower standing on all wheels in a dry, frost-free environment, preferably in the mower's original packaging.

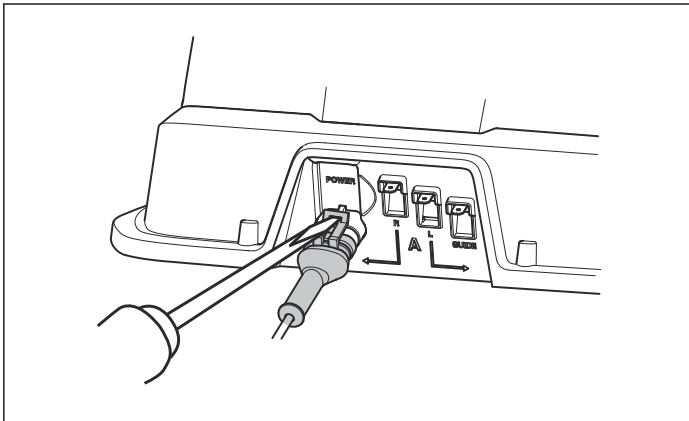


CAUTION The battery must be charged fully before winter storage. If the battery is not fully charged it can be damaged and in certain cases be rendered useless.

The charging station

Store the charging station and power supply indoors. The boundary wire and the guide wire can be left in the ground.

1. Disconnect the charging station power supply carefully.
2. Release the connector lock using a suitable screwdriver, before pulling the connector out.



3. Disconnect the boundary and guide wire contacts from the charging station.

The ends of the wires should be protected from damp by putting them in a container with grease for instance.

Furthermore a special protector box is available from McCULLOCH, which can be bought in most stores that offer McCULLOCH robotic lawnmowers.

After winter storage

Check if cleaning is needed, particularly the charging strips on both the robotic lawnmower and the charging station. If the charging strips appear to be burnt or coated, clean them using a fine grade emery cloth. Check also that the robotic lawnmower's time and date are correct.

Environmental information



The symbol on the McCULLOCH robotic lawnmower or its packaging indicates that this product cannot be treated as domestic waste. It should instead be left at a suitable recycling centre to recycle its electronic components and batteries. The battery must be removed from the product before it is scrapped. For disassembly of the battery, See *Replacing the battery* on page 36.

By ensuring that this product is taken care of correctly, you can help to counteract the potential negative impact on the environment and people that can otherwise result through the incorrect waste management of this product.

For more detailed information about recycling this product, contact your municipality, your domestic waste service or the shop from where you purchased the product.

Technical data

Technical data

Data	ROB R600	ROB R1000
Dimensions		
Length	60 cm / 24"	60 cm / 24"
Width	44 cm / 17"	44 cm / 17"
Height	26 cm / 10"	26 cm / 10"
Weight	7 kg / 15.4 lbs	7 kg / 15.4 lbs
Electrical system		
Battery, Lithium-Ion	18 V/2.1 Ah Art.No 586 57 62-01, 586 57 62-02	
Power supply	100-240 V/28 V DC	
Low voltage cable length	10 m / 30 ft	10 m / 30 ft
Mean energy consumption at maximum use	5 kWh/month in a 600 m ² / 6500 sq. ft working area	7 kWh/month in a 1000 m ² / 10 800 sq. ft working area
Charge current	1.3A DC	1.3A DC
Average mowing time	65 min	65 min

Data	ROB R600	ROB R1000
Average charging time	50 min	50 min
Operating Frequency Band	300-21400 Hz	300-21400 Hz
Maximum Radio-frequency power ¹	<25 mW @60m / <25 mW @200 ft	<25 mW @60m / <25 mW @200 ft
Noise emissions measured in the environment as sound power ²		
Measured sound power noise level ³	57 dB (A)	57 dB (A)
Guaranteed sound power noise level	59 dB (A)	59 dB (A)
Sound pressure noise level at the operator's ear ⁴	48 dB (A)	48 dB (A)
Mowing		
Cutting system	Three pivoted cutting blades	
Blade motor speed	2900 rpm	2900 rpm
Power consumption during cutting	20 W +/- 20 %	20 W +/- 20 %
Cutting height	2-5 cm / 0.8-2"	2-5 cm / 0.8-2"
Cutting width	17 cm / 6.7"	17 cm / 6.7"
Narrowest possible passage	120 cm / 4 ft	120 cm / 4 ft
Maximum angle for cutting area	25 %	25 %
Maximum angle for boundary wire	15 %	15 %
Maximum length boundary wire	400 m / 1300 ft	400 m / 1300 ft
Maximum length guide loop	100 m / 350 ft	100 m / 350 ft
Working capacity	600 m ² / 6500 sq. ft +/- 20%	1000 m ² / 10 800 sq. ft +/- 20 %
IP-classification		
Robotic lawnmower	IPX4	IPX4
Charging station	IPX1	IPX1
Transformer	IPX4	IPX4

Full compatibility cannot be guaranteed between the robotic lawnmower and other types of wireless systems

such as remote controls, radio transmitters, hearing loops, buried electric animal fencing or similar.

¹ Maximum output power to antennas in the frequency band in which the radio equipment operates.

² Noise emissions in the environment measured as sound power (L_{WA}) in conformity with EC directive 2000/14/EC. The guaranteed sound power level includes variation in production as well as variation from the test code with 1-3 dB(A).

³ Noise emissions uncertainties K_{WA} , 2 dB (A)

⁴ Sound pressure noise uncertainties K_{pA} , 2-4 dB (A)

Warranty

Guarantee terms

McCULLOCH guarantees this product's functionality for a period of two years (from date of purchase). The guarantee covers serious faults relating to materials or manufacturing faults. Within the guarantee period, we will replace the product or repair it at no charge if the following terms are met:

- The robotic lawnmower and the charging station may only be used in compliance with the instructions in this Operator's Manual. This manufacturer's guarantee does not have an effect on the user's existing warranty claims against the dealer/seller.
- Users or non-authorized third parties must not attempt to repair the product.

Examples of faults which are not included in the guarantee:

- Damage caused by water seepage from underneath the robotic lawnmower. This damage is normally caused by cleaning or irrigation systems or holes/hollows in the working area when pools of water are formed when it rains.
- Damage caused by lightning.
- Damage caused by improper battery storage or battery handling.
- Damage caused by using a battery that is not a McCULLOCH original battery.
- Damage caused by not using McCULLOCH original spare parts and accessories, such as blades and installation material.
- Damage to the loop wire.
- Damage caused by non-authorized changing or tampering with the product or its power supply.

The blades are seen as disposable and are not covered by the guarantee.

If an error occurs with your McCULLOCH robotic lawnmower, please contact your local McCULLOCH representative for further instructions. Please have the receipt and the robotic lawnmower's serial number at hand when contacting your local McCULLOCH representative.

ORIGINAL INSTRUCTIONS



Copyright © 2017 Husqvarna AB. All rights reserved. McCulloch and other product and feature marks are trademarks of the Husqvarna Group.