

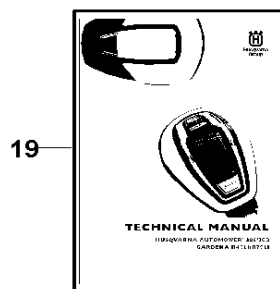
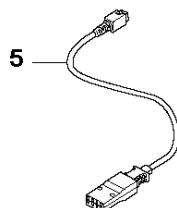
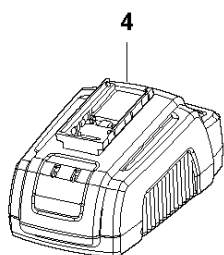
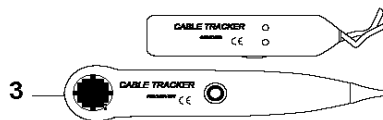
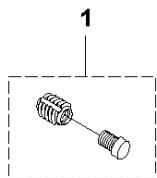


# SPARE PARTS LIST

ROBOTIC LAWN MOWERS

ROB R600/ROB R1000, 2017-01

**G McCULLOCH ROB R600/ROB R1000  
ACCESSORIES**

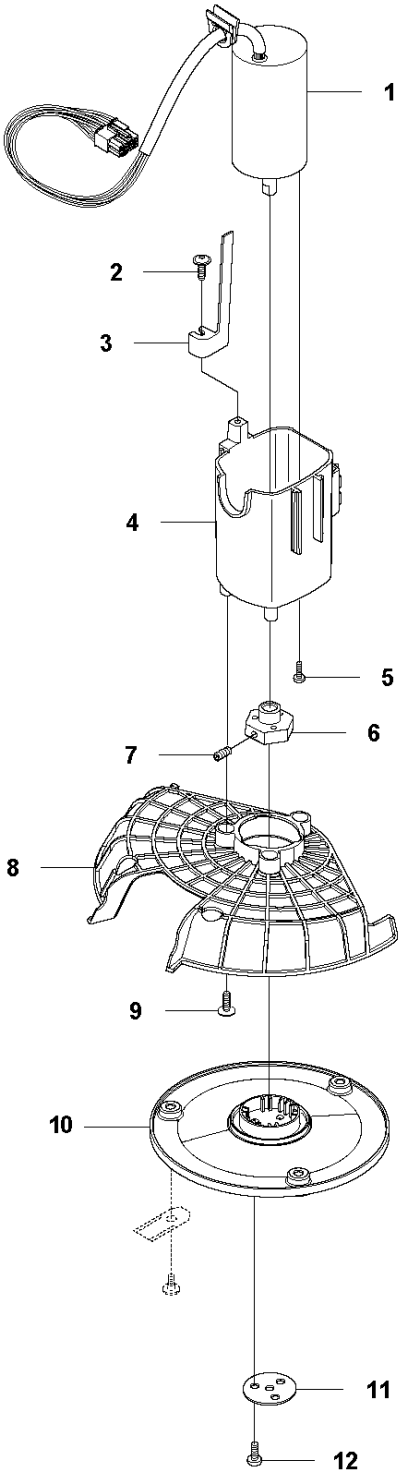


## ACCESSORIES

ROB R600/ROB R1000, 2017-01

Ref	Part No	Description	Remark	QTY KIT
1	581 16 57-01	THREAD INSERT	Metal Insert Repair KIT (4 pcs)	1
2	580 68 95-02	LABEL	Warranty Seal 1pcs	1
3	577 60 68-01	TEST EQUIPMENT	Loop Wire Interruption Detector	1
4	588 40 84-01	CHARGER	Quick Charger with Battery Test	1
5	588 20 26-01	CABLE ASSY	Cable Quick Charger	1
19	115 44 50-01	WORKSHOP MANUAL	TECHNICAL MANUAL, Swedish	1
19	115 44 50-06	WORKSHOP MANUAL	TECHNICAL MANUAL, Danish	1
19	115 44 50-11	WORKSHOP MANUAL	TECHNICAL MANUAL, Finnish	1
19	115 44 50-21	WORKSHOP MANUAL	TECHNICAL MANUAL, Norwegian	1
19	115 44 50-26	WORKSHOP MANUAL	TECHNICAL MANUAL, English	1
19	115 44 50-31	WORKSHOP MANUAL	TECHNICAL MANUAL, French	1
19	115 44 50-36	WORKSHOP MANUAL	TECHNICAL MANUAL, Dutch	1
19	115 44 50-41	WORKSHOP MANUAL	TECHNICAL MANUAL, Italian	1
19	115 44 50-46	WORKSHOP MANUAL	TECHNICAL MANUAL, Spanish	1
19	115 44 50-51	WORKSHOP MANUAL	TECHNICAL MANUAL, German	1
19	115 44 50-56	WORKSHOP MANUAL	TECHNICAL MANUAL, Russian	1
19	115 44 50-58	WORKSHOP MANUAL	TECHNICAL MANUAL, Hungarian	1
19	115 44 50-61	WORKSHOP MANUAL	TECHNICAL MANUAL, Polish	1
19	115 44 50-62	WORKSHOP MANUAL	TECHNICAL MANUAL, Romanian	1
19	115 44 50-63	WORKSHOP MANUAL	TECHNICAL MANUAL, Estonian	1
19	115 44 50-64	WORKSHOP MANUAL	TECHNICAL MANUAL, Latvian	1
19	115 44 50-65	WORKSHOP MANUAL	TECHNICAL MANUAL, Lithuanian	1
19	115 44 50-71	WORKSHOP MANUAL	TECHNICAL MANUAL, Greek	1
19	115 44 50-76	WORKSHOP MANUAL	TECHNICAL MANUAL, Turkish	1
19	115 44 50-81	WORKSHOP MANUAL	TECHNICAL MANUAL, Croatian	1
19	115 44 50-90	WORKSHOP MANUAL	TECHNICAL MANUAL, Czech	1

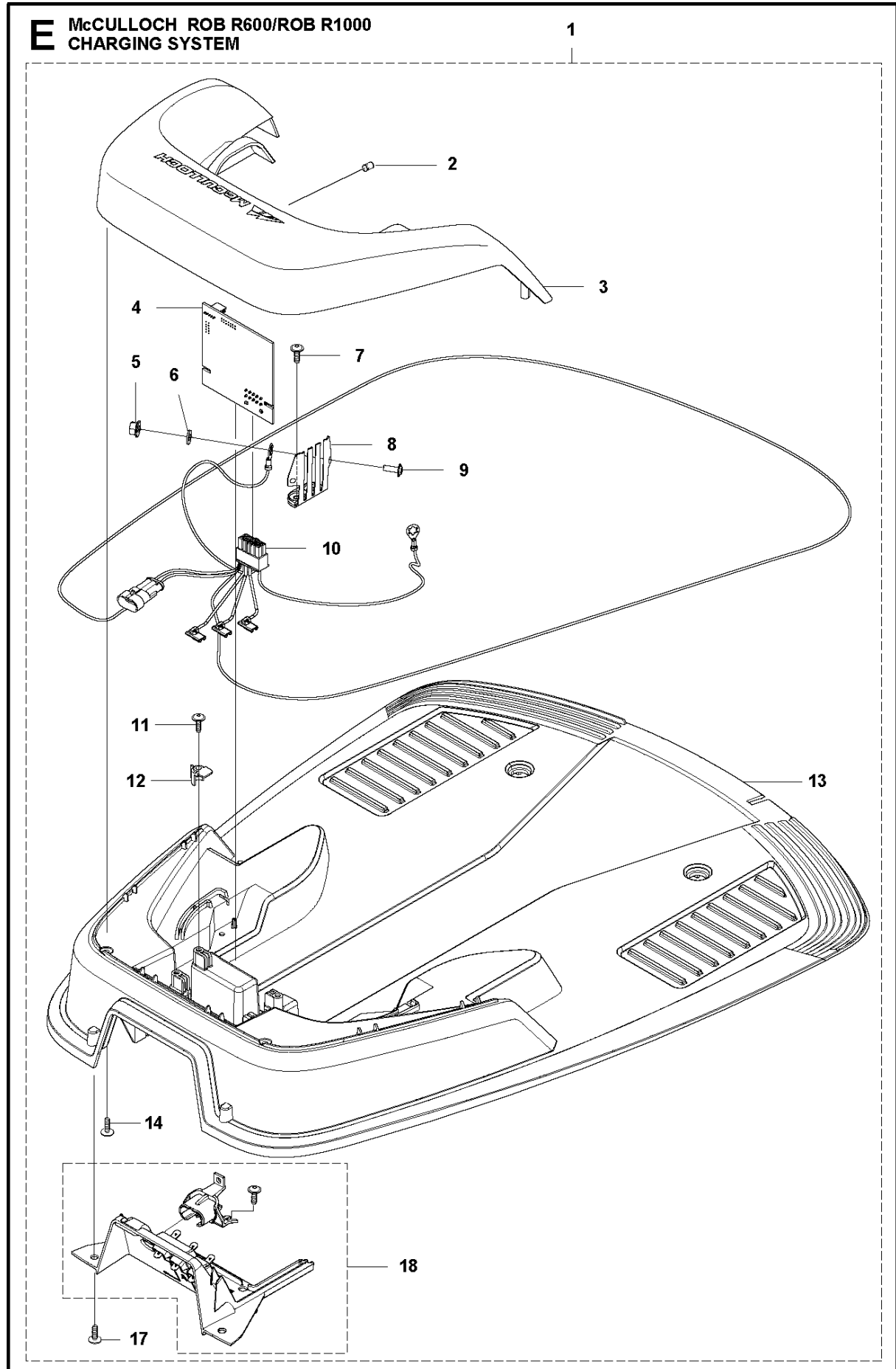
**D** McCULLOCH ROB R600/ROB R1000  
BLADE MOTOR & CUTTING EQUIPMENT



## BLADE MOTOR &amp; CUTTING EQUIPMENT

ROB R600/ROB R1000, 2017-01

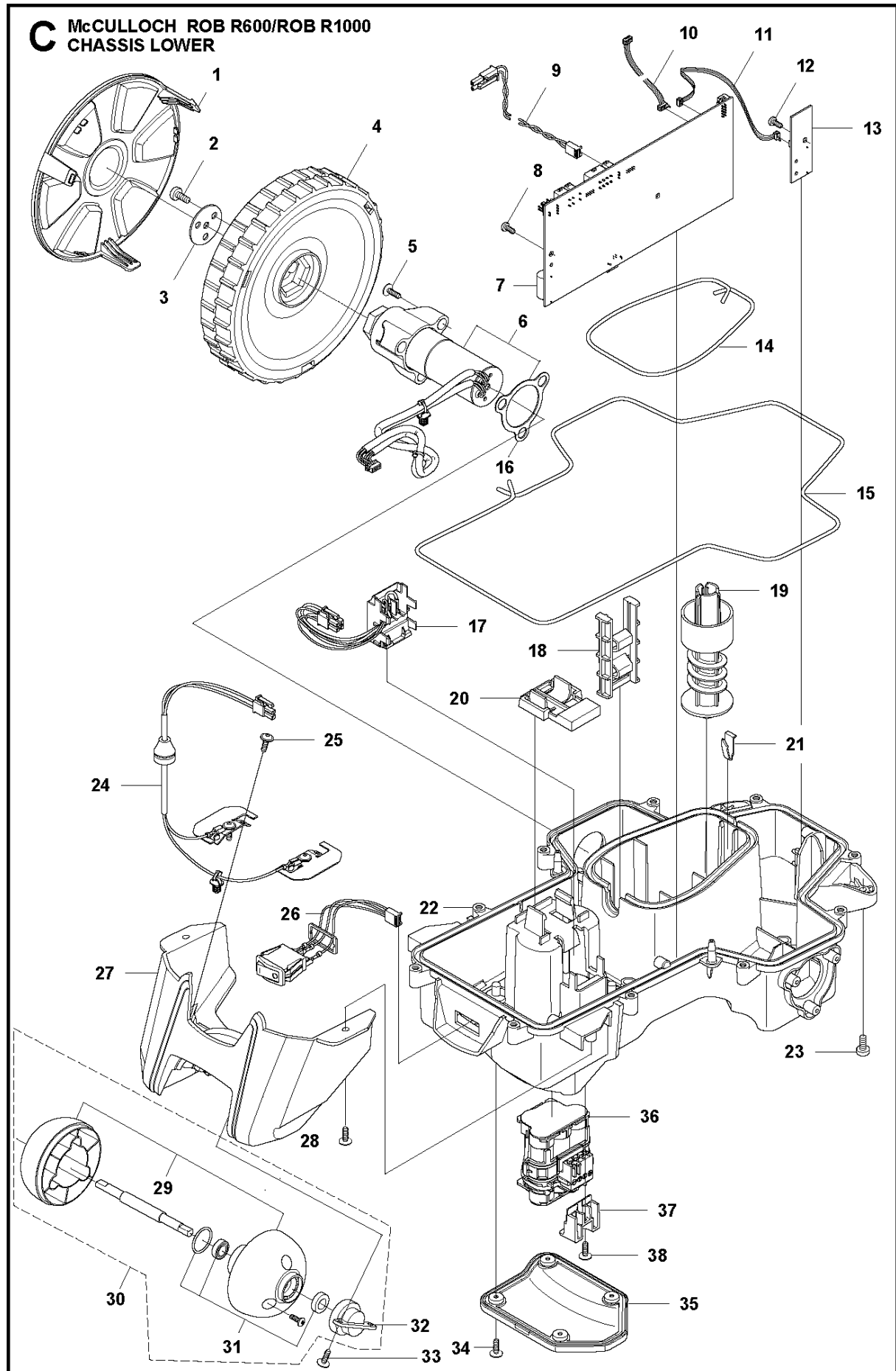
Ref	Part No	Description	Remark	QTY KIT
1	584 98 93-02	MOTOR	Cutting Motor	1
2	575 54 33-10	SCREW	Screw, Grey (10 mm)	1
3	574 50 35-01	HEIGHT INDICATOR	Height Indicator	1
4	581 02 03-01	MOTOR HOUSING	Motor Housing	1
5	576 21 38-01	SCREW ITPANM	Screw M4x12	3
6	574 37 35-01	HUB	Hub, Cutting Motor	1
7	576 21 35-01	SCREW IHSETM	Stop Screw	1
8	579 75 83-01	GUARD	Guard, Cutting Disc	1
9	575 54 33-14	SCREW	Screw, Grey (14 mm)	3
10	574 48 71-01	CUTTING DISC	Cutting Disc	1
11	577 09 32-01	WASHER	Washer	1
12	576 21 38-01	SCREW ITPANM	Screw	3



## CHARGING STATION

ROB R600/ROB R1000, 2017-01

Ref	Part No	Description	Remark	QTY KIT
1	577 97 23-16	CHARGING STATION	Charging Station, McCulloch	1
2	535 12 87-02	DIODE LENS	Diode Lens	1
3	501 92 60-01	COVER	Charging Station Cover, McCulloch	1
4	582 87 62-01	PRINTED CIRCUIT ASSY	Circuit Board, Charging Station	1
5	588 22 21-01	HEXAGON NUT FLANGE	Nut Flange	2
6	535 08 74-01	WASHER	Washer	2
7	575 54 33-14	SCREW	Screw, Grey (14 mm)	2
8	587 12 51-01	CONTACT	Contacts, Charging Station	2
9	588 22 22-01	SCREW ITPANM	Screw	2
10	582 38 10-01	CABLE ASSY	Loom, Charging Station	1
11	575 54 33-14	SCREW	Screw, Grey (14 mm)	2
12	535 12 79-01	BRACKET	Bracket	2
13	581 55 19-03	CHARGING STATION	Charging Station Base Plate	1
14	575 54 33-14	SCREW	Screw, Grey (14 mm)	4
17	575 54 33-14	SCREW	Screw, Grey (14 mm)	4
18	582 35 64-01	PANEL ASSY	Guide Cover, Charging Station	1



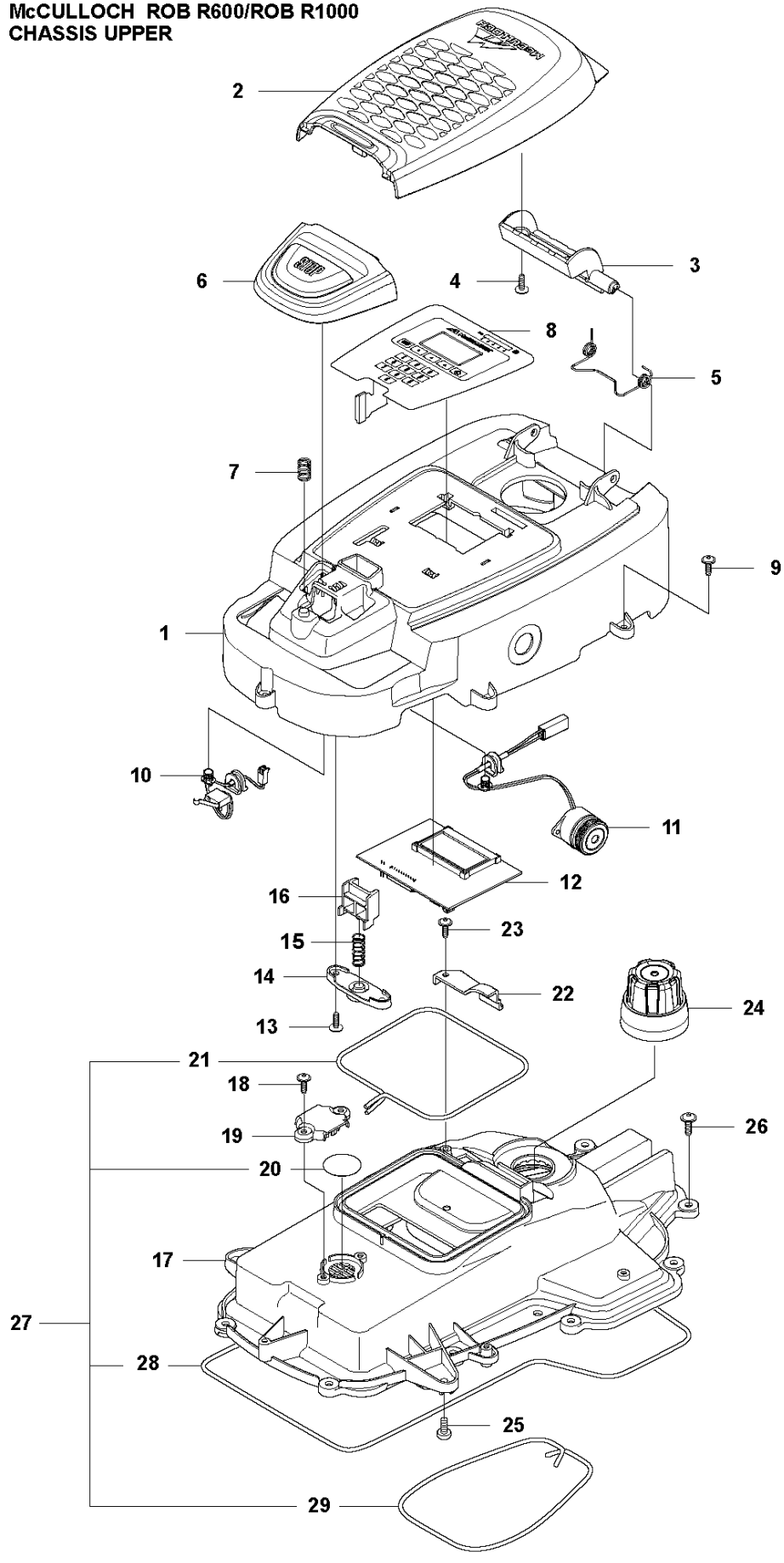


## CHASSIS LOWER

ROB R600/ROB R1000, 2017-01

Ref	Part No	Description	Remark	QTY KIT
1	577 70 79-02	HUB CAP	Hub Cap, Drive Wheel	2
2	576 21 39-02	SCREW ITXPANM	Screw	6
3	577 09 32-01	WASHER	Washer, Drive Wheel	2
4	574 46 51-04	WHEEL	Wheel, Drive Wheel	2
5	575 54 33-14	SCREW	Screw, Grey (14 mm)	6
6	577 83 99-04	WHEEL MOTOR ASSY	Wheel Motor KIT incl. Sealing	2
7	588 62 88-03	PRINTED CIRCUIT ASSY	Main Circuit Board (MCB)	1
8	535 13 03-10	SCREW ITXPANT	Screw (10 mm)	2
9	576 22 02-01	LOOM	Loom, Buzzer Extension	1
10	588 83 27-01	WIRING ASSY	Loom, Display	1
11	588 90 12-01	WIRING ASSY	Loom, Loop and Lift Sensor	1
12	535 13 03-10	SCREW ITXPANT	Screw (10 mm)	1
13	588 57 21-01	PRINTED CIRCUIT ASSY	PCB Sensor Board	1
14	574 87 47-04	SEALING STRIP	Sealing Strip (1 pcs, diam. 4 mm)	1
15	574 87 47-03	SEALING STRIP	Sealing Strip, Chassis (1 pcs, diam. 4 mm)	1
16	574 37 37-01	GASKET	Sealing/Gasket, Motor Flange	2
17	574 47 98-01	LOOM	Loom, Li-Ion Battery	1
18	574 50 19-01	GUIDE RAIL	Guide Rail, Motor Bowl	2
19	574 48 46-01	SCREW	Height Adjustment Screw	1
20	575 40 82-01	LOCK	Lock, Battery Plug	1
21	577 10 32-01	LOCKING SPRING	Locking Spring	1
22	577 84 62-03	CHASSIS	Chassis Lower KIT, incl. Sealing	1
23	576 21 39-01	SCREW ITXPANM	Screw	2
24	588 95 09-02	CABLE ASSY	Loom, Charge Plate	1
25	575 54 33-14	SCREW	Screw, Grey (14 mm)	2
26	579 70 87-01	CABLE ASSY	Swith ON/OFF With Seal	1
27	574 46 72-02	HOUSING	Housing, Rear Wheel	1
28	575 54 33-14	SCREW	Screw, Grey (14 mm)	3
29	583 85 39-02	REAR WHEEL	Rear Wheel KIT	1
30	578 27 51-03	REAR WHEEL	Rear Wheel KIT Complete	1
31	578 27 52-01	REAR WHEEL	Bearing (X2), Sealing (X2), O-Ring (X1)	1
32	577 71 50-01	BEARING HOUSING	Bearing Housing, Rear Wheel	2
33	575 54 33-14	SCREW	Screw, Grey (14 mm)	4
34	574 45 01-01	SCREW ITXPANT	Screw	4
35	574 46 73-01	COVER	Cover, Battery	1
36	586 57 62-01	BATTERY	Battery, Lithium 18 v	1
37	582 38 61-01	BRACKET	Bracket	1
38	575 54 33-14	SCREW	Screw, Grey (14 mm)	1

**B** McCULLOCH ROB R600/ROB R1000  
CHASSIS UPPER

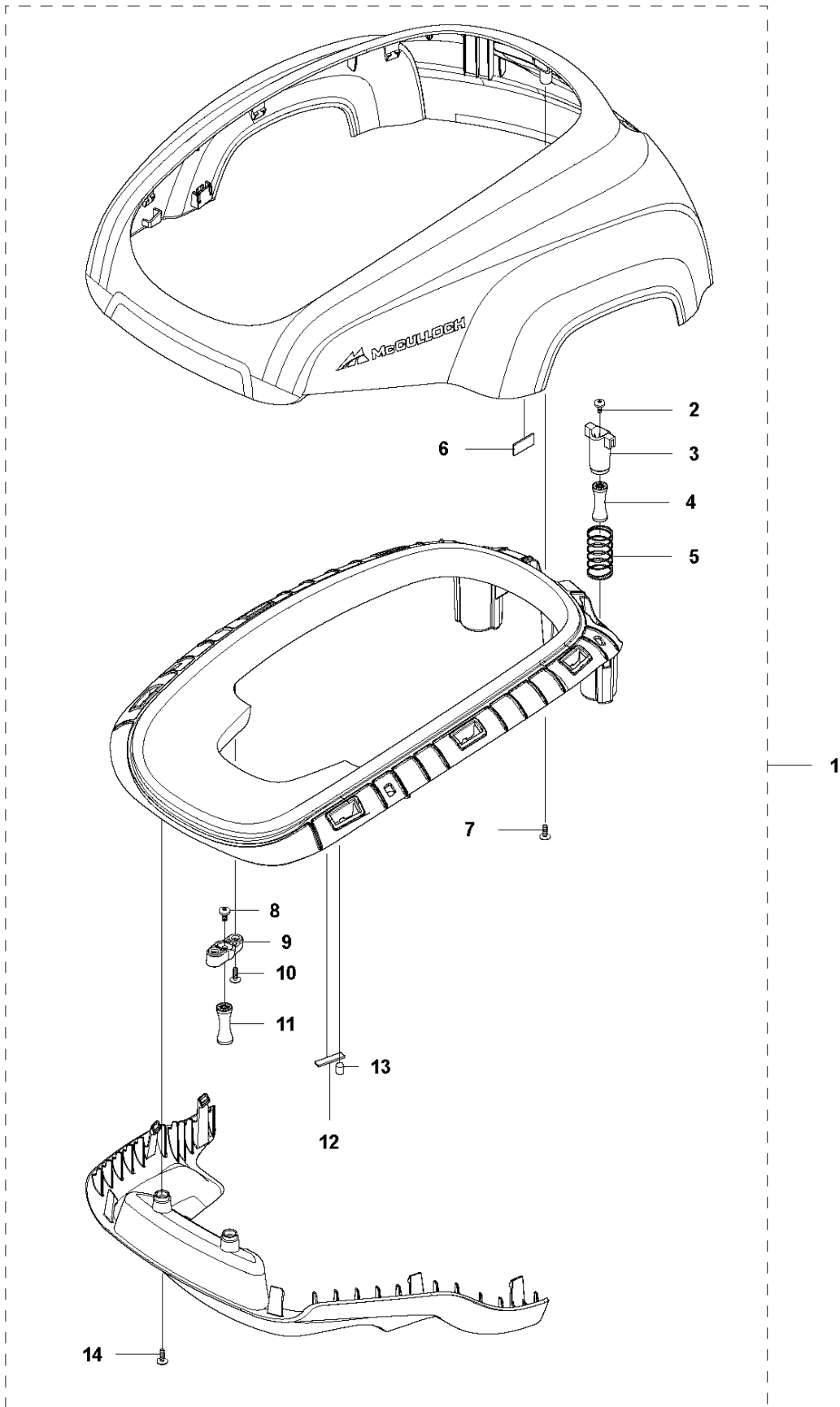


## CHASSIS UPPER

ROB R600/ROB R1000, 2017-01

Ref	Part No	Description	Remark	QTY KIT
1	579 39 19-03	KIT	Display Cover KIT incl. Sealing & Keyboard	1
2	501 92 58-01	HATCH	Cover, Height Adjustment	1
3	577 70 78-01	HINGE	Hinge, Height Adjustment Lid	1
4	575 54 33-14	SCREW	Screw, Grey (14 mm)	2
5	578 44 52-01	SPRING	Spring, Height Adjustment Lid	1
6	501 92 57-01	BUTTON	Stop Button	1
7	574 48 70-01	SPRING	Spring, Stop Button	1
8	582 10 61-01	KEYBOARD	Keyboard	1
9	575 54 33-14	SCREW	Screw, Grey (14 mm)	5
10	574 48 03-01	SWITCH	Micro Switch, Stop Button	1
11	574 47 59-01	BUZZER	Buzzer, Display Cover	1
12	588 44 19-01	PRINTED CIRCUIT ASSY	Display/MMI, Circuit Board	1
13	575 54 33-14	SCREW	Screw, Grey (14 mm)	2
14	575 41 58-01	SPRING HOLDER	Spring Holder, Stop Button	1
15	576 24 22-01	SPRING	Spring Lock, Stop Button	1
16	575 40 90-01	LOCK	Lock, Stop Button	1
17	579 39 20-02	KIT	Chassis Upper KIT incl. Sealing & Air Filter	1
18	575 54 33-14	SCREW	Screw, Grey (14 mm)	2
19	576 69 70-01	COVER	Cover, Air Filter	1
20	577 75 37-01	KIT	Air Filter KIT (10 pcs)	1
21	574 87 47-04	SEALING STRIP	Sealing Strip (1 pcs, diam. 4 mm)	1
22	576 05 39-01	COVER	Cover, Height Indicator	1
23	575 54 33-14	SCREW	Screw, Grey (14 mm)	1
24	589 77 29-01	KNOB ASSY	Knob, Height Adjustment Assy incl. Knob & Sticker	1
25	576 21 39-01	SCREW ITXPANM	Screw	2
26	574 45 01-01	SCREW ITXPANT	Screw	10
27	588 40 70-01	SEAL KIT	Seal KIT incl. Sealing Strip Chassis (1 pcs), Sealing Strip Short (2 pcs), Air Filter (1 pcs)	1
28	574 87 47-03	SEALING STRIP	Sealing Strip, Chassis (1 pcs, diam. 4 mm)	1
29	574 87 47-04	SEALING STRIP	Sealing Strip (1 pcs, diam. 4 mm)	1

**A** McCULLOCH ROB R600/ROB R1000  
COVER

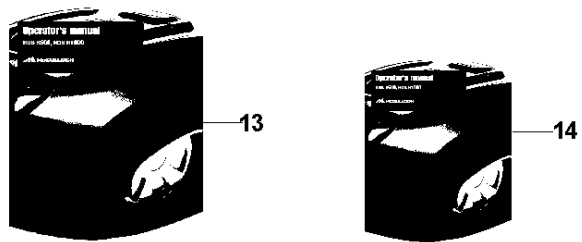
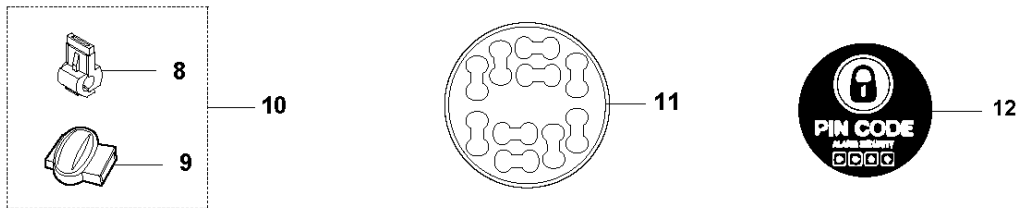
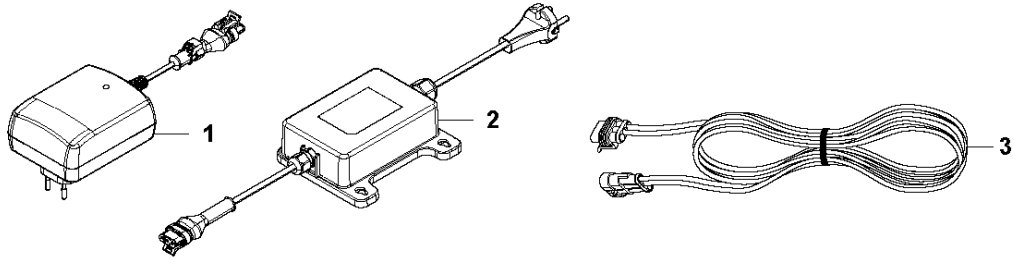


## COVER

ROB R600/ROB R1000, 2017-01

Ref	Part No	Description	Remark	QTY KIT
1	583 79 97-01	BODY ASSY	Body assy.	1
2	576 21 39-01	SCREW ITXPANM	Screw	2
3	574 46 90-02	BRACKET	Bracket, Lift Sensor	2
4	574 46 91-02	DAMPER	Rubber Damper	2
5	574 48 51-02	SPRING	Spring, Lift Sensor	2
6	576 18 32-01	MAGNET	Magnet, Lift Sensor	1
7	575 54 33-14	SCREW	Screw, Grey (14 mm)	3
8	576 21 39-01	SCREW ITXPANM	Screw	2
9	575 41 60-02	SUPPORT CLAMP	Support Clamp	2
10	575 54 33-14	SCREW	Screw, Grey (14 mm)	4
11	574 46 91-02	DAMPER	Rubber Damper	2
12	576 03 01-01	PLATE	Plate, Collision Sensor	1
13	576 18 33-01	MAGNET	Magnet, Collision Sensor	1
14	575 54 33-10	SCREW	Screw, Grey	2

**F** McCULLOCH ROB R600/ROB R1000  
INSTALLATION ACCESSORIES



INSTALLATION ACCESSORIES

ROB R600/ROB R1000, 2017-01

Ref	Part No	Description	Remark	QTY KIT
1	584 86 25-01	TRANSFORMER	Power Supply Unit, EU	1
2	584 86 26-02	POWER UNIT	Power Supply Unit, UK	1
2	584 86 26-03	TRANSFORMER	Power Supply Unit, CH	1
2	584 86 26-04	POWER UNIT	Power Supply Unit, CA	1
2	584 86 26-05	POWER UNIT	Power Supply Unit, AU-NZ	1
3	579 82 51-01	CABLE ASSY	Low Voltage Cable (20 m)	1
3	579 82 51-02	CABLE ASSY	Low Voltage Cable (10 m)	1
3	579 82 51-03	CABLE ASSY	Low Voltage Cable (3 m)	1
4	589 40 26-01	STAPLE	Staples (100 pcs), McCulloch Blister Pack	1
5	575 23 86-02	SCREW KIT	Anchor Screw (3 pcs) incl. Allen Key	1
6	589 40 24-01	WIRE	Loop Wire (150 m), McCulloch Blister Pack	1
6	580 66 20-03	WIRE	Loop Wire (200 m)	1
6	580 66 20-01	WIRE	Loop Wire (250 m)	1
6	580 66 20-04	WIRE	Loop Wire (800 m)	1
7	589 40 20-01	BLADE SET	Blades (9 pcs), McCulloch Blister Pack	1
7	577 86 46-03	BLADE SET	Long Life - Safety Blade,Husqvarna Blister Pack, 9 pcs	1
7	577 60 65-05	BLADE SET	Long Life - Safety Blade, 45 pcs	1
7	577 60 66-04	BLADE SET	Long Life - Safety Blade, 300 pcs	1
8	535 12 90-01	CONNECTOR	Loop Wire Connector (1pcs)	1
9	501 98 02-01	COUPLER	Coupler (1pcs)	1
9	501 98 02-02	COUPLER	Coupler KIT (50pcs)	1
10	589 40 25-01	COUPLER	2 Connectors+6 Couplers,McCulloch Blister Pack	1
11	586 27 79-01	STICKER	Sticker, Cable Markers (10 pcs)	1
12	589 70 84-01	LABEL	Label, Anti-Theft	1
13	115844901	TBD	Operator's Manual, Swedish	1
13	115844906	TBD	Operator's Manual, Danish	1
13	115844911	TBD	Operator's Manual, Finnish	1
13	115844921	TBD	Operator's Manual, Norwegian	1
13	115844926	TBD	Operator's Manual, English	1
13	115844931	TBD	Operator's Manual, French	1
13	115844936	TBD	Operator's Manual, Dutch	1
13	115844941	TBD	Operator's Manual, Italian	1
13	115844946	TBD	Operator's Manual, Spanish	1
13	115844951	TBD	Operator's Manual, German	1
13	115844958	TBD	Operator's Manual, Hungarian	1
13	115844959	TBD	Operator's Manual, Portuguese	1
13	115844961	TBD	Operator's Manual, Polish	1
13	115844963	TBD	Operator's Manual, Estonian	1
13	115844964	TBD	Operator's Manual, Latvian	1
13	115844965	TBD	Operator's Manual, Lithuanian	1
13	115844968	TBD	Operator's Manual, Slovakian	1
13	115844990	TBD	Operator's Manual, Czech	1
14	115844220	TBD	Quick Guide DE/FR/NL/SI	1
14	115844239	TBD	Quick Guide DE/FR/IT/EN	1
14	115844250	TBD	Quick Guide CZ/SK/PL/HU	1
14	115844240	TBD	Quick Guide RU/EE/LV/LT	1
14	115844210	TBD	Quick Guide SE/NO/DK/FI	1
14	115844230	TBD	Quick Guide ES/PT/IT/EN	1