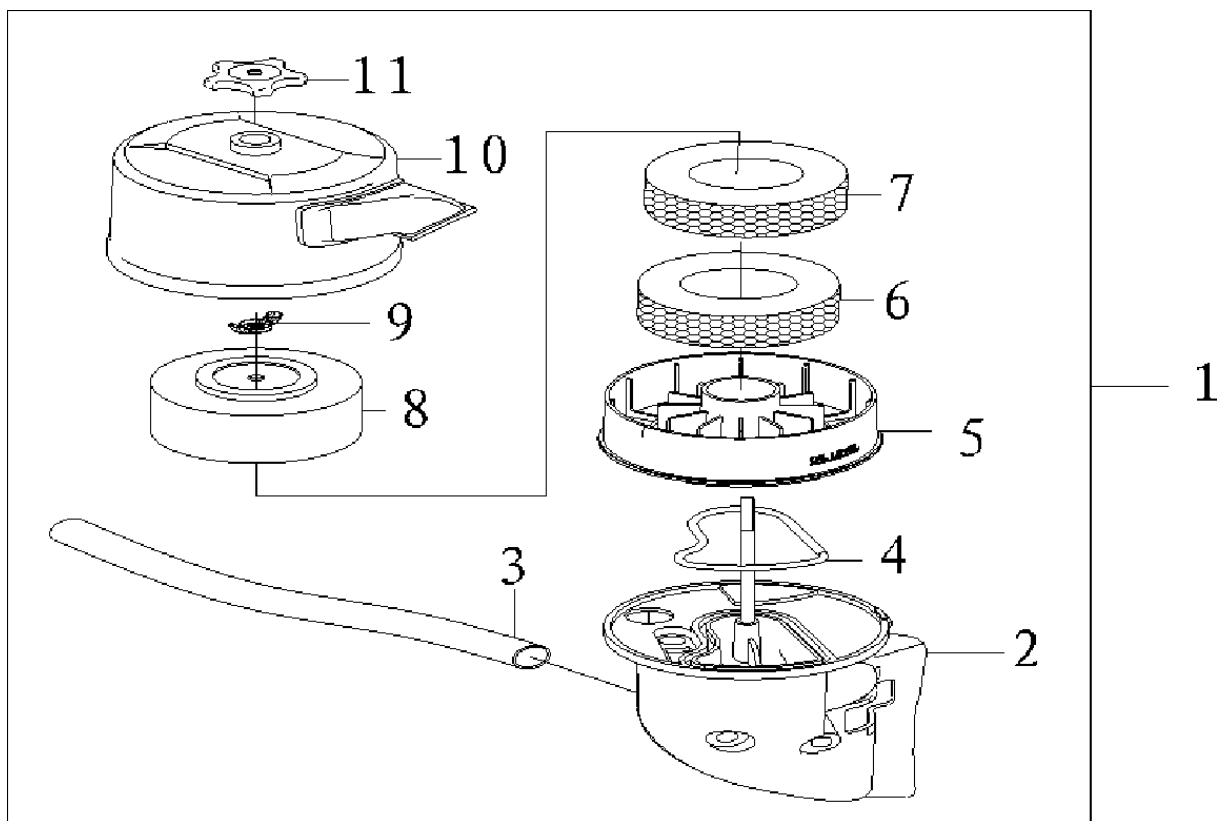




SPARE PARTS LIST

CULTIVATORS/TILLERS

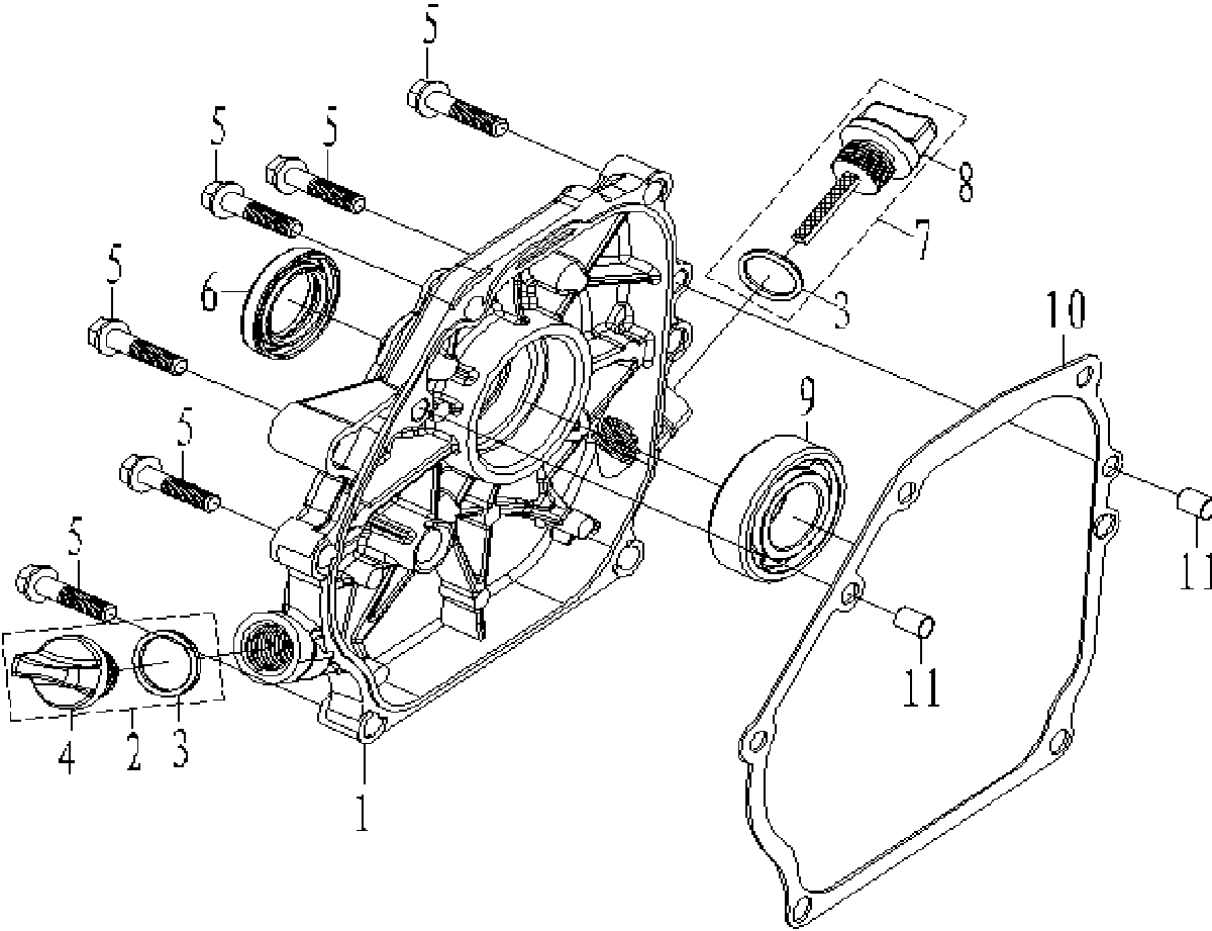
MFT85 212R, 967097401, 2017-01



AIR FILTER

MFT85 212R, 967097401, 2017-01

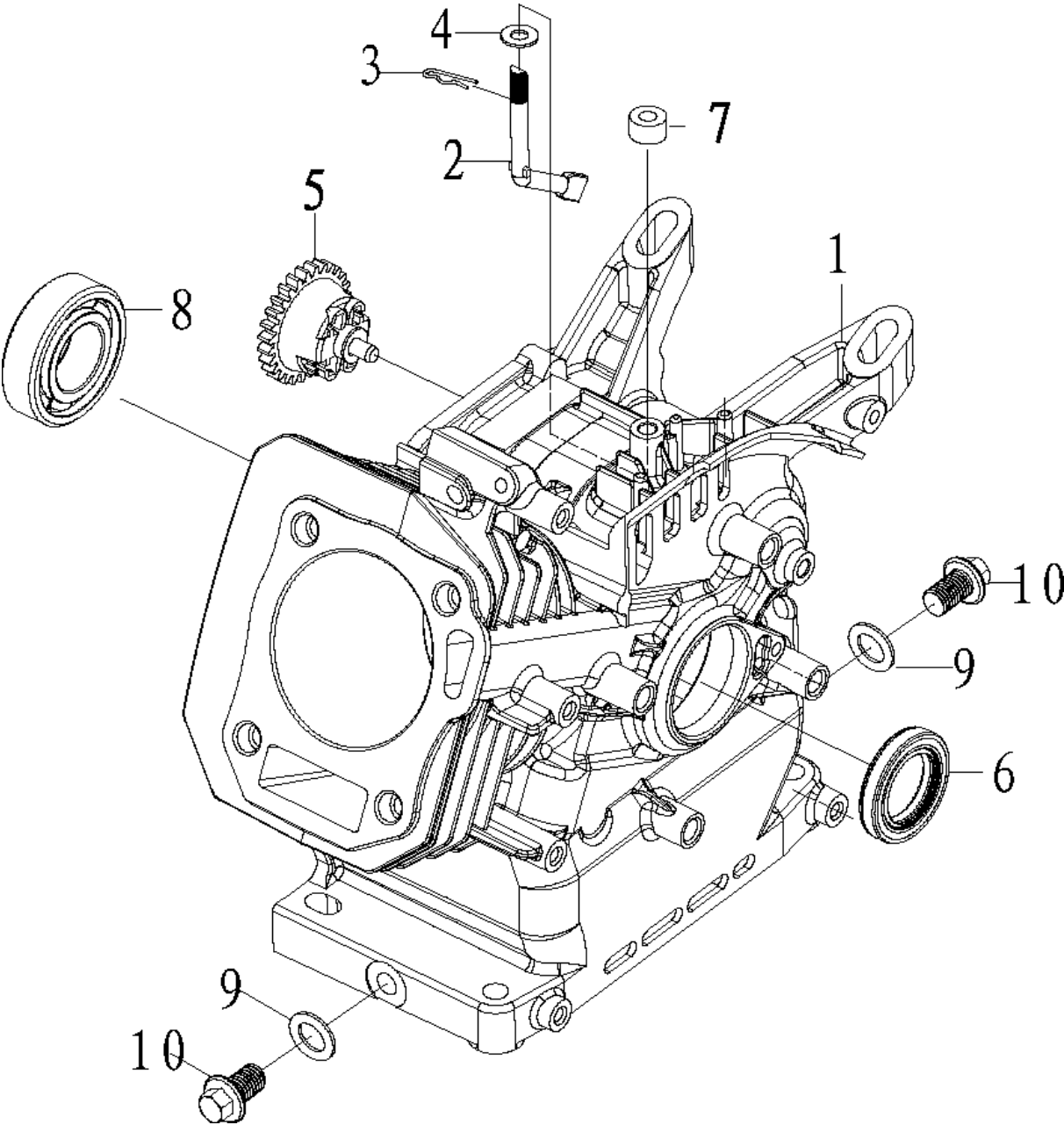
Ref	Part No	Description	Remark	QTY KIT
1	588 00 67-01	AIR CLEANER	AIR CLEANER ASSY	1
2	589 91 84-01	CASE	AIR CLEANER CASE	1
3	589 91 86-01	PIPE	WASTE GAS PIPE	1
4	589 91 87-01	GASKET	PACKING	1
5	589 91 89-01	COVER	BELOW COVER,AIR CLEANER	1
6	501 16 01-01	FILTER	SPENGE ELEMENT, AIR CLEANER	1
7	501 16 13-01	FILTER	SPENGE ELEMENT, AIR CLEANER	1
8	589 91 90-01	COVER	COVER,SEAL	1
9	589 91 91-01	WING NUT	BUTTERFLY NUT	1
10	589 91 92-01	COVER	COVER,AIR CLEANER	1
11	589 91 93-01	NUT	HANDWHEEL	1



CRANKCASE

MFT85 212R, 967097401, 2017-01

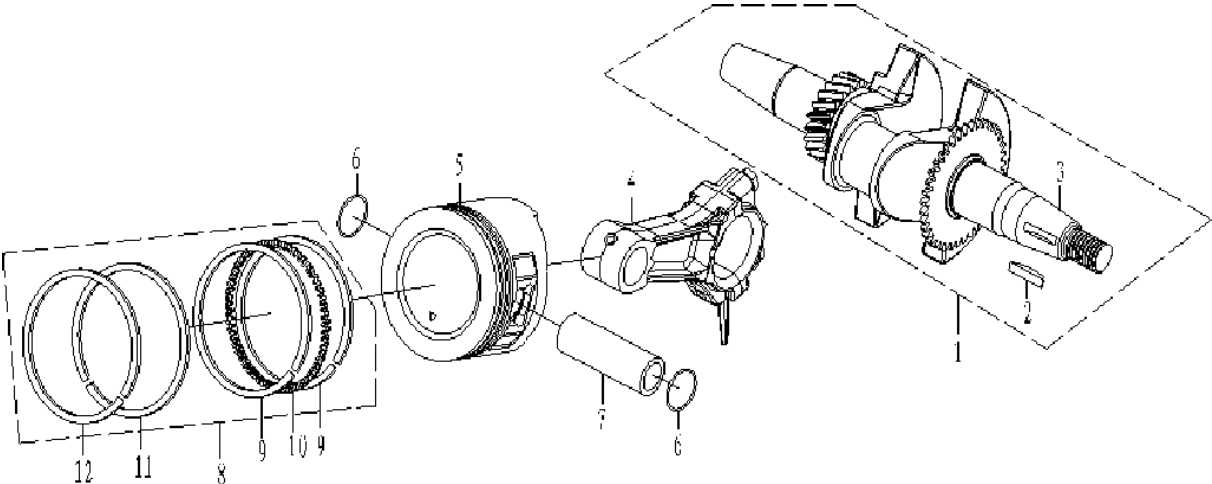
Ref	Part No	Description	Remark	QTY KIT
1	588 00 20-01	COVER	COVER, CRANKCASE	1
2	588 00 21-01	PLUG	OIL FILLER PLUG ASSY	1
3	588 00 22-01	SEALING	DIPSTICK SEALING RING	1
4	588 00 23-01	PLUG	OIL FILLER PLUG	2
5	589 91 16-01	BOLT	BOLT M8_32	6
6	588 00 11-01	KEEPER	OIL SEAL	2
7	588 00 24-01	DIPSTICK	DIPSTICK ASSY	1
8	588 00 26-01	DIPSTICK	DIPSTICK	1
9	587 94 21-01	BEARING	BEARING GB/T276/6205	2
10	588 00 27-01	GASKET	GASKET, CASE COVER	1
11	588 00 28-01	PIN	PIN, DOWEL, diam. 8_14	2



CRANKCASE

MFT85 212R, 967097401, 2017-01

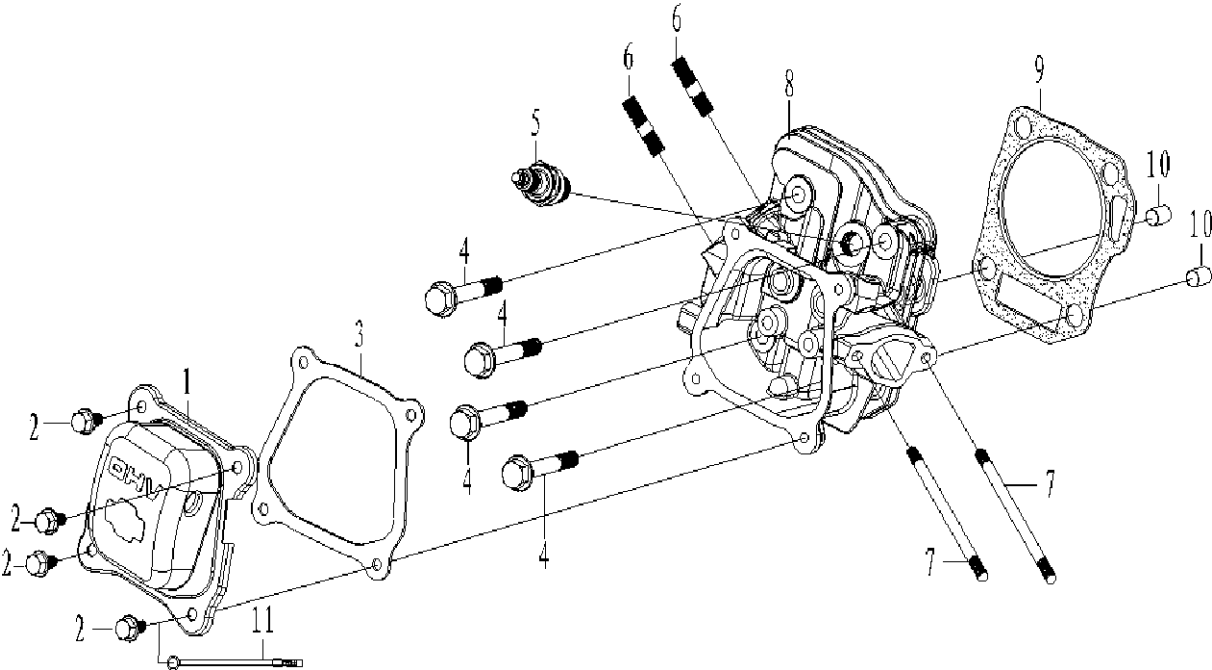
Ref	Part No	Description	Remark	QTY KIT
1	589 90 95-01	CRANKCASE ASSY	CRANKCASE COMP	1
2	588 00 10-01	ARM	GOVERNOR ARM SHAFT	1
3	588 00 11-01	KEEPER	LOCKER, GOVERNOR ARM SHAFT	1
4	589 90 96-01	WASHER	PLAIN WASHER diam. 6_diam. 13_1	1
5	589 91 13-01	GOVERNOR KIT	GOVERNOR KIT	1
6	588 00 18-01	SEAL	OIL SEAL diam. 25_ diam. 41.25_6	2
7	588 00 13-01	GOVERNOR	OIL SEAL diam. 6* diam. 11*4	1
8	587 94 21-01	BEARING	BEARING 6205	2
9	589 91 14-01	WASHER	PLAIN WASHER diam. 10_ diam. 16_1.5	2
10	589 91 15-01	BOLT	BOLT, DRAIN PLUG M10_15	2



CRANKSHAFT

MFT85 212R, 967097401, 2017-01

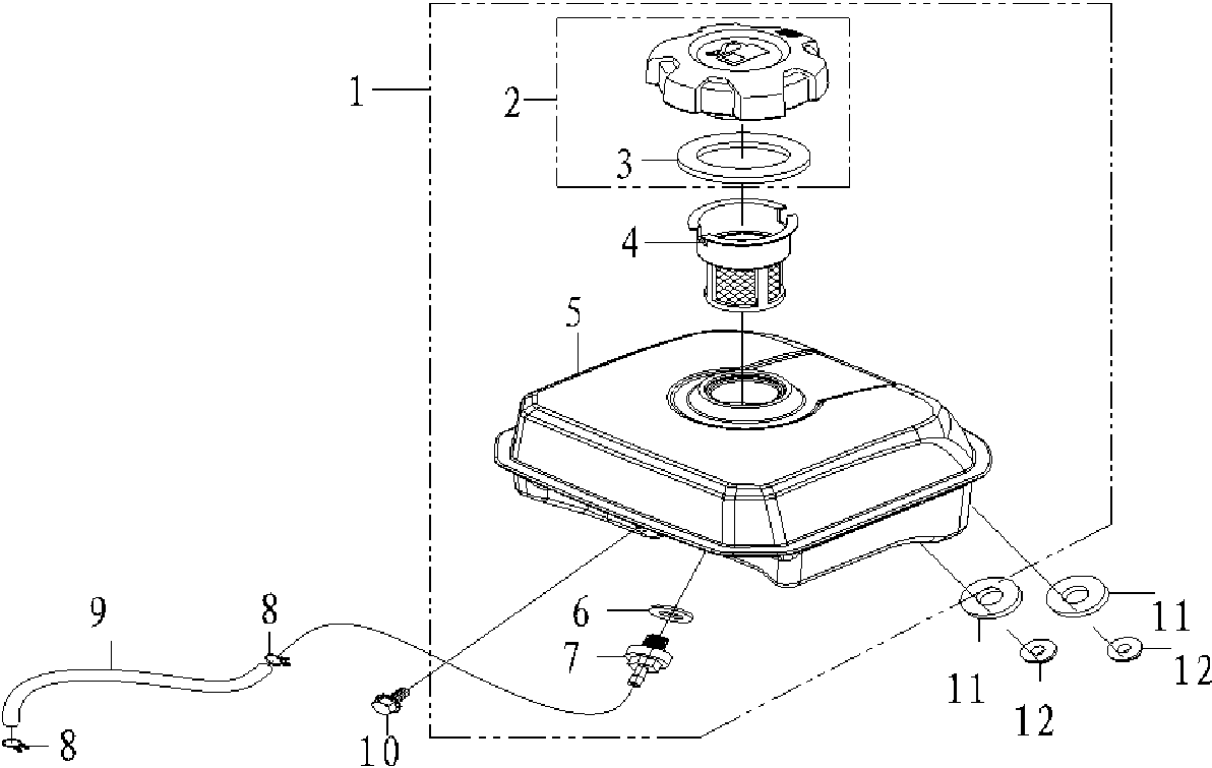
Ref	Part No	Description	Remark	QTY KIT
1	588 01 48-01	CRANKSHAFT	CRANK SHAFT ASSY	1
2	588 00 30-01	WOODRUFF KEY	SPECIAL WOODRUFF KEY	1
3	589 91 17-01	CRANKSHAFT	CRANK SHAFT	1
4	589 91 18-01	CONNECTING ROD ASSY	CONNECTING ROD ASSY	1
5	589 91 21-01	PISTON	PISTON	1
6	588 00 34-01	CLIP	CLIP, PISTON PIN	2
7	588 00 35-01	PISTON PIN	PIN, PISTON	1
8	588 01 52-01	PISTON RING	PISTON RING ASSY	1
9	588 01 53-01	FILM	FILM LOOP	1
10	588 01 54-01	BUSH	BUSH RING	1
11	588 01 55-01	RING	GAS RING TWO	1
12	588 01 56-01	RING	GAS RING ONE	1



CYLINDER

MFT85 212R, 967097401, 2017-01

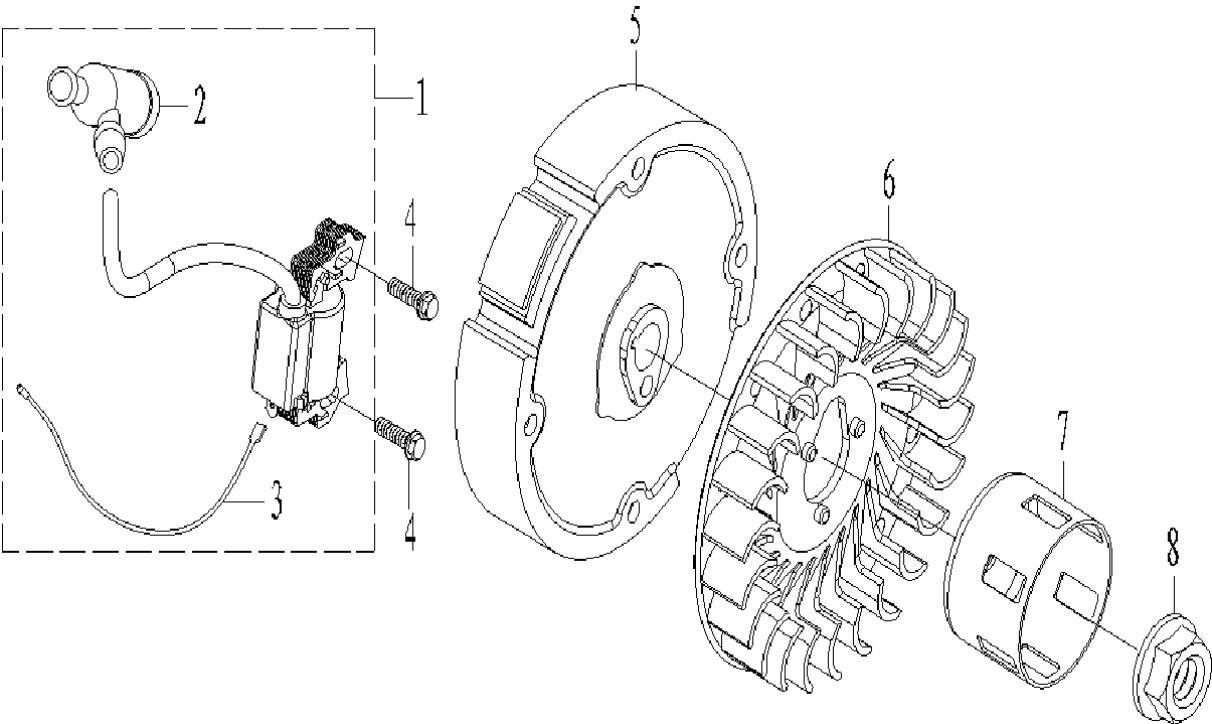
Ref	Part No	Description	Remark	QTY KIT
1	587 99 93-01	COVER	HEAD COVER	1
2	589 90 91-01	BOLT	BOLT GB/T5789 M6_16	1
3	587 99 95-01	GASKET	GASKET, HEAD COVER	1
4	589 90 92-01	BOLT	BOLT GB/T5789 M8_60	1
5	587 99 97-01	SPARK PLUG	PLUG, SPARK F7RTC	1
6	587 99 98-01	BOLT	BOLT, STUD, M8_35	2
7	587 99 99-01	BOLT	BOLT, STUD, M6_113	2
8	589 90 93-01	CYLINDER HEAD	CYLINDER HEAD ASSY	1
9	589 90 94-01	GASKET	GASKET, CYLINDER HEAD	1
10	588 00 07-01	PIN	PIN, DOWEL diam. 10_16	1
11	588 47 60-01	CONNECTION	FLAMEOUT LINE SPLICE	1



FUEL TANK

MFT85 212R, 967097401, 2017-01

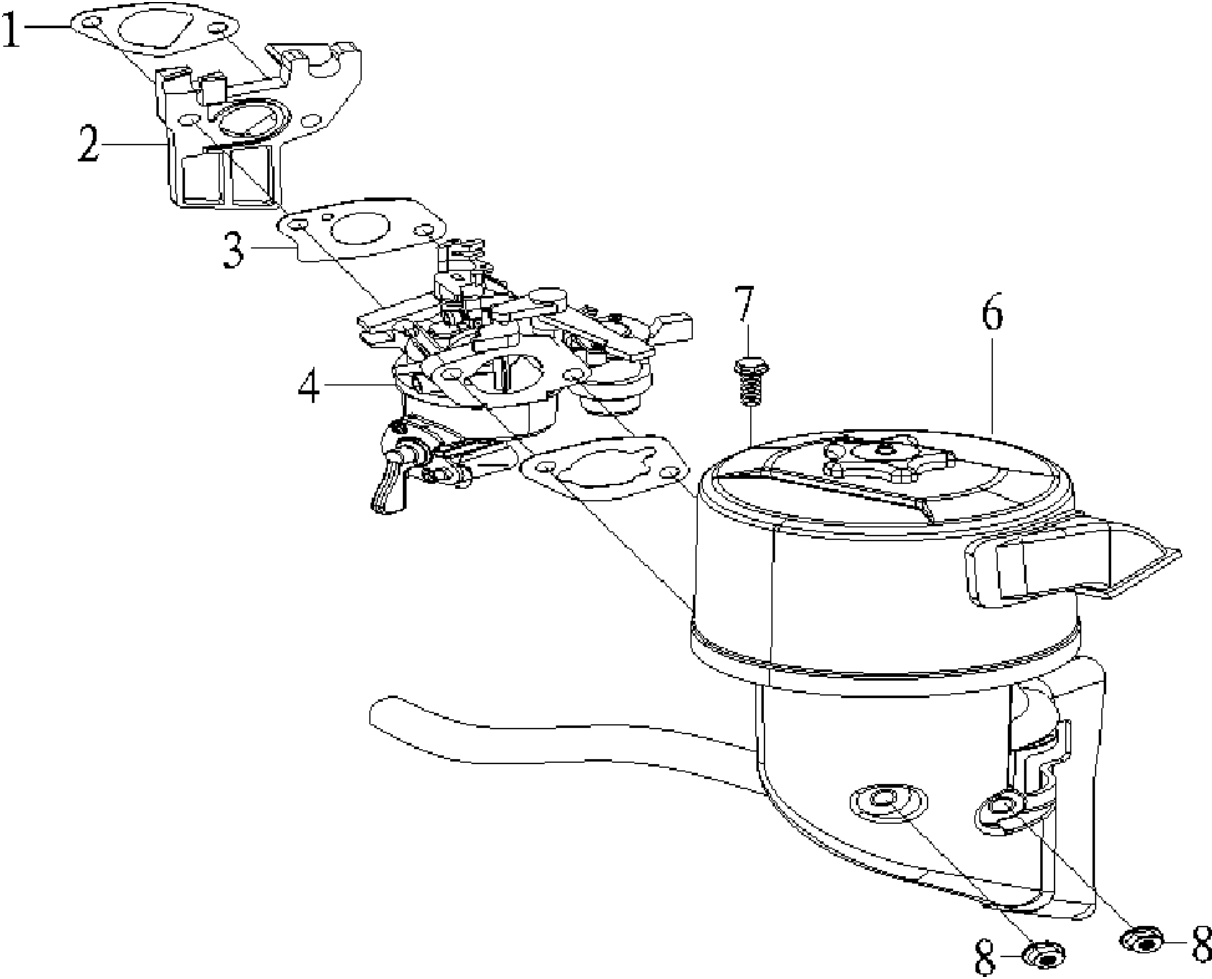
Ref	Part No	Description	Remark	QTY KIT
1	589 93 12-01	FUEL TANK ASSY	TANK FUEL COMP.	1
2	589 93 13-01	FUEL CAP ASSY	CAP COMP,FUEL FILLER	1
3	589 93 16-01	GASKET	PACKING,FUEL FILLER	1
4	589 93 17-01	FILTER	FILTER FUEL	1
5	589 93 18-01	FUEL TANK	FUEL TANK	1
6	589 93 19-01	GASKET	PACKING	1
7	589 93 20-01	JOINT	JOINT,FUEL TANK	1
8	588 17 81-01	CLIP	CLIP,TUBE	2
9	589 93 21-01	FUEL HOSE	TUBE,FUEL	1
10	589 93 22-01	BOLT	BOLT M6_30	1
11	589 93 23-01	WASHER	WASHER,	2
12	588 00 77-01	BOLT	NUT M6	2



IGNITION SYSTEM

MFT85 212R, 967097401, 2017-01

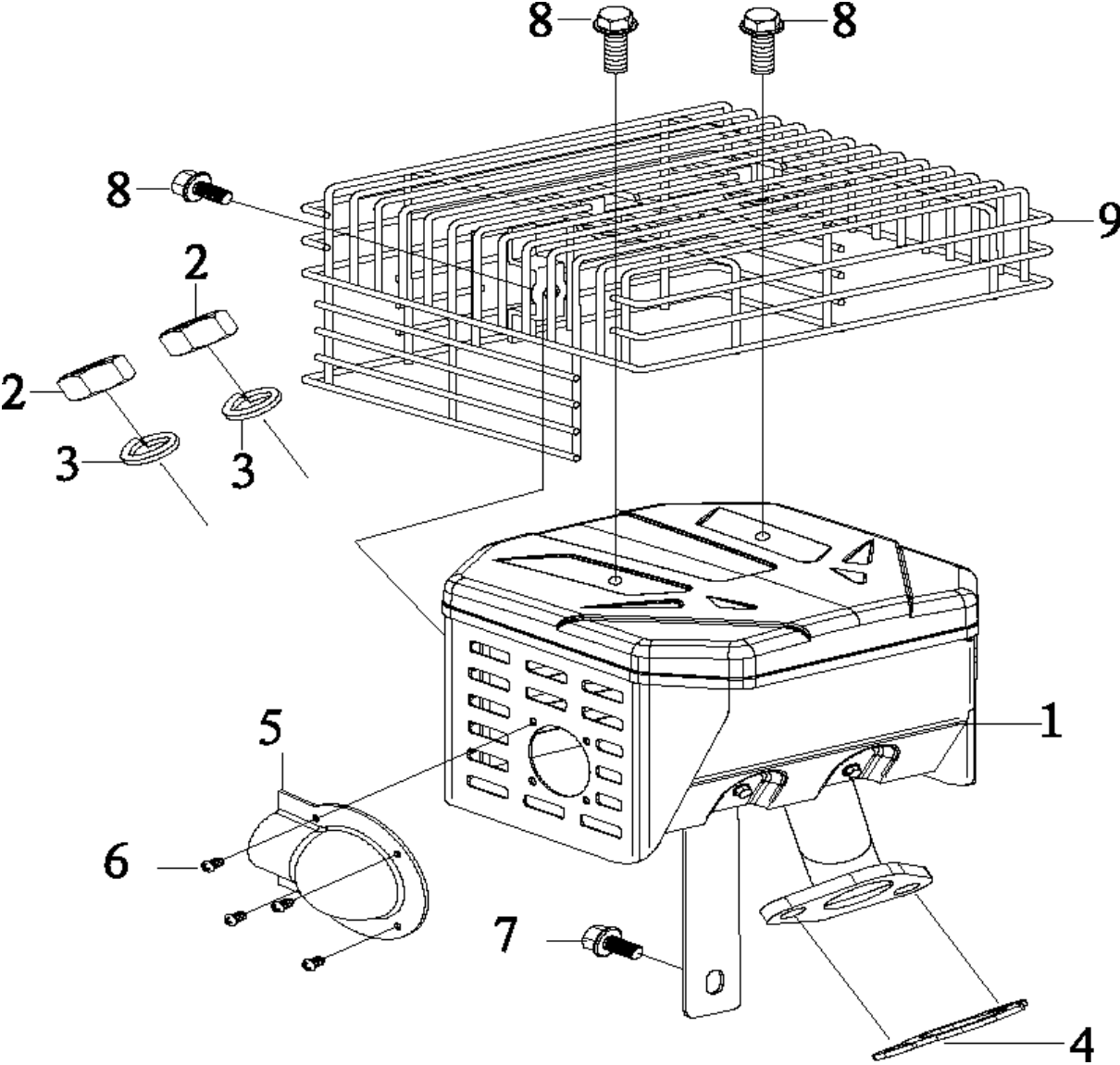
Ref	Part No	Description	Remark	QTY KIT
1	589 92 57-01	IGNITION KIT	IGNITION	1
2	589 92 59-01	CAP	CAP, IGNITION	1
3	589 92 60-01	CORD	CORD, STOP SWITCH	1
4	589 91 83-01	BOLT	BOLT M6_22	1
5	588 00 83-01	FLYWHEEL	FLYWHEEL	1
6	588 00 84-01	FAN	FAN, COOLING	1
7	588 00 85-01	PULLEY	PULLEY, STARTER	1
8	589 92 63-01	NUT	NUT M14_1.5	2



INTAKE SYSTEM

MFT85 212R, 967097401, 2017-01

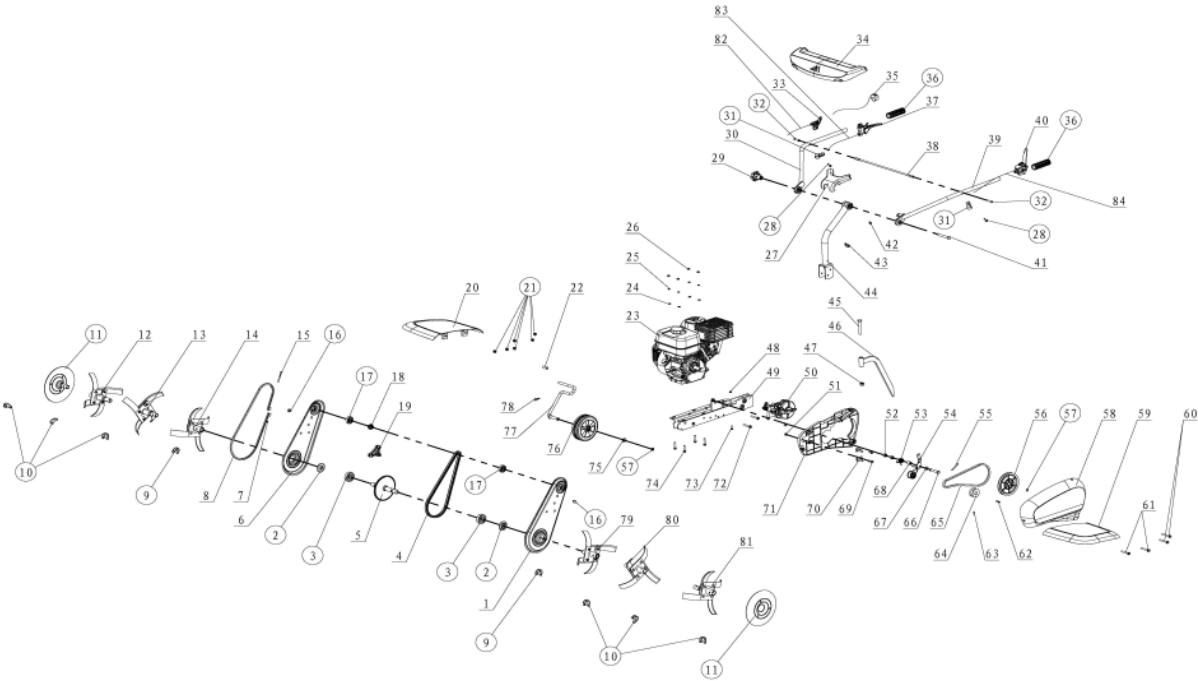
Ref	Part No	Description	Remark	QTY KIT
1	588 00 63-01	WASHER	AIR INTAKE WASHER	1
2	588 00 64-01	INSULATOR	INSULATOR	1
3	588 01 68-01	GASKET	PACKING, CARBURETOR	1
4	588 00 65-01	CARBURETTOR	CARBURETOR	1
5	589 91 82-01	GASKET	GASKET, AIR CLEANER	1
6	588 00 67-01	AIR CLEANER	AIR CLEANER ASSY	1
7	589 91 83-01	BOLT	BOLT/M6_22	3
8	588 00 77-01	BOLT	NUT GB/T6177/M6	5



MUFFLER

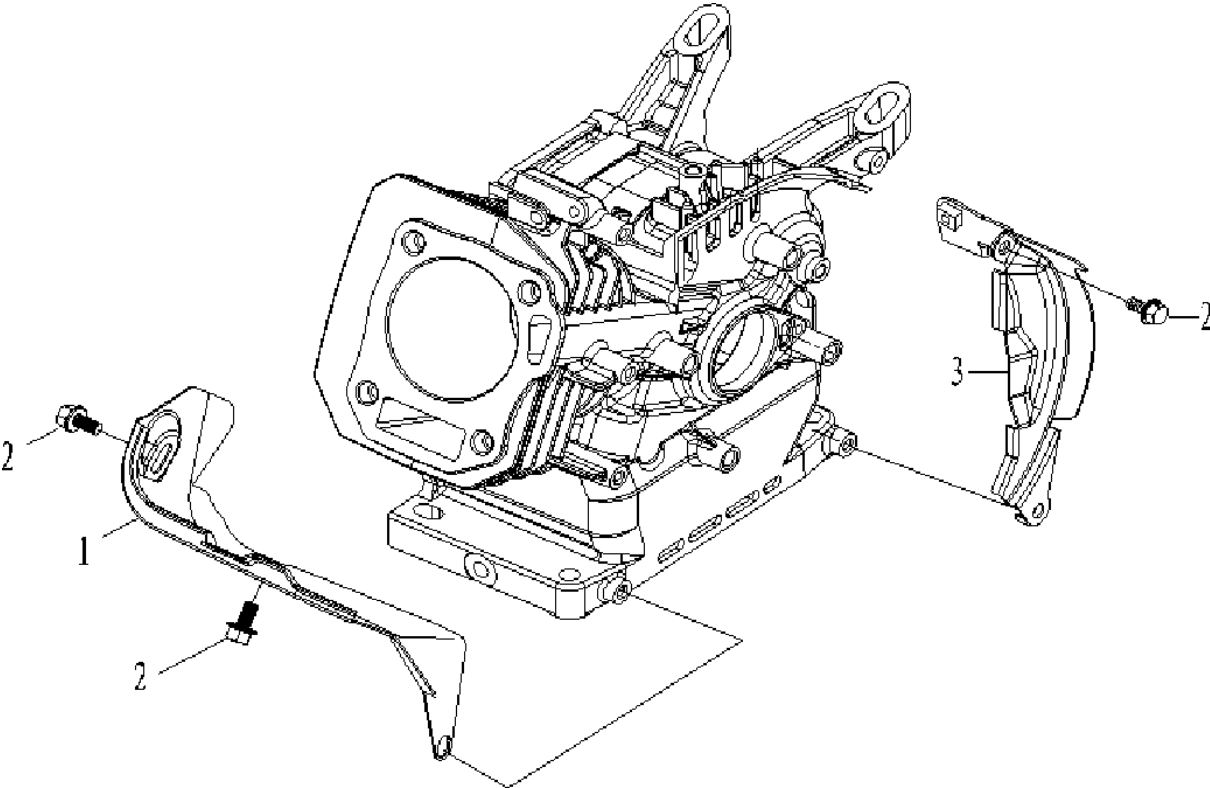
MFT85 212R, 967097401, 2017-01

Ref	Part No	Description	Remark	QTY KIT
1	588 00 87-01	MUFFLER	MUFFLER COMP	1
2	589 93 09-01	NUT	NUT M8	2
3	589 93 10-01	SPRING WASHER	SPRING WASHER 8	2
4	588 00 90-01	WASHER	AIR EXHAUST WASHER	1
5	589 93 08-01	RING	GUIDING COVER	1
6	588 00 89-01	SCREW	SCREW ST4.2_5	4
7	589 92 56-01	BOLT	BOLT M6_12	1
8	589 91 26-01	BOLT	BOLT M6_12	3
9	588 47 62-01	NET	ANTI SCALD NET	1



Ref	Part No	Description	Remark	QTY KIT
1	589 93 35-01	GEARBOX	gearbox (L)	1
2	589 93 36-01	SEAL	oil seal for output shaft	2
3	589 93 38-01	BALL BEARING	deep groove ball bearing 6305	2
4	589 93 40-01	CHAIN	chain08B-80	1
5	589 93 42-01	SHAFT ASSY	output shaft assembly	1
6	589 93 43-01	GEARBOX	gearbox "	1
7	589 93 44-01	HEXAGON LOCKING NUT	hexgon locking nut M6 (non-metallic)	3
8	589 93 45-01	RING	Ring	1
9	589 93 46-01	TORSION SPRING	torsinoal spring pin diam. 10	2
10	589 93 47-01	TORSION SPRING	torsinoal spring pin diam. 8	6
11	589 93 48-01	GUARD	plant gurad	2
12	590 03 62-01	TINE	tine assembly No.2(R)	2
13	590 03 63-01	TINE	tine assembly No.1(R)	2
14	590 03 64-01	TINE	tine assembly,main(R)	2
15	589 93 83-01	SCREW	Hexagon socket head cap screws M6_55	1
16	589 93 86-01	OIL PLUG	oil filler plug	2
17	589 93 90-01	BALL BEARING	deep groove ball bearing 6305-2Z	2
18	589 93 94-01	SPROCKET	driving sprocket	1
19	589 93 97-01	SUPPORT	supporting shoe for chain	1
20	589 94 01-01	SHIELD	COVER	1
21	589 94 02-01	HEXAGON LOCKING NUT	hexgon locking nut M8(non-metallic)	8
22	589 94 10-01	SPACER	spacer bush 9x14x35	1
23	589 94 14-01	ENGINE	WM170F-2/P gasoline engine assembly	1
24	589 94 16-01	WASHER	flat washer No.8	4
25	589 94 24-01	SPRING WASHER	spring washer No.8	4
26	589 94 26-01	HEXAGON NUT	hexagon nut M8	4
27	589 94 29-01	COVER	Tidy cover	1
28	589 94 32-01	BOLT	Hexagon flange bolts M6x25	2
29	589 94 34-01	KNOB	Locking knob for handle set	1
30	589 94 68-01	CONNECTION ROD	connecting pipe(R) for handle set	1
31	589 94 71-01	PLUG	Plug	2
32	589 94 72-01	SCREW	Hexagon socket button head screws M8x30	2
33	589 94 74-01	THROTTLE CONTROL	THROTTLE CONTROL	1
34	589 94 75-01	COVER	upper cover	1
35	589 94 76-01	SWITCH	shut down switch diam. 22	1
36	589 94 77-01	GRIP	grip diam. 22	2
37	589 94 78-01	HANDLE	reverse clutch handle	1
38	589 94 79-01	BAR	horizon bar for handle set	1
39	589 94 80-01	CONNECTING ROD	connecting pipe(L) for handle set	1
40	589 94 81-01	HANDLE	clutch handle	1
41	589 94 82-01	BOLT	hexagon bolt M12x90	1
42	589 94 84-01	BOLT	Hexagon flange bolts M6x12	1
43	589 94 85-01	HOLDER	wire holder	1
44	589 94 86-01	ROD	ROD	1
45	589 94 91-01	BOLT	hexagon bolt M14x90	1
46	589 94 92-01	ROD	resistance rod	1
47	589 94 94-01	HEXAGON LOCKING NUT	hexgon locking nut M14(non-metallic)	1
48	589 94 96-01	HEXAGON NUT FLANGE	Hexagon flange nuts M6	1
49	589 94 98-01	SUPPORT	engine support	1
50	589 95 00-01	GEARBOX ASSY	reversing gearbox assy	1
51	589 95 02-01	SPACER	spacer bush 9x13x9	2
52	589 95 03-01	HEXAGON LOCKING NUT	hexgon locking nut M12(non-metallic)	2

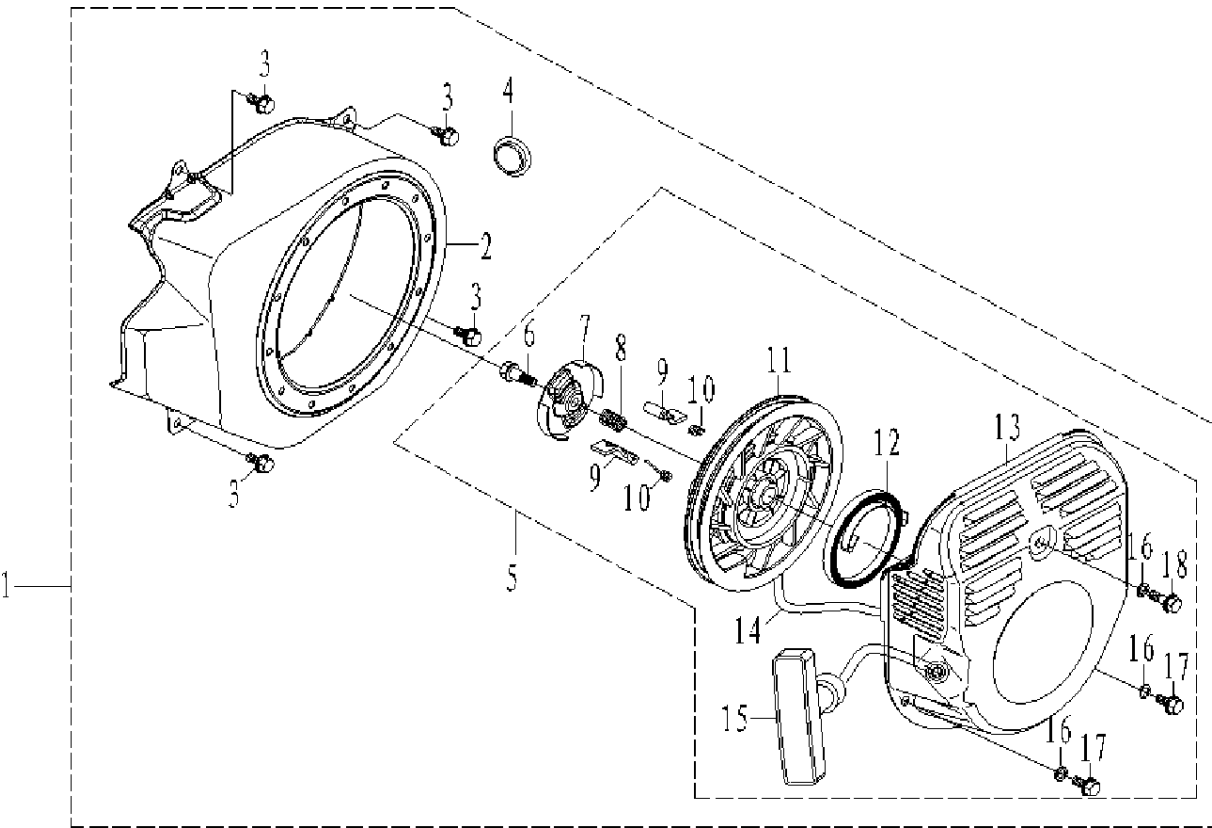
Ref	Part No	Description	Remark	QTY KIT
53	589 95 04-01	SPRING	tensioning wheel spring	1
54	589 95 05-01	TENSIONER	tensioning wheel assembly	1
55	589 95 06-01	PIN	round pin 6x60	1
56	589 95 07-01	PULLEY	driven pulley	1
57	589 95 08-01	SNAP RING	snap ring No.14	2
58	589 95 09-01	BELT COVER	belt cover	1
59	589 95 10-01	COVER	COVER	1
60	589 95 11-01	BOLT	Hexagon flange bolts M8x60	2
61	590 24 06-01	BOLT	Hexagon flange bolts M8x65	2
62	589 96 54-01	KEY	flat key 5x5x30	1
63	589 96 57-01	SCREW	hexagon socket set screw with cone point M8x16	1
64	589 96 60-01	PULLEY	driving pulley	1
65	589 96 64-01	BELT	belt 13x895LW	1
66	589 96 72-01	BOLT	bolt M12x60	1
67	589 96 76-01	WASHER	flat washer 12	1
68	589 96 80-01	SPACER	spacer busher 12.5x20x24	1
69	589 96 86-01	BOLT	Hexagon flange bolts M8x20	2
70	589 96 91-01	BELT GUIDE	BELT GUIDE	2
71	589 96 94-01	PLATE	belt cover baseplate	1
72	590 01 90-01	BOLT	Hexagon flange bolts M8x55	2
73	590 01 91-01	BOLT	Hexagon flange bolts M6x20	1
74	590 01 95-01	BOLT	hexagon bolt M8x40	4
75	590 01 97-01	WASHER	flat washer No.14	1
76	590 01 99-01	WHEEL	front wheel	1
77	590 02 00-01	BAR	BAR	1
78	590 02 02-01	RING	jump ring B	1
79	590 02 03-01	TINE	tine assembly main(L)	1
80	590 02 04-01	TINE	tine assembly No.1(L)	1
81	590 02 05-01	TINE	tine assembly, No.2(L)	1
82	590 03 66-01	THROTTLE CABLE	throttle cable	1
83	590 03 67-01	CABLE	reverse cable	1
84	590 03 68-01	CABLE	clutch cable	1



SHIELD

MFT85 212R, 967097401, 2017-01

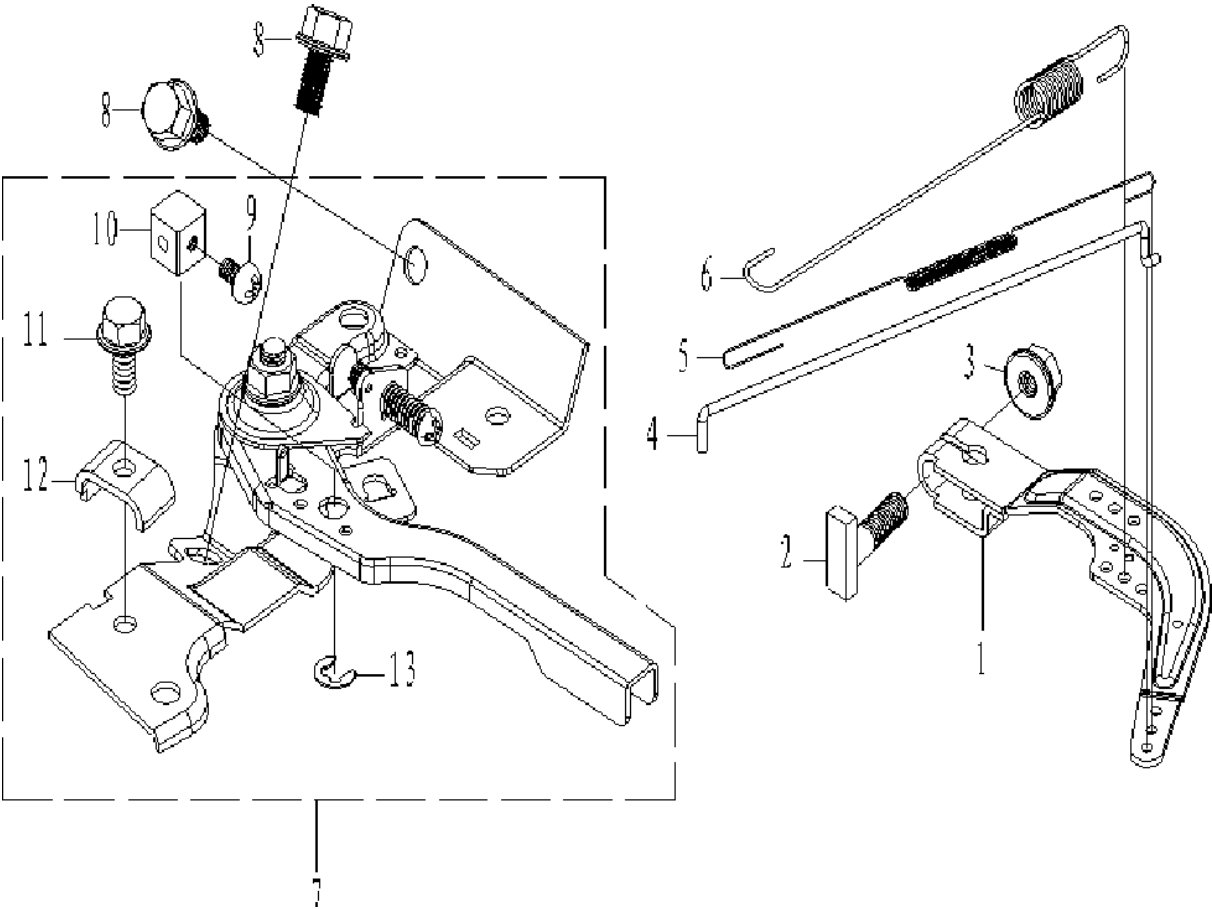
Ref	Part No	Description	Remark	QTY KIT
1	588 01 41-01	SHIELD	WINDSHIELD	1
2	589 92 56-01	BOLT	BOLT M6_12	3
3	588 01 42-01	SHROUD	SHROUD COMP	1



STARTER

MFT85 212R, 967097401, 2017-01

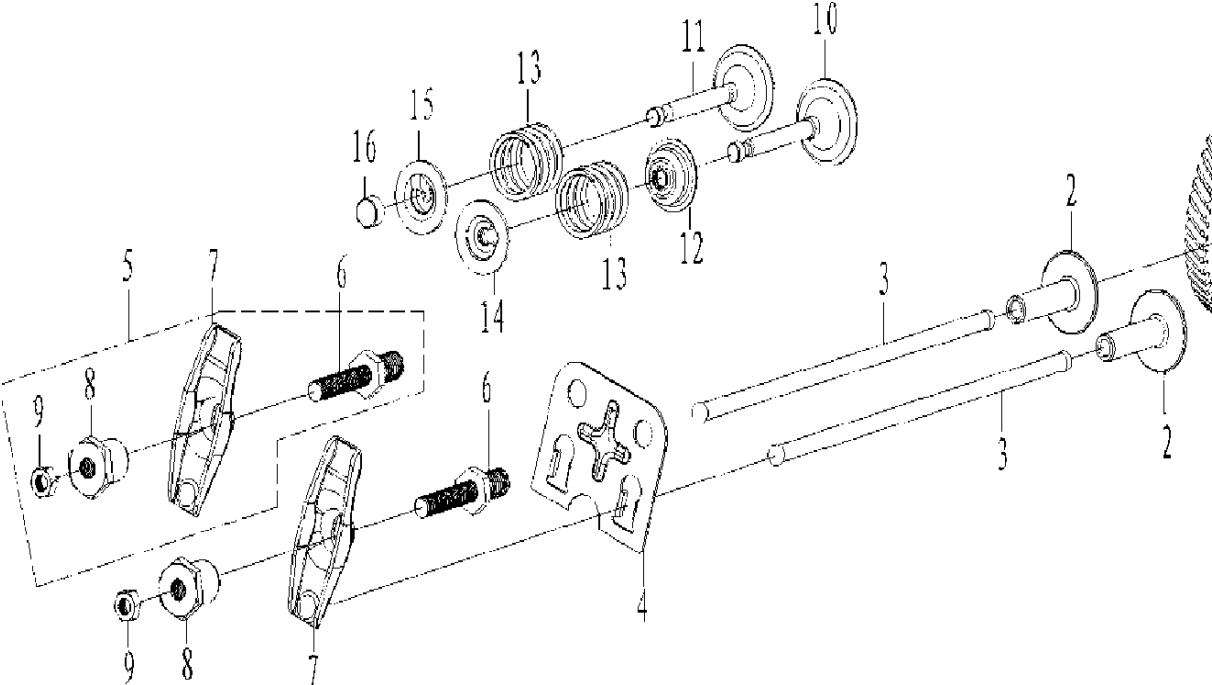
Ref	Part No	Description	Remark	QTY KIT
1	589 91 24-01	STARTER ASSY	RECOIL STARTER ASSY	1
2	589 91 25-01	SCOOP	WIND SCOOPER	1
3	589 91 26-01	BOLT	BOLT GB/T16674.1/M6x12 4	
4	589 91 27-01	PLUG	PLUG,RECOIL STARTER	1
5	589 91 30-01	STARTER	STARTER COMP, RECOIL	1
6	589 91 31-01	BOLT	CENTER POSITION BOLT	1
7	589 91 32-01	GUIDE	RATCHET, GUIDE	1
8	589 91 33-01	SPRING	CENTER POSITION SPRING	1
9	589 91 34-01	RATCHET	RATCHET, STARTER	2
10	589 91 36-01	SPRING	SPRING, RETURN	2
11	589 91 37-01	REEL	REEL, RECOIL STARTER	1
12	589 91 37-01	REEL	SPRING, STARTER RETURN	1
13	589 91 38-01	SPRING	STARTER COVER COMP, RECOIL	1
14	589 91 39-01	COVER ASSY	ROPE, RECOIL STARTER	1
15	589 91 40-01	ROPE	HANDLE, STARTER	1
16	589 91 41-01	HANDLE	RECOIL STARTER ASSY 6	3
17	589 91 43-01	BOLT	BOLT M6_10	4
18	589 91 80-01	BOLT	BOLT M6_60	4



THROTTLE CONTROLS

MFT85 212R, 967097401, 2017-01

Ref	Part No	Description	Remark	QTY KIT
1	589 92 46-01	ARM	ARM, GOVERNOR	1
2	588 00 71-01	BOLT	T-SHAPE BOLT	1
3	588 00 77-01	BOLT	NUT M6	1
4	589 92 48-01	TIE ROD	TIE ROD	1
5	589 92 49-01	SPRING	FINE ADJUSTMENT SPRING	1
6	589 92 54-01	SPRING	GOVERNING SPRING	1
7	588 00 76-01	CONTROL	CONTROL ASSY	1
8	589 92 56-01	BOLT	BOLT M6_12	2
9	588 00 78-01	SCREW	SCREW M4_6	1
10	588 01 70-01	CLAMP	WIRE TERMINAL	1
11	588 00 79-01	BOLT	BOLT M5_16	1
12	588 01 69-01	CONNECTION	PRESS LINE BOARD	1
13	588 00 80-01	WASHER	SPLIT WASHER	1



VALVES

MFT85 212R, 967097401, 2017-01

Ref	Part No	Description	Remark	QTY KIT
1	588 00 41-01	CAMSHAFT	CAMSHAFT ASSY	1
2	588 00 42-01	ARM	LIFTER, VALVE	2
3	588 00 43-01	ROD	ROD, PUSH	2
4	588 00 44-01	PLATE	PLATE, PUSH ROD GUIDE	1
5	588 00 45-01	ARM	ARM ASSY, VALVE ROCKER	2
6	588 00 46-01	BOLT	BOLT, PIVOT	2
7	588 00 47-01	ARM	ARM, VALVE ROCKER	2
8	588 00 48-01	NUT	ADJUSTING NUT, VALVE	2
9	588 00 50-01	NUT	NUTT, PIVOT LOCKING	2
10	588 00 51-01	INLET	VALVE, INLET	1
11	589 91 22-01	VALVE	VALVE, EXHAUST	1
12	588 00 53-01	SEAL	VALVE SEAL	1
13	588 00 54-01	SPRING	SPRING, VALVE	2
14	588 00 55-01	SPRING	INTAKE VALVE SPRING SEAT	1
15	588 00 56-01	SPRING	EXHAUST VALVE SPRING SEAT	1
16	588 00 57-01	ADJUSTER	ADJUSTER, EX. VALVE	1