

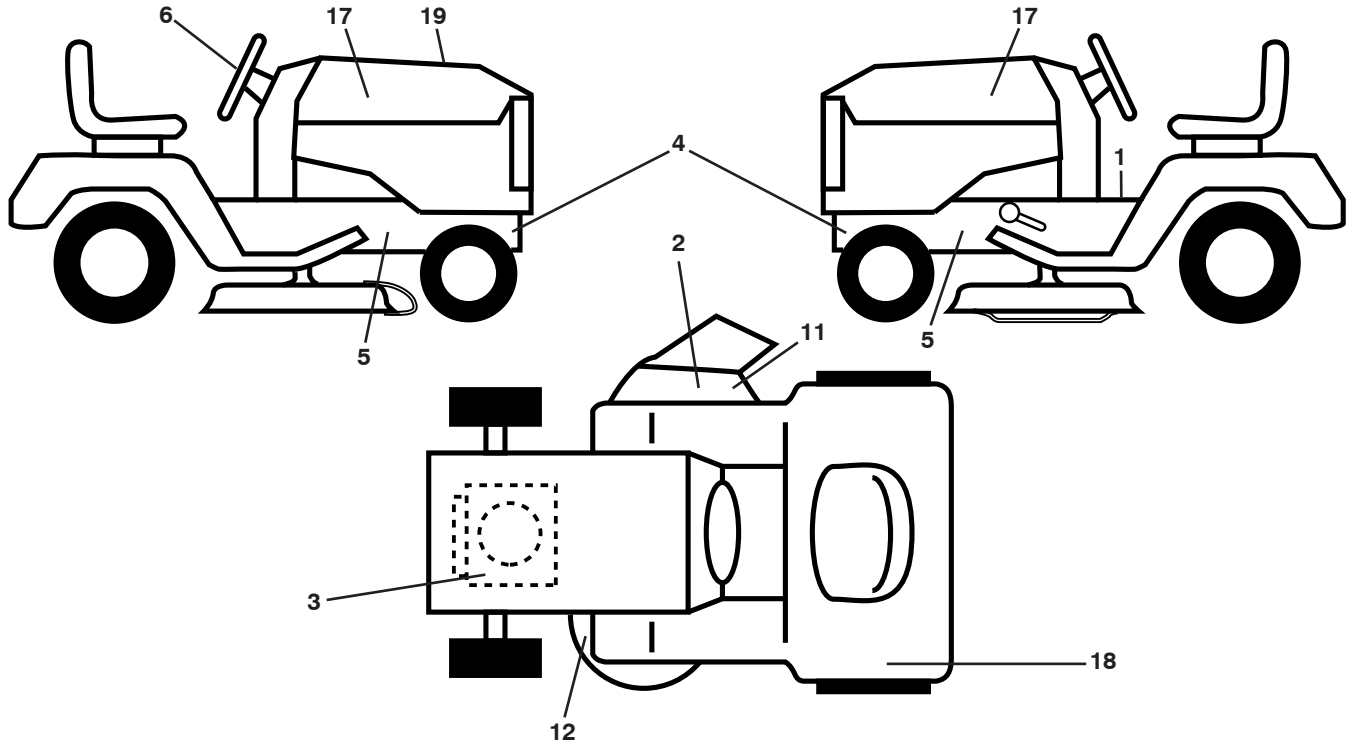
ILLUSTRATED PARTS LIST

MODEL NO. 96041040700

CUSTOMER CATALOG NO. M165-97T

PRODUCT NO. 960 41 04-07

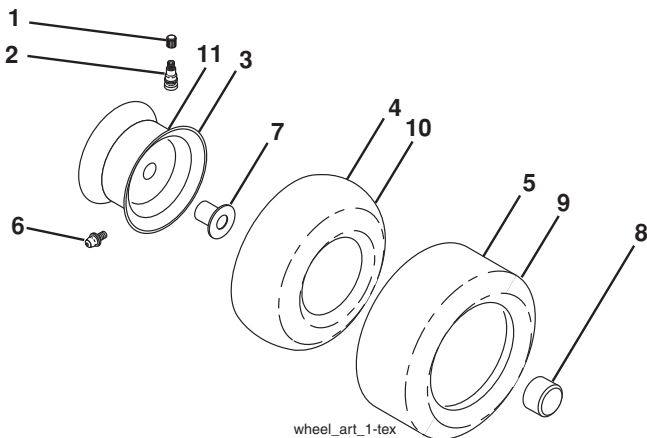
**TRACTOR - - MODEL NO. M165-97T (96041040700), PRODUCT NO. 960 41 04-07
DECALS 27**



| KEY NO. | PART NO. | DESCRIPTION |
|---------|--------------|----------------------------|
| 1 | 581 57 83-01 | Decal, Operators |
| 2 | 584 90 46-01 | Decal, Deflect. Warning |
| 3 | 581 57 97-01 | Decal, Engine Warning |
| 4 | 581 57 98-01 | Decal, Warning Ser./Fire |
| 5 | 581 57 96-01 | Decal, Chassis Hot Muffler |
| 6 | 501 49 43-01 | Decal, Steering Wheel |
| 11 | 581 57 92-01 | Decal, Warning |
| 12 | 581 58 00-03 | Decal, Deck Sch. |
| 17 | 581 09 12-01 | Decal, Hood |
| 18 | 591 16 36-01 | Decal, Fender |

| KEY NO. | PART NO. | DESCRIPTION |
|---------|--------------|----------------------------|
| 19 | 591 17 13-01 | Decal, Replacement |
| -- | 581 72 46-01 | Decal, Drawbar |
| -- | 532 40 95-07 | Pad, Footrest RH |
| -- | 532 40 95-05 | Pad, Footrest, LH |
| -- | 581 72 48-01 | Decal, Bypass |
| -- | 115 91 14-40 | Manual Operator's (Euro) |
| -- | 115 91-15-50 | Manual Operator's (Scan) |
| -- | 115 91-16-20 | Manual Operator's (E-Bloc) |
| -- | 115 91-17-30 | Manual Operator's (Baltic) |

WHEELS AND TIRES



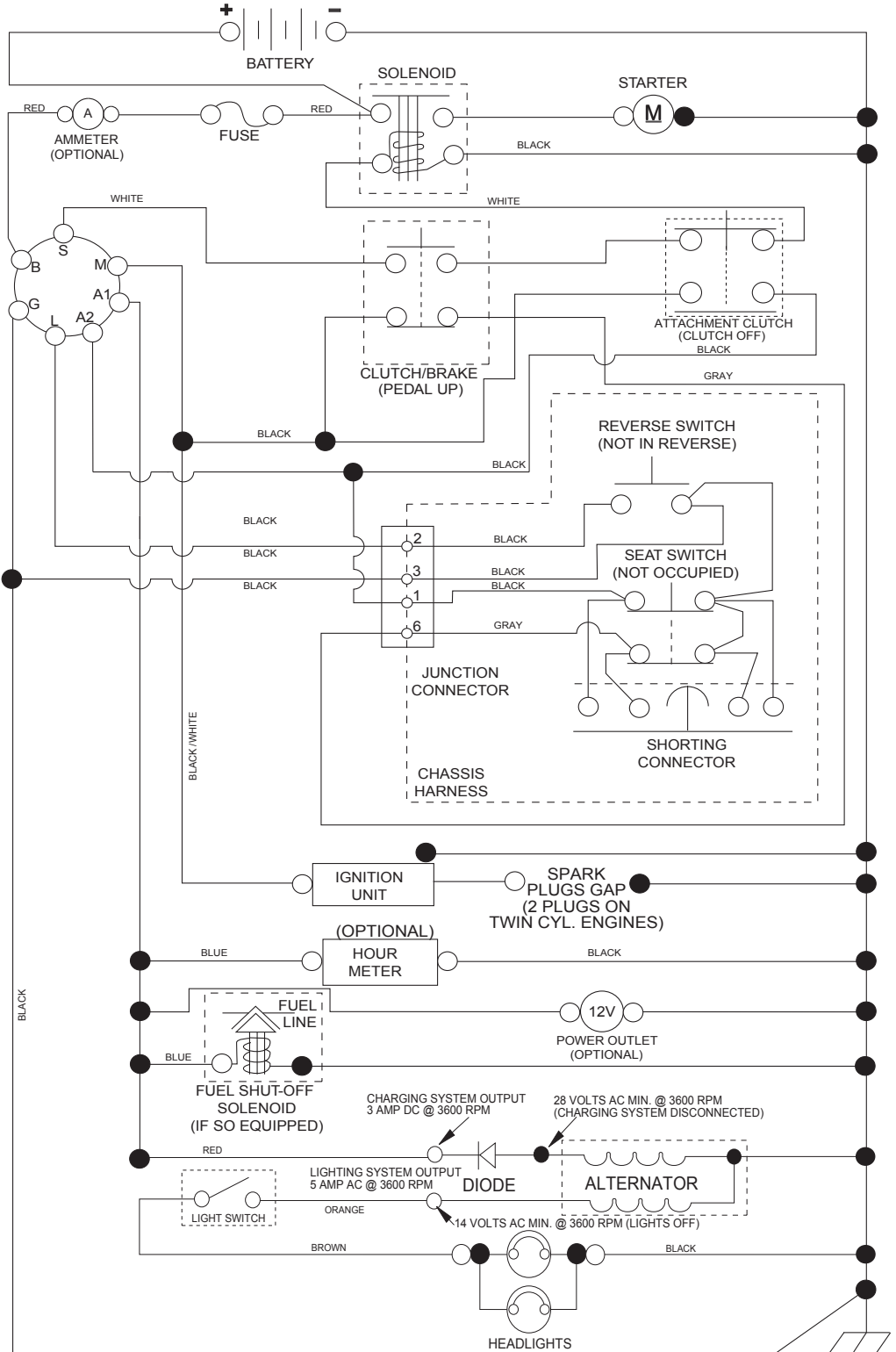
| KEY NO. | PART NO. | DESCRIPTION |
|---------|--------------|-----------------------------------|
| 1 | 532 05 91-92 | Cap Valve Tire |
| 2 | 532 06 51-39 | Stem Valve |
| 3 | 532 12 51-21 | Rim Asm 6" Front |
| 4 | 532 05 99-04 | Tube Front (Service Item Only) |
| 5 | 532 10 62-22 | Tire Front 15 x 6-6 |
| 6 | 532 00 02-78 | Fitting Grease (Front Wheel Only) |
| 7 | 532 00 90-40 | Bearing Flange (Front Wheel Only) |
| 8 | 532 19 32-68 | Cap Axle 1 50 x 1 00 |
| 9 | 532 12 46-35 | Tire Rear 18 x 8.5-8 |
| 10 | 532 00 71-52 | Tube Rear (Service Item Only) |
| 11 | 532 12 51-22 | Rim Asm 8" Rear |
| -- | 532 14 43-34 | Sealant, Tire (10 oz. Tube) |

NOTE: All component dimensions given in U.S. inches
1 inch = 25.4 mm

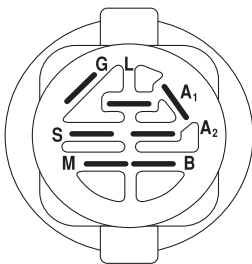
TRACTOR - - MODEL NO. M165-97T (96041040700), PRODUCT NO. 960 41 04-07

SCHEMATIC 38

SCH11

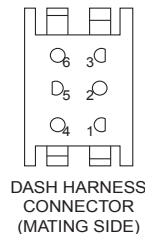
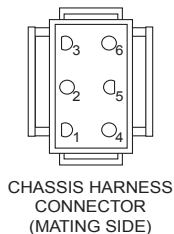


NOTE
YOUR TRACTOR IS EQUIPPED WITH A SPECIAL ALTERNATOR SYSTEM. THE LIGHTS ARE NOT CONNECTED TO THE BATTERY, BUT HAVE THEIR OWN ELECTRICAL SOURCE. BECAUSE OF THIS, THE BRIGHTNESS OF THE LIGHTS WILL CHANGE WITH ENGINE SPEED. AT IDLE THE LIGHTS WILL DIM. AS THE ENGINE IS SPEEDED UP, THE LIGHTS WILL BECOME THEIR BRIGHTEST.

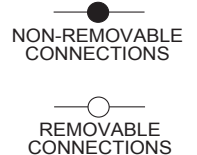


IGNITION SWITCH

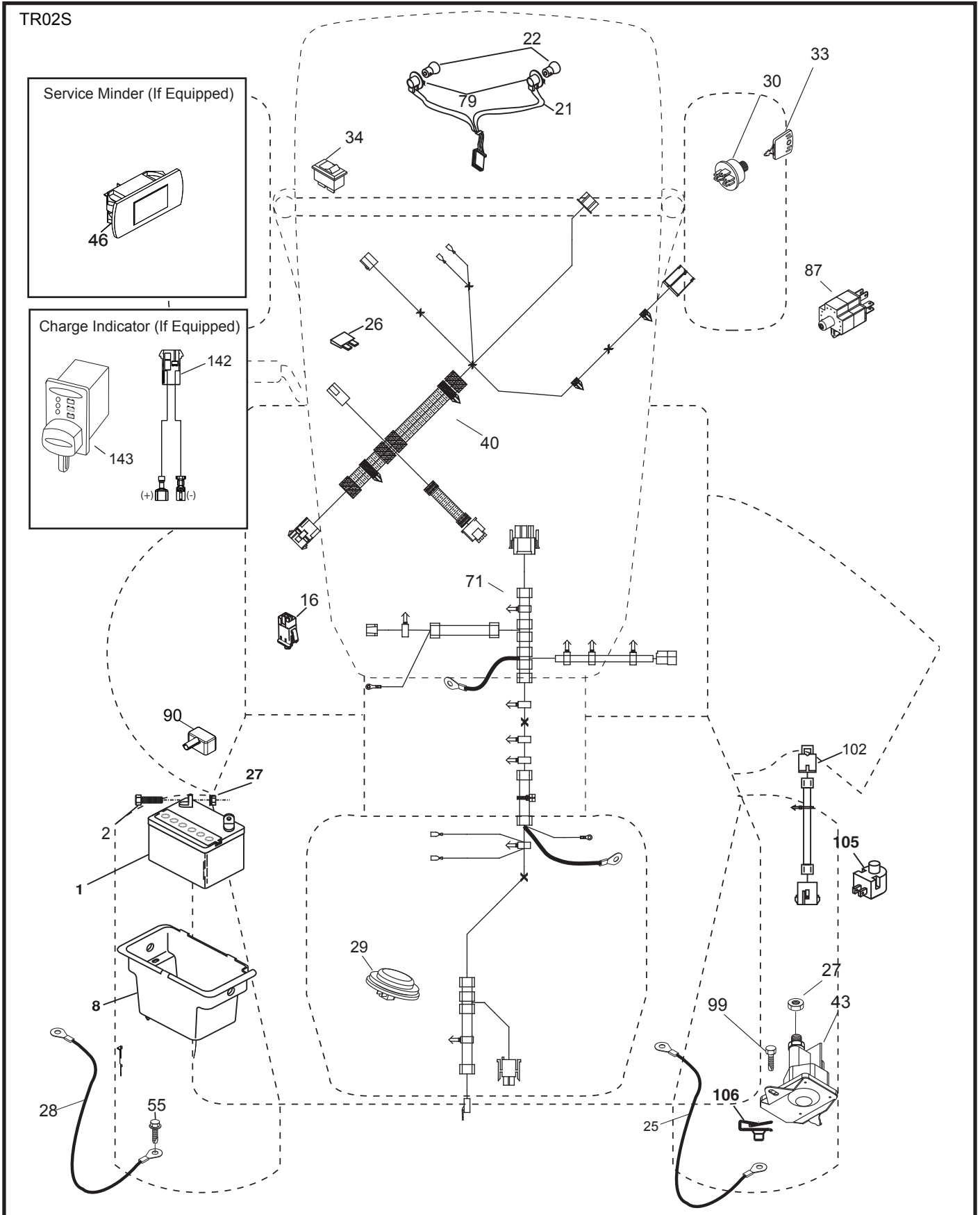
| POSITION | CIRCUIT | "MAKE" |
|--------------|------------|--------|
| OFF | M+G+A1 | |
| RUN/OVERRIDE | B+A1 | |
| RUN | B+A1 | L+A2 |
| START | B + S + A1 | |



WIRING INSULATED CLIPS
NOTE: IF WIRING INSULATED CLIPS WERE REMOVED FOR SERVICING OF UNIT, THEY SHOULD BE RE-INSTALLED TO PROPERLY SECURE YOUR WIRING.



TRACTOR - - MODEL NO. M165-97T (96041040700), PRODUCT NO. 960 41 04-07
ELECTRICAL 32

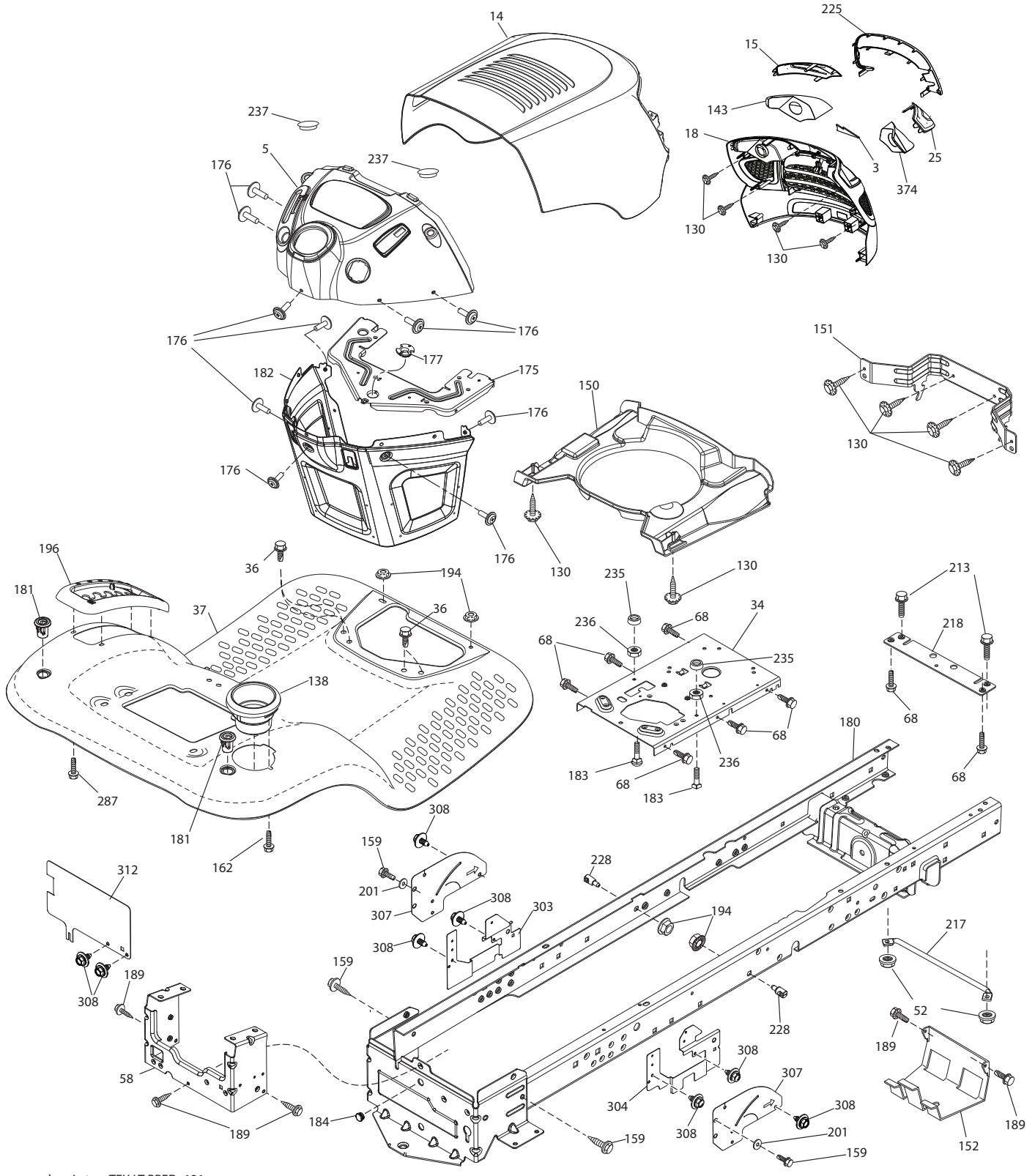


**TRACTOR - - MODEL NO. M165-97T (96041040700), PRODUCT NO. 960 41 04-07
ELECTRICAL 32**

| KEY NO. | PART NO. | DESCRIPTION |
|------------|--------------|---------------------------------|
| 1 | 532 16 34-65 | Battery |
| 2 | 874 76 04-12 | Bolt Hex Head 1/4-20 x 3/4 |
| 8 | 532 19 32-28 | Box Battery |
| 16 | 532 17 61-38 | Switch Interlock Push-In |
| 21 | 532 40 02-52 | Harness Socket Light w/4152J |
| 22 | 532 00 41-52 | Bulb Light |
| 25 | 581 49 80-01 | Cable Starter |
| 26 | 532 17 51-58 | Fuse |
| 27 | 873 51 04-00 | Nut Keps Hex 1/4-20 unc |
| 28 | 532 42 16-86 | Cable,Ground |
| 29 | 532 40 15-45 | Switch, Seat |
| 30 | 532 19 33-50 | Switch, Ign |
| 33 | 532 41 19-35 | Key/Chain |
| 34 | 532 11 07-12 | Switch Light/Reset |
| 40 | 581 02 31-01 | Harness Ign. Dash |
| 43 | 582 04 28-01 | Solenoid |
| 55 | 817 06 05-12 | Screw Thdrol 5/16-18 x 3/4 TYTT |
| 71 | 501 13 37-01 | Harness Ign. Chassis |
| 79 | 532 17 52-42 | Socket Asm |
| 87 | 532 19 78-02 | Switch Interlock Clutch Cbl |
| 90 | 532 43 53-95 | Cover Terminal |
| 99 | 817 67 04-12 | Screw 1/4-20 x 3/4 |
| 102 | 581 02 34-01 | Harness Pigtail VATR |
| 105 | 532 40 75-68 | Switch Reverse |
| 106 | 532 17 48-14 | Palnut 1/4 Lugs |

NOTE: All component dimensions given in U.S. inches
1 inch = 25.4 mm

TRACTOR - - MODEL NO. M165-97T (96041040700), PRODUCT NO. 960 41 04-07
CHASSIS AND ENCLOSURES 39



chassis-tex_TEX LT PRED_131

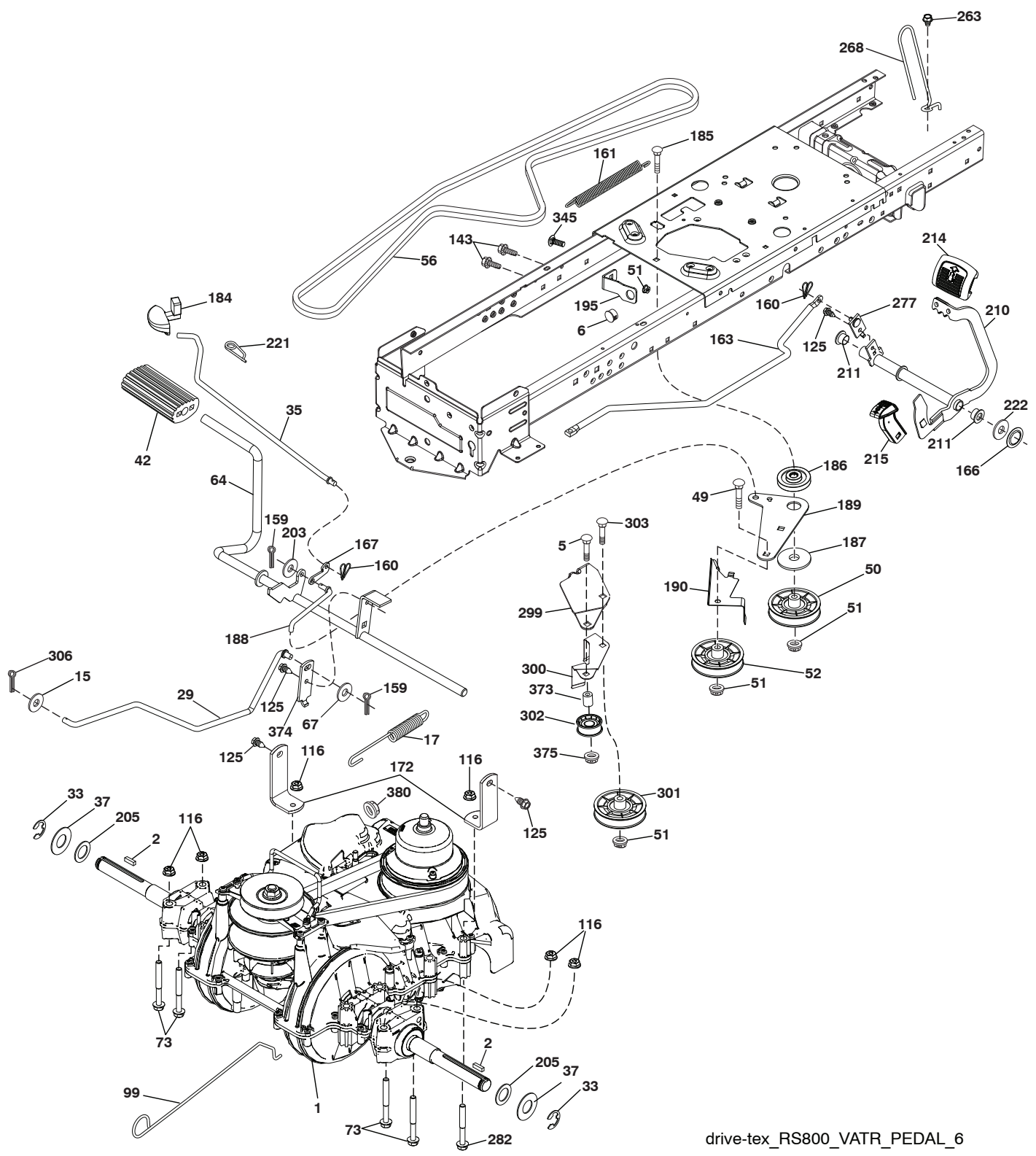
**TRACTOR - - MODEL NO. M165-97T (96041040700), PRODUCT NO. 960 41 04-07
CHASSIS AND ENCLOSURES 39**

| KEY NO. | PART NO. | DESCRIPTION |
|---------|--------------|----------------------------|
| 3 | 578 89 71-01 | Emblem |
| 5 | 532 42 57-72 | Dash |
| 14 | 532 40 95-98 | Hood |
| 15 | 581 05 58-01 | Lens LH |
| 18 | 581 05 57-01 | Grille |
| 25 | 581 05 59-01 | Lens RH |
| 34 | 580 91 08-01 | Plate Engine |
| 36 | 817 06 05-12 | Screw 5/16-18 x 3/4 |
| 37 | 532 42 07-96 | Fender |
| 52 | 873 68 05-00 | Nut Crown Lock 5/16 |
| 58 | 532 41 22-80 | Drawbar |
| 68 | 539 99 08-58 | Screw THDROL 5/16-18 x 1/2 |
| 130 | 532 41 63-58 | Screw |
| 138 | 532 40 97-30 | Cupholder |
| 143 | 581 05 60-01 | Insert Reflection LH |
| 150 | 532 40 83-10 | Air Duct |
| 151 | 532 18 75-68 | Bracket Pivot |
| 152 | 532 19 95-35 | Shield Browning |
| 159 | 817 00 06-12 | Screw 3/8-16 x 3/4 |
| 162 | 532 14 24-32 | Screw 1/4 x 1/2 |
| 175 | 532 19 94-72 | Crossmember |
| 176 | 532 40 07-76 | Screw 10-24 x 5/8 |
| 177 | 532 19 52-28 | Bushing Steering |
| 180 | 532 41 50-63 | Chassis |
| 181 | 532 40 47-96 | Bushing Mtg. Fender Crgo |

| KEY NO. | PART NO. | DESCRIPTION |
|---------|--------------|-------------------------------|
| 182 | 532 40 71-76 | Dash Lower |
| 183 | 874 52 05-20 | Bolt 5/16-18 x 1-1/4 |
| 184 | 587 55 41-01 | Plug |
| 189 | 817 00 05-12 | Screw 5/16-18 x 3/4 |
| 194 | 873 90 05-00 | Nut Lock Hex Flange 5/16-18 |
| 196 | 532 41 45-81 | Console Asm. Deck Lift |
| 201 | 819 13 20-16 | Washer 13/32 x 1-1/4 x 16 Ga. |
| 213 | 539 97 69-34 | HCS 5/16-18 x 3/4 Gr. 5 |
| 217 | 532 40 91-67 | Rod Pivot Hood |
| 218 | 532 19 63-95 | X-Piece Hood Stop |
| 225 | 581 05 62-01 | Trim Ring |
| 228 | 532 19 51-61 | Stud Fastener |
| 235 | 532 40 61-29 | Spacer Fender |
| 236 | 873 93 05-00 | Nut Lock 5/16-18 unc |
| 237 | 532 40 37-04 | Plug Mount Cargo |
| 287 | 817 60 04-06 | Screw Hex |
| 303 | 589 00 81-02 | Shield Chassis French LH |
| 304 | 589 00 90-02 | Shield Chassis French RH |
| 307 | 587 49 46-01 | Shield Upper |
| 308 | 532 17 18-77 | Bolt 5/16-18 unc x 3/4 |
| 312 | 589 00 67-02 | Shield Drawbar |
| 374 | 581 05 60-02 | Insert Reflection RH |

NOTE: All component dimensions given in U.S. inches
1 inch = 25.4 mm

TRACTOR - - MODEL NO. M165-97T (96041040700), PRODUCT NO. 960 41 04-07
DRIVE **40**

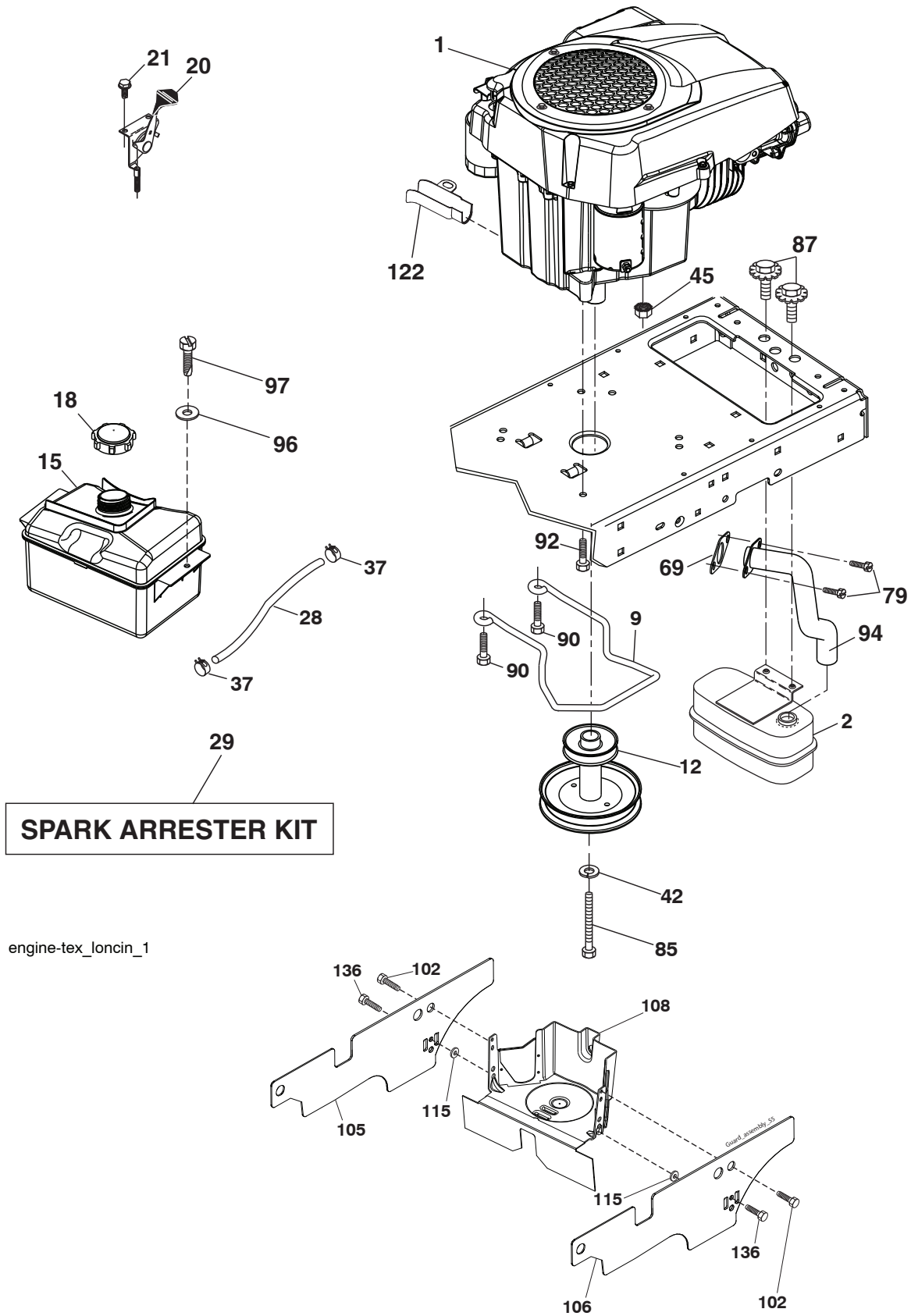


drive-tex_RS800_VATR_PEDAL_6

**TRACTOR - - MODEL NO. M165-97T (96041040700), PRODUCT NO. 960 41 04-07
DRIVE **40****

| KEY NO. | PART NO. | DESCRIPTION | KEY NO. | PART NO. | DESCRIPTION |
|----------------|-----------------|---|----------------|-----------------|--------------------------------|
| 1 | --- | Transaxle, Variator SD Pedal (590277501) (Order parts from transaxle manufacturer.) | 185 | 872 11 06-22 | Bolt 3/8-16 unc x 2-3/4 |
| 2 | 532 12 35-83 | Key Square | 186 | 532 19 43-21 | Spacer Retainer |
| 5 | 874 76 06-36 | Bolt Hex HS 3/8-16 unc x 2-1/4 | 187 | 819 13 32-10 | Washer 13/32 x 2 x 10 ga |
| 6 | 532 12 40-28 | Bushing Snap | 188 | 582 21 70-01 | Link Clutch Ground Drive, Long |
| 15 | 819 13 13-16 | Washer 13/32 x 13/16 x 16 Ga. | 189 | 532 19 43-17 | Bellcrank Ground Drive |
| 17 | 501 48 71-01 | Spring, Brake | 190 | 532 19 43-18 | Keeper. Bellcrank |
| 29 | 584 82 31-02 | Rod, Brake | 195 | 581 50 46-01 | Bracket Brake |
| 33 | 812 00 00-01 | Ring E | 203 | 819 11 11-16 | Washer 11/32 x 11/16 x 16 |
| 35 | 532 40 10-31 | Rod, Brake, Park | 205 | 532 12 17-48 | Washer 25/32 x 1-5/8 16 Ga. |
| 37 | 532 18 89-67 | Washer .793 x 1.637 x 060 | 210 | 588 92 10-01 | Weldment Pedal Variator |
| 42 | 532 00 88-83 | Cover, Foot Pedal | 214 | 532 42 12-63 | Pedal Forward |
| 49 | 872 11 06-14 | Bolt 3/8-16 unc | 215 | 532 44 82-54 | Pad Pedal Reverse |
| 50 | 532 19 43-27 | Idler Flat | 211 | 532 12 01-83 | Bearing Nylon |
| 51 | 873 90 06-00 | Nut Lock | 221 | 532 40 31-87 | Retainer Spring |
| 52 | 532 19 43-26 | Idler V-Groove | 222 | 879 21 20-10 | Washer Flat |
| 56 | 581 60 38-01 | V-Belt, Drive | 263 | 817 00 06-12 | Screw |
| 64 | 589 67 14-01 | Subasm. Shaft Pedal Brake | 268 | 532 18 24-02 | Guard. Muffler |
| 67 | 582 58 01-01 | Washer Nylon 13/32 x 13/16 x .109 | 277 | 532 44 85-00 | Subasm. Link Rocker Pedal |
| 73 | 874 49 05-44 | Bolt Hex 5/16-18 x 3.75 | 282 | 874 49 05-48 | Bolt Hex 5/16-18x |
| 99 | 532 43 59-35 | Rod Bypass | 299 | 532 41 56-83 | Bracket Mount |
| 116 | 873 90 05-00 | Nut Lock Hex Flange 5/16-18 | 300 | 532 41 56-81 | Keeper Idler |
| 125 | 817 00 05-12 | Screw 5/16-18 x 3/4 | 301 | 532 41 56-80 | Pulley Idler Groove |
| 143 | 539 99 08-58 | Screw Thdrol 5/16-18 x 1/2 TYTT | 302 | 581 42 05-01 | Puller Idler Flat |
| 159 | 876 02 04-12 | Pin Cotter 1/8 x 3/4 | 303 | 872 11 06-18 | Bolt |
| 160 | 532 16 94-84 | Retainer Clip | 306 | 876 02 04-16 | Pin Cotter |
| 161 | 532 10 57-09 | Spring, Return, Clutch | 345 | 872 11 06-06 | Bolt RDHD |
| 163 | 587 84 79-02 | Rod Control | 373 | 581 46 18-01 | Spacer Idler |
| 166 | 532 42 91-64 | Nut Push .625 | 374 | 581 47 52-01 | Arm Control Brake |
| 167 | 532 40 52-57 | Latch Brake Parking | 375 | 873 68 06-00 | Nut Crownlock 3/8-16 unc |
| 172 | 583 97 42-02 | Strap Torque Variator | 380 | 582 47 86-01 | Nut Flg Nylock 1/4-20 Gr G ZY |
| 184 | 532 41 14-84 | Handle Park Brk. | | | |

NOTE: All component dimensions given in U.S. inches.
1 inch = 25.4 mm

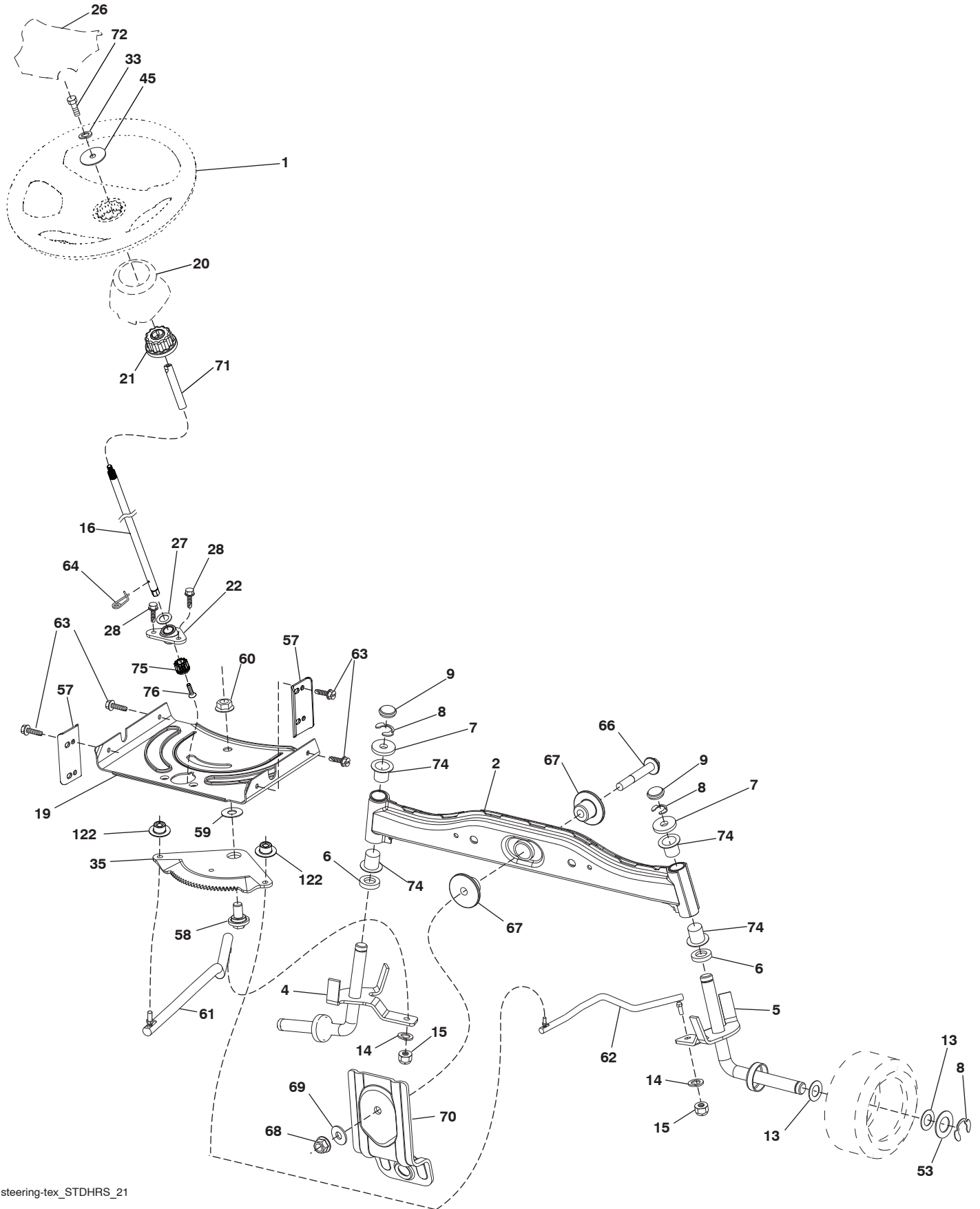


**TRACTOR - - MODEL NO. M165-97T (96041040700), PRODUCT NO. 960 41 04-07
ENGINE 24**

| KEY NO. | PART NO. | DESCRIPTION |
|----------------|-----------------|---|
| 1 | -- -- -- -- | Engine McCulloch SVC Eng 452 (591071301) (Order parts from engine manufacturer.) |
| 2 | 532 18 86-55 | Muffler |
| 9 | 501 83 26-02 | Keeper Belt Engine |
| 12 | 586 47 85-01 | Pulley Engine |
| 15 | 581 28 99-01 | Tank Fuel 1.5 |
| 18 | 532 43 02-20 | Cap Asm |
| 20 | 532 18 38-97 | Control Throttle |
| 21 | 532 41 63-58 | Screw #10 x .750 BOS Thread |
| 28 | 532 13 70-40 | Fuel Line |
| 29 | 532 13 71-80 | Spark Arrester Kit |
| 37 | 532 12 34-87 | Clamp Hose |
| 42 | 539 99 02-47 | Washer SLW STD 7/16 |
| 45 | 593 35 64-01 | Nut Hex Flange M6 Serrated |
| 69 | 590 86 35-01 | Gasket |
| 79 | 532 18 39-06 | Screw Socket 5/16-18 x 1 |
| 85 | 501 60 65-01 | Bolt Hex 7/16-20 x 4 Gr. 5 |
| 87 | 532 17 18-77 | Bolt 5/16-18 unc x 3/4 w/SEMS |
| 90 | 817 00 06-16 | Screw 3/8-16 x 1 |
| 92 | 817 12 06-16 | Screw 3/8-16 x 1SMGL Tap/R |
| 94 | 590 86 47-01 | Tube Exhaust Loncin |
| 96 | 819 09 14-16 | Washer 9/32 x 7/8 x 16 Ga. |
| 97 | 817 67 04-12 | Screw Hexwsh Thdrol 1/4-20 x 3/4 |
| 102 | 817 00 05-12 | Screw 5/16-18 x 3/4 |
| 105 | 501 26 72-02 | Shield Side LH |
| 106 | 501 26 82-02 | Shield Side RH |
| 108 | 587 17 95-09 | Cover Eng. Pulley w/SHLD 38", 42" |
| 115 | 532 43 17-61 | Palnut #10 |
| 122 | 532 42 19-22 | Extension Drain Oil |
| 136 | 532 42 17-56 | Screw, #10 0.500, BOS |

NOTE: All component dimensions given in U.S. inches
1 inch = 25.4 mm

TRACTOR - - MODEL NO. M165-97T (96041040700), PRODUCT NO. 960 41 04-07
STEERING ASSEMBLY [41]



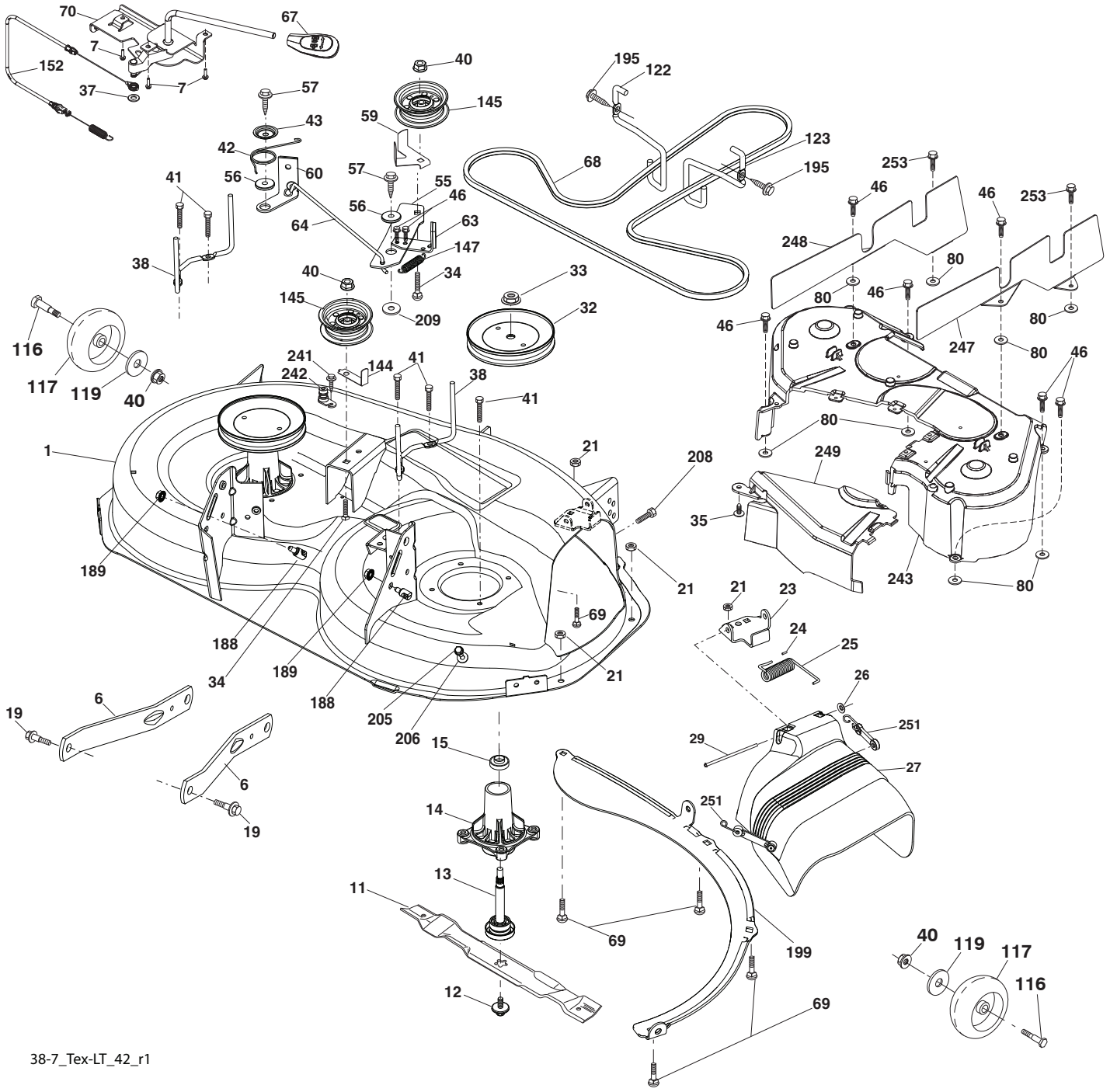
steering-tex_STDHRS_21

**TRACTOR - - MODEL NO. M165-97T (96041040700), PRODUCT NO. 960 41 04-07
STEERING ASSEMBLY 41**

| KEY NO. | PART NO. | DESCRIPTION |
|--------------------|---------------------|-------------------------------------|
| 1 | 532 42 45-43 | Wheel, Steering |
| 2 | 532 41 81-68 | Axle Asm., Front |
| 4 | 532 40 30-87 | Spindle Asm., LH |
| 5 | 532 40 30-88 | Spindle Asm., RH |
| 6 | 532 00 62-66 | Washer, Thrust .75 x 1.230 |
| 7 | 532 12 17-48 | Washer 25/32 x 1-5/8 x 16 Ga. |
| 8 | 812 00 00-29 | Ring, Klip #T5304-75 |
| 9 | 532 12 12-32 | Cap, Spindle |
| 13 | 532 12 17-49 | Washer, 25/32 x 1-1/4 x 16 Ga. |
| 14 | 539 99 01-18 | Washer, SLW ZD 3/8 |
| 15 | 873 54 06-00 | Nut, Crown Lock 3/8-24 unf |
| 16 | 585 86 92-02 | Steering Shaft |
| 19 | 532 19 47-29 | Plate Steering |
| 20 | 532 40 97-63 | Boot, Steering |
| 21 | 532 18 67-37 | Adapter, Wheel Steering |
| 22 | 585 02 98-02 | Bearing |
| 26 | 532 42 46-91 | Insert, Wheel Steering |
| 27 | 819 21 16-16 | Washer 21 x 32 x 1 x 16 Ga. |
| 28 | 817 00 06-12 | Screw 3/8-16 x 3/4 |
| 33 | 539 99 01-87 | Washer Lock 5/16 |
| 35 | 532 19 47-32 | Gear, Sector Plate |
| 45 | 819 11 38-12 | Washer 11/32 x 3/8 x 12 Ga. |
| 53 | 532 18 89-67 | Washer Hardened .793 x 1.637 x .060 |
| 57 | 532 40 74-65 | Bracket Upstop |
| 58 | 532 19 47-47 | Bolt Shoulder Sector Pivot CFM |
| 59 | 532 19 47-48 | Washer Thrust Sector Steering |
| 60 | 873 97 10-00 | Nut Flange Lock 5/8-11 |
| 61 | 532 19 47-40 | Draglink, LH |
| 62 | 532 19 47-41 | Draglink, RH |
| 63 | 817 00 05-12 | Screw 5/16-18 x 3/4 |
| 64 | 532 19 98-49 | Retainer Clip Spring Steering |
| 66 | 871 02 07-48 | Bolt Hex Fghd 7/16-14 x 3 Serr |
| 67 | 532 19 47-37 | Bushing PM Front Axle |
| 68 | 873 90 07-00 | Nut Lock Flange 7/16-14 Gr. 5 |
| 69 | 532 19 91-62 | Washer 1.5 x .505 x .118 |
| 70 | 585 33 88-01 | Bracket Deck Susp. Front |
| 71 | 532 19 07-52 | Shaft Extension Steering |
| 72 | 532 42 89-82 | Bolt Fin Hex 5/16-18 x 3/4 w/Patch |
| 74 | 532 00 33-66 | Bearing |
| 75 | 580 68 37-01 | Pinion |
| 76 | 580 68 36-01 | Screw Head Sock |
| 122 | 532 44 49-62 | Cap Gear |

NOTE: All component dimensions given in U.S. inches
1 inch = 25.4 mm

TRACTOR - - MODEL NO. M165-97T (96041040700), PRODUCT NO. 960 41 04-07
MOWER DECK **44**



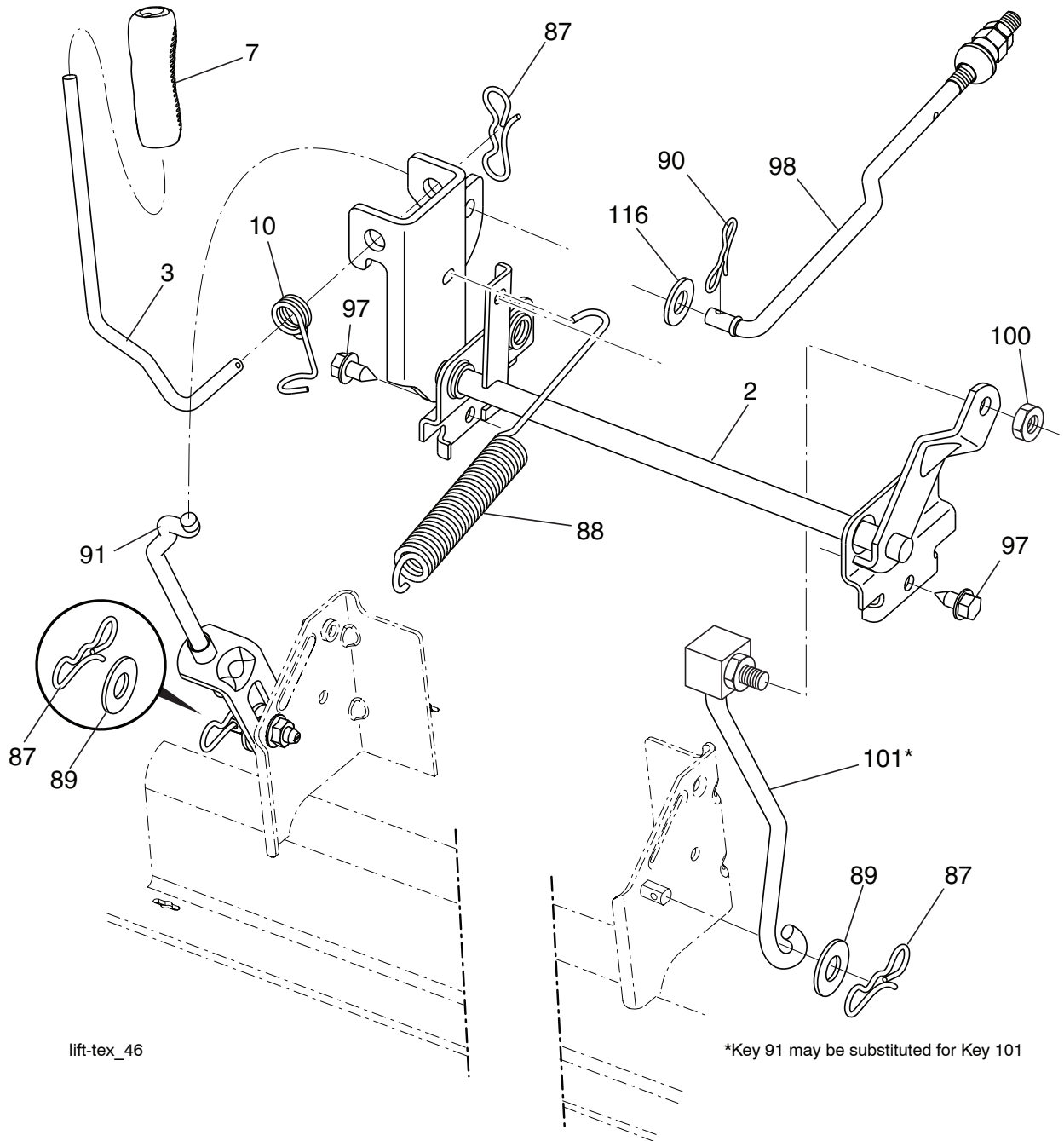
38-7_Tex-LT_42_r1

**TRACTOR - - MODEL NO. M165-97T (96041040700), PRODUCT NO. 960 41 04-07
MOWER DECK 44**

| KEY NO. | PART NO. | DESCRIPTION | KEY NO. | PART NO. | DESCRIPTION |
|---------|--------------|-------------------------------------|---------|--------------|--|
| 1 | 532 42 60-75 | Kit, SVC, Weldment | 69 | 872 14 05-05 | Bolt |
| 6 | 532 19 51-86 | Arm Suspension | 70 | 532 40 12-46 | Clutch Asm. Manual |
| 7 | 532 41 63-58 | Screw #10 x 0.750 BOS Thread | 80 | 532 42 30-62 | Palnut 1/4 |
| 11 | 581 11 63-01 | Blade 38" 2N1 Premium | 116 | 532 00 48-98 | Bolt |
| 12 | 584 30 93-01 | Screw 7/16-20 x 1 Hx | 117 | 589 52 74-01 | Wheel Gauge Rally |
| 13 | 587 25 65-01 | Shaft Assembly, Mandrel | 119 | 819 12 14-14 | Washer P15-1058E |
| 14 | 532 18 72-81 | Housing, Mandrel | 122 | 532 19 72-58 | Keeper Belt Engine LH |
| 15 | 585 32 39-01 | Bearing, Mandrel | 123 | 532 19 72-59 | Keeper Belt Engine RH |
| 19 | 532 19 65-39 | Bolt, Shoulder | 144 | 532 19 34-14 | Keeper Belt |
| 21 | 873 68 05-00 | Nut, Crownlock 5/16-18 unc | 145 | 532 19 31-97 | Pulley Idler |
| 23 | 532 19 25-57 | Bracket, Deflector | 147 | 532 40 18-72 | Spring Return |
| 24 | 532 10 53-04 | Cap, Sleeve | 152 | 532 43 51-11 | Manual Clutch Cable |
| 25 | 532 19 70-26 | Spring, Torsion, Deflector | 188 | 532 19 51-61 | Stud Fastener |
| 26 | 532 11 04-52 | Nut, Push | 189 | 873 90 05-00 | Nut Lock Hex Flange |
| 27 | 532 40 16-18 | Shield, Deflector | 195 | 817 00 06-12 | Screw Hexwsh Thdr 3/8-16 x 3/4 |
| 29 | 532 13 14-91 | Rod, Hinge | 199 | 532 40 00-95 | Baffle Vortex |
| 32 | 532 19 97-89 | Pulley, Mandrel | 205 | 817 49 04-16 | Screw 1/4-20 x 1 |
| 33 | 532 40 02-34 | Nut, Toplock, Flanged | 206 | 819 09 14-16 | Washer 9/32 x 7/8 x 16 Ga. |
| 34 | 872 11 06-12 | Bolt Carr. Sh. 3/8-16 x 1-1/2 Gr. 5 | 208 | 817 67 06-08 | Screw THRD L |
| 35 | 532 13 38-35 | Fastener | 209 | 819 13 32-10 | Washer 13/32 x 2 x 10 |
| 37 | 819 13 13-16 | Washer | 241 | 532 15 29-27 | Screw TT #10-32.5 3/8 |
| 38 | 532 19 95-41 | Keeper Belt LH Mandrel | 242 | 532 41 55-98 | Port Washout |
| 40 | 873 90 06-00 | Nut, Lock Flg. 3/8-16 unc | 243 | 532 40 65-10 | Cover Deck 38 |
| 41 | 584 95 39-01 | Bolt Hex Wshr | 247 | 589 00 95-02 | Shield Deck LH |
| 42 | 532 19 84-10 | Spring Torsion Brake | 248 | 589 00 94-02 | Shield Deck RH |
| 43 | 532 19 72-56 | Spring Torsion Retainer | 249 | 532 40 65-14 | Cover Cable Clutch |
| 46 | 532 13 77-29 | Screw 1/4 - 20 x 5/8 | 251 | 532 43 60-87 | Kit Bungee |
| 55 | 532 19 72-49 | Arm, Idler | 253 | 532 42 73-50 | Rivet |
| 56 | 532 19 90-92 | Spacer, Retainer | -- | 587 25 33-01 | Mandrel Assembly (Includes housing (key# 14), shaft assembly (key# 13), and bearing (key# 15) only - pulley/nut/washer and blade bolt/washers not included.) |
| 57 | 817 00 06-16 | Screw 3/8-16 x 1 | -- | 532 43 37-41 | Replacement Mower, Complete |
| 59 | 532 14 10-43 | Guard, Tuv. Idler | | | |
| 60 | 532 19 94-71 | Arm Brake Mower | | | |
| 63 | 532 19 94-70 | Arm Brake Mower | | | |
| 64 | 532 19 97-90 | Link Brake | | | |
| 67 | 532 40 30-12 | Handle Clutch Cable | | | |
| 68 | 532 40 83-81 | V-Belt | | | |

NOTE: All component dimensions given in U.S. inches
1 inch = 25.4 mm

TRACTOR - - MODEL NO. M165-97T (96041040700), PRODUCT NO. 960 41 04-07
MOWER LIFT 45



lift-tex_46

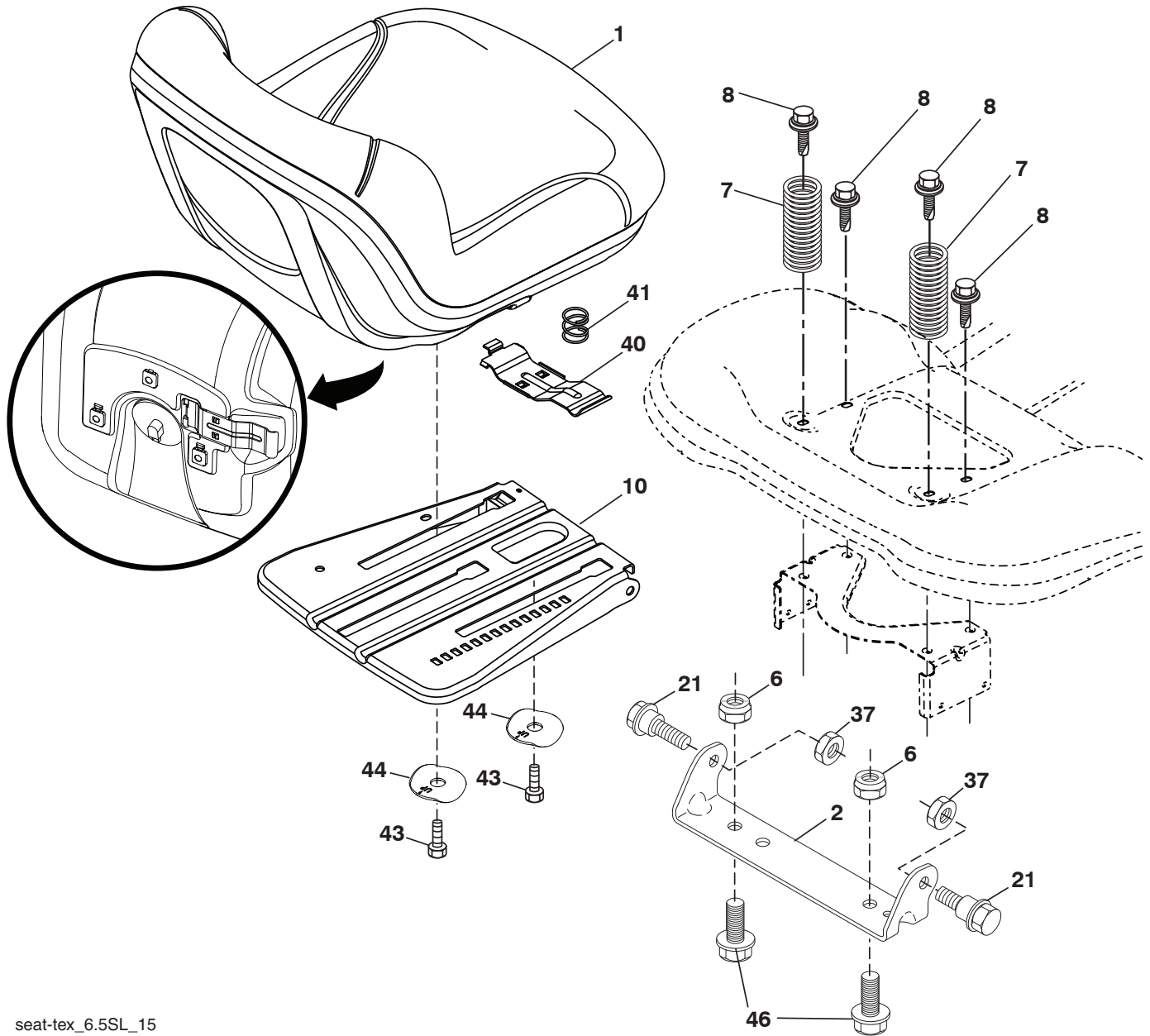
*Key 91 may be substituted for Key 101

| KEY NO. | PART NO. | DESCRIPTION |
|---------|--------------|------------------------------|
| 2 | 532 42 20-27 | Shaft Asm., Lift |
| 3 | 532 19 52-31 | Lever Asm., Lift RH |
| 7 | 580 96 23-01 | Grip, Lever |
| 10 | 532 19 63-14 | Spring Torsion |
| 87 | 532 19 42-09 | Pin Cotter 7/16 Bow Tie Lock |
| 88 | 532 41-07-10 | Spring Lift Assist |
| 89 | 819 19 19-12 | Washer Clear Zinc |
| 90 | 532 19 42-08 | Pin Cotter 5/16 Bow Tie Lock |

| KEY NO. | PART NO. | DESCRIPTION |
|---------|--------------|-----------------------------|
| 91 | 532 19 51-81 | Link Lift Susp Mower Rear |
| 97 | 817 00 06-12 | Screw 3/8-16 x .75 |
| 98 | 532 19 52-70 | Link Lift Susp. Front Mower |
| 100 | 873 93 06-00 | Nut Centerlock 3/8-16 |
| 101 | 532 40-70-03 | Link Asm. Lift FXD |
| 116 | 594 97 65-01 | Washer 15/32 x 15/16 x .065 |

NOTE: All component dimensions given in U.S. inches
 1 inch = 25.4 mm

**TRACTOR - - MODEL NO. M165-97T (96041040700), PRODUCT NO. 960 41 04-07
SEAT ASSEMBLY 42**



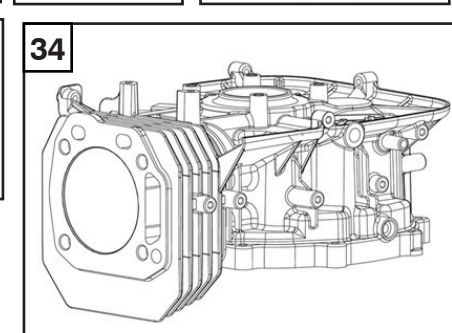
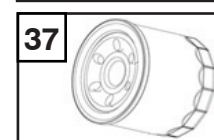
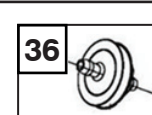
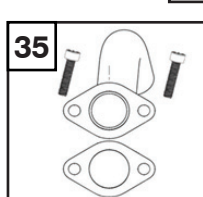
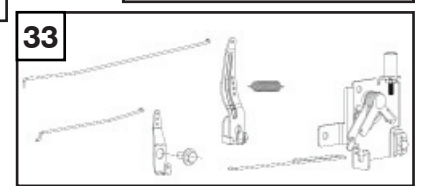
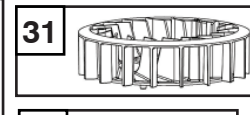
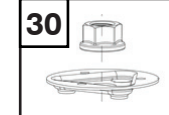
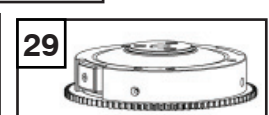
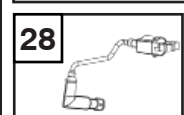
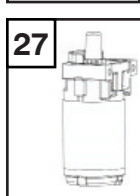
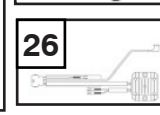
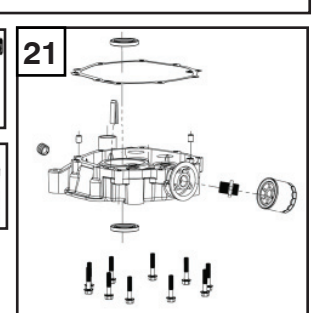
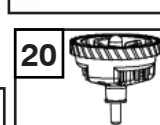
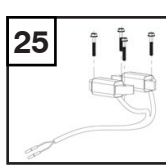
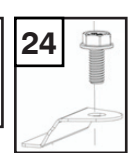
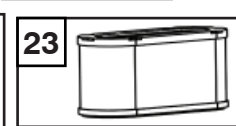
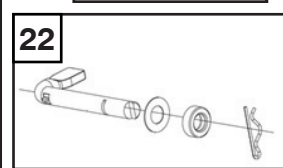
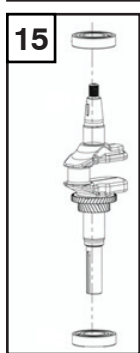
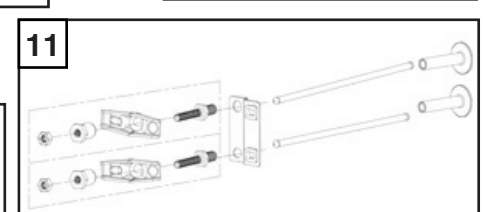
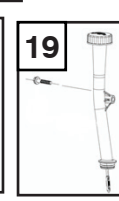
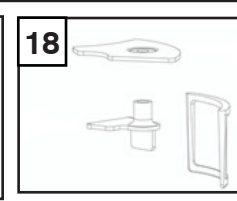
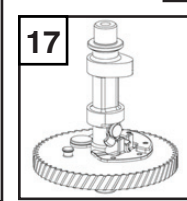
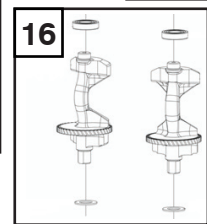
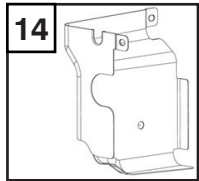
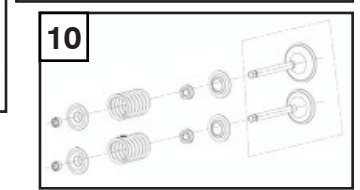
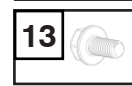
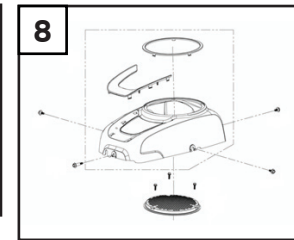
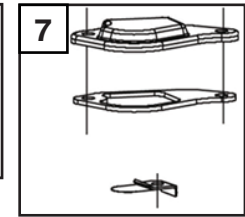
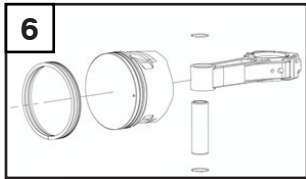
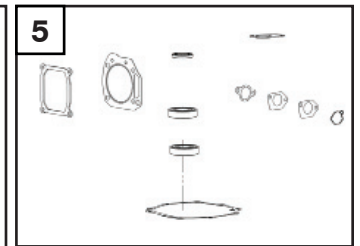
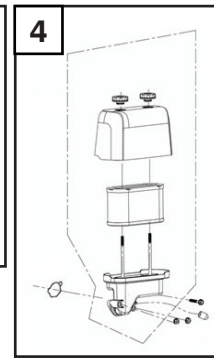
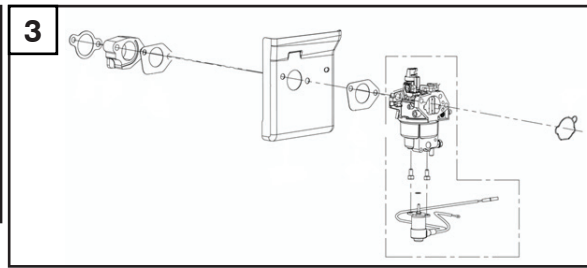
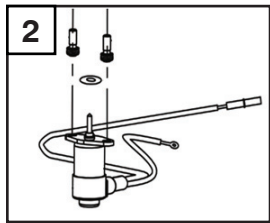
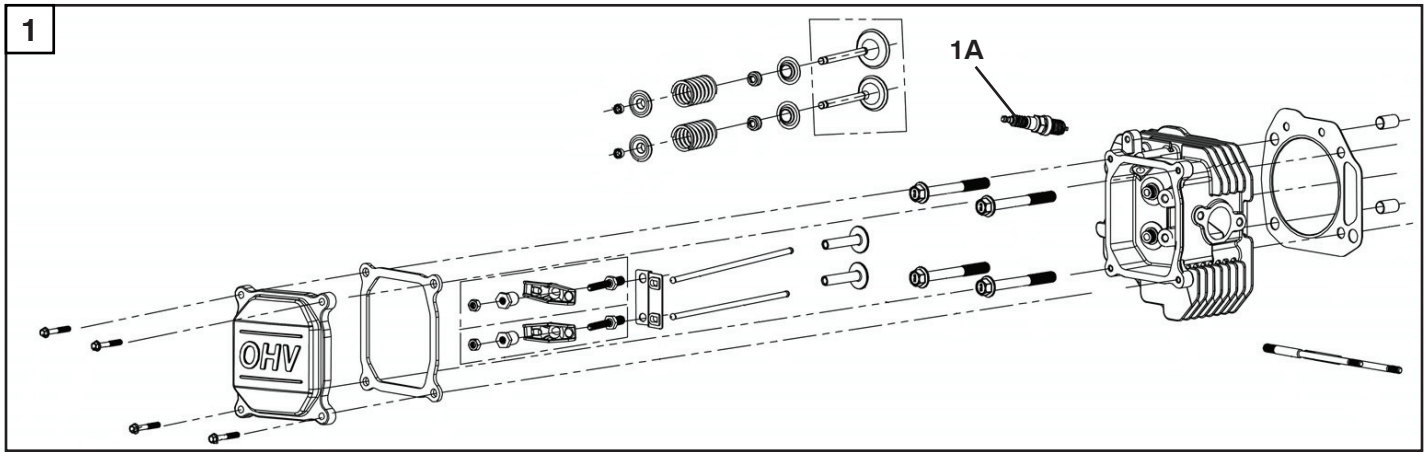
seat-tex_6.5SL_15

| KEY NO. | PART NO. | DESCRIPTION |
|---------|--------------|-------------------------------|
| 1 | 581 46 20-01 | Seat |
| 2 | 532 18 01-66 | Bracket Pivot Fender |
| 6 | 873 80 06-00 | Nut, Lock w/Ins. 3/8-16 unc |
| 7 | 589 48 35-01 | Spring, Seat Cprsn |
| 8 | 532 17 18-77 | Bolt 5/16-18 unc x 3/4 w/Sems |
| 10 | 596 65 74-02 | Plate, Seat |
| 21 | 587 90 78-01 | Bolt, Shoulder 5/16-18 x 5/8 |
| 37 | 873 80 05-00 | Nut, Lock 5/16-18 unc |

| KEY NO. | PART NO. | DESCRIPTION |
|---------|--------------|-------------------------------|
| 40 | 532 19 76-61 | Handle Slide |
| 41 | 532 19 82-00 | Spring Latch |
| 43 | 874 76 06-12 | Bolt Fin Hex 3/8-16 unc x 3/4 |
| 44 | 501 05 18-01 | Washer Winged 3/8 ID 1.5 OD |
| 46 | 588 09 04-01 | Bolt 3/8-16 x 1, 1.25 OD |

NOTE: All component dimensions given in U.S. inches
1 inch = 25.4 mm

TRACTOR - - MODEL NO. M165-97T (96041040700), PRODUCT NO. 960 41 04-07
MCCULLOCH ENGINE (452 CC)



**TRACTOR - - MODEL NO. M165-97T (96041040700), PRODUCT NO. 960 41 04-07
MCCULLOCH ENGINE (452 CC)**

| ITEM NO. | PART NO. | DESCRIPTION | QTY. |
|-----------------|-----------------|---|-------------|
| 1 | 590904901 | CYLINDER HEAD COMP KIT | 1 |
| 1A | 591165501 | SPARK PLUG | 1 |
| 2 | 590905101 | SOLENOID KIT | 1 |
| 3 | 590905201 | CARBURETOR KIT | 1 |
| 4 | 590905301 | AIR CLEANER KIT | 1 |
| 5 | 590905401 | GASKET AND SEAL KIT | 1 |
| 6 | 590905501 | PISTON AND RING SET, PISTON KIT | 1 |
| 7 | 590905601 | COVER COMP BREATHER AND STRAINER FUEL KIT | 1 |
| 8 | 590905701 | START COVER KIT | 1 |
| 10 | 590971701 | VALVE KIT | 1 |
| 11 | 590971801 | ROCKER ARM KIT | 1 |
| 13 | 590971901 | HEXAGON BOLT WITH FLANGE | 1 |
| 14 | 590972101 | AIR DEFLECTOR | 1 |
| 15 | 590972201 | CRANKSHAFT KIT | 1 |
| 16 | 590972301 | BALANCING SHAFT KIT | 1 |
| 17 | 590972401 | CAMSHAFT ASSY | 1 |
| 18 | 590972501 | OIL STRAINER KIT | 1 |
| 19 | 590972601 | FILL TUBE KIT | 1 |
| 20 | 590972701 | COMPONENTS OF GOVERNOR GEAR | 1 |
| 21 | 590972801 | CRANKCASE COVER KIT | 1 |
| 22 | 590972901 | SPEED REGULATING ARM KIT | 1 |
| 23 | 590973101 | AIR FILTER ELEMENT COMBINATION | 1 |
| 24 | 590973501 | PRESSING PLATE KIT | 1 |
| 25 | 590973601 | CHARGING ARMATURE KIT | 1 |
| 26 | 590973801 | VOLTAGE RECTIFIER | 1 |
| 27 | 590974301 | STARTER MOTOR KIT | 1 |
| 28 | 590975801 | COIL ASSY.,IGNNTION | 1 |
| 29 | 590978001 | FLYWHEEL COMP | 1 |
| 30 | 590992201 | STARTING DISC KIT | 1 |
| 31 | 590992301 | IMPELLER | 1 |
| 32 | 590965901 | BREATHER TUBE | 1 |
| 33 | 590992501 | THROTTLE LEVER KIT | 1 |
| 34 | 592951101 | CRANKCASE BODY KIT | 1 |
| 35 | 592952001 | EXHAUST PIPE KIT | 1 |
| 36 | 591165801 | FUEL FILTER | 1 |
| 37 | 591165901 | OIL FILTER | 1 |

