

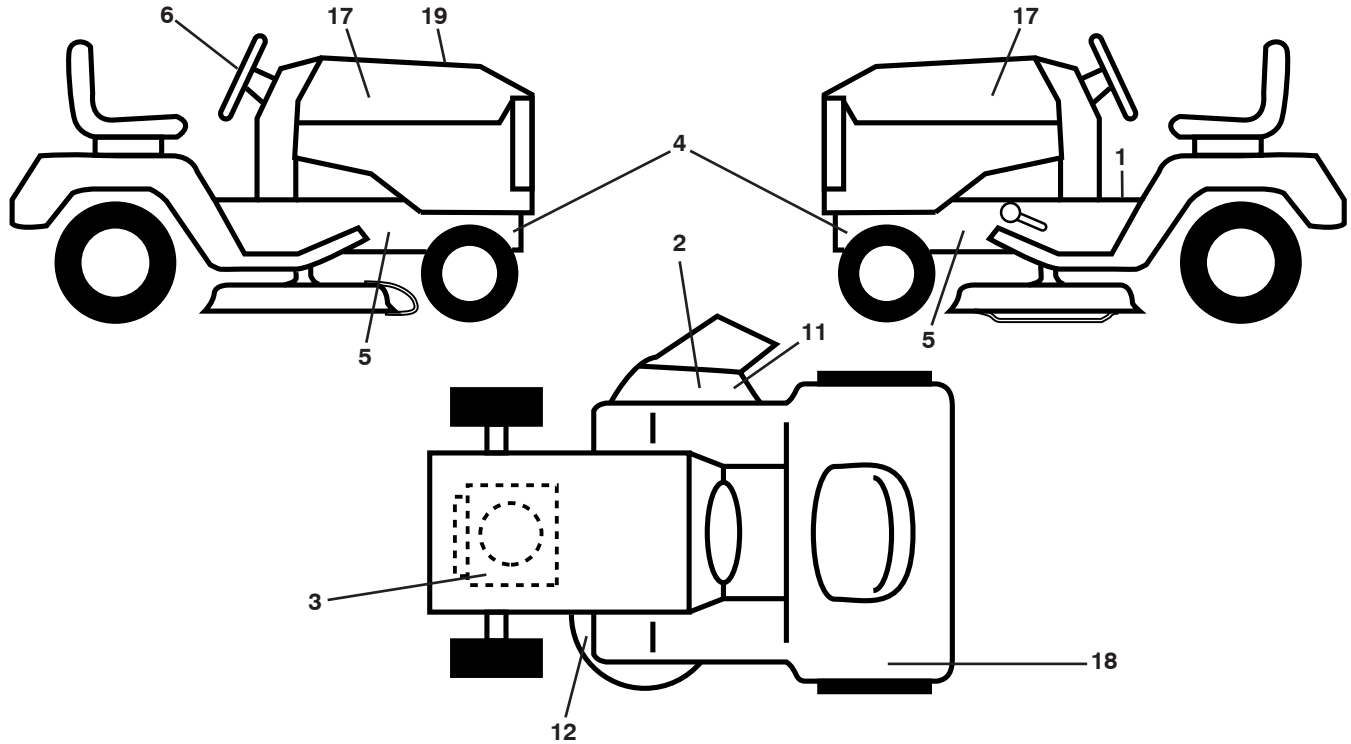
ILLUSTRATED PARTS LIST

MODEL NO. 96041040600

**CUSTOMER CATALOG NO. M110-97T CLASSIC
CLASSIC**

PRODUCT NO. 960 41 04-06

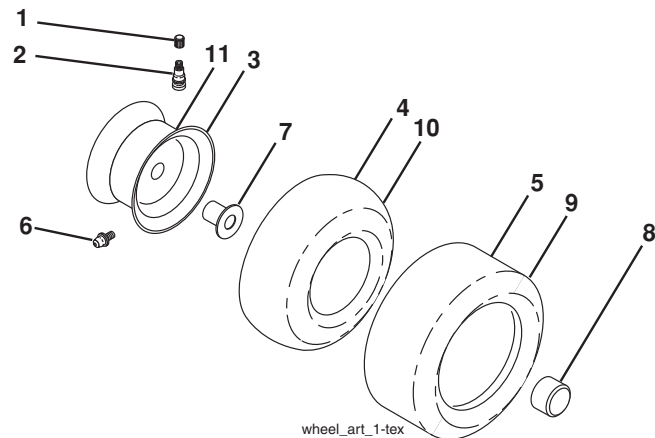
**TRACTOR - - MODEL NO. M110-97T CLASSIC (96041040600), PRODUCT NO. 960 41 04-06
DECALS 27**



KEY NO.	PART NO.	DESCRIPTION
1	581 57 83-01	Decal, Operators
2	584 90 46-01	Decal, Deflect. Warning
3	581 57 97-01	Decal, Engine Warning
4	581 57 98-01	Decal, Warning Ser./Fire
5	581 57 96-01	Decal, Chassis Hot Muffler
6	501 49 43-01	Decal, Steering Wheel
11	581 57 92-01	Decal, Warning
12	581 58 00-03	Decal, Deck Sch.
17	581 09 12-01	Decal, Hood

KEY NO.	PART NO.	DESCRIPTION
18	591 16 35-01	Decal, Fender
19	591 17 12-01	Decal, Replacement
--	581 72 46-01	Decal, Drawbar
--	532 41 12-73	Pad, Footrest RH
--	532 40 95-05	Pad, Footrest, LH
--	115 91 05-40	Manual Operator's (Euro)
--	115 91-06-50	Manual Operator's (Scan)
--	115 91-07-20	Manual Operator's (E-Bloc)
--	115 91-08-30	Manual Operator's (Baltic)

WHEELS AND TIRES



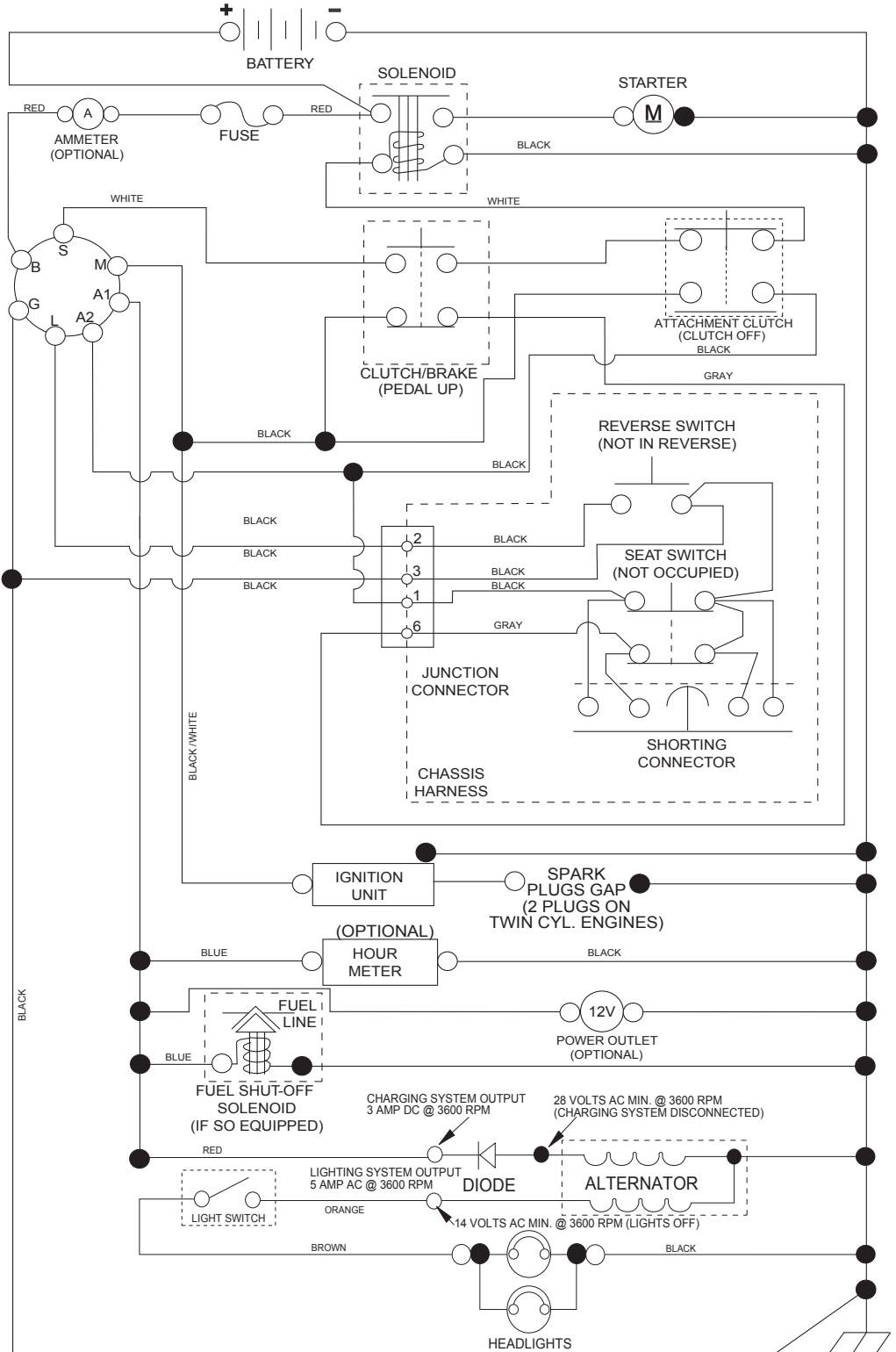
KEY NO.	PART NO.	DESCRIPTION
1	532 05 91-92	Cap Valve Tire
2	532 06 51-39	Stem Valve
3	532 12 51-21	Rim Asm 6" Front
4	532 05 99-04	Tube Front (Service Item Only)
5	532 10 62-22	Tire Front 15 x 6-6
6	532 00 02-78	Fitting Grease (Front Wheel Only)
7	532 00 90-40	Bearing Flange (Front Wheel Only)
8	532 19 32-68	Cap Axle 1 50 x 1 00
9	532 12 46-35	Tire Rear 18 x 8.5-8
10	532 00 71-52	Tube Rear (Service Item Only)
11	532 12 51-22	Rim Asm 8" Rear
--	532 14 43-34	Sealant, Tire (10 oz. Tube)

NOTE: All component dimensions given in U.S. inches
1 inch = 25.4 mm

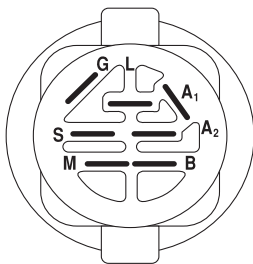
TRACTOR - - MODEL NO. M110-97T CLASSIC (96041040600), PRODUCT NO. 960 41 04-06

SCHEMATIC **38**

SCH11

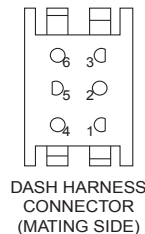
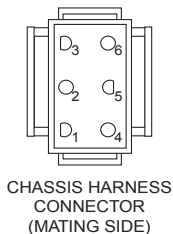


NOTE
YOUR TRACTOR IS EQUIPPED WITH A SPECIAL ALTERNATOR SYSTEM. THE LIGHTS ARE NOT CONNECTED TO THE BATTERY, BUT HAVE THEIR OWN ELECTRICAL SOURCE. BECAUSE OF THIS, THE BRIGHTNESS OF THE LIGHTS WILL CHANGE WITH ENGINE SPEED. AT IDLE THE LIGHTS WILL DIM. AS THE ENGINE IS SPEEDED UP, THE LIGHTS WILL BECOME THEIR BRIGHTEST.

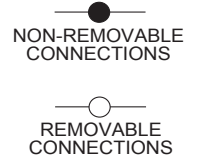


IGNITION SWITCH

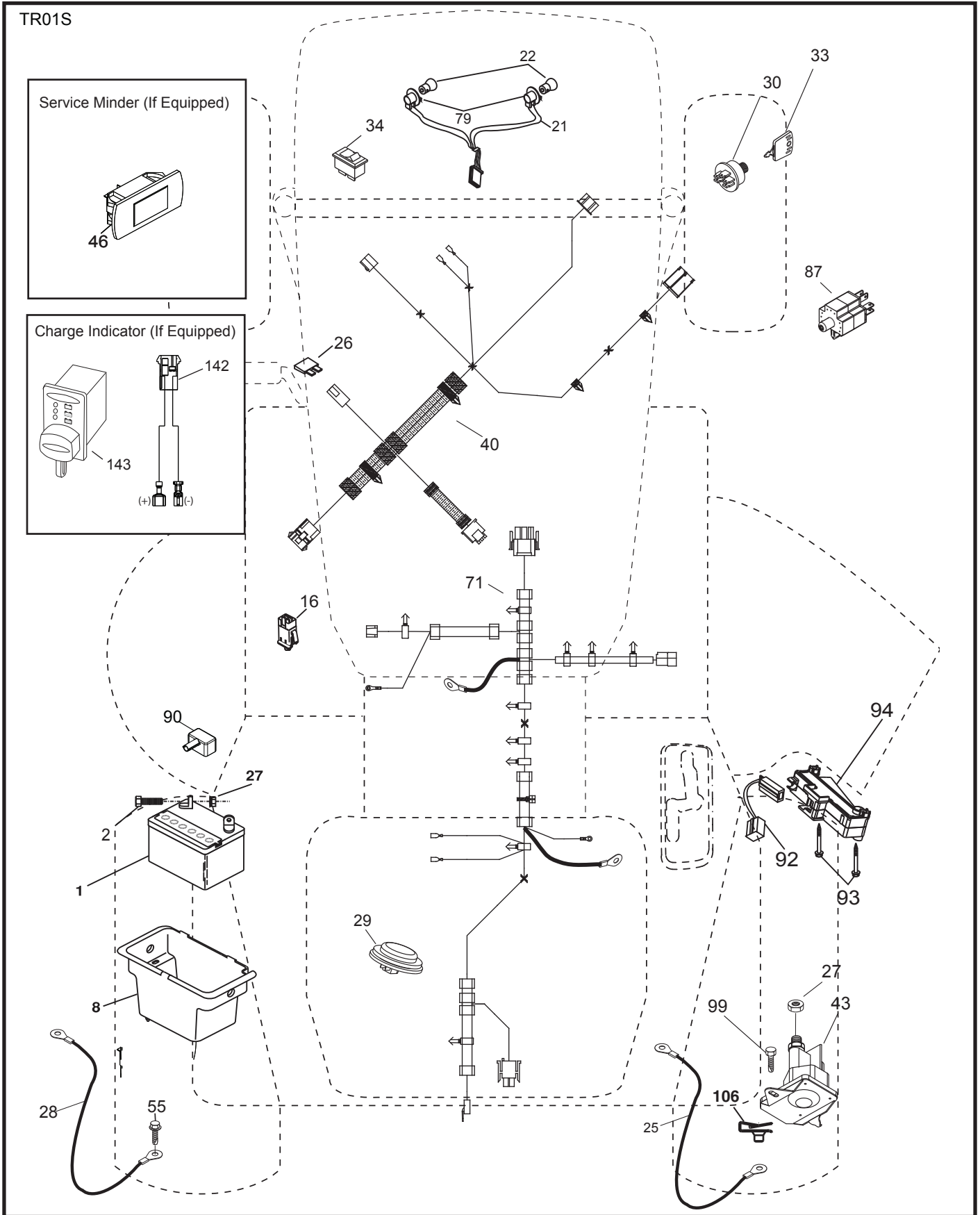
POSITION	CIRCUIT	"MAKE"
OFF	M+G+A1	
RUN/OVERRIDE	B+A1	
RUN	B+A1	L+A2
START	B + S + A1	



WIRING INSULATED CLIPS
NOTE: IF WIRING INSULATED CLIPS WERE REMOVED FOR SERVICING OF UNIT, THEY SHOULD BE RE-INSTALLED TO PROPERLY SECURE YOUR WIRING.



TRACTOR - - MODEL NO. M110-97T CLASSIC (96041040600), PRODUCT NO. 960 41 04-06
ELECTRICAL **32**

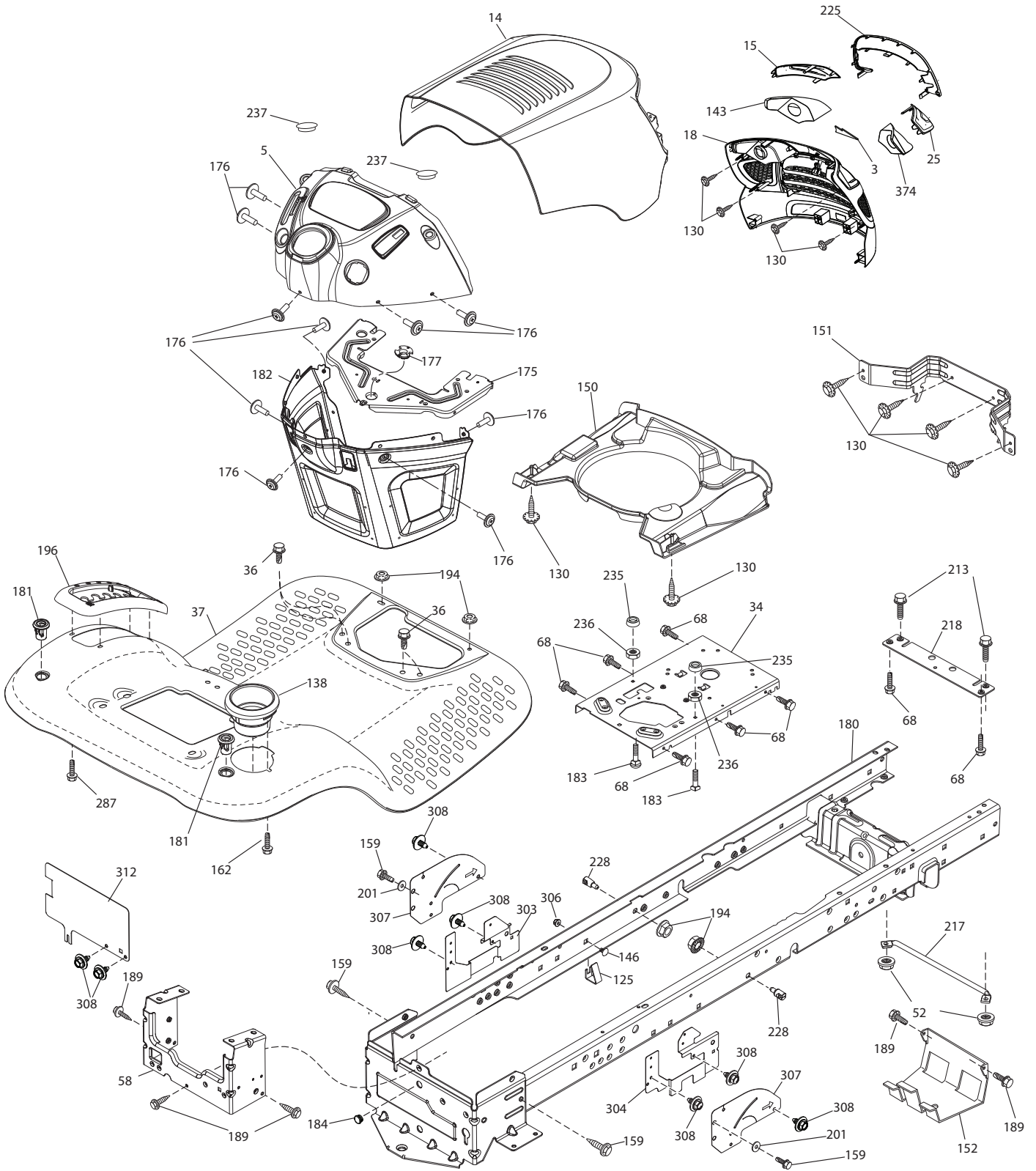


**TRACTOR - - MODEL NO. M110-97T CLASSIC (96041040600), PRODUCT NO. 960 41 04-06
ELECTRICAL 32**

KEY NO.	PART NO.	DESCRIPTION
1	532 16 34-65	Battery
2	874 76 04-12	Bolt Hex Head 1/4-20 x 3/4
8	532 19 32-28	Box Battery
16	532 17 61-38	Switch Interlock Push-In
21	532 40 02-52	Harness Socket Light w/4152J
22	532 00 41-52	Bulb Light
25	581 49 80-01	Cable Starter
26	532 17 51-58	Fuse
27	873 51 04-00	Nut Keps Hex 1/4-20 unc
28	532 42 16-86	Cable,Ground
29	532 40 15-45	Switch, Seat
30	532 19 33-50	Switch, Ign
33	532 41 19-35	Key/Chain
34	532 11 07-12	Switch Light/Reset
40	581 02 31-01	Harness Ign. Dash
43	582 04 28-01	Solenoid
55	817 06 05-12	Screw Thdrol 5/16-18 x 3/4 TYTT
71	501 13 37-01	Harness Ign. Chassis
79	532 17 52-42	Socket Asm
87	532 19 78-02	Switch Interlock Clutch Cbl
90	532 43 53-95	Cover Terminal
92	532 19 66-15	Harness Pigtail
93	532 19 25-40	Screw
94	532 19 18-34	Module reverse ROS
99	817 67 04-12	Screw 1/4-20 x 3/4
106	532 17 48-14	Palnut 1/4 Lugs

NOTE: All component dimensions given in U.S. inches
1 inch = 25.4 mm

TRACTOR - - MODEL NO. M110-97T CLASSIC (96041040600), PRODUCT NO. 960 41 04-06
CHASSIS AND ENCLOSURES **39**



chassis-tex_TEX LT PRED_130

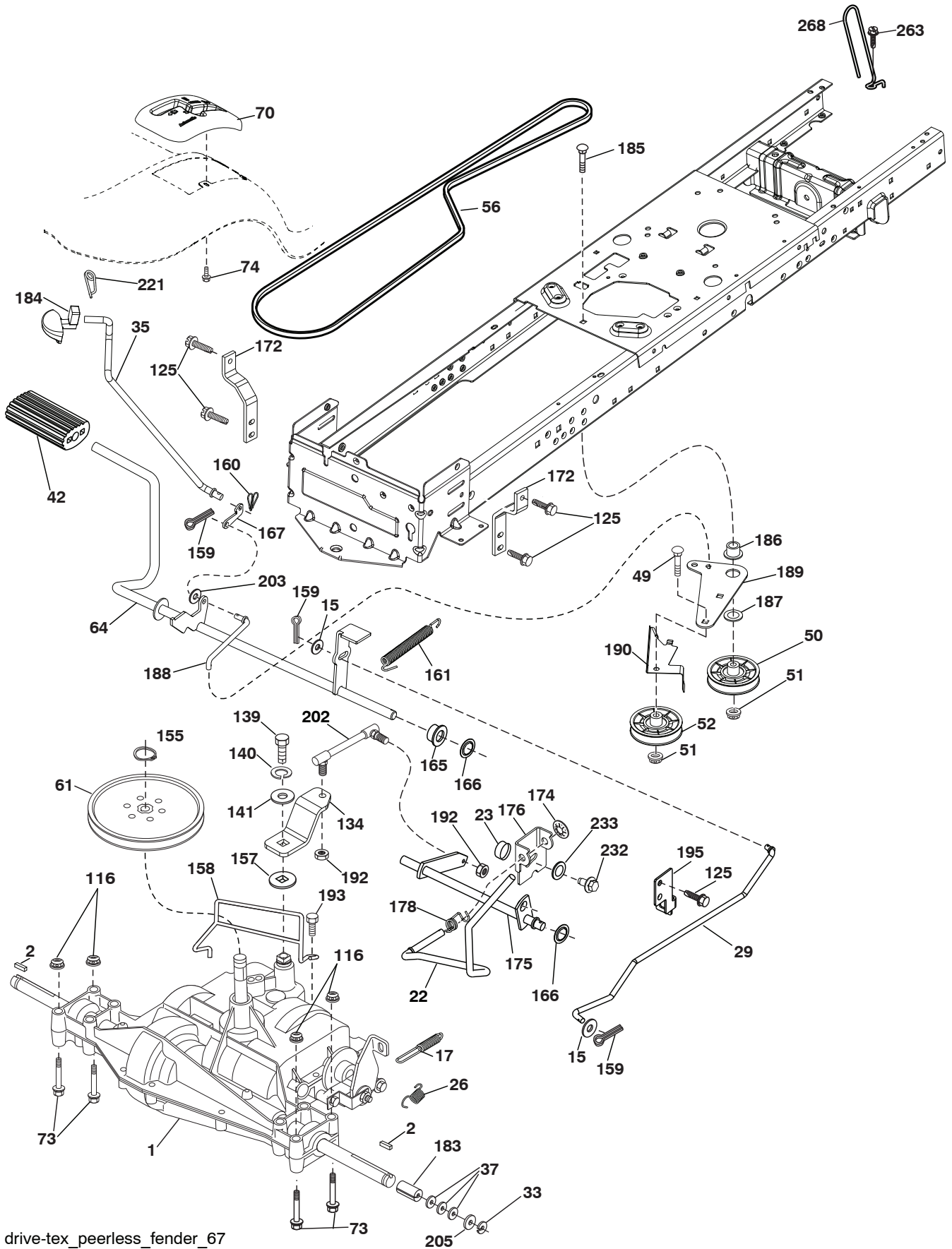
**TRACTOR - - MODEL NO. M110-97T CLASSIC (96041040600), PRODUCT NO. 960 41 04-06
CHASSIS AND ENCLOSURES 39**

KEY NO.	PART NO.	DESCRIPTION
3	578 89 71-01	Emblem
5	532 42 57-72	Dash
14	532 40 95-98	Hood
15	581 05 58-01	Lens LH
18	581 05 57-01	Grille
25	581 05 59-01	Lens RH
34	580 91 08-01	Plate Engine
36	817 06 05-12	Screw 5/16-18 x 3/4
37	532 42 09-86	Fender
52	873 68 05-00	Nut Crown Lock 5/16
58	532 41 22-80	Drawbar
68	539 99 08-58	Screw THDROL 5/16-18 x 1/2
125	581 68 48-01	Clip Fuel Line
130	532 41 63-58	Screw
138	532 40 97-30	Cupholder
143	581 05 60-01	Insert Reflection LH
146	581 85 79-01	Bolt
150	532 40 83-10	Air Duct
151	532 18 75-68	Bracket Pivot
152	532 19 95-35	Shield Browning
159	817 00 06-12	Screw 3/8-16 x 3/4
162	532 14 24-32	Screw 1/4 x 1/2
175	532 19 94-72	Crossmember
176	532 40 07-76	Screw 10-24 x 5/8
177	532 19 52-28	Bushing Steering
180	532 41 50-63	Chassis
181	532 40 47-96	Bushing Mtg. Fender Crgo
182	532 40 71-76	Dash Lower

KEY NO.	PART NO.	DESCRIPTION
183	874 52 05-20	Bolt 5/16-18 x 1-1/4
184	587 55 41-01	Plug
189	817 00 05-12	Screw 5/16-18 x 3/4
194	873 90 05-00	Nut Lock Hex Flange 5/16-18
196	532 41 45-81	Console Asm. Deck Lift
201	819 13 20-16	Washer 13/32 x 1-1/4 x 16 Ga.
213	539 97 69-34	HCS 5/16-18 x 3/4 Gr. 5 ZD
217	532 40 91-67	Rod Pivot Hood
218	532 19 63-95	X-Piece Hood Stop
225	581 05 62-01	Trim Ring
228	532 19 51-61	Stud Fastener
235	532 40 61-29	Spacer Fender
236	873 93 05-00	Nut Lock 5/16-18 unc
237	532 40 37-04	Plug Mount Cargo
287	817 60 04-06	Screw Hex
303	589 00 81-02	Shield Chassis French LH
304	589 00 90-02	Shield Chassis French RH
306	873 90 06-00	Nut Lock Flg. 3/8-16 unc
307	587 49 46-01	Shield Upper
308	532 17 18-77	Bolt 5/16-18 unc x 3/4
312	589 00 67-02	Shield Drawbar
374	581 05 60-02	Insert Reflection RH

NOTE: All component dimensions given in U.S. inches
1 inch = 25.4 mm

TRACTOR - - MODEL NO. M110-97T CLASSIC (96041040600), PRODUCT NO. 960 41 04-06
DRIVE **40**

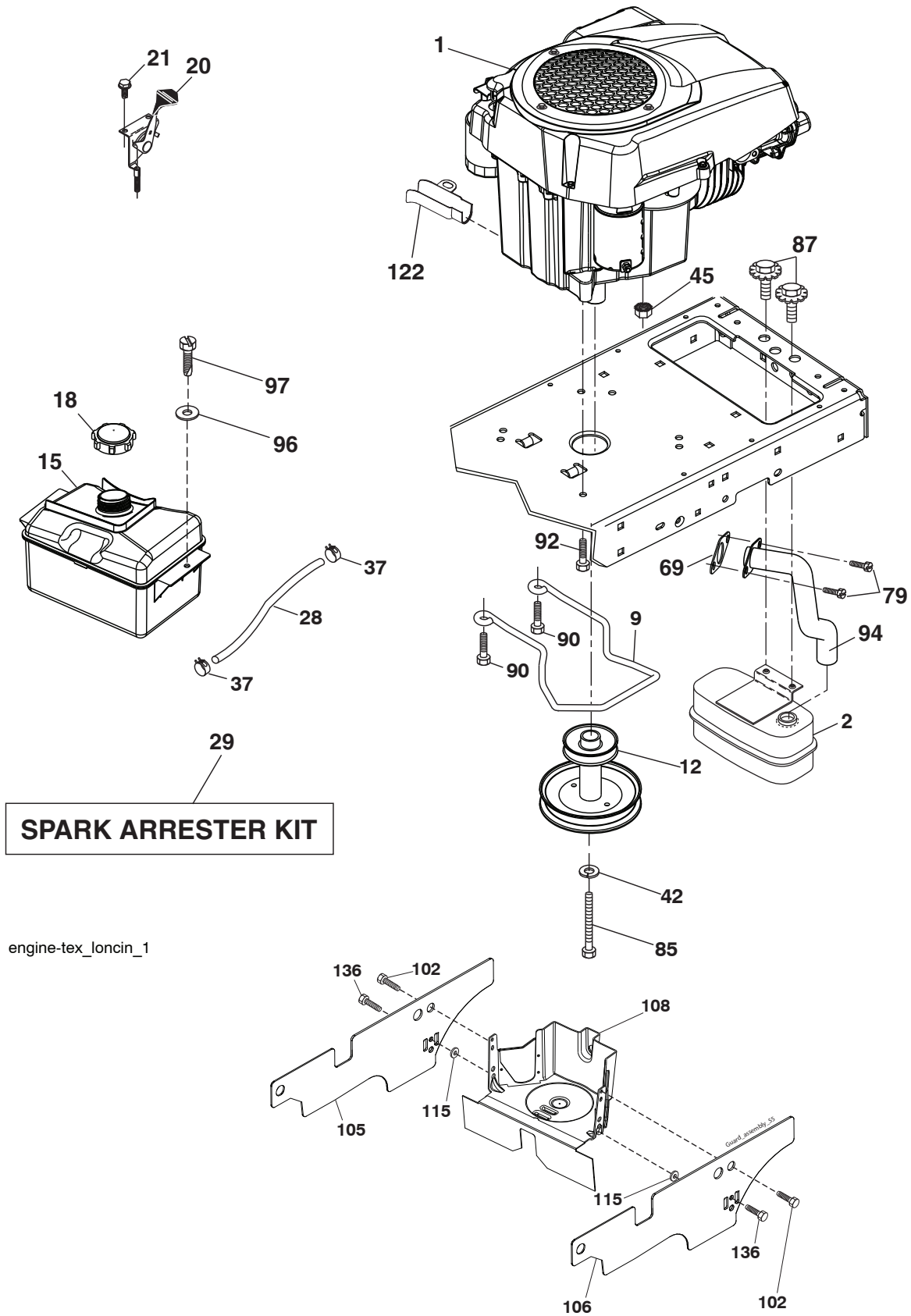


drive-tex_peerless_fender_67

**TRACTOR - - MODEL NO. M110-97T CLASSIC (96041040600), PRODUCT NO. 960 41 04-06
DRIVE 40**

KEY NO.	PART NO.	DESCRIPTION	KEY NO.	PART NO.	DESCRIPTION
1	-----	Transaxle, Peerless 206-565 (197941) (Order parts from transaxle manufacturer.)	160	532 16 94-84	Retainer Clip
2	532 12 35-83	Key Square	161	532 10 57-09	Spring, Return, Clutch
15	819 13 13-16	Washer 13/32 x 13/16 x 16 Ga.	165	532 19 62-12	Busing Shaft Brake Hand Control
17	532 19 72-97	Spring, Brake	166	532 42 91-64	Nut Push .625
22	532 19 76-60	Rod Shift	167	532 40 52-57	Latch Brake Parking
23	532 10 69-33	Knob	172	532 19 76-57	Strap Torque LH
26	532 19 74-55	Spring Brake Return	174	532 19 72-89	Nut Push
29	532 19 72-67	Rod, Brake	175	532 19 78-58	Shaft Asm. Shift
33	812 00 00-01	Ring E	176	532 19 62-14	Arm Clevis Rod Shift
35	532 40 10-31	Rod, Brake, Park	178	532 19 74-56	Spring Shift
37	532 12 17-49	Washer 25/32 x 1-1/4 x 16 Ga.	183	532 13 70-57	Spacer Axle
42	532 00 88-83	Cover, Foot Pedal	184	532 41 14-84	Handle Parking Brake
49	872 11 06-14	Bolt	185	872 11 06-22	Bolt 3/8-16 unc x 2-3/4 Gr. 5
50	532 19 43-27	Pulley Idler Flat	186	532 19 43-21	Spacer Retainer
51	873 90 06-00	Lock Nut 3/8-16	187	819 13 32-10	Washer
52	532 19 43-26	Idler V-Groove	188	582 21 70-01	Link Clutch Ground Drive, Long
56	532 19 43-46	V-Belt, Drive	189	532 19 43-17	Bellcrank Ground Drive
61	532 12 36-66	Pulley Transaxle	190	532 19 43-18	Keeper Bellcrank Ground Drive
64	532 19 62-00	Shaft Asm. Pedal Brake Control	192	532 15 03-60	Nut Lock Center 1/4-28 Fnthd
70	532 41 12-90	Console Shift	193	817 06 05-12	Screw 5/16-18 x 3/4
73	874 49 05-40	Bolt Hex Flgd 5/16-18 x 2-1/2 Gr. 5	195	532 19 73-32	Bracket Brake Rod
74	532 14 24-32	Screw Hex Wsh 1/4 x 1/2	202	532 19 78-59	Link Transaxle
116	873 90 05-00	Nut Lock Hex Flange 5/16-18	203	819 11 11-16	Washer 11/32 x 11/16 x 16 Ga.
125	817 00 05-12	Screw 5/16-18 x 3/4	205	532 12 17-48	Washer 25/32 x 1-5/8 16 Ga.
134	532 19 78-57	Asm Shift	221	532 40 31-87	Retainer Spring Clip Handle
139	874 55 04-12	Bolt 1/4-28 unf Gr. 8 w/Patch	232	874 78 07-16	Bolt Hex 7/16-14 x 1 Gr. 5
140	810 04 04-00	Washer Lock Hvy Helical 1/4	233	532 40 52-96	Washer Serrated
141	819 09 12-10	Washer 9/32 x 3/4 x 10 Ga.	263	817 00 06-12	Screw Hexwsh THDR 3/8-16 x 3/4
155	812 00 00-28	Ring Retainer	268	532 18 24-02	Guard Muffler
157	532 10 57-01	Washer Plate Shift			
158	532 19 43-52	Belt Keeper			
159	876 02 04-12	Pin Cotter 1/8 x 3/4			

NOTE: All component dimensions given in U.S. inches
1 inch = 25.4 mm

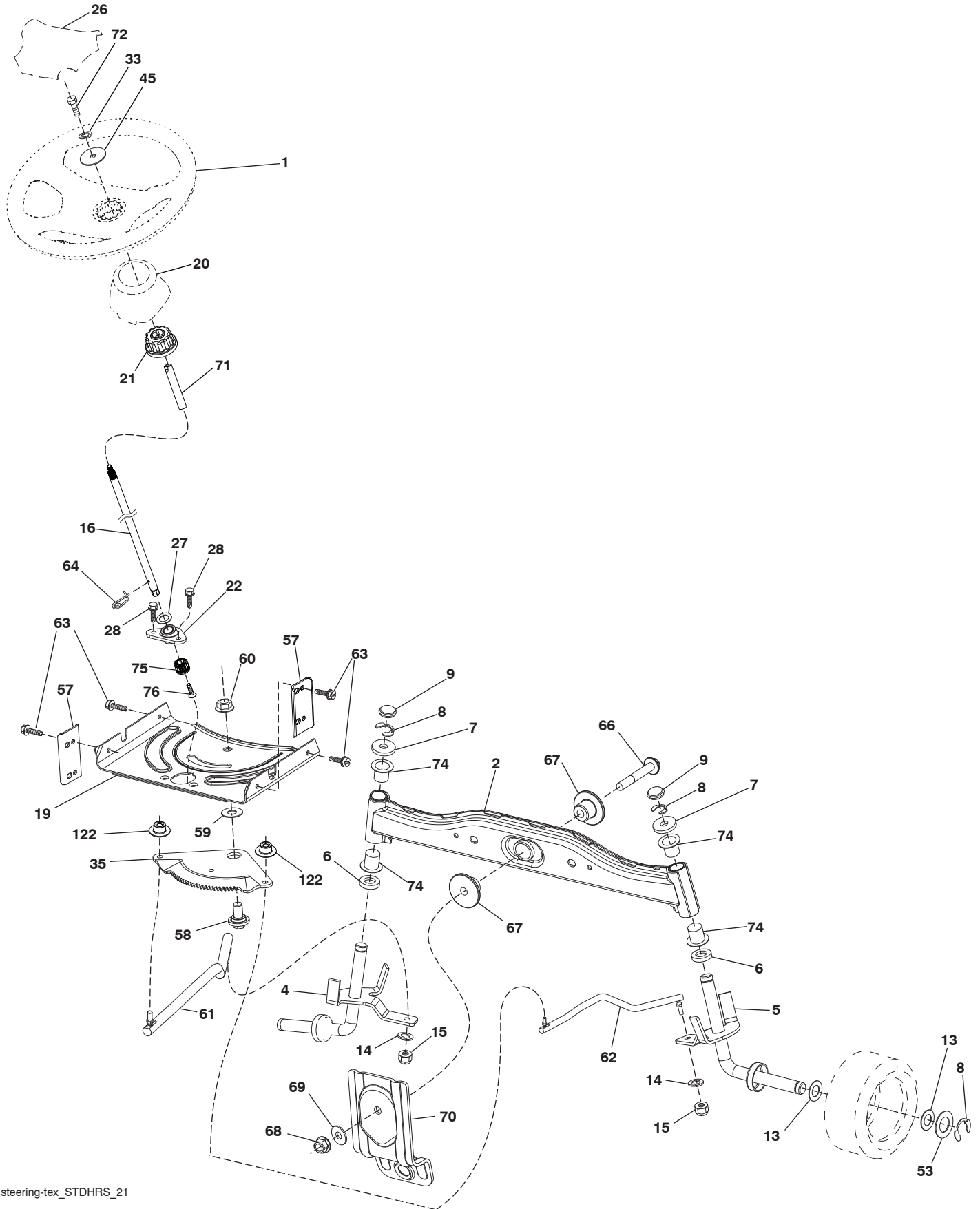


**TRACTOR - - MODEL NO. M110-97T CLASSIC (96041040600), PRODUCT NO. 960 41 04-06
ENGINE 24**

KEY NO.	PART NO.	DESCRIPTION
1	— — — — —	Engine SVC LLC 591070901
2	532 18 86-55	Muffler
9	582 54 03-02	Keeper Belt Engine
12	586 72 90-01	Pulley Engine
15	581 28 99-01	Tank Fuel 1.5
18	532 43 02-20	Cap Asm
20	532 18 38-97	Control Throttle
21	532 41 63-58	Screw #10 x .750 BOS Thread
28	532 13 70-40	Fuel Line
29	532 13 71-80	Spark Arrester Kit
37	532 12 34-87	Clamp Hose
42	539 99 02-47	Washer SLW STD 7/16
45	593 35 64-01	Nut Hex Flange M6 Serrated
69	590 86 35-01	Gasket
79	532 18 39-06	Screw Socket 5/16-18 x 1
85	501 60 65-01	Bolt Hex 7/16-20 x 4 Gr. 5 1.5
87	532 17 18-77	Bolt 5/16-18 unc x 3/4
90	817 00 06-16	Screw 3/8-16 x 1
92	817 12 06-16	Screw 3/8-16 x 1
94	590 86 46-01	Tube Exhaust
96	819 09 14-16	Washer 9/32 x 7/8 x 16 Ga.
97	817 67 04-12	Screw Hexwsh Thdrol 1/4-20 x 3/4
102	817 00 05-12	Screw 5/16-18 x 3/4
105	501 26 72-02	Shield Side LH
106	501 26 82-02	Shield Side RH
108	587 17 95-09	Cover Eng. Pulley w/SHLD 38", 42"
115	532 43 17-61	Palnut #10
122	532 42 19-22	Extension Drain Oil
136	532 42 17-56	Screw, #10 0.500, BOS

NOTE: All component dimensions given in U.S. inches
1 inch = 25.4 mm

TRACTOR - - MODEL NO. M110-97T CLASSIC (96041040600), PRODUCT NO. 960 41 04-06
STEERING ASSEMBLY **41**



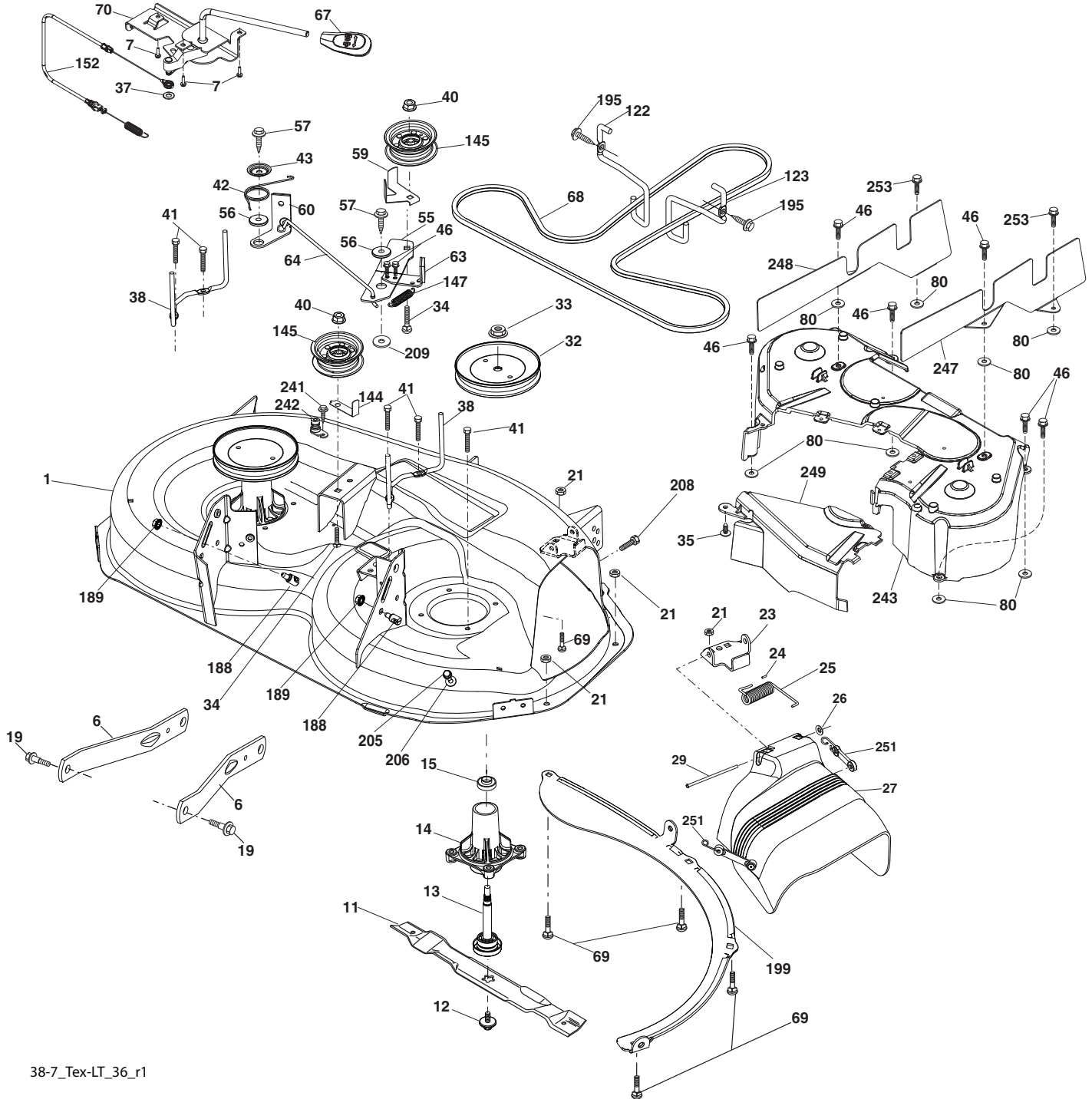
steering-tex_STDHRS_21

**TRACTOR - - MODEL NO. M110-97T CLASSIC (96041040600), PRODUCT NO. 960 41 04-06
STEERING ASSEMBLY 41**

KEY NO.	PART NO.	DESCRIPTION
1	532 42 45-43	Wheel, Steering
2	532 41 81-68	Axle Asm., Front
4	532 40 30-87	Spindle Asm., LH
5	532 40 30-88	Spindle Asm., RH
6	532 00 62-66	Washer, Thrust .75 x 1.230
7	532 12 17-48	Washer 25/32 x 1-5/8 x 16 Ga.
8	812 00 00-29	Ring, Klip #T5304-75
9	532 12 12-32	Cap, Spindle
13	532 12 17-49	Washer, 25/32 x 1-1/4 x 16 Ga.
14	539 99 01-18	Washer, SLW ZD 3/8
15	873 54 06-00	Nut, Crown Lock 3/8-24 unf
16	585 86 92-02	Steering Shaft
19	532 19 47-29	Plate Steering
20	532 40 97-63	Boot, Steering
21	532 18 67-37	Adapter, Wheel Steering
22	585 02 98-02	Bearing
26	532 42 46-91	Insert, Wheel Steering
27	819 21 16-16	Washer 21 x 32 x 1 x 16 Ga.
28	817 00 06-12	Screw 3/8-16 x 3/4
33	539 99 01-87	Washer Lock 5/16
35	532 19 47-32	Gear, Sector Plate
45	819 11 38-12	Washer 11/32 x 3/8 x 12 Ga.
53	532 18 89-67	Washer Hardened .793 x 1.637 x .060
57	532 40 74-65	Bracket Upstop
58	532 19 47-47	Bolt Shoulder Sector Pivot CFM
59	532 19 47-48	Washer Thrust Sector Steering
60	873 97 10-00	Nut Flange Lock 5/8-11
61	532 19 47-40	Draglink, LH
62	532 19 47-41	Draglink, RH
63	817 00 05-12	Screw 5/16-18 x 3/4
64	532 19 98-49	Retainer Clip Spring Steering
66	871 02 07-48	Bolt Hex Fghd 7/16-14 x 3 Serr
67	532 19 47-37	Bushing PM Front Axle
68	873 90 07-00	Nut Lock Flange 7/16-14 Gr. 5
69	532 19 91-62	Washer 1.5 x .505 x .118
70	585 33 88-01	Bracket Deck Susp. Front
71	532 19 07-52	Shaft Extension Steering
72	532 42 89-82	Bolt Fin Hex 5/16-18 x 3/4 w/Patch
74	532 00 33-66	Bearing
75	580 68 37-01	Pinion
76	580 68 36-01	Screw Head Sock
122	532 44 49-62	Cap Gear

NOTE: All component dimensions given in U.S. inches
1 inch = 25.4 mm

TRACTOR - - MODEL NO. M110-97T CLASSIC (96041040600), PRODUCT NO. 960 41 04-06
MOWER DECK **44**



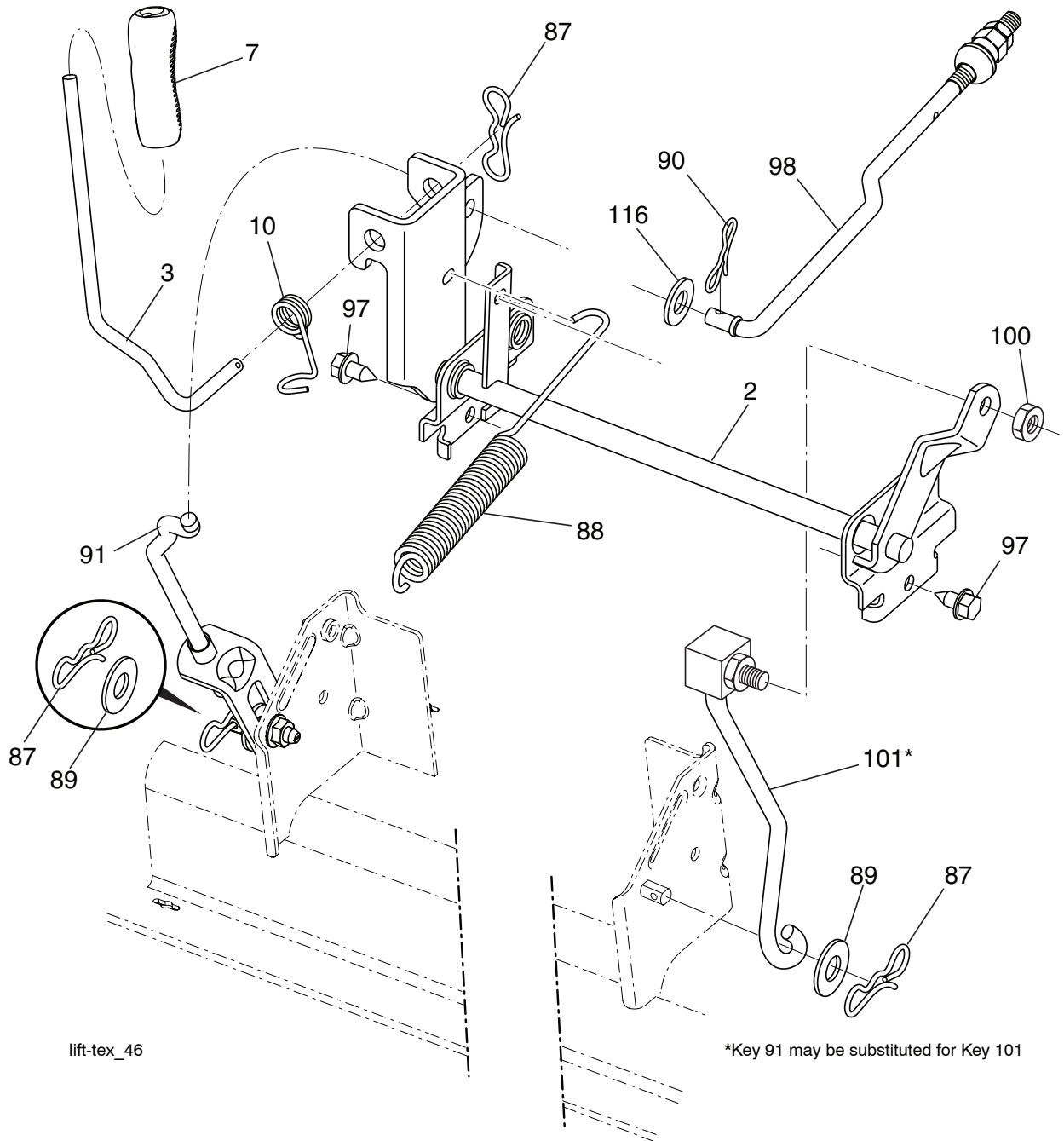
38-7_Tex-LT_36_r1

**TRACTOR - - MODEL NO. M110-97T CLASSIC (96041040600), PRODUCT NO. 960 41 04-06
MOWER DECK 44**

KEY NO.	PART NO.	DESCRIPTION	KEY NO.	PART NO.	DESCRIPTION
1	532 40 78-15	Kit, SVC Weldment	69	872 14 05-05	Bolt
6	532 19 51-86	Arm Suspension	70	532 40 12-46	Clutch Asm. Manual
7	532 41 63-58	Screw #10 x 0.750 BOS Thread	80	532 42 30-62	Palnut 1/4
11	581 11 63-01	Blade 38" 2N1 Premium	122	532 19 72-58	Keeper Belt Engine LH
12	584 30 93-01	Screw 7/16-20 x 1 Hx	123	532 19 72-59	Keeper Belt Engine RH
13	587 25 65-01	Shaft Assembly, Mandrel	144	532 19 34-14	Keeper Belt
14	532 18 72-81	Housing, Mandrel	145	532 19 31-97	Pulley Idler
15	585 32 39-01	Bearing, Mandrel	147	532 40 18-72	Spring Return
19	532 19 65-39	Bolt, Shoulder	152	532 43 51-11	Manual Clutch Cable
21	873 68 05-00	Nut, Crownlock 5/16-18 unc	188	532 19 51-61	Stud Fastener
23	532 19 25-57	Bracket, Deflector	189	873 90 05-00	Nut Lock Hex Flange
24	532 10 53-04	Cap, Sleeve	195	817 00 06-12	Screw 3/8-16 x 3/4
25	532 19 70-26	Spring, Torsion, Deflector	199	532 40 00-95	Baffle Vortex
26	532 11 04-52	Nut, Push	205	817 49 04-16	Screw 1/4-20 x 1
27	532 40 16-18	Shield, Deflector	206	819 09 14-16	Washer 9/32 x 7/8 x 16 Ga.
29	532 13 14-91	Rod, Hinge	208	817 67 06-08	Screw THRD L
32	532 19 97-89	Pulley, Mandrel	209	819 13 32-10	Washer 13/32 x 2 x 10
33	532 40 02-34	Nut, Toplock, Flanged	241	532 15 29-27	Screw TT #10-32.5 3/8
34	872 11 06-12	Bolt Carr. Sh. 3/8-16 x 1-1/2 Gr. 5	242	532 41 55-98	Port Washout
35	532 13 38-35	Fastener	243	532 40 65-10	Cover Deck 38
37	819 13 13-16	Washer	247	589 00 95-02	Shield Deck LH
38	532 19 95-41	Keeper Belt LH Mandrel	248	589 00 94-02	Shield Deck RH
40	873 90 06-00	Nut, Lock Flg. 3/8-16 unc	249	532 40 65-14	Cover Cable Clutch
41	584 95 39-01	Bolt Hex Wshr	251	532 43 60-87	Kit Bungee
42	532 19 84-10	Spring Torsion Brake	253	532 42 73-50	Rivet
43	532 19 72-56	Spring Torsion Retainer	--	587 25 33-01	Mandrel Assembly (Includes housing (key# 14), shaft assembly (key# 13), and bearing (key# 15) only - pulley/nut/washer and blade bolt/washers not included.)
46	532 13 77-29	Screw 1/4 - 20 x 5/8	--	532 40 04-22	Replacement Mower, Complete
55	532 19 72-49	Arm, Idler			
56	532 19 90-92	Spacer, Retainer			
57	817 00 06-16	Screw 3/8-16 x 1			
59	532 14 10-43	Guard, Tuv. Idler			
60	532 19 94-71	Arm Brake Mower			
63	532 19 94-70	Arm Brake Mower			
64	532 19 97-90	Link Brake			
67	532 40 30-12	Handle Clutch Cable			
68	532 40 83-81	V-Belt			

NOTE: All component dimensions given in U.S. inches
1 inch = 25.4 mm

TRACTOR -- MODEL NO. M110-97T CLASSIC (96041040600), PRODUCT NO. 960 41 04-06
MOWER LIFT 45

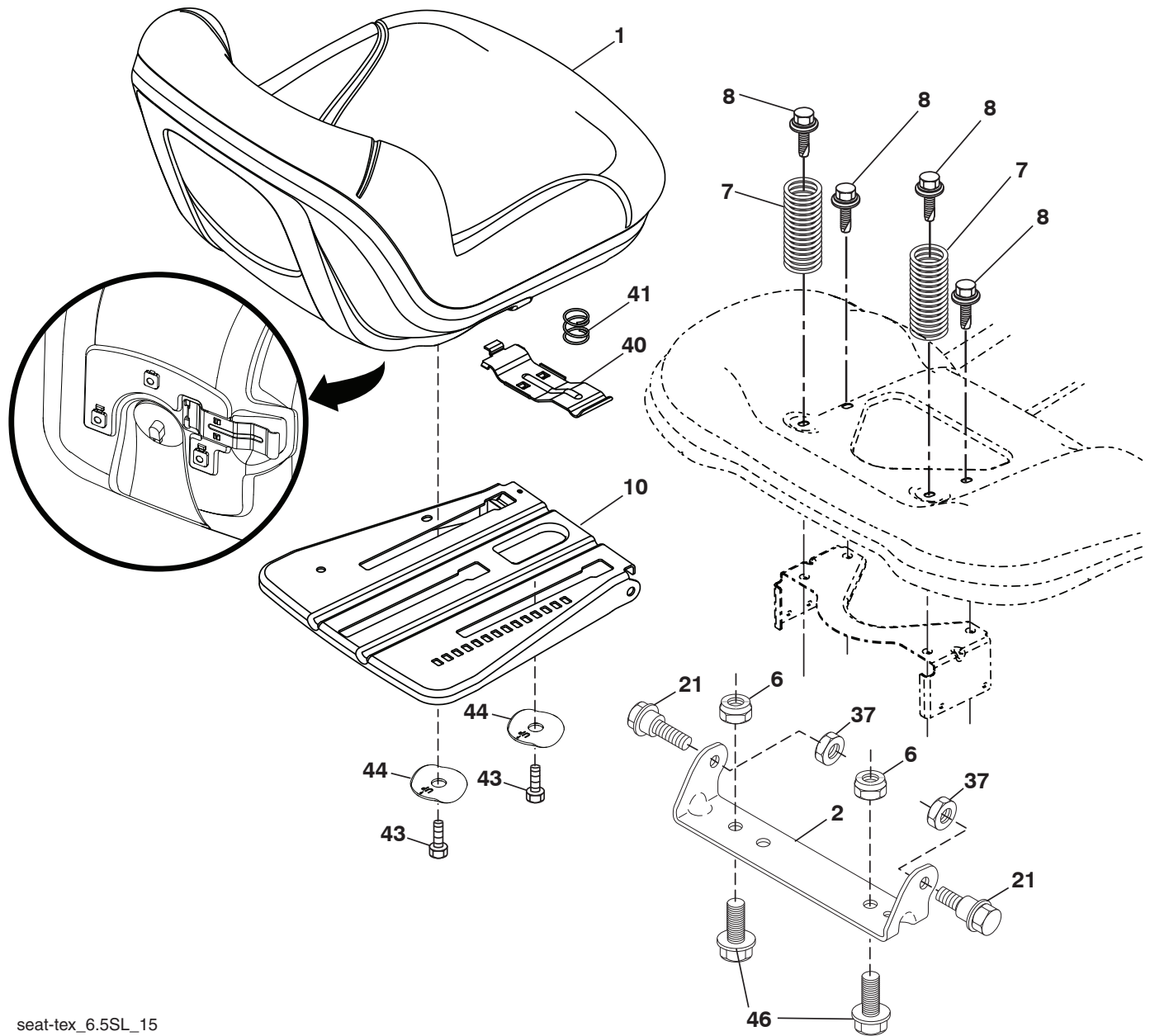


KEY NO.	PART NO.	DESCRIPTION
2	532 42 20-27	Shaft Asm., Lift
3	532 19 52-31	Lever Asm., Lift RH
7	580 96 23-01	Grip, Lever
10	532 19 63-14	Spring Torsion
87	532 19 42-09	Pin Cotter 7/16 Bow Tie Lock
88	532 41-07-10	Spring Lift Assist
89	819 19 19-12	Washer Clear Zinc
90	532 19 42-08	Pin Cotter 5/16 Bow Tie Lock

KEY NO.	PART NO.	DESCRIPTION
91	532 19 51-81	Link Lift Susp Mower Rear
97	817 00 06-12	Screw 3/8-16 x .75
98	532 19 52-70	Link Lift Susp. Front Mower
100	873 93 06-00	Nut Centerlock 3/8-16
101	532 40-70-03	Link Asm. Lift FXD
116	594 97 65-01	Washer 15/32 x 15/16 x .065

NOTE: All component dimensions given in U.S. inches
 1 inch = 25.4 mm

**TRACTOR -- MODEL NO. M110-97T CLASSIC (96041040600), PRODUCT NO. 960 41 04-06
SEAT ASSEMBLY 42**



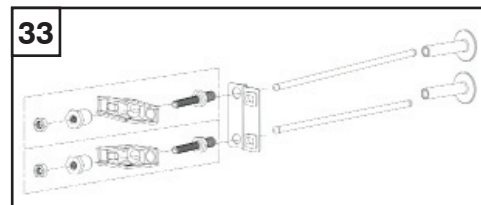
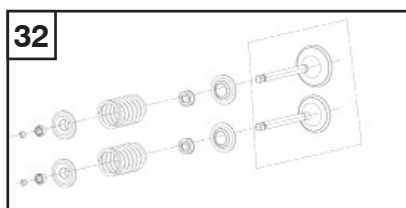
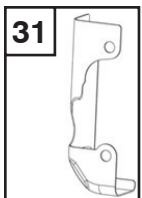
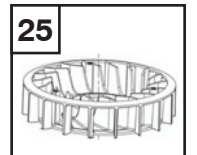
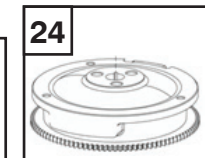
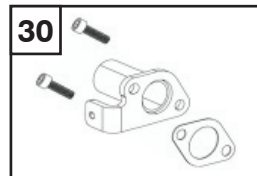
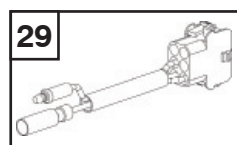
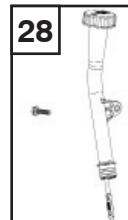
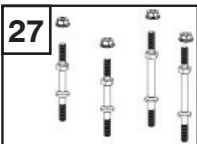
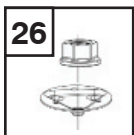
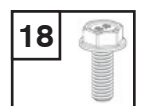
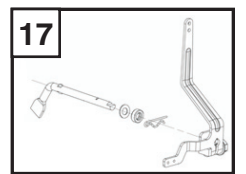
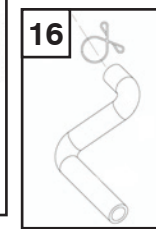
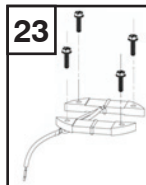
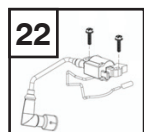
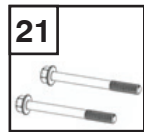
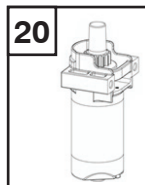
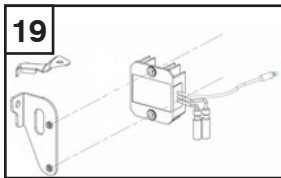
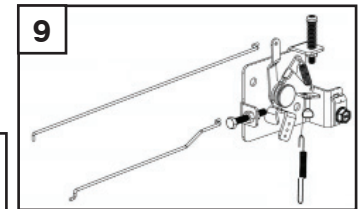
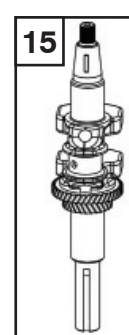
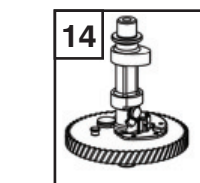
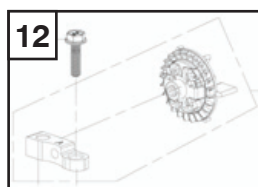
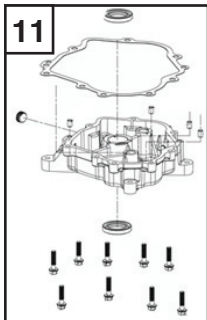
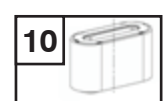
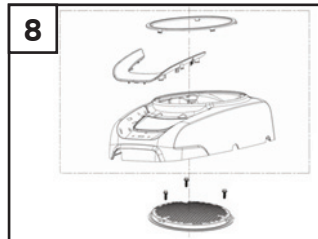
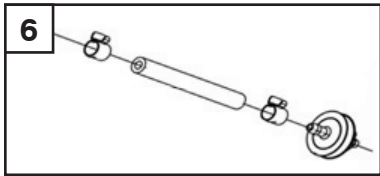
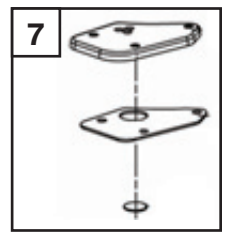
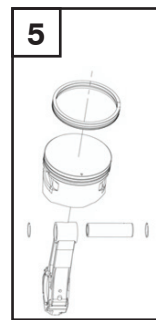
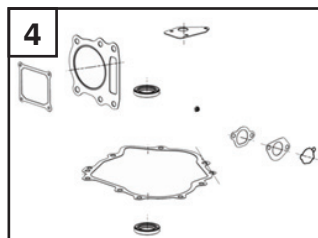
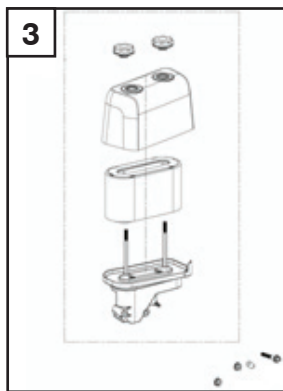
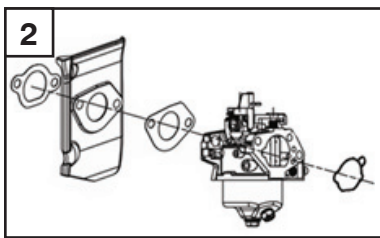
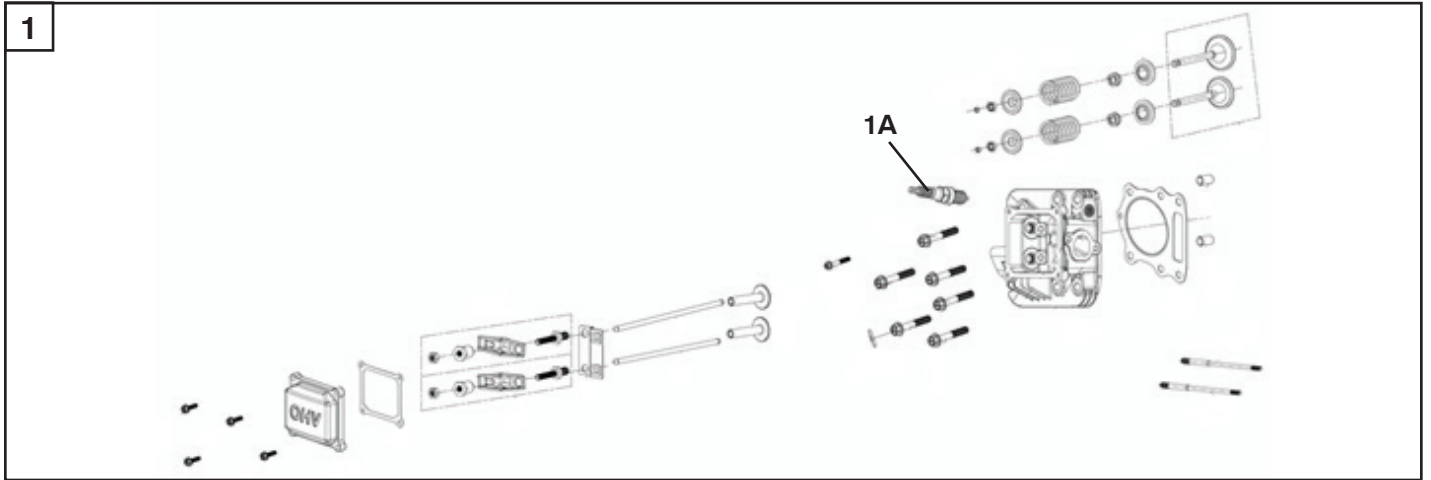
seat-tex_6.5SL_15

KEY NO.	PART NO.	DESCRIPTION
1	581 46 20-01	Seat
2	532 18 01-66	Bracket Pivot Fender
6	873 80 06-00	Nut, Lock w/Ins. 3/8-16 unc
7	589 48 35-01	Spring, Seat Cprsn
8	532 17 18-77	Bolt 5/16-18 unc x 3/4 w/Sems
10	596 65 74-02	Plate, Seat
21	587 90 78-01	Bolt, Shoulder 5/16-18 x 5/8
37	873 80 05-00	Nut, Lock 5/16-18 unc

KEY NO.	PART NO.	DESCRIPTION
40	532 19 76-61	Handle Slide
41	532 19 82-00	Spring Latch
43	874 76 06-12	Bolt Fin Hex 3/8-16 unc x 3/4
44	501 05 18-01	Washer Winged 3/8 ID 1.5 OD
46	588 09 04-01	Bolt 3/8-16 x 1, 1.25 OD

NOTE: All component dimensions given in U.S. inches
1 inch = 25.4 mm

TRACTOR - - MODEL NO. M110-97T CLASSIC (96041040600), PRODUCT NO. 960 41 04-06
ENGINE (352 CC)



**TRACTOR - - MODEL NO. M110-97T CLASSIC (96041040600), PRODUCT NO. 960 41 04-06
ENGINE (352 CC)**

ITEM NO.	PART NO.	DESCRIPTION	QTY.
1	590903601	CYLINDER HEAD COMP KIT	1
1A	591165501	SPARK PLUG	1
2	590903701	CARBURETOR KIT	1
3	590903901	AIR CLEANER KIT	1
4	590904201	GASKET AND SEAL KIT	1
5	590904301	PISTON AND RING SET,PISTON KIT	1
6	590904401	FUEL SYSTEM KIT	1
7	590904701	COVER COMP BREATHER AND VALVE, BREATHER CHAMBER KIT	1
8	590904801	START COVER KIT	1
9	590966001	THROTTLE AND CHOKE ROD KIT	1
10	590970601	AIR FILTER	1
11	590967901	CRANKCASE COVER KIT	1
12	590968001	GOVENOR GEAR KIT	1
13	590968101	BALANCING SHAFT KIT	1
14	590968201	CAMSHAFT	1
15	590968301	CRANKSHAFT	1
16	590968401	BREATHER TUBE KIT	1
17	591165601	SPEED REGULATING ARM KIT	1
18	590968601	HEXAGON BOLT WITH FLANGE	1
19	590968801	VOLTAGE REGULATOR KIT	1
20	590968901	STARTER MOTOR KIT	1
21	592951201	STARTER MOTOR BOLTS	1
22	590969001	IGNITION COIL KIT	1
23	590969101	CHARGING ARMATURE KIT	1
24	590969201	FLYWHEEL KIT	1
25	590969901	IMPELLER KIT	1
26	590969601	STARTING DISC KIT	1
27	590969701	STUD KIT	1
28	590969801	FILL TUBE KIT	1
29	590970001	CONNECTING WIRE	1
30	590970101	EXHAUST PIPE KIT	1
31	590970201	AIR DEFLECTOR	1
32	590970301	VALVE KIT	1
33	590970401	ROCKER ARM KIT	1

