

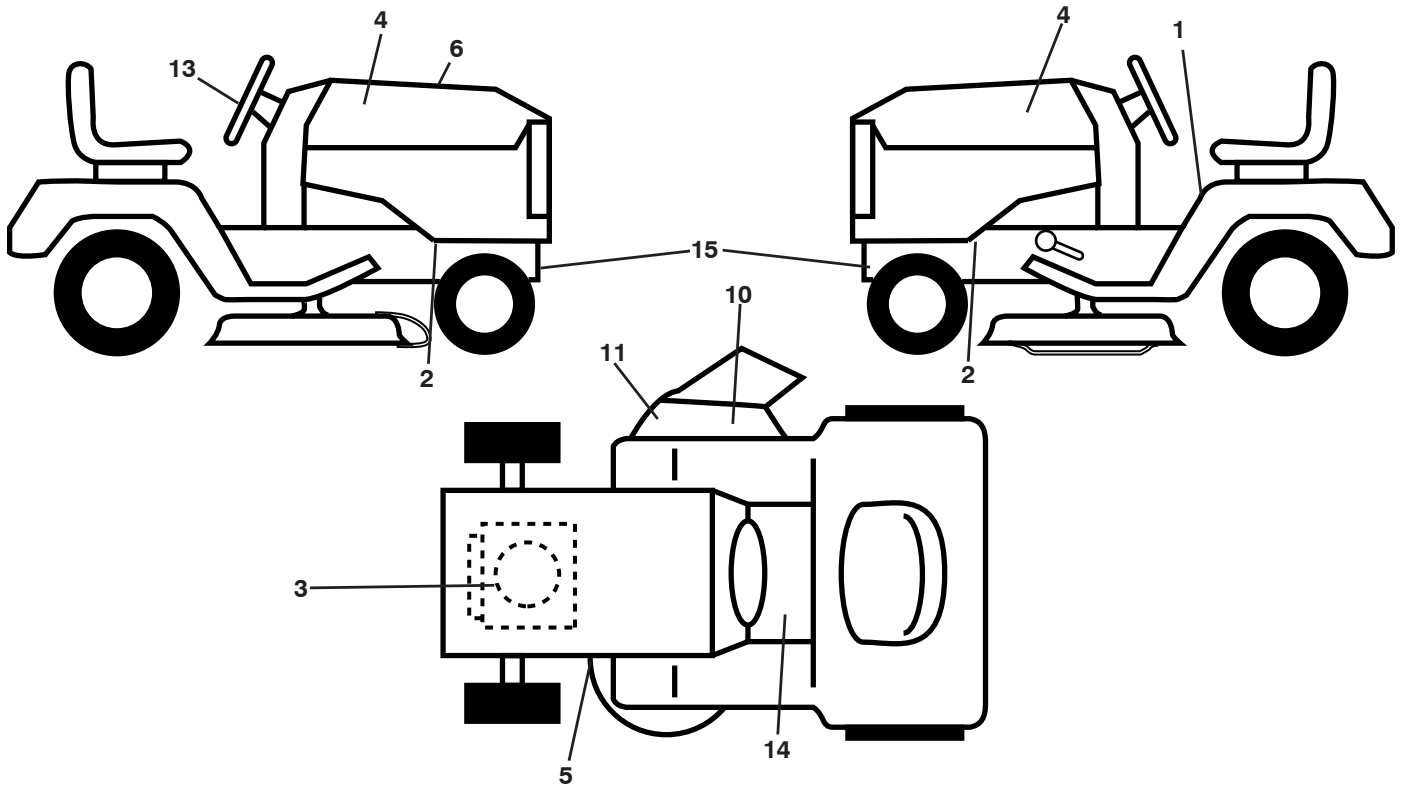
# **ILLUSTRATED PARTS LIST**

**MFG. ID NO. 96041040500**

**CUSTOMER CATALOG NO. M110-77T CLASSIC**

**PROD. NO. 960 41 04-05**

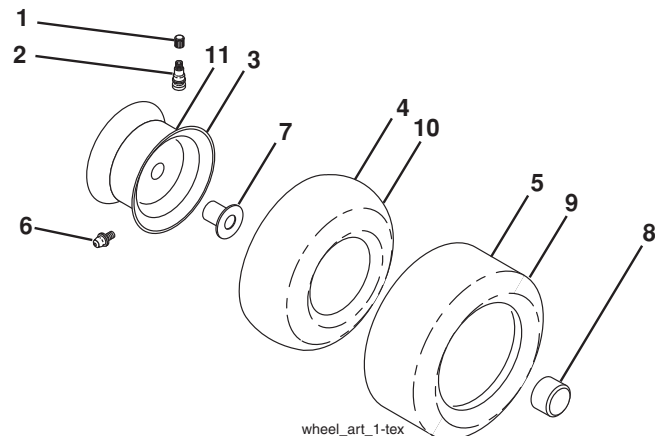
**TRACTOR--MODEL NO. M110-77T CLASSIC (96041040500), PROD. NO. 96041 04-05**  
**DECALS 27**



| KEY NO. | PART NO.     | DESCRIPTION                   |
|---------|--------------|-------------------------------|
| 1       | 586 04 73-02 | Decal, Read                   |
| 2       | 581 57 96-01 | Decal, Hot Muffler            |
| 3       | 581 57 97-01 | Decal, Warning Engine Symbols |
| 4       | 581 09 12-01 | Decal, Hood RH/LH             |
| 5       | 581 58 00-04 | Decal, V-Belt Schematic       |
| 6       | 591 17 03-01 | Decal, Replacement            |
| 10      | 584 90 46-01 | Decal, Deck/Deflect. Warning  |
| 11      | 581 57 93-01 | Decal, Warning                |
| 13      | 501 49 43-01 | Decal, Steering Wheel         |

| KEY NO. | PART NO.     | DESCRIPTION                 |
|---------|--------------|-----------------------------|
| 14      | 591 15 34-01 | Decal, SDFNDR               |
| 15      | 581 57 98-01 | Decal, Warning              |
| --      | 581 72 46-01 | Decal, Load Limit           |
| --      | 532 40 95-05 | Pad, Footrest, LH           |
| --      | 532 41 12-73 | Pad, Footrest, RH           |
| --      | 115 90 95-40 | Manual, Operator's (Euro)   |
| --      | 115 90 96-50 | Manual, Operator's (Scan)   |
| --      | 115 90 97-20 | Manual, Operator's (Ebloc)  |
| --      | 115 90 98-30 | Manual, Operator's (Baltic) |

**WHEELS AND TIRES**



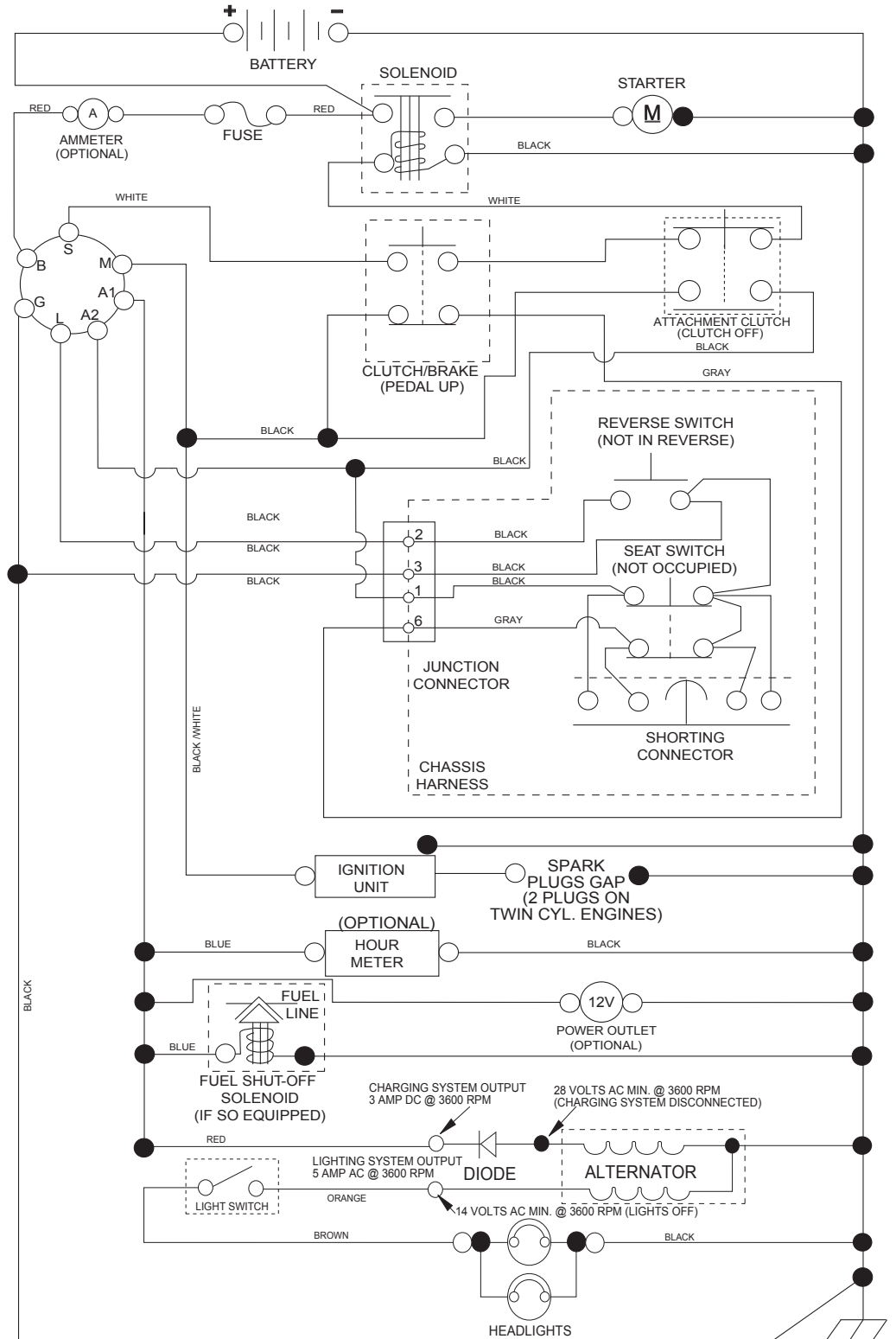
| KEY NO. | PART NO.     | DESCRIPTION                       |
|---------|--------------|-----------------------------------|
| 1       | 532 05 91-92 | Cap Valve Tire                    |
| 2       | 532 06 51-39 | Stem Valve                        |
| 3       | 532 42 53-61 | Rim Asm 6" x 3.25 Front           |
| 4       | 532 42 16-52 | Tube Front (Service Item Only)    |
| 5       | 532 12 34-10 | Tire Front 13 x 5-6               |
| 6       | 532 12 49-57 | Fitting Grease (Front Wheel Only) |
| 7       | 532 12 49-59 | Bearing Flange (Front Wheel Only) |
| 8       | 532 19 32-68 | Cap Axle Yellow 1 50 x 1 00       |
| 9       | 532 10 62-30 | Tire Rear 16 x 6.5-8              |
| 10      | 532 00 71-54 | Tube Rear (Service Item Only)     |
| 11      | 532 42 53-62 | Rim Asm 8" x 5.375 Rear           |
| --      | 532 14 43-34 | Sealant, Tire (10 oz. Tube)       |

**NOTE:** All component dimensions given in U.S. inches  
 1 inch = 25.4 mm

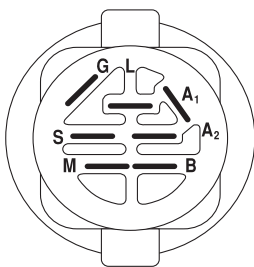
# TRACTOR--MODEL NO. M110-77T CLASSIC (96041040500), PROD. NO. 96041 04-05

## SCHEMATIC 38

SCH11

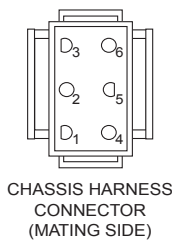


**NOTE**  
 YOUR TRACTOR IS EQUIPPED WITH A SPECIAL ALTERNATOR SYSTEM. THE LIGHTS ARE NOT CONNECTED TO THE BATTERY, BUT HAVE THEIR OWN ELECTRICAL SOURCE. BECAUSE OF THIS, THE BRIGHTNESS OF THE LIGHTS WILL CHANGE WITH ENGINE SPEED. AT IDLE THE LIGHTS WILL DIM. AS THE ENGINE IS SPEEDED UP, THE LIGHTS WILL BECOME THEIR BRIGHTEST.

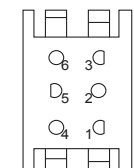


IGNITION SWITCH

| POSITION     | CIRCUIT | "MAKE" |
|--------------|---------|--------|
| OFF          | M+G+A1  |        |
| RUN/OVERRIDE | B+A1    |        |
| RUN          | B+A1    | L+A2   |
| START        | B+S+A1  |        |



CHASSIS HARNESS CONNECTOR (MATING SIDE)



DASH HARNESS CONNECTOR (MATING SIDE)

WIRING INSULATED CLIPS  
 NOTE: IF WIRING INSULATED CLIPS WERE REMOVED FOR SERVICING OF UNIT, THEY SHOULD BE RE-INSTALLED TO PROPERLY SECURE YOUR WIRING.

NON-REMOVABLE CONNECTIONS

REMOVABLE CONNECTIONS

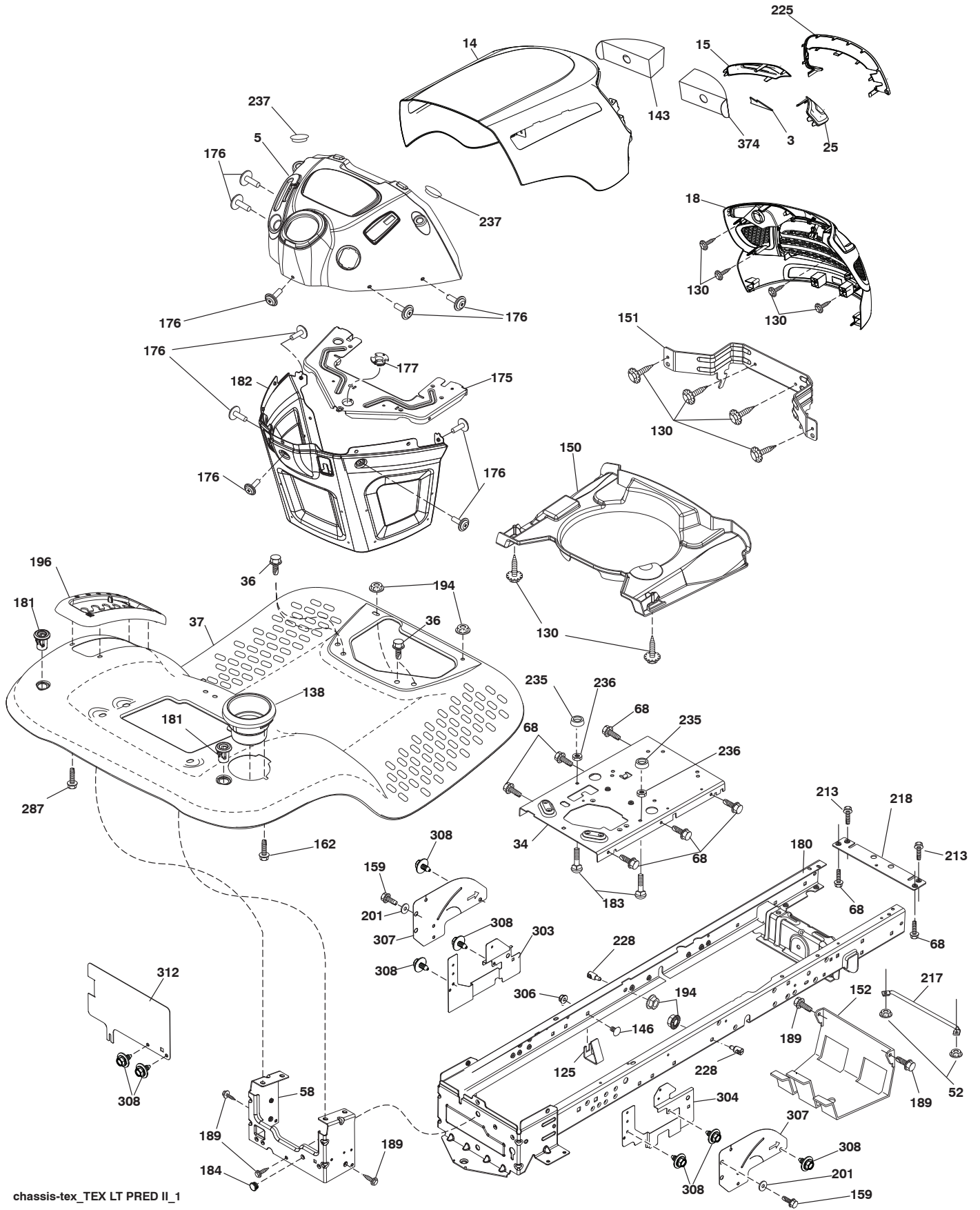


**TRACTOR--MODEL NO. M110-77T CLASSIC (96041040500), PROD. NO. 96041 04-05**  
**ELECTRICAL 32**

| <b>KEY NO.</b> | <b>PART NO.</b> | <b>DESCRIPTION</b>            |
|----------------|-----------------|-------------------------------|
| 1              | 532 14 49-24    | Battery                       |
| 2              | 874 76 04-12    | Bolt Hex Head 1/4-20 x 3/4    |
| 8              | 532 19 32-28    | Box Battery                   |
| 16             | 532 17 61-38    | Switch Interlock Push-In      |
| 21             | 532 40 02-52    | Harness Socket Light w/4152J  |
| 22             | 532 00 41-52    | Bulb Light                    |
| 25             | 581 49 80-01    | Cable Starter                 |
| 26             | 532 17 51-58    | Fuse                          |
| 27             | 873 51 04-00    | Nut Keps Hex 1/4-20 unc       |
| 28             | 532 42 16-86    | Cable, Ground                 |
| 29             | 532 40 15-45    | Switch, Seat                  |
| 30             | 532 19 33-50    | Switch, Ign                   |
| 33             | 532 41 19-35    | Key/Chain                     |
| 34             | 532 11 07-12    | Switch Light/Reset            |
| 40             | 581 02 31-01    | Harness Ign. Dash             |
| 43             | 582 04 28-01    | Solenoid                      |
| 55             | 817 06 05-12    | Screw Thdrol 5/16-18 x 3/4    |
| 71             | 501 13 37-01    | Harness Chassis               |
| 79             | 532 17 52-42    | Socket Asm Bulb Twistlock     |
| 87             | 532 19 78-02    | Switch Interlock Clutch Cable |
| 90             | 532 43 53-95    | Cover, Terminal Battery       |
| 92             | 532 19 66-15    | Harness Pigtail               |
| 93             | 532 19 25-40    | Screw Plastite 10-14-2.0      |
| 94             | 532 19 18-34    | Module Reverse                |
| 99             | 817 67 04-12    | Screw 1/4-20 x 3/4            |
| 106            | 532 17 48-14    | Palnut 1/4 Lugs               |

**NOTE:** All component dimensions given in U.S. inches  
1 inch = 25.4 mm

**TRACTOR--MODEL NO. M110-77T CLASSIC (96041040500), PROD. NO. 96041 04-05**  
**CHASSIS AND ENCLOSURES 39**



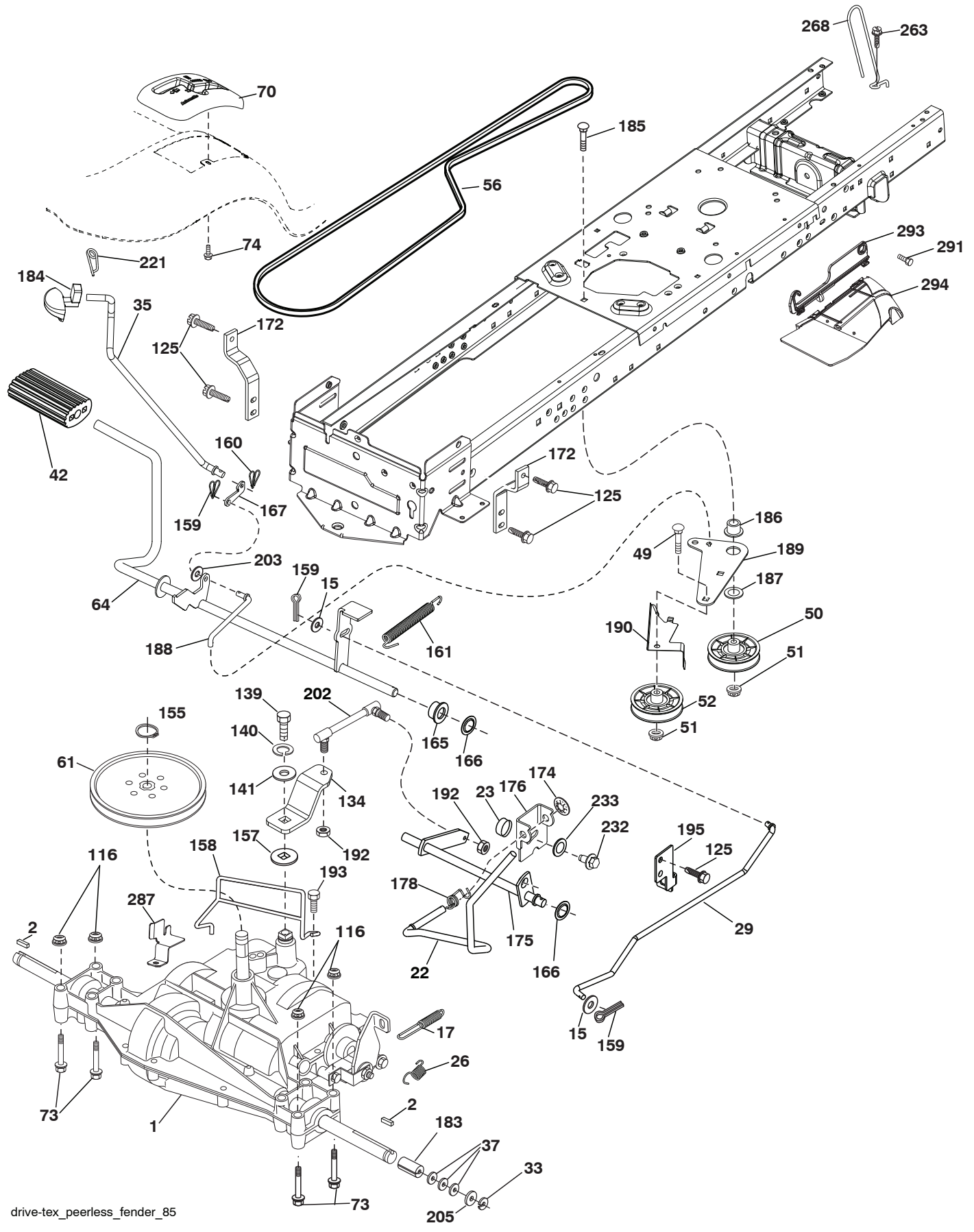
chassis-tex\_TEX LT PRED II\_1

**TRACTOR--MODEL NO. M110-77T CLASSIC (96041040500), PROD. NO. 96041 04-05  
CHASSIS AND ENCLOSURES 39**

| KEY<br>NO. | PART<br>NO.  | DESCRIPTION                | KEY<br>NO. | PART<br>NO.  | DESCRIPTION                     |
|------------|--------------|----------------------------|------------|--------------|---------------------------------|
| 3          | 578 89 71-01 | Emblem                     | 183        | 874 52 05-20 | Bolt 5/16-18 x 1-1/4            |
| 5          | 585 52 98-05 | Dash                       | 184        | 587 55 41-01 | Plug                            |
| 14         | 532 40 95-98 | Hood                       | 189        | 817 00 05-12 | Screw 5/16-18 x 3/4             |
| 15         | 581 05 58-01 | Lens LH                    | 194        | 873 90 05-00 | Nut Lock Hex Flange 5/16-18     |
| 18         | 581 05 57-01 | Grille                     | 196        | 532 41 45-81 | Console Deck Lift Asm.          |
| 25         | 581 05 59-01 | Lens RH                    | 201        | 819 13 20-16 | Washer 13/32 x 1-1/4 x 16 Ga.   |
| 34         | 580 91 08-01 | Plate Engine               | 213        | 539 97 69-34 | Bolt 5/16-18 x 3/4 Gr. 5 ZD     |
| 36         | 817 06 05-12 | Screw 5/16-18 x 3/4        | 217        | 532 40 91-67 | Rod Pivot Hood                  |
| 37         | 532 42 09-86 | Fender                     | 218        | 532 19 63-95 | X-Piece Hood Stop               |
| 52         | 873 68 05-00 | Nut Crown Lock 5/16        | 225        | 581 05 62-01 | Trim Ring                       |
| 58         | 532 41 22-80 | Drawbar, Upper             | 228        | 532 19 51-61 | Stud Fastener                   |
| 68         | 539 99 08-58 | Screw THDROL 5/16-18 x 1/2 | 235        | 532 40 61-29 | Spacer Fender                   |
| 125        | 581 68 48-01 | Clip Fuel Line             | 236        | 873 93 05-00 | Nut Lock 5/16-18 unc            |
| 130        | 532 41 63-58 | Screw 10 x .750 BOS Thread | 237        | 532 40 37-04 | Plug Mount Cargo                |
| 138        | 532 40 97-30 | Cup Holder                 | 287        | 817 60 04-06 | Screw Hex Washhead 1/4-20 x 3/8 |
| 143        | 581 05 60-01 | Insert Reflective LH, MC   | 303        | 589 00 76-02 | Shield, Chassis French LH       |
| 146        | 581 85 79-01 | Bolt                       | 304        | 589 00 68-02 | Shield, Chassis French RH       |
| 150        | 532 40 83-10 | Air Duct                   | 306        | 873 90 06-00 | Nut                             |
| 151        | 532 18 75-68 | Bracket Pivot              | 307        | 587 49 46-01 | Shield Upper                    |
| 152        | 532 19 95-35 | Shield Browning            | 308        | 532 17 18-77 | Bolt 5/16-18 unc x 3/4          |
| 159        | 817 00 06-12 | Screw 3/8-16 x 3/4         | 312        | 589 00 67-02 | Shield Drawbar LT FRTTANK       |
| 162        | 532 14 24-32 | Screw HI-LO 1/4 x 1/2      | 374        | 581 05 60-02 | Insert Reflective RH, MC        |
| 175        | 532 19 94-72 | Crossmember                |            |              |                                 |
| 176        | 532 40 07-76 | Screw 10-24 x 5/8          |            |              |                                 |
| 177        | 532 19 52-28 | Bushing Steering           |            |              |                                 |
| 180        | 532 41 46-85 | Chassis                    |            |              |                                 |
| 181        | 532 40 47-96 | Bushing MNT Fender         |            |              |                                 |
| 182        | 532 40 71-76 | Dash Lower                 |            |              |                                 |

**NOTE:** All component dimensions given in U.S. inches  
1 inch = 25.4 mm

TRACTOR--MODEL NO. M110-77T CLASSIC (96041040500), PROD. NO. 96041 04-05  
 DRIVE **40**



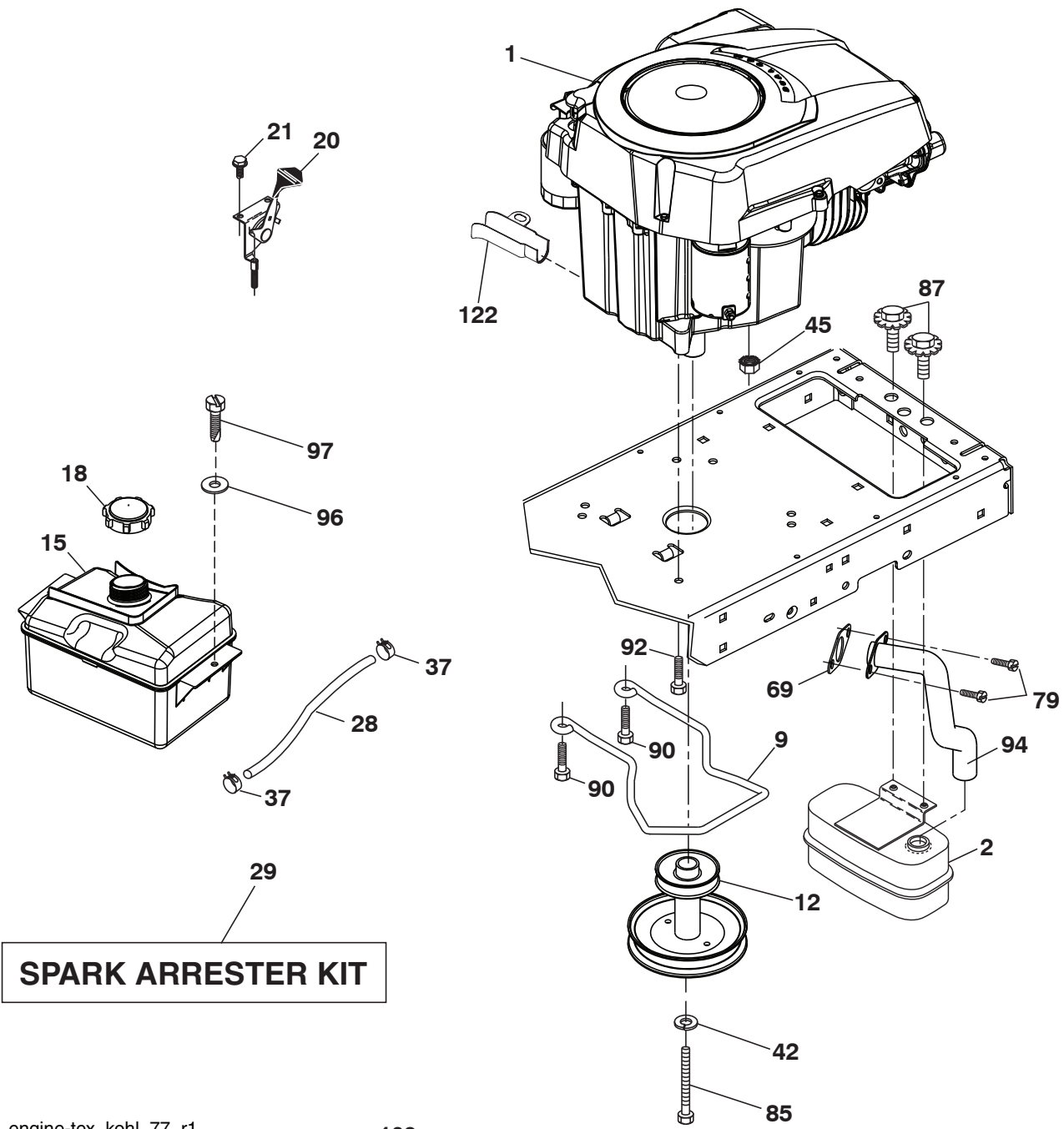
drive-tex\_peerless\_fender\_85



**TRACTOR--MODEL NO. M110-77T CLASSIC (96041040500), PROD. NO. 96041 04-05  
DRIVE 40**

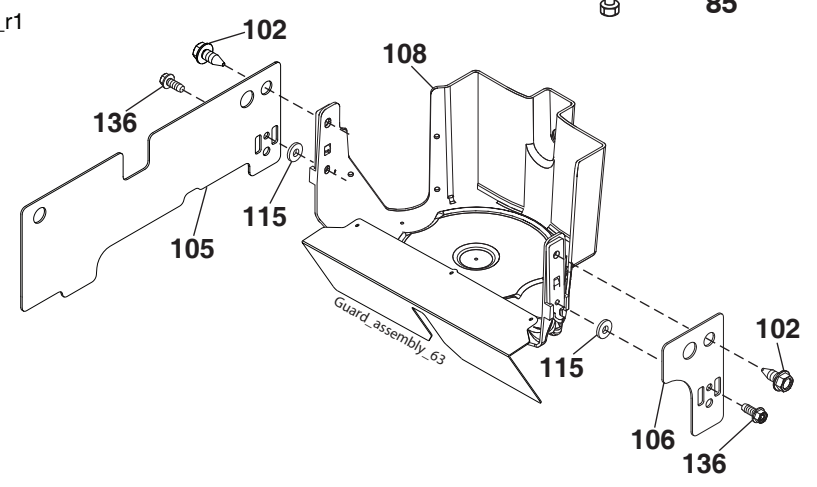
| KEY NO. | PART NO.     | DESCRIPTION  | KEY NO. | PART NO.     | DESCRIPTION                     |
|---------|--------------|--|---------|--------------|---------------------------------|
| 1       | -----        | Transaxle, Peerless 206-565 (197941) (Order parts from trans-axle manufacturer.) | 165     | 532 19 62-12 | Busing Shaft Brake Hand Control |
| 2       | 532 12 35-83 | Key Square   | 166     | 532 42 91-64 | Nut Push .625                   |
| 15      | 819 13 13-16 | Washer 13/32 x 13/16 x 16 Ga.  | 167     | 532 40 52-57 | Latch Brake Parking             |
| 17      | 532 19 72-97 | Spring, Brake  | 172     | 532 19 76-57 | Strap Torque LH                 |
| 22      | 532 19 76-60 | Rod Shift  | 174     | 532 19 72-89 | Nut Push                        |
| 23      | 532 10 69-33 | Knob   | 175     | 532 19 78-58 | Shaft Asm. Shift                |
| 26      | 532 19 74-55 | Spring Brake Return  | 176     | 532 19 62-14 | Arm Clevis Rod Shift            |
| 29      | 532 19 72-67 | Rod, Brake   | 178     | 532 19 74-56 | Spring Shift                    |
| 33      | 812 00 00-01 | Ring E   | 183     | 532 13 70-57 | Spacer Axle                     |
| 35      | 532 40 10-31 | Rod, Brake, Park   | 184     | 532 41 14-84 | Handle Parking Brake            |
| 37      | 532 12 17-49 | Washer 25/32 x 1-1/4 x 16 Ga.  | 185     | 872 11 06-22 | Bolt 3/8-16 unc x 2-3/4 Gr. 5   |
| 42      | 532 12 48-72 | Cover, Foot Pedal  | 186     | 532 19 43-21 | Washer Retainer                 |
| 49      | 872 11 06-14 | Bolt   | 187     | 819 13 32-10 | Washer                          |
| 50      | 532 19 43-27 | Pulley Idler Flat  | 188     | 582 21 70-01 | Link Clutch Ground Drive, Long  |
| 51      | 873 90 06-00 | Lock Nut 3/8-16  | 189     | 532 19 43-17 | Bellcrank Ground Drive          |
| 52      | 532 19 43-26 | Idler V-Groove   | 190     | 532 19 43-18 | Keeper Bellcrank Ground Drive   |
| 56      | 532 13 82-55 | V-Belt, Drive  | 192     | 532 15 03-60 | Nut Lock Center 1/4-28 Fnthd    |
| 61      | 532 16 59-99 | Pulley Transaxle   | 193     | 817 06 05-12 | Screw 5/16-18 x 3/4             |
| 64      | 532 19 62-00 | Shaft Asm. Pedal Brake Control   | 195     | 532 19 73-32 | Bracket Brake Rod               |
| 70      | 532 41 12-90 | Console Shift  | 202     | 532 19 78-59 | Link Transaxle                  |
| 73      | 874 49 05-40 | Bolt Hex Flghd 5/16-18 Gr. 5   | 203     | 819 11 11-16 | Washer 11/32 x 11/16 x 16 Ga.   |
| 74      | 532 14 24-32 | Screw Hex Wsh 1/4 x 1/2  | 205     | 532 12 17-48 | Washer 25/32 x 1-5/8 16 Ga.     |
| 116     | 873 90 05-00 | Nut Lock Hex Flange 5/16-18  | 221     | 532 40 31-87 | Retainer Spring Clip Handle     |
| 125     | 817 00 05-12 | Screw 5/16-18 x 3/4  | 232     | 874 78 07-16 | Bolt Hex 7/16-14 x 1 Gr. 5      |
| 134     | 532 19 78-57 | Asm Shift  | 233     | 532 40 52-96 | Washer Serrated                 |
| 139     | 874 55 04-12 | Bolt 1/4-28 unF Gr. 8 w/Patch  | 263     | 817 00 06-12 | Screw Hexwash Thdr 3/8-16 x 3/4 |
| 140     | 810 04 04-00 | Washer Lock Hvy Helical 1/4  | 268     | 532 18 24-02 | Guard Muffler                   |
| 141     | 819 09 12-10 | Washer 9/32 x 3/4 x 10 Ga.   | 287     | 532 42 16-48 | Keeper Pulley Transaxle         |
| 155     | 812 00 00-28 | Ring Retainer  | 291     | 532 17 01-65 | Bolt Shoulder 5/16-18 TT        |
| 157     | 532 10 57-01 | Washer Plate Shift   | 293     | 532 42 25-48 | Hinge RH                        |
| 158     | 532 19 43-52 | Belt Keeper  | 294     | 532 43 03-03 | Guard Asm. RH                   |
| 159     | 876 02 04-12 | Pin Cotter 1/8 x 3/4   |         |              |                                 |
| 160     | 532 16 94-84 | Retainer Clip  |         |              |                                 |
| 161     | 532 10 57-09 | Spring, Return, Clutch   |         |              |                                 |

**NOTE:** All component dimensions given in U.S. inches  
1 inch = 25.4 mm



**SPARK ARRESTER KIT**

engine-tex\_kohl\_77\_r1



**TRACTOR--MODEL NO. M110-77T CLASSIC (96041040500), PROD. NO. 96041 04-05  
ENGINE 24**

| <b>KEY NO.</b> | <b>PART NO.</b> | <b>DESCRIPTION</b>           |
|----------------|-----------------|------------------------------|
| 1              | ---             | Engine SVC LLC 591070901     |
| 2              | 532 18 86-55    | Muffler                      |
| 9              | 582 54 03-02    | Keeper Belt Engine           |
| 12             | 532 14 01-86    | Pulley Engine                |
| 15             | 581 28 99-01    | Tank Fuel                    |
| 18             | 532 43 02-20    | Cap Asm                      |
| 20             | 532 18 38-97    | Control Throttle             |
| 21             | 532 41 63-58    | Screw #10 x 0.750 BOS Thread |
| 28             | 532 13 70-40    | Fuel Line                    |
| 29             | 532 13 71-80    | Spark Arrester Kit           |
| 37             | 532 12 34-87    | Clamp Hose                   |
| 42             | 539 99 02-47    | Washer 7/16                  |
| 45             | 873 51 04-00    | Nut Keps Hex 1/4-20 unc      |
| 69             | 590 86 35-01    | Gasket                       |
| 79             | 532 18 39-06    | Screw 5/16-18 x 1            |
| 84             | 817 06 06-20    | Screw 3/8-16 x 1/4           |
| 85             | 501 60 65-01    | Bolt Hex 7/16-20 x 4 Gr. 5   |
| 87             | 532 17 18-77    | Bolt 5/16-18 unc x 3/4       |
| 90             | 817 00 06-16    | Screw 3/8-16 x 1             |
| 92             | 817 12 06-16    | Screw 3/8-16 x 1             |
| 94             | 590 86 46-01    | Tube Exhaust                 |
| 96             | 819 09 14-16    | Washer 9/32 x 7/8 x 16 Ga.   |
| 97             | 817 67 04-12    | Screw 1/4-20 x 3/4           |
| 105            | 501 26 88-02    | Shield SRD LH                |
| 106            | 501 26 91-02    | Shield SRD RH                |
| 102            | 817 00 05-12    | Screw 5/16-18 x 3/4          |
| 108            | 587 17 95-12    | Cover Pulley Eng. w/SHLD 30" |
| 115            | 532 43 17-61    | Palnut #10                   |
| 122            | 532 42 19-22    | Extension Drain Oil          |
| 136            | 532 42 17-56    | Screw #10 x 0.500            |

**NOTE:** All component dimensions given in U.S. inches  
1 inch = 25.4 mm

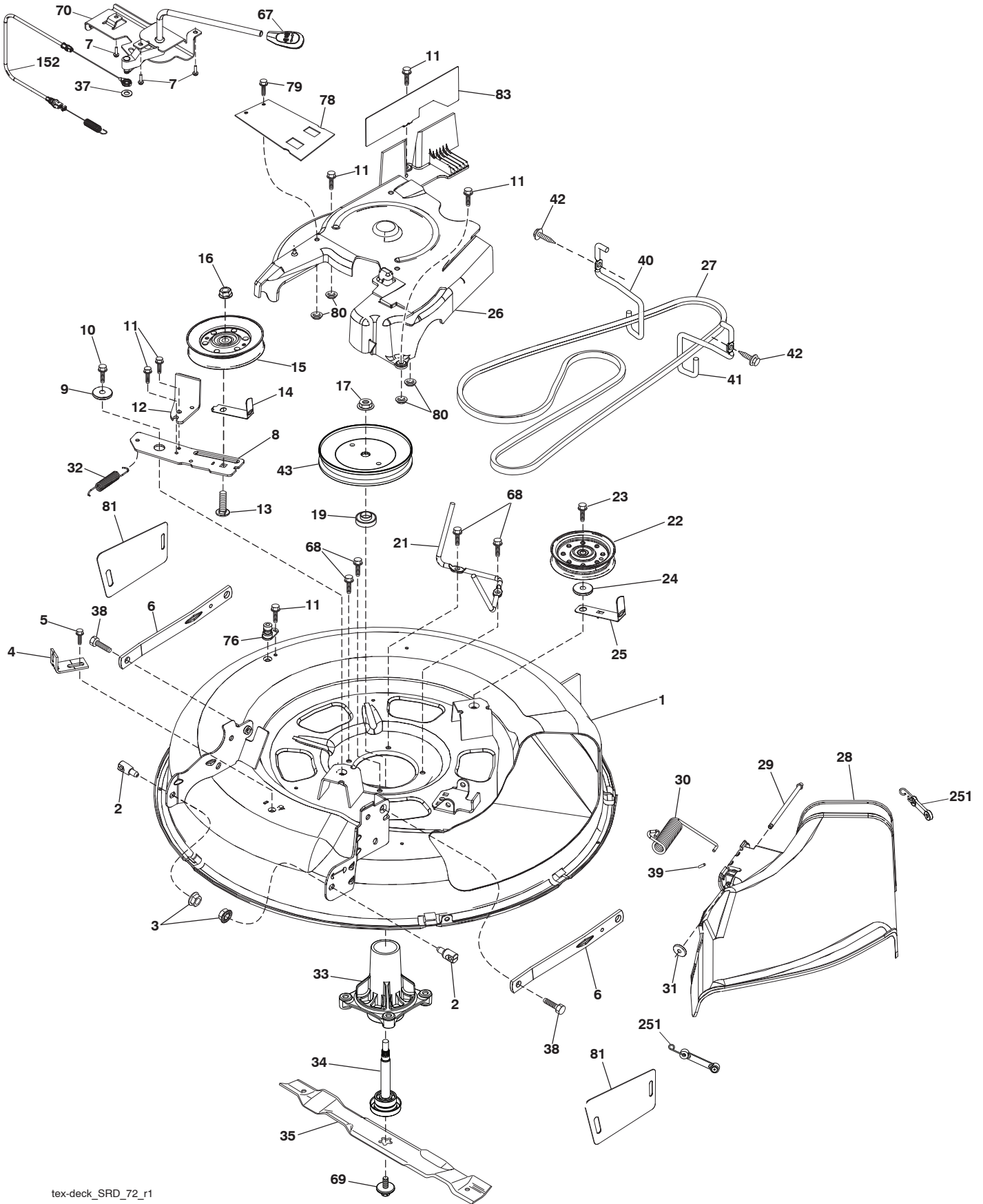


**TRACTOR--MODEL NO. M110-77T CLASSIC (96041040500), PROD. NO. 96041 04-05**  
**STEERING ASSEMBLY 41**

| <b>KEY NO.</b> | <b>PART NO.</b> | <b>DESCRIPTION</b>                  |
|----------------|-----------------|-------------------------------------|
| 1              | 532 42 45-43    | Wheel, Steering                     |
| 2              | 532 41 81-68    | Axle Asm., Front                    |
| 4              | 532 41 68-45    | Spindle Asm., LH                    |
| 5              | 532 41 68-46    | Spindle Asm., RH                    |
| 6              | 532 12 49-31    | Washer Thrust                       |
| 7              | 532 12 17-48    | Washer 25/32 x 1-5/8 x 16 Ga.       |
| 8              | 812 00 00-29    | Ring, Klip #T5304-75                |
| 9              | 532 12 12-32    | Cap, Spindle                        |
| 13             | 532 12 17-49    | Washer 25/32 x 1-1/4 x 16 Ga.       |
| 14             | 539 99 01-18    | Washer, SLW 3/8                     |
| 15             | 873 54 06-00    | Nut, Crown Lock 3/8-24 unf          |
| 16             | 585 86 92-02    | Steering Shaft                      |
| 19             | 532 19 47-29    | Plate Steering                      |
| 20             | 532 40 97-63    | Boot, Steering                      |
| 21             | 532 18 67-37    | Adapter, Wheel Steering             |
| 22             | 585 02 98-02    | Bearing Shaft Steer                 |
| 26             | 532 42 46-91    | Insert, Wheel Steering              |
| 27             | 819 21 16-16    | Washer 21 x 32 x 1 x 16 Ga.         |
| 28             | 817 00 06-12    | Screw 3/8-16 x 3/4                  |
| 33             | 539 99 01-87    | Washer Lock 5/16                    |
| 35             | 532 19 47-32    | Gear, Sector Plate                  |
| 45             | 819 11 38-12    | Washer 11/32 x 3/8 x 12 Ga.         |
| 53             | 532 18 89-67    | Washer Hardened .793 x 1.637 x .060 |
| 57             | 532 40 74-65    | Bracket Upstop                      |
| 58             | 532 19 47-47    | Bolt Shoulder Sector Pivot CFM      |
| 59             | 532 19 47-48    | Washer Thrust Sector Steering       |
| 60             | 873 97 10-00    | Nut Flange Lock 5/8-11              |
| 61             | 532 19 47-40    | Draglink, LH                        |
| 62             | 532 19 47-41    | Draglink, RH                        |
| 63             | 817 00 05-12    | Screw 5/16-18 x 3/4                 |
| 64             | 532 19 98-49    | Retainer Clip Spring Steering       |
| 66             | 871 02 07-48    | Bolt Hex Fghd 7/16-14 x 3 Serr      |
| 67             | 532 19 47-37    | Bushing PM Front Axle               |
| 68             | 873 90 07-00    | Nut Lock Flange 7/16-14 Gr. 5       |
| 69             | 532 19 91-62    | Washer 1.5 x .505 x .118            |
| 70             | 532 41 70-65    | Bracket Deck Susp. Front            |
| 71             | 532 19 07-52    | Shaft Extension Steering            |
| 72             | 532 42 89-82    | Bolt Fin Hex 5/16-18 x 4 w/Patch    |
| 74             | 532 12 49-37    | Bearing                             |
| 75             | 580 68 37-01    | Pinion                              |
| 76             | 580 68 36-01    | Screw Head Sock                     |
| 119            | 532 17 01-65    | Bolt Shoulder                       |
| 122            | 532 44 49-62    | Cap Gear                            |

**NOTE:** All component dimensions given in U.S. inches  
1 inch = 25.4 mm

TRACTOR--MODEL NO. M110-77T CLASSIC (96041040500), PROD. NO. 9604104-05  
MOWER DECK 44



tex-deck\_SRD\_72\_r1

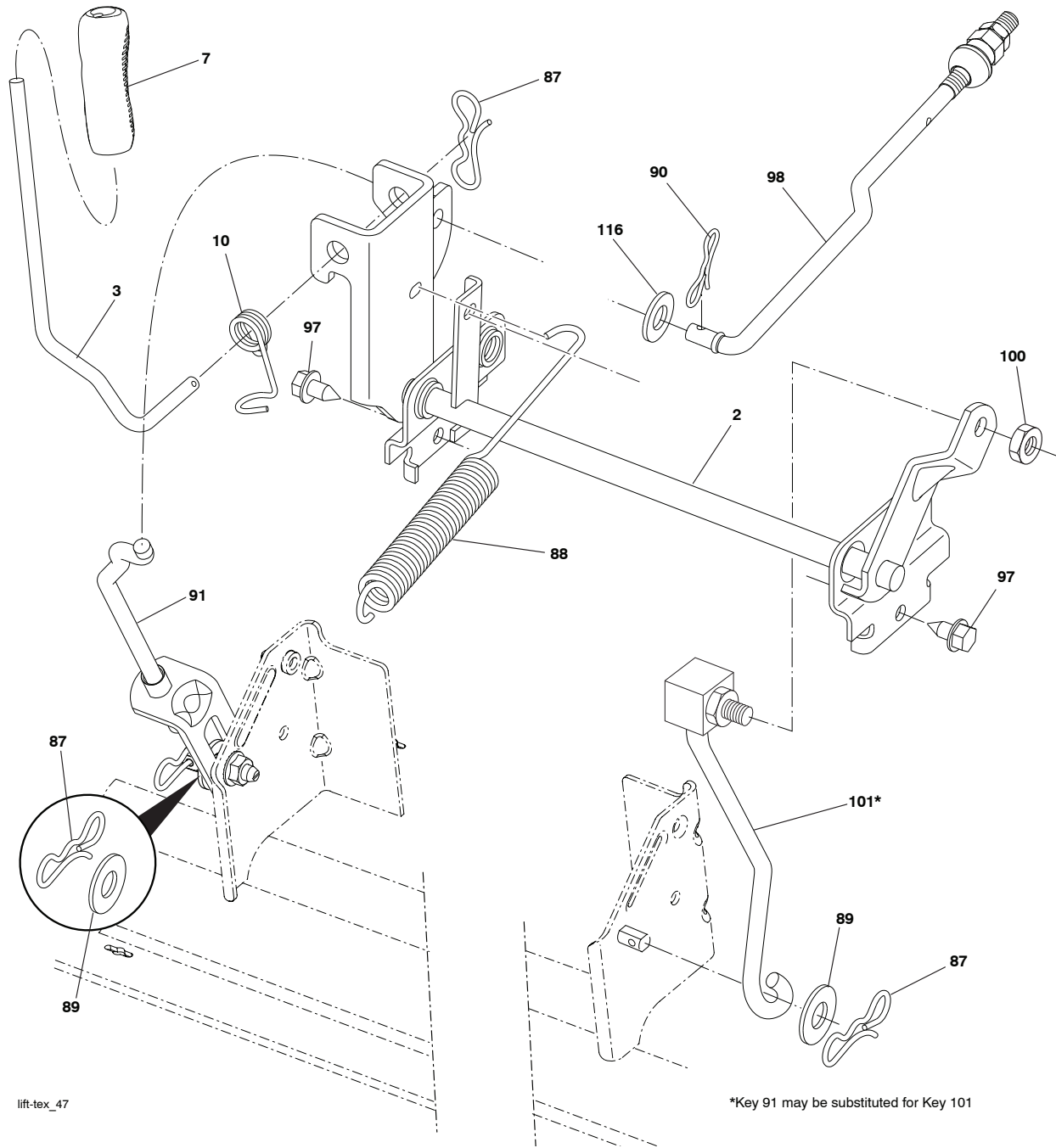
**TRACTOR--MODEL NO. M110-77T CLASSIC (96041040500), PROD. NO. 96041 04-05**  
**MOWER DECK 44**

| KEY NO. | PART NO.     | DESCRIPTION                         | KEY NO. | PART NO.     | DESCRIPTION   |
|---------|--------------|-------------------------------------|---------|--------------|---|
| 1       | 532 41 92-72 | Deck Weldment 30"SRD                | 35      | 532 41 92-73 | Blade Mower Hp/Mulch Srd  |
| 2       | 532 19 51-61 | Stud Fastner w/'D'anti-Rotatio      | 37      | 819 13 13-16 | Washer 13/32 x 13/16 x 16 Ga.   |
| 3       | 873 90 05-00 | Nut Lock Hex Flange 5/16 - 18       | 38      | 532 19 65-39 | Bolt Shoulder   |
| 4       | 532 41 76-45 | Bracket Clutch Cable                | 39      | 532 10 53-04 | Cap Sleeve  |
| 5       | 817 00 05-10 | Bolt 5/16-18                        | 40      | 532 41 92-70 | Keeper Belt Engine LH   |
| 6       | 532 41 88-63 | Arm Susp Mower Rear Srd             | 41      | 532 41 92-65 | Keeper Belt Engine RH   |
| 7       | 532 41 63-58 | Screw #10 x 0.750 BOS Thread        | 42      | 817 00 06-12 | ScrewHexwshTHDR3/8-16x3/4BL   |
| 8       | 532 42 02-52 | Arm Idler 30"Srd                    | 43      | 532 41 68-77 | Pulley Mandrel 6 5 Pd 30"   |
| 9       | 532 19 90-92 | Spacer Retainer                     | 67      | 532 40 30-12 | Handle ClutchCable  |
| 10      | 817 00 06-16 | Screw 3/8 - 16 X 1 Smgml Tap/R Blk  | 68      | 584 95 39-01 | Bolt Hex Wsh Hd .313-18 x 1.19  |
| 11      | 532 13 77-29 | Screw Thd Roll 1/4 - 20 X 5/8       | 69      | 584 30 93-01 | Screw Sems 7/16-20 x 1 Hex Hd.  |
| 12      | 532 19 94-70 | Arm Brake Mower 38" RH Tex          | 70      | 532 40 12-46 | Clutch Asm. Manual  |
| 13      | 872 11 06-12 | Bolt Carr Sh 3/8 - 16 X 1 - 1/2 Gr5 | 76      | 532 41 55-98 | Washout Port  |
| 14      | 532 15 60-85 | Keeper Belt Idler                   | 78      | 532 42 25-66 | Guard Deck SRD Arm Clutch   |
| 15      | 532 14 67-63 | Pulley Ikler V-Groove Dim 4.25      | 79      | 532 14 24-32 | Screw Hex Wsh. Hi Lo 1/4 x 1/2 unc  |
| 16      | 873 90 06-00 | Nut Lock FIG 3/8 - 16 unc           | 80      | 532 42 30-62 | Palnut 1/4  |
| 17      | 532 40 02-34 | Nut Flange Lock Top                 | 81      | 532 42 53-67 | Shield Asm. Suspension  |
| 19      | 585 32 39-01 | Bearing Ball Mandrel                | 83      | 532 43 03-15 | Shield Side LH  |
| 21      | 532 41 69-10 | Keeper Belt Mandrel 30"             | 152     | 532 43 51-11 | Manual Clutch Cable   |
| 22      | 532 19 31-98 | Pulley Idler Flat Unplated          | 251     | 532 43 60-87 | Kit Bungee (Includes Phillips head screw, weld nut, screw, bungee latch, and bungee strap)  |
| 23      | 817 49 06-28 | Screw Thdrol 3/8 - 16 X 1-3/4       | --      | 587 25 33-01 | Mandrel Assembly (Includes housing (key #33), shaft assembly (key #34), and bearing (key #19) only - pulley/nut/washer and blade bolt/washers not included) |
| 24      | 819 13 20-12 | Washer 13/32 X 1 - 1/4 X 12 Ga      | --      | 532 43 19-58 | Replacement Mower Complete  |
| 25      | 532 42 02-53 | Keeper Belt 30"Srd                  |         |              |   |
| 26      | 532 42 02-55 | Cover Mandrel Mwr 30"Black          |         |              |   |
| 27      | 532 41 92-71 | V-Belt Drive                        |         |              |   |
| 28      | 532 41 73-44 | Shield Asm Deflect Mwr              |         |              |   |
| 29      | 532 42 08-95 | Pin Hinge 30                        |         |              |   |
| 30      | 532 19 70-26 | Spring Torsion Dfl 38/42/46 Gr      |         |              |   |
| 31      | 532 11 04-52 | Nut Push Phos & Oil                 |         |              |   |
| 32      | 532 40 18-72 | Spring Return Deck 38/46"           |         |              |   |
| 33      | 532 18 72-81 | Housing Mandrel 4pt Service         |         |              |   |
| 34      | 587 25 65-01 | Shaft Asm Mndrl N/Greaseable38      |         |              |   |

**NOTE:** All component dimensions given in U.S. inches  
1 inch = 25.4 mm



**TRACTOR--MODEL NO. M110-77T CLASSIC (96041040500), PROD. NO. 9604104-05**  
**MOWER LIFT 45**



lift-tex\_47

\*Key 91 may be substituted for Key 101

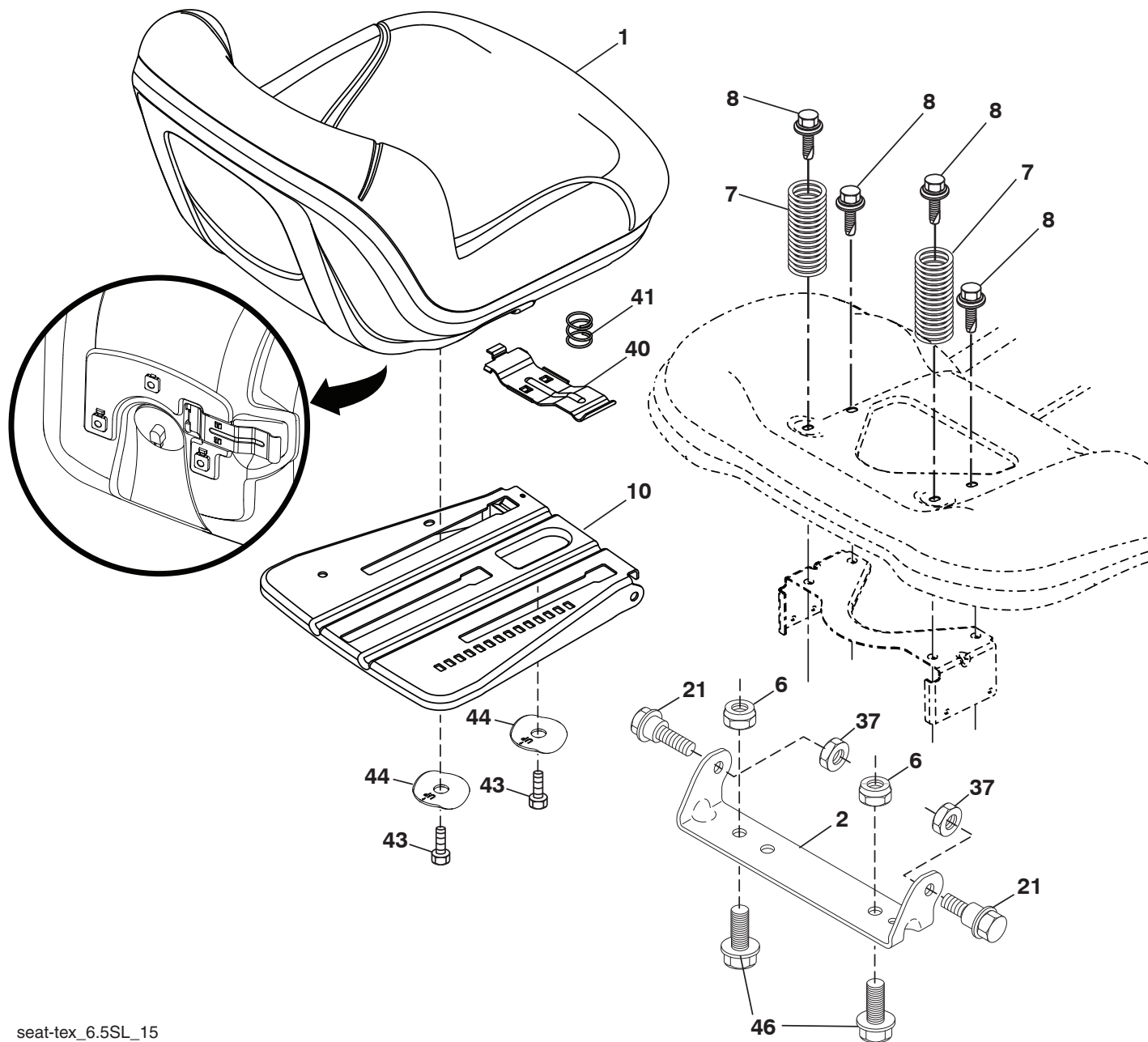
| KEY NO. | PART NO.     | DESCRIPTION                  |
|---------|--------------|------------------------------|
| 2       | 532 42 20-27 | Shaft Asm., Lift             |
| 3       | 532 19 52-31 | Lever Asm., Lift RH          |
| 7       | 580 96 23-01 | Grip, Lever                  |
| 10      | 532 19 63-14 | Spring Torsion               |
| 87      | 532 19 42-09 | Pin Cotter 7/16 Bow Tie Lock |
| 88      | 532 41 07-10 | Spring Lift Assist           |
| 89      | 819 19 19-12 | Washer Clear                 |
| 90      | 532 19 42-08 | Pin Cotter 5/16 Bow Tie Lock |
| 91      | 532 19 51-81 | Link Asm Lift LH Rear        |

| KEY NO. | PART NO.     | DESCRIPTION                      |
|---------|--------------|----------------------------------|
| 97      | 817 00 06-12 | Screw Hex Wsh. THDR 3/8-16 x 3/4 |
| 98      | 532 19 52-64 | Link Lift Susp. Front Mower      |
| 100     | 873 93 06-00 | Nut Centerlock 3/8-16 unc        |
| 101     | 532 40 70-03 | Link Asm Lift FXD                |
| 116     | 819 15 15-16 | Washer 15/32 x 15/16 x 16 Ga.    |

**NOTE:** All component dimensions given in U.S. inches  
 1 inch = 25.4 mm



**TRACTOR--MODEL NO. M110-77T CLASSIC (96041040500), PROD. NO. 96041 04-05  
SEAT ASSEMBLY 42**



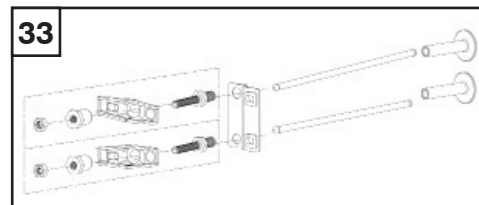
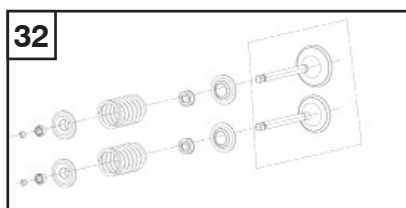
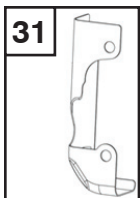
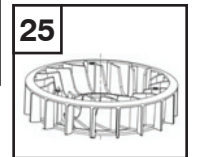
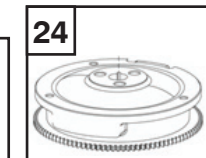
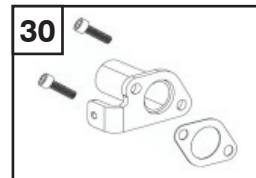
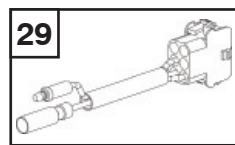
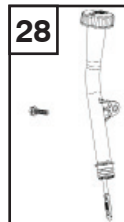
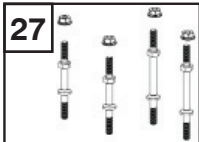
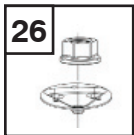
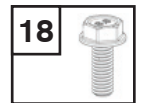
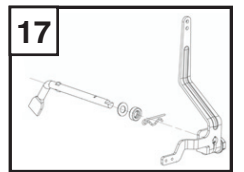
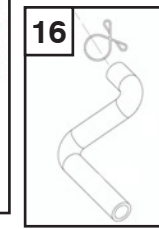
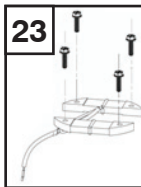
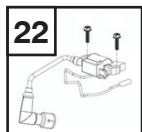
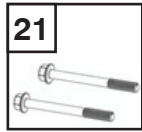
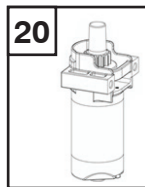
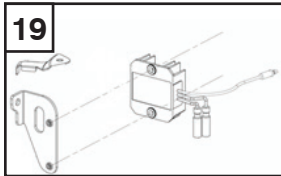
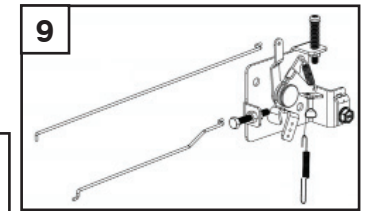
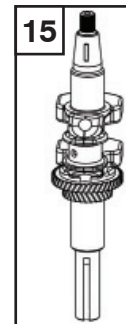
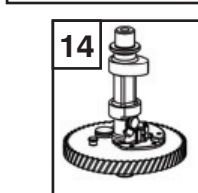
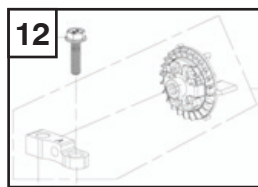
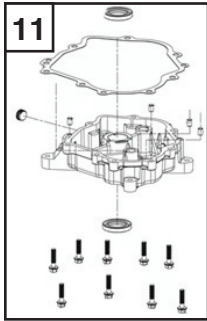
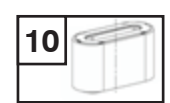
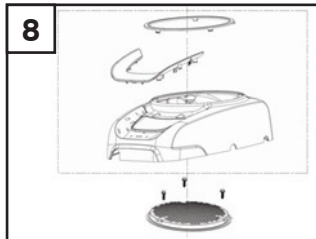
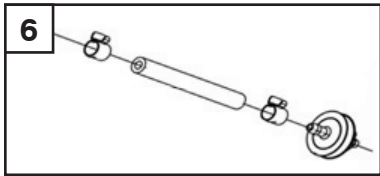
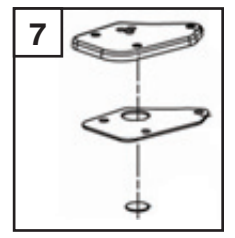
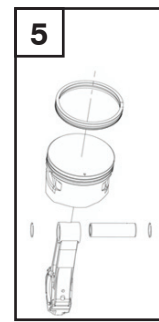
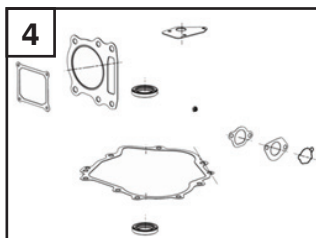
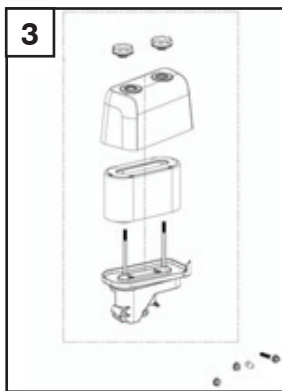
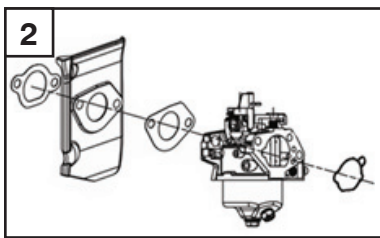
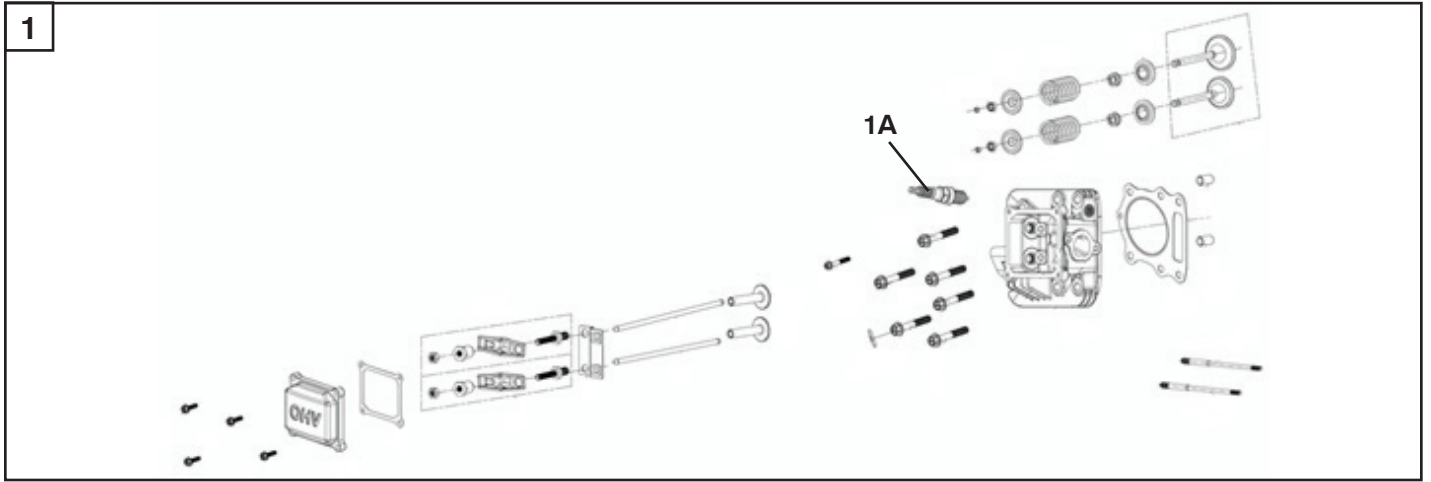
seat-tex\_6.5SL\_15

| KEY NO. | PART NO.     | DESCRIPTION                   |
|---------|--------------|-------------------------------|
| 1       | 581 46 20-01 | Seat                          |
| 2       | 532 18 01-66 | Bracket Pivot Fender          |
| 6       | 873 80 06-00 | Nut, Lock w/Ins. 3/8-16 unc   |
| 7       | 589 48 35-01 | Spring, Seat Cprsn            |
| 8       | 532 17 18-77 | Bolt 5/16-18 unc x 3/4 w/Sems |
| 10      | 587 23 20-02 | Pan, Seat                     |
| 21      | 587 90 78-01 | Bolt, Shoulder 5/16-18 x 5/8  |
| 37      | 873 80 05-00 | Nut, Lock 5/16-18 unc         |
| 40      | 532 19 76-61 | Handle Slide Seat             |

| KEY NO. | PART NO.     | DESCRIPTION                   |
|---------|--------------|-------------------------------|
| 41      | 532 19 82-00 | Spring Latch Seat             |
| 43      | 874 76 06-12 | Bolt Fin Hex 3/8-16 unc x 3/4 |
| 44      | 501 05 18-01 | Washer Winged                 |
| 46      | 588 09 04-01 | Bolt 3/8-16 x 1; 1.25 OD Wshr |

**NOTE:** All component dimensions given in U.S. inches  
1 inch = 25.4 mm

**TRACTOR--MODEL NO. M110-77T CLASSIC (96041040500), PROD. NO. 96041 04-05  
ENGINE (352 CC)**



**TRACTOR--MODEL NO. M110-77T CLASSIC (96041040500), PROD. NO. 96041 04-05  
ENGINE (352 CC)**

| <b>ITEM NO.</b> | <b>PART NO.</b> | <b>DESCRIPTION</b>                                     | <b>QTY.</b> |
|-----------------|-----------------|--|-------------|
| 1               | 590903601       | CYLINDER HEAD COMP KIT                                 | 1           |
| 1A              | 591165501       | SPARK PLUG   | 1           |
| 2               | 590903701       | CARBURETOR KIT   | 1           |
| 3               | 590903901       | AIR CLEANER KIT  | 1           |
| 4               | 590904201       | GASKET AND SEAL KIT                                    | 1           |
| 5               | 590904301       | PISTON AND RING SET,PISTON KIT                         | 1           |
| 6               | 590904401       | FUEL SYSTEM KIT  | 1           |
| 7               | 590904701       | COVER COMP BREATHER AND VALVE,<br>BREATHER CHAMBER KIT | 1           |
| 8               | 590904801       | START COVER KIT  | 1           |
| 9               | 590966001       | THROTTLE AND CHOKE ROD KIT                             | 1           |
| 10              | 590970601       | AIR FILTER   | 1           |
| 11              | 590967901       | CRANKCASE COVER KIT                                    | 1           |
| 12              | 590968001       | GOVENOR GEAR KIT                                       | 1           |
| 13              | 590968101       | BALANCING SHAFT KIT                                    | 1           |
| 14              | 590968201       | CAMSHAFT   | 1           |
| 15              | 590968301       | CRANKSHAFT   | 1           |
| 16              | 590968401       | BREATHER TUBE KIT                                      | 1           |
| 17              | 591165601       | SPEED REGULATING ARM KIT                               | 1           |
| 18              | 590968601       | HEXAGON BOLT WITH FLANGE                               | 1           |
| 19              | 590968801       | VOLTAGE REGULATOR KIT                                  | 1           |
| 20              | 590968901       | STARTER MOTOR KIT                                      | 1           |
| 21              | 592951201       | STARTER MOTOR BOLTS                                    | 1           |
| 22              | 590969001       | IGNITION COIL KIT                                      | 1           |
| 23              | 590969101       | CHARGING ARMATURE KIT                                  | 1           |
| 24              | 590969201       | FLYWHEEL KIT   | 1           |
| 25              | 590969901       | IMPELLER KIT   | 1           |
| 26              | 590969601       | STARTING DISC KIT                                      | 1           |
| 27              | 590969701       | STUD KIT   | 1           |
| 28              | 590969801       | FILL TUBE KIT  | 1           |
| 29              | 590970001       | CONNECTING WIRE  | 1           |
| 30              | 590970101       | EXHAUST PIPE KIT                                       | 1           |
| 31              | 590970201       | AIR DEFLECTOR  | 1           |
| 32              | 590970301       | VALVE KIT  | 1           |
| 33              | 590970401       | ROCKER ARM KIT   | 1           |

