

## SERVICE BULLETIN

<input checked="" type="checkbox"/>	Action Required (Units Not Sold)
<input checked="" type="checkbox"/>	Only If Encountered (Sold Units)
<input type="checkbox"/>	Information Only

**To:** All Dealers and Customers  
**Bulletin Number:** B170020A-11  
**Date:** 13-Apr-2017, Rev B  
**Brands:** McCulloch  
**Product:** Rear Discharge and Side Discharge Tractors  
**Dates Produced:** 30-Nov-2016 to 10-Mar-2017  
**Affected Market(s):** Europe

### Description/Background:

In full rotation of the steering, there may be contact between the front tire and engine pulley cover.

### Action Required:

- For affected units in your inventory, service is required.
- For affected units sold to a consumer, service is required only if the issue is encountered.
- Service includes one of these three options:
  - Option 1: If new part is included inside crate, replace with new. See page 2 of 3.
  - Option 2: If new part is not included, current part may be trimmed. See page 3 of 3.
  - Option 3: If new part is not included and trim option is not selected, order new part and replace old with new. See page 2 of 3.
- Normal warranty applies.

### Warranty Reporting:

Must perform service through Husqvarna's warranty process using only this information:

- Component code: **571 – Cover**
- Defect code: **92 – Part exchanged on request by Husqvarna**
- Warranty type:
  - If not yet sold to consumer, must use **04 – requested by factory**
  - If sold to consumer, must use **1 – warranty**
- Time Units:
  - Options 1 and 3: **5 units (30 minutes)**
  - Option 2: **8 units (48 minutes)**

### Models Affected and Parts Ordering Information:

Brand	Model Number	Model Name	Old Part	New Part
MCCULLOCH	960410376	M115-97T	587179501	587179505
MCCULLOCH	960410377	M145-97T	587179501	587179505
MCCULLOCH	960410378	M185-107T	587179501	587179505
MCCULLOCH	960410381	M125-97T POWERDRIVE	587179501	587179505
MCCULLOCH	960410382	M145-107T POWERDRIVE	587179501	587179505
MCCULLOCH	960410392	M200-117T POWERDRIVE	587179503	587179507
MCCULLOCH	960510132	M115-97TC	587179502	587179506
MCCULLOCH	960510149	M125-97TC POWERDRIVE	587179502	587179506
MCCULLOCH	960510150	M145-97TC POWERDRIVE	587179502	587179506
MCCULLOCH	960510151	M155-107TC POWERDRIVE	587179502	587179506
MCCULLOCH	960510152	M185-107TC POWERDRIVE	587179502	587179506
MCCULLOCH	960510153	M200-107TC POWERDRIVE	587179502	587179506

### Affected Serial Number Range:

113016A00XXXX to 031017A00XXXX; or 113016D00XXXX to 031017D00XXXX

Please note models within this serial range that have a **green “O.K.” sticker with “17-04”** on the outer carton were corrected prior to shipping and **do not require this service.**

### If you have questions, contact us.

Husqvarna Dealers call 1-800-448-7543

All other customers call 1-800-487-5951

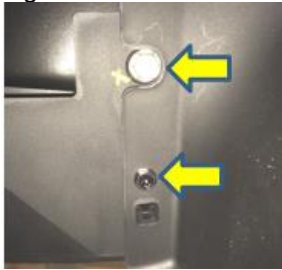
## Options 1 and 3: Replacing Old With New

### Tools required:

13mm socket, 10mm socket, ratchet, pliers (optional)

**Step 1.** At front of tractor remove two screws using 13mm & 10mm sockets and ratchet on both sides. See Figure 1.

Figure 1.



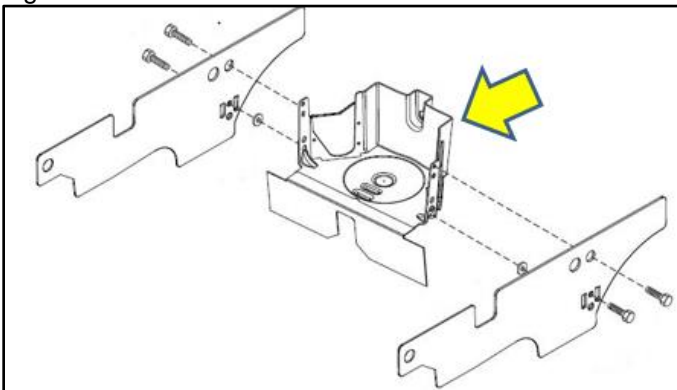
**Step 2.** Remove (1) locking pin from front mower deck lift. See Figure 2 for pin location.

Figure 2.



**Step 3.** Remove and replace engine cover using original hardware. See Figure 3.

Figure 3.



## Option 2: Trimming Part

### **Tools required:**

13mm socket, 10mm socket, ratchet, pliers (optional), bladed tool capable of cutting plastic

**Directions:** Mark and trim engine cover as shown in Figure 1 below. Be careful not to damage adjacent walls of cover.

Figure 1.

