



# IPL

## CHAIN SAWS

CS35, 967624614, 967624616, 2016-08

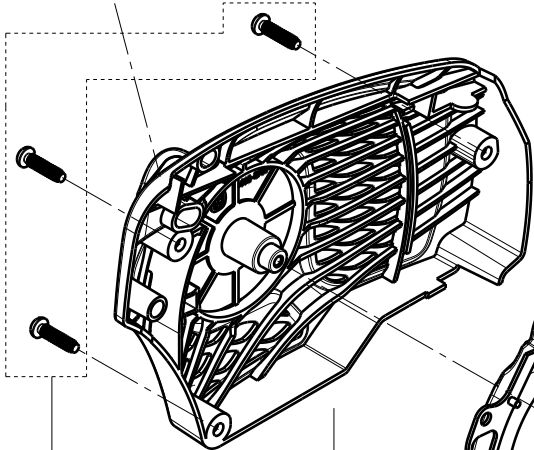
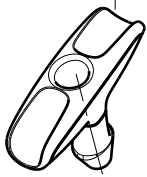
## Revision Note

item	Page	description	Revision
1		combine 14"normal start & 16" normal start	
2	Page 0	-Remove Emission decal -Item no. change accordingly	
3	Page 0	- change warning decal from revision A to revision B	
4	Page E	- Remove the spark plug	
5	Page N	- add one item to combine 14" & 16" bar guard on one page	
6	Page N	- Remove the 14" & 16" Bars	
7	Page N	- Remove the 14" & 16" Chains	
8	Page N	Add Bars and Chains	
9		Add a cover	
10	Page N	Link the 14"bar guard and 16" bar guard with respective correct 3D drawing	
11	Page o	Update warning decal from revision B to revision C	A.011
12	Page E	1>.Change cylinder ass'y kit into assembled cylinder ass'y,add cylinder and piston kit; 2>.Delete Scavenge cover clutch side ass'y and Scavenge cover flywheel side ass'y; 3>.Add Piston ring kit.	A.012
13	Page F	Add Oil pump kit and Cover lid kit	A.012
14	Page H	Change the Piston and Crankshaft ass'y into Crankshaft kit: 1>.Remove Piston ass'y,Circlip,Piston pin from Page H, 2>.Add Seal ring and Seal ring,bearing.	A.012
15	Page J	1>.Add Screw(574731101); 2>.Remove the Piston ass'y from the illustration picture on the left top side.	A.012

## Revision Note

item	Part	description	Revision
16	Page K	Change the Bracket's article number from "586098601" to "574730701";	A.012
17	Page J	Update the article number of "Bolt" "Connector" "Oil pressure hose"	A.012
18	Page M	The article number of front Handle changed from 574227402 to 574227404.	A.012
19	Page K	Remove the article number of the Bracket.	A.012
20	Page E	Remove the article number of Cylinder ass'y	A.013
21	Page C	Remove the kit 23 knob assy with washer (582493501) and the washer (582084701)	A.013
22	Page F	Change 574224901 ( needle bearing ) to Z331051310	A.015

2



3

5

6

4

6

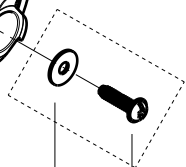
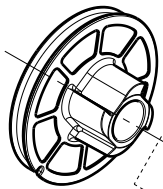
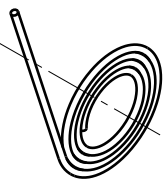
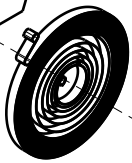
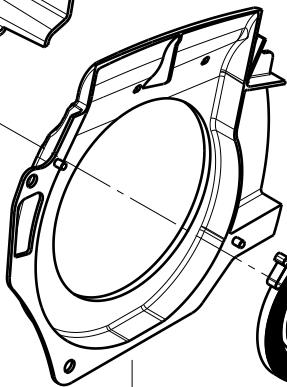
7

8

9

10

11



12

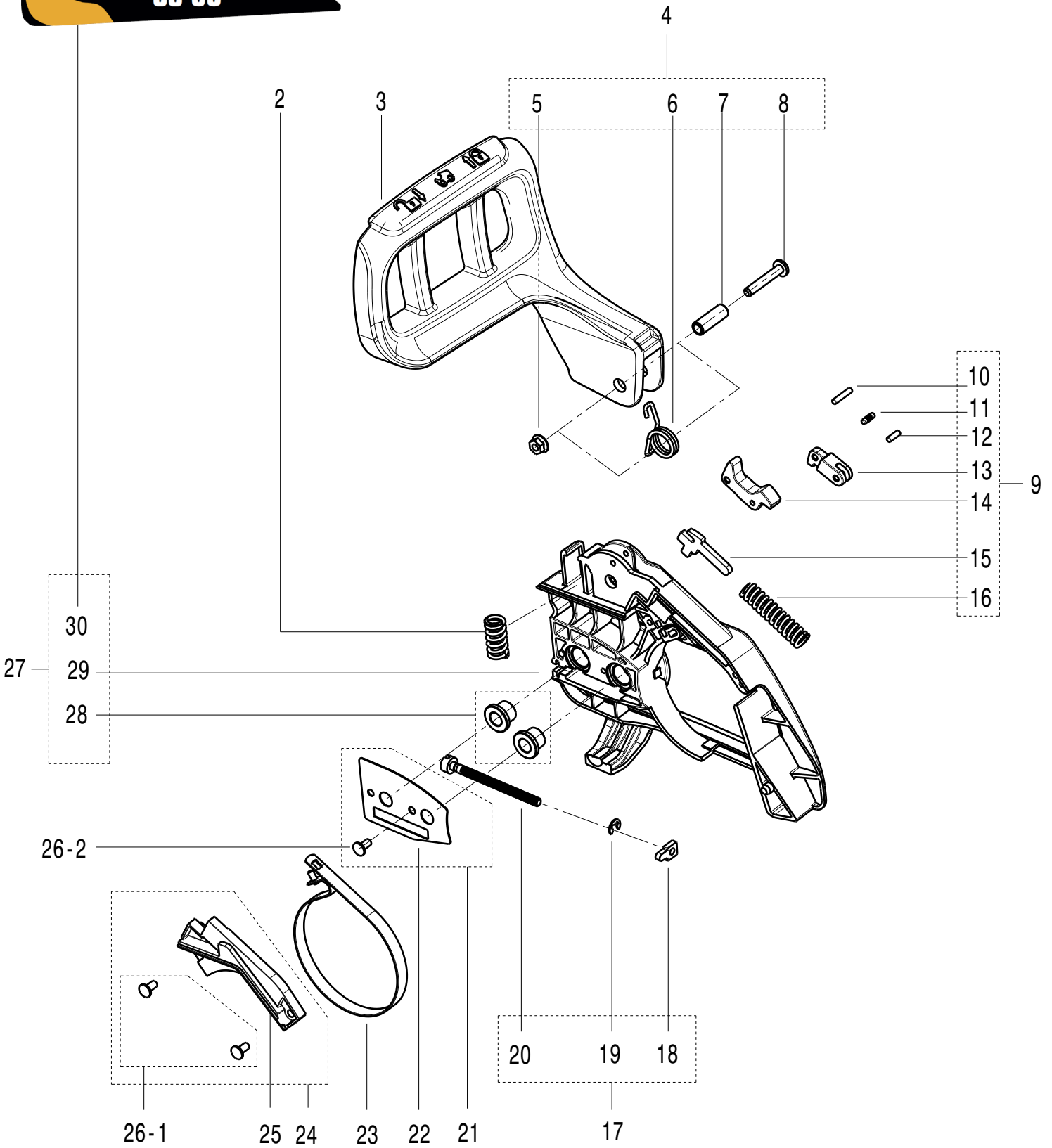
13



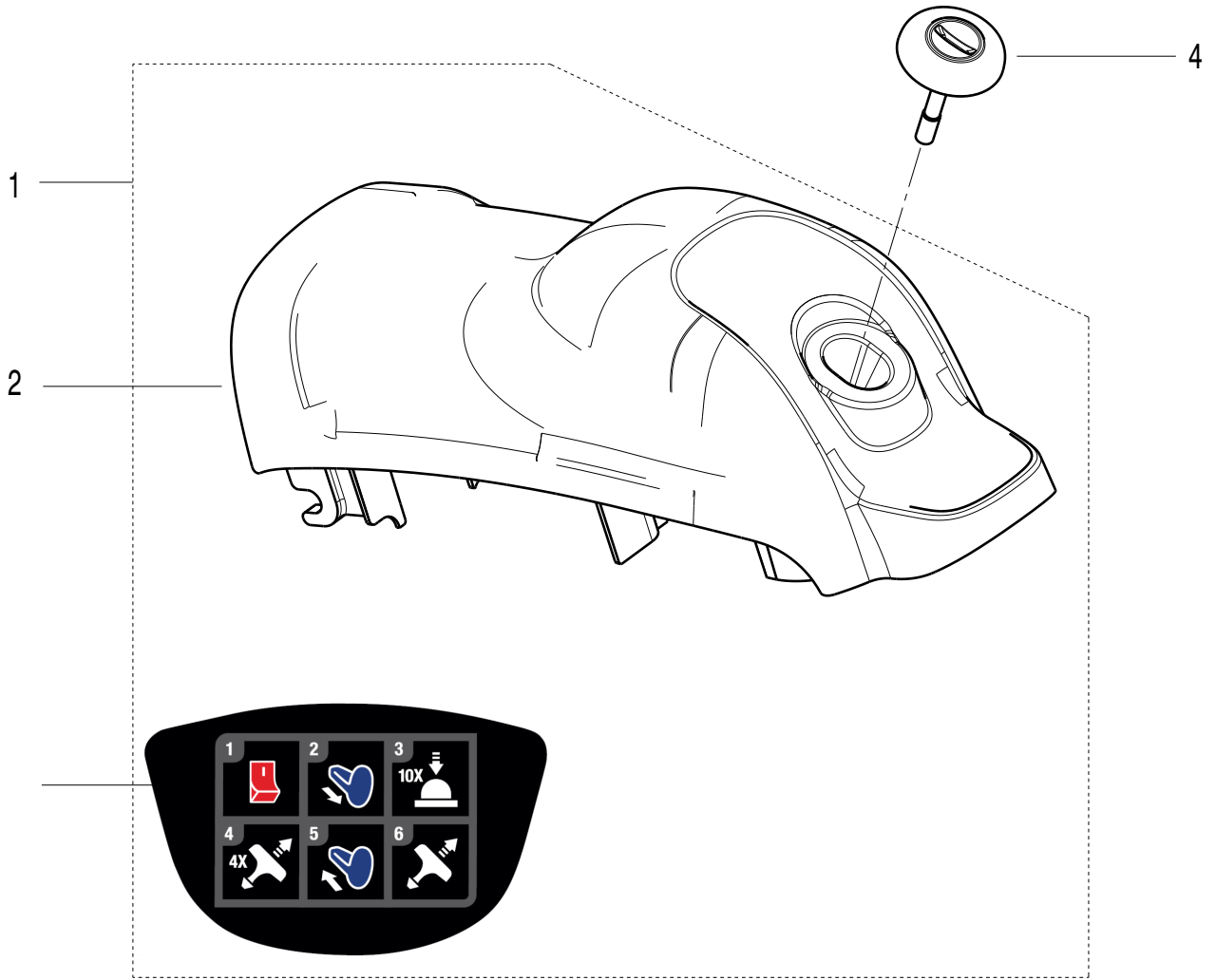
## STARTER HOUSING

Positon	Article	Quantity	Description	Kit
1	582839401	1	Starter Assy & Label kit	x
2		1	Starter Handle	
3		3	Screw	
4	582839501	1	Starter housing & Label kit	x
5		1	Starter housing	
6		1	Brand decal starter	
7		1	Baffle	
8		1	spring	
9		1	Rope	
10		1	Pulley	
11	582618501	1	Pulley fixing assy	x
12		1	Washer	
13		1	Screw	

1

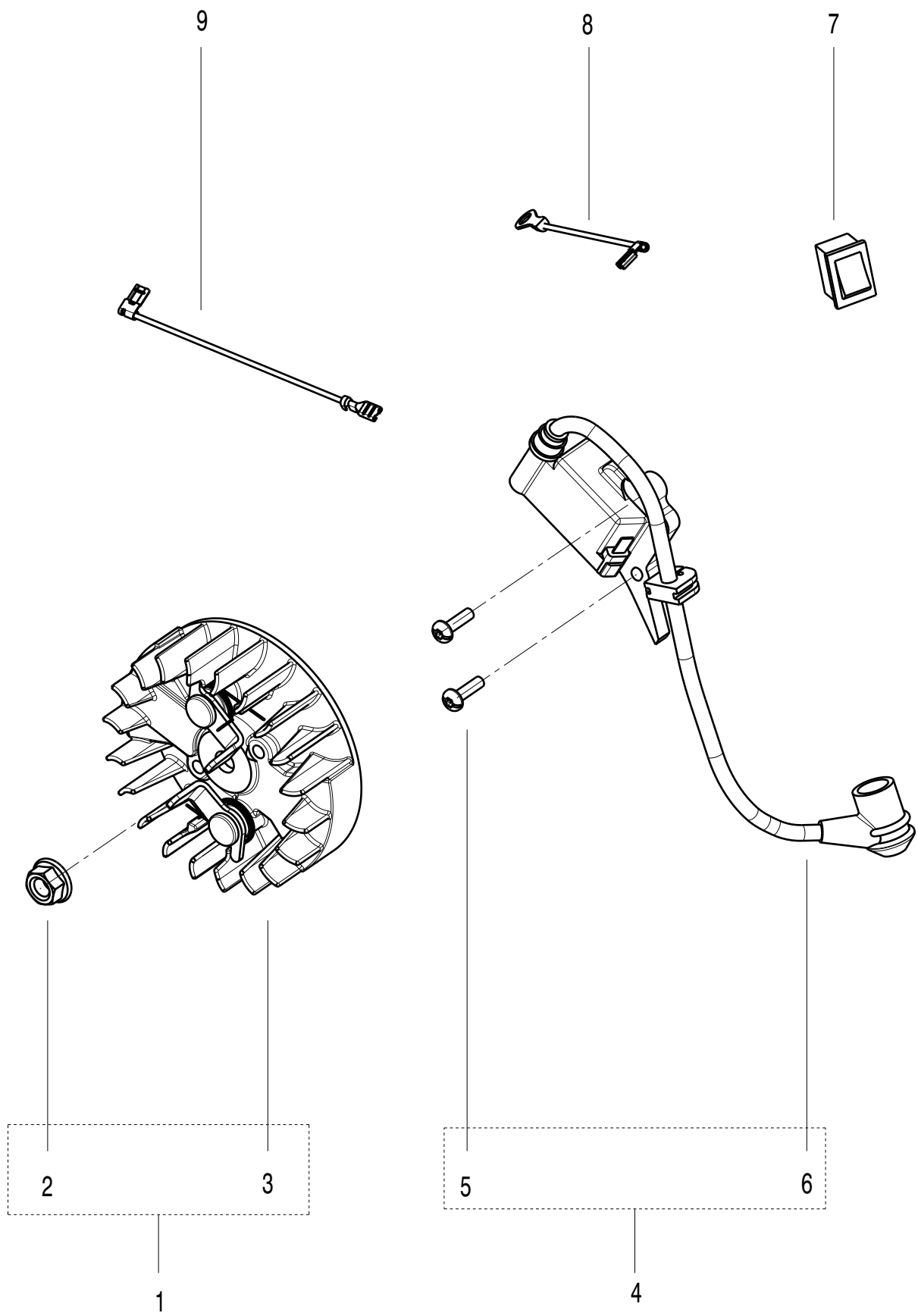


Positon	Article	Quantity	Description	Kit
1	582839901	1	Chain brake Assy & Label kit	x
2		1	Spring	
3		1	Hand guard	
4	582610101	1	Hand guard pivot assy	x
5		1	Nut	
6		1	Spring	
7		1	Bushing	
8		1	Screw	
9	589536901	1	Brake band and activator assy	x
10		1	Pin	
11		1	Pin	
12		1	Pin	
13		1	Lever	
14		1	Lever	
15		1	Slide block	
16		1	Spring	
17	582610401	1	Chain tension assy	x
18		1	Pin	
19		1	E clip	
20		1	Screw	
21	582610301	1	Plate assy	x
22		1	Gasket plate	
26-2		1	Screw	
23		1	Steel belt	
24	582610501	1	Dust cap assy	x
25		1	Dust cap	
26-1		2	Screw	
27	582840001	1	Clutch cover assy & Label kit	x
28		2	Bushing	
29		1	Clutch cover	
30		1	Brand decal CS 35	

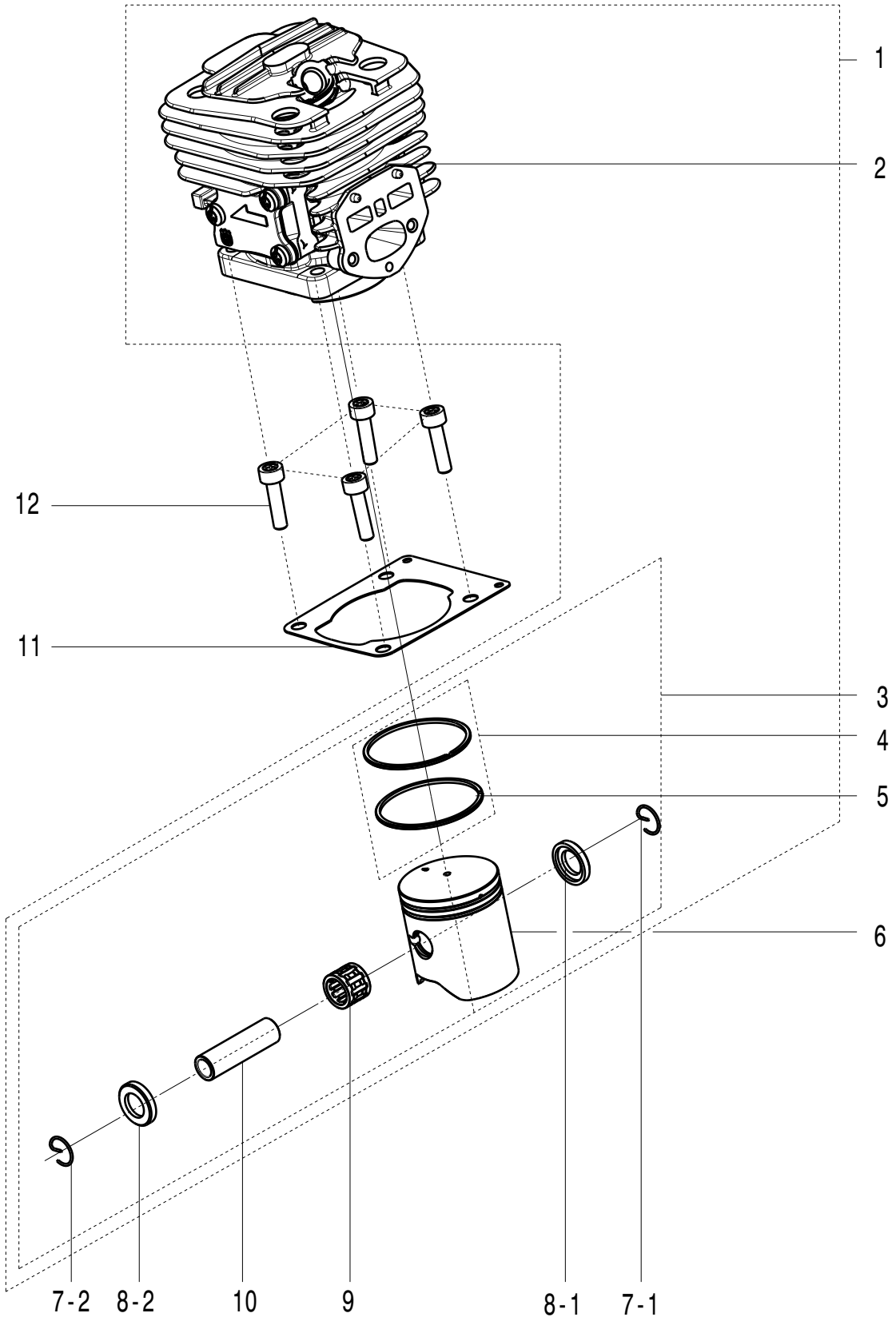




Positon	Article	Quantity	Description	Kit
1	582840301	1	Cylinder cover & label assy	x
2		1	Cylinder cover	
3		1	Start reminder decal	
4	582493401	1	Knob assy	



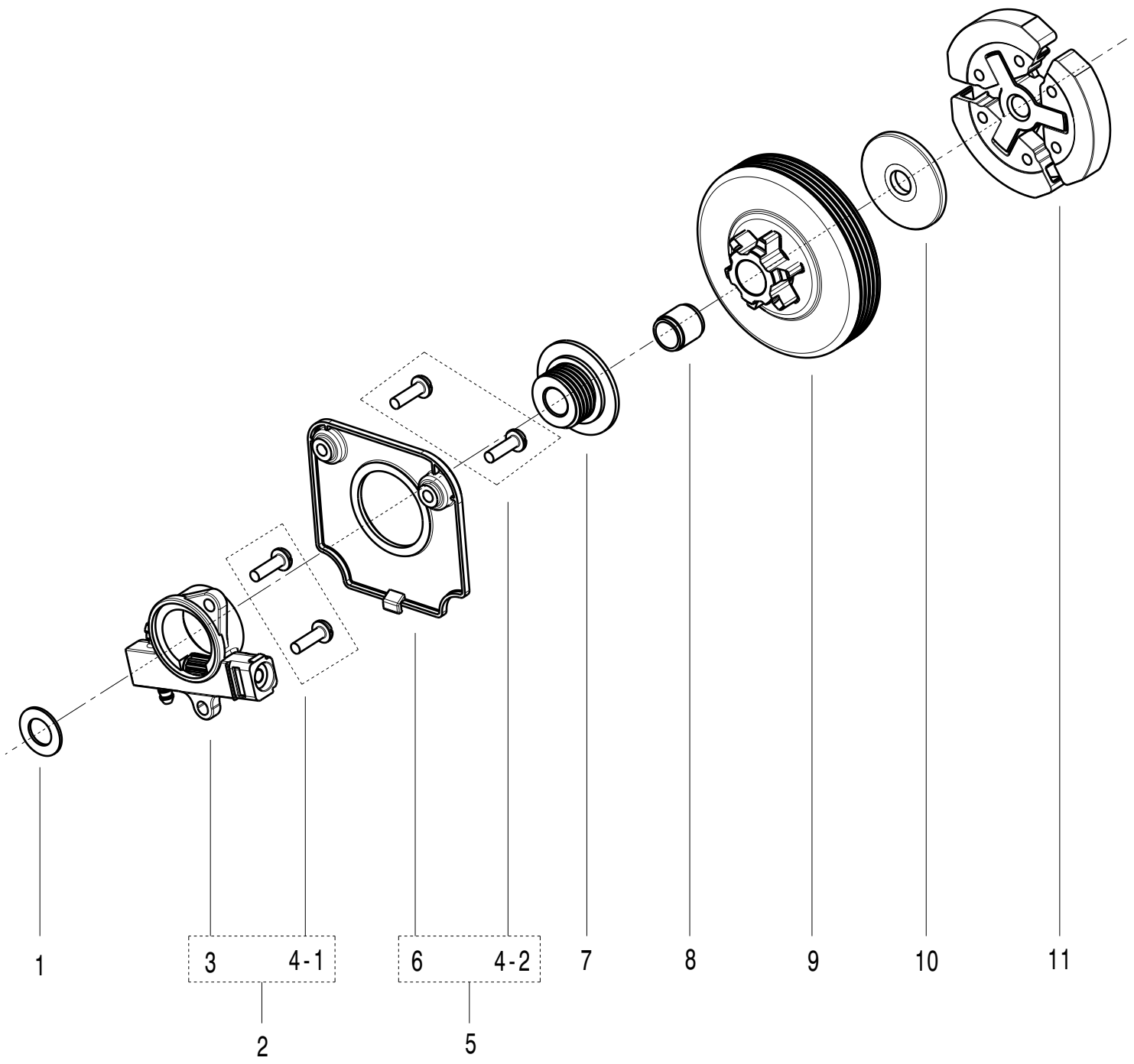
Positon	Article	Quantity	Description	Kit
1	582618101	1	Flywheel assy	x
2		1	Nut	
3		1	Flywheel	
4	582618201	1	Ignition Module assy	x
5		2	Screw Ignition	
6		1	Ignition Module	
7	574226401	1	Switch	
8	574727201	1	Wire harness	
9	574223101	1	Wire harness	



## Cylinder Piston

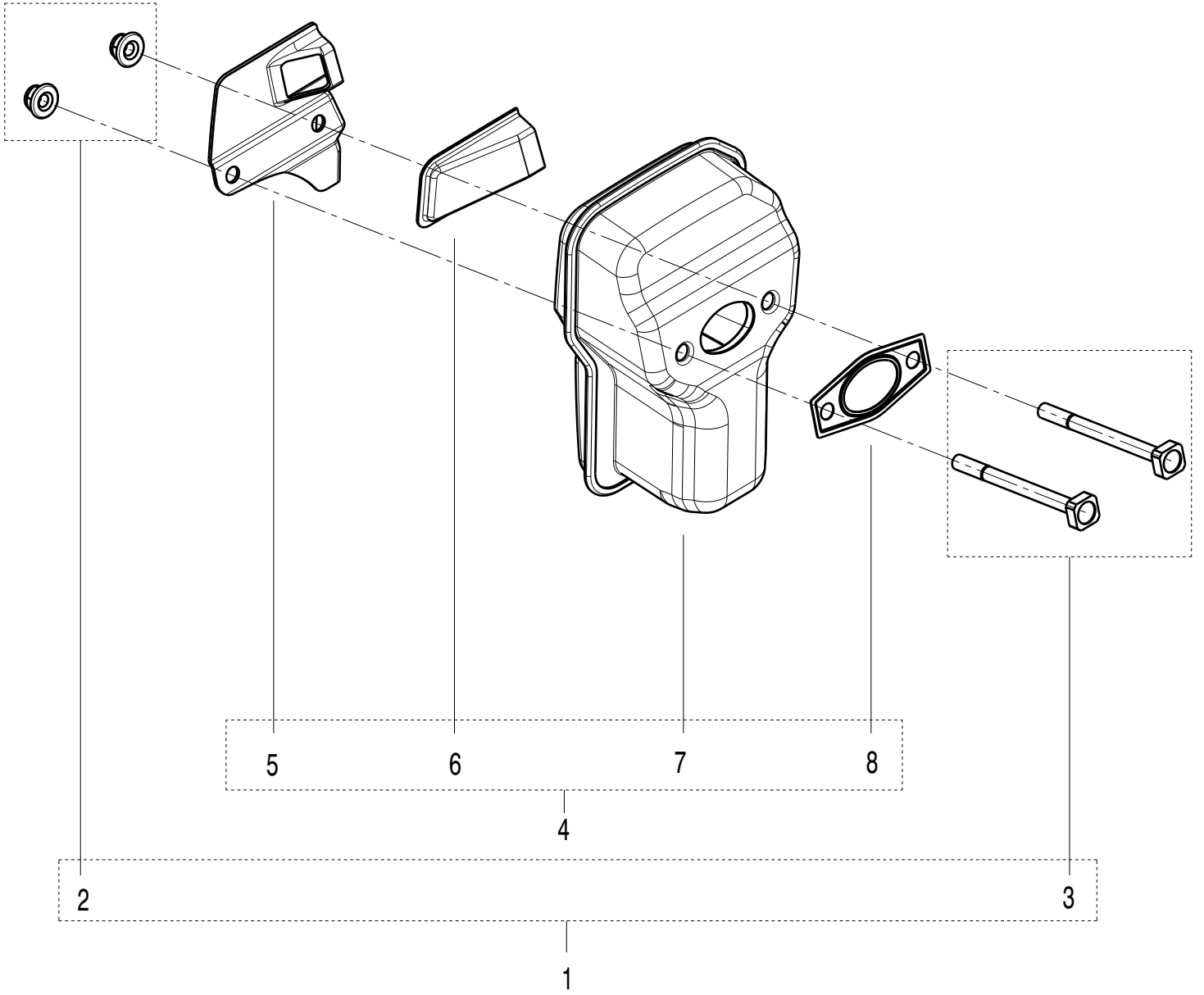
Position	Article	Quantity	Description	Kit
1	582630002	1	Cylinder and Piston Kit	X
2		1	Cylinder ass'y	
3	582628701	1	Piston Kit	X
4	582628801	1	Piston ring Kit	X
5		2	Piston ring	
6		1	Piston	
7		2	Circlip	
8		2	Washer piston	
9	574725701	1	Needle bearing	
10		1	Piston pin	

11	574222001	1	Gasket cylinder	
12	584955901	4	Screw cylinder	



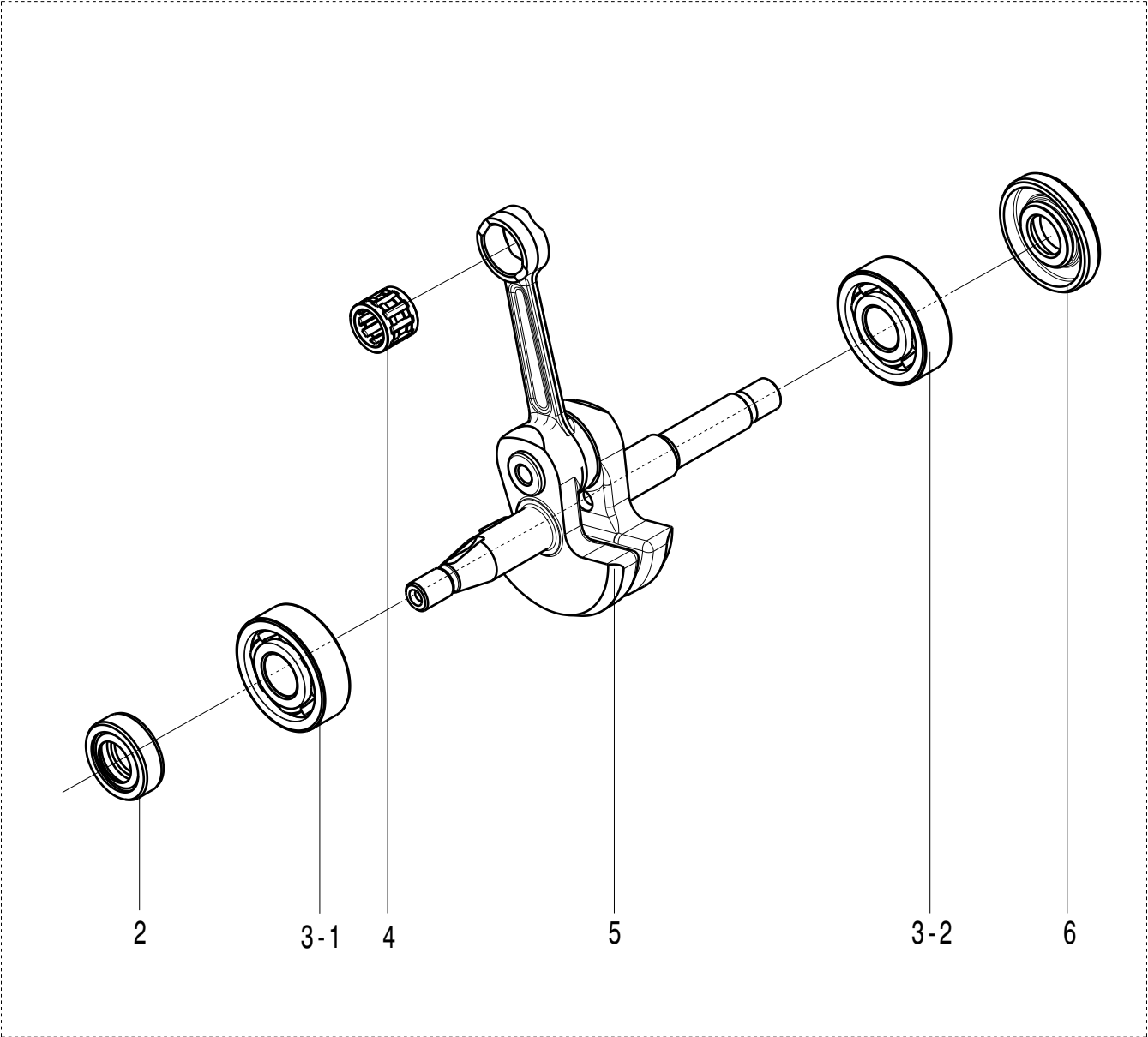
## Oil Pump Assy

Positon	Article	Quantity	Description	Kit
1	574224401	1	Washer	
2	589404401	1	Oil pump kit	X
3		1	Oil pump	
4-1	574221302	2	Screw	
5	589404601	1	Cover lid kit	X
6		1	cover lid	
4-2	574221302	2	Screw	
7	574224801	1	Pump pinion	
8	574718501	1	Clutch drum ass'y	
9	Z331051310	1	Neeble bearing	
10	574225101	1	Washer	
11	574225201	1	Clutch ass'y	



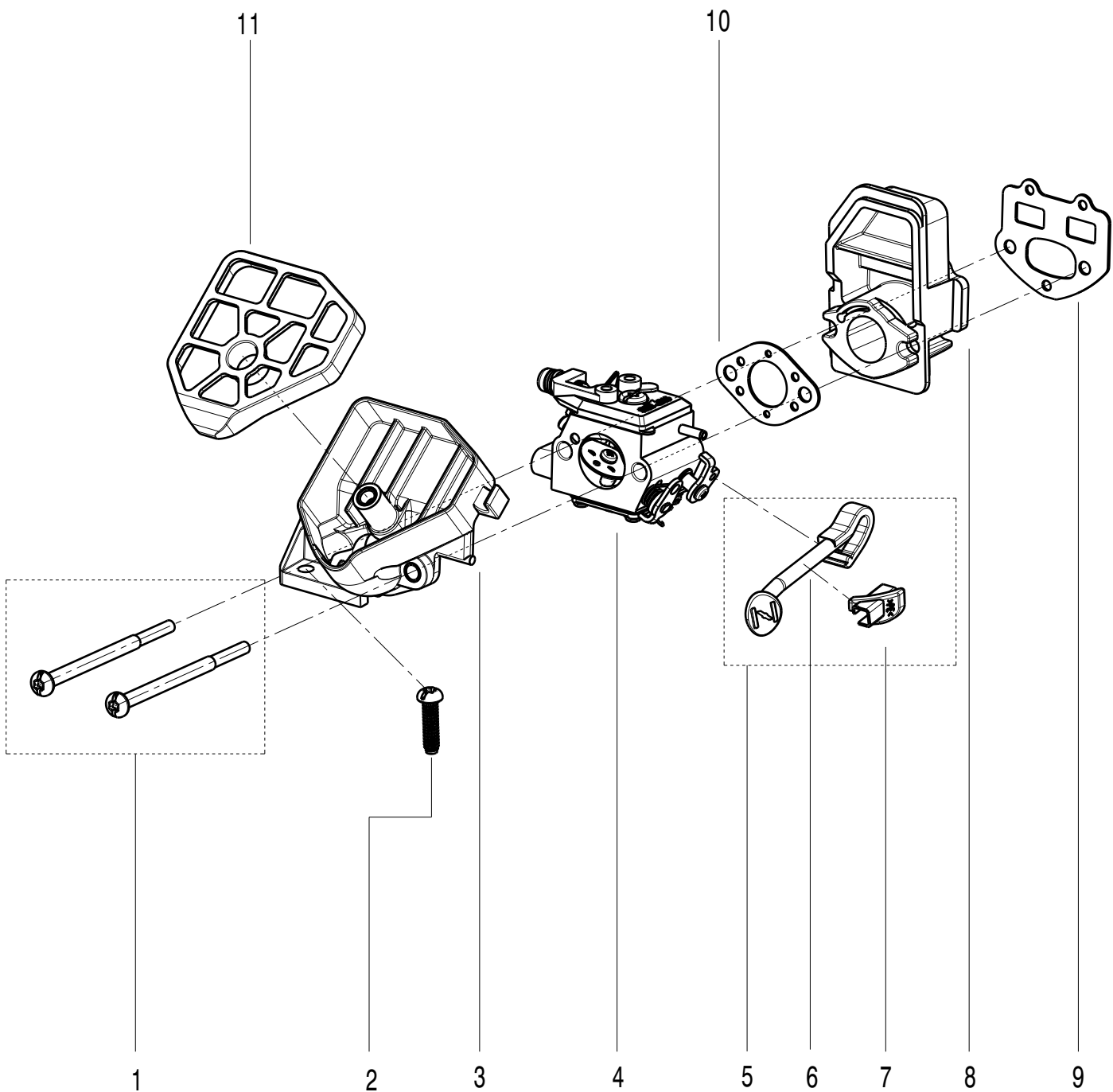


Positon	Article	Quantity	Description	Kit
1	582630101	1	Fixing assy	x
2		2	Lock Nut	
3		2	Screw	
4	582630401	1	Muffler assy	x
5		1	thermal baffle	
6		1	Spark arrestor	
7		1	Muffler	
8		1	Gasket Muffler	

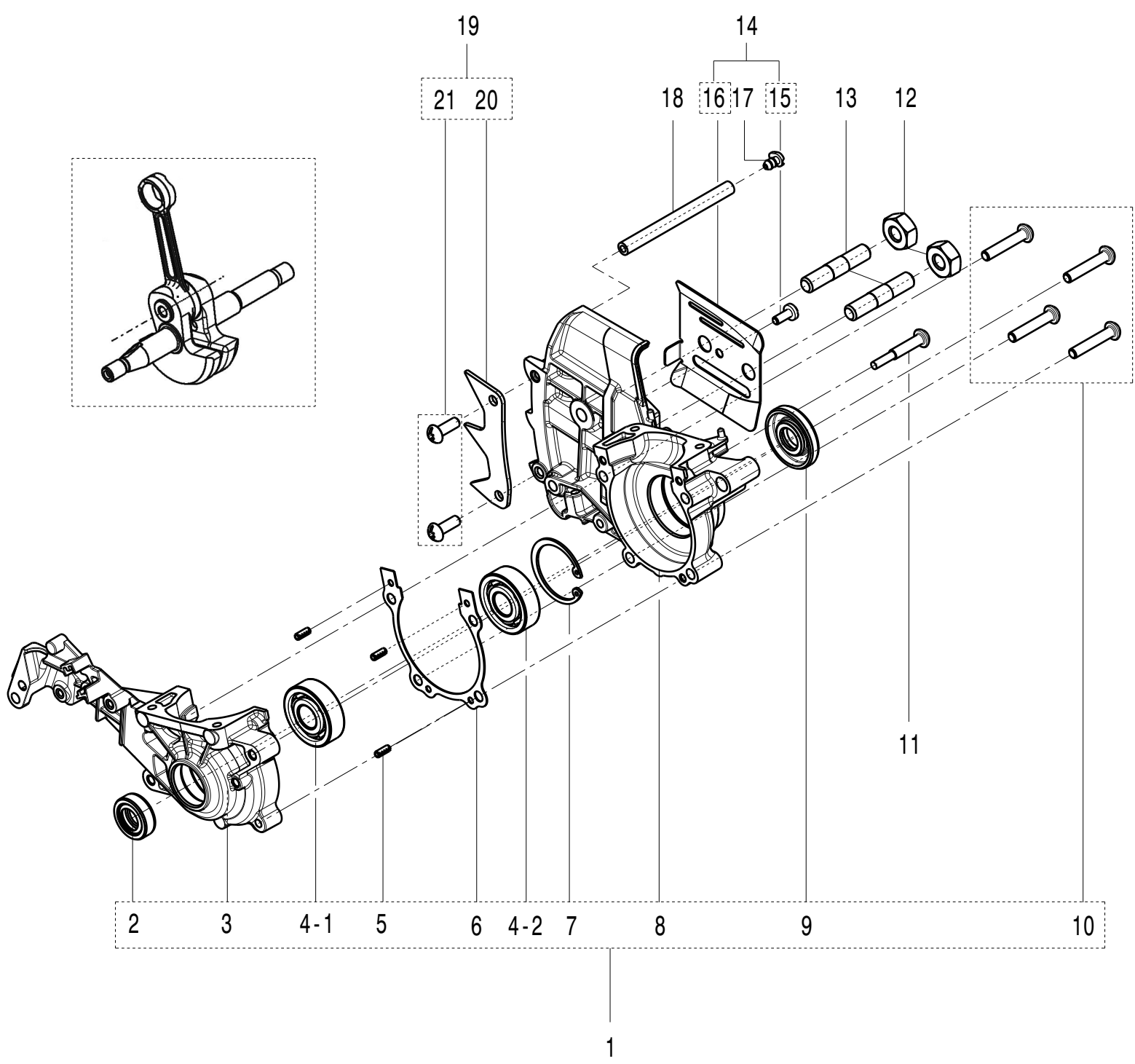


1

Positon	Article	Quantity	Description	Kit
1	582629101	1	Crankshaft kit	X
2		1	Seal ring	
3		2	Bearing	
4	574725701	1	Needle bearing	
5		1	Crankshaft	
6		1	Seal ring,bearing	



Positon	Article	Quantity	Description	Kit
1	574729901	2	Screw Carburettor	
2	574223901	1	Screw	
3	574729701	1	Airbox	
4	581302404	1	Carburettor	
5	582493201	1	Choke Assy HVA Blue	x
6		1	Choke	
7		1	Holder Choke	
8	574728201	1	Adapter	
9	574223501	1	Gasket adpater	
10	574223601	1	Gasket Carburettor	
11	574223702	1	Air Filter	



## CRANKCASE ASS'Y

Position	Article	Quantity	Description	Kit
1	582629201	1	Short block ass'y	X
2		1	Seal ring	
3		1	Left crankcase machining	
4		2	Bearing	
5		3	Pin	
6		1	Gasket crankcase	
7		1	Circlip	
8		1	Right crankcase machining	
9		1	Seal ring,Bearing	
10		4	Screw crankcase	

11	574731101	1	Screw	
12	574225501	2	Nut	
13	574727001	2	Bolt	

14	582629401	1	Bar plate ass'y	X
15		1	Screw	
16		1	Bar plate	

17	574224601	1	Connector	
18	574224501	1	Oil pressure hose	

19	582629601	1	Timber spike ass'y	X
20		1	Spike	
21		2	Screw	

1

10

3-2

9

8

7

2-2

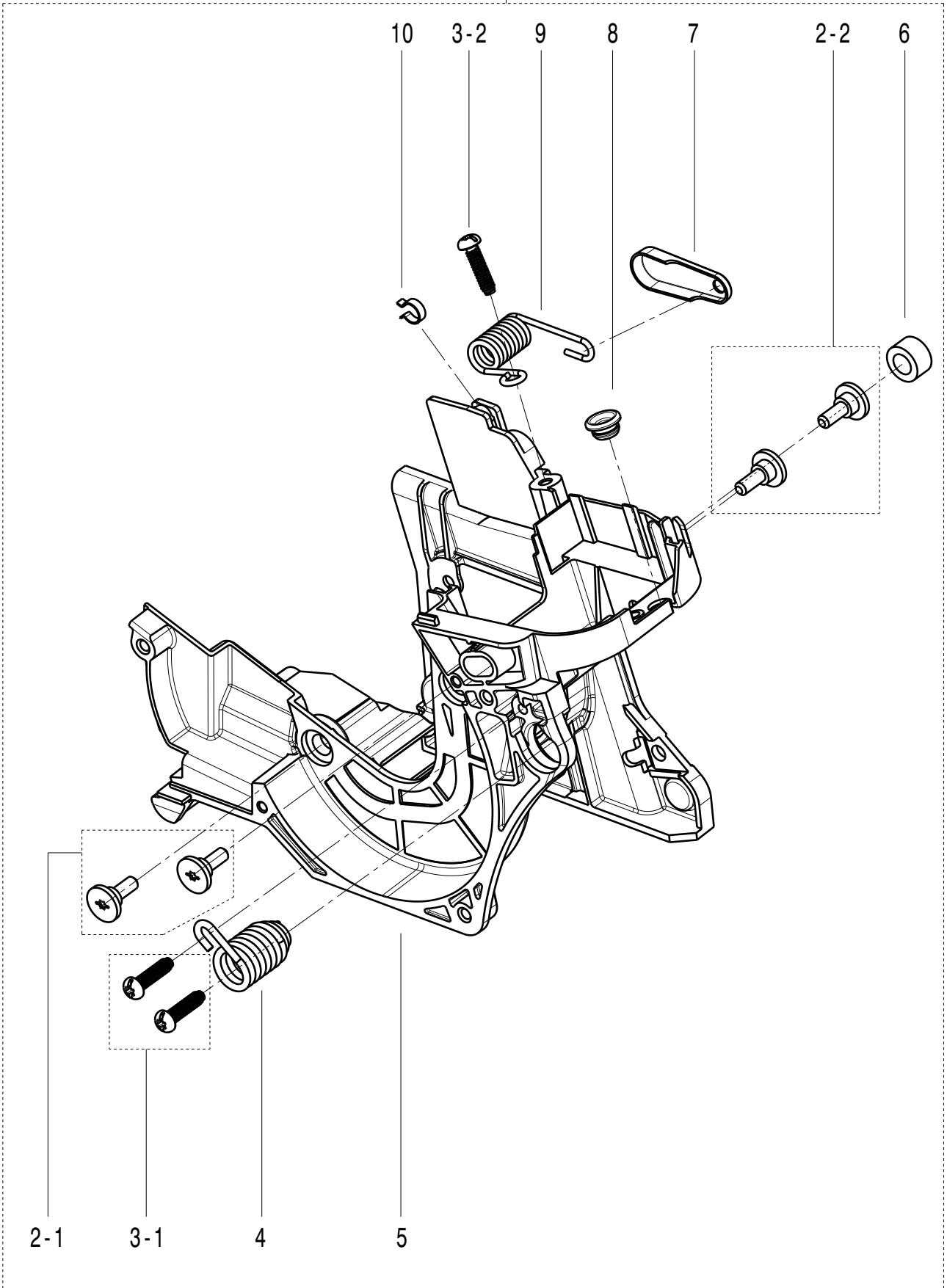
6

2-1

3-1

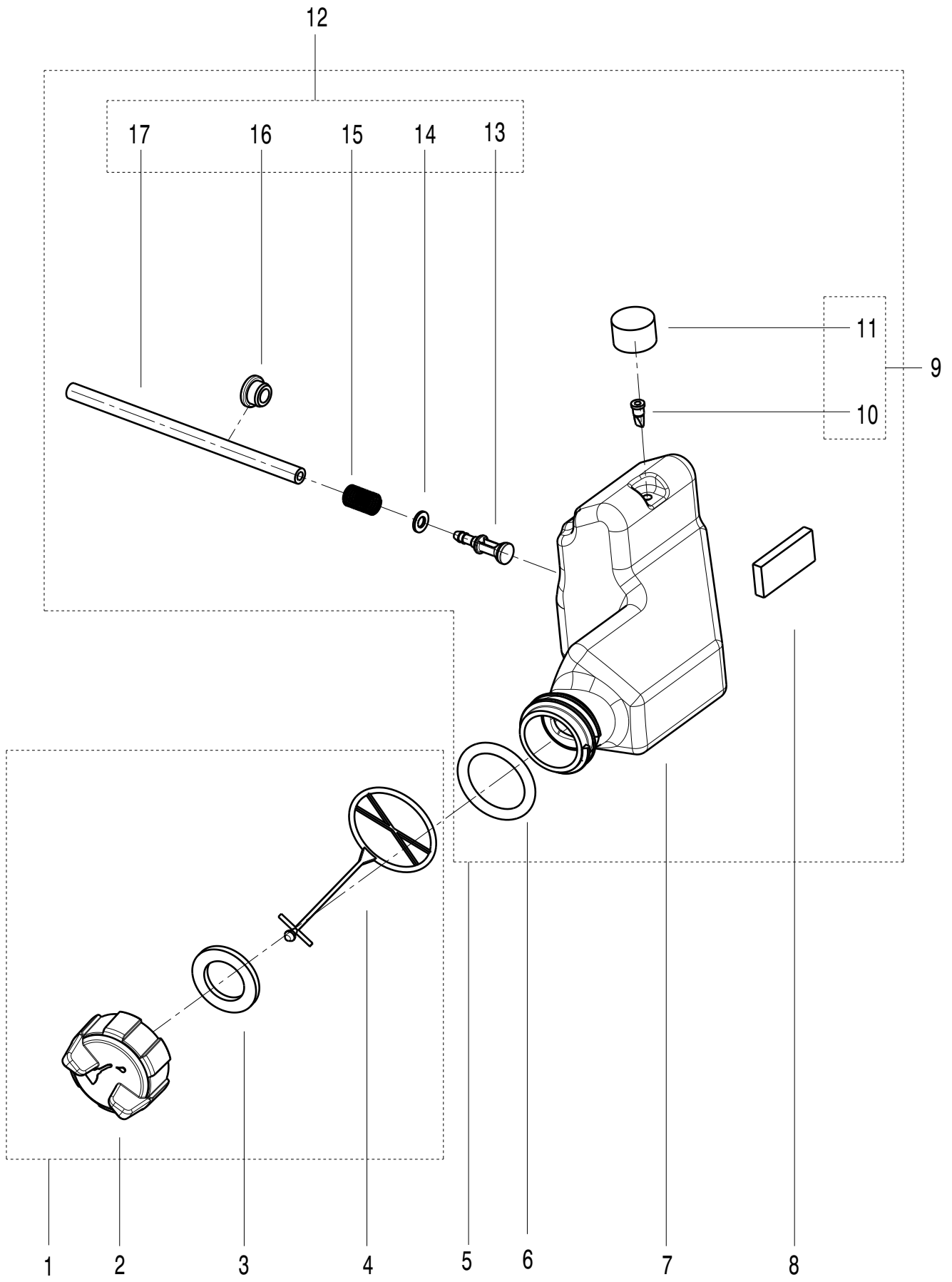
4

5

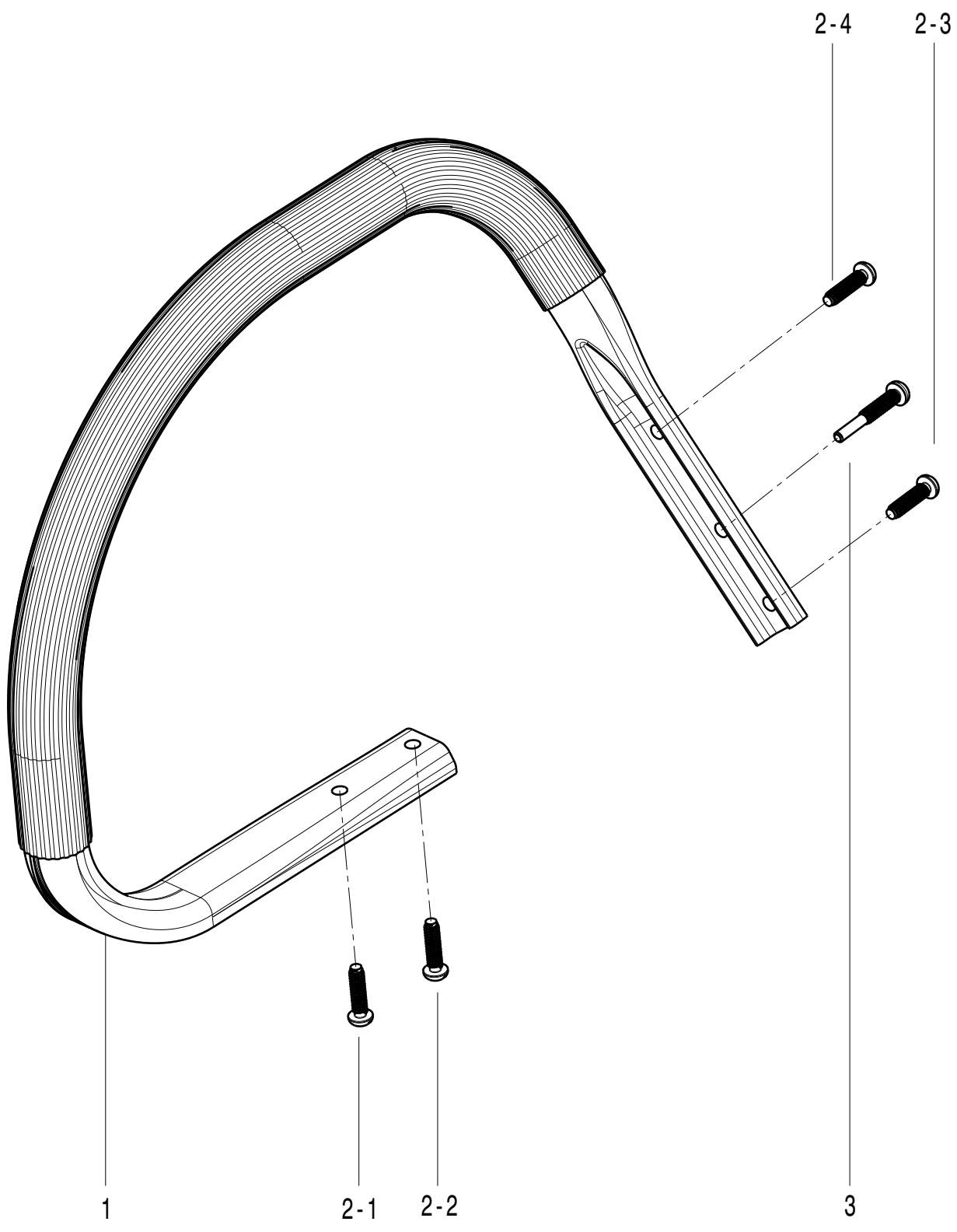




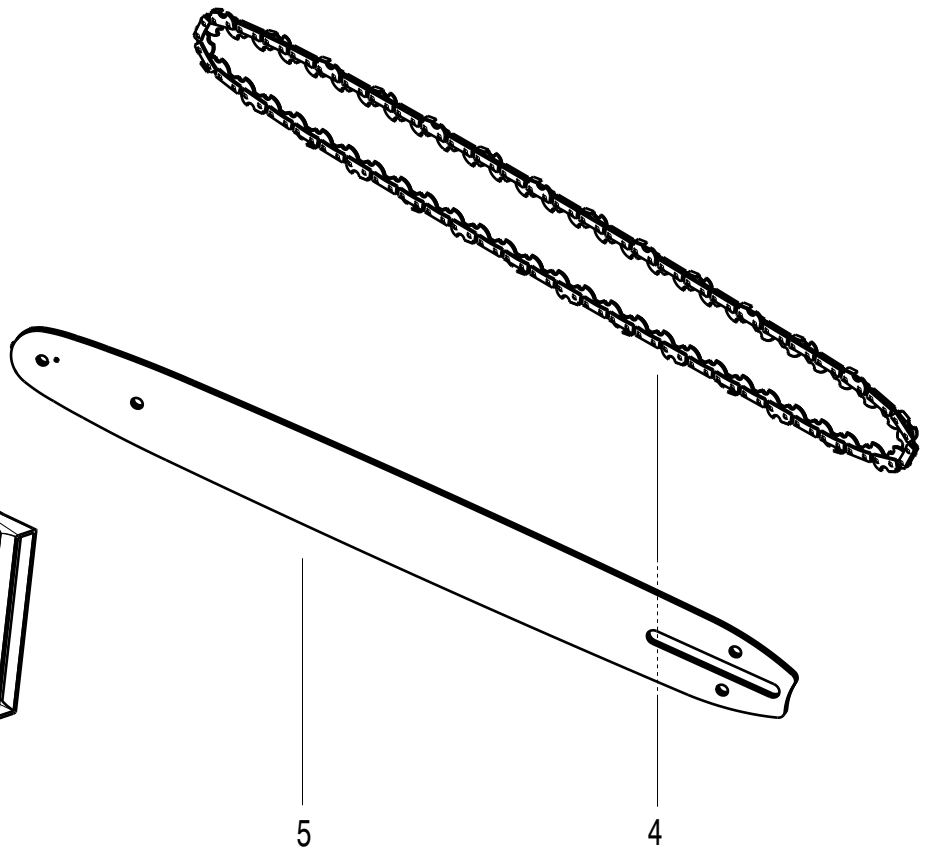
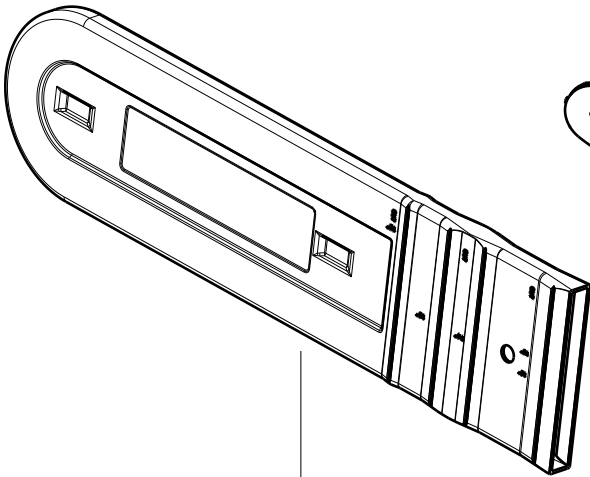
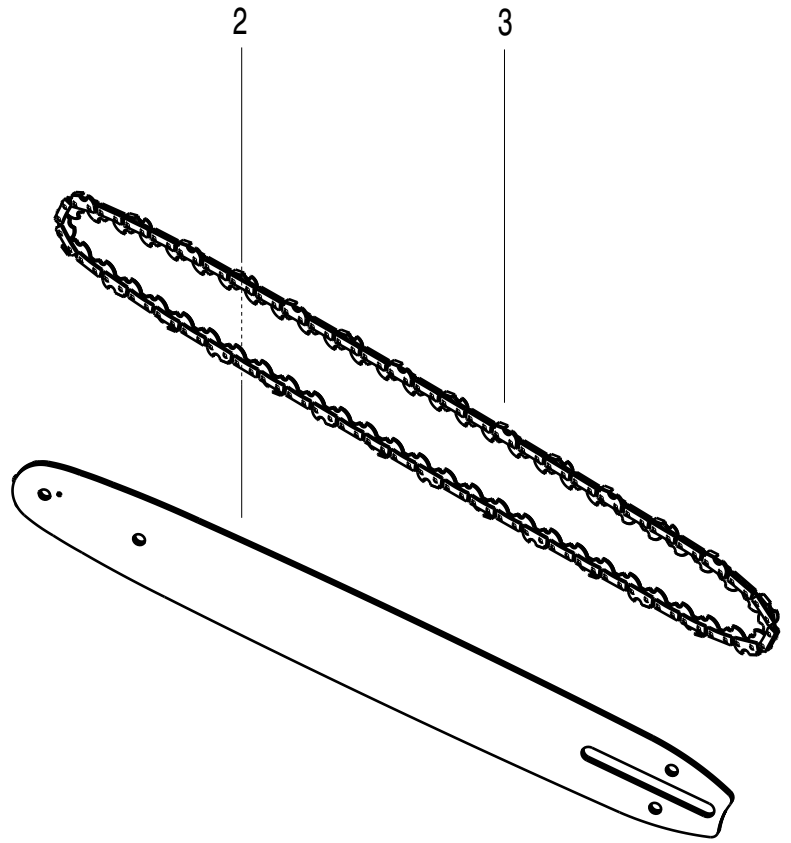
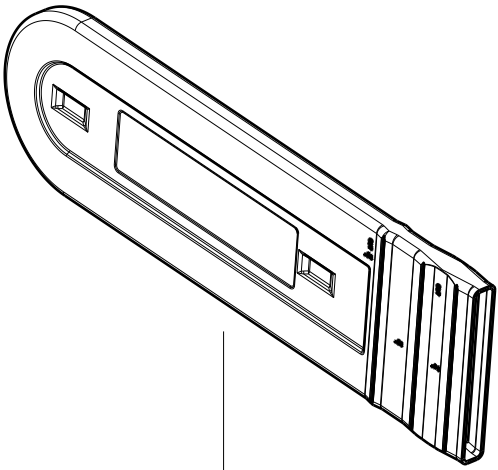
Positon	Artical	Quantity	Description	Kit
1	582834701	1	Bracket assy	x
2	574730101	4	Screw	
3	574223901	3	Screw	
4	574224201	1	AV-Spring	
5		1	Bracket	
6	574225301	1	Grommet	
7	574227601	1	Spacer	
8	574728501	1	Grommet	
9	574227501	1	AV-Spring	
10	574224301	1	Spring	



Positon	Article	Quantity	Description	Kit
1	585845901	1	Oil tank cap assy	x
2		1	Oil tank cap	
3		1	Gasket	
4		1	Holder	
5	582631201	1	Oil tank assy	x
6		1	O-ring	
7		1	Oil tank	
8		1	foam plastic	
9	582631301	1	Nipple valve assy	x
10		1	Valve nipple	
11		1	foam plastic	
12	582631701	1	Oil hose assy	x
13		1	Connector	
14		1	Washer	
15		1	Oil filter	
16		1	Grommet	
17		1	oil hose	



Positon	Article	Quantity	Description	Kit
1	574227404	1	Front Handle	
2	574223901	4	Screw	
3	574733501	1	Screw	



Positon	Article	Quantity	Description	Kit
1	582834301	1	Bar guard 14"	
2	582142501	1	1435 3/835 1.3mm Bar Accessory Pack BR0026 - 577614326	
3	582834401	1	1435 3/835 1.3mm 52DL Chain Accessory Pack CH0022 - 577615122	

Positon	Article	Quantity	Description	Kit
4	582834601	1	1635/40cm 3/835 1.3mm 56DL Chain Accessory Pack CH0027 - 577615127	
5	582142601	1	1635/40cm 3/835 1.3mm Bar Accessory Pack BR0037 - 577614337	
6	582834501	1	Bar guard 16"	

22

16-2

21

20

17

16-1

15

2-2

19

18

2-1

4

6

9

10

11

8

7

13

14

3

12

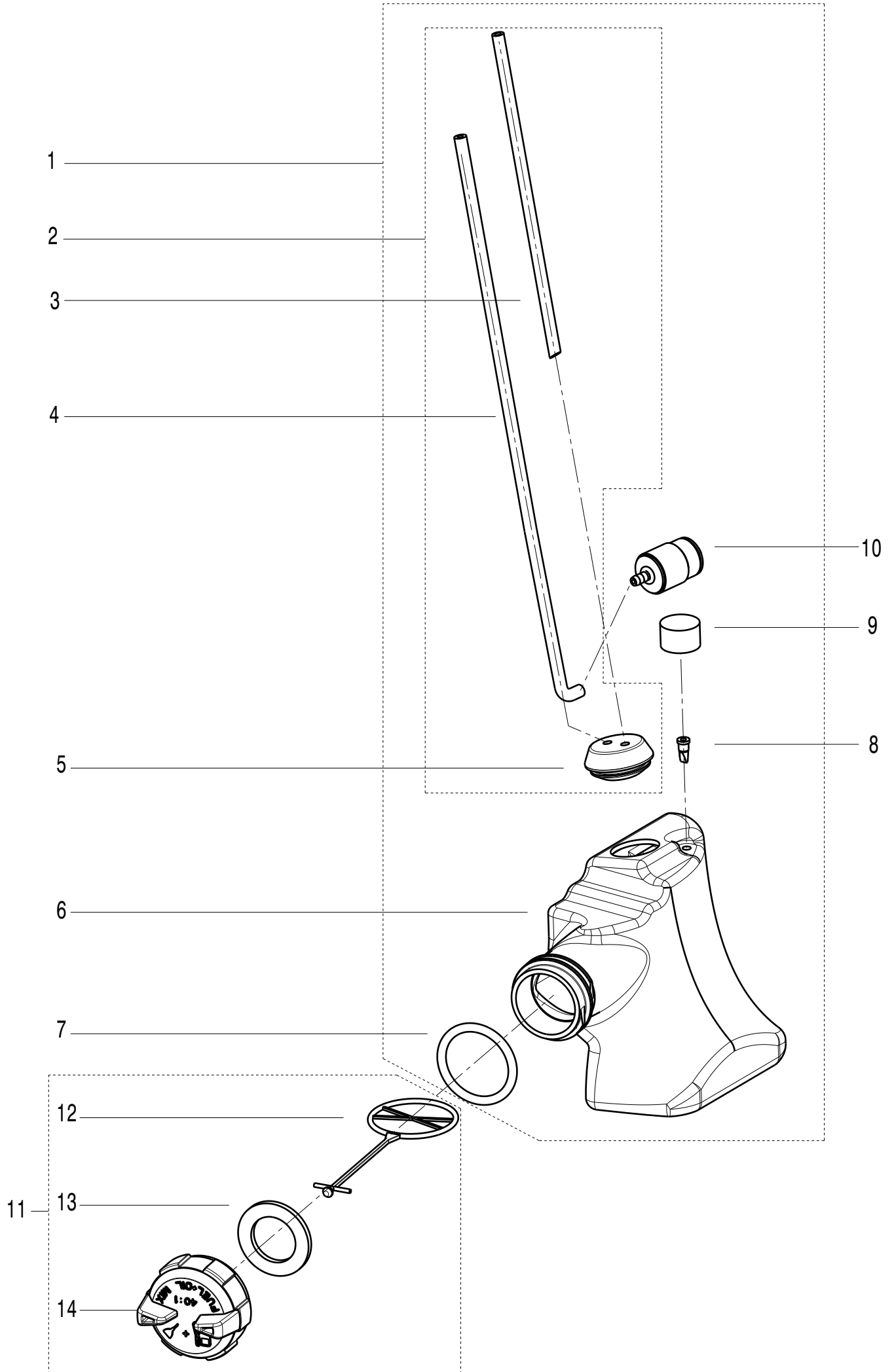
2, 4, 5, 6, 7, 16, 20, 21, 22

23

5

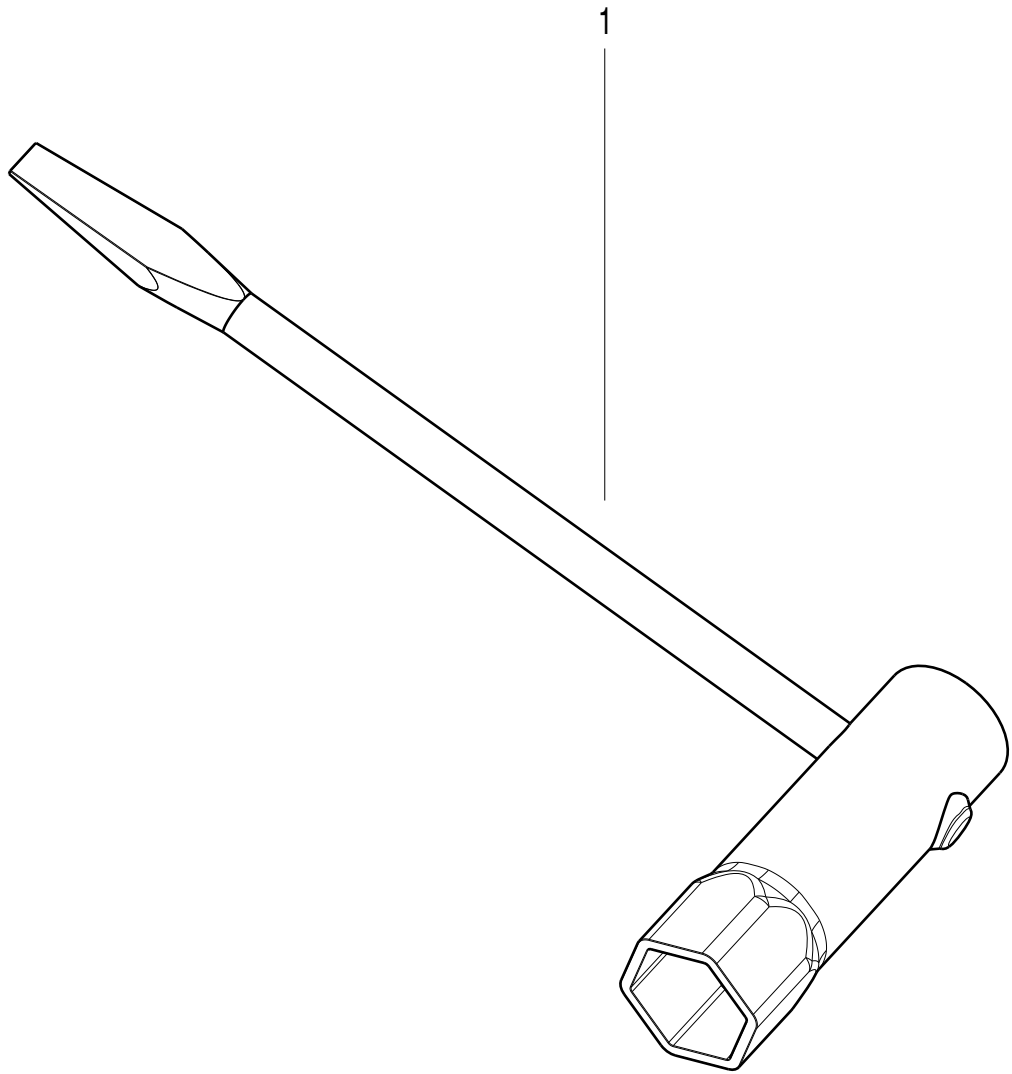


Positon	Article	Quantity	Description	Kit
1	582840801	1	Rear handle assy kit	x
2-1	574223901	3	Screw	
3	582841101	1	Rear handle assy	x
4		1	Handle half	
5		1	Warning decal	
6		1	Rear Handle Left	
7		1	Rear Handle Right	
8	582841201	1	Trigger assy	x
9		1	Spring	
10		1	Trigger	
11		1	Throttle Lock out	
12	582630901	1	Fuel purge assy	x
13		1	Fuel hose	
14		1	Fuel purge	
15	574226701	1	Throttle cable	
16	574732901	2	Grommet	
17	582841401	1	Isolation spring assy	x
18		1	Screw	
19		1	Spring	
2-2		1	Screw	
20	734113741	1	Washer	
21	574226502	1	Screw	
22	574223902	1	Screw	
23	582841501	1	Rear handle assy & Screws	x



## Fuel Tank Assy

Positon	Article	Quantity	Description	Kit
1	582631401	1	Fuel tank assy	x
2	582631501	1	Fuel hose assy	x
3		1	fuel hose	
4		1	Fuel hose	
5		1	Grommet	
6		1	Fuel tank	
7		1	O-ring	
8		1	Valve nipple	
9		1	foam plastic	
10		1	fuel filter	
11	574227102	1	Fuel tank cap assy	x
12		1	Holder	
13		1	Gasket	
14		1	Fuel tank cap	



Positon	Article	Quantity	Description	Kit
1	574228101	1	Wrench	