

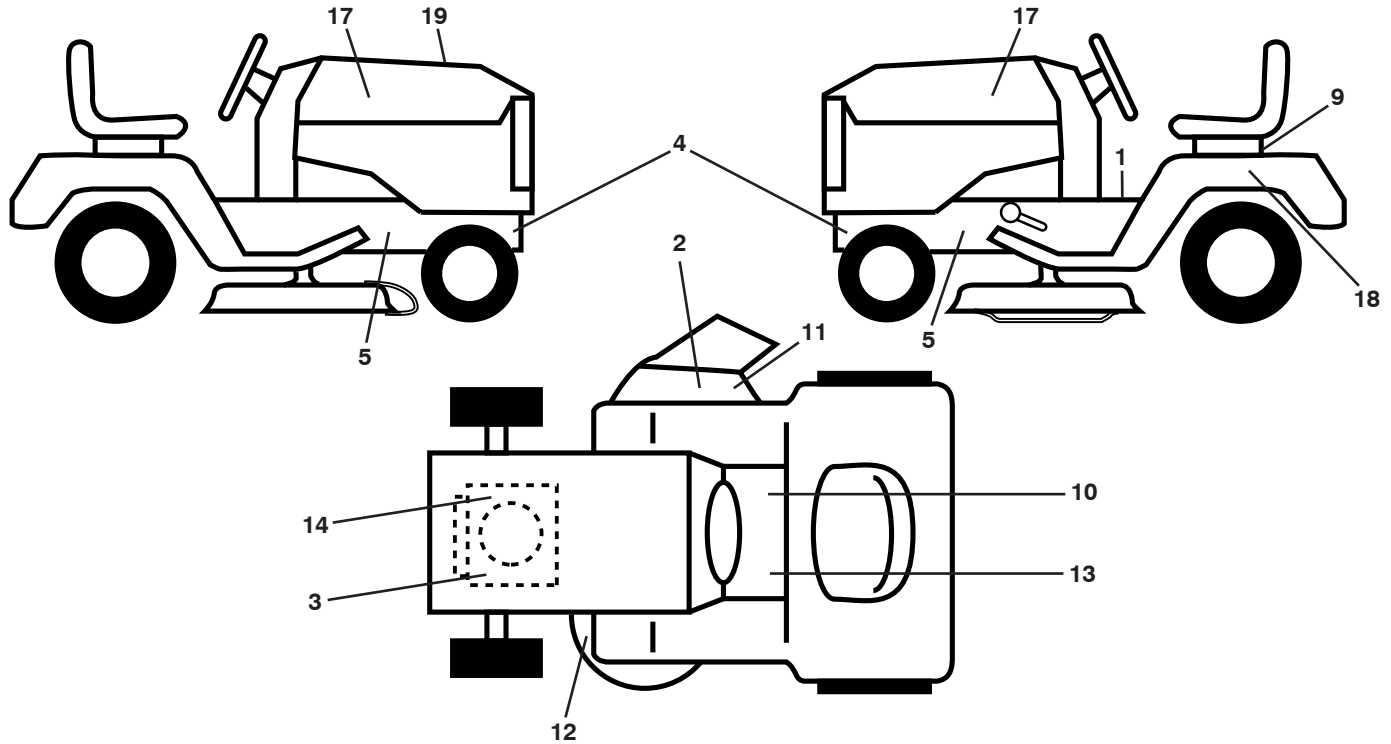
ILLUSTRATED PARTS LIST

MODEL NO. 96041038101

CUST. CAT. NO. M125-97T POWERDRIVE

PRODUCT NO. 960 41 03-81

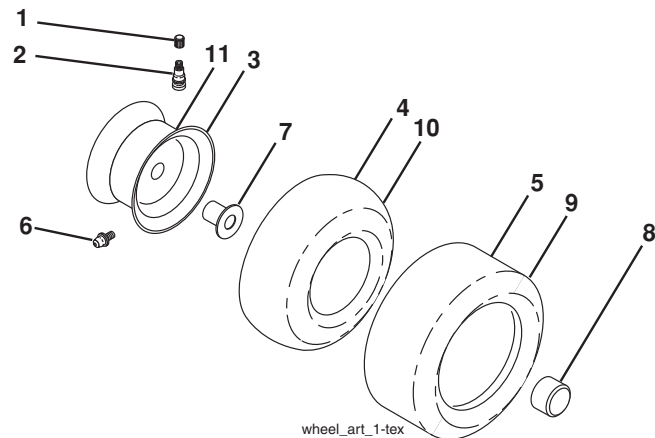
**TRACTOR - - MODEL NO. M125-97T (96041038101), PRODUCT NO. 960 41 03-81
DECALS 27**



KEY NO.	PART NO.	DESCRIPTION
1	581 57 81-01	Decal, Operators
2	584 90 46-01	Decal, Deflect. Warning
3	581 57 97-01	Decal, Engine Warning
4	581 57 98-01	Decal, Warning
5	581 57 96-01	Decal, Chassis Hot Muffler
9	532 14 50-05	Decal, Battery Dnge/Poi
10	581 57 80-01	Decal, Saddle Brake Parking
11	581 57 92-01	Decal, Warning
12	581 58 00-03	Decal, Deck Sch.
13	581 72 40-01	Decal, Brake/Clutch Symbol
14	585 56 13-01	Decal, BS Engine
17	581 09 12-01	Decal, Hood

KEY NO.	PART NO.	DESCRIPTION
18	581 96 27-01	Decal, Fender
19	581 59 17-01	Decal, Replacement
--	581 72 46-01	Decal, Drawbar
--	581 72 48-01	Decal, Bypass
--	532 40 95-07	Pad, Foot Pedal
--	532 40 95-05	Pad, Footrest, LH
--	115 82 93-40	Manual Operator's (Euro)
--	115 82 95-50	Manual Operator's (Scan)
--	115 82 94-20	Manual Operator's (E-Bloc)
--	115 82 96-30	Manual Operator's (Baltic)

WHEELS AND TIRES



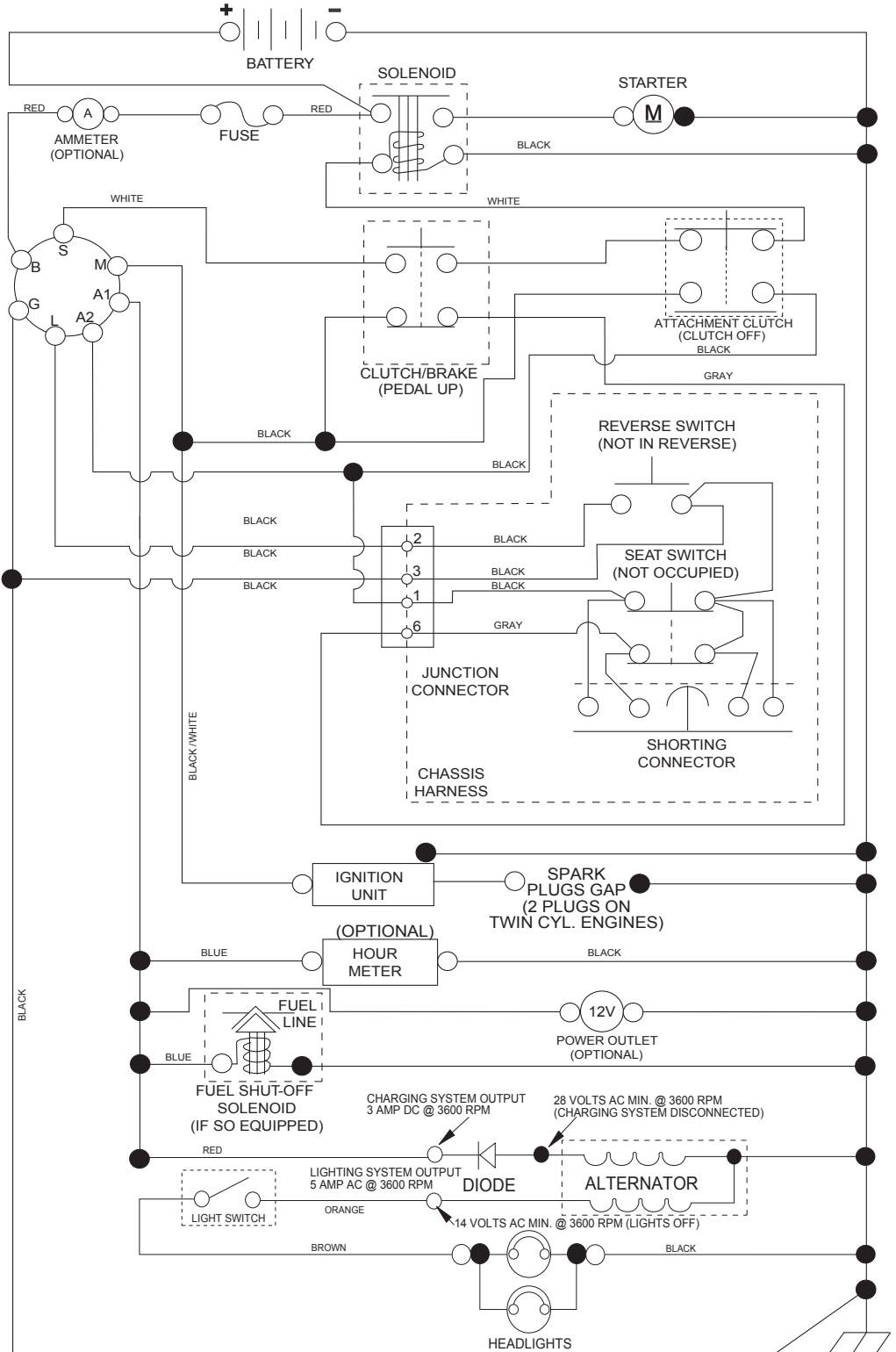
KEY NO.	PART NO.	DESCRIPTION
1	532 05 91-92	Cap Valve Tire
2	532 06 51-39	Stem Valve
3	532 12 51-21	Rim Asm 6" Front
4	532 05 99-04	Tube Front (Service Item Only)
5	532 10 62-22	Tire Front 15 x 6-6
6	532 12 49-57	Fitting Grease (Front Wheel Only)
7	532 12 49-59	Bearing Flange (Front Wheel Only)
8	532 19 32-68	Cap Axle 1 50 x 1 00
9	532 12 46-35	Tire Rear 18 x 8.5-8
10	532 12 49-26	Tube Rear (Service Item Only)
11	532 12 51-22	Rim Asm 8" Rear
--	532 14 43-34	Sealant, Tire (10 oz. Tube)

NOTE: All component dimensions given in U.S. inches
1 inch = 25.4 mm

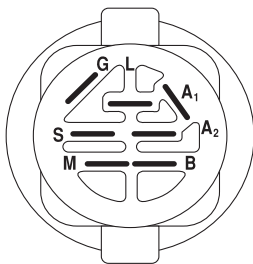
TRACTOR - - MODEL NO. M125-97T (96041038101), PRODUCT NO. 960 41 03-81

SCHEMATIC 38

SCH11

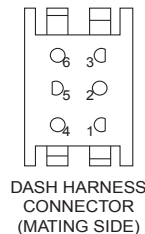
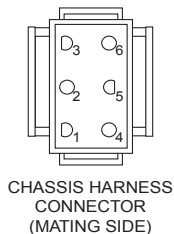


NOTE
YOUR TRACTOR IS EQUIPPED WITH A SPECIAL ALTERNATOR SYSTEM. THE LIGHTS ARE NOT CONNECTED TO THE BATTERY, BUT HAVE THEIR OWN ELECTRICAL SOURCE. BECAUSE OF THIS, THE BRIGHTNESS OF THE LIGHTS WILL CHANGE WITH ENGINE SPEED. AT IDLE THE LIGHTS WILL DIM. AS THE ENGINE IS SPEEDED UP, THE LIGHTS WILL BECOME THEIR BRIGHTEST.

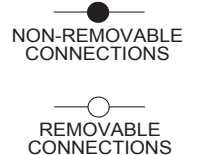


IGNITION SWITCH

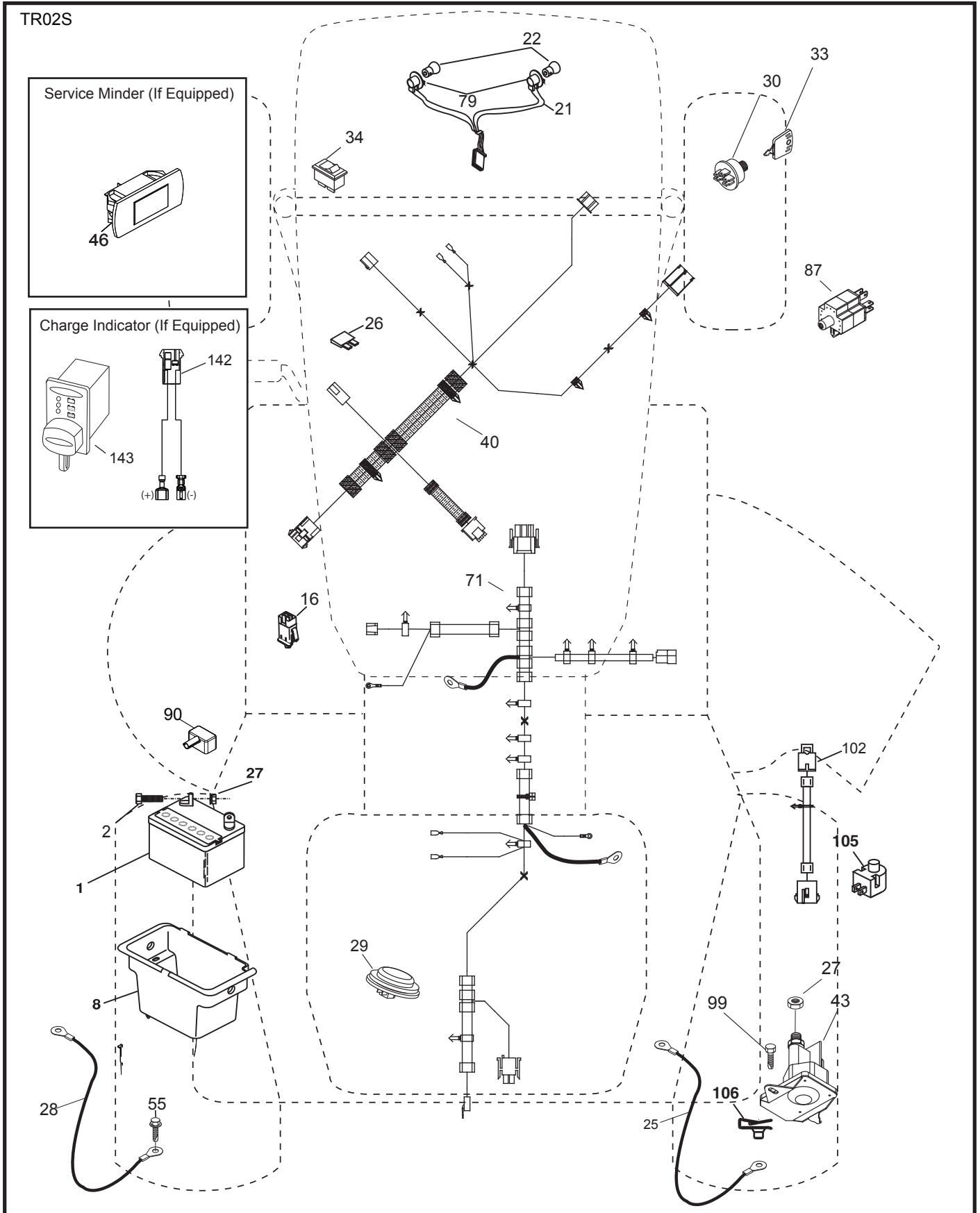
POSITION	CIRCUIT	"MAKE"
OFF	M+G+A1	
RUN/OVERRIDE	B+A1	
RUN	B+A1	L+A2
START	B + S + A1	



WIRING INSULATED CLIPS
NOTE: IF WIRING INSULATED CLIPS WERE REMOVED FOR SERVICING OF UNIT, THEY SHOULD BE RE-INSTALLED TO PROPERLY SECURE YOUR WIRING.



TRACTOR - - MODEL NO. M125-97T (96041038101), PRODUCT NO. 960 41 03-81
ELECTRICAL **32**



**TRACTOR - - MODEL NO. M125-97T (96041038101), PRODUCT NO. 960 41 03-81
ELECTRICAL 32**

KEY NO.	PART NO.	DESCRIPTION
1	532 16 34-65	Battery
2	874 76 04-12	Bolt Hex Head 1/4-20 x 3/4
8	532 19 32-28	Box Battery
16	532 17 61-38	Switch Interlock Push-In
21	532 40 02-52	Harness Socket Light w/4152J
22	532 00 41-52	Bulb Light
25	581 49 80-01	Cable Starter
26	532 17 51-58	Fuse
27	873 51 04-00	Nut Keps Hex 1/4-20 unc
28	532 42 16-86	Cable,Ground
29	532 40 15-45	Switch, Seat
30	532 19 33-50	Switch, Ign
33	532 41 19-35	Key/Chain
34	532 11 07-12	Switch Light/Reset
40	581 02 31-01	Harness Ign. Dash
43	582 04 28-01	Solenoid
55	817 06 05-12	Screw Thdrol 5/16-18 x 3/4 TYTT
71	501 13 37-01	Harness Chassis
79	532 17 52-42	Socket Asm
87	532 19 78-02	Switch Interlock Clutch Cbl
90	532 43 53-95	Cover Terminal
99	817 67 04-12	Screw 1/4-20 x 3/4
102	581 02 34-01	Harness Pigtail
105	532 40 75-68	Switch Reverse
106	532 17 48-14	Palnut 1/4 Lugs

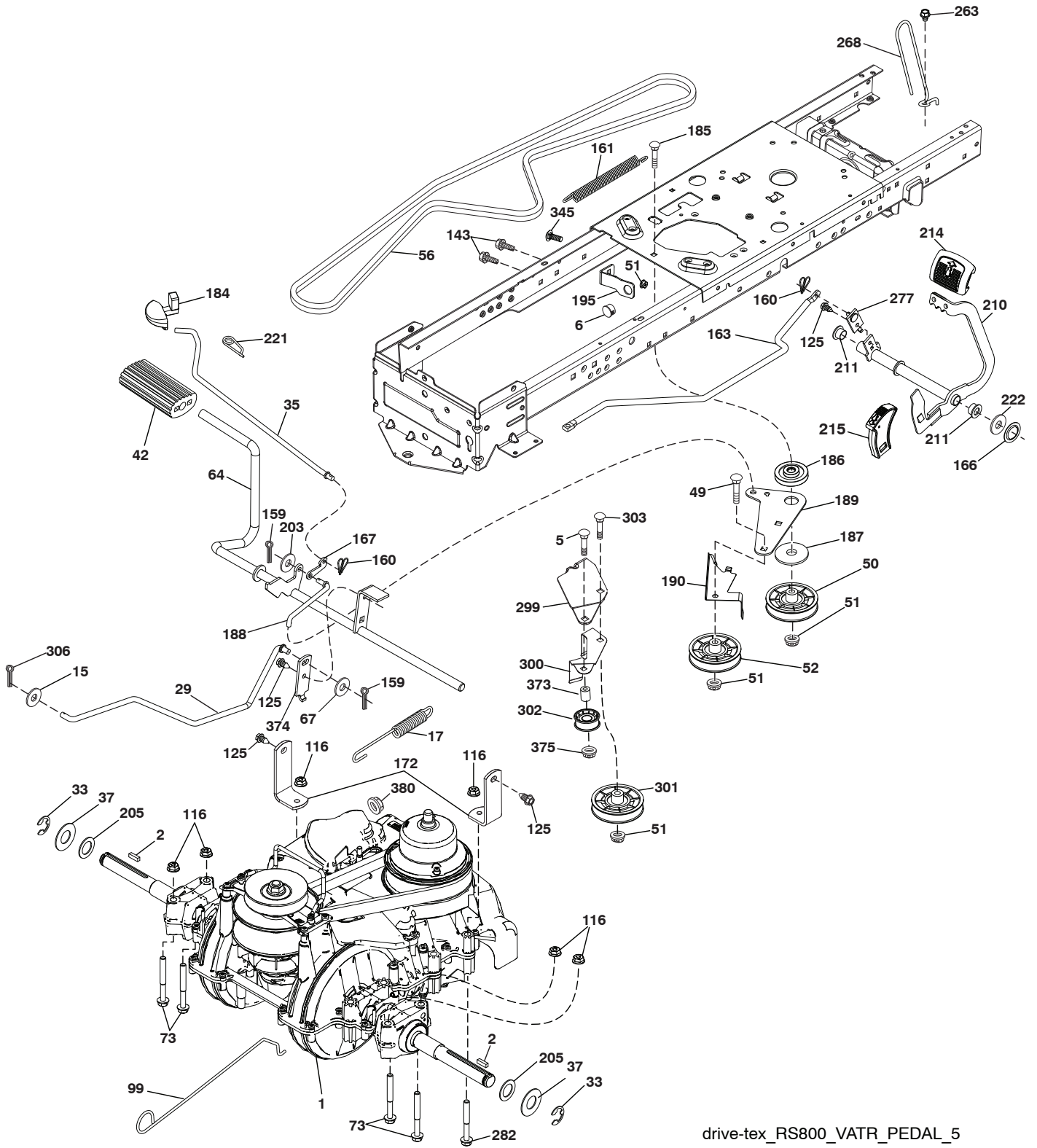
NOTE: All component dimensions given in U.S. inches
1 inch = 25.4 mm

**TRACTOR - - MODEL NO. M125-97T (96041038101), PRODUCT NO. 960 41 03-81
CHASSIS AND ENCLOSURES 39**

KEY NO.	PART NO.	DESCRIPTION	KEY NO.	PART NO.	DESCRIPTION
3	578 89 71-01	Emblem	184	587 55 41-01	Plug
5	532 42 57-72	Dash	189	817 00 05-12	Screw 5/16-18 x 3/4
14	581 56 47-01	Hood	194	873 90 05-00	Nut Lock Hex Flange 5/16-18
15	581 05 58-01	Lens LH	196	532 41 45-81	Console Asm. Deck Lift
18	581 05 57-01	Grille	201	819 13 20-16	Washer 13/32 x 1-1/4 x 16 Ga.
25	581 05 59-01	Lens RH	202	588 98 86-01	Side Vent RH
34	580 91 08-01	Plate Engine	203	588 98 86-02	Side Vent LH
36	817 06 05-12	Screw 5/16-18 x 3/4	213	874 76 05-12	Bolt 5/16-18 x 3/4
37	532 42 07-96	Fender	217	532 40 91-67	Rod Pivot Hood
52	873 68 05-00	Nut Crown Lock 5/16	218	532 19 63-95	X-Piece Hood Stop
58	532 41 22-80	Drawbar	225	581 05 62-01	Trim Ring
68	817 49 05-08	Screw THDROL 5/16-18 x 1/2	228	532 19 51-61	Stud Fastener
130	532 41 63-58	Screw	235	532 40 61-29	Spacer Fender
138	532 40 97-30	Cupholder	236	873 93 05-00	Nut Lock 5/16-18 unc
143	581 05 60-01	Insert Reflection LH	237	532 40 37-04	Plug Mount Cargo
150	532 40 02-67	Air Duct	287	817 60 04-06	Screw Hex
151	532 18 75-68	Bracket Pivot	303	587 49 34-02	Shield Chassis French LH
152	532 19 95-35	Shield Browning	304	587 86 51-02	Shield Chassis French RH
159	817 00 06-12	Screw 3/8-16 x 3/4	307	587 49 46-01	Shield Upper Pedal
162	532 14 24-32	Screw 1/4 x 1/2	308	532 17 18-77	Bolt 5/16-18 unc x 3/4
175	532 19 94-72	Crossmember	312	587 49 30-02	Shield Drawbar
176	532 40 07-76	Screw 10-24 x 5/8	374	581 05 60-02	Insert Reflection RH
177	532 19 52-28	Bushing Steering			
180	532 41 50-63	Chassis			
181	532 40 47-96	Bushing Mtg. Fender Crgo			
182	532 40 71-76	Dash Lower			
183	874 52 05-20	Bolt 5/16-18 x 1-1/4			

NOTE: All component dimensions given in U.S. inches
1 inch = 25.4 mm

TRACTOR - - MODEL NO. M125-97T (96041038101), PRODUCT NO. 960 41 03-81
DRIVE **40**



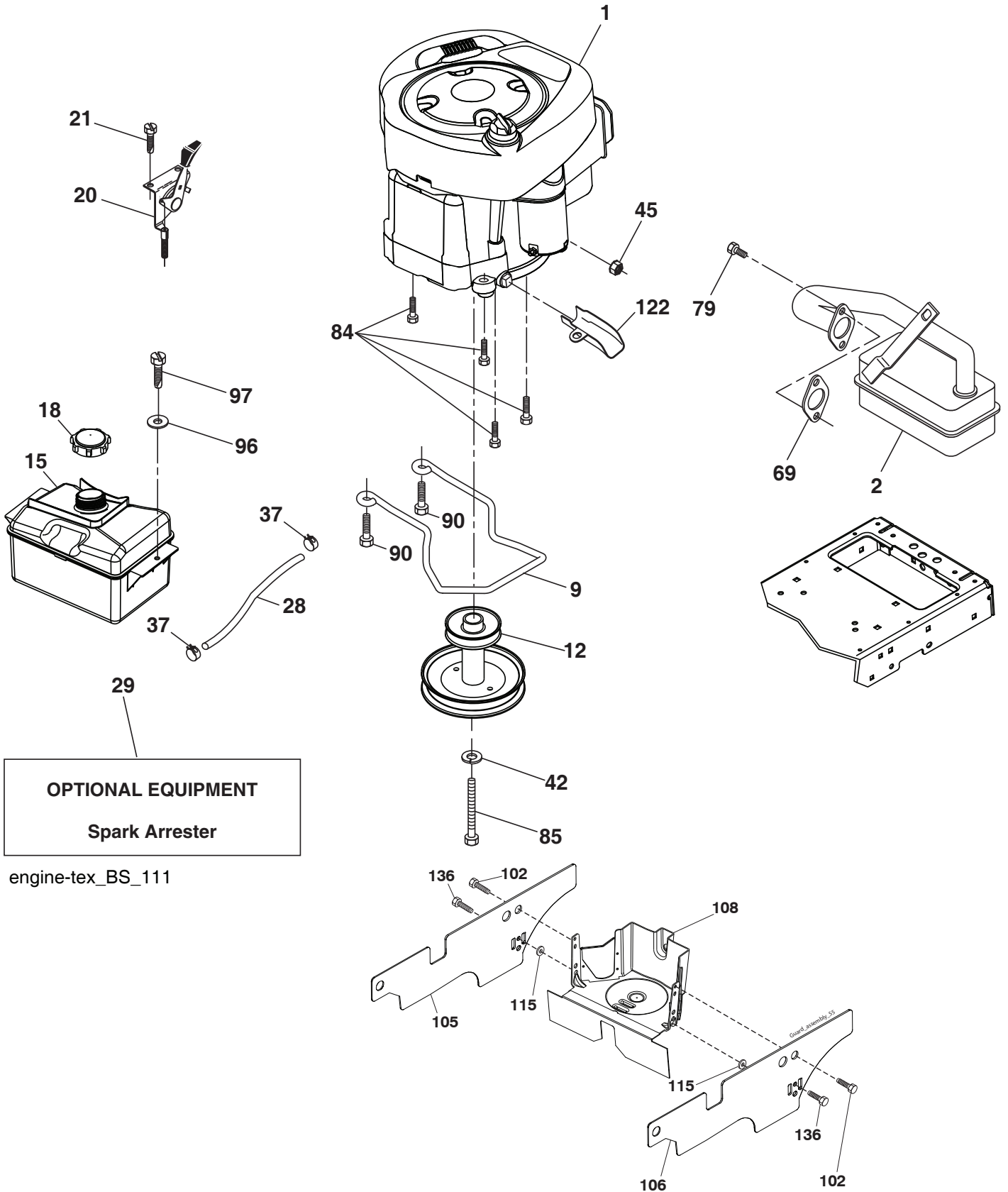
drive-tex_RS800_VATR_PEDAL_5

**TRACTOR - - MODEL NO. M125-97T (96041038101), PRODUCT NO. 960 41 03-81
DRIVE **40****

KEY NO.	PART NO.	DESCRIPTION	KEY NO.	PART NO.	DESCRIPTION
1	---	Transaxle, Variator, SD Pedal (590277601) (Order parts from transaxle manufacturer.)	187	819 13 32-10	Washer 13/32 x 2 x 10 ga
2	532 12 35-83	Key Square	188	582 21 70-01	Link Clutch Ground Drive, Long
5	874 76 06-36	Bolt Hex HS 3/8-16 unc x 2-1/4	189	532 19 43-17	Bellcrank Ground Drive
6	532 12 40-28	Bushing Snap	190	532 19 43-18	Keeper. Bellcrank
15	819 13 13-16	Washer 13/32 x 13/16 x 16 Ga.	195	581 50 46-01	Bracket Brake
17	501 48 71-01	Spring, Brake	203	819 11 11-16	Washer 11/32 x 11/16 x 16
29	584 82 31-01	Rod, Brake	205	532 12 17-48	Washer 25/32 x 1-5/8 16 Ga.
33	812 00 00-01	Ring E	210	588 92 10-01	Rocker Asm. Pedal
35	532 40 10-31	Rod, Brake, Park	214	532 42 12-63	Pedal Forward
37	532 18 89-67	Washer .793 x 1.637 x 060	215	532 44 82-54	Pad Pedal Reverse
42	532 12 48-72	Cover, Foot Pedal	211	532 12 01-83	Bearing Nylon
49	872 11 06-14	Bolt 3/8-16 unc	221	532 40 31-87	Retainer Spring
50	532 19 43-27	Idler Flat	222	879 21 20-10	Washer Flat
51	873 90 06-00	Nut Lock	263	817 00 06-12	Screw
52	532 19 43-26	Idler V-Groove	268	532 18 24-02	Guard.Muffler
56	581 60 38-01	V-Belt, Drive	277	532 44 85-00	Subasm. Link Rocker Pedal
64	589 67 14-01	Subasm. Shaft Pedal Brake	282	874 49 05-48	Bolt Hex 5/16-18x
67	582 58 01-01	Washer Nylon 13/32 x 13/16 x .109	299	532 41 56-83	Bracket Mount
73	874 49 05-44	Bolt Hex 5/16-18 x 3.75	300	532 41 56-81	Keeper Idler
99	532 43 59-35	Rod Bypass	301	532 41 56-80	Pulley Idler Groove
116	873 90 05-00	Nut Lock Hex Flange 5/16-18	302	581 42 05-01	Puller Idler Flat
125	817 00 05-12	Screw 5/16-18 x 3/4	303	872 11 06-18	Bolt
143	817 49 05-08	Screw Thdrol 5/16-18 x 1/2 TYTT	306	876 02 04-16	Pin Cotter
159	876 02 04-12	Pin Cotter 1/8 x 3/4	345	872 11 06-06	Bolt RDHD
160	532 16 94-84	Retainer Clip	373	581 46 18-01	Spacer Idler
161	532 10 57-09	Spring, Return, Clutch	374	581 47 52-01	Arm Control Brake
163	587 84 79-01	Rod Control	375	873 68 06-00	Nut Crownlock 3/8-16 unc
166	532 42 91-64	Nut Push .625	380	582 47 86-01	Nut Flg Nylock 1/4-20 Gr. G ZY
167	532 40 52-57	Latch Brake Parking			
172	583 97 42-02	Strap Torque Variator			
184	532 41 14-84	Handle Park Brk.			
185	872 11 06-22	Bolt 3/8-16 unc x 2-3/4			
186	532 19 43-21	Spacer Retainer			

NOTE: All component dimensions given in U.S. inches
1 inch = 25.4 mm

TRACTOR - - MODEL NO. M125-97T (96041038101), PRODUCT NO. 960 41 03-81
ENGINE 24



engine-tex_BS_111

**TRACTOR - - MODEL NO. M125-97T (96041038101), PRODUCT NO. 960 41 03-81
ENGINE 24**

KEY NO.	PART NO.	DESCRIPTION
1	- - - - -	Engine B & S, Model No. 21R707-0115-B1 (501303601)(Order parts from engine manufacturer.)
2	532 17 97-58	Muffler
9	501 83 26-02	Keeper Belt Engine
12	586 47 85-01	Pulley Engine
15	581 28 99-01	Tank Fuel 1.5
18	532 43 02-20	Cap Asm
20	532 18 38-97	Control Throttle/Choke
21	532 41 63-58	Screw #10 x .750 BOS Thread
28	532 13 70-40	Fuel Line
29	532 13 71-80	Spark Arrester Kit
37	532 12 34-87	Clamp Hose
42	539 99 02-47	Washer 7/16
45	873 51 04-00	Nut Keps Hex 1/4-20 unc
69	532 16 52-91	Gasket
79	532 19 23-34	Screw Socket 5/16-18 x .75
84	817 06 06-20	Screw 3/8-16 x 1-1/4
85	501 60 65-01	Bolt Hex 7/16-20 x 4 Gr. 5
90	817 00 06-16	Screw 3/8-16 x 1
96	819 09 14-16	Washer 9/32 x 7/8 x 16 Ga.
97	817 67 04-12	Screw Hexwsh Thdrol 1/4-20 x 3/4
102	817 00 05-12	Screw 5/16-18 x 3/4
105	501 26 72-02	Shield Side LH
106	501 26 82-02	Shield Side RH
108	587 17 95-01	Cover Eng. Pulley w/SHLD 38", 42".
115	532 43 17-61	Palnut #10
122	532 42 19-22	Extension Drain Oil
136	532 42 17-56	Screw, #10 0.500, BOS

NOTE: All component dimensions given in U.S. inches
1 inch = 25.4 mm

Engine Power Rating Information

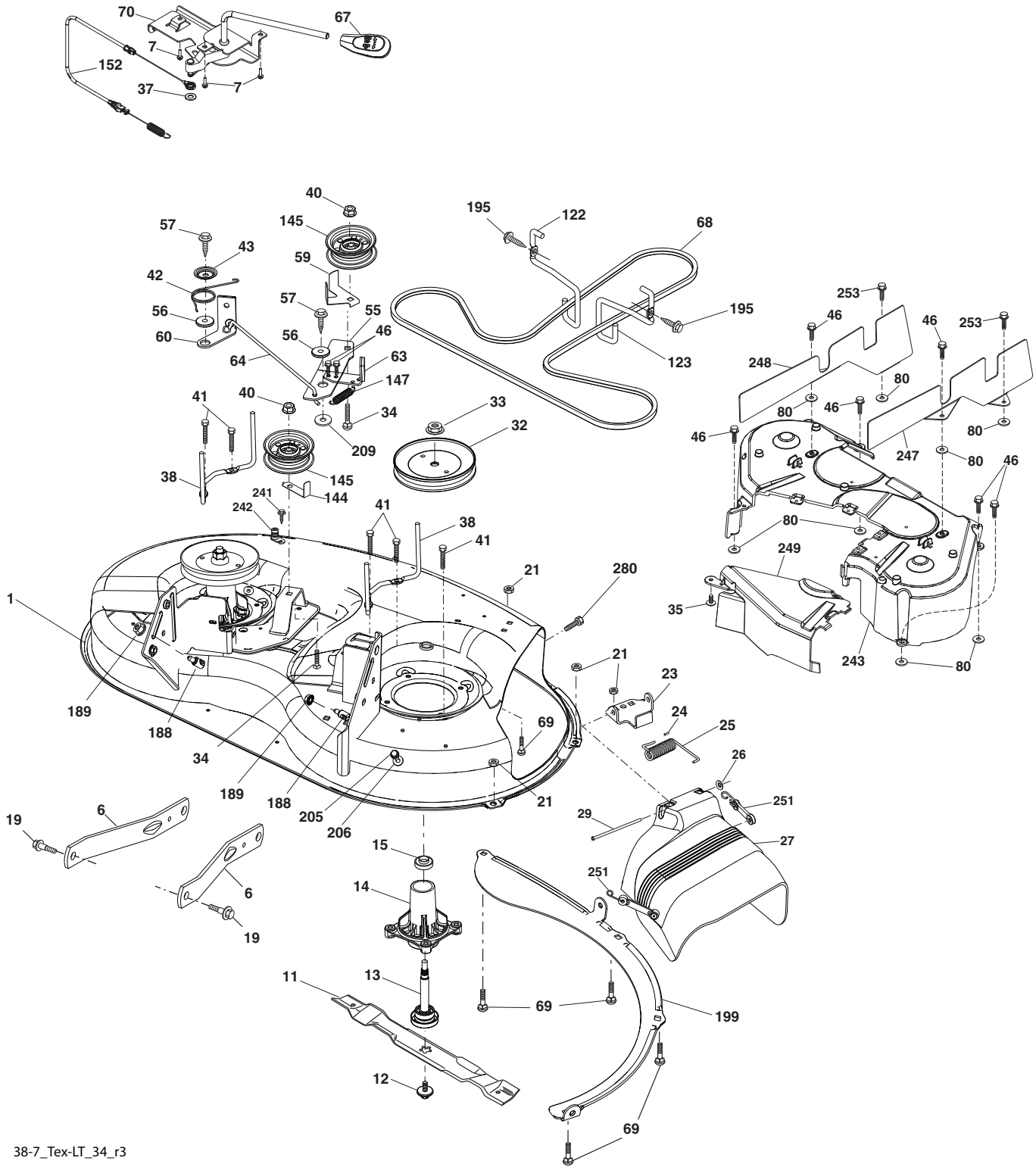
The gross power rating for individual gas engine models is labeled in accordance with SAE (Society of Automotive Engineers) code J1940 (Small Engine Power & Torque Rating Procedure), and rating performance has been obtained and corrected in accordance with SAE J1995 (Revision 2002-05). Torque values are derived at 3060 RPM; horsepower values are derived at 3600 RPM. Actual gross engine power will be lower and is affected by, among other things, ambient operating conditions and engine-to-engine variability. Given both the wide array of products on which engines are placed and the variety of environmental issues applicable to operating the equipment, the gas engine will not develop the rated gross power when used in a given piece of power equipment (actual "on-site" or net power). This difference is due to a variety of factors including, but not limited to, accessories (air cleaner, exhaust, charging, cooling, carburetor, fuel pump, etc.), application limitations, ambient operating conditions (temperature, humidity, altitude), and engine-to-engine variability. Due to manufacturing and capacity limitations, Briggs & Stratton may substitute an engine of higher rated power for this Series engine.

**TRACTOR - - MODEL NO. M125-97T (96041038101), PRODUCT NO. 960 41 03-81
STEERING ASSEMBLY 41**

KEY NO.	PART NO.	DESCRIPTION
1	532 44 28-04	Wheel, Steering
2	532 41 81-68	Axle Asm., Front
4	532 40 30-87	Spindle Asm., LH
5	532 40 30-88	Spindle Asm., RH
6	532 12 49-31	Bearing, Race Thrust Hardened
7	532 12 17-48	Washer 25/32 x 1-5/8 x 16 Ga.
8	812 00 00-29	Ring, Klip #T5304-75
9	532 12 12-32	Cap, Spindle
13	532 12 17-49	Washer, 25/32 x 1-1/4 x 16 Ga.
14	539 99 01-18	Washer, SLW ZD 3/8
15	873 54 06-00	Nut, Crown Lock 3/8-24 unf
16	585 86 92-02	Steering Shaft
19	532 19 47-29	Plate Steering
20	532 40 97-63	Boot, Steering
21	532 18 67-37	Adapter, Wheel Steering
22	585 02 98-02	Bearing
26	532 44 77-59	Insert, Wheel Steering
27	819 21 16-16	Washer 21 x 32 x 1 x 16 Ga.
28	817 00 06-12	Screw 3/8-16 x 3/4
33	539 99 01-87	Washer Lock 5/16
35	532 19 47-32	Gear, Sector Plate
45	819 11 38-12	Washer 11/32 x 3/8 x 12 Ga.
53	532 18 89-67	Washer Hardened .793 x 1.637 x .060
57	532 40 74-65	Bracket Upstop
58	532 19 47-47	Bolt Shoulder Sector Pivot CFM
59	532 19 47-48	Washer Thrust Sector Steering
60	873 97 10-00	Nut Flange Lock 5/8-11
61	532 19 47-40	Draglink, LH
62	532 19 47-41	Draglink, RH
63	817 00 05-12	Screw 5/16-18 x 3/4
64	532 19 98-49	Retainer Clip Spring Steering
66	871 02 07-48	Bolt Hex Fghd 7/16-14 x 3 Serr
67	532 19 47-37	Bushing PM Front Axle
68	873 90 07-00	Nut Lock Flange 7/16-14 Gr. 5
69	532 19 91-62	Washer 1.5 x .505 x .118
70	585 33 88-01	Bracket Deck Susp. Front
71	532 19 07-52	Shaft Extension Steering
72	532 42 89-82	Bolt Fin Hex 5/16-18 x 3/4 w/Patch
74	532 12 49-37	Bearing
75	580 68 37-01	Pinion
76	580 68 36-01	Screw Head Sock
122	532 44 49-62	Cap Gear

NOTE: All component dimensions given in U.S. inches
1 inch = 25.4 mm

TRACTOR - - MODEL NO. M125-97T (96041038101), PRODUCT NO. 960 41 03-81
MOWER DECK **44**



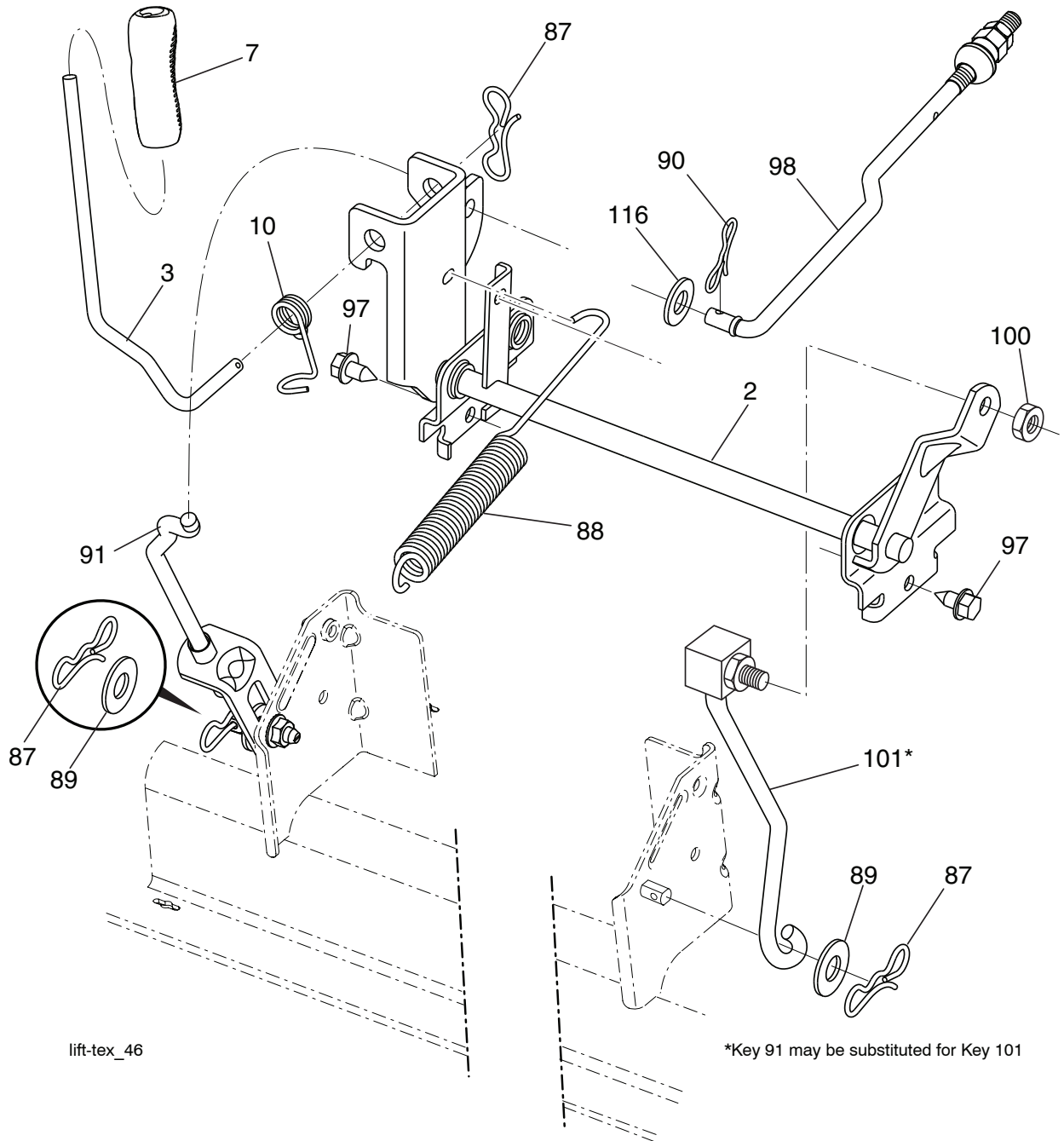
38-7_Tex-LT_34_r3

**TRACTOR - - MODEL NO. M125-97T (96041038101), PRODUCT NO. 960 41 03-81
MOWER DECK 44**

KEY NO.	PART NO.	DESCRIPTION	KEY NO.	PART NO.	DESCRIPTION
1	587 77 18-06	Deck Weldment	69	872 14 05-05	Bolt
6	532 19 51-86	Arm Suspension	70	532 40 12-46	Clutch Asm. Manual
7	532 41 63-58	Screw #10 x 0.750 BOS Thread	80	532 42 30-62	Palnut 1/4
11	581 11 63-01	Blade 38"	122	532 19 72-58	Keeper Belt Engine LH
12	584 30 93-01	Screw Sems 7/16-20 x 1	123	532 19 72-59	Keeper Belt Engine RH
13	587 25 65-01	Shaft Assembly, Mandrel	144	532 19 34-14	Keeper Belt
14	532 18 72-81	Housing, Mandrel	145	532 19 31-97	Pulley Idler
15	585 32 39-01	Bearing, Ball, Mandrel	147	532 40 18-72	Spring Return
19	532 19 65-39	Bolt, Shoulder	152	532 43 51-11	Manual Clutch Cable
21	873 68 05-00	Nut, Crownlock 5/16-18 unc	188	532 19 51-61	Stud Fastener
23	532 19 25-57	Bracket, Deflector	189	873 90 05-00	Nut Lock Hex Flange
24	532 10 53-04	Cap, Sleeve	195	817 00 06-12	Screw 3/8-16 x 3/4
25	532 19 70-26	Spring, Torsion, Deflector	199	532 40 00-95	Baffle Vortex
26	532 11 04-52	Nut, Push	205	817 49 04-16	Screw 1/4-20 x 1
27	532 40 16-18	Shield, Deflector	206	819 09 14-16	Washer 9/32 x 7/8 x 16 Ga.
29	532 13 14-91	Rod, Hinge	209	819 13 32-10	Washer 13/32 x 2 x 10
32	532 19 97-89	Pulley, Mandrel	241	532 15 29-27	Screw TT #10-32.5 3/8
33	532 40 02-34	Nut, Toplock, Flanged	242	532 41 55-98	Port Washout
34	872 11 06-12	Bolt Carr. Sh. 3/8-16 x 1-1/2 Gr. 5	243	532 40 65-10	Cover Deck 38
35	532 13 38-35	Fastener	247	532 43 02-59	Shield Deck LH
37	819 13 13-16	Washer	248	532 43 02-58	Shield Deck RH
38	532 19 95-41	Keeper Belt LH Mandrel	249	532 40 65-14	Cover Cable Clutch
40	873 90 06-00	Nut, Lock Flg. 3/8-16 unc	251	532 43 60-87	Kit Strap Bungee
41	584 95 39-01	Bolt Hex Wshr	253	532 42 73-50	Rivet
42	532 19 84-10	Spring Torsion Brake	280	817 67 06-08	Screw 3/8-16 x 1/2
43	532 19 72-56	Spring Torsion Retainer	--	587 25 33-01	Mandrel Assembly (Includes housing (key# 14), shaft assembly (key# 13), and bearing (key# 15) only - pulley/nut/washer and blade bolt/washers not included.)
46	532 13 77-29	Screw 1/4 - 20 x 5/8	--	532 40 04-22	Replacement Mower, Complete
55	532 19 72-49	Arm, Idler			
56	532 19 90-92	Spacer, Retainer			
57	817 00 06-16	Screw 3/8-16 x 1			
59	532 14 10-43	Guard, Tuv. Idler			
60	532 19 94-71	Arm Brake Mower			
63	532 19 94-70	Arm Brake Mower			
64	532 19 97-90	Link Brake			
67	532 40 30-12	Handle Clutch Cable			
68	532 40 83-81	V-Belt			

NOTE: All component dimensions given in U.S. inches
1 inch = 25.4 mm

TRACTOR - - MODEL NO. M125-97T (96041038101), PRODUCT NO. 960 41 03-81
MOWER LIFT 45

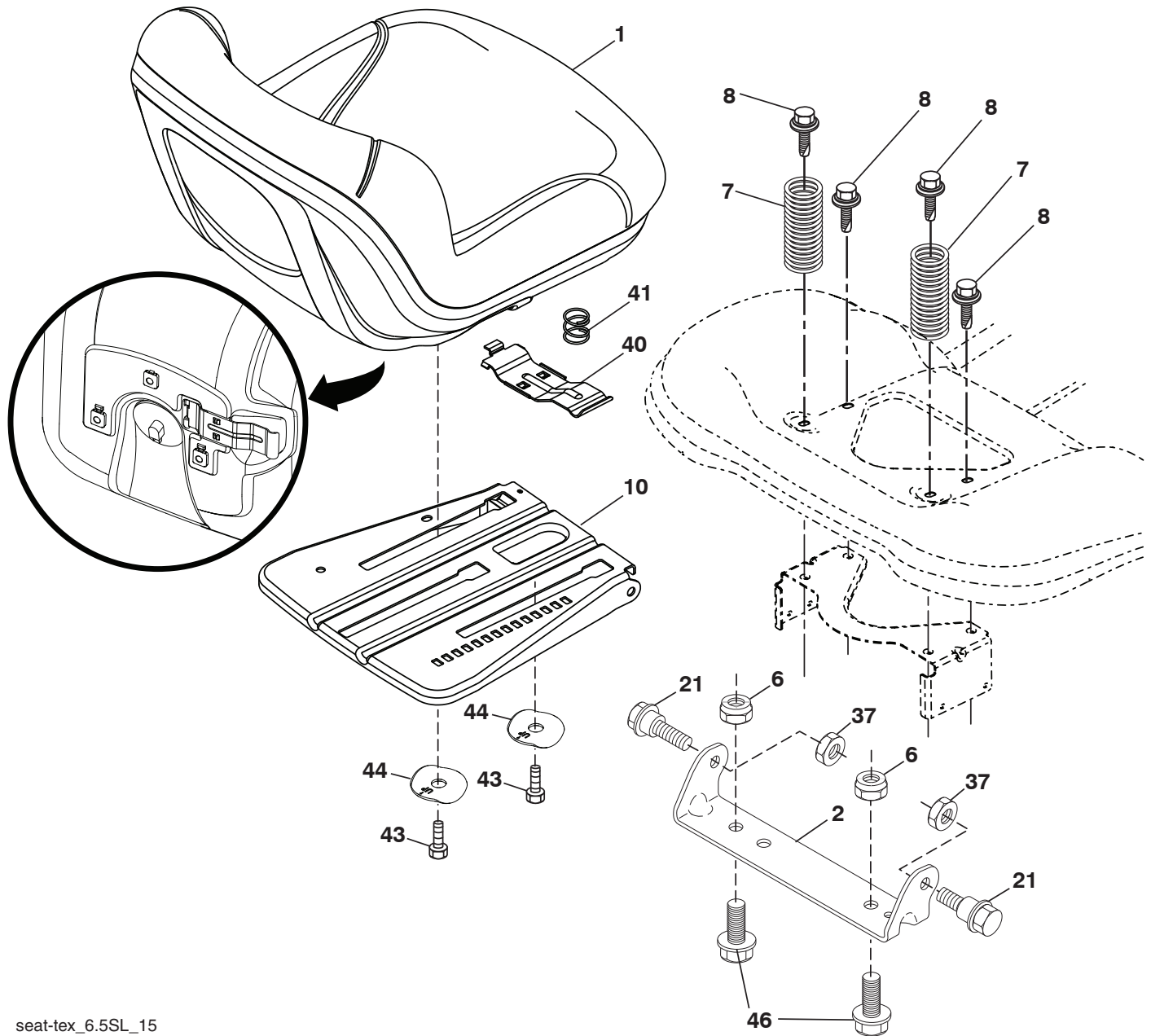


KEY NO.	PART NO.	DESCRIPTION
2	532 42 20-27	Shaft Asm., Lift
3	532 19 52-31	Lever Asm., Lift RH
7	580 96 23-01	Grip, Lever
10	532 19 63-14	Spring Torsion
87	532 19 42-09	Pin Cotter 7/16 Bow Tie Lock
88	532 41-07-10	Spring Lift Assist
89	819 19 19-12	Washer Clear Zinc
90	532 19 42-08	Pin Cotter 5/16 Bow Tie Lock

KEY NO.	PART NO.	DESCRIPTION
91	532 19 51-81	Link Lift Susp Mower Rear
97	817 00 06-12	Screw 3/8-16 x .75
98	532 19 52-70	Link Lift Susp. Front Mower
100	873 93 06-00	Nut Centerlock 3/8-16
101	532 40-70-03	Link Asm. Lift FXD
116	819 15 15-16	Washer 15/32 x 15/16 x 16 Ga.

NOTE: All component dimensions given in U.S. inches
 1 inch = 25.4 mm

**TRACTOR - - MODEL NO. M125-97T (96041038101), PRODUCT NO. 960 41 03-81
SEAT ASSEMBLY 42**



seat-tex_6.5SL_15

KEY NO.	PART NO.	DESCRIPTION
1	581 46 20-01	Seat
2	532 18 01-66	Bracket Pivot Fender
6	873 80 06-00	Nut, Lock w/Ins. 3/8-16 unc
7	589 48 35-01	Spring, Seat Cprsn
8	532 17 18-77	Bolt 5/16-18 unc x 3/4 w/Sems
10	587 23 20-02	Pan, Seat
21	587 90 78-01	Bolt, Shoulder 5/16-18 x 5/8
37	873 80 05-00	Nut, Lock 5/16-18 unc

KEY NO.	PART NO.	DESCRIPTION
40	532 19 76-61	Handle Slide
41	532 19 82-00	Spring Latch
43	874 76 06-12	Bolt Fin Hex 3/8-16 unc x 3/4
44	501 05 18-01	Washer Winged
46	588 09 04-01	Bolt 3/8-16 x 1, 1.25 OD

NOTE: All component dimensions given in U.S. inches
1 inch = 25.4 mm

