

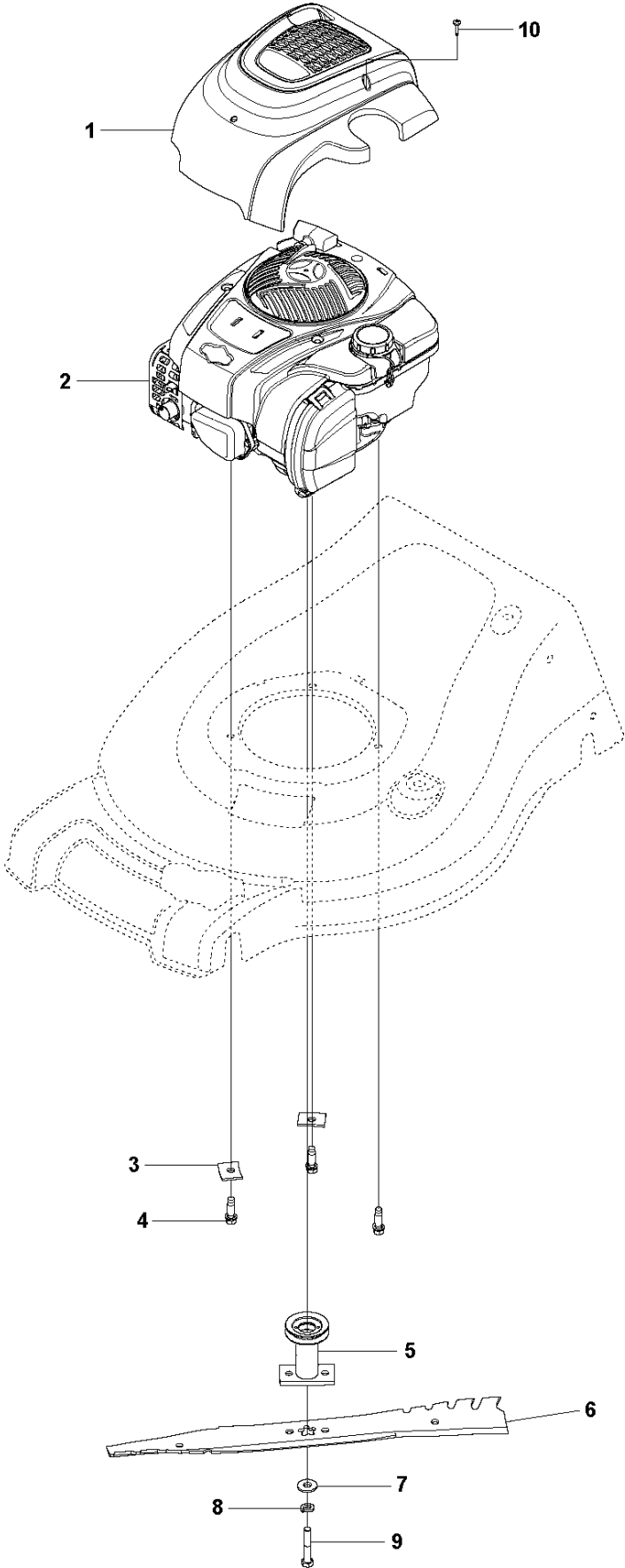


# SPARE PARTS LIST

LAWN MOWERS: CONSUMER  
WALK-BEHINDS

M53-150AP, 96121003500, 2016-09

**C** M53-150AP  
ENGINE

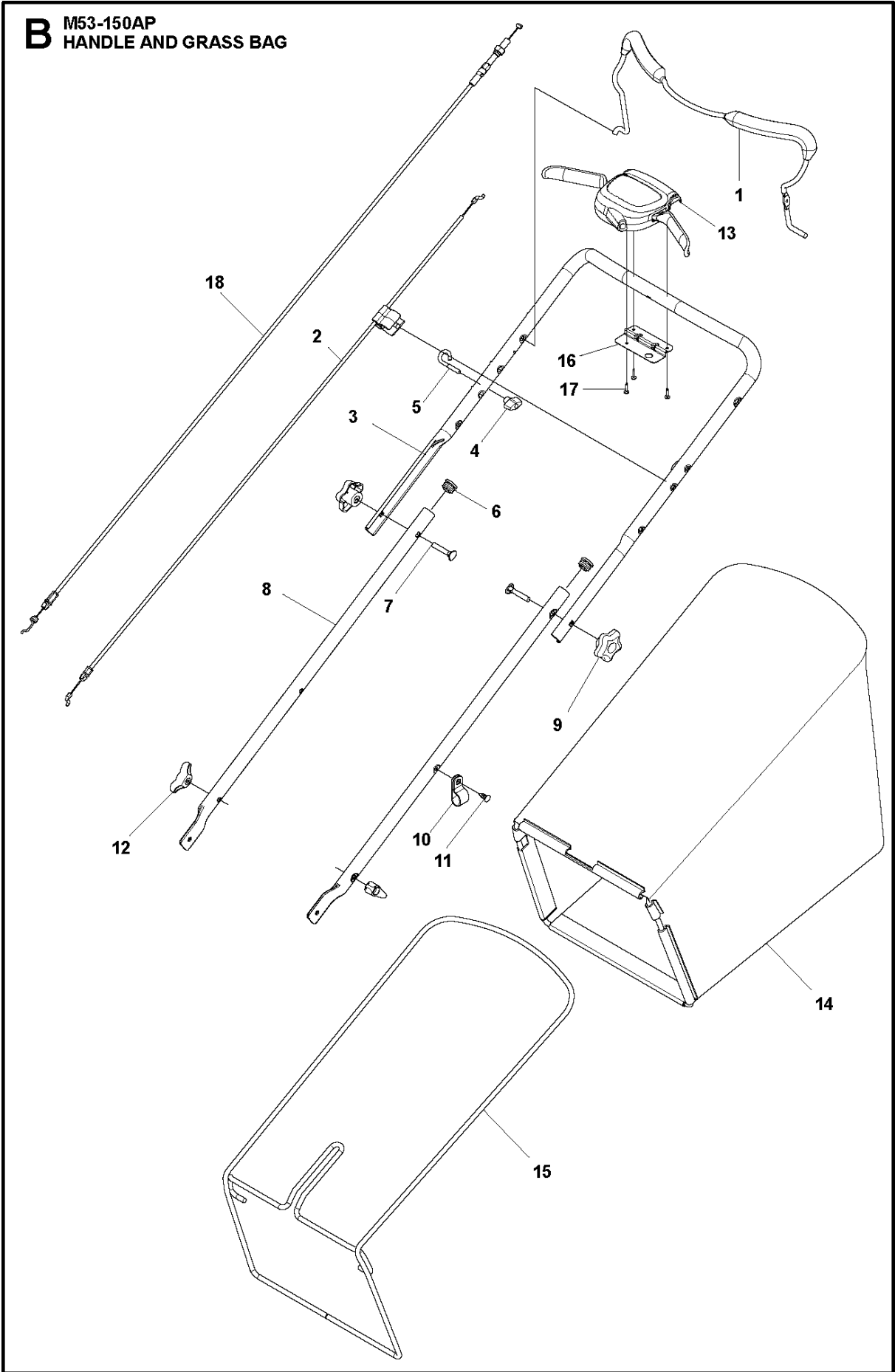


## ENGINE

M53-150AP, 96121003500, 2016-09

Ref	Part No	Description	Remark	QTY KIT
1	580 44 56-01	SHROUD	SHROUD	1
2	000 00 00-00	W/O DESCRIPTION	"93J02-0009-H1 (For engine service and replacement parts, call Briggs & Stratton at 1-800-233-3723)"	1
3	532 12 50-78	WASHER	Engine	2
4	532 15 04-06	BOLT	"Engine, 3/8-16"	1
5	582 89 02-01	ADAPTER	"7/8, 21"" AWD"	
6	532 19 93-77	MOWER BLADE		
7	532 85 10-74	WASHER	Hardened	
8	532 85 02-63	WASHER	"3/8, Helical Spring"	
9	582 38 84-01	BOLT	Hex Head Machine Screw	
10	532 18 16-98	SCREW		

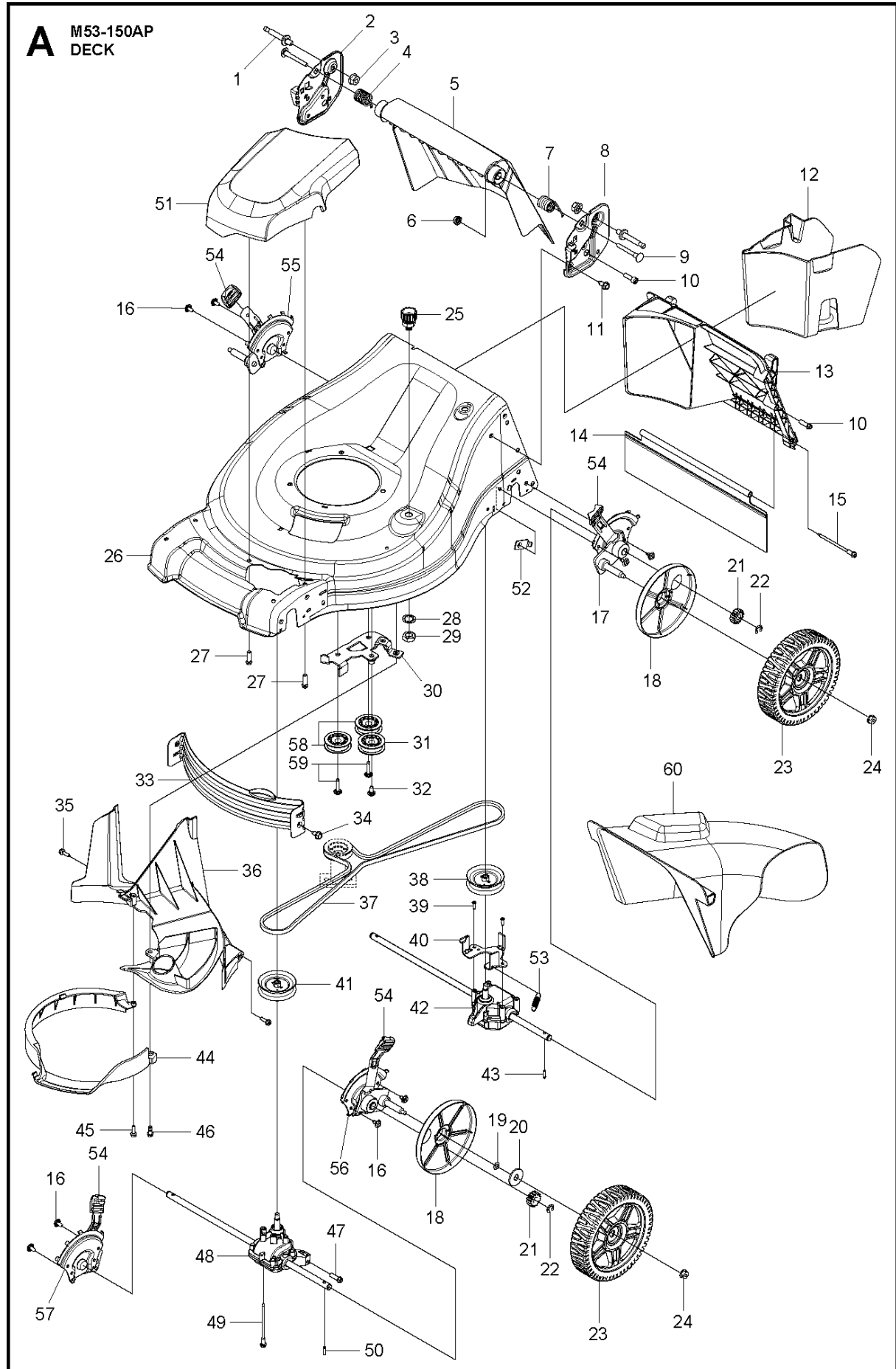
**B** M53-150AP  
HANDLE AND GRASS BAG



## HANDLE

M53-150AP, 96121003500, 2016-09

Ref	Part No	Description	Remark	QTY KIT
1	587 68 93-03	BAIL ARM ASSY	"Curved, Over-molded, Operator Presence"	1
2	532 42 74-97	CABLE	Operator Presence Bail	1
3	580 63 87-05	HANDLE	Curved	1
4	581 91 26-01	KNOB	"T, Rope Guide"	1
5	581 90 21-01	GUIDE	Rope	1
6	532 43 75-16	PLUG	"Plastic, 7/8, 14-20 Gauge"	2
7	588 04 04-01	BOLT	"Concave Head, Retaining"	2
8	501 06 40-03	HANDLEBAR	"Lower 2 piece, 3 Position"	1
9	532 18 23-98	KNOB	"Handle, Star"	1
10	532 19 79-91	CLIP	P/Cable	1
11	532 42 81-24	FASTENER	"Push, 0.250 X 0.783"	1
12	532 19 19-38	KNOB	"Handle, STANDARD"	2
13	587 42 00-02	CONTROL	Drive	1
14	587 10 04-07	GRASS BAG ASSY	"Husqvarna 21"" AWD"	1
15	586 92 91-02	BAG FRAME	Grass bag	1
16	587 24 93-02	BACKPLATE	Dual trigger	1
17	532 18 16-98	SCREW		3
18	587 42 11-01	CABLE	Drive	1



## MOWER DECK / CUTTING DECK

M53-150AP, 96121003500, 2016-09

Ref	Part No	Description	Remark	QTY KIT
60	582 26 19-01	CHUTE		1
1	587 01 52-01	BOLT	"Handle, Pivot, 5/16-18"	2
2	589 19 78-03	HANDLEBAR BRACKET	"Adjustable Handle, Right"	1
3	587 59 99-01	NUT	"Serrated Flange, 5/16-18"	2
4	587 25 06-01	SPRING	"Right, Door"	1
5	586 13 80-04	DOOR	Rear	1
6	532 41 32-84	NUT	"Flanged, 3/8-16"	2
7	587 24 98-01	SPRING	"Left, Door"	1
8	589 19 76-03	HANDLEBAR BRACKET	"Adjustable Handle, Left"	1
9	587 19 89-01	BOLT	Pivot. 3/8-16	2
10	587 28 11-01	SCREW	"Hi-Lo, 5/16-14 X T-45"	3
11	817 00 05-10	BOLT	"Hex, 5/16"	2
12	586 92 27-01	MULCHING PLUG		1
13	586 13 75-01	INSERT	Rear	1
14	586 69 88-01	GUARD	Rear	1
15	587 43 82-01	SCREW	"Hi-Lo, 5/16-14 X 4.10"	1
16	581 12 76-01	SCREW	1/4-20 Tri-lobe	8
17	586 92 01-11	HEIGHT ADJUSTER	"4-Point, Left Rear"	1
18	581 84 04-01	DUST COVER	Wheel	4
19	532 19 74-80	O-RING		2
20	532 06 77-25	WASHER	1/2 X 1-1/2 X .134	2
21	532 40 48-35	PINION	"14 Tooth, AWD"	2
22	812 00 00-58	E-CLIP	"7/16, RE-Style"	2
23	581 68 55-07	WHEEL	"8 X 2, AWD"	4
24	532 40 91-48	NUT	"Hex Flange, 3/8-16"	4
25	532 43 49-94	PORT		1
26	588 61 02-10	HOUSING ASSY	"21"" AWD"	1
27	584 29 94-01	SCREW EHHFT	"Hi-Lo, 5/16 X 1.00"	2
28	532 41 55-85	LOCKWASHER	Star	1
29	532 41 55-86	LOCKING NUT	Hex	1
30	589 29 10-02	BRACKET	"Idler, AWD"	1
31	587 96 92-01	PULLEY	"Pulley, Idler"	1
32	581 12 76-01	SCREW	1/4-20 Tri-lobe	1
33	586 69 86-01	BAFFLE	Front	1
34	817 00 05-10	BOLT	"Hex, 5/16"	2
35	587 59 98-01	SCREW	"Hi-Lo, 13-16 X.750"	2
36	586 56 04-01	BELT COVER	Belt/Rear Baffle	1
37	580 36 46-09	BELT	"Drive, AWD"	1
38	586 96 30-01	PULLEY	"Transmission, AWD"	1
39	532 16 34-09	SCREW	"12 X 5/8, Hi/Lo Thread"	2
40	581 15 25-02	BRACKET	Rear Transmission	1
41	586 96 30-01	PULLEY	AWD	1
42	586 13 76-01	TRANSMISSION	"AWD, Rear"	1
43	532 40 48-45	PAWL, DRIVE	Drive	2
44	587 08 10-01	STRIPPER	Stripper	1
45	587 59 98-01	SCREW	"Hi-Lo, 13-16 X.750"	1
46	581 72 61-01	BOLT	"Shoulder, 1/4-20 Tri-lobe"	1
47	584 29 94-01	SCREW EHHFT	"Hi-Lo, 5/16 X 1.00"	1
48	586 13 78-01	TRANSMISSION	"AWD, Front"	1
49	587 43 82-01	SCREW	"Hi-Lo, 5/16-14 X 4.10"	1
50	532 40 48-45	PAWL, DRIVE	Drive	2
51	587 36 75-01	FRONT COVER	"Drive, AWD"	1
52	587 14 73-01	STRAP	Height adjuster bracket	2
53	581 35 13-01	SPRING	Rear Transmission	1
54	532 70 10-37	KNOB	Ergonomic	4
55	586 92 01-09	HEIGHT ADJUSTER	Right Rear	1
56	586 92 01-09	HEIGHT ADJUSTER	Left Front	1
57	586 92 01-11	HEIGHT ADJUSTER	Right Front	1
58	587 97 30-01	PULLEY		2
59	581 33 45-01	BOLT		2