

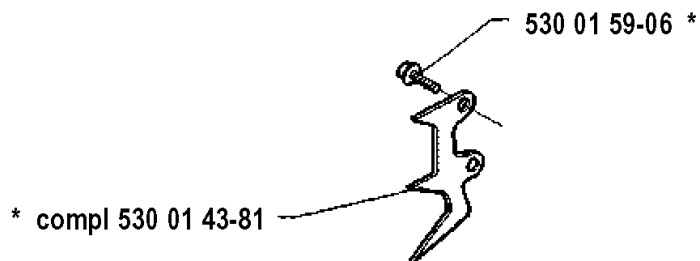


# SPARE PARTS LIST

CHAIN SAWS

CS42S, 2016-05

**N** Accessories  
Zubehöre  
Accessoires  
Acessorios  
Tillbehör

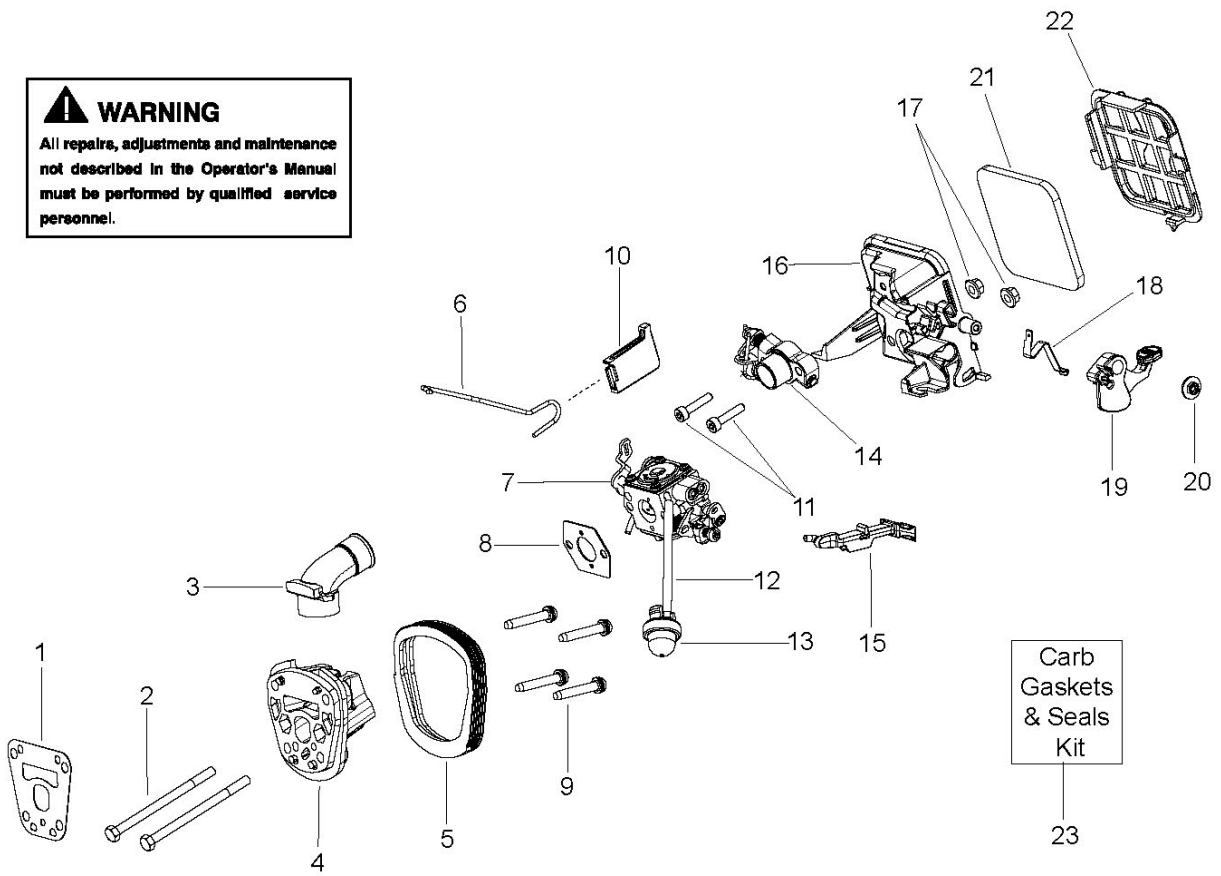


ACCESSORIES

CS42S, 2016-05

| Part No      | Description | Remark | QTY KIT |
|--------------|-------------|--------|---------|
| 530 01 43-81 | FELLING DOG |        | 1       |
| 530 01 59-06 | SCREW       |        | 1       |

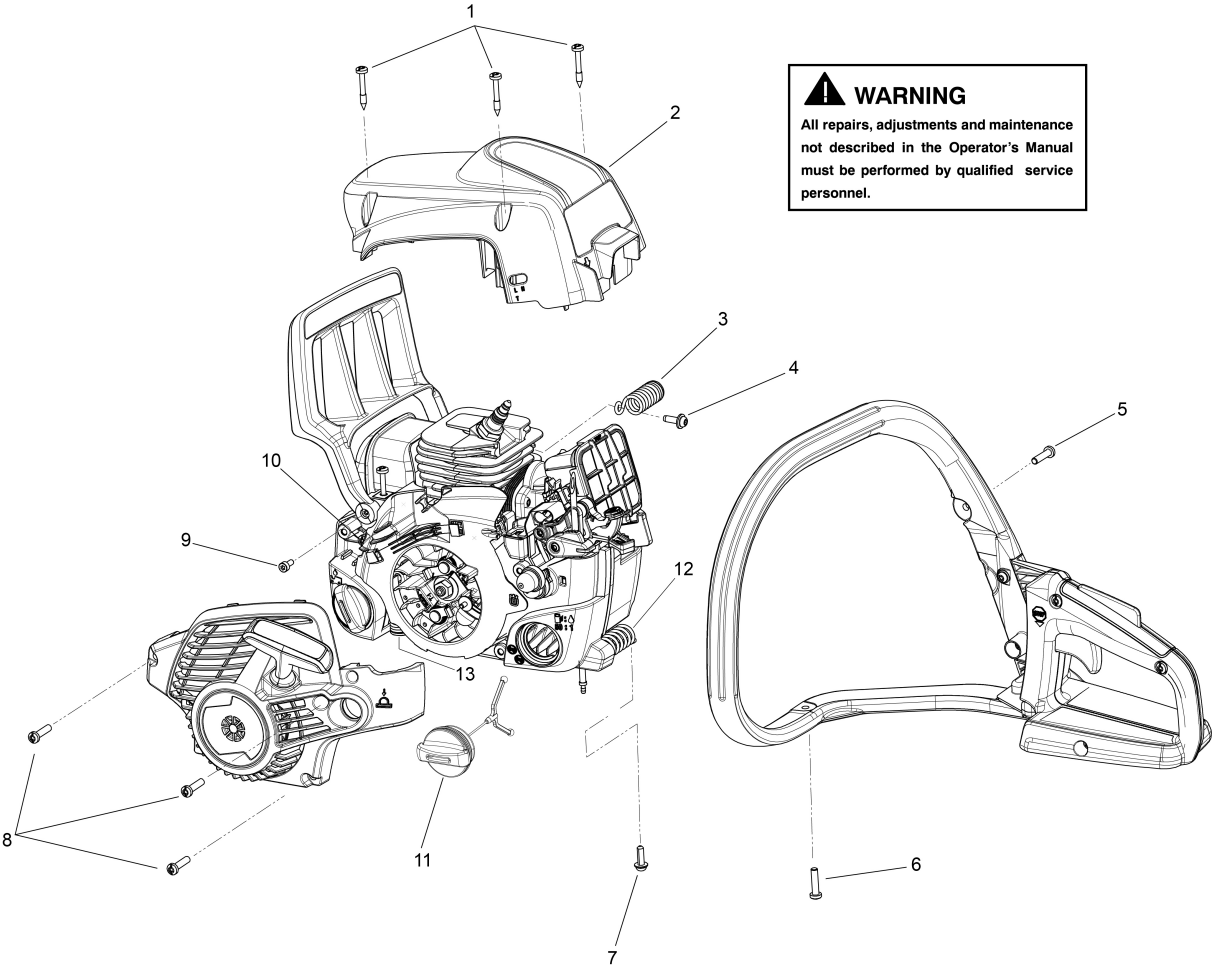
**⚠ WARNING**  
All repairs, adjustments and maintenance not described in the Operator's Manual must be performed by qualified service personnel.



## CARBURETOR

CS42S, 2016-05

| Ref | Part No      | Description | Remark                         | QTY | KIT          |
|-----|--------------|-------------|--------------------------------|-----|--------------|
| 1   | 585 30 91-01 | GASKET      | CYLINDER GASKET                | 1   |              |
| 2   | 587 36 04-01 | SCREW       | CARB STUD                      | 2   |              |
| 3   | 585 31 73-01 | BOOT        | CARB BOOT INTAKE               | 1   |              |
| 4   | 585 30 89-01 | ADAPTER     | CARB ADAPTOR                   | 1   |              |
| 5   | 585 31 74-01 | SEAL        | CARB ADAPTOR SEAL              | 1   |              |
| 6   | 585 05 89-01 | WIRE        | THROTTLE WIRE                  | 1   |              |
| 7   | 596 78 66-02 | SERVICE KIT | CARBURETOR                     | 1   | 7,8,12,13,14 |
| 8   | 585 69 51-01 | GASKET      | CARB GASKET                    | 1   |              |
| 9   | 587 12 74-01 | SCREW       | CARB ADAPTER TO CYLINDER SCREW | 4   |              |
| 10  | 585 43 61-01 | CAP         | THROTTLE WIRE CAP              | 1   |              |
| 11  | 545 00 35-11 | SCREW       | AIR VALVE TO FILTER SCREW      | 2   |              |
| 12  | 580 72 71-02 | FUEL HOSE   | FUEL LINE KIT                  | 1   |              |
| 13  | 586 68 83-01 | PURGE BULB  | PURGE BULB                     | 1   |              |
| 14  | 596 78 66-02 | SERVICE KIT | CARBURETOR                     | 1   | 7,8,12,13,14 |
| 15  | 585 31 56-01 | LEVER       | CHOKE LEVER                    | 1   |              |
| 16  | 585 31 54-01 | HOUSING     | AIR FILTER HOUSING             | 1   |              |
| 17  | 530 01 61-01 | NUT         | CARB NUT                       | 2   |              |
| 18  | 530 05 79-08 | SPRING      | IGNITION SWITCH SPRING         | 1   |              |
| 19  | 585 31 55-01 | LEVER       | IGNITION SWITCH LEVER          | 1   |              |
| 20  | 530 01 60-80 | SCREW       | SWITCH SCREW                   | 1   |              |
| 21  | 585 31 57-01 | FILTER      | FILTER ELEMENT                 | 1   |              |
| 22  | 586 50 19-01 | COVER       | FILTER COVER                   | 1   |              |
| 23  | 587 45 59-03 | KIT         | CARB GASKETS AND SEALS         | 1   | 1,3,5,8      |



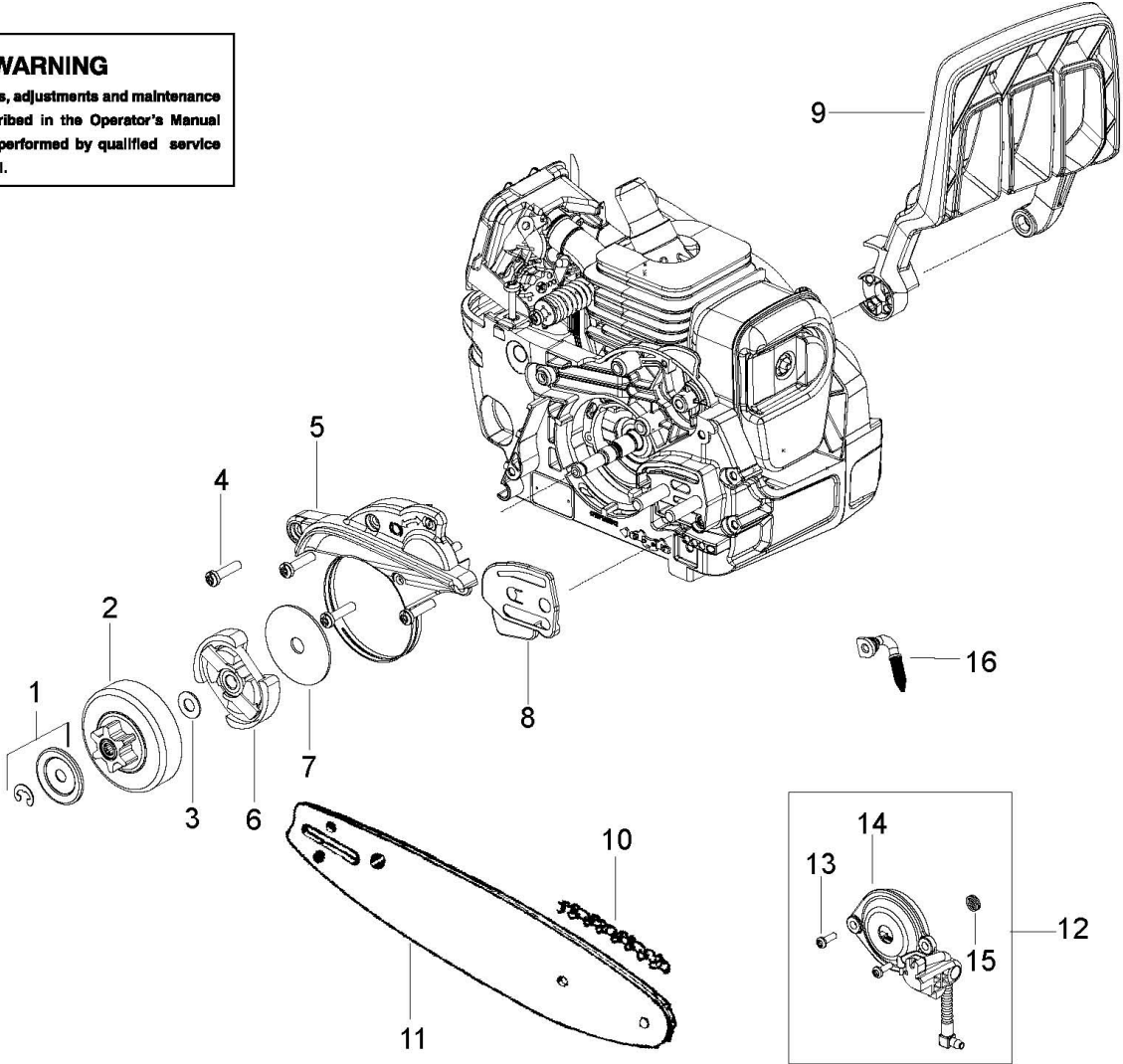
**⚠ WARNING**  
All repairs, adjustments and maintenance not described in the Operator's Manual must be performed by qualified service personnel.

## CHASSIS / FRAME

CS42S, 2016-05

| Ref | Part No      | Description   | Remark   | QTY KIT |
|-----|--------------|---------------|--|---------|
| 1   | 530 01 61-53 | SCREW         | CAPTIVE SCREW                                  | 3       |
| 2   | 586 56 14-01 | SHIELD        | CYLINDER SHIELD<br>(MCC/PP), STD CHOKE<br>CARB | 1       |
| 3   | 585 43 63-01 | SPRING        | UPPER REAR ISOLATOR<br>SPRING                  | 1       |
| 4   | 530 01 64-43 | SCREW         | SCREW  | 1       |
| 5   | 530 01 64-32 | SCREW         | SCREW M5.38-<br>14X22.225MM                    | 2       |
| 6   | 530 01 64-32 | SCREW         | SCREW M5.38-<br>14X22.225MM                    | 2       |
| 7   | 530 01 59-06 | SCREW         | SCREW  | 2       |
| 8   | 530 01 64-32 | SCREW         | SCREW M5.38-<br>14X22.225MM                    | 3       |
| 9   | 588 27 46-01 | SPRING        | HANDGUARD SPRING                               | 1       |
| 10  | 530 01 64-32 | SCREW         | SCREW M5.38-<br>14X22.225MM                    | 4       |
| 11  | 544 11 12-04 | TANK CAP ASSY | TANK CAP ASSY                                  | 2       |
| 12  | 585 00 57-01 | SPRING        | LOWER REAR ISOLATOR<br>SPRING                  | 1       |
| 13  | 586 44 81-01 | SPRING        | FRONT ISOLATOR<br>SPRING                       | 1       |

**WARNING**  
All repairs, adjustments and maintenance not described in the Operator's Manual must be performed by qualified service personnel.



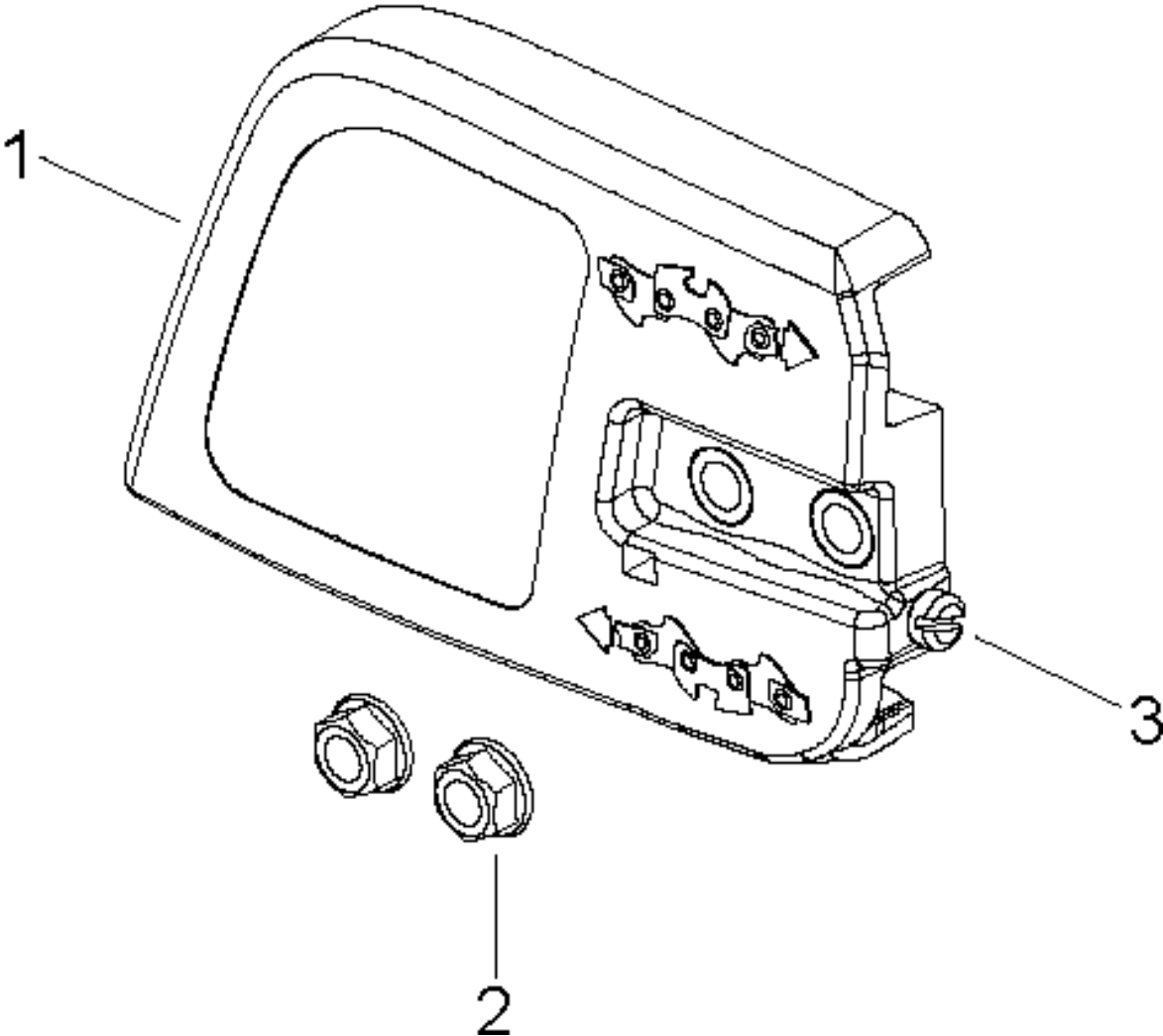


## CLUTCH

CS42S, 2016-05

| Ref | Part No      | Description        | Remark                                      | QTY KIT |
|-----|--------------|--------------------|---|---------|
| 1   | 530 07 19-45 | KIT                | CLUTCH WASHER KIT<br>(INCL. 3)              | 1       |
| 2   | 501 62 83-01 | CLUTCH DRUM ASSY   | CLUTCH DRUM<br>ASSEMBLY                     | 1       |
| 3   | 530 07 19-45 | KIT                | CLUTCH WASHER KIT<br>(INCL. 1)              | 1       |
| 4   | 530 01 64-32 | SCREW              | SCREW                                       | 4       |
| 5   | 530 07 18-93 | KIT                | CHAIN BRAKE KIT                             | 1       |
| 6   | 530 05 79-07 | CLUTCH ASSY        | CLUTCH ASSY                                 | 1       |
| 7   | 530 01 64-19 | WASHER             | LARGE CLUTCH<br>WASHER                      | 1       |
| 8   | 530 05 79-10 | PLATE BAR MOUNTING | BAR MOUNTING PLATE                          | 1       |
| 9   | 586 56 12-01 | GUARD              | HANDGUARD                                   | 1       |
| 10  | 579 57 93-01 | CHAIN              | "CHAIN 91PX 14"" 3/8""<br>52DL (MCCULLOCH)" | 1       |
| 11  | 582 28 01-01 | BAR                | "BAR, MCCULLOCH 14 IN<br>(35 CM)"           | 1       |
| 12  | 530 07 18-91 | KIT                | OIL PUMP KIT                                | 1       |
| 13  | 545 22 71-01 | SCREW              | SCREW                                       | 2       |
| 14  | 530 05 79-31 | OIL PUMP ASSY      | OIL PUMP ASSEMBLY                           | 1       |
| 15  | 530 03 78-20 | WORM GEAR          | WORM GEAR                                   | 1       |
| 16  | 530 05 79-24 | ASSEMBLY           | OIL PICK-UP ASSEMBLY                        | 1       |

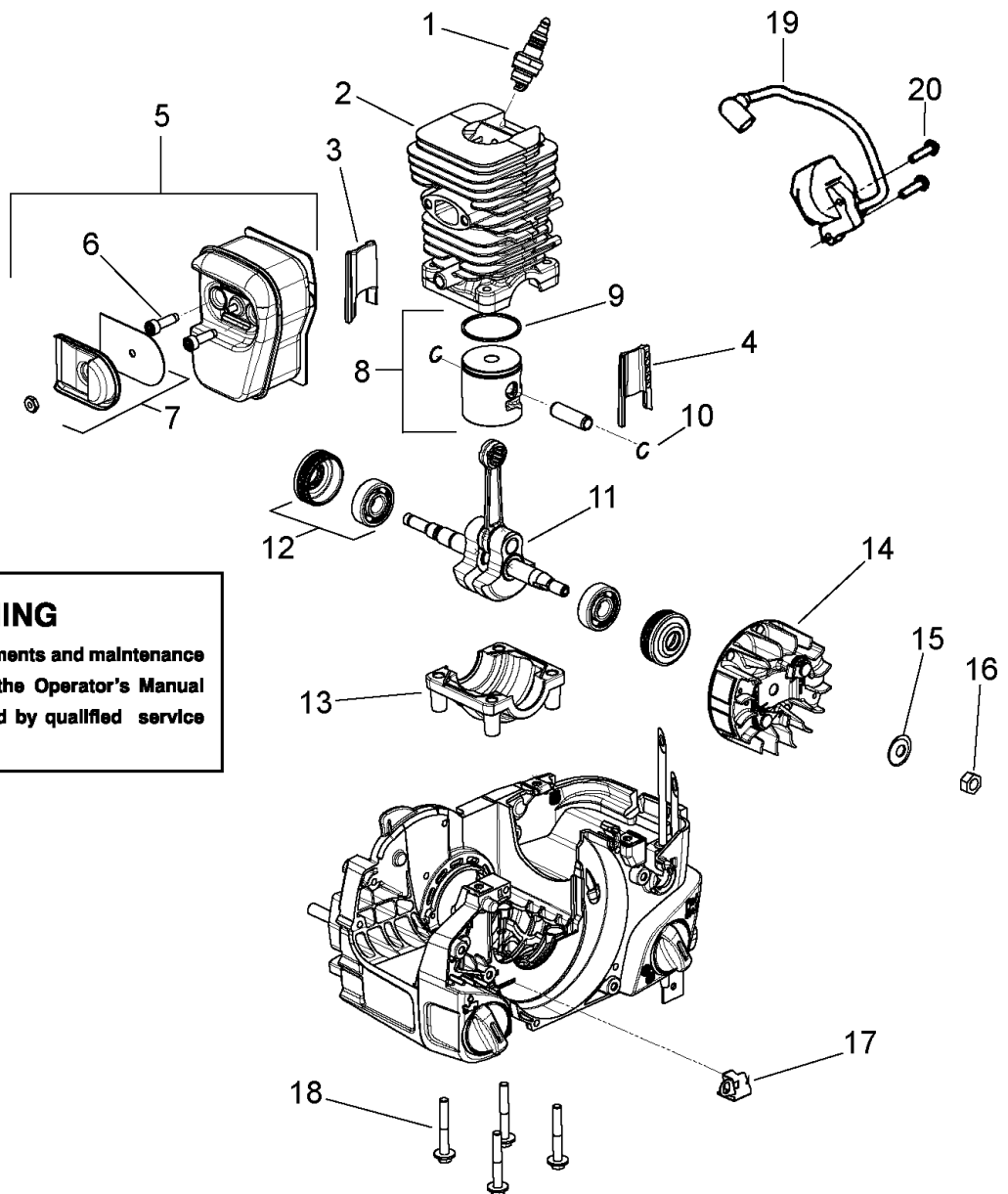
**⚠ WARNING**  
**All repairs, adjustments and maintenance not described in the Operator's Manual must be performed by qualified service personnel.**



CLUTCH COVER

CS42S, 2016-05

| Ref | Part No      | Description       | Remark                               | QTY KIT |
|-----|--------------|-------------------|--------------------------------------|---------|
| 1   | 545 01 22-01 | CLUTCH COVER ASSY | CLUTCH COVER ASSY<br>BLACK (INCL. 3) | 1       |
| 2   | 530 01 59-17 | NUT               | BAR NUT                              | 2       |
| 3   | 530 06 96-11 | RETAINER          | FRONT ADJUST SCREW<br>AND GEARS KIT  | 1       |

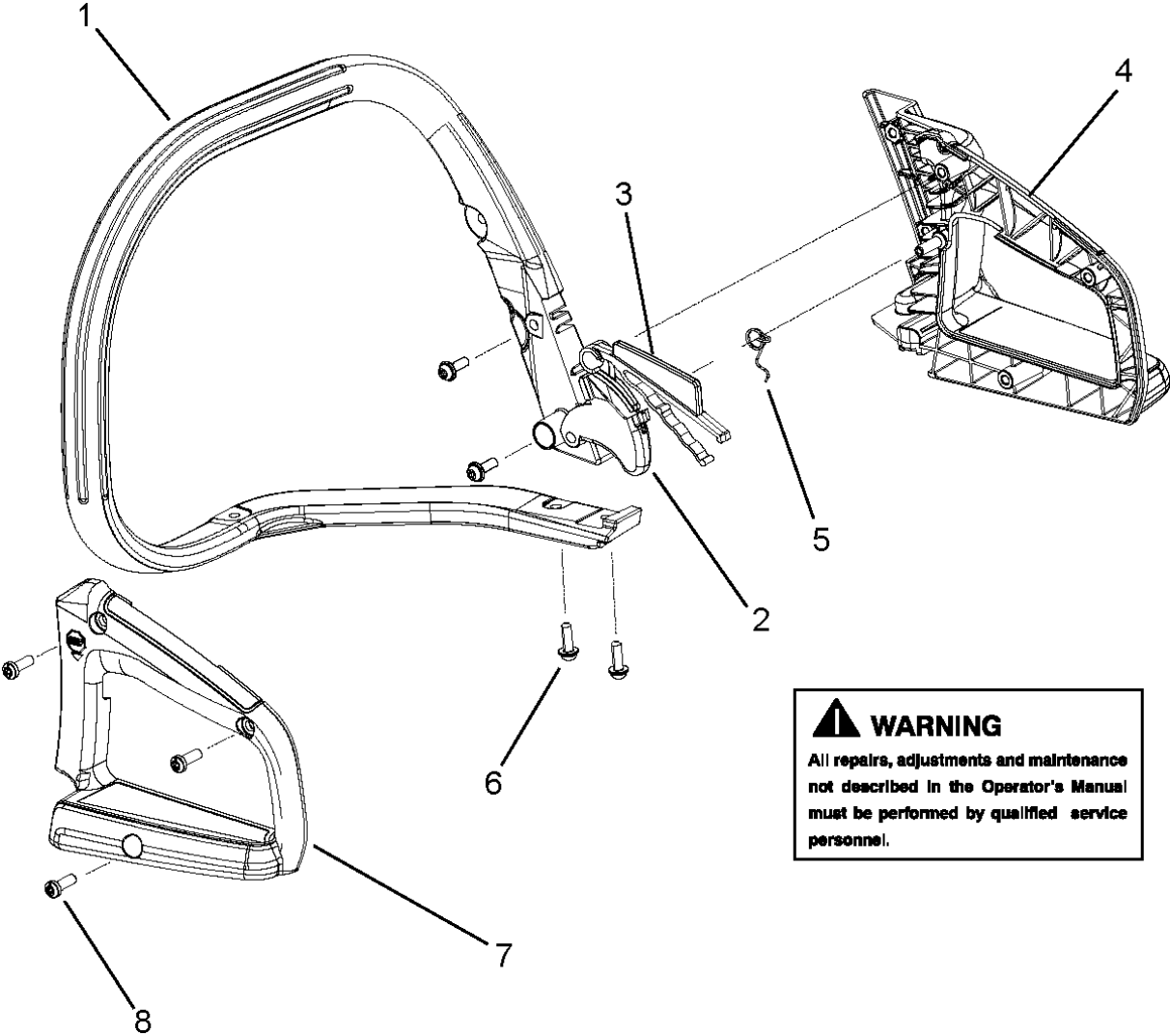


**⚠ WARNING**  
 All repairs, adjustments and maintenance not described in the Operator's Manual must be performed by qualified service personnel.

## CYLINDER

CS42S, 2016-05

| Ref | Part No      | Description    | Remark                                  | QTY KIT |
|-----|--------------|----------------|---|---------|
| 1   | 585 35 82-01 | SPARK PLUG     | "SPARK PLUG BRISK M14x1,25 HQT-1"       | 1       |
| 2   | 530 07 18-84 | KIT            | "CYLINDER KIT (INCL. CYLINDER, 3, 4)"   | 1       |
| 3   | 545 01 54-01 | INSERT         | RIGHT INSERT (GRAY)                     | 1       |
| 4   | 545 01 53-01 | INSERT         | LEFT INSERT (BLACK)                     | 1       |
| 5   | 501 80 90-01 | MUFFLER ASSY   | MUFFLER ASSY                            | 1       |
| 6   | 530 01 63-38 | BOLT           | MUFFLER BOLT                            | 2       |
| 7   | 545 08 17-01 | SPARK ARRESTER | SPARK ARRESTER ASSY                     | 1       |
| 8   | 582 02 31-01 | SERVICE KIT    | "PISTON KIT (INCL. PISTON, PIN, 9, 10)" | 1       |
| 9   | 545 16 04-01 | PISTON RING    | PISTON RING                             | 1       |
| 10  | 530 01 56-97 | LOCKING RING   | PISTON PIN RETAINER                     | 2       |
| 11  | 587 60 25-01 | CRANKSHAFT     | CRANKSHAFT & CON ROD ASSY               | 1       |
| 12  | 530 05 63-63 | BEARING        | CRANKSHAFT BEARING & SEAL ASSY          | 2       |
| 13  | 586 12 05-01 | CRANKCASE      | CRANKCASE CAP                           | 1       |
| 14  | 545 01 63-08 | FLYWHEEL ASSY  | FLYWHEEL ASSY                           | 1       |
| 15  | 530 01 51-27 | WASHER         | FLYWHEEL WASHER                         | 1       |
| 16  | 530 01 61-34 | NUT            | FLYWHEEL NUT                            | 1       |
| 17  | 585 36 56-01 | STRAP          | GROUND STRAP                            | 1       |
| 18  | 545 08 15-01 | BOLT           | CYLINDER BOLT                           | 4       |
| 19  | 583 94 49-03 | MODULE         | IGNITION MODULE                         | 1       |
| 20  | 530 01 64-32 | SCREW          | SCREW M5.38-14X22.225MM                 | 1       |



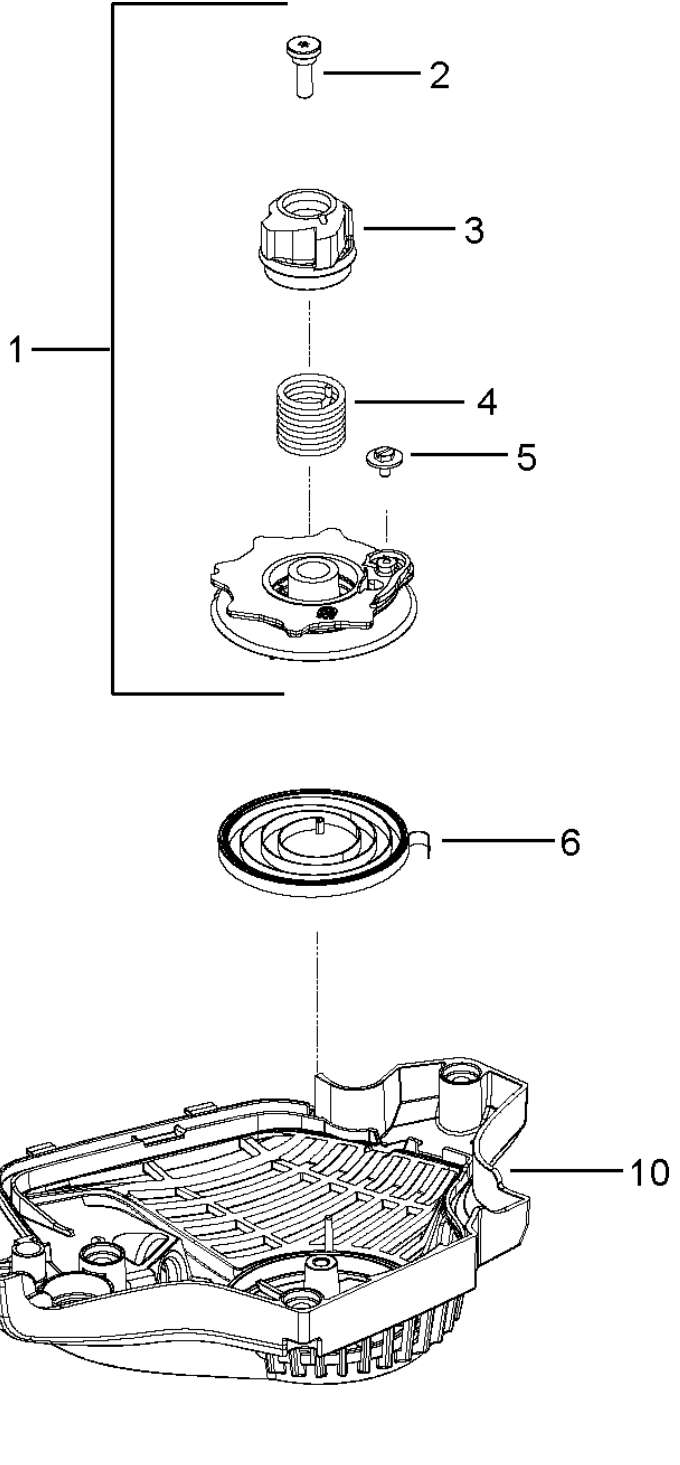
**▲ WARNING**  
All repairs, adjustments and maintenance not described in the Operator's Manual must be performed by qualified service personnel.

## HANDLE

CS42S, 2016-05

| Ref | Part No      | Description      | Remark            | QTY KIT |
|-----|--------------|------------------|-------------------|---------|
| 1   | 585 43 54-01 | HANDLE           | FRONT HANDLE      | 1       |
| 2   | 585 43 59-02 | TRIGGER          | TRIGGER (GOLD)    | 1       |
| 3   | 585 43 60-02 | THROTTLE LOCKOUT | LOCKOUT (GOLD)    | 1       |
| 4   | 585 43 56-01 | HANDLE           | REAR HANDLE       | 1       |
| 5   | 585 18 73-01 | SPRING           | TRIGGER SPRING    | 1       |
| 6   | 530 01 59-06 | SCREW            | SCREW             | 4       |
| 7   | 585 43 57-01 | HANDLE           | REAR HANDLE COVER | 1       |
| 8   | 530 01 63-49 | SCREW            | SCREW             | 3       |

**⚠ WARNING**  
All repairs, adjustments and maintenance not described in the Operator's Manual must be performed by qualified service personnel.





## STARTER

CS42S, 2016-05

| Ref | Part No      | Description    | Remark                                       | QTY KIT |
|-----|--------------|----------------|--|---------|
| 1   | 530 07 19-66 | STARTER PULLEY | "EPS STARTER KIT<br>(INCL. 2,3,4,5, PULLEY)" | 1       |
| 2   | 530 02 11-79 | SCREW          | SCREW  | 1       |
| 3   | 530 05 96-77 | SLEEVE         | EPS STARTER HUB<br>SLEEVE                    | 1       |
| 4   | 530 02 11-80 | SPRING         | TORSION SPRING                               | 1       |
| 5   | 530 01 60-80 | SCREW          | SCREW  | 1       |
| 6   | 576 65 78-01 | SPRING         | STARTER SPRING                               | 1       |
| 7   | 545 01 00-09 | HANDLE         | HANDLE AND ROPE<br>ASSY                      | 1       |
| 8   | 545 00 61-08 | HANDLE         | STARTER HANDLE<br>(GRAY)                     | 1       |
| 9   | 530 06 92-32 | STARTER ROPE   | STARTER ROPE                                 | 1       |
| 10  | 586 86 72-01 | FAN HOUSING    | FAN HOUSING (BLACK)                          | 1       |