

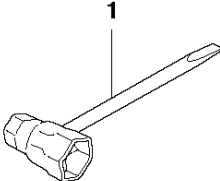


SPARE PARTS LIST

CHAIN SAWS

CS350, 966760314 from 2011-07 -

P CS350
ACCESSORIES



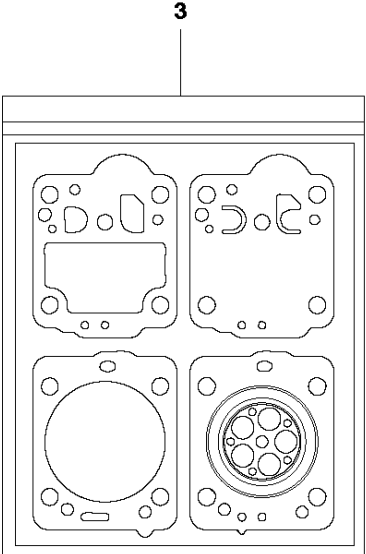
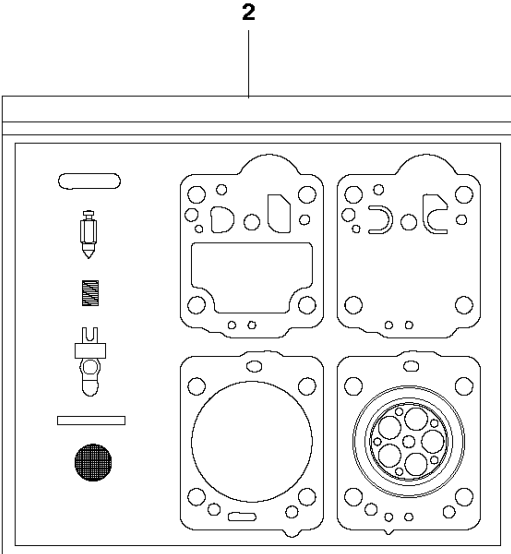
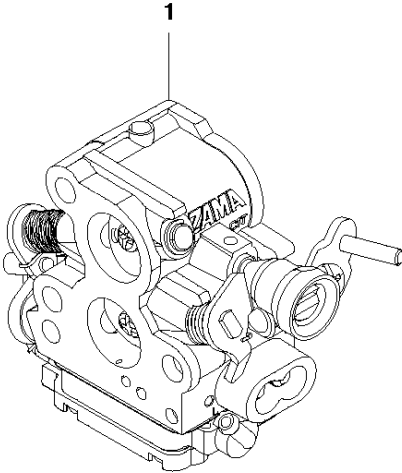
ACCESSORIES

CS350, 966760314 from 2011-07 -

Ref	Part No	Description	Remark	QTY KIT
1	576 86 59-02	COMBINATION WRENCH		1

N CS350
CARBURETOR

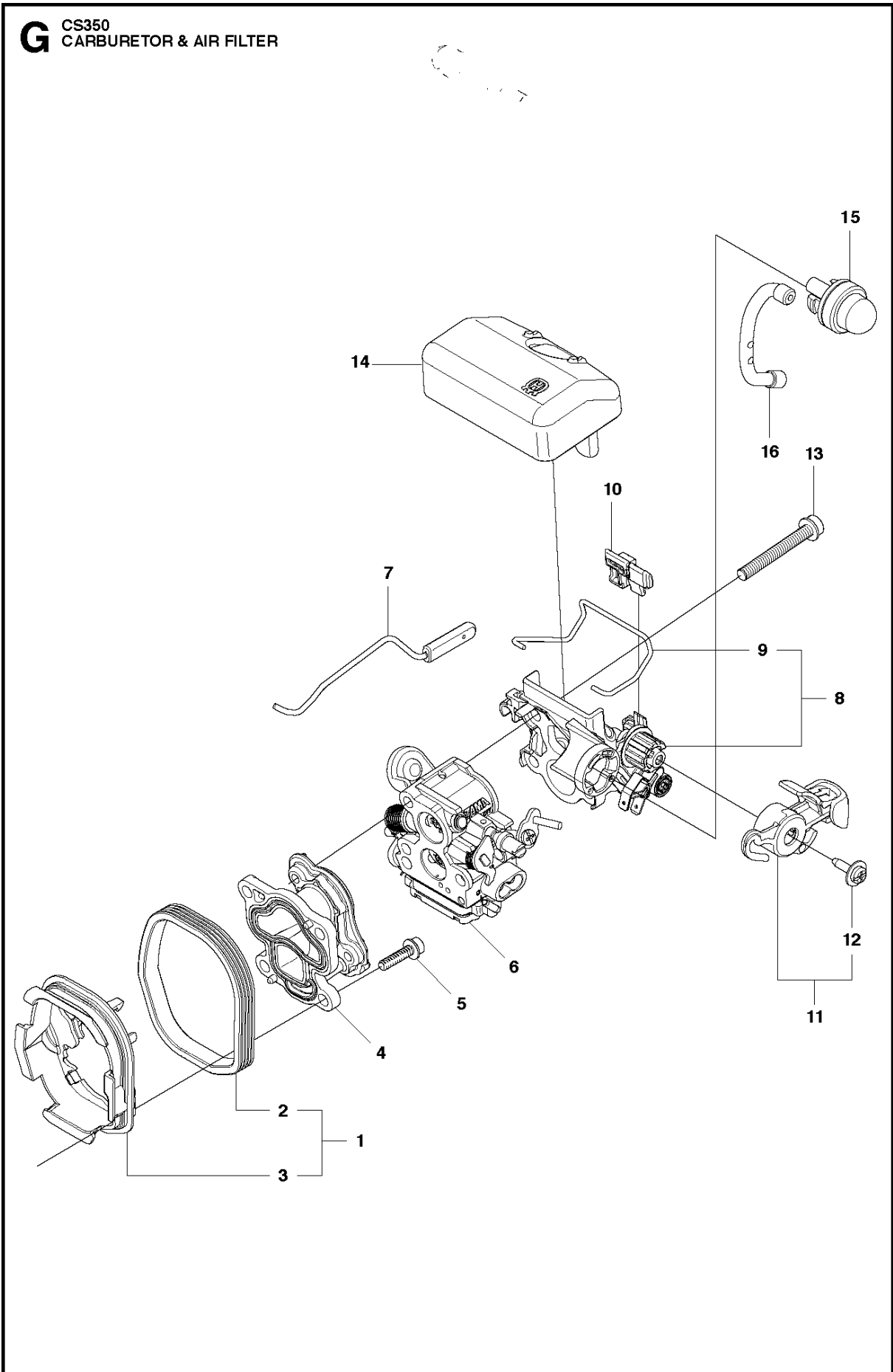
ZAMA C1T-EL41



CARBURETOR

CS350, 966760314 from 2011-07 -

Ref	Part No	Description	Remark	QTY KIT
1	506 45 05-01	CARBURETTOR		1
2	578 86 49-01	KIT		1
3	504 02 86-01	GASKET KIT		1

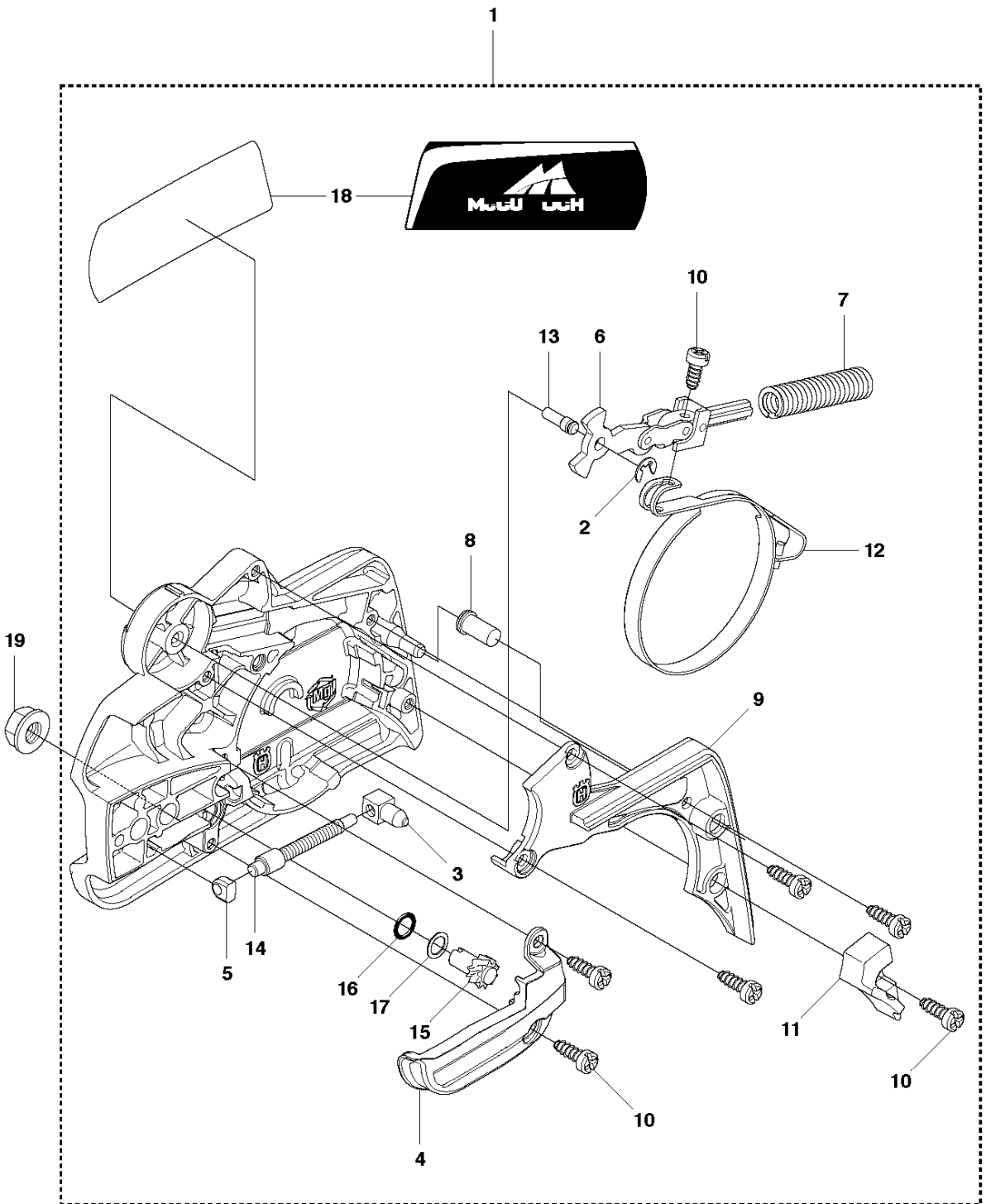


CARBURETOR & AIR FILTER

CS350, 966760314 from 2011-07 -

Ref	Part No	Description	Remark	QTY	KIT
1	504 72 47-02	INSULATION WALL		1	
2	504 72 45-01	INSULATION WALL		1	1
3	504 72 44-02	INSULATION WALL		1	1
4	504 20 12-01	INLET PIPE		1	
5	503 20 02-16	SCREW IHSCFM		4	
6	506 45 05-01	CARBURETTOR		1	
7	544 28 44-01	THROTTLE ROD ASSY		1	
8	544 97 64-01	FILTER HOLDER		1	
9	544 39 26-01	SHACKLE		1	8
10	504 71 25-01	GUIDE		1	
11	544 84 43-04	CONTROL		1	
12	544 97 66-01	SCREW		1	11
13	503 20 02-40	SCREW IHSCFM		3	
14	544 80 54-02	AIR FILTER	44 MICRON	1	
14	544 80 54-03	AIR FILTER	FELT	1	
15	503 93 66-01	PRIMER HOUSING		1	
16	544 40 19-01	HOSE		1	

A CS350
CHAIN BREAK & CLUTCH COVER

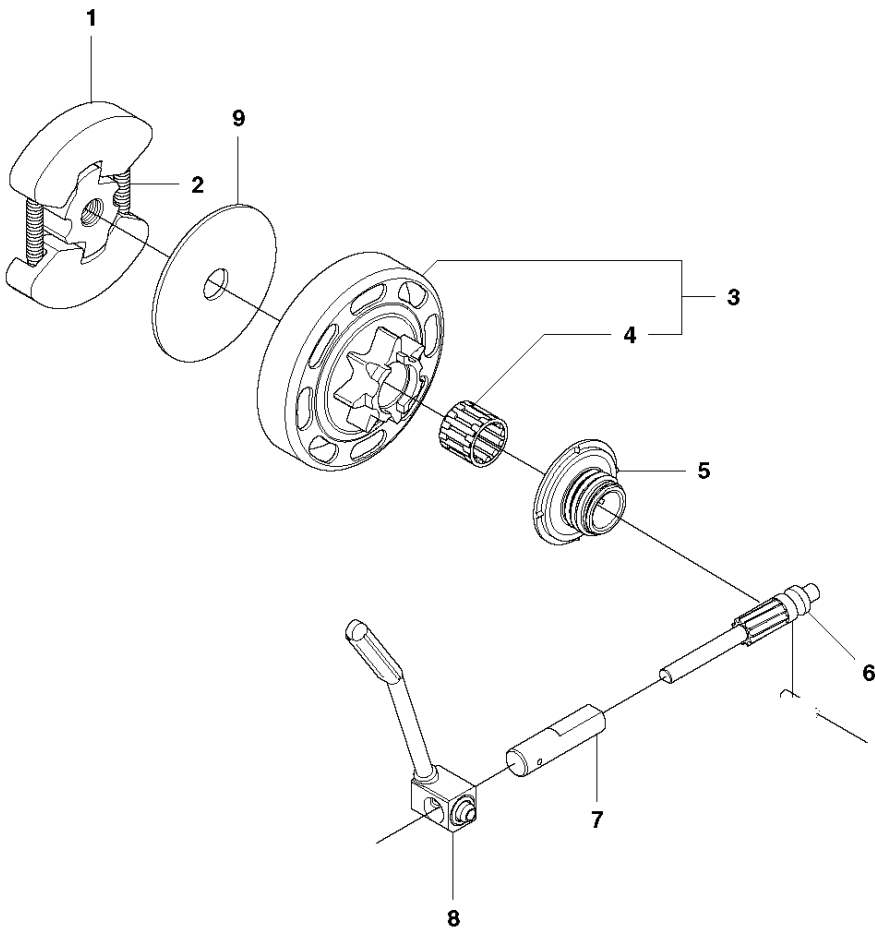


CHAIN BRAKE & CLUTCH COVER

CS350, 966760314 from 2011-07 -

Ref	Part No	Description	Remark	QTY KIT	
1	501 38 82-07	CLUTCH COVER ASSY			
2	735 31 08-20	E-CLIP		1	1
3	537 28 66-01	PAWL		1	1
4	540 06 33-01	CHAIN GUIDE		1	1
5	537 01 74-01	BEARING SLEEVE		1	1
6	503 89 08-02	KNEE JOINT ASSY		1	1
7	505 89 26-01	BRAKE SPRING		1	1
8	503 85 52-01	GUIDE BUSHING		1	1
9	544 24 85-01	COVER LID		1	1
10	503 21 70-10	SCREW CCRPANT		7	1
11	544 25 31-01	WEAR PROTECTION		1	1
12	544 30 60-01	BRAKE BAND ASSY		1	1
13	503 89 29-01	PIN KNEE-JOINT		1	1
14	537 39 70-01	WORM SCREW		1	1
15	537 07 94-02	WORM WHEEL		1	1
16	740 48 07-02	O-RING		1	1
17	503 23 00-63	WASHER		1	1
18	578 15 97-01	DECAL		1	1

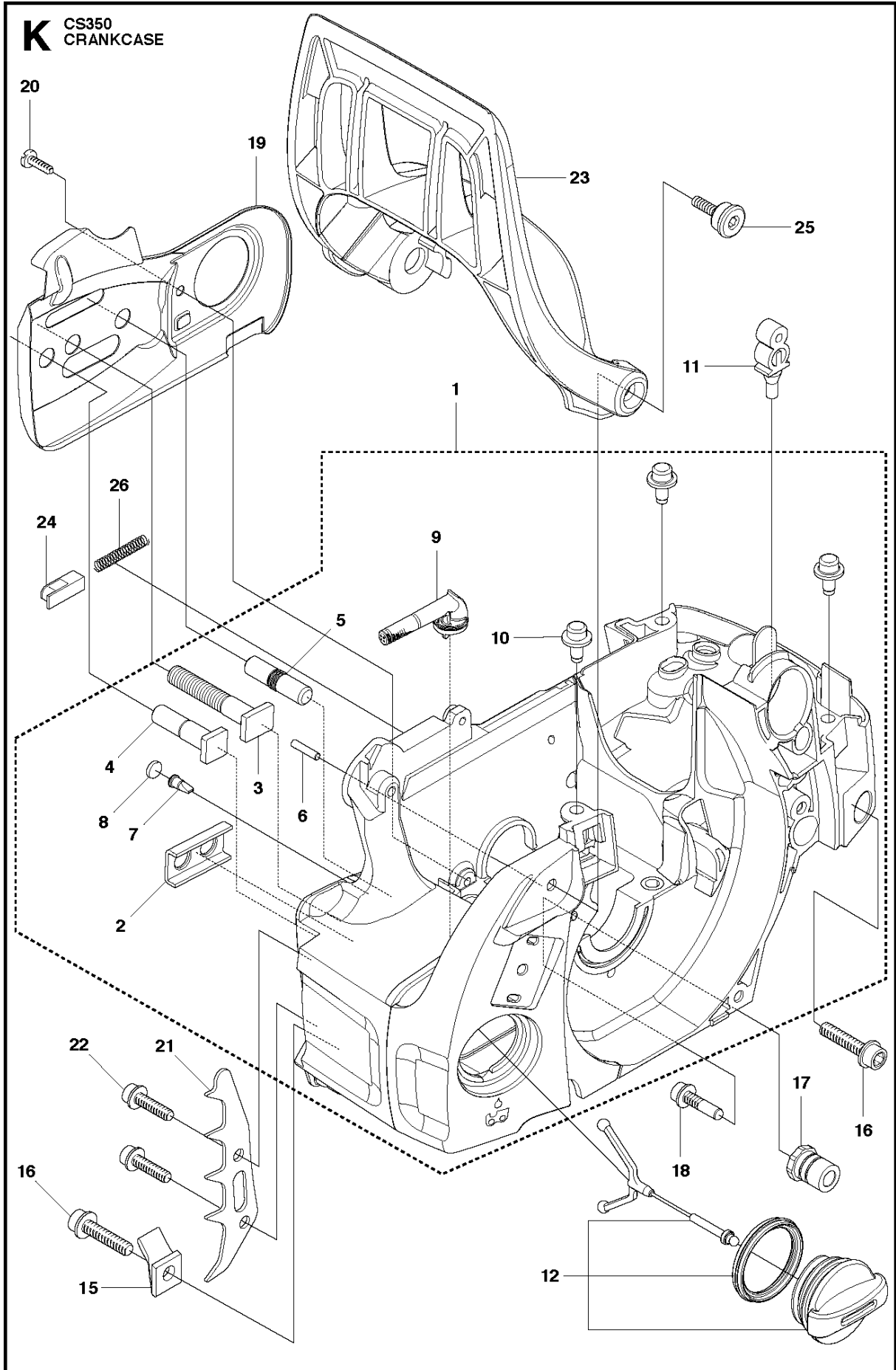
B CS350, CS390, CS410
CLUTCH & OIL PUMP



CLUTCH & OIL PUMP

CS350, 966760314 from 2011-07 -

Ref	Part No	Description	Remark	QTY	KIT
1	530 01 49-49	CLUTCH		1	
2	530 09 41-88	SPRING		1	1
3	578 25 71-01	CLUTCH DRUM		1	
4	503 53 92-01	NEEDLE BEARING		1	3
5	544 21 24-01	WORM GEAR		1	
6	540 05 79-01	PUMP PISTON		1	
7	537 15 48-01	PUMP CYLINDER		1	
8	544 08 42-01	OIL HOSE		1	
9	530 01 56-11	WASHER		1	

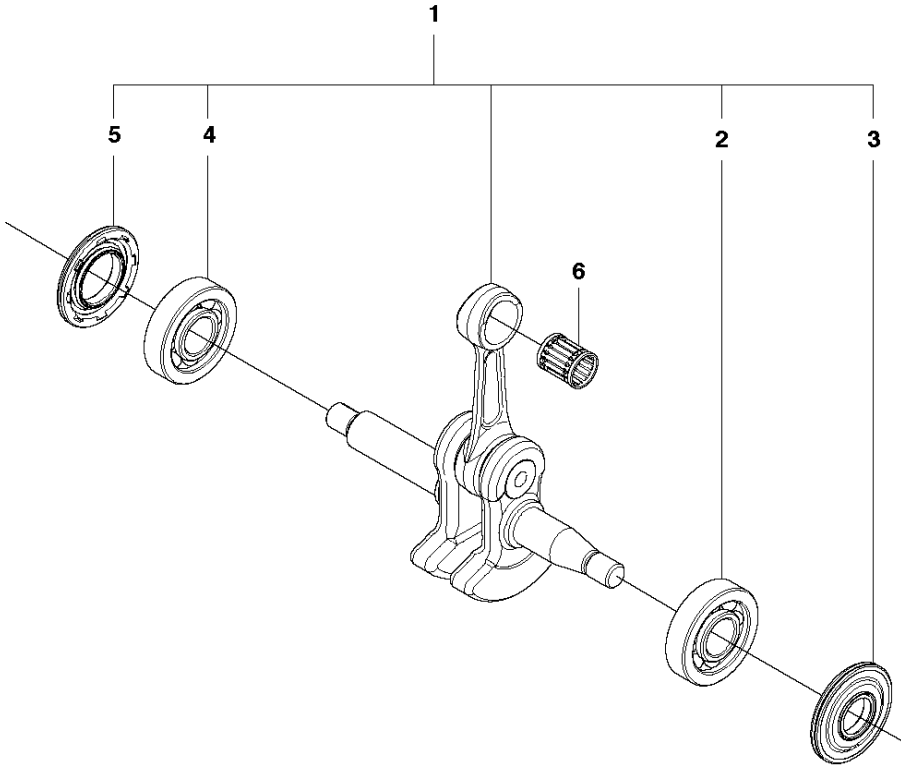


CRANKCASE

CS350, 966760314 from 2011-07 -

Ref	Part No	Description	Remark	QTY	KIT
1	576 24 78-01	CRANKCASE		1	
2	503 87 58-02	STIFFENING PLATE		1	1
3	503 87 54-02	BAR BOLT		1	
4	537 33 46-01	BAR BOLT		1	
5	544 03 64-01	BAR BOLT		1	1
6	503 24 09-05	NEEDLE ROLLER		1	1
7	530 02 61-19	CHECK VALVE		1	1
8	537 40 35-01	FILTER		1	1
7	530 02 61-19	CHECK VALVE		1	1
8	537 40 35-01	FILTER		1	1
9	544 08 33-01	OIL SCREEN		1	1
10	544 33 16-01	GUIDE PIN		3	1
11	503 86 93-01	CARBURETTOR		1	
12	544 11 12-02	TANK CAP ASSY		1	
15	503 88 63-01	PIN		1	
16	503 21 88-76	SCREW IHSC T		2	
17	501 00 76-01	LATERAL SUPPORT		1	
18	503 21 51-03	SCREW IHSC T		1	
19	544 28 46-01	CHAIN GUIDE PLATE		1	
20	503 21 70-10	SCREW CCRPANT		1	
21	544 28 65-01	INDRE BARKSTØD		1	
22	503 21 75-20	SCREW IHSCFT		2	
23	576 27 41-01	HAND GUARD		1	
24	503 89 24-01	LOCK		1	
25	503 89 30-01	SCREW		2	
26	503 43 65-01	POSITION SPRING		1	

J CS350
CRANKSHAFT

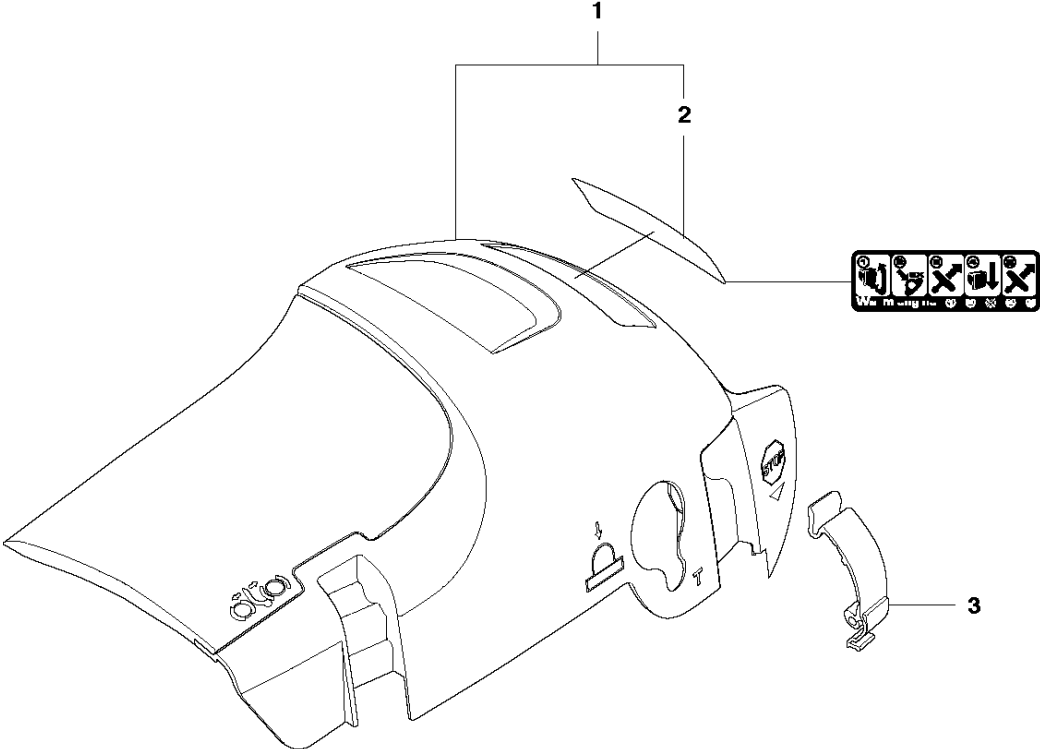


CRANKSHAFT

CS350, 966760314 from 2011-07 -

Ref	Part No	Description	Remark	QTY	KIT
1	544 34 38-01	CRANKSHAFT		1	
2	544 24 87-02	BALL BEARING		1	1
3	544 25 12-01	SEALING		1	1
4	544 24 88-02	BALL BEARING		1	1
5	544 25 13-01	SEALING		1	1
6	503 41 41-01	NEEDLE BEARING		1	

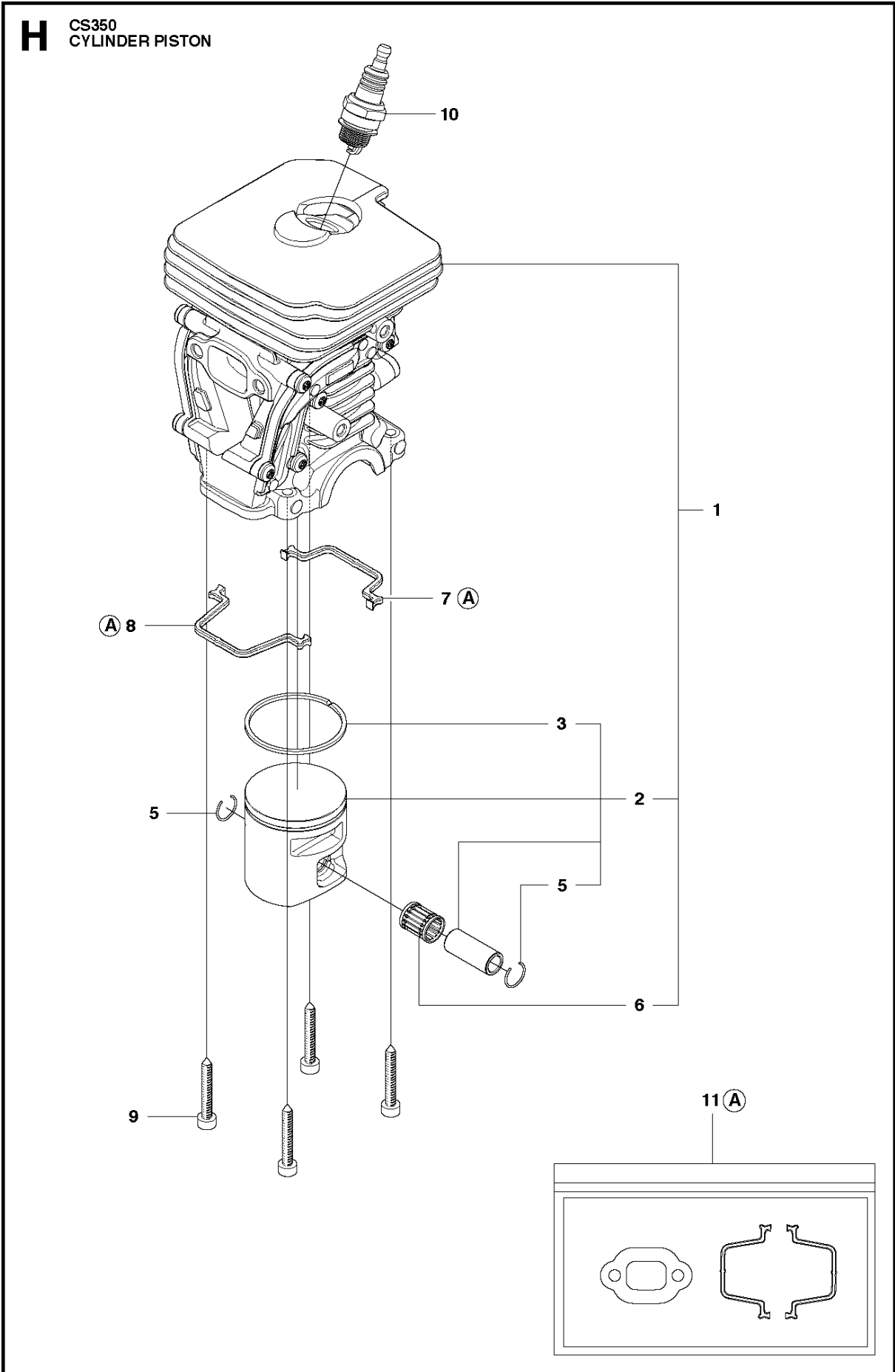
C CS350
CYLINDER COVER



CYLINDER COVER

CS350, 966760314 from 2011-07 -

Ref	Part No	Description	Remark	QTY	KIT
1	577 86 02-02	CYLINDER COVER ASSY		1	
2	576 95 14-01	DECAL		1	1
3	576 37 38-01	SNAP LOCKING		3	



CYLINDER PISTON

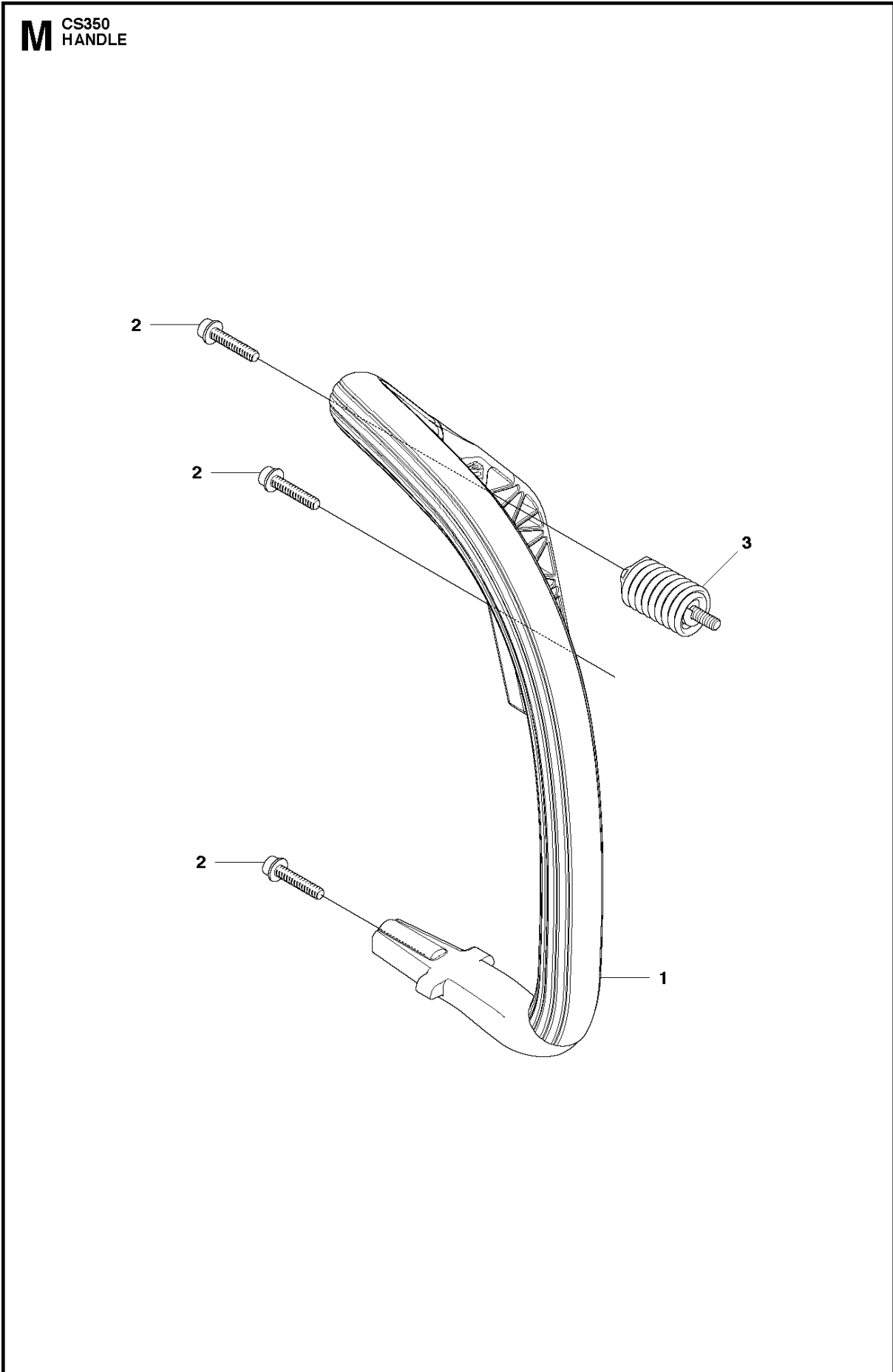
CS350, 966760314 from 2011-07 -

Ref	Part No	Description	Remark	QTY	KIT
1	504 73 51-04	CYLINDER		1	
2	502 62 50-02	PISTON ASSY		1	1
3	544 40 59-01	PISTON RING		1	1,2
5	737 44 10-00	SNAP RING		2	1,2
6	503 41 41-01	NEEDLE BEARING		1	1
7	544 39 60-01	GASKET		1	11
8	544 39 59-01	GASKET		1	11
9	725 53 33-55	SCREW IHSCM		4	
10	503 23 51-11	SPARK PLUG		1	
11	504 79 40-01	GASKET		1	

FUEL TANK

CS350, 966760314 from 2011-07 -

Ref	Part No	Description	Remark	QTY	KIT
1	576 27 35-01	FUEL TANK ASSY		1	
2	503 21 28-10	SCREW CCRPANT		1	
5	578 35 46-01	THROTTLE ASSY		1	
7	544 28 49-02	HANDLE INSERT		1	
8	544 12 86-01	FUEL HOSE		1	
9	503 44 32-01	FILTER		1	
10	544 12 97-01	RETURN HOSE		1	
11	544 11 12-02	TANK CAP ASSY		1	
14	544 37 50-01	LABEL		1	
15	501 00 76-01	LATERAL SUPPORT		1	
16	504 79 56-01	ANTIVIBRATION ELEMENT		2	1
17	721 12 63-39	GROOVED PIN		1	1
18	537 35 95-01	TANK VENT ASSY		1	1

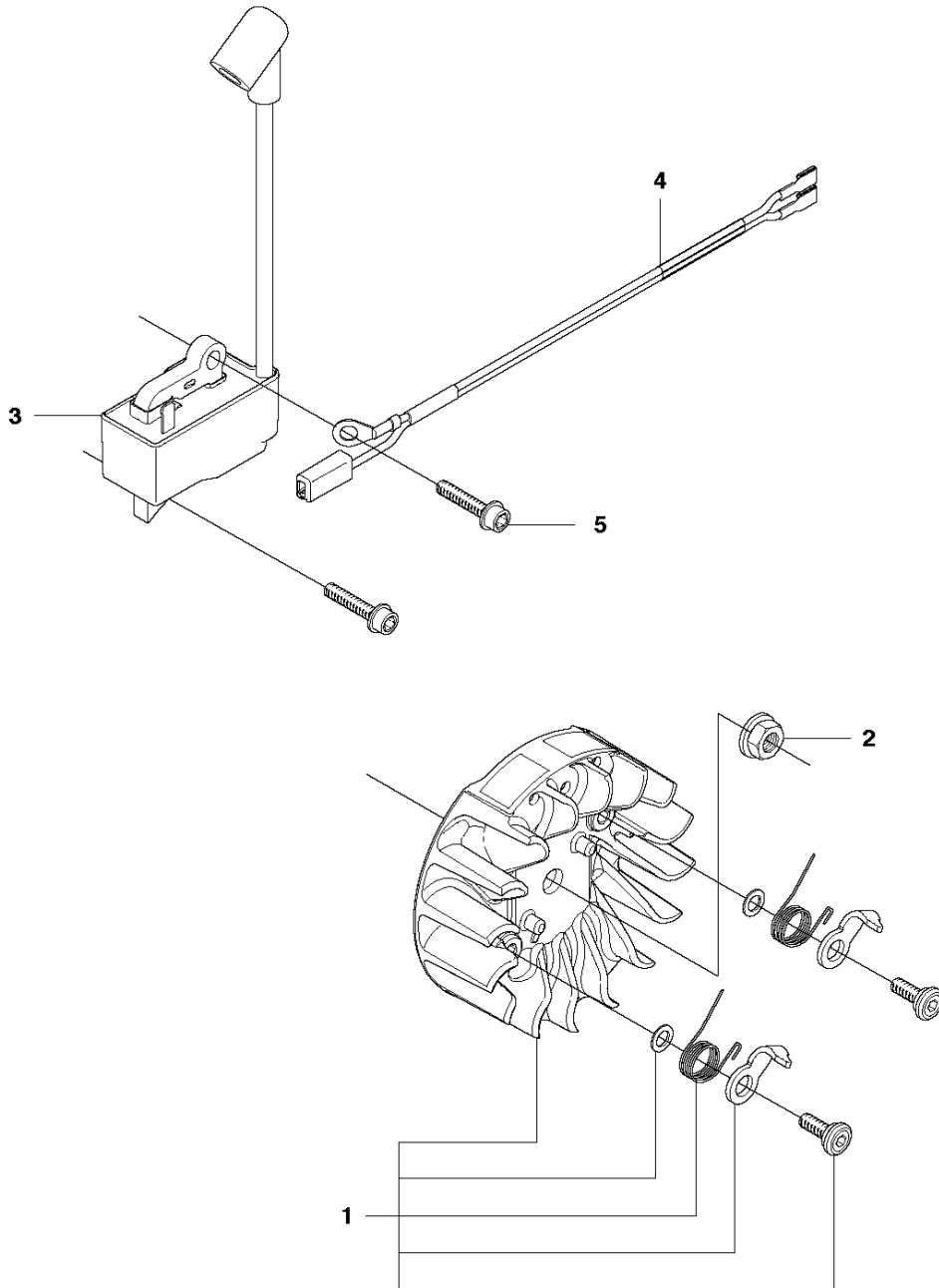


HANDLE

CS350, 966760314 from 2011-07 -

Ref	Part No	Description	Remark	QTY KIT
1	506 49 26-01	FRONT HANDLE		1
2	503 21 88-76	SCREW IHST		3
3	503 89 83-01	ANTIVIBRATION ELEMENT		1

E CS350
IGNITION SYSTEM

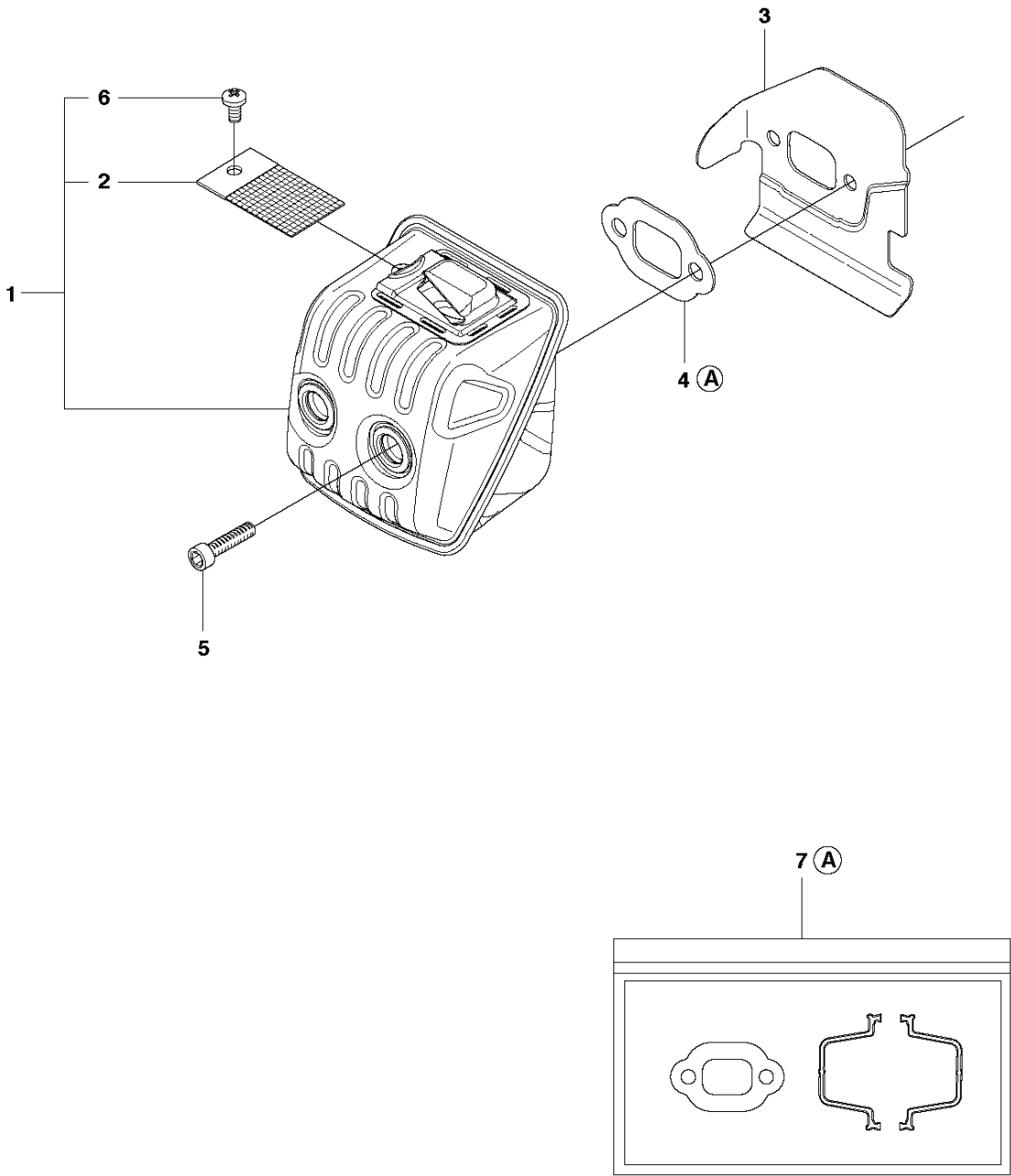


IGNITION SYSTEM

CS350, 966760314 from 2011-07 -

Ref	Part No	Description	Remark	QTY KIT
1	544 87 42-02	FLYWHEEL ASSY		1
2	503 22 04-01	NUT		1
3	576 70 56-02	IGNITION MODULE		1
4	510 10 14-01	WIRING ASSY		1
5	503 20 02-20	SCREW IHSCFM		2

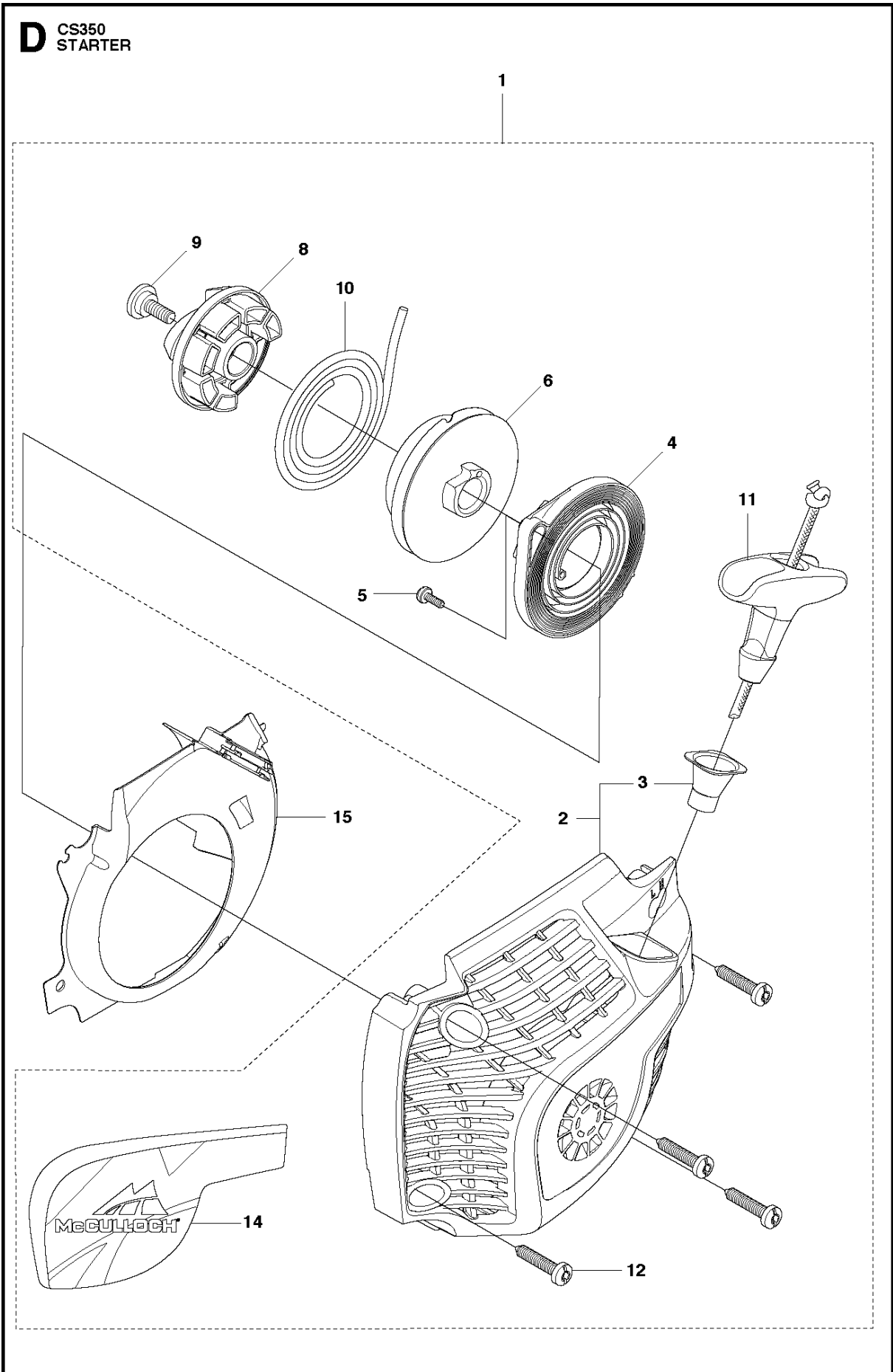
F CS350
MUFFLER



MUFFLER

CS350, 966760314 from 2011-07 -

Ref	Part No	Description	Remark	QTY	KIT
1	544 14 77-03	MUFFLER ASSY		1	
2	579 75 33-01	SCREEN		1	1
3	501 32 31-01	HEAT DEFLECTOR		1	
4	579 75 31-01	GASKET		1	7
5	725 53 68-55	SCREW IHSCM		2	
6	724 12 87-59	SCREW CRPANM		1	1
7	504 79 40-01	GASKET		1	



STARTER

CS350, 966760314 from 2011-07 -

Ref	Part No	Description	Remark	QTY	KIT
1	576 27 42-03	STARTER ASSY		1	
2	576 27 43-01	STARTER HOUSING		1	1
3	537 28 32-01	REINFORCEMENT SLEEVE		1	1,2
4	540 05 75-02	SPRING CASSETTE ASSY		1	1
5	503 21 28-10	SCREW CCRPANT		2	1
6	537 42 32-01	STARTER PULLEY		1	1
8	510 44 33-01	DRIVER		1	1
9	537 42 66-01	SCREW		1	1
10	505 30 51-25	STARTER CORD		1	1
11	576 37 46-01	STARTER HANDLE		1	1
12	503 21 73-21	SCREW		4	1
14	576 38 20-01	DECAL		1	1
15	576 27 44-01	AIR BAFFLE		1	

Illustrated Parts List - IPL Update



Product Name(s)

CS350

Description of change

1. Clutch assy. corrected.

Comments

This update is fully exchangeable.

Introduced from

Serial number / Date	Remark
2016 – 12 - 19	Clutch assy corrected.

IPL updates

Page Title	Ref. no	New part no	Name	Excl. part no.	Remark
Clutch & Oilpump	1	530 01 49-49	Clutch assy	575 56 80-01	Remain as spare part for other products.
Clutch & Oilpump	2	530 09 41-88	Clutch spring	574 71 88-01	Remain as spare part for other products.
Clutch & Oilpump	9	530 01 56-11	Washer		New spare part.

1. Clutch assy.



530 01 49-49



575 56 80-01



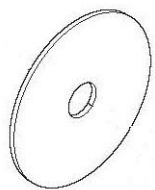
530 09 41-88



574 71 88-01



Illustrated Parts List - IPL Update



530 01 56-11 (Added)